



Toilet Cubicle Installation Guide



pendle toilet cubicles

Pendle is a box packed cubicle system comprising of **BOX A** (Door Pack) and **BOX B** (Partition Pack). Pendle packs contain all the necessary panels and fittings to construct almost any configuration of cubicle commonly in use (see diagrams below).

Panels are durable Melamine Faced Chipboard (MFC) with 2.0mm PVC protective edging. *MFC is not suitable for use in shower areas.*

We advise that while installing Pendle Cubicles appropriate PPE is worn and manual handling operation regulations are followed.

READ THIS BEFORE YOU BEGIN

BEFORE you start, please ensure you have the correct number and type of boxes. Open only one box at a time and immediately check contents against the diagram on the opposite page. Also refer to the list to the right and check you have the correct tools before proceeding to install.

When fixing the wall channels, it is the responsibility of the installer to identify and provide suitable means of fixing the channels to the wall, as this may vary, according to the different nature / construction of existing walls and partitions.

FOR THIS REASON NO WALL SCREWS ARE SUPPLIED

Liability is limited to replacement of components due to manufacturing defect, and only if notified to us within **3 working days** of purchase.

YOU WILL NEED



Spirit Level



Wood Saw



Metal Saw



Drill with 6.5mm & 9.5mm drill bits



Pencil



Screw Driver (+)



Screw Driver (-)



Tape Measure



PVA Glue or Silicone



Allen Key 4 & 5mm

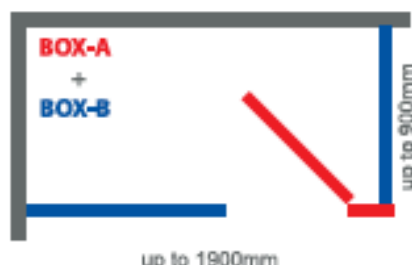
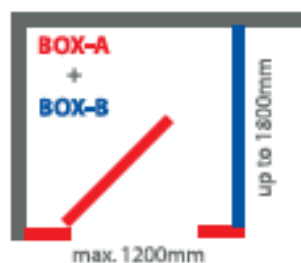
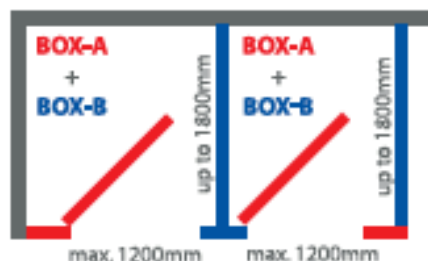
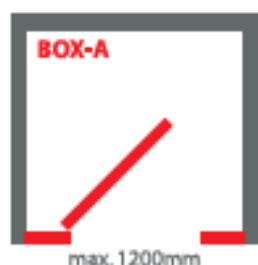
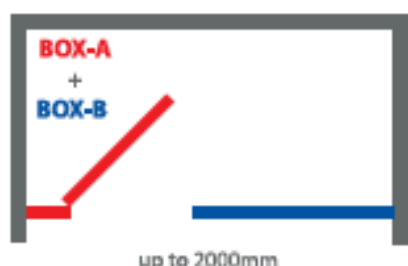


Wall Fixings

TYPICAL CONFIGURATIONS

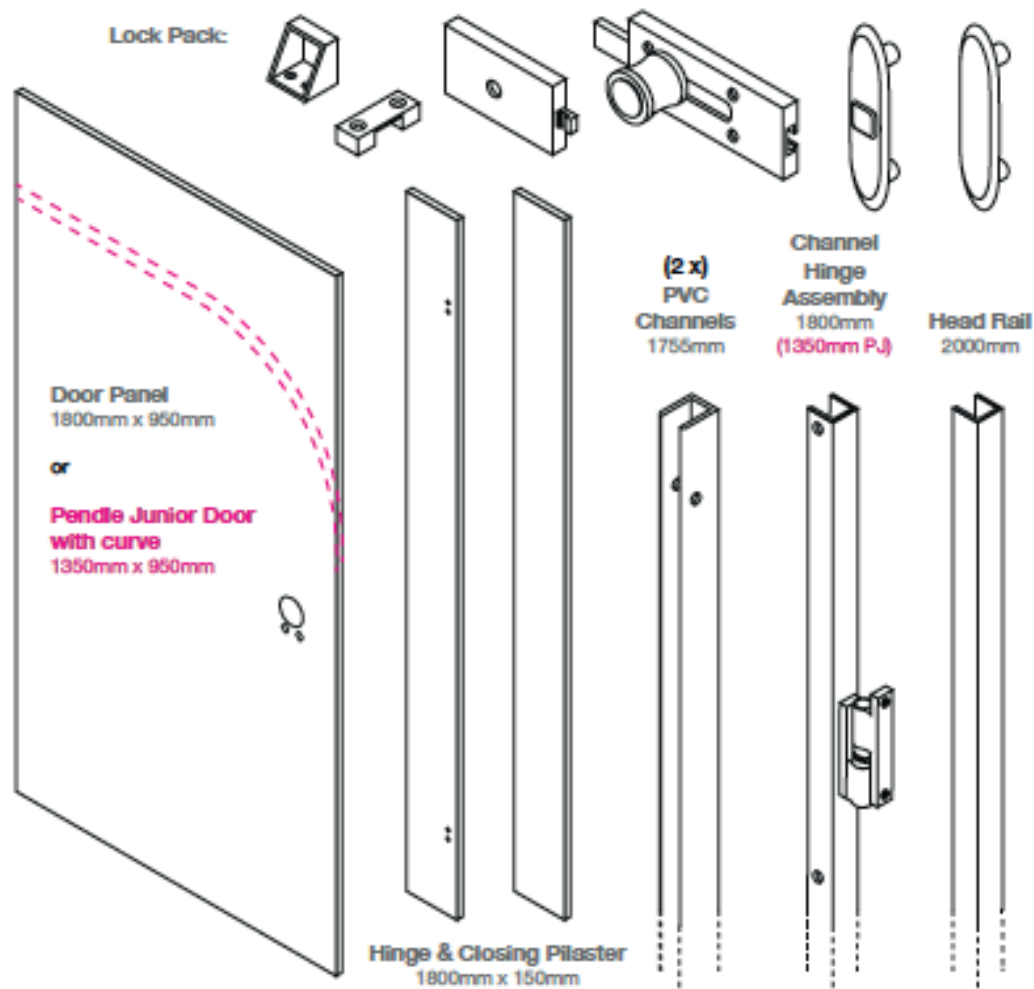
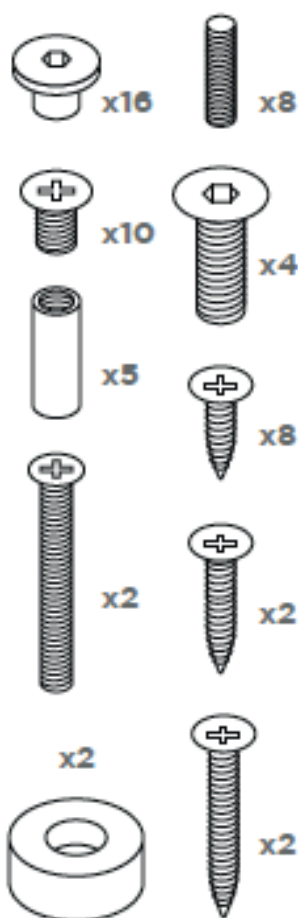
Here are some typical configurations for the Pendle washroom cubicles.

BOX-A 
BOX-B 

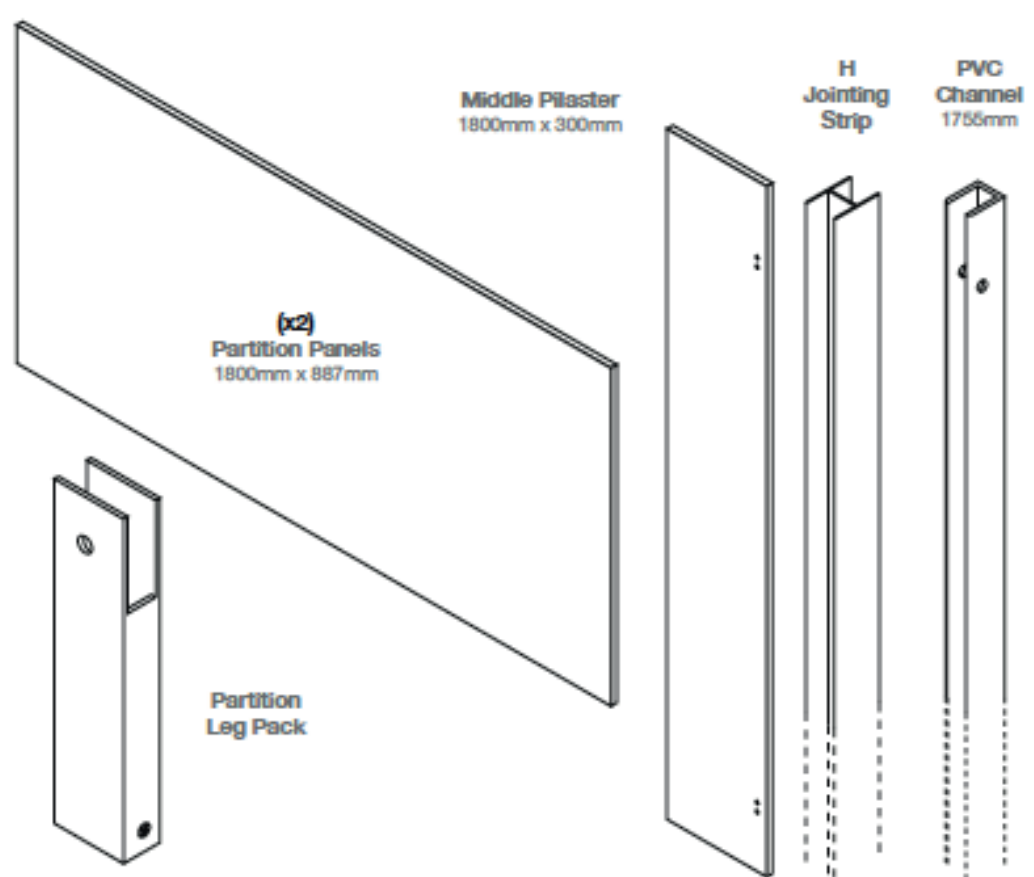
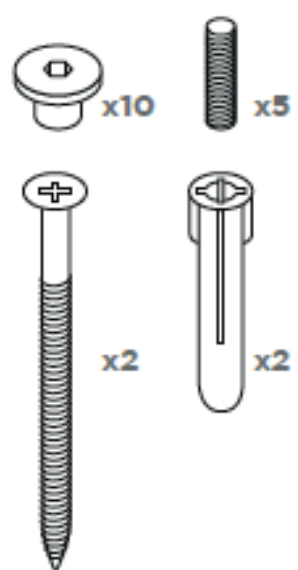


BOX CONTENTS

BOX A



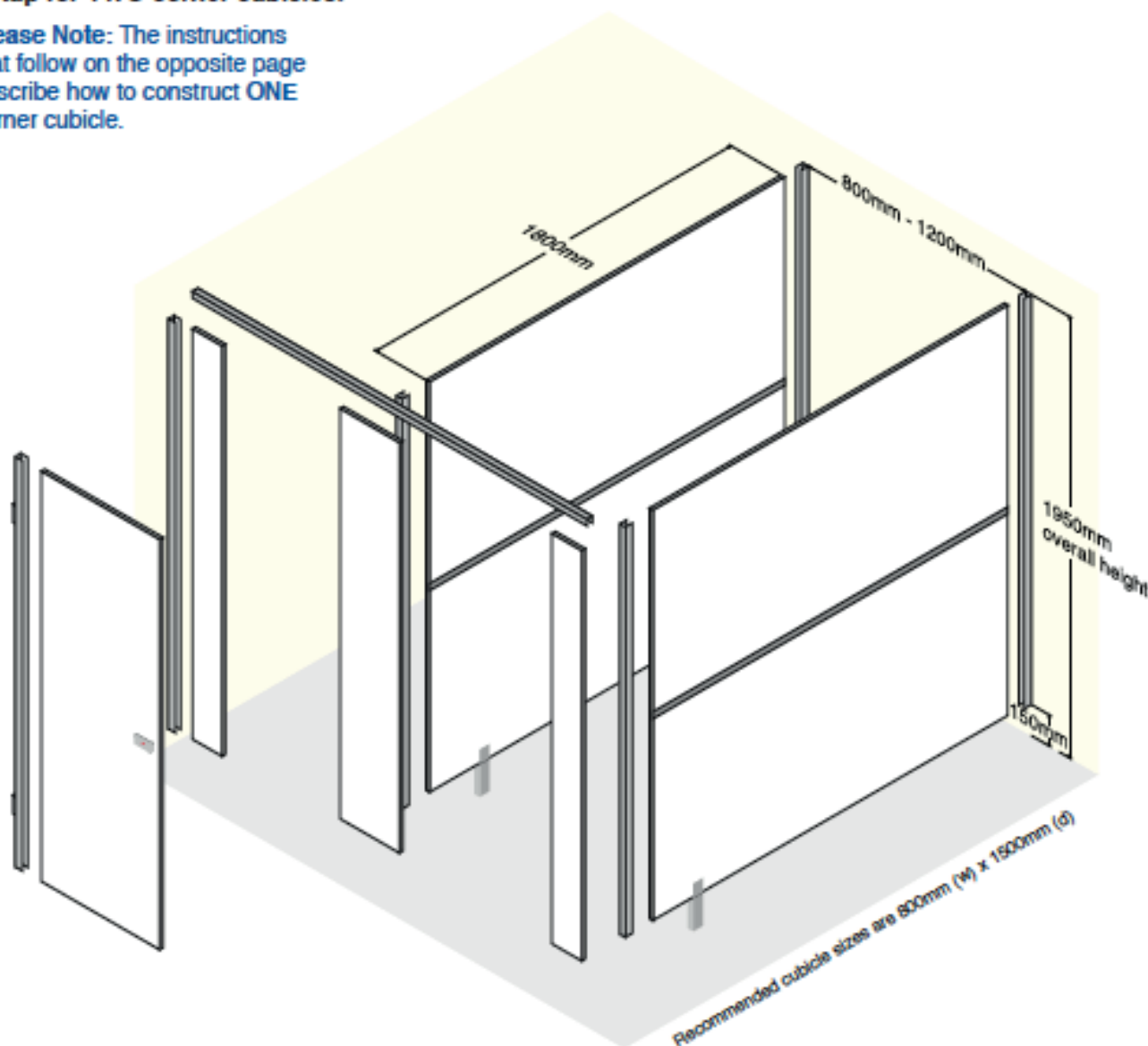
BOX B



CONFIGURATION OVERVIEW

This configuration overview shows the setup for TWO corner cubicles.

Please Note: The instructions that follow on the opposite page describe how to construct ONE corner cubicle.



BEFORE INSTALLING

- Make sure all contents are accounted for. See "Box Contents" page for full list.
- Make sure all required tools are present. See "You Will Need" section for full list.
- Ensure all verticals are plumb, and all horizontals are level.
- Plan out and measure area before beginning with installation. See "Typical Configurations" section or the "Configuration Overview" above for details.

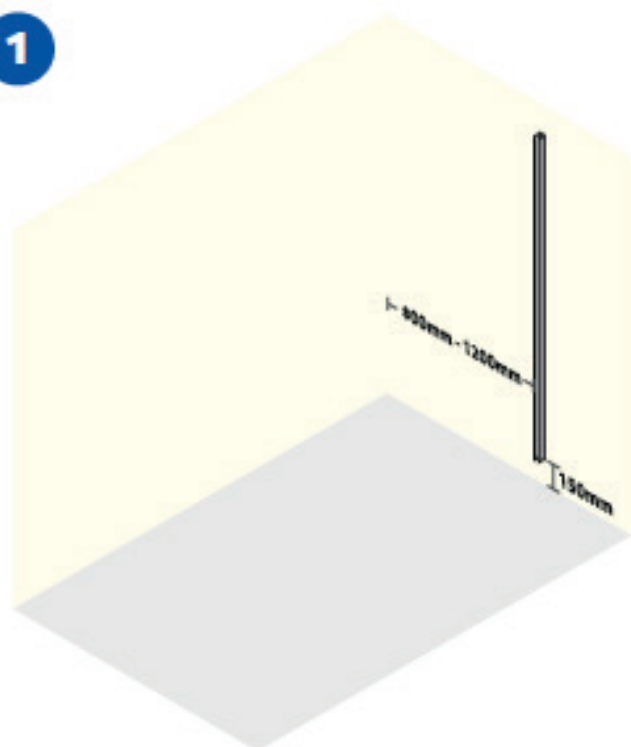
Visit website for further information and details of other Pendle products.

PLEASE NOTE

While the fitting instructions are very similar for Pendle and Pendle Junior cubicles, there are some important differences to make note of before you proceed with installation.

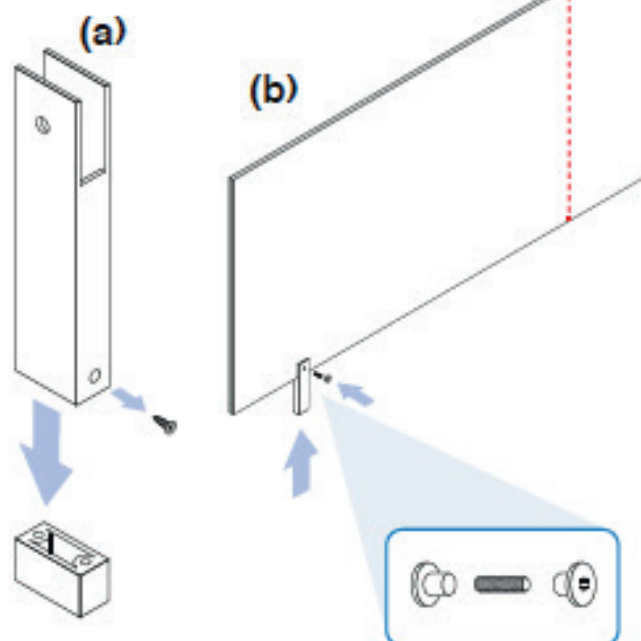
Pendle Junior Important Differences:

- The door is curved in one corner and the height is slightly shorter than the standard Pendle (1350mm).
- The Channel Hinge Assembly is shorter (1350mm) to accommodate the door height.
- The pre-drilled holes in the pilasters will be at different heights to accommodate the Pendle Junior door.

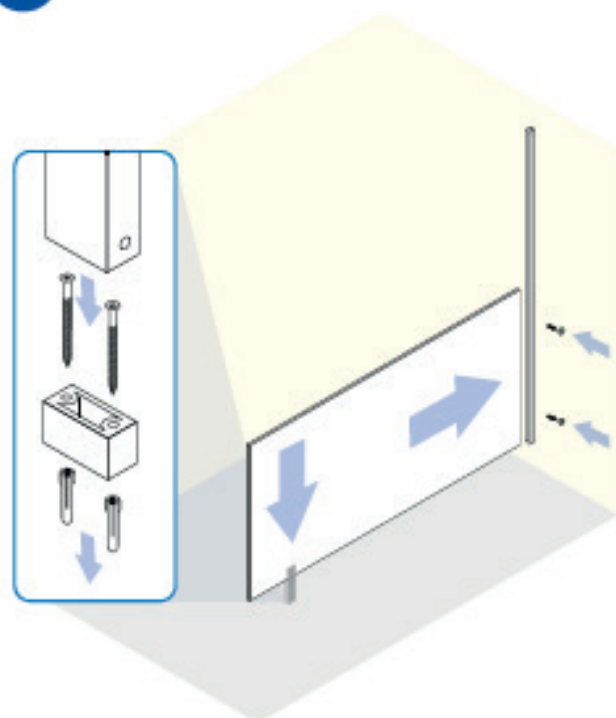
1

Attached the PVC wall channel to the back wall at the desired width of the the cubicle using your own appropriate wall fixtures. The bottom of the wall channel should be set 150mm above floor level.

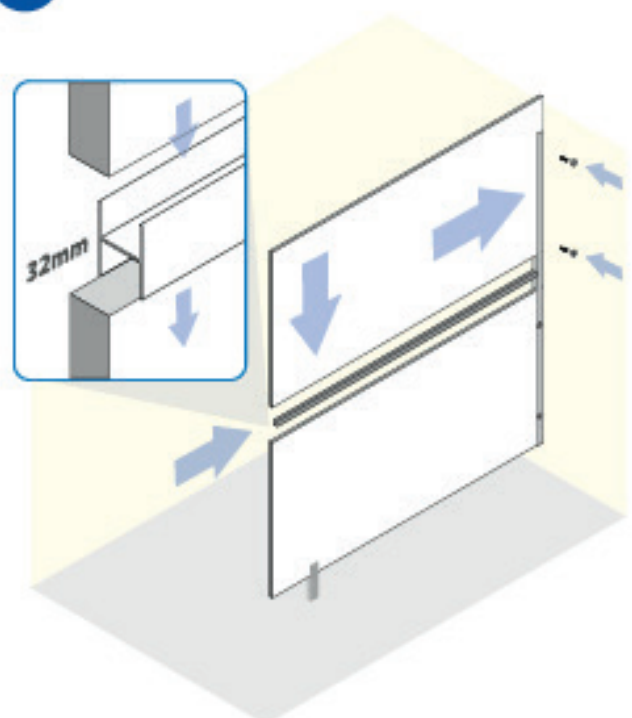
IMPORTANT: Recommended width for cubicles is between 800mm - 1200mm max.

2

(a) Remove base from the leg. Attach the leg to the partition panel between 100mm - 200mm from the front.
(b) Take the partition panel and (if required) cut down the short edge for desired depth of the cubicle. Ensure the cut is vertical and apply PVA glue or silicone to protect cut edge.

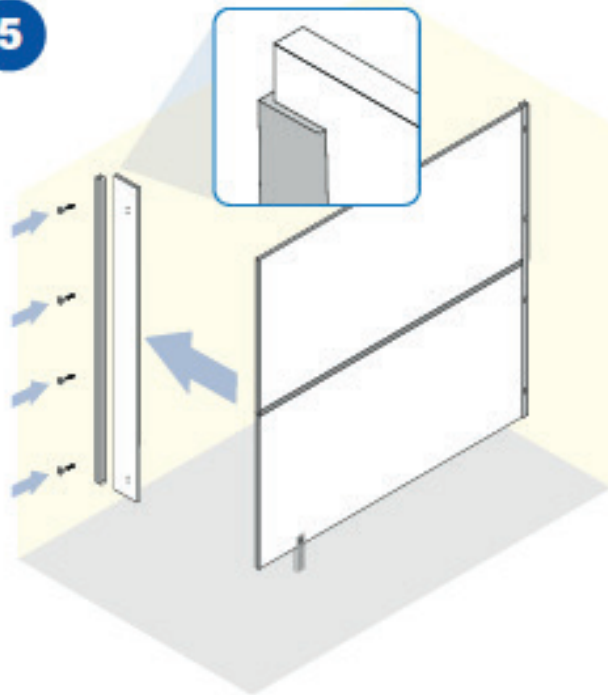
3

Fix the leg base to the floor using the longs screws and plugs, ensuring it is the correct level and distance from the wall. Push the partition panel with fixed leg into the wall channel. Using the pre-drilled holes as guides, drill through the same partition and fit two complete T-nut fixings to secure.

4

Take the H-Jointing strip and fit along the top edge of the partition, pushing it to meet the wall channel at the back. Trim to length required, taking off an extra 32mm at the front for the PVC channel that will be fitted later. Place the other partition panel in the H-jointing strip and fix to wall channel.

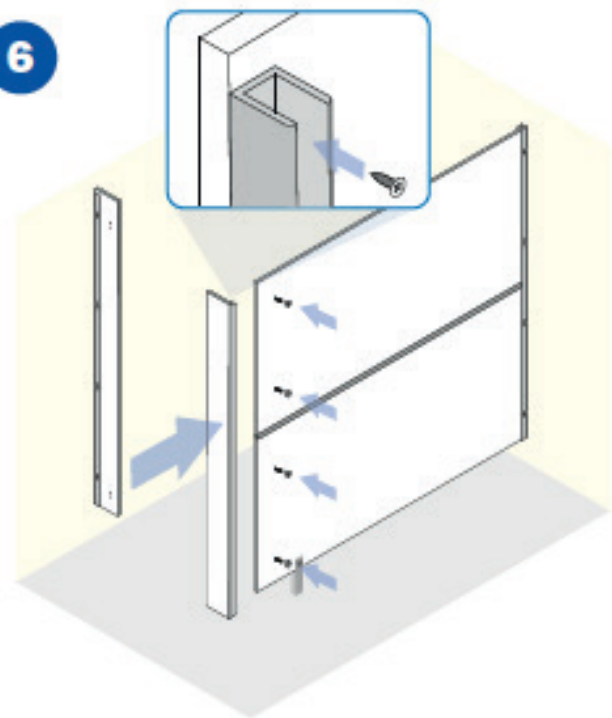
5



Attach the PVC wall channel to the end wall in line with the outer edge of the partition panels (follow step 1). Decide which side of the cubicle you want the door attached to. Then attach the relevant pilaster (hinge pilaster is shown in the diagram) to the wall channel using T-nuts.

IMPORTANT: Ensure the hinge pilaster is aligned with the bottom of the channel so there is room to attach the head rail at the top later.

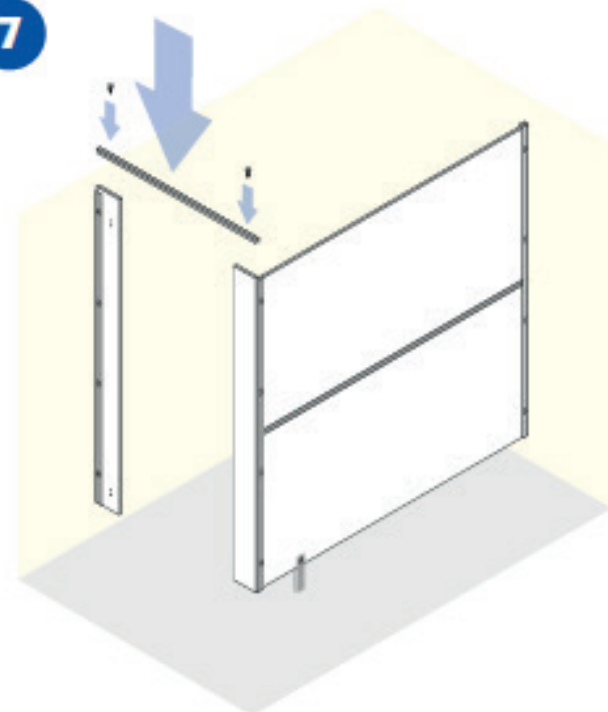
6



Attached the PVC channel to the outer edge of the closing pilaster with the 15mm screws. Position the pilaster onto the front edge of the partition. Drill through and fix in place with T-nuts.

IMPORTANT: For multiple cubicle configurations, attach the PVC channel to the centre of the middle pilaster (see Configuration Overview page for details).

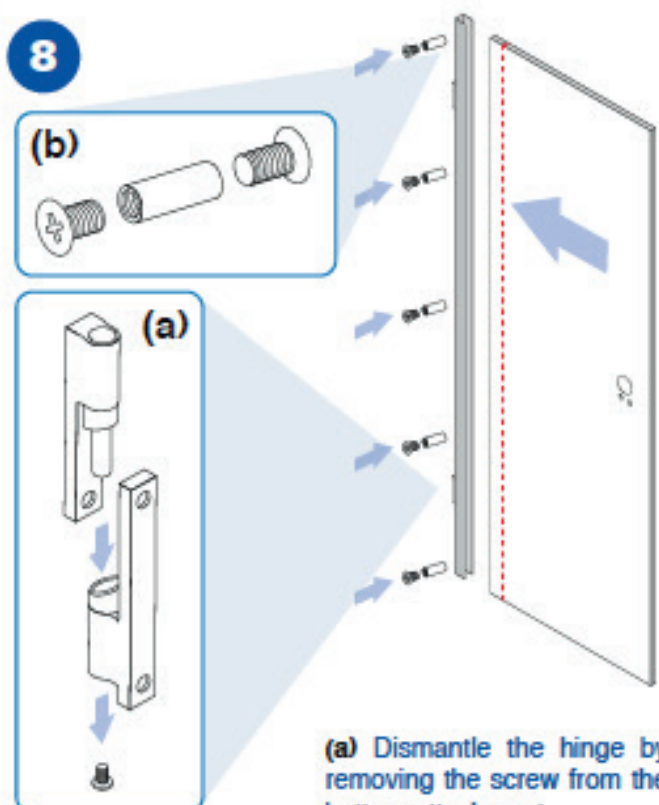
7



Cut the head rail down to the correct size so it sits on top of the pilasters. Fit the head rail on the top of the pilaster panels, fixing down using two 15mm screws.

IMPORTANT: If fitting multiple cubicles cut the head rail down so the joint lines up with the centre of the middle pilaster.

8

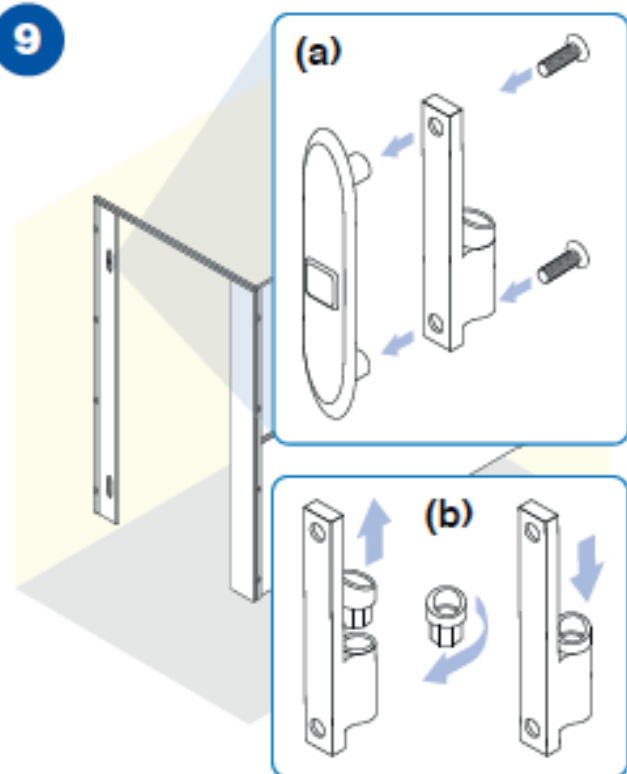


(a) Dismantle the hinge by removing the screw from the bottom attachment.

(b) If required cut the door to size on the hinge end sealing with PVC glue or silicone. Then attach the cut edge to the hinge assembly.

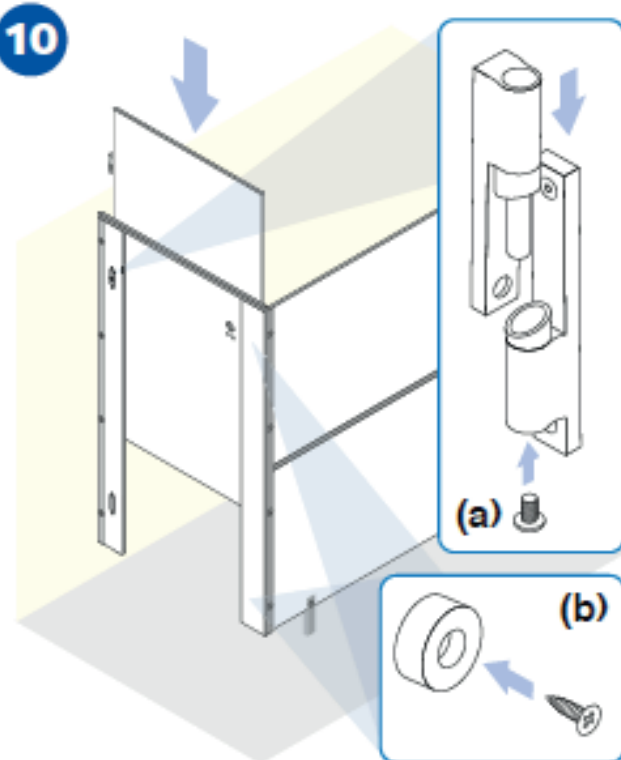
IMPORTANT: The width of the door needs to be door opening + 45mm (min).

9



- (a) Attach the loose part of the hinge to the pre-drilled holes in the hinge pilaster and secure with screws. For outward opening door place hinge on outer of the pilaster.
- (b) The door will fall open by default once attached. To adjust so the door will fall closed; remove, rotate by 90° and place the plastic insert as shown.

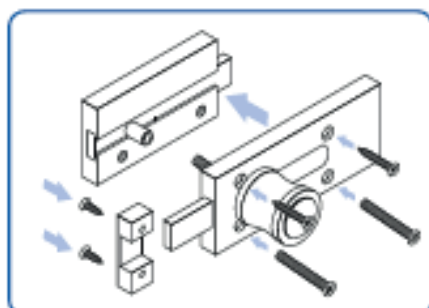
10



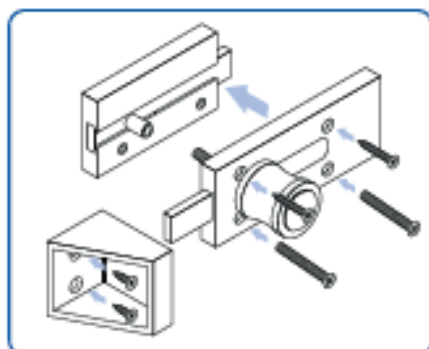
- (a) Hang the door and hinge assembly on the hinge pilaster making sure the hinge screw is then fitted.
- (b) Fix the two rubber door buffers with 19mm screws to the rear of the closing/middle pilaster where it makes contact with the door. Place them at the top and bottom.

11

Outward
opening
door



Inward
opening
door

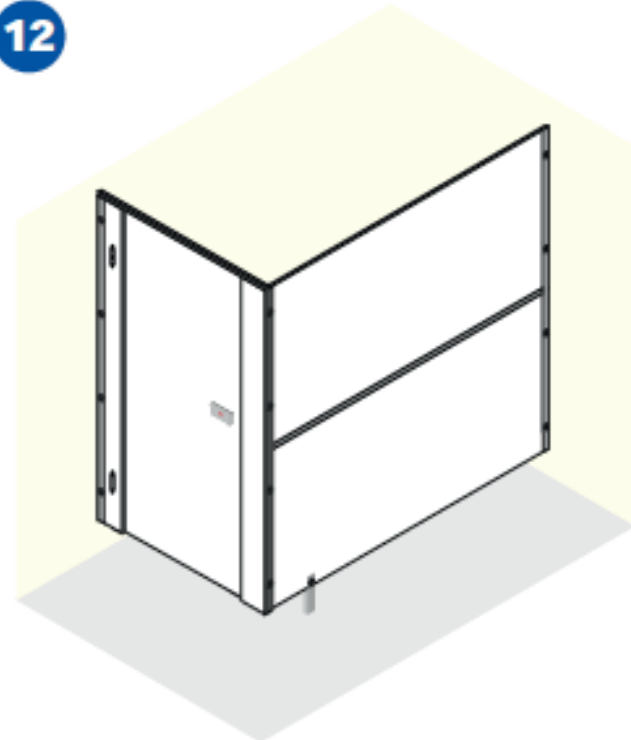


WARNING:
Do NOT use
power tools to
secure the fixings
as this could
damage the lock

The holes to accommodate the indicator bolt are pre-drilled in the door. Fix through the holes using the machine screws and 25mm screws. When the door is in the closed position, use the slide-bolt to mark the position for the keep and attach with 15mm screws.

IMPORTANT: If assembling an outward opening door, mark the position and attach the outward opening keep to the outer of the closing pilaster.

12



Test the door and locking mechanism to make sure it works correctly. Ensure all fixings are secure. Your corner Pendle cubicle will now be completed.

IMPORTANT: If installing multiple cubicles follow the steps before adjusting appropriately on steps 6 and 7. See Configuration Overview page for layouts.