

Robert Bosch GmbH
Power Tools Division
70745 Leinfelden-Echterdingen
Germany

www.bosch-pt.com

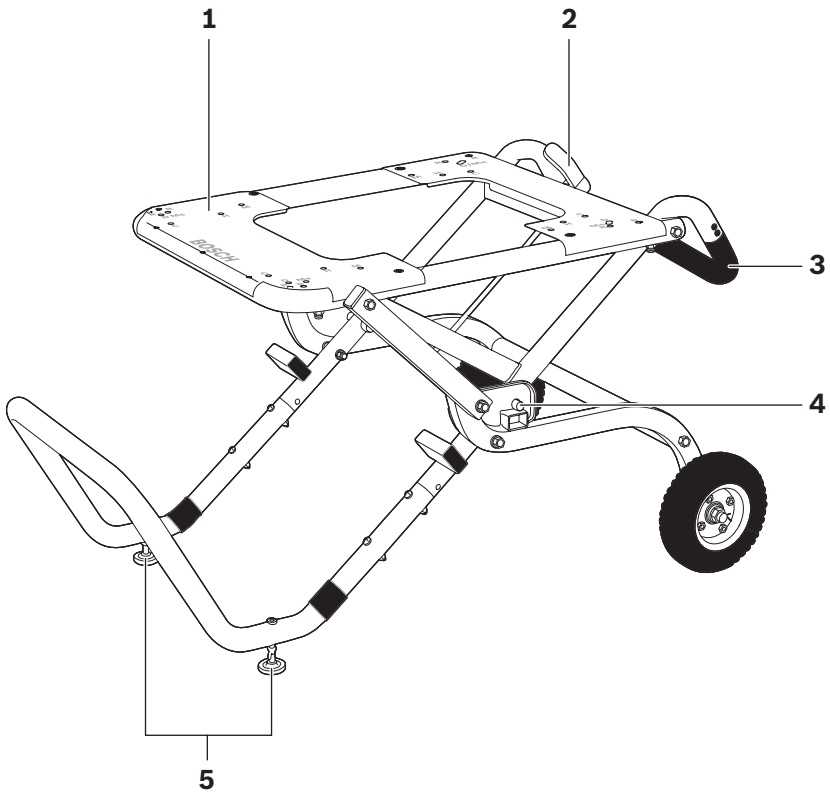
1 609 929 S18 (2009.02) PS / 136 **UNI**

GTA 60 W Professional

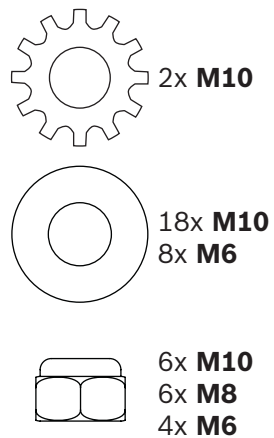
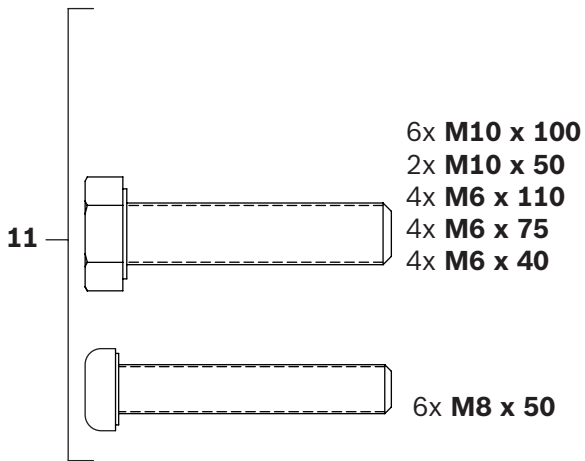
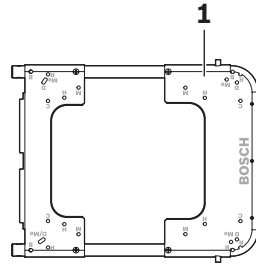
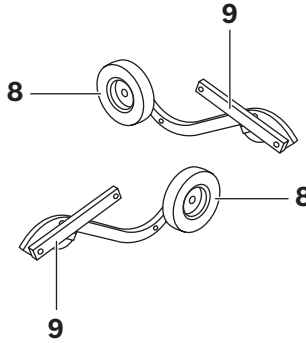
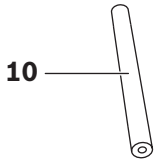
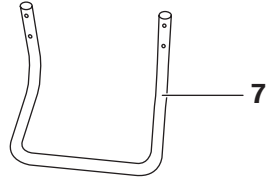
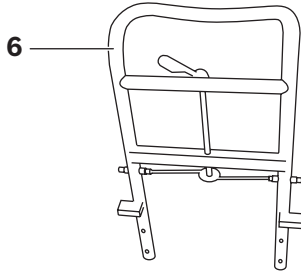


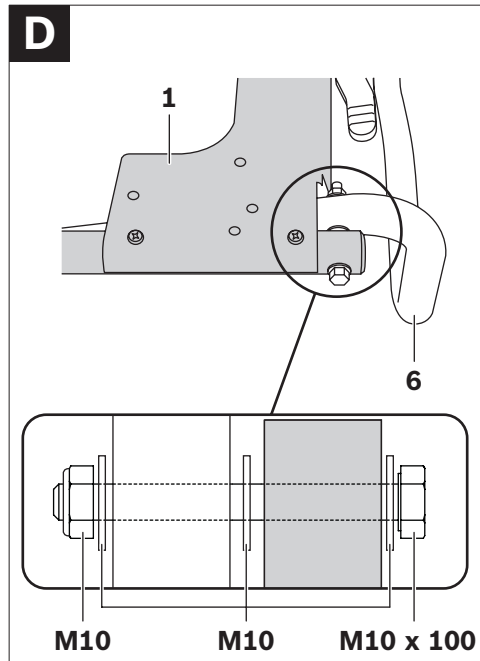
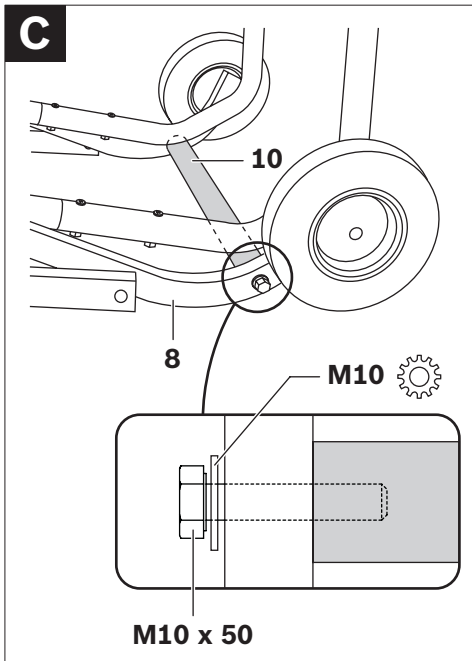
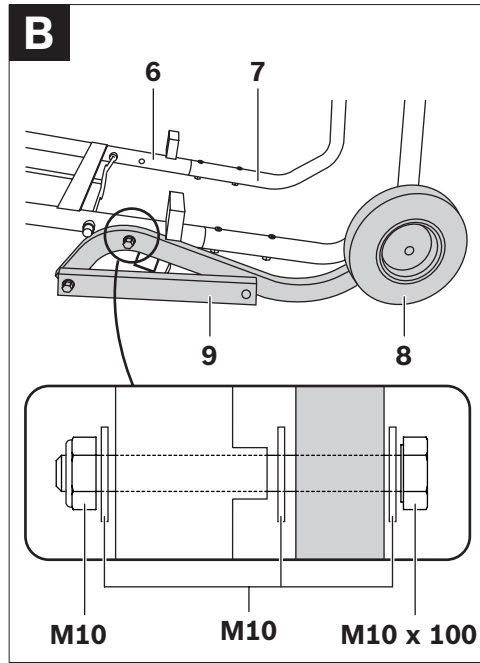
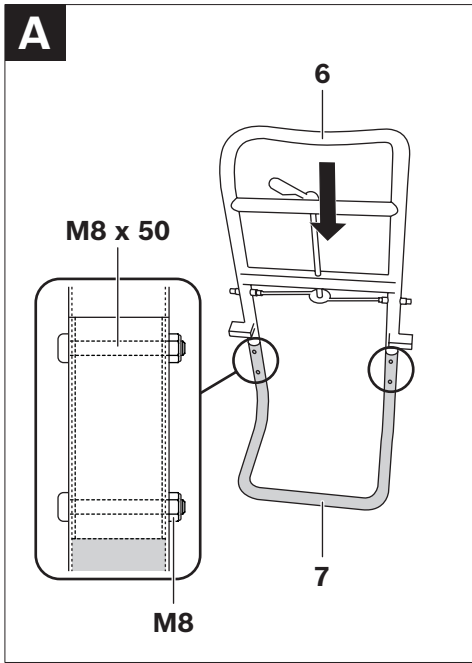
de Originalbetriebsanleitung	el Πρωτότυπο οδηγιών χρήσης	sr Originalno uputstvo za rad
en Original instructions	tr Orijinal işletme talimatı	sl Izvirna navodila
fr Notice originale	pl Instrukcja oryginalna	hr Originalne upute za rad
es Manual original	cs Původní návod k používání	et Algupärane kasutusjuhend
pt Manual original	sk Pôvodný návod na použitie	lv Instrukcijas oriģinālvalodā
it Istruzioni originali	hu Eredeti használati utasítás	lt Originali instrukcija
nl Oorspronkelijke gebruiksaanwijzing	ru Оригинальное руководство по эксплуатации	
da Original brugsanvisning	uk Оригінальна інструкція з експлуатації	
sv Bruksanvisning i original	ro Instrucțiuni originale	
no Original driftsinstruks	bg Оригинална инструкция	
fi Alkuperäiset ohjeet		



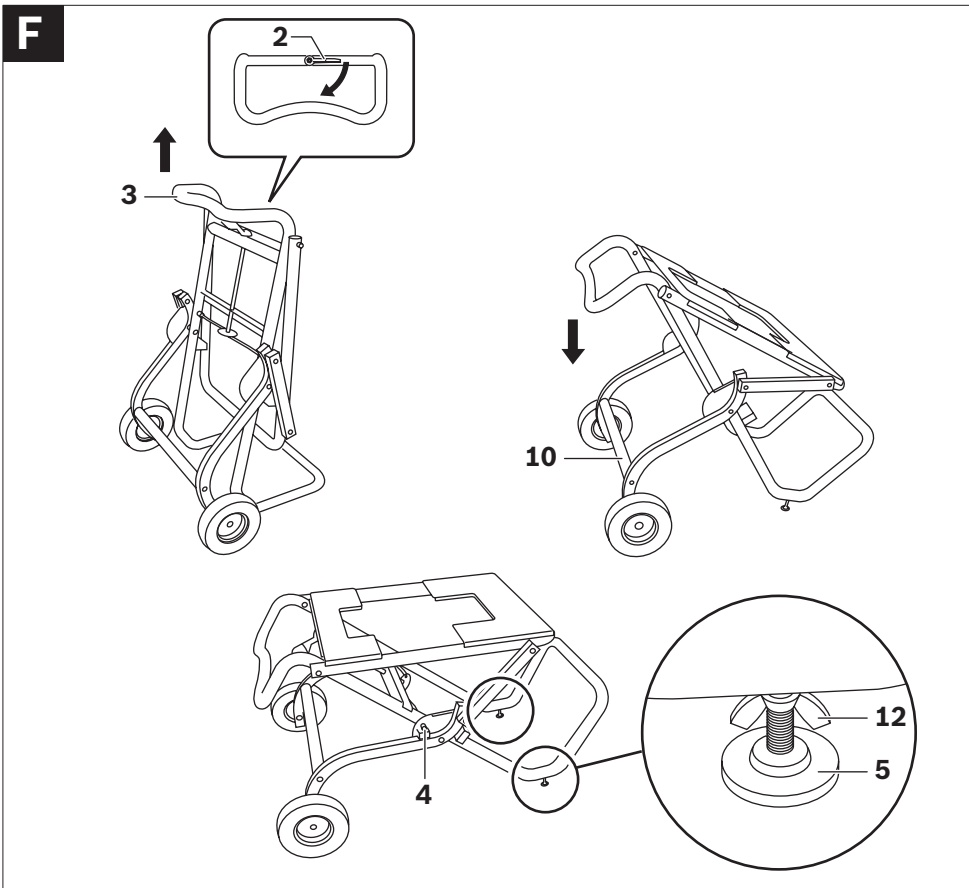
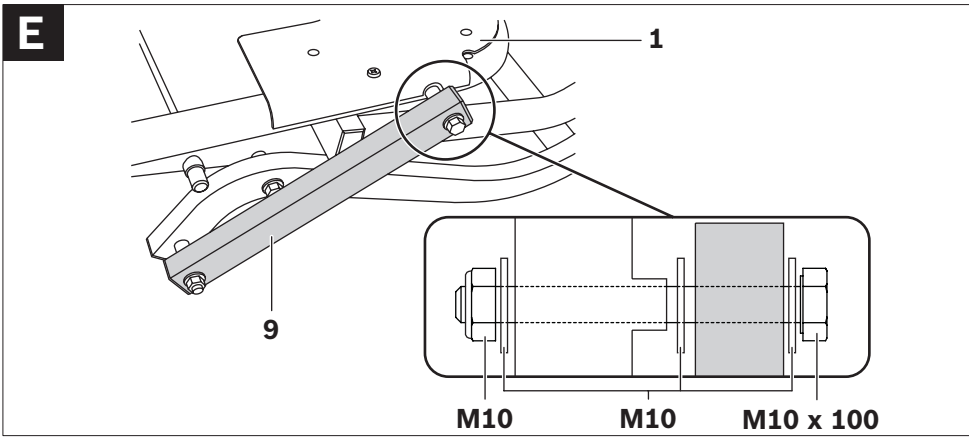


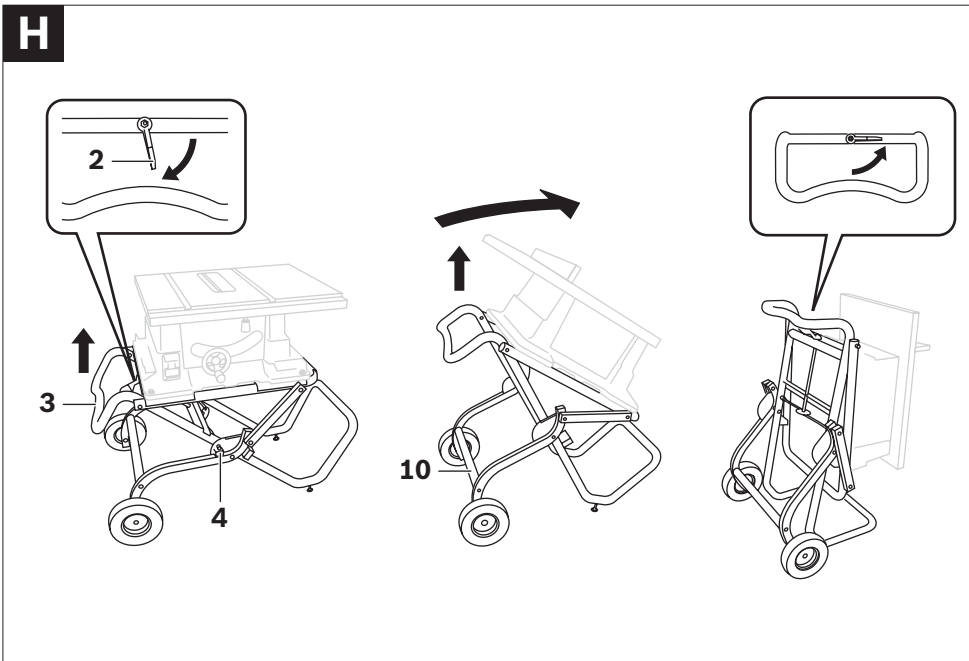
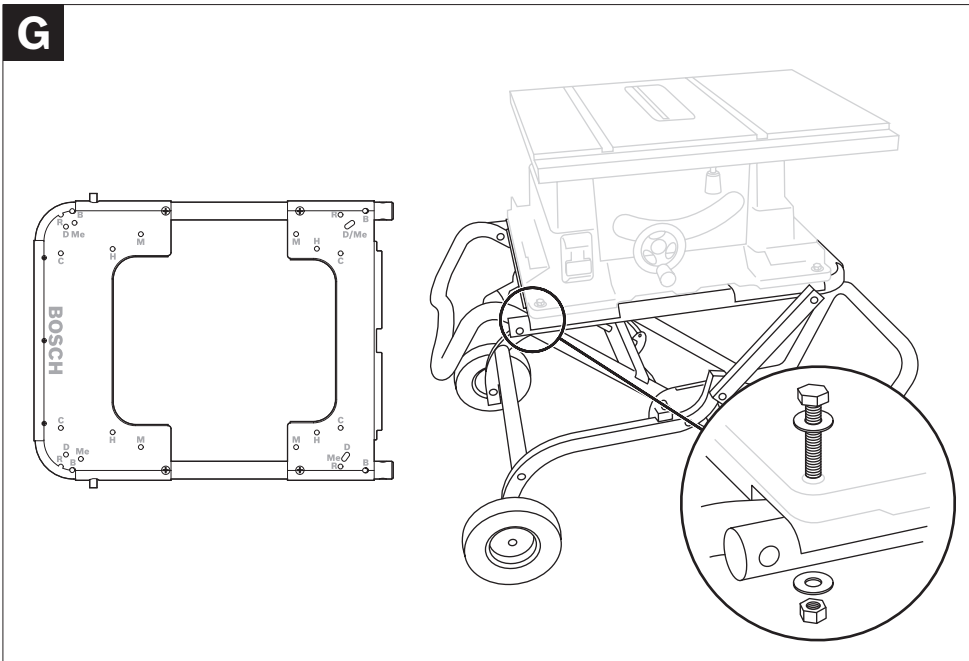
4 |





6 |





Safety Notes

General Safety Rules


⚠ WARNING Read all warning notes and instructions enclosed with the saw stand and the power tool to be mounted. Failure to follow the warnings and instructions may result in electric shock, fire and/or serious injury.

Safety Warnings for Saw Stands

- ▶ **Pull the plug from the mains receptacle and/or remove the battery from the power tool before making adjustments on the tool or changing tool accessories.** Unintentional switching on of the power tool is the cause of many accidents.
- ▶ **Assemble the saw stand in the proper manner before mounting the power tool.** Proper assembly is important to prevent the risk of a collapse of the saw stand.
- ▶ **Attach the power tool securely to the saw stand before using it.** Slipping off of the power tool on the saw stand can lead to loss of control.
- ▶ **Place the saw stand on a firm, level and horizontal surface.** If the saw stand can slip off or wobbles, the power tool or the workpiece cannot be uniformly and securely guided.
- ▶ **Do not overload the saw stand and do not use it as a ladder or scaffolding.** Overloading or standing on the saw stand can lead to the upward shifting of the centre of gravity of the stand and its tipping over.
- ▶ **When working or transporting, take care that all bolts and connecting elements are firmly tightened.** Loose connections can lead to instability and inexact sawing.
- ▶ **Mount and dismount the power tool only when it is in the transport position (for instructions on the transport position, also see the operating instructions of the respective power tool).** Otherwise, the power tool can have such an unfavourable centre of gravity that it cannot be held securely.
- ▶ **When the power tool is mounted to the mounting plate, operate it exclusively on the saw stand.** Without the saw stand, the mounting plate with the power tool does not stand securely and can tip over.
- ▶ **Ensure that long and heavy workpieces do not affect the equilibrium of the saw stand.** Long and/or heavy workpieces must be supported at the free end.
- ▶ **Keep your fingers clear of the hinge points while pushing the saw stand together or pulling it apart.** Danger of fingers being crushed or contused.

Symbols

The following symbols can be important for the operation of your saw stand. Please memorise the symbols and their meanings. The correct interpretation of the symbols helps you operate the saw stand better and more secure.

Symbol	Meaning
	The maximum carrying capacity (power tool + work-piece) of the saw stand is 180 kg.

Functional Description



Read all warning notes and instructions enclosed with the saw stand and the power tool to be mounted. Failure to follow the warnings and instructions may result in electric shock, fire and/or serious injury.

Intended Use

The saw stand is intended exclusively for mounting the following stationary Bosch saws (as of 2008.11):

- GTS 10 3 601 L30 0..

Together with the power tool, the saw stand is intended for the cutting to length of boards and profiles.

The saw stand is also suitable for various competitor products (see page 16).

Product Features

The numbering of the product features refers to the illustration of the saw stand on the graphics pages.

- 1 Mounting plate
- 2 Lock for the wheels **8**
- 3 Handle
- 4 Limit bolt
- 5 Height-adjustable leg
- 6 Upper frame with lock **2**
- 7 Bottom frame
- 8 Wheel
- 9 Linkage bar
- 10 Foot lever
- 11 Fastening kit
- 12 Wing nut

***Accessories shown or described are not part of the standard delivery scope of the product. A complete overview of accessories can be found in our accessories program.**

Technical Data

Saw stand	GTA 60 W Professional	
Article number		3 601 M12 000
Height of saw stand	mm	622
Max. carrying capacity (power tool + work-piece)	kg	180
Weight according to EPTA-Procedure 01/2003	kg	35

Assembly

Delivery Scope



Please also observe the representation of the delivery scope at the beginning of the operating instructions.

Before assembling the saw stand, check if all parts listed below are provided:

No.	Designation	Quantity
1	Mounting plate	1
6	Upper frame with lock 2	1
7	Bottom frame	1
8	Wheel with linkage bar 9	2
10	Foot lever	1
11	Fastening kit consisting of:	
	– Hexagon bolt	
	M10 x 100	6
	M10 x 50	2
	M6 x 110	4
	M6 x 75	4
	M6 x 40	4
	– Phillips screw	
	M8 x 50	6
	– Washer	
	M10	18
	M10 (clamping washer)	2
	M6	8
	– Lock nut	
	M10	6
	M8	6
	M6	4

Additionally required tools (not in delivery scope):

- Phillips screwdriver
- Open-end spanner (10 mm, 8 mm, 6 mm)

Assembling the Mobile Stand Base

- Carefully remove all parts included in the delivery from their packaging.
- Remove all packaging material.
- For assembly, follow figures A–E. Also observe the following notes.

For Fig. A:

- Bolt the upper frame **6** and the bottom frame **7** together.

For Fig. B:

- Screw both the left and right wheel **8** to the upper frame **6**.

Pay attention that the linkage bars **9** face outward and that the tires of the wheels face toward the bottom frame **7**.

Note: Do not over-tighten the nuts. Parts bolted together must move freely.

For Fig. C:

- Bolt the foot lever **10** to both wheels **8**.

For Fig. D:

- Screw the mounting plate **1** on both sides to the upper frame **6**.

Note: Do not over-tighten the nuts. Parts bolted together must move freely.

For Fig. E:

- Bolt the left and right linkage bar **9** each to the mounting plate **1**.

Note: Do not over-tighten the nuts. Parts bolted together must move freely.

Preparing the Saw Stand

Setting Up the Saw Stand (see figure F)

Before fastening the power tool, the stand base must be pulled apart.

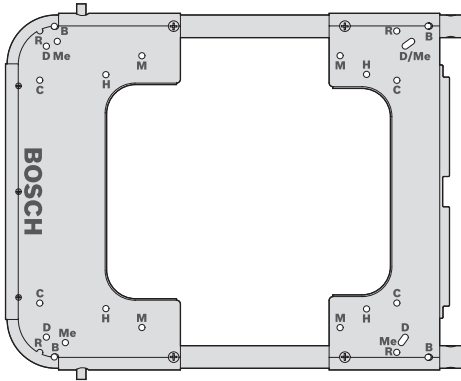
- To relieve the limit bolts **4**, lightly pull the saw stand upward by the handle **3**.
- Release lock **2**.
This pulls back the limit bolts that lock the wheels in place.
- Position one foot on the foot lever **10** and push the handle **3** downward with both hands until the limit bolts engage again.
- Close the lock **2**.

The height-adjustable legs **5** are used for leveling the saw stand.

- Loosen lock nut **12** and screw the legs in or out until the saw stand is aligned level.

Fastening the Power Tool to the Mounting Plate (see figure G)

The mounting plate **1** is universally usable. With the varying mounting holes, both Bosch power tools as well as other brands can be mounted to the saw stand.



Brand	Model	Mounting hole
Bosch	GTS 10	B
DeWALT	DW744XP	D
Metabo	TS 250	Me
Makita	2703	M
Hitachi	C 10 R A 2	H

- Position the power tool onto the matching mounting holes.
- Screw the mounting plate and the power tool together with the fitting bolts, washers and nuts.

Operation

Working Advice

Do not overload the saw stand. Always observe the maximum carrying capacity of the saw stand.

Before working, always make sure that the lock **2** is closed.

Always hold the workpiece firmly, especially the longer and more heavy section. After cutting through the workpiece, the centre of gravity may become dislocated in such an unfavourable manner that the saw stand tips over.

Transport

The stand base must be folded together for transport. (see figure H)

- To relieve the limit bolts **4**, lightly push the saw stand downward by the handle **3**.
- Release lock **2**.
This pulls back the limit bolts that lock the wheels in place.
- Position one foot on the foot lever **10** and push the handle **3** upward with both hands until the limit bolts can engage again.
- Close the lock **2**.

Maintenance and Service

Maintenance and Cleaning

If the saw stand should fail despite the care taken in manufacture and testing, repair should be carried out by an authorised customer services agent for Bosch power tools.

In all correspondence and spare parts orders, please always include the 10-digit article number given on the type plate of the saw stand.

Wheel Inflation Pressure

The wheels are provided with an inflation pressure of 1.7–2 bar. The maximum wheel inflation pressure is 2.5 bar.

After-sales Service and Customer Assistance

Our after-sales service responds to your questions concerning maintenance and repair of your product as well as spare parts. Exploded views and information on spare parts can also be found under:

www.bosch-pt.com

Our customer consultants answer your questions concerning best buy, application and adjustment of products and accessories.

Great Britain

Robert Bosch Ltd. (B.S.C.)
P.O. Box 98
Broadwater Park
North Orbital Road
Denham
Uxbridge
UB 9 5HJ
Tel. Service: +44 (0844) 736 0109
Fax: +44 (0844) 736 0146
E-Mail: SPT-Technical.de@de.bosch.com

Ireland

Origo Ltd.
Unit 23 Magna Drive
Magna Business Park
City West
Dublin 24
Tel. Service: +353 (01) 4 66 67 00
Fax: +353 (01) 4 66 68 88

Australia, New Zealand and Pacific Islands

Robert Bosch Australia Pty. Ltd.
Power Tools
Locked Bag 66
Clayton South VIC 3169
Customer Contact Center
Inside Australia:
Phone: +61 (01300) 307 044
Fax: +61 (01300) 307 045
Inside New Zealand:
Phone: +64 (0800) 543 353
Fax: +64 (0800) 428 570
Outside AU and NZ:
Phone: +61 (03) 9541 5555
www.bosch.com.au

Disposal

The saw stand, accessories and packaging should be sorted for environmental-friendly recycling.

Subject to change without notice.