



Robert Bosch GmbH

Power Tools Division
70745 Leinfelden-Echterdingen
Germany

www.bosch-pt.com

1 609 929 T64 (2011.06) PS / 92 UNI



1 609 929 T64

PTA 2400

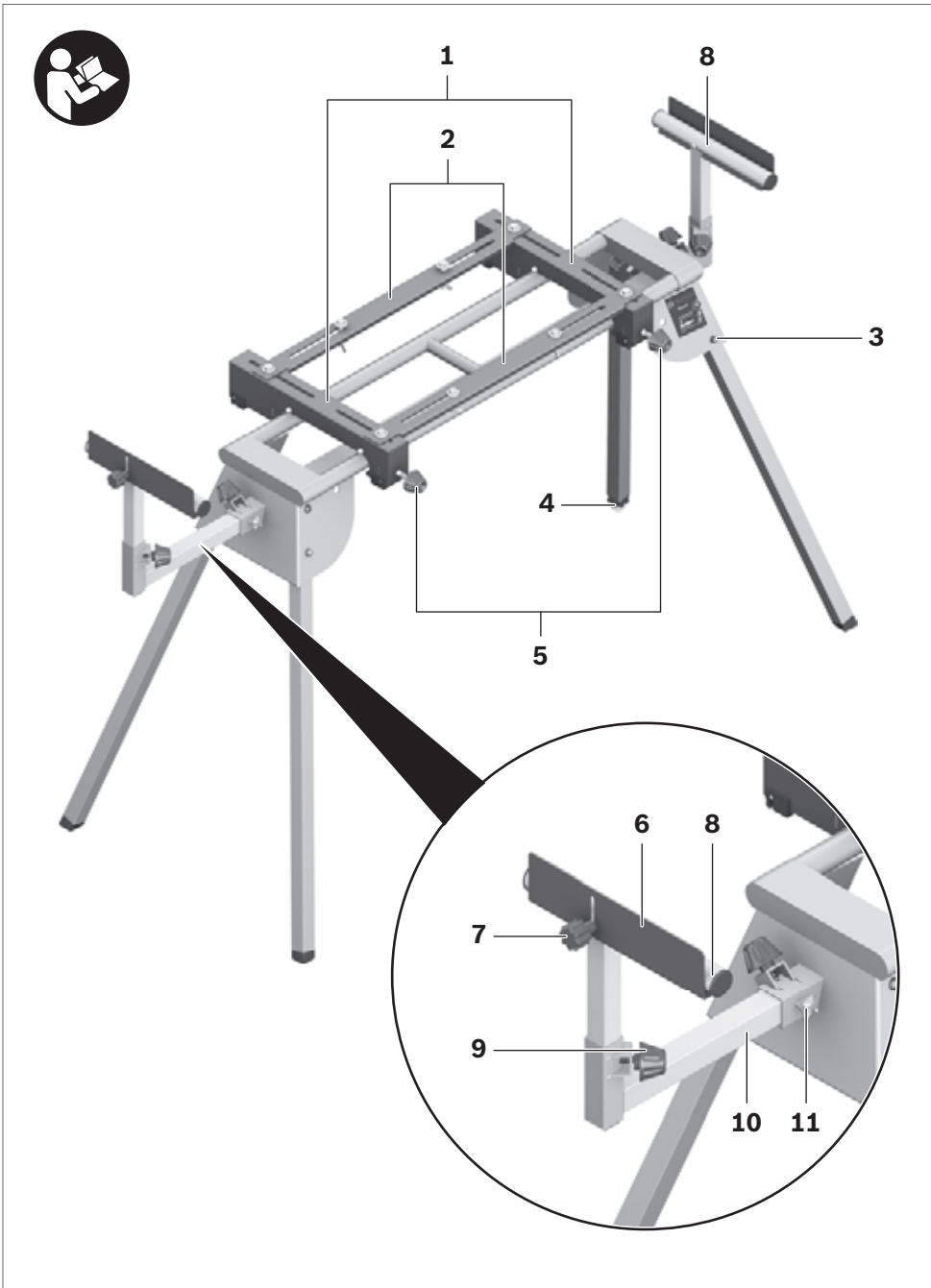
 **BOSCH**

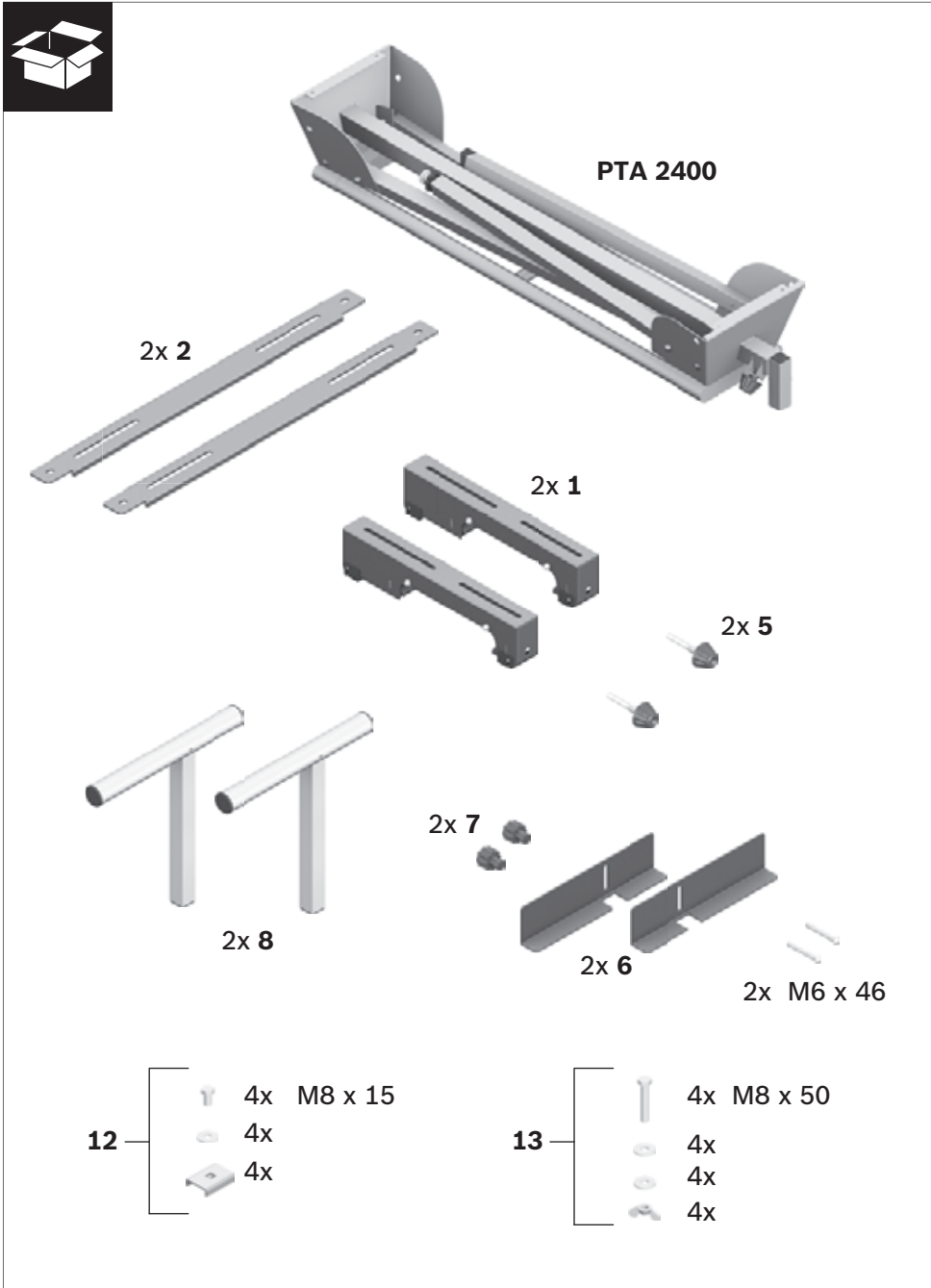
de Originalbetriebsanleitung
en Original instructions
fr Notice originale
es Manual original
pt Manual original
it Istruzioni originali
nl Oorspronkelijke
gebruiksaanwijzing
da Original brugsanvisning
sv Bruksanvisning i original
no Original driftsinstruks
fi Alkuperäiset ohjeet

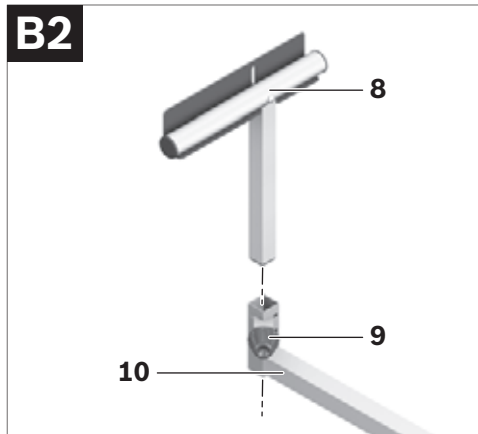
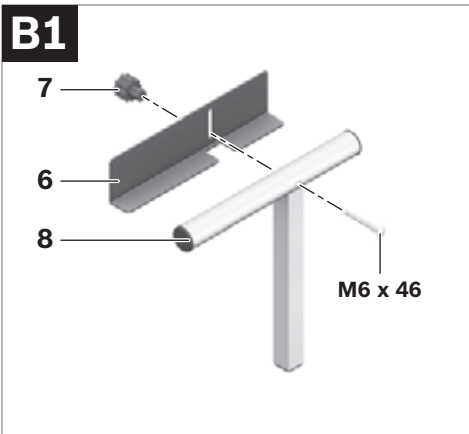
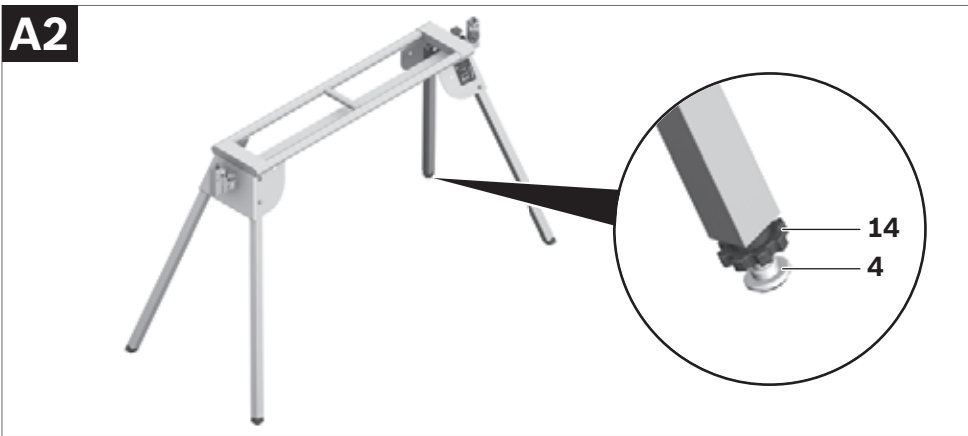
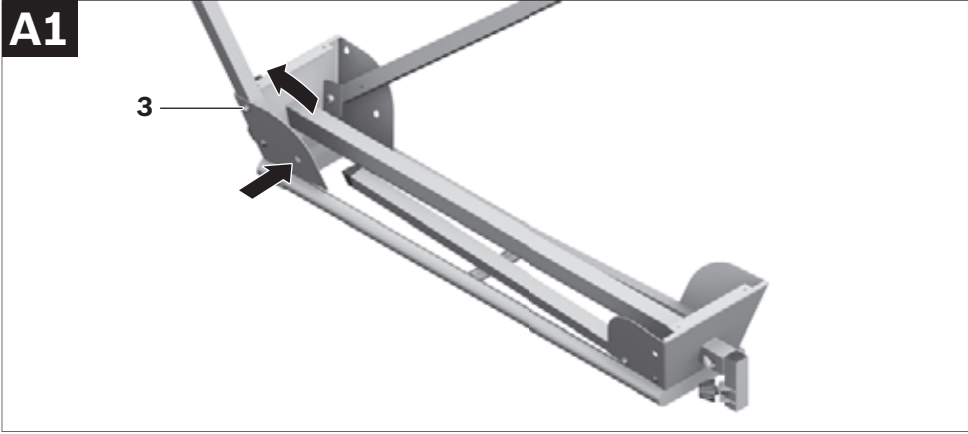
el Πρωτότυπο οδηγιών χρήσης
tr Orijinal işletme talimatı
pl Instrukcja oryginalna
cs Původní návod k používání
sk Pôvodný návod na použitie
hu Eredeti használati utasítás
ru Оригинальное руководство по
эксплуатации
uk Оригінальна інструкція з
експлуатації
ro Instrucțiuni originale
bg Оригинална инструкция

sr Originalno uputstvo za rad
sl Izvirna navodila
hr Originalne upute za rad
et Algupärane kasutusjuhend
lv Instrukcijas oriģinālvalodā
lt Originali instrukcija

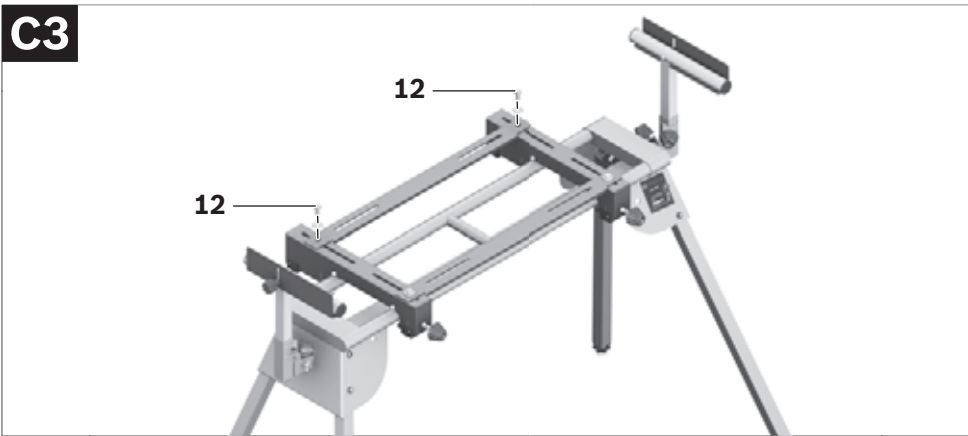
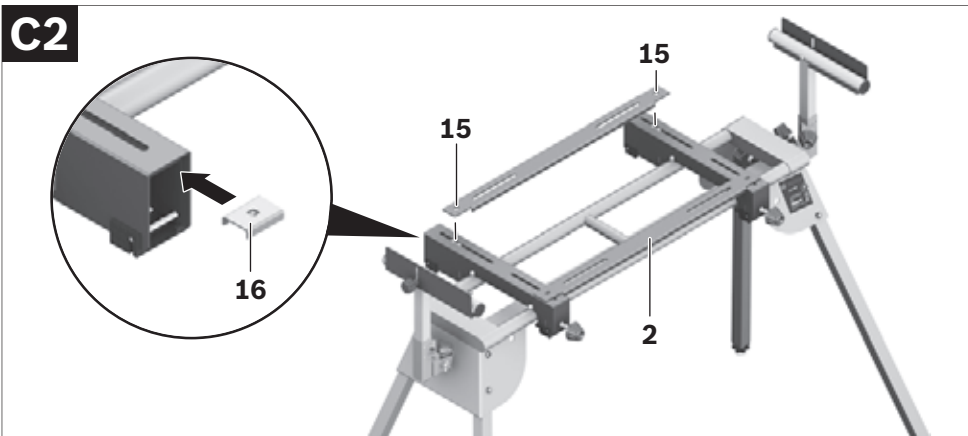
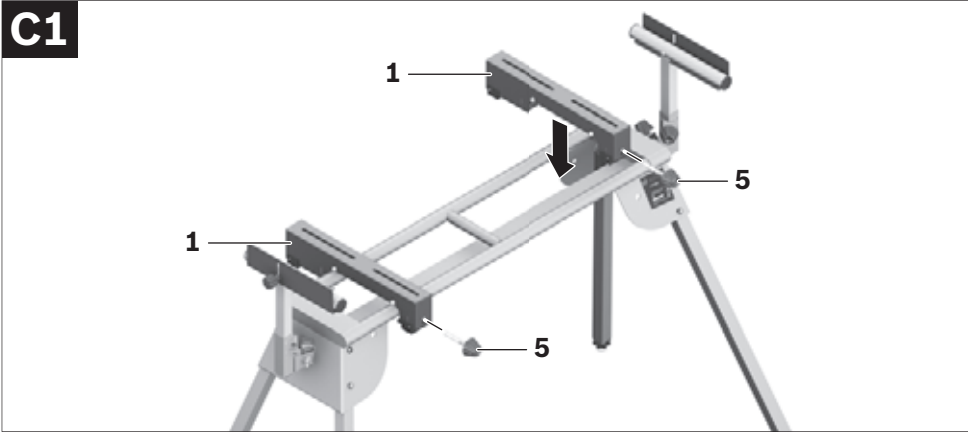




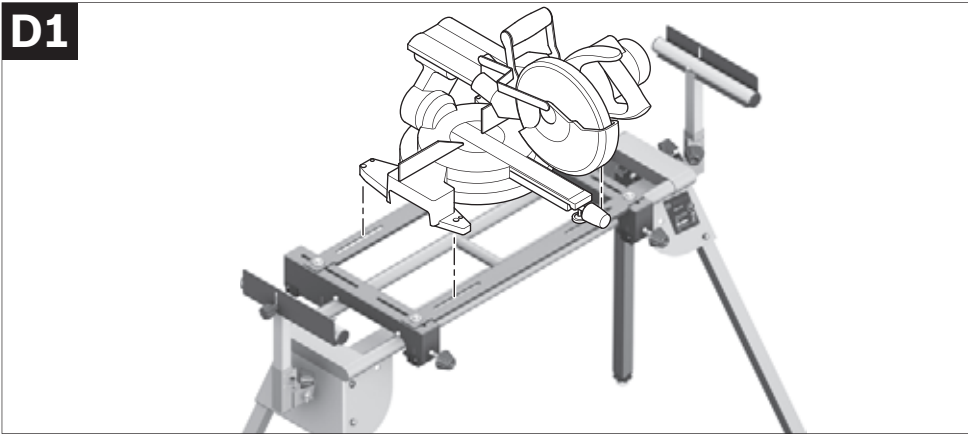




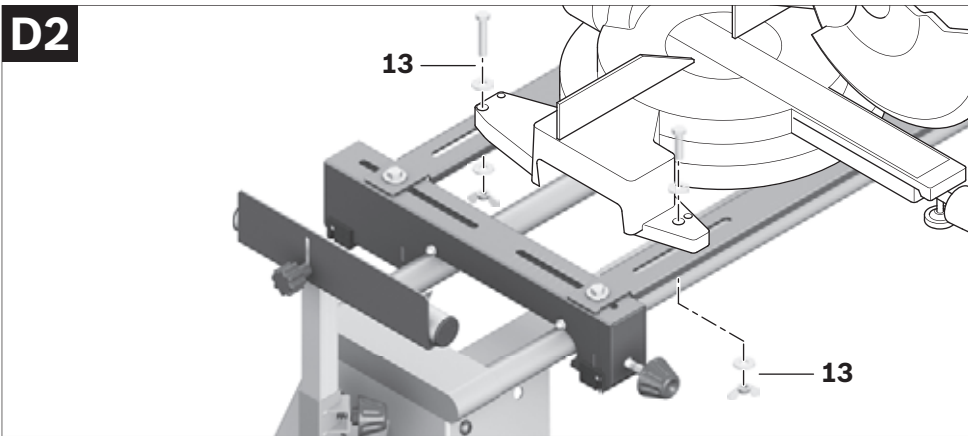
6 |



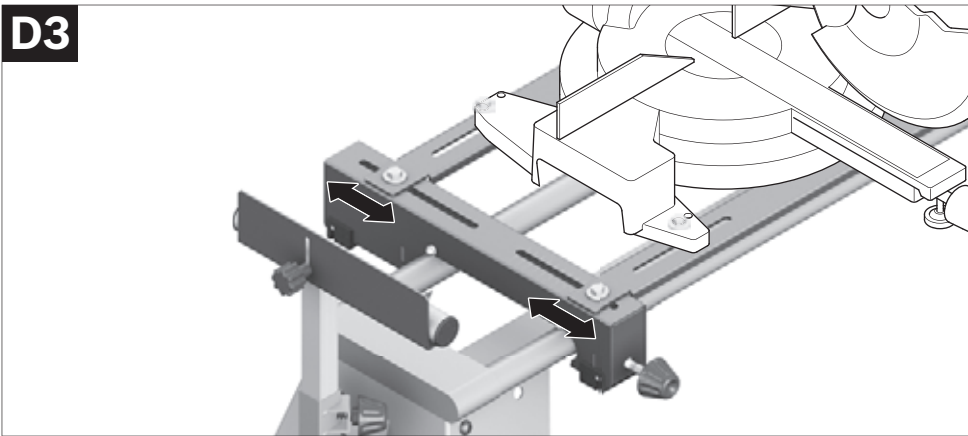
D1



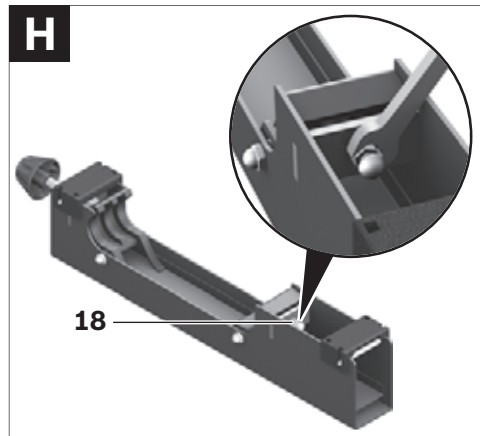
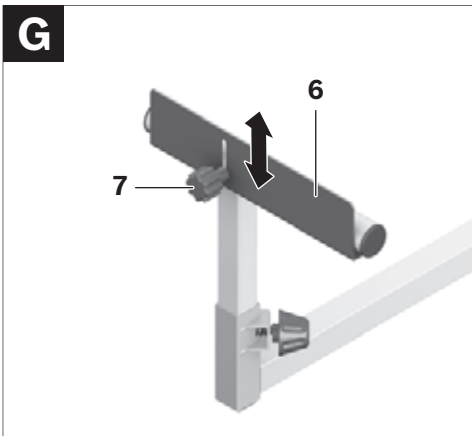
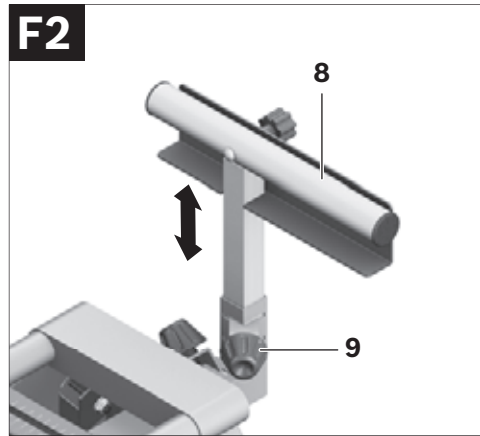
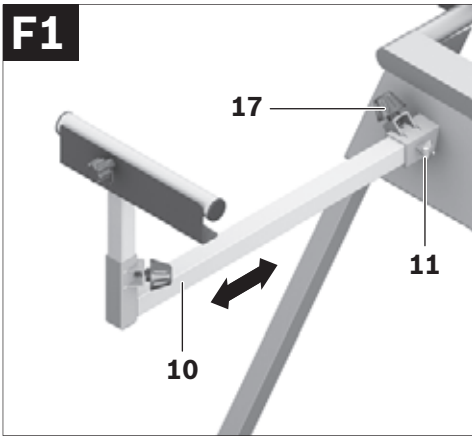
D2



D3



8 |



12 | English

Deutschland

Robert Bosch GmbH
 Servicezentrum Elektrowerkzeuge
 Zur Luhne 2
 37589 Kalefeld – Willershausen
 Tel. Kundendienst: +49 (1805) 70 74 10*
 Fax: +49 (1805) 70 74 11*
 (*Festnetzpreis 14 ct/min, höchstens 42 ct/min aus Mobilfunknetzen)
 E-Mail: Servicezentrum.Elektrowerkzeuge@de.bosch.com
 Tel. Kundenberatung: +49 (1803) 33 57 99
 (Festnetzpreis 9 ct/min, höchstens 42 ct/min aus Mobilfunknetzen)
 Fax: +49 (711) 7 58 19 30
 E-Mail: kundenberatung.ew@de.bosch.com

Österreich

Tel.: +43 (01) 7 97 22 20 10
 Fax: +43 (01) 7 97 22 20 11
 E-Mail: service.elektrowerkzeuge@at.bosch.com

Schweiz

Tel.: +41 (044) 8 47 15 11
 Fax: +41 (044) 8 47 15 51

Luxemburg

Tel.: +32 (070) 22 55 65
 Fax: +32 (070) 22 55 75
 E-Mail: outillage.gereedschap@be.bosch.com

Entsorgung

Arbeitsstisch, Zubehör und Verpackungen sollen einer umweltgerechten Wiederverwertung zugeführt werden.

Änderungen vorbehalten.

English**Safety Notes****General Safety Rules**

Read all warning notes and instructions enclosed with the saw stand and the power tool to be mounted. Failure to follow the warnings and instructions may result in electric shock, fire and/or serious injury.


Safety Warnings for Saw Stands

- ▶ **Pull the plug from the mains receptacle and/or remove the battery from the power tool before making adjustments on the tool or changing tool accessories.** Unintentional switching on of the power tool is the cause of many accidents.
- ▶ **Assemble the saw stand in the proper manner before mounting the power tool.** Proper assembly is important to prevent the risk of a collapse of the saw stand.

- ▶ **Attach the power tool securely to the saw stand before using it.** Slipping off of the power tool on the saw stand can lead to loss of control.
- ▶ **Place the saw stand on a firm, level and horizontal surface.** If the saw stand can slip off or wobbles, the power tool or the workpiece cannot be uniformly and securely guided.
- ▶ **Do not overload the saw stand and do not use it as a ladder or scaffolding.** Overloading or standing on the saw stand can lead to the upward shifting of the centre of gravity of the stand and its tipping over.
- ▶ **When working or transporting, take care that all bolts and connecting elements are firmly tightened. The attachment sets for the power tool must always be firmly locked.** Loose connections can lead to instability and inexact sawing.
- ▶ **Mount and dismount the power tool only when it is in the transport position (for instructions on the transport position, also see the operating instructions of the respective power tool).** Otherwise, the power tool can have such an unfavourable centre of gravity that it cannot be held securely.
- ▶ **When the power tool is mounted to the attachment set, operate it exclusively on the saw stand.** Without the saw stand, the attachment set with the power tool does not stand securely and can tip over.
- ▶ **Ensure that long and heavy workpieces do not affect the equilibrium of the saw stand.** Long and/or heavy workpieces must be supported at the free end.
- ▶ **Keep your fingers clear of the hinge points while pushing the saw stand together or pulling it apart.** Danger of fingers being crushed or contused.

Symbols

The following symbols can be important for the operation of your saw stand. Please memorise the symbols and their meanings. The correct interpretation of the symbols helps you operate the saw stand better and more secure.

| Symbol | Meaning |
|---|--|
|  | The maximum carrying capacity (power tool + workpiece) of the saw stand is 160 kg. |

Product Description and Specifications**Intended Use**

The saw stand is intended exclusively for mounting the following stationary Bosch saws (as of 2011.06):

- PCM 7 3 603 M01 2..
- PCM 7 S 3 603 M01 3..
- PCM 8 S 3 603 L02 0..
- PCM 10 3 603 L01 0..

Together with the power tool, the saw stand is intended for the cutting to length of boards and profiles.

Product Features

The numbering of the product features refers to the illustration of the saw stand on the graphics pages.

- 1 Attachment set
- 2 Retaining adapter
- 3 Locking pin of the saw stand legs
- 4 Height-adjustable leg
- 5 Locking knob of the attachment set **1**
- 6 Material stop
- 7 Locking knob of the length stop **6**
- 8 Workpiece support
- 9 Locking knob of the workpiece support **8**
- 10 Table extension
- 11 Locking pin of the table extension **10**
- 12 Fastening kit, retaining adapter
- 13 Fastening kit, power tool
- 14 Lock nut
- 15 Fastening hole
- 16 Assembly-sliding plate
- 17 Locking knob of the table extension **10**
- 18 Adjustment screw of the attachment set **1**

Accessories shown or described are not part of the standard delivery scope of the product. A complete overview of accessories can be found in our accessories program.

Technical Data

| Saw stand | | PTA 2400 |
|---|----|---------------|
| Article number | | 3 603 M05 0.. |
| Length of saw stand without table extension | mm | 1220 |
| Length of saw stand with table extension | mm | 2440 |
| Height of saw stand | mm | 820 |
| Max. carrying capacity (power tool + workpiece) without table extension | | |
| - Attachment set | kg | 160 |
| Max. carrying capacity (power tool + workpiece) with table extension | | |
| - Attachment set | kg | 110 |
| - Per table extension | kg | 25 |
| Weight according to EPTA-Procedure 01/2003 | kg | 20.4 |

Assembly

Delivery Scope



Please also observe the representation of the delivery scope at the beginning of the operating instructions.

Before assembling the saw stand, check if all parts listed below are provided:

| No. | Designation | Quantity |
|-----------|--|----------|
| | Saw stand PTA 2400 | 1 |
| 1 | Attachment set | 2 |
| 5 | Locking knob of the attachment set | 2 |
| 2 | Retaining adapter | 2 |
| 12 | Retaining adapter fastening kit consisting of: | |
| | - Assembly-sliding plate | 4 |
| | - Hexagon bolt (M8 x 15) | 4 |
| | - Washer | 4 |
| 8 | Workpiece support | 2 |
| 6 | Length stop | 2 |
| 7 | Locking knob of the length stop | 2 |
| | Carriage bolt (M6 x 46) | 2 |
| 13 | Power tool fastening kit consisting of: | |
| | - Hexagon bolt (M8 x 50) | 4 |
| | - Washer | 8 |
| | - Wing nut | 4 |

Additionally required tools (not in delivery scope):

- Phillips screwdriver
- Spanner

Assembling the Saw Stand

- Carefully remove all parts included in the delivery from their packaging.
- Remove all packaging material.

Setting Up the Saw Stand (see figures A1 – A2)

- Lay the saw stand upside down on the floor (legs facing upward).
- Push the locking pin **3** in and tilt the leg upward until the locking pin can be heard to engage.
- Repeat this workstep with the other three legs.
- Turn around the saw stand to the working position. The manufacturer logo must face toward the front so that it can be read.
- Ensure that the saw stand is stable and that all locking pins have engaged.

The saw stand is easily aligned with the height-adjustable leg **4**.

- Loosen lock nut **14** and screw the leg in or out until the saw stand is aligned level and all four legs face against the floor.

14 | English

Mounting the Length Stop and Workpiece Support (see figures B1 – B2)

- Screw the length stop **6** to the workpiece support **8** with carriage bolt **M6 x 46** and locking knob **7**.
- Insert the workpiece support **8** into the table extension **10**.
- Tighten the locking knob **9** to lock the workpiece support.
- Repeat the worksteps with the second workpiece support.

Preparing the Saw Stand**Preparing the Attachment Sets (see figures C1 – C3)**

- Place both attachment sets **1** on the saw stand in such a manner that the labelling can be read.
- **Hand-tighten** both locking knobs **5**.
- Place the retaining adapters **2** with the flat side facing upward on both attachment sets and move them apart so that the fastening holes **15** are aligned.
- Guide two assembly-sliding plates **16** each (**perpendicular**, with the flat side facing upward) from the rear into the guide compartment of the attachment sets **1**. Move the assembly-sliding plates apart so that they are aligned with the fastening holes **15**.
- **Hand-tighten** the attachment sets and retaining adapters with the washers and hexagon bolts from fastening kit **12**.
- Afterwards, firmly tighten both locking knobs **5** of the attachment sets.

Fastening the Power Tool to the Attachment Sets (see figures D1 – D3)

- Position the power tool in the transport position. Notes on the transport position are given in the operating instructions of the respective power tool.
- Position the power tool on the front retaining adapter in such a manner that the front mounting holes on the power tool are brought into alignment with the slots of the retaining adapter.
- Screw the front retaining adapter and the power tool together with the hexagon bolts, washers and wing nuts from the fastening kit **13**.
- Position the rear retaining adapter in such a manner that the rear mounting holes on the power tool are brought into alignment with the slots of the retaining adapter.
- Screw the rear retaining adapter and the power tool together with the hexagon bolts, washers and wing nuts from the fastening kit **13**.
- Align the retaining adapters **2** uniformly. The imprinted scale aides in adjusting the same clearance on both sides.
- Finally, firmly tighten all screws of fastening kit **12** (retaining adapter) and all wing nuts of fastening kit **13** (power tool).

Operation**Working Advice**

Do not overload the saw stand. Always observe the maximum carrying capacity of the saw stand and the two table extensions.

Always hold the workpiece firmly, especially the longer and more heavy section. After cutting through the workpiece, the

centre of gravity may become dislocated in such an unfavourable manner that the saw stand tips over.

If possible, always place the workpiece on one or both workpiece supports.

Extending the Saw Stand (see figures F1 – F2)

Long workpieces must be underlaid or supported at their free end.

- Place your long workpiece onto the saw table of the power tool.
- Loosen locking knob **17** and pull the table extension **10** out to the desired clearance. Due to locking pin **11**, the table extension can only be pulled out to the stop.
- Retighten the locking knobs again.
- Loosen locking knob **9** and adjust the height of the workpiece support **8** so that the workpiece rests level. The workpiece must be positioned level on the power tool's saw table.
- Retighten the locking knobs again.

Sawing Workpieces of the Same Length (see figure G)

The material stop **6** can be used for easily sawing workpieces to the same length.

- Adjust the desired workpiece length. (see figures F1 – F2)
- Loosen locking knob **7** and position the length stop **6** to the desired clearance to the saw blade of the power tool.
- Retighten the locking knobs again.

Adjusting the Attachment-set Bracket (see figure H)

After intensive use of the saw stand, the bracket that locks the attachment set **1** to the saw table via the locking knob **5** may possibly require readjustment.

- Remove the power tool from the attachment sets.
- Turn the attachment set upside down.
- When the attachment set cannot be locked to the saw stand despite firmly tightening the locking knob, screw the adjustment screw **18** in clockwise direction. When the attachment set does not fit onto both rails (front and rear) of the saw stand at the same time, screw the adjustment screw **18** in anticlockwise direction.
- Check the firm and correct seating of the attachment set and repeat the adjustment, if required.
- Repeat the worksteps with the second attachment set.

Maintenance and Service**Maintenance**

If the saw stand should fail despite the care taken in manufacture and testing, repair should be carried out by an authorised customer services agent for Bosch power tools.

In all correspondence and spare parts orders, please always include the 10-digit article number given on the type plate of the saw stand.