

It's time to come out of hibernation!

Prepare your patio and balcony for spring with Bosch.



NEW! Spring is here. You can use the powerful Bosch tools to restore your winter-worn garden furniture to its former glory. Or better still, you could build some new furniture yourself. Construction plans and tips can be found in this magazine and at www.bosch-do-it.com. **You'll be amazed.**



BOSCH

Invented for life

Spring impressions

Spring-fresh ideas for your house, garden and patio

Hurray, we can enjoy the first rays of sunshine in the open air again. Now the radiant spring light exposes many of the traces of months of winter weather.

We recommend arranging an outdoor spring clean with the whole family. You will surprise each other with your fantastic results.

Our spring tips, ideas and construction manuals are intended to inspire you and to help you choose the right tool. You will find that this tool is not only efficient, but also incredibly good fun to work with. Enjoy working with it!

Exciting tips, construction manuals and project ideas can be found in this magazine and at www.bosch-do-it.com



Pages



- 4-5 **Life is colourful, so why can't your house be colourful too?**
A new coat of paint for your balcony and other surfaces.
- 6-7 **Do you want to eradicate the traces of winter and straighten everything out?**
Cordless helpers for your house and garden.
- 8-9 **Do you want build something new and maybe make a bit of an impression as well?**
A new patio with built-in lighting.
- 10-21 **And now the fun really begins!**
Even more DIY projects that are fun to do.
- 22-25 **Here you will find everything you need!**
The practical Bosch tools at a glance.



The spring helpers in this edition!



Sanding

4



Sand before spraying!



Colours have a positive effect on our well-being. Give your balcony parapet, window shutters or garden furniture a completely new look this spring. Think of a colour scheme to create a refreshing, eye-catching effect. But before the fun of applying the new colours can begin, you will have to remove the old paint.

The **belt sander** is the expert tool for rough sanding – it removes thick layers of paint from large surfaces in no time. The **random orbit sander** with its round sanding pad has proven to be ideal for workpieces with curved surfaces. It is best to use the **multi-sander** to sand railings, fences or furniture.

A coat of paint is only ever as good as the surface underneath it. This surface has to be absolutely clean, dry and flat.



Bosch sanders also work virtually dust-free thanks to their dust extraction and the micro-filter system.



Spraying



Repotting in spring!

This is done by selecting a pot that is maximum 4 cm bigger in diameter than the old one. Place two potsherds over the hole in the bottom, so that excess water can drain away easily and there is a good circulation of air.



Once you get started, you won't want to stop: the **Bosch Fine Spray Systems** can be used to quickly and easily improve the appearance of a wide variety of surfaces. Even hobby painters with little previous experience of spraying will achieve professional results. These **fine spray systems** quickly provide excellent results, and they spray not only paint, but also varnishes, lacquers and wood preservatives.

Paintbrushes were yesterday! The **Bosch Fine Spray Systems** enable you to apply paint quickly, evenly and cleanly – without leaving drips or brush hairs on the surface.

The right spray system for every job: the lightweight, handy **PFS 55** easily takes care of smaller projects such as garden furniture. The **PFS 65** does a great job of spraying larger surfaces and spraying in awkward positions thanks to its 1.8 m long hose. Its shoulder strap means you can climb any ladder with it over your shoulder. No spraying job is too hard for the large, powerful **PFS 105 E**: it has a powerful turbine, a 3.4 m long hose and a large paint tank with smooth-running wheels, so the tool follows you to wherever large surfaces need a new coat of paint.





Cordless helpers!

It is quite conceivable that the idea for a cordless tool originated in a garden. To work outdoors without a long cable could have been the vision behind it. Nowadays, thanks to Bosch, you simply look for the best place in the sun and that's exactly where you build your summerhouse complete with a pond – there are virtually no limits to your ideas when you work with these high-endurance lithium-ion cordless tools!



**Small tools, big progress -
Batteries with lithium-ion technology**

- **No self-discharge, no memory effect - Full power at all times!**
- **The same power at half the size and half the weight - Requires less effort to work with!**
- **Intelligent overload protection - Extra-long lifetime!**

Screwdriving and Drilling

An ingenious, all-round tool like the **Uneo** is sure to delight every do-it-yourselfer. This lightweight tool even hammers into the hardest concrete, drives 100 screws with one battery charge, and drills in the smallest of corners. Everybody will need it for work in their house and garden at some point – so take good care of it!

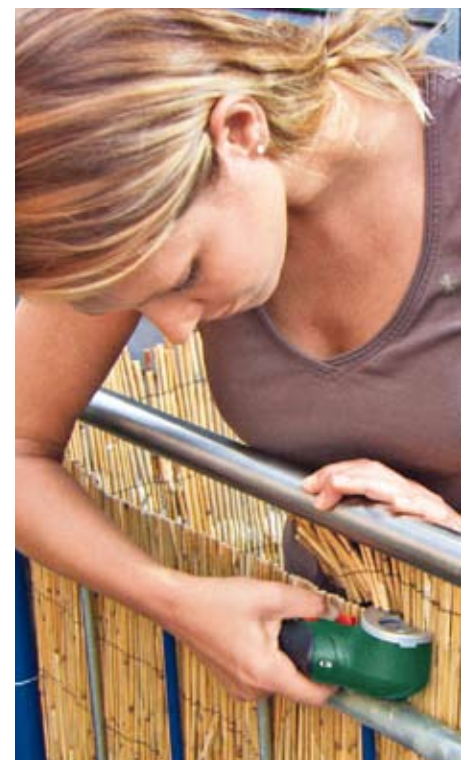


Small, lightweight, powerful when driving screws and drilling holes. A **PSR cordless screwdriver** is recommended for longer overhead applications and larger diameters. Whether it be reconstruction work, repairs on a wooden patio or summerhouse, or renovation work and repairs on fences in the garden – its range of applications is (virtually) unlimited.



Cutting

Extremely good at making cuts in the garden: the **Xeo** glides effortlessly through lawn edging, pond liner, bast mats and even through branches of up to 6 mm in diameter. And the **Xeo** is also handy for work all around the house: when laying carpets, decorating or, for example, cutting up cardboard boxes. It also sharpens itself, therefore removing the need for blade changes. All in all, it is an indispensable tool for your house and garden.





Plan, drive screws and build!

DIY could actually pass as a wellness programme – working with your hands has the effect of counteracting excessive stress. It calms you down and stimulates your creativity. Give it a try! For example, by designing and building a new patio deck yourself with spotlights in the platform to create atmospheric lighting. Discover the do-it-yourselfer inside you and get started – with the right instruction manual and good tools, you will quickly achieve outstanding results – You'll be amazed!

Bosch power tools are available in this store, and you will find many good ideas and instruction manuals at www.bosch-do-it.com.

The platform was a good idea! It brings a completely new dimension to the patio, especially in the evening.



Cutting To Length and Cutting



The **hand-held circular saws** from Bosch are the masters of precise rip cuts. They cut wood and plastics with an exceptionally high level of safety and convenience, and they can even cut through the hardest decking wood. Precise mitre cuts are also no problem for the Bosch circular saws. The drilling and screwdriving work here is also taken care of by the reliable **PSR** and **Uneo** cordless tools.



For even the hardest decking wood: the **PMF** with the plunge-cutting saw blade once again proves its many talents when sawing the cutouts for the lighting.

The **PMF** is the "Swiss Army Knife" among power tools. By simply changing the accessory you can use it to saw, cut and sand. Its adjustable work angles enable it to reach positions that other tools could never reach.



Sawing

New Compact Generation

Easy

Universal

Expert



Precise straight cuts, circles, hairpin curves, parallel curves – the new jigsaw generation from Bosch enables you to saw more easily and precisely than ever before. Vibration is a thing of the past, and "CutControl" makes sure that you no longer stray from the line. The ideal addition for precise rip and mitre cuts with your Bosch jigsaw is the new Saw Station **PLS 300**.



The **new Compact Generation** offers the right jigsaw for everyone. Precise technology and an ingenious ergonomic design are available for entry-level users, proficient users and experts.



10

Project No. 1

Side table

We have designed a side table to go with our garden lounger – Project No. 2 – so you can have your drinks and reading material within reach while you relax. After all, there's no point in getting up from the lounger unnecessarily. The table is made of small sections of glued laminated timber. If you cannot have these cut to size at your local DIY store, use your own (jig) saw. If you do so, we recommend that you use clamps to fix appropriate rails to the workpiece to act as a parallel guide. In our table design, two U-shaped leg frames are held together by an outer frame; panels fastened together by screws on the inside provide stability.

The complete construction manual, material list and other helpful tips can be found at www.bosch-do-it.com.



More information at
www.bosch-do-it.com

1.



1. Fasten together the legs and cross connectors to form base frames

Tip 1 for drilling:

In the piece where you want to insert the screws first, always predrill a hole that is 0.5 to 1 mm larger than the screw diameter.

The hole should be countersunk for the screw head. In the piece that you are going to drill second, predrill a hole that is always 1 mm smaller than the screw diameter.

2.



2. Join the base frames with the frame surrounds

3.

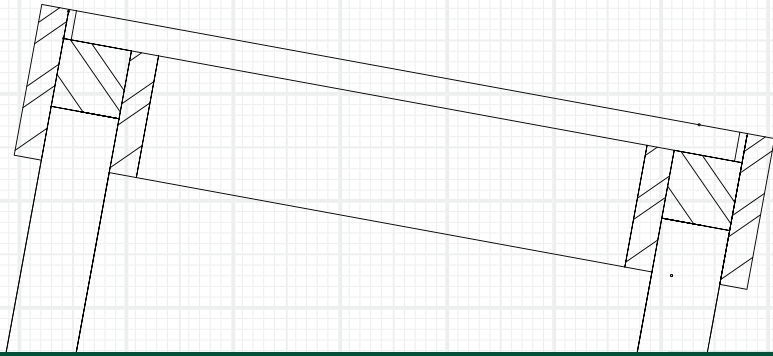
4.



3. Mount the table slats with screws



4. Fit the reinforcement panels



Beginners



under 1 day

*The following machines
are especially well suited
to this project*



PSM 80 A
Sander



PSB 500 RE
Impact Drill



PSR 14,4 LI-2
Screwdriver



Shopping list

	Length	Width	Depth
4 legs	242 mm	45 mm	45 mm
2 cross connectors	360 mm	45 mm	45 mm
2 reinforcement panels	450 mm	80 mm	18 mm
5 table slats	440 mm	80 mm	18 mm
2 frame surrounds, long	486 mm	100 mm	18 mm
2 frame surrounds, short	450 mm	100 mm	18 mm
approx. 40 flat head screws 4 x 60 mm			
approx. 12 flat head screws 4 x 40 mm			

5.



Tip 1 for sanding:

Make sure that the sanding paper is sharp enough to remove the wood fibres properly, not just flatten them.

5. Sand the wood surfaces



6. Varnish the surfaces: First read the manufacturer's safety and handling instructions thoroughly. Make sure the room you are working in is well ventilated and not used for smoking, eating or drinking.

Tip for painting:

Spray guns instead of paintbrushes!

6.



7.

14

Project No. 2

Garden lounger

Teak loungers: nice to look at, but you might want to take a seat when you check the price. We offer you an economical alternative: a stylish lounger made from spruce timber that we have varnished in a teak colour.

The lounger is assembled in two stages. In the first stage, you assemble the base frame with legs and casters. In the second, you assemble the lounger section as a slatted frame.

The complete construction manual, the material list and other helpful tips can be found at www.bosch-do-it.com.



House
of Bosch

More information at
www.bosch-do-it.com

1.



1. Base frame: Cut out the handle opening

Tip 2 for drilling:

Referring to the details in the illustration, predrill the square timbers that will later support the slatted frame and mount them using a cordless screwdriver and flat head screws (4 x 60 mm). See tip 1 above on screwing together two pieces of wood. Then screw the short legs to the sides from above through the square timbers using the flat head screws (4 x 60 mm).

2.



2. Base frame: Mount the legs and square timbers

3.



3. Base frame: Mount the casters

4.



4. Fasten the slatted frame parts and connect them with the piano hinge

Shopping list

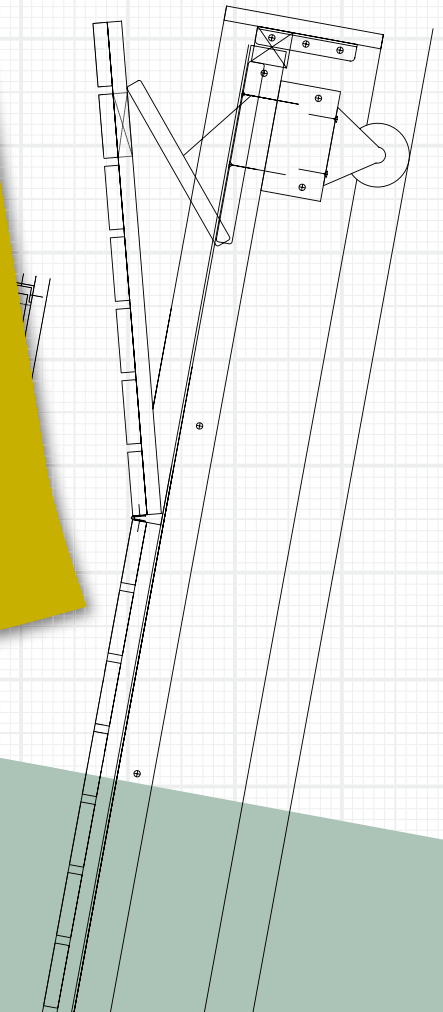
	Length	Width	Depth
2 side panels, long	1936 mm	1936 mm	18 mm
2 side panels, short	614 mm	614 mm	18 mm
2 legs, long	176 mm	45 mm	45 mm
2 legs, short	140 mm	76 mm	95 mm
2 square timbers	1850 mm	45 mm	45 mm
1 attachment strip	524 mm	45 mm	45 mm
21 slats	602 mm	80 mm	18 mm
2 connector boards, long	1250 mm	80 mm	18 mm
2 connector boards	620 mm	80 mm	18 mm
1 piano hinge	604 mm		0.7 mm
2 fixed casters, overall height 100 mm			
2 seat back supports		5040 mm	3 mm
1 neoprene band			
4 bed joints			
approx. 18 flat head screws 4x60 mm			
approx. 32 round head screws 4x15 mm			
approx. 8 round head screws 4x30 mm			
approx. 84 flat head screws 4x30 mm			
approx. 24 flat head screws 3x17 mm			



Advanced users



1.5–2 days



The following machines are especially well suited to this project



PSB 850-2 RE
Impact Drill



PSM 80 A
Sander



PST 800 PEL
Jigsaw



PEX 270 AE
Random Orbit Sander



PSR 14,4 LI-2
Screwdriver



5. Fasten the seat back supports and simultaneously fit the attachment strip



6. Sand the wood surfaces

5.

6.



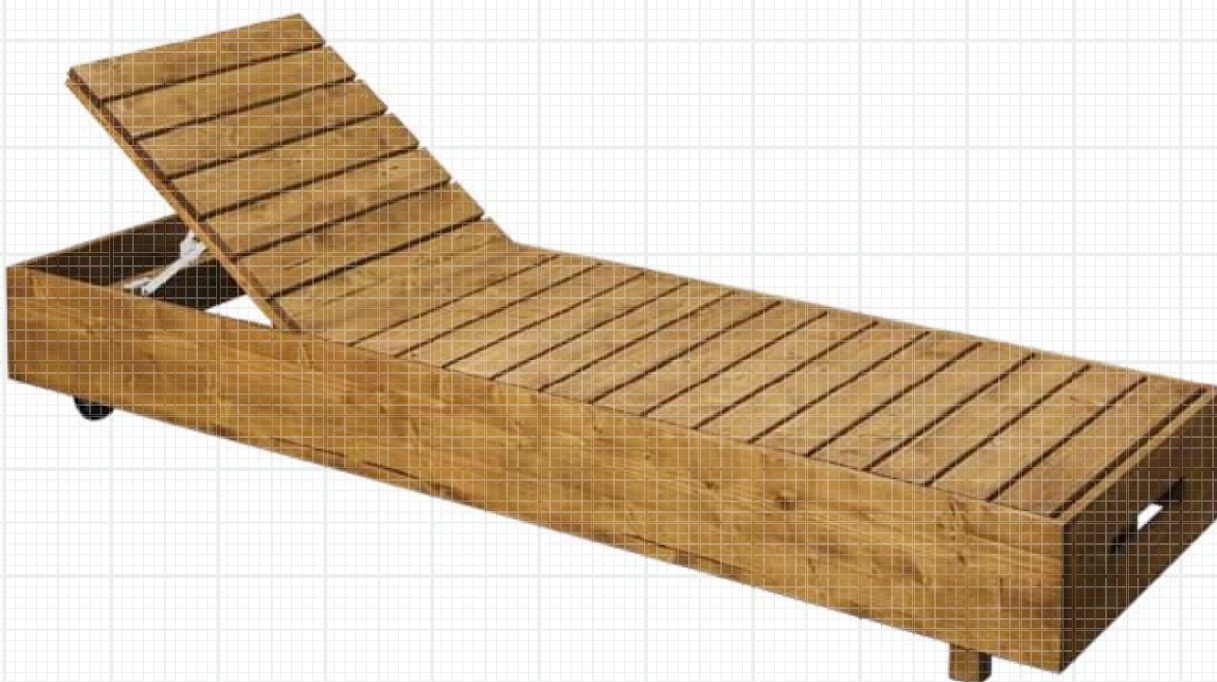
7. **Varnish the surfaces:** First read the manufacturer's safety and handling instructions thoroughly. Make sure the room you are working in is well ventilated and not used for smoking, eating or drinking.

Tip for varnishing:

Before applying a second coat, you must sand the surface a second time with sanding paper with a grit of 240.

Once again, you must always sand in the direction of the wood grain. Then repeat the application.

7.



8.

Project No. 3

Sandpit

We've added a new dimension to a children's classic: Our sandpit comes with a sun canopy that you can lower and tilt as required, thus providing optimum protection from UV rays. You can also lower the sun shade completely to keep the sandpit clean.

The sandpit consists of two parts: the pit itself and the awning on two canopy supports. The sandpit itself consists of a frame whose parts are fastened together with square bolt connectors, while two connected gable ends form the canopy frame.



House
of Bosch

More information at
www.bosch-do-it.com

1.



Tip 3 for drilling:

You can now also predrill the 5-mm holes through the horizontal screw strips, through which the bench boards will be fastened with screws from below.



1. Join the surrounds with the screw strips

2.



2. Join the bench boards with the frame

3.

3. Fit the root barrier plastic or sheeting

4.

4. Join the gable ends and cross connectors for the canopy



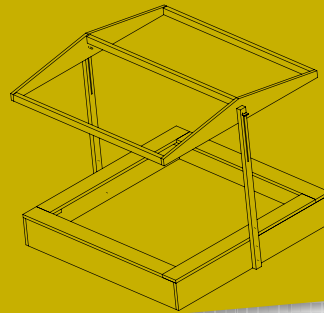
Experts



1.5–2 days

Shopping list

	Length	Width	Depth
2 gable ends	1500 mm	200 mm	18 mm
3 cross connectors	1464 mm	58 mm	38 mm
2 canopy supports	1450 mm	120 mm	27 mm
2 short surrounds	1446 mm	240 mm	27 mm
2 long surrounds	1500 mm	240 mm	27 mm
4 upright screw strips	213 mm	45 mm	45 mm
4 horizontal screw strips	1350 mm	45 mm	45 mm
4 bench boards	1300 mm	200 mm	27 mm
4 connecting straps	170 mm	110 mm	27 mm
1 sheet	1600 mm	1600 mm	0.4 mm
1 canopy fabric	approx. 1700 mm	approx. 1500 mm	
approx. 68 flat head screws 4 x 60 mm			
approx. 32 flat head screws 4 x 45 mm			
approx. 8 flat head screws 4 x 50 mm			



The following machines are especially well suited to this project



POF 1200 AE
Router



PST 900 PEL
Jigsaw



PTK 3,6 V
Tacker



PSM 80 A
Sander



PSR 14,4 LI-2
Screwdriver



PSB 1000-2 RCE
Impact Drill



5.

5. Prepare the canopy supports and join them to the sandpit



6.

7.

6. Cover the canopy frame with canopy fabric

7. Sand the wood surface



8.

Tool Overview

Orbital Sander

Fast and fine sanding on flat surfaces. Smooth sanding or paint removal – Bosch orbital sanders produce the best sanding results on wood and metal. They do so without tiring you out and without the sanding sheet quickly becoming clogged up with paint.



Specifications	PSS 250 AE
Power input	250 W
Sanding plate	92 x 182 mm
Sanding sheet (micro Velcro-type fastening system)	92 x 185 mm
Sanding sheet (clamping system)	93 x 230 mm
Sanding surface	167 cm ²
Oscillations	14,000 – 24,000 opm
Oscillating circuit diameter	2.0 mm
Machine weight	1.6 kg

Multi-Sanders

A power tool full of innovative technology. Particularly versatile due to the shape of the sanding plate, particularly low levels of dust thanks to Bosch micro-filter system. It enables quick, clean and comfortable sanding with one hand. Is there no plug socket nearby? Then just sand without a cord – with the Bosch PRIO Cordless Sander.

Specifications	PRIO	PSM 80 A	PSM 160 A
Power input	–	80 W	160 W
Battery voltage	7.2 V	–	–
Oscillations	16,000 opm	22,500 opm	24,000 opm
Oscillating circuit diameter	1.2 mm	1.4 mm	1.6 mm
Sanding surface	104 cm ²	104 cm ²	104 cm ²
Machine weight	0.7 kg	0.9 kg	1.4 kg



Cordless Sander

Belt Sander

Quick results metre after metre. If you want to sand large surfaces flat, such as door leaves and boards, or you want to remove material powerfully, then this powerful tool is exactly what you need.

Specifications	PBS 7 A
Power input	600 W
Belt speed	250 m/min
Sanding surface	76 x 130 mm
Belt dimensions	75 x 457 mm
Machine weight	2.4 kg



Random Orbit Sander

Regardless of whether you want to sand or polish, whether on wood, plastic, metal, roughcast or paint, whether on flat or curved surfaces, the Bosch PEX principle in the random orbit sanders from Bosch ensures the finest finish and high sanding performance.



Specifications	PEX 270 AE
Power input	270 W
Oscillations	15,000 – 24,000 opm
Eccentricity	2.00 mm
Machine weight	1.5 kg

Delta Sander

Benefit from the top performance of this tool right into any angle. Whenever you need to work with great attention to detail, you need look no further than the Bosch delta sanders with their low weight, high efficiency and, above all, perfect sanding action even in extremely tight spaces.



Specifications	PDA 180*
Power input	180 W
Oscillations	18,400 opm
Oscillating circuit diameter	1.5 mm
Sanding plate dimension across corners	92 mm
Machine weight	1.1 kg

**not available in UK*

Xeo

The Xeo sharpens itself and allows for faster, easier and more precise cutting: cardboard, blinds, carpets, simply everything. Always within reach, always ready for use. With no memory effect and no self-discharge.



Specifications	Xeo
Max. cutting strength	6 mm
Cutting performance per battery charge	up to 150 m
No-load speed	240 rpm
Battery voltage	3.6 V
Charge time	5 hours
Machine weight with battery	0.4 kg
Lock-off switch	✓
AutoSharp	✓

Tacker

Say goodbye to hammers, screws, glue and pins: the powerful tackers from Bosch, whether handy cordless tool or corded tool, help you to quickly and easily fix panels and hard fibre boards, and to fit insulation and decoration materials such as foils, skirting or even fabrics.



Specifications	PTK 3,6 V
Battery voltage	3.6 V
Impact rate	30 bpm
Application range with 11.4-mm staples	6 – 14 mm
Nails	14 mm
Machine weight	1.2 kg
Bosch Electronic	-
Mechanical impact force preselection	✓
Staple supply display	✓

Tool Overview

PMF Multifunction Tool

The Multifunction Tool PMF 180 E is impressive not only because of its handy shape. Whether sawing, cutting or routing, whether short or long cuts, whether in the middle or at the very edge – the PMF 180 E completes everything with power and precision. And it is even possible to sand surfaces thanks to the sanding attachment.



Specifications	PMF 180 E
Power input	180 W
Power output	74 W
Oscillation angle on right/left	1.4°
No-load speed	15,000 – 21,000 rpm
Machine weight	1.2 kg

Uneo

The new Uneo from Bosch is the ideal tool for all drilling and screwdriving applications because it is 3 tools in one: cordless screwdriver, cordless drill and cordless rotary hammer. Its modern lithium-ion battery makes it lightweight and virtually always ready for use.



Specifications	Uneo
Drilling diameter in concrete	10 mm
Drilling diameter in steel	8 mm
Drilling diameter in wood	10 mm
Single impact energy	0.9 J
No-load speed	0 – 900 rpm
Impact rate	0 – 4,800 bpm
Battery voltage	14.4 V
Machine weight with battery	1.1 kg

PSR

These tools offer the best handling in their class due to their particularly compact design, which is thanks to the innovative lithium-ion technology.



Specifications	PSR 14,4 LI-2	PSR 10,8 LI
Screw diameter up to	8 mm	6 mm
Drilling diameter in steel	10 mm	8 mm
Drilling diameter in wood	30 mm	20 mm
No-load speed (1st gear / 2nd gear)	0 – 370 rpm/ 0 – 1,150 rpm	0 – 410 rpm
Torque settings plus 1 drill setting	25 + 1	10 + 1
Max. torque in soft/hard screwdriving applications	20/38 Nm	10/25 Nm
Battery voltage	14.4 V	10.8 V
Machine weight with battery	1.35 kg	0.95 kg

PKS

Put your faith in an exceptionally high level of safety and convenience with the circular saws from Bosch. The result: precise rip and mitre cuts in a wide variety of materials.



Specifications	PKS 55 A
Power input	1200 W
No-load speed	5,600 rpm
Cutting depth at 0° mitre angle	55 mm
Cutting depth at 45° mitre angle	38 mm
Circular saw blade rated diameter	160 mm
Circular saw blade bore diameter	20 mm
Machine weight	3.9 kg

New Compact Generation

PSB

Easy

Universal

Expert

The impact drills in the new Compact Generation from Bosch will impress you with their high power and state-of-the-art technology. Their ergonomic, compact design makes them comfortable and safe to handle when impact drilling, drilling and screw-driving. With the new Compact Generation, Bosch offers the right tool for every user. The micro-filter system enables dust-free working for Easy, Universal and Expert users.

Specifications	PSB 500 RE*	PSB 650 RE*	PSB 850-2 RE*
Power input	500 W	650 W	850 W
Max. impact rate	48,000 bpm	48,000 bpm	47,600 bpm
No-load speed in 1st gear	50 – 3,000 rpm	50 – 3,000 rpm	50–850 rpm
in 2nd gear	–	–	50–2,800 rpm
Max. torque	7.5 Nm	9 Nm	1st/2nd gear: 46/12 Nm
Max. drilling diameter in concrete	10 mm	14 mm	18 mm
Max. drilling diameter in steel	8 mm	12 mm	13 mm
Max. drilling diameter in wood	25 mm	30 mm	40 mm
Machine weight	1.6 kg	1.7 kg	2.8 kg

*coming soon



New Compact Generation

PST

Easy

Universal

Expert

The sophisticated technology of the Bosch jigsaws works for you in every respect. The integrated mass balance ensures extremely smooth running without vibration. The 4-stage pendulum action provides faster sawing progress and it reduces the frictional heat on the saw blade, therefore increasing the lifetime of the blade. CutControl helps to make sawing even easier and more precise.

Specifications	PST 700 E*	PST 800 PEL*	PST 900 PEL*
Power input	500 W	530 W	620 W
No-load stroke rate	500–3,100 spm	500–3,000 spm	500–3,100 spm
Cutting depth in wood	70 mm	80 mm	90 mm
Cutting depth in aluminium	10 mm	12 mm	15 mm
Cutting depth in metal	4 mm	5 mm	8 mm
Machine weight	1.7 kg	2.0 kg	2.2 kg

*coming soon





The hotline for all DIY questions: The Bosch team of experts.

DIY stands for Do It Yourself – but you are not by yourself when it comes to our team of specialists, on hand to provide expert advice from qualified engineers through to master carpenters, our friendly experts will help you as quickly and professionally as possible. Whether you already own a Bosch power tool or if you want to buy one – we will be happy to advise you about purchase, application and material processing.

Hotline: 0844 7360107

Our team of experts is at your service:
Mon–Fri 08:00–17:00

If you call at any other time, an answering machine will take your call. You can also write us an e-mail:

Boschcustomercontactcentre@sitel.co.uk



1619GT97170001

Robert Bosch Ltd
Power Tools
P.O. Box 98, Uxbridge,
Middlesex, UB9 5HN.
www.bosch-do-it.co.uk



BOSCH
Invented for life