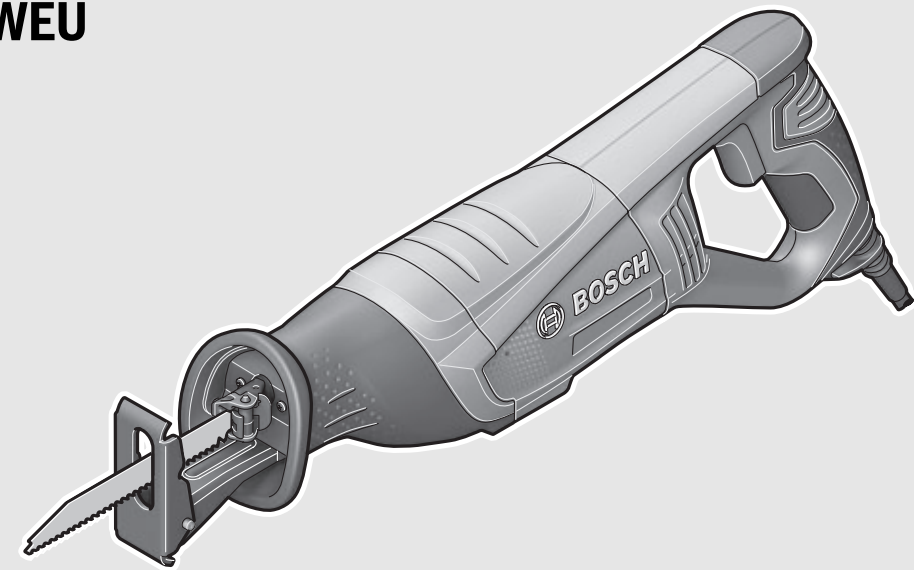


**WEU**

**WEU**



**Robert Bosch GmbH**  
Power Tools Division  
70745 Leinfelden-Echterdingen  
Germany

[www.bosch-pt.com](http://www.bosch-pt.com)

1 619 929 K82 (2012.03) T / 69 WEU



1 619 929 K82

**PSA 700 E**

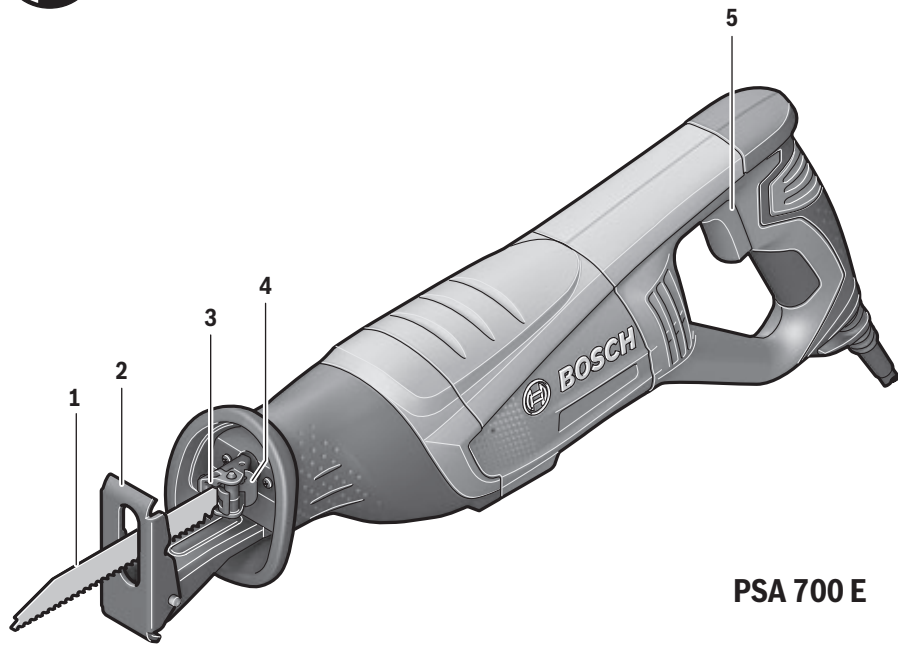
 **BOSCH**

**de** Originalbetriebsanleitung  
**en** Original instructions  
**fr** Notice originale  
**es** Manual original  
**pt** Manual original  
**it** Istruzioni originali  
**nl** Oorspronkelijke gebruiksaanwijzing

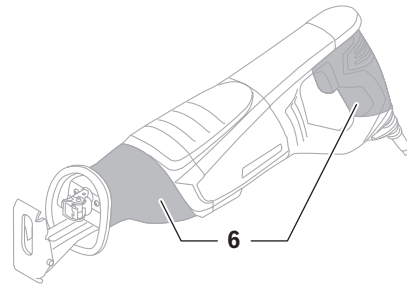
**da** Original brugsanvisning  
**sv** Bruksanvisning i original  
**no** Original driftsinstruks  
**fi** Alkuperäinen ohjeet  
**el** Πρωτότυπο οδηγιών χρήσης  
**tr** Orijinal işletme talimatı  
**ar** تعليمات التشغيل الأصلية



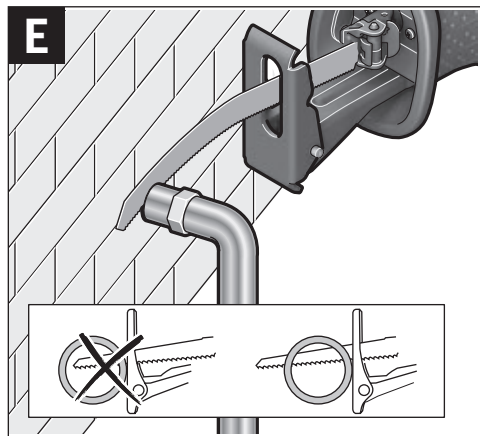
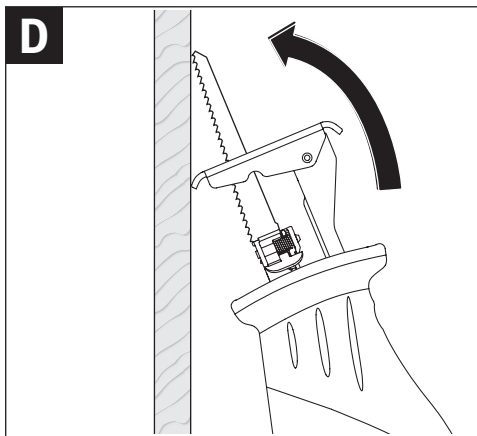
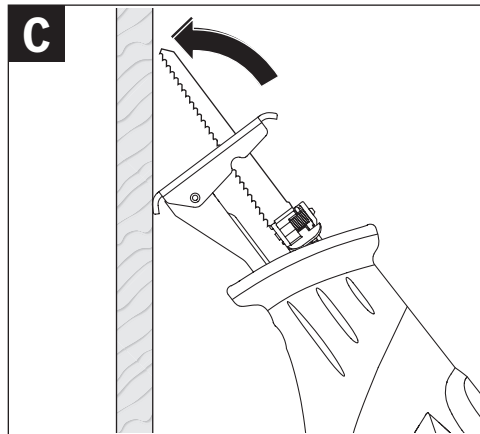
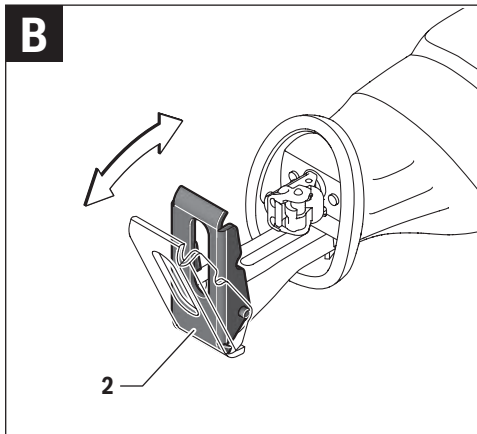
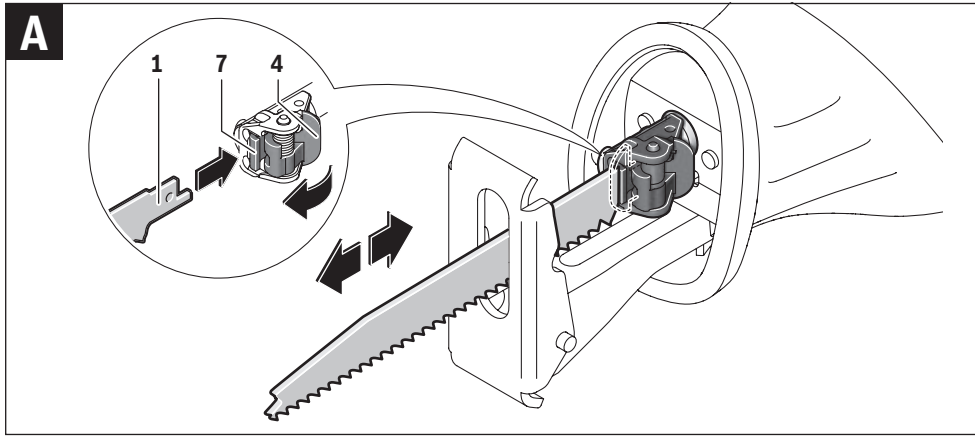
Deutsch .....	Seite 5
English .....	Page 9
Français .....	Page 15
Español .....	Página 19
Português .....	Página 24
Italiano .....	Pagina 29
Nederlands .....	Pagina 33
Dansk .....	Side 38
Svenska .....	Sida 42
Norsk .....	Side 46
Suomi .....	Sivu 50
Ελληνικά .....	Σελίδα 54
Türkçe .....	Sayfa 58
عربي .....	صفحة 64



**PSA 700 E**



4 |



## Wartung und Service

### Wartung und Reinigung

- ▶ **Ziehen Sie vor allen Arbeiten am Elektrowerkzeug den Netzstecker aus der Steckdose.**
- ▶ **Halten Sie das Elektrowerkzeug und die Lüftungsschlitze sauber, um gut und sicher zu arbeiten.**

Reinigen Sie die Sägeblattaufnahme vorzugsweise mit Druckluft oder mit einem weichen Pinsel. Entnehmen Sie dazu das Sägeblatt aus dem Elektrowerkzeug. Halten Sie die Sägeblattaufnahme durch Verwendung von geeigneten Schmiermitteln funktionsfähig.

Eine starke Verschmutzung des Elektrowerkzeugs kann zu Funktionsstörungen führen. Sägen Sie deshalb stark stauberzeugende Materialien nicht von unten oder über Kopf.

Wenn ein Ersatz der Anschlussleitung erforderlich ist, dann ist dies von Bosch oder einer autorisierten Kundendienststelle für Bosch-Elektrowerkzeuge auszuführen, um Sicherheitsgefährdungen zu vermeiden.

Sollte das Elektrowerkzeug trotz sorgfältiger Herstellungs- und Prüfverfahren einmal ausfallen, ist die Reparatur von einer autorisierten Kundendienststelle für Bosch-Elektrowerkzeuge ausführen zu lassen.

Geben Sie bei allen Rückfragen und Ersatzteilbestellungen bitte unbedingt die 10-stellige Sachnummer laut Typenschild des Elektrowerkzeuges an.

### Kundendienst und Kundenberatung

Der Kundendienst beantwortet Ihre Fragen zu Reparatur und Wartung Ihres Produkts sowie zu Ersatzteilen. Explosionszeichnungen und Informationen zu Ersatzteilen finden Sie auch unter:

**www.bosch-pt.com**

Das Bosch-Kundenberater-Team hilft Ihnen gerne bei Fragen zu Kauf, Anwendung und Einstellung von Produkten und Zubehör.

**www.bosch-do-it.de**, das Internetportal für Heimwerker und Gartenfreunde.

**www.dha.de**, das komplette Service-Angebot der Deutschen Heimwerker Akademie.

#### Deutschland

Robert Bosch GmbH

Servicezentrum Elektrowerkzeuge

Zur Luhne 2

37589 Kalefeld – Willershausen

Tel. Kundendienst: +49 (1805) 70 74 10\*

Fax: +49 (1805) 70 74 11\*

(\*Festnetzpreis 14 ct/min, höchstens 42 ct/min aus Mobilfunknetzen)

E-Mail: Servicezentrum.Elektrowerkzeuge@de.bosch.com

Tel. Kundenberatung: +49 (1803) 33 57 99

(Festnetzpreis 9 ct/min, höchstens 42 ct/min aus Mobilfunknetzen)

Fax: +49 (711) 7 58 19 30

E-Mail: kundenberatung.ew@de.bosch.com

#### Österreich

Tel.: +43 (01) 7 97 22 20 10

Fax: +43 (01) 7 97 22 20 11

E-Mail: service.elektrowerkzeuge@at.bosch.com

#### Schweiz

Tel.: +41 (044) 8 47 15 11

Fax: +41 (044) 8 47 15 51

#### Luxemburg

Tel.: +32 2 588 0589

Fax: +32 2 588 0595

E-Mail: outillage.gereedschap@be.bosch.com

### Entsorgung

Elektrowerkzeuge, Zubehör und Verpackungen sollen einer umweltgerechten Wiederverwertung zugeführt werden.

Werfen Sie Elektrowerkzeuge nicht in den Hausmüll!

#### Nur für EU-Länder:



Gemäß der Europäischen Richtlinie 2002/96/EG über Elektro- und Elektronik-Altgeräte und ihrer Umsetzung in nationales Recht müssen nicht mehr gebrauchsfähige Elektrowerkzeuge getrennt gesammelt und einer umweltgerechten Wiederverwertung zugeführt werden.

Änderungen vorbehalten.

## English

### Safety Notes

#### General Power Tool Safety Warnings

**⚠ WARNING** Read all safety warnings and all instructions. Failure to follow the warnings and instructions may result in electric shock, fire and/or serious injury.

#### Save all warnings and instructions for future reference.

The term "power tool" in the warnings refers to your mains-operated (corded) power tool or battery-operated (cordless) power tool.

#### Work area safety

- ▶ **Keep work area clean and well lit.** Cluttered or dark areas invite accidents.
- ▶ **Do not operate power tools in explosive atmospheres, such as in the presence of flammable liquids, gases or dust.** Power tools create sparks which may ignite the dust or fumes.
- ▶ **Keep children and bystanders away while operating a power tool.** Distractions can cause you to lose control.

#### Electrical safety

- ▶ **Power tool plugs must match the outlet. Never modify the plug in any way. Do not use any adapter plugs with earthed (grounded) power tools.** Unmodified plugs and matching outlets will reduce risk of electric shock.

## 10 | English

- ▶ **Avoid body contact with earthed or grounded surfaces, such as pipes, radiators, ranges and refrigerators.**  
There is an increased risk of electric shock if your body is earthed or grounded.
- ▶ **Do not expose power tools to rain or wet conditions.**  
Water entering a power tool will increase the risk of electric shock.
- ▶ **Do not abuse the cord. Never use the cord for carrying, pulling or unplugging the power tool. Keep cord away from heat, oil, sharp edges and moving parts.** Damaged or entangled cords increase the risk of electric shock.
- ▶ **When operating a power tool outdoors, use an extension cord suitable for outdoor use.** Use of a cord suitable for outdoor use reduces the risk of electric shock.
- ▶ **If operating a power tool in a damp location is unavoidable, use a residual current device (RCD) protected supply.** Use of an RCD reduces the risk of electric shock.

## Personal safety

- ▶ **Stay alert, watch what you are doing and use common sense when operating a power tool. Do not use a power tool while you are tired or under the influence of drugs, alcohol or medication.** A moment of inattention while operating power tools may result in serious personal injury.
- ▶ **Use personal protective equipment. Always wear eye protection.** Protective equipment such as dust mask, non-skid safety shoes, hard hat, or hearing protection used for appropriate conditions will reduce personal injuries.
- ▶ **Prevent unintentional starting. Ensure the switch is in the off-position before connecting to power source and/or battery pack, picking up or carrying the tool.** Carrying power tools with your finger on the switch or energising power tools that have the switch on invites accidents.
- ▶ **Remove any adjusting key or wrench before turning the power tool on.** A wrench or a key left attached to a rotating part of the power tool may result in personal injury.
- ▶ **Do not overreach. Keep proper footing and balance at all times.** This enables better control of the power tool in unexpected situations.
- ▶ **Dress properly. Do not wear loose clothing or jewellery. Keep your hair, clothing and gloves away from moving parts.** Loose clothes, jewellery or long hair can be caught in moving parts.
- ▶ **If devices are provided for the connection of dust extraction and collection facilities, ensure these are connected and properly used.** Use of dust collection can reduce dust-related hazards.

## Power tool use and care

- ▶ **Do not force the power tool. Use the correct power tool for your application.** The correct power tool will do the job better and safer at the rate for which it was designed.
- ▶ **Do not use the power tool if the switch does not turn it on and off.** Any power tool that cannot be controlled with the switch is dangerous and must be repaired.
- ▶ **Disconnect the plug from the power source and/or the battery pack from the power tool before making any adjustments, changing accessories, or storing power tools.** Such preventive safety measures reduce the risk of starting the power tool accidentally.
- ▶ **Store idle power tools out of the reach of children and do not allow persons unfamiliar with the power tool or these instructions to operate the power tool.** Power tools are dangerous in the hands of untrained users.
- ▶ **Maintain power tools. Check for misalignment or binding of moving parts, breakage of parts and any other condition that may affect the power tool's operation. If damaged, have the power tool repaired before use.** Many accidents are caused by poorly maintained power tools.
- ▶ **Keep cutting tools sharp and clean.** Properly maintained cutting tools with sharp cutting edges are less likely to bind and are easier to control.
- ▶ **Use the power tool, accessories and tool bits etc. in accordance with these instructions, taking into account the working conditions and the work to be performed.** Use of the power tool for operations different from those intended could result in a hazardous situation.

## Service

- ▶ **Have your power tool serviced by a qualified repair person using only identical replacement parts.** This will ensure that the safety of the power tool is maintained.

## Safety Warnings for Sabre Saws

- ▶ **Hold power tool by insulated gripping surfaces, when performing an operation where the cutting accessory may contact hidden wiring or its own cord.** Cutting accessory contacting a "live" wire may make exposed metal parts of the power tool "live" and could give the operator an electric shock.
- ▶ **Keep hands away from the sawing range. Do not reach under the workpiece.** Contact with the saw blade can lead to injuries.
- ▶ **Apply the machine to the workpiece only when switched on.** Otherwise there is danger of kickback when the cutting tool jams in the workpiece.
- ▶ **When sawing, the adjustable footplate 2 must always faces against the workpiece.** The saw blade can become wedged and lead to loss of control over the machine.
- ▶ **When the cut is completed, switch off the machine and then pull the saw blade out of the cut only after it has come to a standstill.** In this manner you can avoid kickback and can place down the machine securely.
- ▶ **Use only undamaged saw blades that are in perfect condition.** Bent or dull saw blades can break, negatively influence the cut, or lead to kickback.
- ▶ **Do not brake the saw blade to a stop by applying side pressure after switching off.** The saw blade can be damaged, break or cause kickback.
- ▶ **Clamp material well. Do not support the workpiece with your hand or foot. Do not touch objects or the floor with the the saw running.** Danger of kickback.

- ▶ **Use suitable detectors to determine if utility lines are hidden in the work area or call the local utility company for assistance.** Contact with electric lines can lead to fire and electric shock. Damaging a gas line can lead to explosion. Penetrating a water line causes property damage or may cause an electric shock.
- ▶ **When working with the machine, always hold it firmly with both hands and provide for a secure stance.** The power tool is guided more secure with both hands.
- ▶ **Secure the workpiece.** A workpiece clamped with clamping devices or in a vice is held more secure than by hand.
- ▶ **Always wait until the machine has come to a complete stop before placing it down.** The tool insert can jam and lead to loss of control over the power tool.
- ▶ **Products sold in GB only:** Your product is fitted with an BS 1363/A approved electric plug with internal fuse (ASTA approved to BS 1362).  
If the plug is not suitable for your socket outlets, it should be cut off and an appropriate plug fitted in its place by an authorised customer service agent. The replacement plug should have the same fuse rating as the original plug.  
The severed plug must be disposed of to avoid a possible shock hazard and should never be inserted into a mains socket elsewhere.
- ▶ **Products sold in AUS and NZ only:** Use a residual current device (RCD) with a rated residual current of 30 mA or less.

## Product Description and Specifications



**Read all safety warnings and all instructions.** Failure to follow the warnings and instructions may result in electric shock, fire and/or serious injury.

### Intended Use

The machine is intended for sawing wood, plastic, metal and building materials while resting firmly on the workpiece. It is suitable for straight and curved cuts. When using the appropriate bimetal saw blades, it is possible to cut flush to the workpiece surface. The saw blade recommendations must be observed.

### Product Features

The numbering of the product features refers to the illustration of the machine on the graphics page.

- 1 Saw blade\*
- 2 Base plate
- 3 Saw blade holder
- 4 SDS clamping lever for saw blade release
- 5 On/Off switch
- 6 Handle (insulated gripping surface)
- 7 Clamping plate

**\*Accessories shown or described are not part of the standard delivery scope of the product. A complete overview of accessories can be found in our accessories program.**

## Technical Data

Sabre saw		PSA 700 E
Article number		3 603 CA7 0..
Rated power input	W	710
Stroke rate at no load $n_0$	min <sup>-1</sup>	0 – 2700
Tool holder		SDS
Stroke rate control		●
Stroke	mm	20
Cutting depth, max.		
– in wood	mm	150
– in non-alloy steel	mm	10
– Pipe diameter	mm	115
Weight according to EPTA-Procedure 01/2003	kg	3
Protection class		□/II

The values given are valid for a nominal voltage [U] of 230 V. For different voltages and models for specific countries, these values can vary.

## Noise/Vibration Information

Measured sound values determined according to EN 60745. Typically the A-weighted noise levels of the product are: Sound pressure level 86 dB(A); Sound power level 97 dB(A). Uncertainty K = 3 dB.

### Wear hearing protection!

Vibration total values  $a_h$  (triax vector sum) and uncertainty K determined according to EN 60745:  
Cutting board:  $a_h = 13.5 \text{ m/s}^2$ ,  $K = 1.5 \text{ m/s}^2$ ,  
Cutting wooden beam:  $a_h = 15.5 \text{ m/s}^2$ ,  $K = 1.5 \text{ m/s}^2$ .

The vibration emission level given in this information sheet has been measured in accordance with a standardised test given in EN 60745 and may be used to compare one tool with another. It may be used for a preliminary assessment of exposure.

The declared vibration emission level represents the main applications of the tool. However if the tool is used for different applications, with different accessories or poorly maintained, the vibration emission may differ. This may significantly increase the exposure level over the total working period. An estimation of the level of exposure to vibration should also take into account the times when the tool is switched off or when it is running but not actually doing the job. This may significantly reduce the exposure level over the total working period.

Identify additional safety measures to protect the operator from the effects of vibration such as: maintain the tool and the accessories, keep hands warm, organise work patterns.

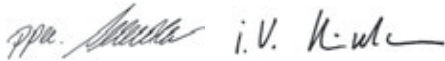
## Declaration of Conformity

We declare under our sole responsibility that the product described under "Technical Data" is in conformity with the following standards or standardization documents: EN 60745 according to the provisions of the directives 2011/65/EU, 2004/108/EC, 2006/42/EC.

## 12 | English

Technical file (2006/42/EC) at:  
Robert Bosch GmbH, PT/ETM9,  
D-70745 Leinfelden-Echterdingen

Dr. Egbert Schneider Senior Vice President Engineering	Helmut Heinzelmann Head of Product Certification PT/ETM9
--	--



Robert Bosch GmbH, Power Tools Division  
D-70745 Leinfelden-Echterdingen  
Leinfelden, 19.03.2012

## Assembly

### Replacing/Inserting the Saw Blade

- ▶ **Before any work on the machine itself, pull the mains plug.**
- ▶ **When mounting the saw blade, wear protective gloves.**  
Danger of injury when touching the saw blade.
- ▶ **When changing the saw blade, take care that the saw blade holder is free of material residue, e.g. wood or metal shavings.**

### Selecting a Saw Blade

An overview of recommended saw blades can be found at the end of these instructions. Use only ½" universal shank saw blades. The saw blade should not be longer than required for the intended cut.

The shank thickness of the saw blade must be 0.8 – 1.6 mm. Use a thin saw blade for narrow curve cuts.

### Inserting the Saw Blade (see figure A)

Press the SDS clamping lever **4** forward and guide the saw blade **1** behind the clamping plate **7** into the saw blade holder **3**. Release the SDS clamping lever **4**.

- ▶ **Check the tight seating by pulling on the saw blade.**  
A loose saw blade can fall out and cause injury.

For certain work, the saw blade **1** can also be turned through 180° (with the teeth pointed upwards) and re-inserted again.

### Removing the Saw Blade

- ▶ **Before removing, allow the saw blade to cool down.**  
Danger of injury when touching the hot saw blade.

Press the SDS clamping lever **4** forward and pull out the saw blade **1**. Release the SDS clamping lever **4**.

### Dust/Chip Extraction

- ▶ Dusts from materials such as lead-containing coatings, some wood types, minerals and metal can be harmful to one's health. Touching or breathing-in the dusts can cause allergic reactions and/or lead to respiratory infections of the user or bystanders.  
Certain dusts, such as oak or beech dust, are considered as carcinogenic, especially in connection with wood-treatment additives (chromate, wood preservative). Materials containing asbestos may only be worked by specialists.
  - Provide for good ventilation of the working place.
  - It is recommended to wear a P2 filter-class respirator.

Observe the relevant regulations in your country for the materials to be worked.

- ▶ **Prevent dust accumulation at the workplace.** Dusts can easily ignite.

## Operation

### Starting Operation

- ▶ **Observe correct mains voltage! The voltage of the power source must agree with the voltage specified on the nameplate of the machine. Power tools marked with 230 V can also be operated with 220 V.**

### Switching On and Off

To **start** the machine, press the On/Off switch **5** and keep it pressed.

To switch off the machine, **release** the On/Off switch **5**.

**Note:** For safety reasons, the On/Off switch **5** cannot be locked; it must remain pressed during the entire operation.

When not using the power tool, switch it off in order to save energy.

### Controlling the Stroke Rate

Increasing or reducing the pressure on the On/Off switch **5** enables stepless stroke-rate control of the switched-on machine.

Light pressure on the On/Off switch **5** results in a low stroke rate. Increasing the pressure also increases the stroke rate.

The required stroke rate is dependent on the material and the working conditions and can be determined by a practical trial.

Reducing the stroke rate is recommended when the saw blade engages in the material as well as when sawing plastic and aluminium.

After longer periods of work at low stroke rate, the machine can heat up considerably. Allow the machine to cool down by running it for approx. 3 minutes at maximum stroke rate.

### Working Advice

- ▶ **Before any work on the machine itself, pull the mains plug.**

### Tips

- ▶ **When sawing light building materials, observe the statutory provisions and the recommendations of the material suppliers.**

Check wood, press boards, building materials, etc. for foreign objects such as nails, screws or similar, and always use the correct sawblade.

Switch the machine on and guide it toward the workpiece. Position the footplate **2** onto the surface of the work and saw through the material applying uniform contact pressure and feed. After completing the working procedure, switch the machine off.

If the saw blade should jam, switch the machine off immediately. Widen the gap somewhat with a suitable tool and pull out the machine.



**Pivoting Footplate (see figure B)**

Due to its movability, the adjustable footplate **2** adapts to the required angular position of the surface.

**Plunge Cutting (see figures C – D)**

► **The plunge cutting procedure is only suitable for treating soft materials such as wood, plaster board or similar! Do not work metal materials with the plunge cutting procedure!**

Use only short saw blades for plunge cutting.

Place the machine with the edge of the footplate **2** onto the workpiece and switch on. For power tools with stroke speed control, set the maximum stroke speed. Press the power tool firmly against the workpiece and allow the saw blade to slowly plunge into the workpiece.

As soon as the footplate **2** fully lays on the surface of the workpiece, continue sawing alongside the desired cutting line.

For certain work, the saw blade **1** can also be inserted turned through by 180° and the sabre saw can be guided accordingly in a reversed manner.

**Flush Cuts (see figure E)**

Using elastic bimetal saw blades, items still attached to a wall (e. g. projecting building elements such as water pipes, etc.) can be sawn off flush at the wall.

► **Pay attention that the saw blade always extends beyond the diameter of the material being worked. There is danger of kickback.**

Position the saw blade directly against the wall and apply some lateral pressure via the tool until the footplate faces against the wall. Switch the power tool on and saw through the workpiece, applying constant lateral pressure.

**Coolant/Lubricant**

When sawing metal, coolant/lubricant should be applied alongside cutting line because of the material heating up.

**Maintenance and Service****Maintenance and Cleaning**

- **Before any work on the machine itself, pull the mains plug.**
- **For safe and proper working, always keep the machine and ventilation slots clean.**

Clean the saw blade holder preferably with compressed air or a soft brush. Remove the saw blade from the power tool for this. Ensure proper operation of the saw blade holder by applying a suitable lubricant.

Heavy contamination of the machine can lead to malfunctions. Therefore, do not saw materials that produce a lot of dust from below or overhead.

If the replacement of the supply cord is necessary, this has to be done by Bosch or an authorized Bosch service agent in order to avoid a safety hazard.

If the machine should fail despite the care taken in manufacturing and testing procedures, repair should be carried out by an after-sales service centre for Bosch power tools.

In all correspondence and spare parts order, please always include the 10-digit article number given on the type plate of the machine.

**After-sales Service and Customer Assistance**

Our after-sales service responds to your questions concerning maintenance and repair of your product as well as spare parts. Exploded views and information on spare parts can also be found under:

**www.bosch-pt.com**

Our customer service representatives can answer your questions concerning possible applications and adjustment of products and accessories.

**Great Britain**

Robert Bosch Ltd. (B.S.C.)  
P. O. Box 98  
Broadwater Park  
North Orbital Road  
Denham  
Uxbridge  
UB 9 5HJ  
Tel. Service: +44 (0844) 736 0109  
Fax: +44 (0844) 736 0146  
E-Mail: boschservicecentre@bosch.com

**Ireland**

Origo Ltd.  
Unit 23 Magna Drive  
Magna Business Park  
City West  
Dublin 24  
Tel. Service: +353 (01) 4 66 67 00  
Fax: +353 (01) 4 66 68 88

**Australia, New Zealand and Pacific Islands**

Robert Bosch Australia Pty. Ltd.  
Power Tools  
Locked Bag 66  
Clayton South VIC 3169  
Customer Contact Center  
Inside Australia:  
Phone: +61 (01300) 307 044  
Fax: +61 (01300) 307 045  
Inside New Zealand:  
Phone: +64 (0800) 543 353  
Fax: +64 (0800) 428 570  
Outside AU and NZ:  
Phone: +61 (03) 9541 5555  
www.bosch.com.au

**Republic of South Africa**

**Customer service**  
Hotline: +27 (011) 6 51 96 00

**Gauteng – BSC Service Centre**

35 Roper Street, New Centre  
Johannesburg  
Tel.: +27 (011) 4 93 93 75  
Fax: +27 (011) 4 93 01 26  
E-Mail: bsctools@icon.co.za

**14 | English****KZN – BSC Service Centre**

Unit E, Almar Centre  
143 Crompton Street  
Pinetown  
Tel.: +27 (031) 7 01 21 20  
Fax: +27 (031) 7 01 24 46  
E-Mail: bsc.dur@za.bosch.com

**Western Cape – BSC Service Centre**

Democracy Way, Prosperity Park  
Milnerton  
Tel.: +27 (021) 5 51 25 77  
Fax: +27 (021) 5 51 32 23  
E-Mail: bsc@zsd.co.za

**Bosch Headquarters**

Midrand, Gauteng  
Tel.: +27 (011) 6 51 96 00  
Fax: +27 (011) 6 51 98 80  
E-Mail: rbsa-hq.pts@za.bosch.com

**People's Republic of China****China Mainland**

Bosch Power Tools (China) Co., Ltd.  
567, Bin Kang Road  
Bin Jiang District 310052  
Hangzhou, P. R. China  
Service Hotline: 400 826 8484  
Fax: +86 571 8777 4502  
E-Mail: contact.ptcn@cn.bosch.com  
www.bosch-pt.com.cn

**HK and Macau Special Administrative Regions**

Robert Bosch Hong Kong Co. Ltd.  
21st Floor, 625 King's Road  
North Point, Hong Kong  
Customer Service Hotline: +852 2101 0235  
Fax: +852 2590 9762  
E-Mail: info@hk.bosch.com  
www.bosch-pt.com.hk

**Indonesia**

PT. Multi Mayaka  
Kawasan Industri Pulogadung  
Jalan Rawa Gelam III No. 2  
Jakarta 13930  
Indonesia  
Tel.: +62 (21) 46 83 25 22  
Fax: +62 (21) 46 82 86 45/68 23  
E-Mail: sales@multimayaka.co.id  
www.bosch-pt.co.id

**Philippines**

Robert Bosch, Inc.  
28th Floor Fort Legend Towers,  
3rd Avenue corner 31st Street,  
Fort Bonifacio Global City,  
1634 Taguig City, Philippines  
Tel.: +63 (2) 870 3871  
Fax: +63 (2) 870 3870  
matheus.contiero@ph.bosch.com  
www.bosch-pt.com.ph

Bosch Service Center:  
9725-27 Kamagong Street  
San Antonio Village  
Makati City, Philippines  
Tel.: +63 (2) 899 9091  
Fax: +63 (2) 897 6432  
rosalie.dagdagan@ph.bosch.com

**Malaysia**

Robert Bosch (S.E.A.) Sdn. Bhd.  
No. 8A, Jalan 13/6  
G.P.O. Box 10818  
46200 Petaling Jaya  
Selangor, Malaysia  
Tel.: +60 (3) 7966 3194  
Fax: +60 (3) 7958 3838  
cheehoe.on@my.bosch.com  
Toll-Free: 1800 880 188  
www.bosch-pt.com.my

**Thailand**

Robert Bosch Ltd.  
Liberty Square Building  
No. 287, 11 Floor  
Silom Road, Bangrak  
Bangkok 10500  
Tel.: +66 (2) 6 31 18 79 – 18 88 (10 lines)  
Fax: +66 (2) 2 38 47 83  
Robert Bosch Ltd., P. O. Box 2054  
Bangkok 10501, Thailand  
  
Bosch Service – Training Centre  
2869-2869/1 Soi Ban Kluay  
Rama IV Road (near old Paknam Railway)  
Prakanong District  
10110 Bangkok  
Thailand  
Tel.: +66 (2) 6 71 78 00 – 4  
Fax: +66 (2) 2 49 42 96  
Fax: +66 (2) 2 49 52 99

**Singapore**

Robert Bosch (SEA) Pte. Ltd.  
11 Bishan Street 21  
Singapore 573943  
Tel.: +65 6571 2772  
Fax: +65 6350 5315  
leongheng.leow@sg.bosch.com  
Toll-Free: 1800 333 8333  
www.bosch-pt.com.sg

**Vietnam**

Robert Bosch Vietnam Co. Ltd  
10/F, 194 Golden Building  
473 Dien Bien Phu Street  
Ward 25, Binh Thanh District  
84 Ho Chi Minh City  
Vietnam  
Tel.: +84 (8) 6258 3690 ext. 413  
Fax: +84 (8) 6258 3692  
hieu.lagia@vn.bosch.com  
www.bosch-pt.com