



**Robert Bosch GmbH**

Power Tools Division  
70745 Leinfelden-Echterdingen  
Germany

[www.bosch-pt.com](http://www.bosch-pt.com)

1 609 929 X94 (2011.01) PS / 95 UNI



1 609 929 X94

## GTA 600 Professional

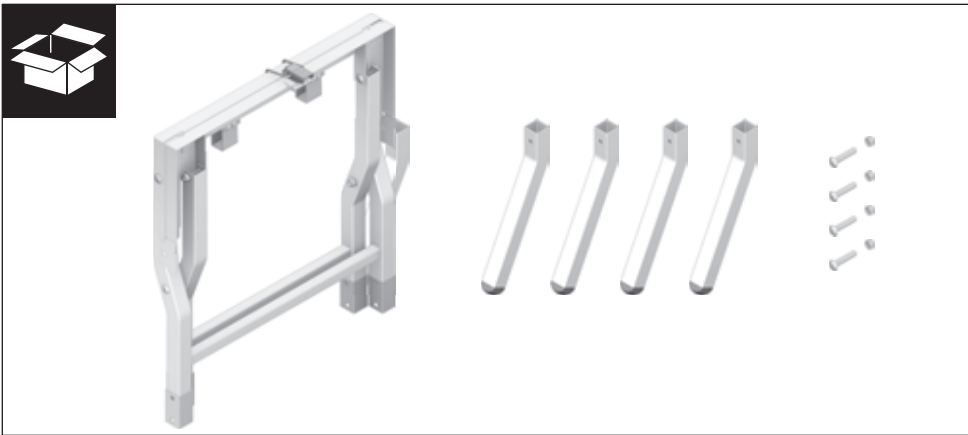


**de** Originalbetriebsanleitung  
**en** Original instructions  
**fr** Notice originale  
**es** Manual original  
**pt** Manual original  
**it** Istruzioni originali  
**nl** Oorspronkelijke  
gebruiksaanwijzing  
**da** Original brugsanvisning  
**sv** Bruksanvisning i original  
**no** Original driftsinstruks  
**fi** Alkuperäiset ohjeet

**el** Πρωτότυπο οδηγιών χρήσης  
**tr** Orijinal işletme talimatı  
**pl** Instrukcja oryginalna  
**cs** Původní návod k používání  
**sk** Pôvodný návod na použitie  
**hu** Eredeti használati utasítás  
**ru** Оригинальное руководство  
по эксплуатации  
**uk** Оригінальна інструкція з  
експлуатації  
**ro** Instrucțiuni originale  
**bg** Оригинална инструкция

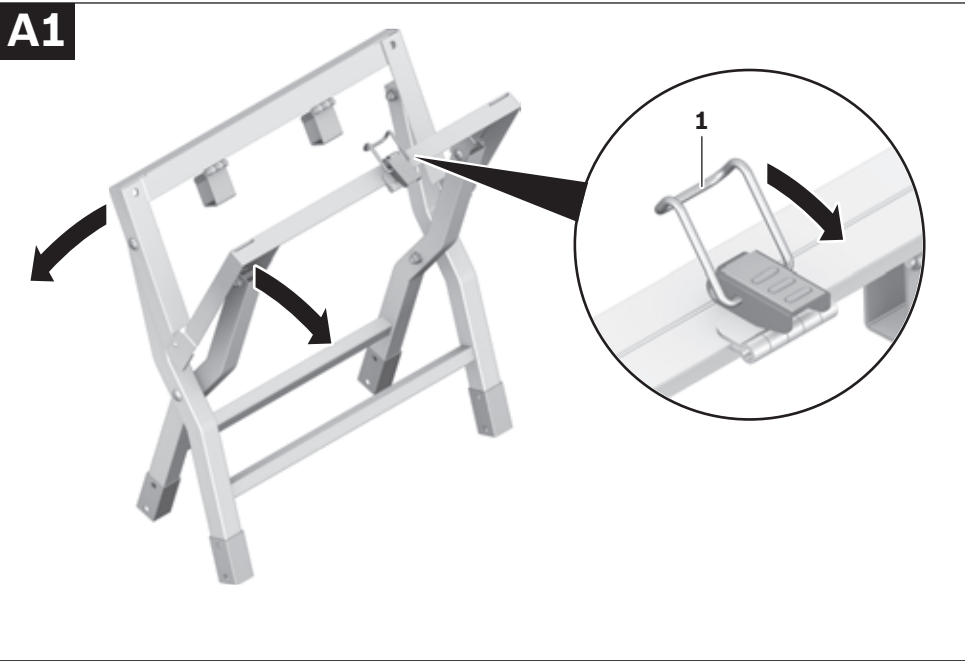
**sr** Originalno uputstvo za rad  
**sl** Izvirna navodila  
**hr** Originalne upute za rad  
**et** Algupärane kasutusjuhend  
**lv** Instrukcijas oriģinālvalodā  
**lt** Originali instrukcija  
**ar** تعليمات التشغيل الأصلية  
**fa** راهنمای طرز کار اصلی



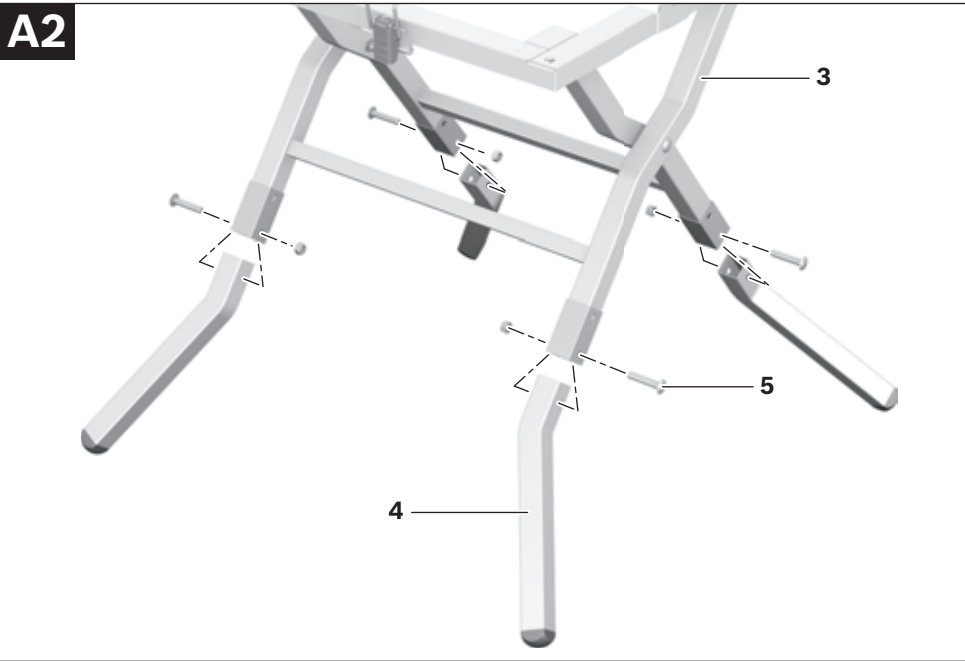


4 |

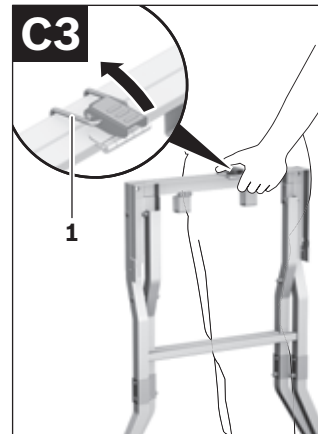
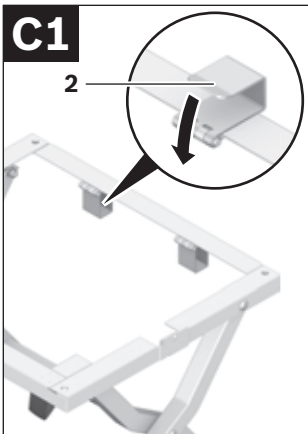
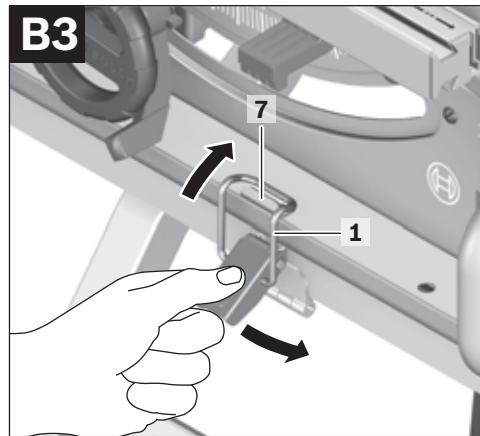
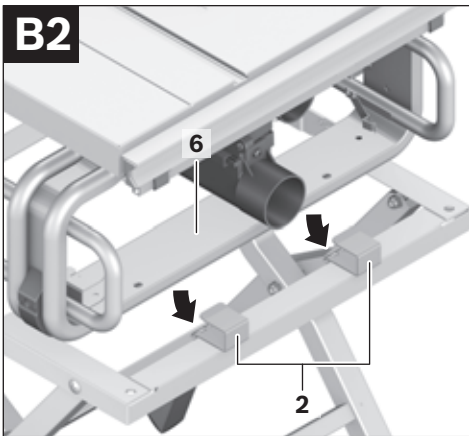
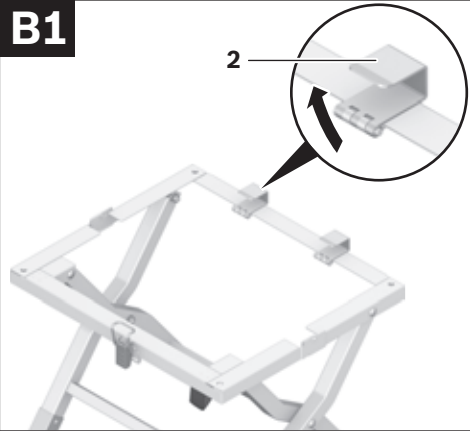
**A1**



**A2**



**GTS 10 J  
Professional**



## Safety Notes

### General Safety Rules



**Read all warning notes and instructions enclosed with the saw stand and the power tool to be mounted.** Failure to follow the warnings and instructions may result in electric shock, fire and/or serious injury.


### Safety Warnings for Saw Stands

- ▶ **Pull the plug from the mains receptacle and/or remove the battery from the power tool before making adjustments on the tool or changing tool accessories.** Unintentional switching on of the power tool is the cause of many accidents.
- ▶ **Assemble the saw stand in the proper manner before mounting the power tool.** Proper assembly is important to prevent the risk of a collapse of the saw stand.
- ▶ **Attach the power tool securely to the saw stand before using it.** Slipping off of the power tool on the saw stand can lead to loss of control.
- ▶ **Place the saw stand on a firm, level and horizontal surface.** If the saw stand can slip off or wobble, the workpiece cannot be uniformly and securely guided.
- ▶ **Do not overload the saw stand and do not use it as a ladder or scaffolding.** Overloading or standing on the saw stand can lead to the upward shifting of the centre of gravity of the stand and its tipping over.
- ▶ **Do not ram the workpiece with force into the saw blade.** When too much force is applied when using the power tool, the saw stand can be tipped over.
- ▶ **When working, take care that all bolts and connecting elements are firmly tightened.** Loose connections can lead to instability and inexact sawing.
- ▶ **Ensure that long and heavy workpieces do not affect the equilibrium of the saw stand.** Long and/or heavy workpieces must be supported at the free end.

- ▶ **Keep your fingers clear of the hinge points while pushing the saw stand together or pulling it apart.** Danger of fingers being crushed or contused.

## Symbols

The following symbols can be important for the operation of your saw stand. Please memorise the symbols and their meanings. The correct interpretation of the symbols helps you operate the saw stand better and more secure.

Symbol	Meaning
	The maximum carrying capacity (power tool + workpiece) of the saw stand is 60 kg.

## Product Description and Specifications

### Intended Use

The saw stand is intended to accommodate the following stationary saws from Bosch (as of 2011.01):

– GTS 10 J Professional 3 601 M30 5..

Together with the power tool, the saw stand is intended for the cutting to length of boards and profiles.

### Technical Data

Saw stand	GTA 600 Professional	
Article number		3 601 M22 001
Dimensions of base frame	mm	450 x 520
Height of saw stand	mm	602
Max. carrying capacity (power tool + workpiece)	kg	60
Weight, approx.	kg	6.3

**10 | English****Product Features**

The numbering of the product features refers to the illustration of the saw stand on the graphics pages.

- 1** Tension latch
- 2** Retaining clamp
- 3** Base frame
- 4** Saw stand leg
- 5** Fastening kit
- 6** Housing frame (GTS 10 J Professional)
- 7** Strike (GTS 10 J Professional)

**Accessories shown or described are not part of the standard delivery scope of the product. A complete overview of accessories can be found in our accessories program.**

**Assembly****Delivery Scope**

Please also observe the representation of the delivery scope at the beginning of the operating instructions.

Before assembling the saw stand, check if all parts listed below are provided:

- Base frame **3**
- Saw stand legs **4** (4 pcs.)
- Fastening kit **5** consisting of:  
Phillips screws M8 x 45 (4 pcs.),  
Lock nuts M8 (4 pcs.)

**Additionally required tools (not in delivery scope):**

- Phillips screwdriver
- Open-end spanner (13 mm)

**Assembling the Saw Stand (see figures A1 – A2)**

- Carefully remove all parts included in the delivery from their packaging.
- Remove all packaging material.
- Undo tension latch **1** and pull the base frame **3** apart.

- Insert the saw stand legs **4** into the square tubing of base frame **3** until the mounting holes are aligned.  
The saw stand legs must face outward.
- Screw the saw stand legs and the base frame together with the screws and nuts of fastening kit **5**.

**Fastening the Power Tool (see figures B1 – B3)**

- Tilt both retaining clamps **2** upward.
- Slide the rear housing frame **6** of the power tool completely into the retaining clamps **2**.
- Centre the power tool on the base frame.
- Hang the clip of tension latch **1** over strike **7** and fold down the latch to lock the power tool in place.

**Operation****Working Advice**

Do not overload the saw stand. Always observe the maximum carrying capacity of the saw stand.

Always hold the workpiece firmly, especially the longer and more heavy section. After cutting through the workpiece, the centre of gravity may become dislocated in such an unfavourable manner that the saw stand tips over.

**Transport (see figures C1 – C3)**

- ▶ **When folding the saw stand together or apart, the power tool may not be mounted to the saw stand.**

The saw stand can be folded together for transport.

- Remove the power tool.
- Fold both retaining clamps **2** down.
- Fold the saw stand together.
- Hang the clip of tension latch **1** over the other side of base frame **3** and fold down the latch to lock the saw stand.

## Maintenance and Service

### Maintenance and Cleaning

If the saw stand should fail despite the care taken in manufacture and testing, repair should be carried out by an authorised customer services agent for Bosch power tools.

In all correspondence and spare parts orders, please always include the 10-digit article number given on the type plate of the saw stand.

### Disposal

The saw stand, accessories and packaging should be sorted for environmental-friendly recycling.

### After-sales Service and Customer Assistance

Our after-sales service responds to your questions concerning maintenance and repair of your product as well as spare parts. Exploded views and information on spare parts can also be found under: **www.bosch-pt.com**

Our customer service representatives can answer your questions concerning possible applications and adjustment of products and accessories.

#### Great Britain

Robert Bosch Ltd. (B.S.C.)  
P.O. Box 98  
Broadwater Park  
North Orbital Road  
Denham  
Uxbridge  
UB 9 5HJ  
Tel. Service: +44 (0844) 736 0109  
Fax: +44 (0844) 736 0146  
E-Mail: boschservicecentre@bosch.com

#### Ireland

Origo Ltd.  
Unit 23 Magna Drive  
Magna Business Park  
City West  
Dublin 24  
Tel. Service: +353 (01) 4 66 67 00  
Fax: +353 (01) 4 66 68 88

### Australia, New Zealand and Pacific Islands

Robert Bosch Australia Pty. Ltd.  
Power Tools  
Locked Bag 66  
Clayton South VIC 3169  
Customer Contact Center  
Inside Australia:  
Phone: +61 (01300) 307 044  
Fax: +61 (01300) 307 045  
Inside New Zealand:  
Phone: +64 (0800) 543 353  
Fax: +64 (0800) 428 570  
Outside AU and NZ:  
Phone: +61 (03) 9541 5555  
www.bosch.com.au

### Republic of South Africa

#### Customer service

Hotline: +27 (011) 6 51 96 00

#### Gauteng – BSC Service Centre

35 Roper Street, New Centre  
Johannesburg  
Tel.: +27 (011) 4 93 93 75  
Fax: +27 (011) 4 93 01 26  
E-Mail: bsctools@icon.co.za

#### KZN – BSC Service Centre

Unit E, Almar Centre  
143 Crompton Street  
Pinetown  
Tel.: +27 (031) 7 01 21 20  
Fax: +27 (031) 7 01 24 46  
E-Mail: bsc.dur@za.bosch.com

#### Western Cape – BSC Service Centre

Democracy Way, Prosperity Park  
Milnerton  
Tel.: +27 (021) 5 51 25 77  
Fax: +27 (021) 5 51 32 23  
E-Mail: bsc@zsd.co.za

#### Bosch Headquarters

Midrand, Gauteng  
Tel.: +27 (011) 6 51 96 00  
Fax: +27 (011) 6 51 98 80  
E-Mail: rbsa-hq.pts@za.bosch.com

**Subject to change without notice.**