



Robert Bosch GmbH

Power Tools Division
70745 Leinfelden-Echterdingen
Germany

www.bosch-pt.com

1 609 929 Y29 (2011.02) PS / 92 UNI



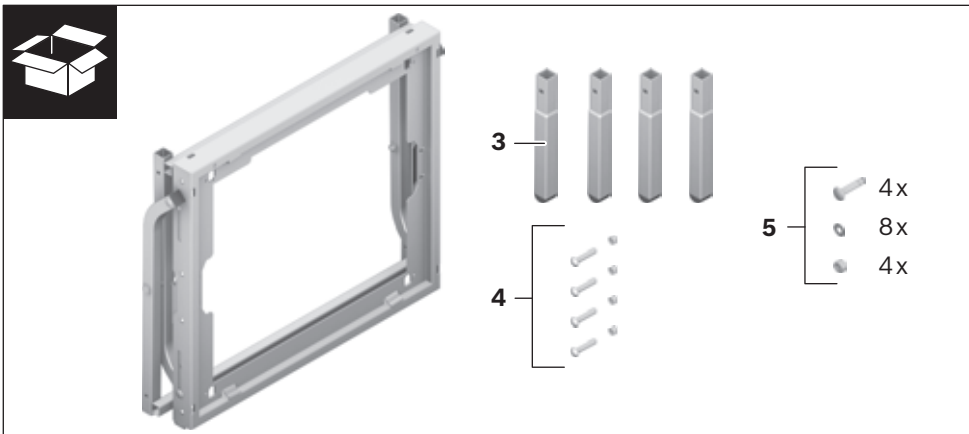
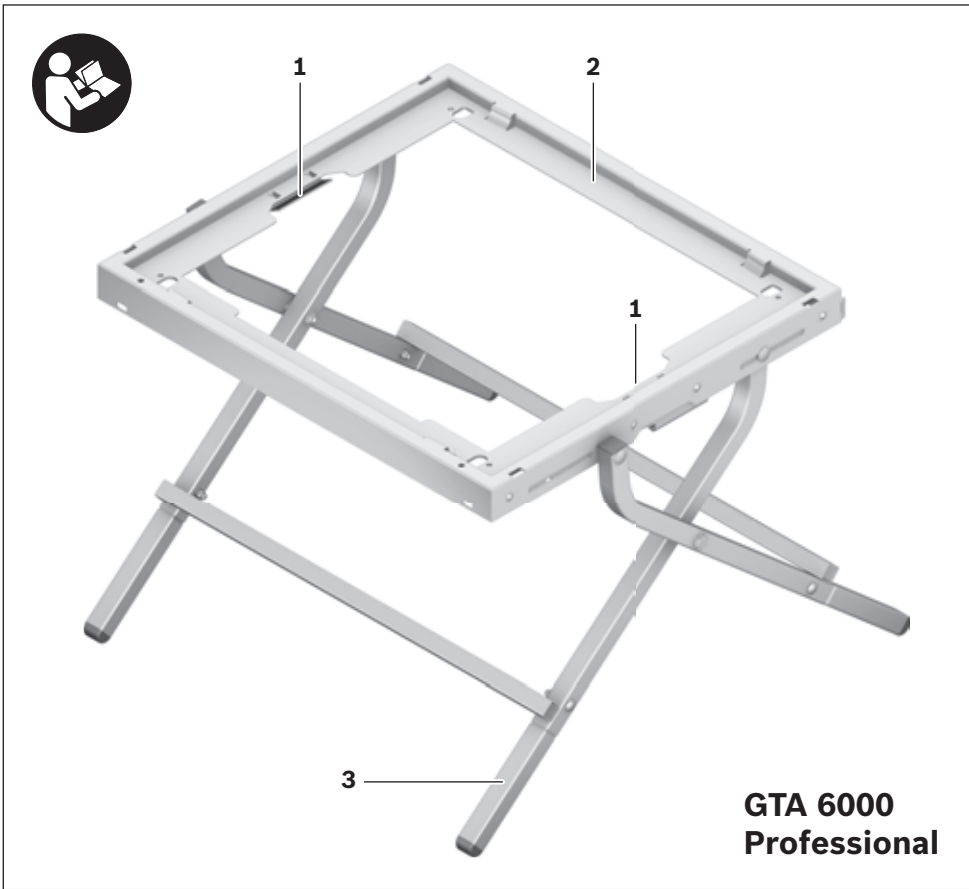
1 609 929 Y29

GTA 6000 Professional

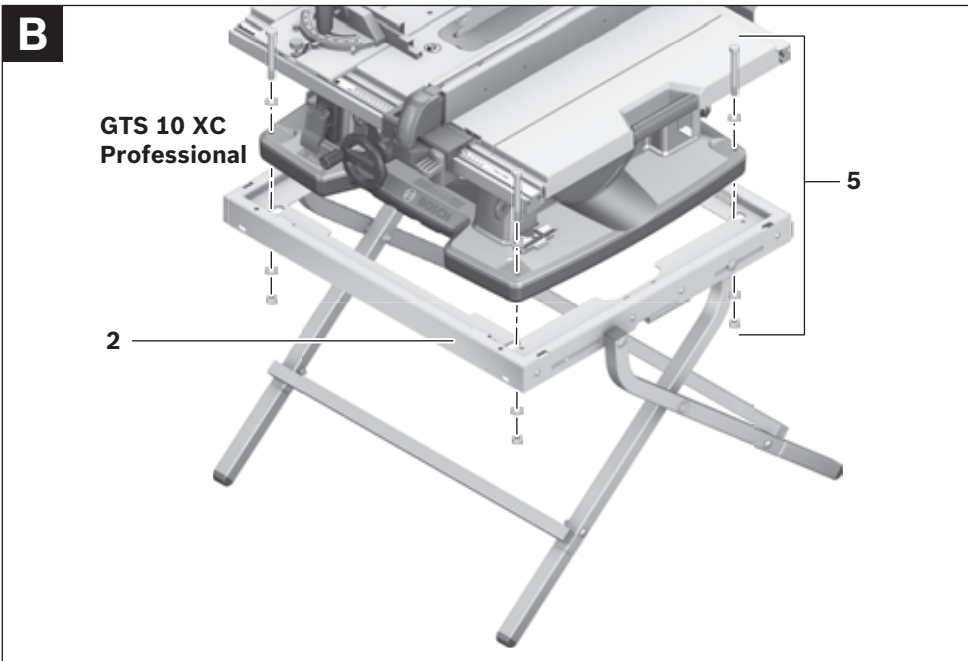
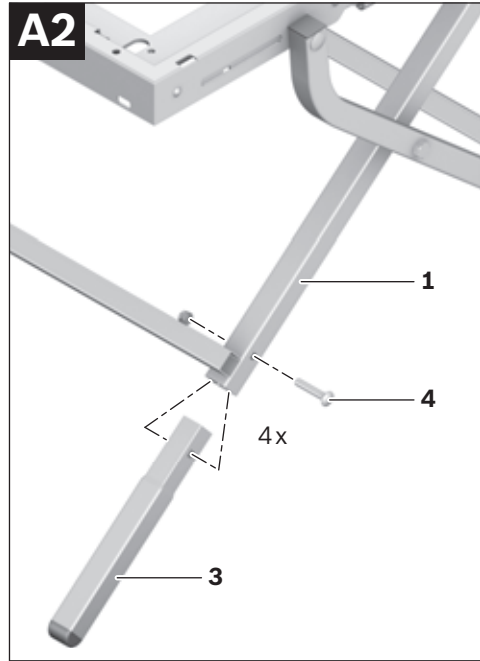
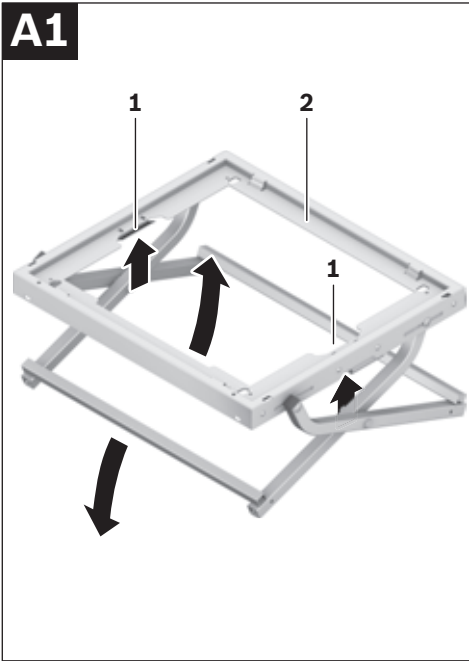


- | | | |
|--|--|---------------------------------------|
| de Originalbetriebsanleitung | el Πρωτότυπο οδηγιών χρήσης | sr Originalno uputstvo za rad |
| en Original instructions | tr Orijinal işletme talimatı | sl Izvirna navodila |
| fr Notice originale | pl Instrukcja oryginalna | hr Originalne upute za rad |
| es Manual original | cs Původní návod k používání | et Algupärane kasutusjuhend |
| pt Manual original | sk Pôvodný návod na použitie | lv Instrukcijas oriģinālvalodā |
| it Istruzioni originali | hu Eredeti használati utasítás | lt Originali instrukcija |
| nl Oorspronkelijke gebruiksaanwijzing | ru Оригинальное руководство по эксплуатации | ar تعليمات التشغيل الأصلية |
| da Original brugsanvisning | uk Оригінальна інструкція з експлуатації | fa راهنمای طرز کار اصلی |
| sv Bruksanvisning i original | ro Instrucțiuni originale | |
| no Original driftsinstruks | bg Оригинална инструкция | |
| fi Alkuperäiset ohjeet | | |





4 |



Safety Notes

General Safety Rules



Read all warning notes and instructions enclosed with the saw stand and the power tool to be mounted. Failure to follow the warnings and instructions may result in electric shock, fire and/or serious injury.


Safety Warnings for Saw Stands

- ▶ **Pull the plug from the mains receptacle and/or remove the battery from the power tool before making adjustments on the tool or changing tool accessories.** Unintentional switching on of the power tool is the cause of many accidents.
- ▶ **Assemble the saw stand in the proper manner before mounting the power tool.** Proper assembly is important to prevent the risk of a collapse of the saw stand.
- ▶ **Attach the power tool securely to the saw stand before using it.** Slipping off of the power tool on the saw stand can lead to loss of control.
- ▶ **Place the saw stand on a firm, level and horizontal surface.** If the saw stand can slip off or wobble, the workpiece cannot be uniformly and securely guided.
- ▶ **Do not overload the saw stand and do not use it as a ladder or scaffolding.** Overloading or standing on the saw stand can lead to the upward shifting of the centre of gravity of the stand and its tipping over.
- ▶ **Do not ram the workpiece with force into the saw blade.** When too much force is applied when using the power tool, the saw stand can be tipped over.
- ▶ **When working, take care that all bolts and connecting elements are firmly tightened.** Loose connections can lead to instability and inexact sawing.
- ▶ **Ensure that long and heavy workpieces do not affect the equilibrium of the saw stand.** Long and/or heavy workpieces must be supported at the free end.

- ▶ **Keep your fingers clear of the hinge points while pushing the saw stand together or pulling it apart.** Danger of fingers being crushed or contused.

Symbols

The following symbols can be important for the operation of your saw stand. Please memorise the symbols and their meanings. The correct interpretation of the symbols helps you operate the saw stand better and more secure.

Symbol	Meaning
	The maximum carrying capacity (power tool + workpiece) of the saw stand is 100 kg.

Product Description and Specifications

Intended Use

The saw stand is intended to accommodate the following stationary saws from Bosch:

- GTS 10 XC Professional 3 601 L30 4..

Together with the power tool, the saw stand is intended for the cutting to length of boards and profiles.

Product Features

The numbering of the product features refers to the illustration of the saw stand on the graphics pages.

- 1 Release lever
- 2 Base frame
- 3 Saw stand leg
- 4 Fastening kit
- 5 Fastening kit, power tool

Accessories shown or described are not part of the standard delivery scope of the product. A complete overview of accessories can be found in our accessories program.

Technical Data

Saw stand	GTA 6000 Professional	
Article number		0 601 B24 100
Dimensions of base frame	mm	670 x 750
Height of saw stand	mm	602
Max. carrying capacity (power tool + workpiece)	kg	100
Weight, approx.	kg	12.5

Assembly

Delivery Scope



Please also observe the representation of the delivery scope at the beginning of the operating instructions.

Before assembling the saw stand, check if all parts listed below are provided:

- Base frame **2**
- Saw stand legs **3** (4 pcs.)
- Fastening kit **4** consisting of:
 - Phillips screws M8 x 45 (4 pcs.),
 - Lock nuts M8 (4 pcs.)
- Fastening kit **5** consisting of:
 - Hexagon bolts, M8 x 75 (4 pcs.),
 - Washers M8/18 mm (8 pcs.),
 - Nuts M8 (4 pcs.)

Additionally required tools (not in delivery scope):

- Phillips screwdriver
- Open-end spanner (13 mm)

Assembling the Saw Stand (see figures A1 – A2)

- Carefully remove all parts included in the delivery from their packaging.
- Remove all packaging material.
- Place the folded together base frame **2** flat on the floor.
- Pull the base frame **2** up by the release levers **1**.
- Let go of the release levers **1** while pulling up, so that the saw stand can engage.
- Insert the saw stand legs **3** into the square tubing of base frame **2** so that the mounting holes are aligned.
- Screw the saw stand legs and the base frame together with the screws and nuts of fastening kit **4**.

Fastening the Power Tool (see figure B)

- Centre the power tool on the base frame.
- Fasten the machine to the base frame **2** with fastening kit **5**.

Operation

Working Advice

Do not overload the saw stand. Always observe the maximum carrying capacity of the saw stand.

Always hold the workpiece firmly, especially the longer and more heavy section. After cutting through the workpiece, the centre of gravity may become dislocated in such an unfavourable manner that the saw stand tips over.

Transport

- ▶ **When folding the saw stand together or apart, the power tool may not be mounted to the saw stand.**

The saw stand can be folded together for transport.

- Remove the power tool.
- Pull the release levers **1** upward and fold the saw stand together.

Maintenance and Service

Maintenance and Cleaning

If the saw stand should fail despite the care taken in manufacture and testing, repair should be carried out by an authorised customer services agent for Bosch power tools.

In all correspondence and spare parts orders, please always include the 10-digit article number given on the type plate of the saw stand.

Disposal

The saw stand, accessories and packaging should be sorted for environmental-friendly recycling.

After-sales Service and Customer Assistance

Our after-sales service responds to your questions concerning maintenance and repair of your product as well as spare parts. Exploded views and information on spare parts can also be found under:

www.bosch-pt.com

Our customer service representatives can answer your questions concerning possible applications and adjustment of products and accessories.

Great Britain

Robert Bosch Ltd. (B.S.C.)
P.O. Box 98
Broadwater Park
North Orbital Road
Denham
Uxbridge
UB 9 5HJ
Tel. Service: +44 (0844) 736 0109
Fax: +44 (0844) 736 0146
E-Mail: boschservicecentre@bosch.com

Ireland

Origo Ltd.
Unit 23 Magna Drive
Magna Business Park
City West
Dublin 24
Tel. Service: +353 (01) 4 66 67 00
Fax: +353 (01) 4 66 68 88

Australia, New Zealand and Pacific Islands

Robert Bosch Australia Pty. Ltd.
Power Tools
Locked Bag 66
Clayton South VIC 3169
Customer Contact Center
Inside Australia:
Phone: +61 (01300) 307 044
Fax: +61 (01300) 307 045
Inside New Zealand:
Phone: +64 (0800) 543 353
Fax: +64 (0800) 428 570
Outside AU and NZ:
Phone: +61 (03) 9541 5555
www.bosch.com.au

Republic of South Africa

Customer service

Hotline: +27 (011) 6 51 96 00

Gauteng – BSC Service Centre

35 Roper Street, New Centre
Johannesburg
Tel.: +27 (011) 4 93 93 75
Fax: +27 (011) 4 93 01 26
E-Mail: bsctools@icon.co.za

KZN – BSC Service Centre

Unit E, Almar Centre
143 Crompton Street
Pinetown
Tel.: +27 (031) 7 01 21 20
Fax: +27 (031) 7 01 24 46
E-Mail: bsc.dur@za.bosch.com

Western Cape – BSC Service Centre

Democracy Way, Prosperity Park
Milnerton
Tel.: +27 (021) 5 51 25 77
Fax: +27 (021) 5 51 32 23
E-Mail: bsc@zsd.co.za

Bosch Headquarters

Midrand, Gauteng
Tel.: +27 (011) 6 51 96 00
Fax: +27 (011) 6 51 98 80
E-Mail: rbsa-hq.pts@za.bosch.com

Subject to change without notice.