

Robert Bosch GmbH

Power Tools Division
70745 Leinfelden-Echterdingen
Germany

www.bosch-pt.com

1 618 C00 75G (2012.12) T / 185 UNI



1 618 C00 75G

GSL Professional

2 | 2 Set

RC 2 Professional



de Originalbetriebsanleitung
en Original instructions
fr Notice originale
es Manual original
pt Manual original
it Istruzioni originali
nl Oorspronkelijke gebruiksaanwijzing
da Original brugsanvisning
sv Bruksanvisning i original
no Original driftsinstruks
fi Alkuperäiset ohjeet

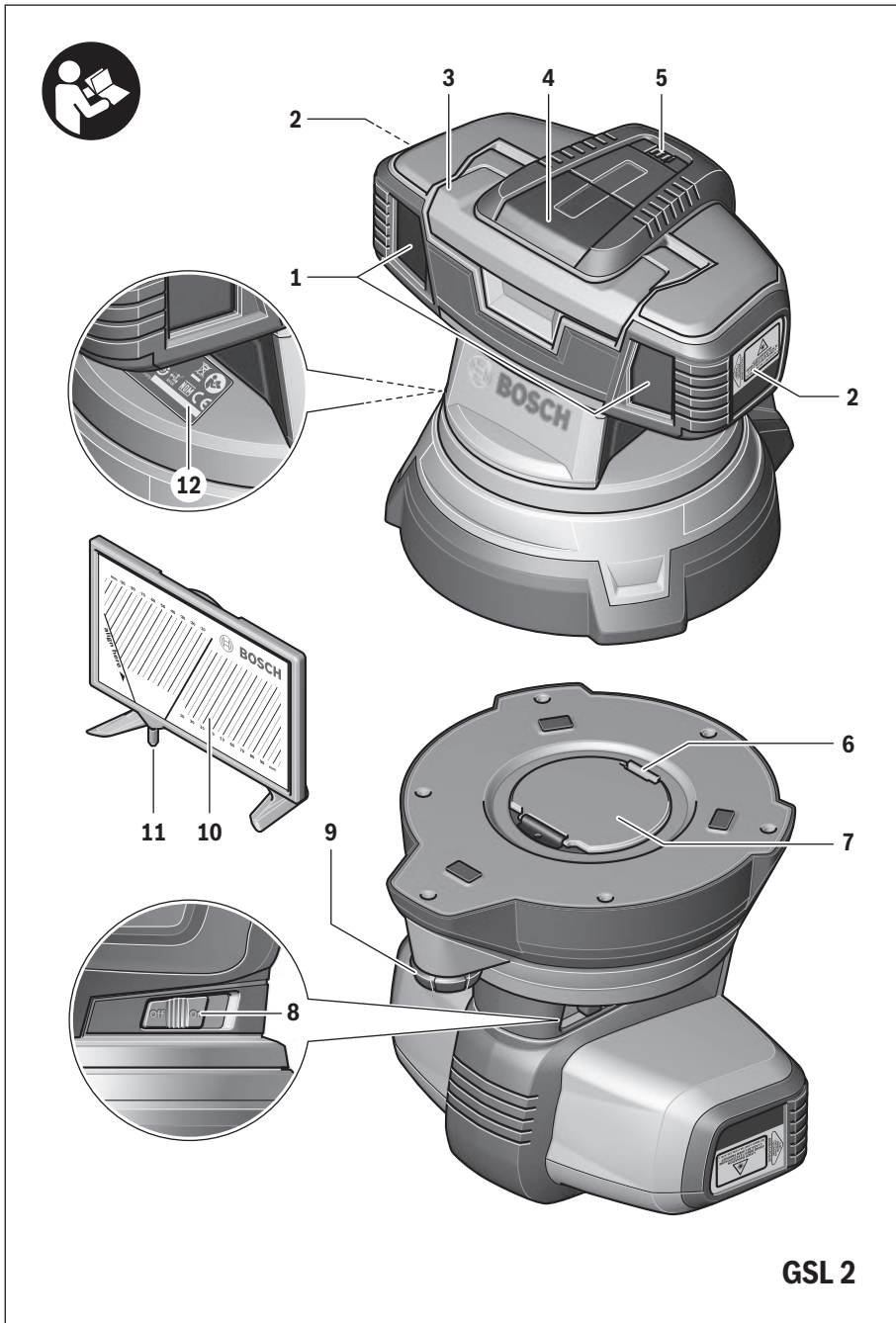
el Πρωτότυπο οδηγιών χρήσης
tr Orijinal işletme talimatı
pl Instrukcja oryginalna
cs Původní návod k používání
sk Pôvodný návod na použitie
hu Eredeti használati utasítás
ru Оригинальное руководство по эксплуатации
uk Оригінальна інструкція з експлуатації
ro Instrucțiuni originale
bg Оригинална инструкция

sr Originalno uputstvo za rad
sl Izvirna navodila
hr Originalne upute za rad
et Algupärane kasutusjuhend
lv Instrukcijas oriģinālvalodā
lt Originali instrukcija
ar تعليمات التشغيل الأصلية
fa دفترچه راهنمای اصلی



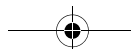
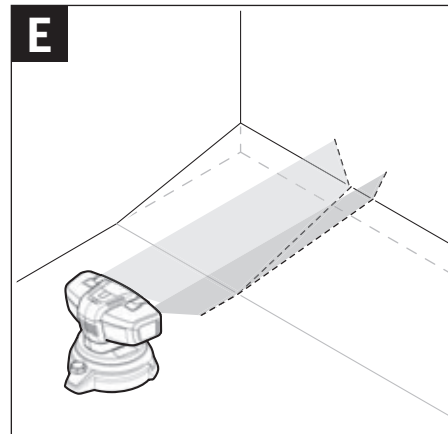
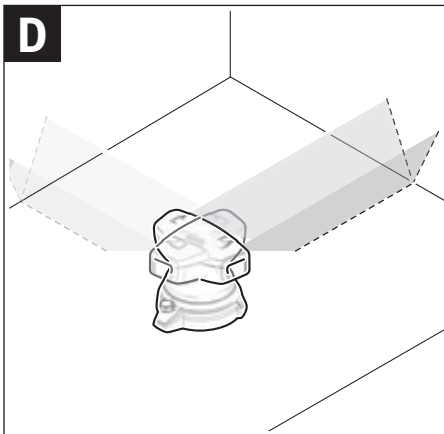
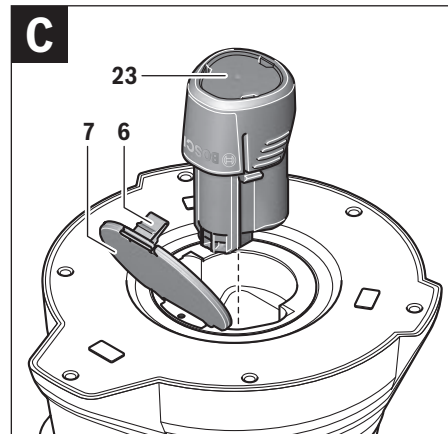
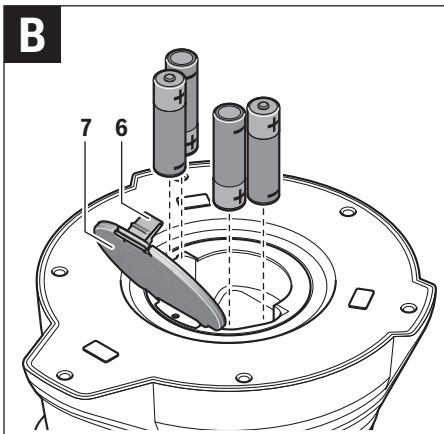
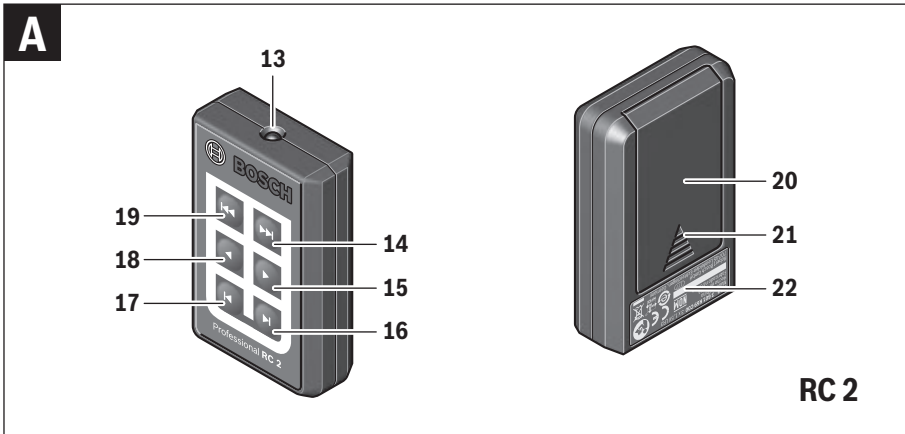


3 |

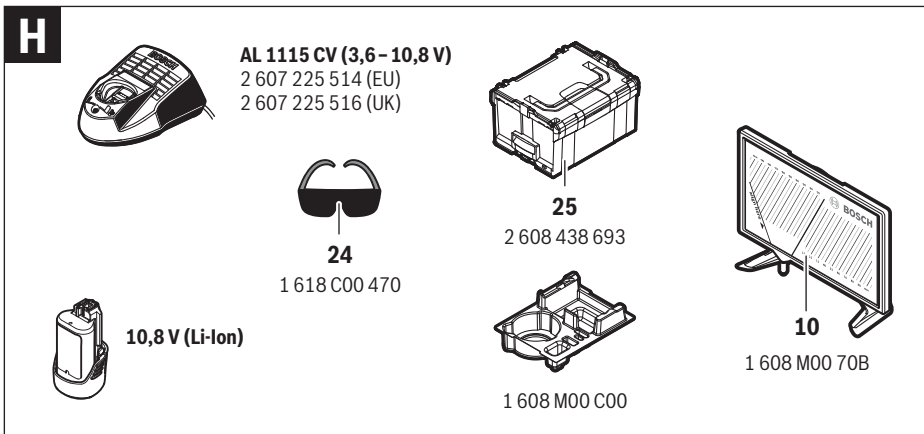
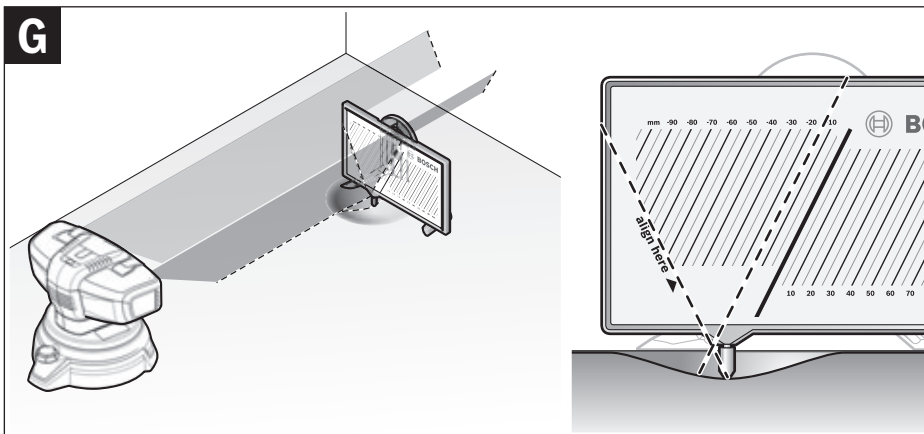
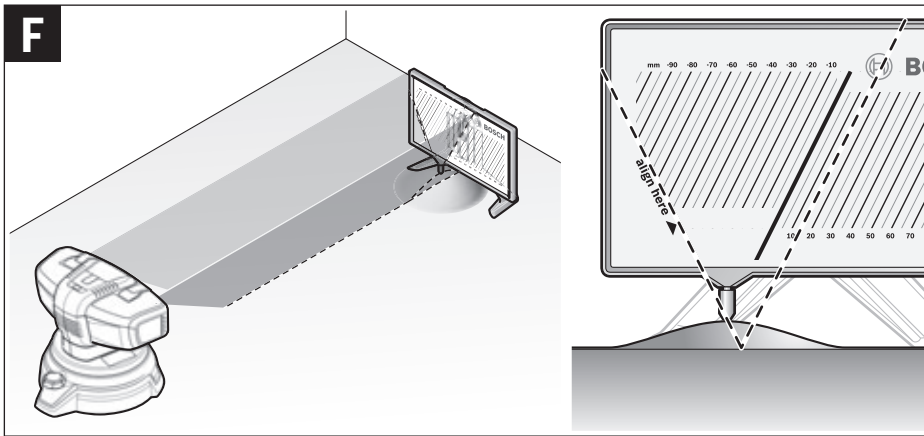




4 |



5 |



12 | English

Versenden Sie Akku nur, wenn das Gehäuse unbeschädigt ist. Kleben Sie offene Kontakte ab und verpacken Sie den Akku so, dass er sich nicht in der Verpackung bewegt. Bitte beachten Sie auch eventuelle weiterführende nationale Vorschriften.

Entsorgung

Oberflächenlaser, Fernbedienung, Akkus/Batterien, Zubehör und Verpackungen sollen einer umweltgerechten Wiederverwertung zugeführt werden.

Werfen Sie Oberflächenlaser, Fernbedienung und Akku/Batterien nicht in den Hausmüll!

Nur für EU-Länder:

Gemäß der europäischen Richtlinie 2002/96/EG müssen nicht mehr gebrauchsfähige Elektrogeräte und gemäß der europäischen Richtlinie 2006/66/EG müssen defekte oder verbrauchte Akkus/Batterien getrennt gesammelt und einer umweltgerechten Wiederverwendung zugeführt werden.

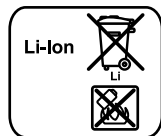
Nicht mehr gebrauchsfähige Akku/Batterien können direkt abgegeben werden bei:

Deutschland

Recyclingzentrum Elektrowerkzeuge
Osteroder Landstraße 3
37589 Kalefeld

Schweiz

Batrec AG
3752 Wimmis BE

Akkus/Batterien:**Li-Ion:**

Bitte beachten Sie die Hinweise im Abschnitt „Transport“, Seite 11.

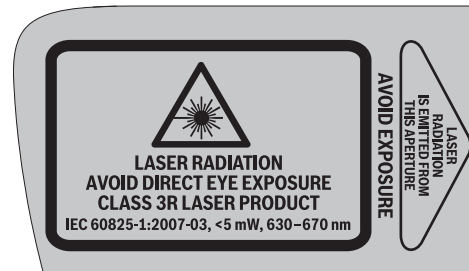
Änderungen vorbehalten.

English**Safety Notes****Surface laser**


Working safely with the measuring tool is possible only when the operating and safety information are read completely and the instructions contained therein are strictly followed. Never make warning labels on the measuring tool unrecognisable. SAVE THESE INSTRUCTIONS.

- ▶ **Caution** The use of other operating or adjusting equipment or the application of other processing methods than those mentioned here, can lead to dangerous radiation exposure.

- ▶ **The measuring tool is provided with two warning labels (each marked with number 2 in the representation of the measuring tool on the graphics page).**



- ▶ **If the text of the warning labels is not in your national language, stick the provided warning labels in your national language over it before operating for the first time.**
- ▶ **Do not direct the laser beam at persons or animals and do not look into the laser beam yourself.** This measuring tool generates laser radiation from class 3R according to IEC 60825-1. Looking directly into the laser beam – even from a greater distance – cause damages to the eyes.
- ▶ **Do not use the laser viewing glasses as safety goggles.** The laser viewing glasses are used for improved visualisation of the laser beam, but they do not protect against laser radiation.
- ▶ **Do not use the laser viewing glasses as sun glasses or in traffic.** The laser viewing glasses do not afford complete UV protection and reduce colour perception.
- ▶ **Have the measuring tool repaired only through qualified specialists using original spare parts.** This ensures that the safety of the measuring tool is maintained.
- ▶ **Avoid reflection of the laser beam on smooth surfaces such as windows or mirrors.** A reflected laser beam can also cause damage to the eye.
- ▶ **The measuring tool should be operated only by persons that are familiar with the handling of laser devices.** According to EN 60825-1, this includes, among other things, the knowledge about the biological effects of the laser to the eyes and the skin as well as the correct usage of laser protection devices in order to avoid dangers.
- ▶ **Do not operate the measuring tool in explosive environments, such as in the presence of flammable liquids, gases or dusts.** Sparks can be created in the measuring tool which may ignite the dust or fumes.
- ▶ **Always set up the measuring tool in such a manner that the laser beams run far above or below eye level.** This ensures that damage to the eyes will not occur.
- ▶ **Mark the area in which the measuring tool is being used with suitable laser warning labels.** This prevents persons not involved from accessing the danger area.
- ▶ **Do not store the measuring tool at locations, to which unauthorised persons have access.** Persons not familiar with the operation of the measuring tool can cause harm to themselves and to others.

- ▶ **When using a class 3R measuring tool, observe possible national regulations.** Non-observance of these regulations can lead to injury.
 - ▶ **Make sure that the area of laser radiation is monitored or shielded.** The limitation of laser radiation to controlled areas prevents eye damage to persons not involved.
 - ▶ **Before any work on the measuring tool itself (e.g. assembling, maintenance, etc.) as well as when transporting and storing, remove the battery pack or the batteries from the measuring tool.** Danger of injury when accidentally actuating the On/Off switch.
 - ▶ **Do not open the battery pack.** Danger of short-circuiting.
-  **Protect the battery pack against heat, e.g., against continuous intense sunlight, fire, water, and moisture.** Danger of explosion.
- ▶ **When battery pack is not in use, keep it away from other metal objects like paper clips, coins, keys, nails, screws, or other small metal objects that can make a connection from one terminal to another.** Shorting the battery terminals together may cause burns or a fire.
 - ▶ **Under abusive conditions, liquid may be ejected from the battery pack; avoid contact. If contact accidentally occurs, flush with water. If liquid contacts eyes, additionally seek medical help.** Liquid ejected from the battery pack may cause irritations or burns.
 - ▶ **In case of damage and improper use of the battery pack, vapours may be emitted. Provide for fresh air and seek medical help in case of complaints.** The vapours can irritate the respiratory system.
 - ▶ **Recharge only with the charger specified by the manufacturer.** A charger that is suitable for one type of battery pack may create a risk of fire when used with another battery pack.
 - ▶ **Use the battery pack only in conjunction with your Bosch measuring tool.** This measure alone protects the battery pack against dangerous overload.
 - ▶ **Use only original Bosch battery packs with the voltage listed on the nameplate of your measuring tool.** When using other battery packs, e.g. imitations, reconditioned battery packs or other brands, there is danger of injury as well as property damage through exploding battery packs.



Keep the measuring tool and the laser target plate 10 away from cardiac pacemakers. The magnets of the measuring tool and laser target plate generate a field that can impair the function of cardiac pacemakers.

- ▶ **Keep the measuring tool and the laser target plate 10 away from magnetic data medium and magnetically-sensitive equipment.** The effect of the magnets of the measuring tool and laser target plate can lead to irreversible data loss.

Remote Control (GSL 2 Set)



Read and observe all instructions. SAVE THESE INSTRUCTIONS FOR FUTURE REFERENCE.

- ▶ **Have the remote control repaired only through a qualified repair person and only using identical replacement parts.** This will ensure that the functionality of the remote control is maintained.
- ▶ **Do not operate the remote control in explosive atmospheres, such as in the presence of flammable liquids, gases or dusts.** Sparks can be created in the remote control which may ignite the dust or fumes.

Product Description and Specifications

While reading the operating instructions, unfold the graphics page with the illustration of the surface laser and the remote control, and leave it open.

Intended Use

Surface laser

The measuring tool is intended for checking the flatness of floor surfaces.

The measuring tool is suitable for indoor use.

Remote Control (GSL 2 Set)

The remote control is intended for controlling surface lasers indoors.

Product Features

The numbering of the product features refers to the illustration of the surface laser and remote control on the graphics page.

Surface laser

- 1 Exit opening for laser beam
- 2 Laser warning label
- 3 Handle
- 4 Reception lens for remote control (GSL 2 Set)
- 5 Battery status indicator
- 6 Latch of battery lid
- 7 Battery lid
- 8 On/Off switch
- 9 Thumbwheel for height adjustment
- 10 Laser target plate
- 11 Measuring tip of the laser target plate
- 12 Serial number of the surface laser
- 23 Battery pack*

Remote Control

- 13 Outlet opening for infra-red beam
- 14 Button for fast rotation in anticlockwise direction
- 15 Button for slow rotation in anticlockwise direction
- 16 Button for step-by-step rotation in anticlockwise direction

14 | English

- 17** Button for step-by-step rotation in clockwise direction
- 18** Button for slow rotation in clockwise direction
- 19** Button for fast rotation in clockwise direction
- 20** Battery lid of the remote control
- 21** Battery lid latch of the remote control
- 22** Serial number

Accessories/Spare parts

- 24** Laser viewing glasses*
- 25** Case

*The accessories illustrated or described are not included as standard delivery.

Technical Data

Surface laser	GSL 2	GSL 2 Set
Article number	3 601 K64 000	3 601 K64 001 3 601 K64 070 3 601 K64 0R0
Remote-controlled, motor-driven rotation base	–	●
Working range ¹⁾		
– without laser target plate	10 m	10 m
– with laser target plate	20 m	20 m
Levelling Accuracy	±0.3 mm/m	±0.3 mm/m
Self-levelling range, typically	±4°	±4°
Levelling duration, typically	<5 s	<5 s
Operating temperature	–10 °C... +50 °C	–10 °C... +50 °C
Storage temperature	–20 °C... +70 °C	–20 °C... +70 °C
Relative air humidity, max.	90 %	90 %
Laser class	3R	3R
Laser type	630 – 670 nm, <5 mW	630 – 670 nm, <5 mW
C ₆	1	1
Batteries (alkali-manganese)	4 x 1.5 V LR06 (AA)	4 x 1.5 V LR06 (AA)
Battery pack (lithium-ion)	10.8 V	10.8 V
Battery life		
– Batteries (alkali-manganese)	15 h	15 h
– Battery pack (lithium-ion) (1.3 Ah)	15 h	15 h
– Battery pack (lithium-ion) (1.5 Ah)	25 h	25 h
Weight according to EPTA-Procedure 01/2003	1.4 kg	1.4 kg
Dimensions (length x width x height)	210 x 195 x 205 mm	210 x 195 x 205 mm
Degree of protection	IP 54 (dust and splash water protected)	IP 54 (dust and splash water protected)

1) The working range can be decreased by unfavourable environmental conditions (e.g. direct sun irradiation).

For clear identification of your surface laser, see the serial number **12** on the type plate.

Remote Control	RC 2
Article number	3 601 K69 C00
Working range ²⁾	20 m
Operating temperature	–10 °C... +50 °C
Storage temperature	–20 °C... +70 °C
Batteries	3 x 1.5 V LR03 (AAA)
Weight according to EPTA-Procedure 01/2003	50 g

2) The working range can be decreased by unfavourable environmental conditions (e.g. direct sun irradiation).

For clear identification of your remote control, see the serial number **22** on the type plate.

Assembly**Power Supply of the Surface Laser**

The measuring tool can either be operated with commercially available batteries or with a Bosch lithium ion battery pack.

Operation with Batteries (see figure B)

Alkali-manganese batteries are recommended for the measuring tool.

For installation and removal of the batteries, the measuring tool's height adjustment must be set to the lowest position. For this, turn the thumbwheel for height adjustment **9** in anti-clockwise direction to the stop.

To open the battery lid **7**, press on the latch **6** and fold the battery lid up. Insert the batteries. When inserting, pay attention

to the correct polarity according to the representation on the inside of the battery lid.

Always replace all batteries at the same time. Only use batteries from one brand and with the identical capacity.

- ▶ **Remove the batteries from the measuring tool when not using it for extended periods.** When storing for extended periods, the batteries can corrode and discharge themselves.

Operation with Battery Pack (see figure C)

- ▶ **Use only original Bosch lithium ion battery packs with the voltage listed on the nameplate of your measuring tool.** Using other battery packs can lead to injuries and pose a fire hazard.

Note: Use of battery packs not suitable for the measuring tool can lead to malfunctions of or cause damage to the measuring tool.

Note: The battery pack is supplied partially charged. To ensure full capacity of the battery pack, completely charge the battery pack in the battery charger before using for the first time.

- ▶ **Use only the battery chargers listed on the accessories page.** Only these battery chargers are matched to the lithium ion battery pack that can be used in your measuring tool.

The Lithium-Ion battery pack can be charged at any time without reducing its service life. Interrupting the charging procedure does not damage the battery pack.

The battery pack is equipped with a NTC temperature control which allows charging only within a temperature range of between 0 °C and 45 °C. A long battery pack service life is achieved in this manner.

For installation and removal of the battery pack **23**, the measuring tool's height adjustment must be set to the lowest position. For this, turn the thumbwheel for height adjustment **9** in anticlockwise direction to the stop.

To insert the battery pack **23**, press on the latch **6** and fold the battery lid **7** up. Slide the charged battery pack completely into the battery compartment and close the battery lid.

Operation with 1.5 Ah battery pack: In order to shut the battery lid **7**, the foam damper on the inside of the battery lid must be removed.

To remove the battery pack **23**, press on the latch **6** and fold the battery lid **7** up. Pull the battery pack out of the battery compartment.

Battery status Indicator

The three green LEDs of battery status indicator **5** indicate the charge condition of the batteries or the battery pack **23**.

LED	Capacity
Continuous lighting 3 x green	≥ 2/3
Continuous lighting 2 x green	≥ 1/3
Continuous lighting 1 x green	< 1/3
Flashing light 1 x green	Reserve

Power Supply of the Remote Control (GSL 2 Set)

Using alkali-manganese batteries is recommended for operation of the remote control.

To open the battery lid **20**, press on the latch **21** and remove the battery lid. Insert the batteries. When inserting, pay attention to the correct polarity according to the representation on the inside of the battery lid.

Always replace all batteries at the same time. Only use batteries from one brand and with the identical capacity.

- ▶ **Remove the batteries from the remote control when not using it for longer periods.** When storing for longer periods, the batteries can corrode and discharge themselves.

Operation

Starting Operation of the Surface Laser

- ▶ **Protect the measuring tool against moisture and direct sun light.**
- ▶ **Do not subject the measuring tool to extreme temperatures or variations in temperature.** As an example, do not leave it in vehicles for long time. In case of large variations in temperature, allow the measuring tool to adjust to the ambient temperature before putting it into operation. In case of extreme temperatures or variations in temperature, the accuracy of the measuring tool can be impaired.
- ▶ **Avoid heavy impact to or falling down of the measuring tool.** After severe external impacts, have the levelling accuracy of the measuring tool checked through an authorised service agent for Bosch power tools.
- ▶ **Switch the measuring tool off during transport.** When switching off, the levelling unit, which can be damaged in case of intense movement, is locked.

Setting Up the Measuring Tool

Set up the measuring tool on the floor surface to be checked, ensuring that it is firmly positioned.

The levelling accuracy can be influenced through the ambient temperature. Especially temperature differences occurring from the ground upward can deflect the laser beam. As the thermal layering is greatest at ground level, the measuring tool should always be set up in the centre of the floor surface to be checked.

Switching On and Off

To **switch on** the measuring tool, slide the On/Off switch **8** to the **On** position. Immediately after switching on, the measuring tool sends laser beams out of the exit openings **1**.

- ▶ **Do not direct the laser beam at persons or animals (especially not at their eye level), and do not stare into the laser beam yourself (not even from a distance).**

To **switch off** the measuring tool, slide the On/Off switch **8** to the **Off** position. When switching off, the levelling unit is locked.

When the measuring tool is not moved or remote-controlled for approx. 30 minutes, it switches off automatically to save the batteries or the battery pack.

16 | English

After switching off automatically, switch the measuring tool off via On/Off switch **8** and then on again, if required.

GSL 2 Set: After switching off automatically, the measuring tool can be switched on again by pressing any button on the remote control.

- ▶ **Do not leave the switched on measuring tool unattended and switch the measuring tool off after use.** Other persons could be blinded by the laser beam.

When exceeding the maximum permitted operating temperature of 50 °C, the measuring tool switches off to protect the laser diode. After cooling down, the measuring tool is ready for operation and can be switched on again.

Operation with battery pack: The “Electronic Cell Protection (ECP)” protects the lithium ion battery pack against deep discharging. When the battery pack is discharged, the measuring tool is switched off by a protective circuit.

When the measuring tool switches off automatically due to a discharged battery pack, switch the measuring tool off with the On/Off switch **8**. Charge the battery pack before switching the measuring tool on again. Otherwise, the battery pack could become damaged.

Allowing the Measuring Tool to Level In

After switching on, the levelling function automatically compensates irregularities within the self-levelling range of $\pm 4^\circ$. The levelling is finished as soon as the laser beams do not move any more.

If the automatic levelling function is not possible, e.g. because the surface on which the measuring tool stands deviates by more than 4° from the horizontal plane, the laser beams flash.

Set up the measuring tool in level position and wait for the self-levelling to take place. As soon as the measuring tool is within the self-levelling range of $\pm 4^\circ$, the laser beams light up continuously.

In case of ground vibrations or position changes during operation, the measuring tool is automatically levelled in again, yet, possibly to a different height when larger position changes are the case. Upon re-levelling, check if the two laser beams are aligned at the reference point (see “Aligning the Height of the Measuring Tool”, page 16) in order to avoid vertical errors.

Aligning the Height of the Measuring Tool

The measuring tool generates two laser beams that can be seen on the floor surface in front of the measuring tool for distances beyond 50 cm. The beams must be brought into alignment at this reference point, where they can initially be seen on the floor surface. For this, turn the thumbwheel for height adjustment **9** clockwise or anticlockwise, until both laser beams overlap at the reference point and only one beam can be seen.

When the two laser beams cannot be aligned by turning the thumbwheel, the position of the measuring tool is significantly above or below the floor surface. Position the measuring tool at a different location on the floor surface with less height deviation and align the laser beams there.

Starting Operation of the Remote Control (GSL 2 Set)

- ▶ **Protect the remote control against moisture and direct sunlight.**

- ▶ **Do not subject the remote control to extreme temperatures or variations in temperature.** As an example, do not leave it in vehicles for longer periods. In case of large variations in temperature, allow the remote control to adjust to the ambient temperature before putting it into operation.

The remote control remains ready for operation as long as a battery with sufficient voltage is inserted.

The signals of the remote control should reach the reception lens **4** directly from the front and inclined from above. When the remote control cannot be pointed directly against a reception lens, the working range is reduced. By reflecting the signal (e.g. against walls), the working range can be improved, even for indirect signals.

Switching the measuring tool on via the remote control after automatic shut-off of the measuring tool is only possible when the On/Off switch **8** is still in the **On** position. Switching the measuring tool off with the remote control is not possible.

Measuring Procedure


Manual Rotation (GSL 2)


Rotate the upper part of the measuring tool to the location that you want to check. After rotating, wait until the measuring tool has levelled in again and the laser beams no longer move. Then, check if the laser beams run opaque.


Automatic Rotation (GSL 2 Set)


To check the surface, rotate the upper part of the measuring tool with the remote control. Manual rotation is not possible.


The following rotation modes are available:

 Press button **19** to start **fast, continuous rotation in clockwise direction**. Pressing button **19** again ends the rotation.

 Press button **14** to start **fast, continuous rotation in anticlockwise direction**. Pressing button **14** again ends the rotation.

 Press button **18** to start **slow, continuous rotation in clockwise direction**. Pressing button **18** again ends the rotation.

 Press button **15** to start **slow, continuous rotation in anticlockwise direction**. Pressing button **15** again ends the rotation.

 Press button **17** for a **single, brief rotation step in clockwise direction**. For each further individual movement, press button **17** again.

 Press button **16** for a **single, brief rotation step in anticlockwise direction**. For each further individual movement, press button **16** again.

Evaluating Measuring Results (see figures D – G)

The two laser beams indicate, whether the surface is at the same height as the reference point (see "Aligning the Height of the Measuring Tool", page 16):

- All points, at which both laser beams coincide exactly above each other, are at the same height as the reference point.
- When two beams can be seen next to each other or when the laser beams are interrupted, the height of the floor surface deviates with respect to the reference point at this location.

To measure the deviation of the floor surface, position the laser target plate **10** at the location to be checked. Turn the laser target plate in such a manner that the lefthand laser beam coincides with the left reference line of the laser target plate. Slide the upper part of the laser target plate upward or downward, until the tip **11** of the laser target plate rests on the location to be measured. The height deviation between the reference point and the measuring point can be read in mm via the position of the righthand laser beam on the laser target plate.

When both laser beams run apart at a constant angle on the floor surface, the floor surface is inclined.

Working Advice

- ▶ **Pay attention that the complete width of the laser beams coincide exactly over each other.** The width of the laser beams changes with the distance.

Transporting the Measuring Tool

The handle **3** can be used for easier transport of the measuring tool. Fold the handle up as required.

Laser Viewing Glasses (Accessory)

The laser viewing glasses filter out the ambient light. This makes the red light of the laser appear brighter for the eyes.

- ▶ **Do not use the laser viewing glasses as safety goggles.** The laser viewing glasses are used for improved visualisation of the laser beam, but they do not protect against laser radiation.
- ▶ **Do not use the laser viewing glasses as sun glasses or in traffic.** The laser viewing glasses do not afford complete UV protection and reduce colour perception.

Recommendations for Optimal Handling of the Battery Pack

Protect the battery pack against moisture and water.

Store the battery pack only within a temperature range between 0 °C and 50 °C. As an example, do not leave the battery pack in the car in summer.

A significantly reduced working period after charging indicates that the battery pack is used and must be replaced.

Observe the notes for disposal.

Maintenance and Service

Maintenance and Cleaning

- ▶ **Before any work on the measuring tool itself (e.g. assembling, maintenance, etc.) as well as when transporting and storing, remove the battery pack or the batteries from the measuring tool.** Danger of injury when accidentally actuating the On/Off switch.

Store and transport the surface laser only in the supplied case.

Keep the surface laser and remote control clean at all times.

Do not immerse the surface laser and remote control into water or other fluids.

Wipe off debris using a moist and soft cloth. Do not use any cleaning agents or solvents.

Regularly clean the surfaces at the exit opening of the laser in particular, and pay attention to any fluff of fibres.

If the surface laser or remote control should fail despite the care taken in manufacture and testing, repair should be carried out by an authorised customer services agent for Bosch power tools. Do not open the surface laser and the remote control yourself.

In all correspondence and spare parts orders, please always include the 10-digit article number given on the type plate of the surface laser and remote control.

For repairs, only send in the surface laser in the case.

After-sales Service and Application Service

Our after-sales service responds to your questions concerning maintenance and repair of your product as well as spare parts. Exploded views and information on spare parts can also be found under:

www.bosch-pt.com

Bosch's application service team will gladly answer questions concerning our products and their accessories.

Great Britain

Robert Bosch Ltd. (B.S.C.)
P.O. Box 98
Broadwater Park
North Orbital Road
Denham
Uxbridge
UB 9 5HJ
Tel. Service: (0844) 7360109
Fax: (0844) 7360146
E-Mail: boschservicecentre@bosch.com

Ireland

Origo Ltd.
Unit 23 Magna Drive
Magna Business Park
City West
Dublin 24
Tel. Service: (01) 4666700
Fax: (01) 4666888

18 | English**Australia, New Zealand and Pacific Islands**

Robert Bosch Australia Pty. Ltd.
 Power Tools
 Locked Bag 66
 Clayton South VIC 3169
 Customer Contact Center
 Inside Australia:
 Phone: (01300) 307044
 Fax: (01300) 307045
 Inside New Zealand:
 Phone: (0800) 543353
 Fax: (0800) 428570
 Outside AU and NZ:
 Phone: +61 3 95415555
 www.bosch.com.au

Republic of South Africa

Customer service
 Hotline: (011) 6519600

Gauteng BSC Service Centre

35 Roper Street, New Centre
 Johannesburg
 Tel.: (011) 4939375
 Fax: (011) 4930126
 E-Mail: bsctools@icon.co.za

KZN BSC Service Centre

Unit E, Almar Centre
 143 Crompton Street
 Pinetown
 Tel.: (031) 7012120
 Fax: (031) 7012446
 E-Mail: bsc.dur@za.bosch.com

Western Cape BSC Service Centre

Democracy Way, Prosperity Park
 Milnerton
 Tel.: (021) 5512577
 Fax: (021) 5513223
 E-Mail: bsc@zsd.co.za

Bosch Headquarters

Midrand, Gauteng
 Tel.: (011) 6519600
 Fax: (011) 6519880
 E-Mail: rbsa-hq.pts@za.bosch.com

People's Republic of China**China Mainland**

Bosch Power Tools (China) Co., Ltd.
 567, Bin Kang Road
 Bin Jiang District 310052
 Hangzhou, P. R. China
 Service Hotline: 4008268484
 Fax: (0571) 87774502
 E-Mail: contact.ptcn@cn.bosch.com
 www.bosch-pt.com.cn

HK and Macau Special Administrative Regions

Robert Bosch Hong Kong Co. Ltd.
 21st Floor, 625 King's Road
 North Point, Hong Kong
 Customer Service Hotline: +852 2101 0235
 Fax: +852 2590 9762
 E-Mail: info@hk.bosch.com
 www.bosch-pt.com.hk

Indonesia

PT. Multi Mayaka
 Kawasan Industri Pulogadung
 Jalan Rawa Gelam III No. 2
 Jakarta 13930
 Indonesia
 Tel.: (021) 46832522
 Fax: (021) 46828645/6823
 E-Mail: sales@multimayaka.co.id
 www.bosch-pt.co.id

Philippines

Robert Bosch, Inc.
 28th Floor Fort Legend Towers,
 3rd Avenue corner 31st Street,
 Fort Bonifacio Global City,
 1634 Taguig City, Philippines
 Tel.: (02) 8703871
 Fax: (02) 8703870
 matheus.contiero@ph.bosch.com
 www.bosch-pt.com.ph

Bosch Service Center:
 9725-27 Kamagong Street
 San Antonio Village
 Makati City, Philippines
 Tel.: (02) 8999091
 Fax: (02) 8976432
 rosalie.dagdagan@ph.bosch.com

Malaysia

Robert Bosch (S.E.A.) Sdn. Bhd.
 No. 8A, Jalan 13/6
 G.P.O. Box 10818
 46200 Petaling Jaya
 Selangor, Malaysia
 Tel.: (03) 79663194
 Fax: (03) 79583838
 cheehoe.on@my.bosch.com
 Toll-Free: 1800 880188
 www.bosch-pt.com.my

Thailand

Robert Bosch Ltd.
 Liberty Square Building
 No. 287, 11 Floor
 Silom Road, Bangrak
 Bangkok 10500
 Tel.: 02 6311879 – 1888 (10 lines)
 Fax: 02 2384783
 Robert Bosch Ltd., P. O. Box 2054
 Bangkok 10501, Thailand