

Robert Bosch GmbH

Power Tools Division
70745 Leinfelden-Echterdingen
Germany

www.bosch-pt.com

1 619 P11 351 (2013.10) T / 218 EURO



1 619 P11 351

GST 10,8 V-LI Professional



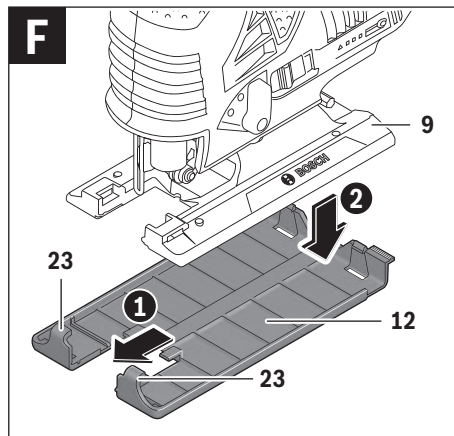
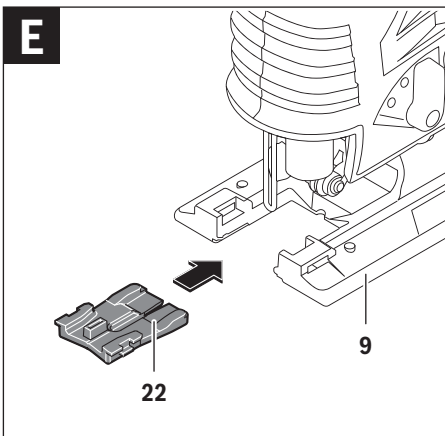
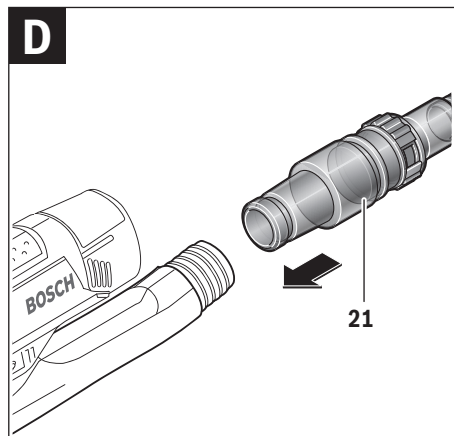
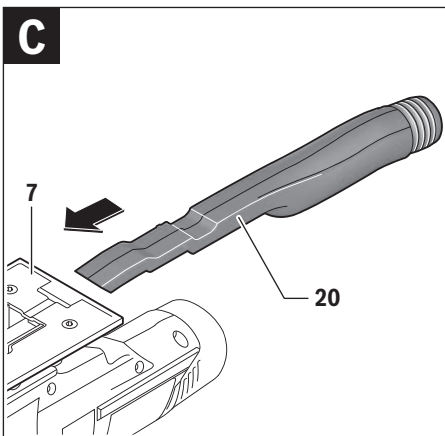
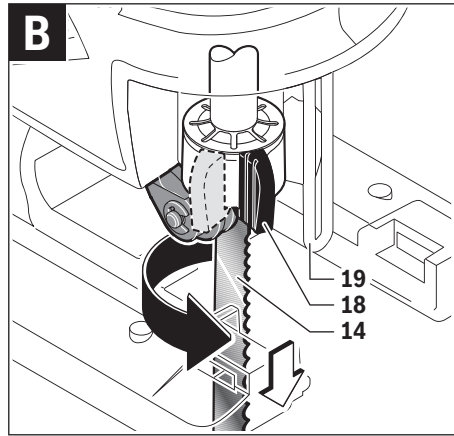
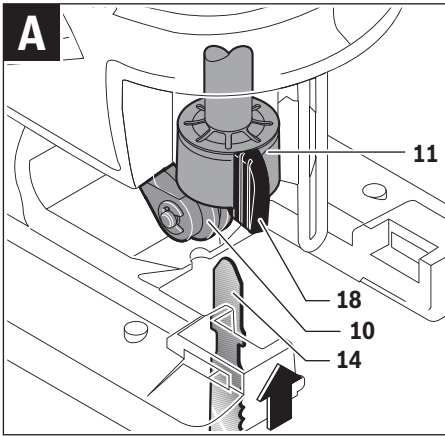
de Originalbetriebsanleitung
en Original instructions
fr Notice originale
es Manual original
pt Manual original
it Istruzioni originali
nl Oorspronkelijke gebruiksaanwijzing
da Original brugsanvisning
sv Bruksanvisning i original
no Original driftsinstruks
fi Alkuperäiset ohjeet
el Πρωτότυπο οδηγιών χρήσης

tr Orijinal işletme talimatı
pl Instrukcja oryginalna
cs Původní návod k používání
sk Pôvodný návod na použitie
hu Eredeti használati utasítás
ru Оригинальное руководство по эксплуатации
uk Оригінальна інструкція з експлуатації
kk Пайдалану нұсқаулығының түпнұсқасы
ro Instrucțiuni originale
bg Оригинална инструкция

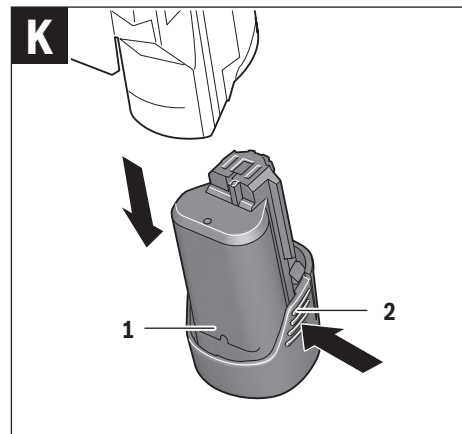
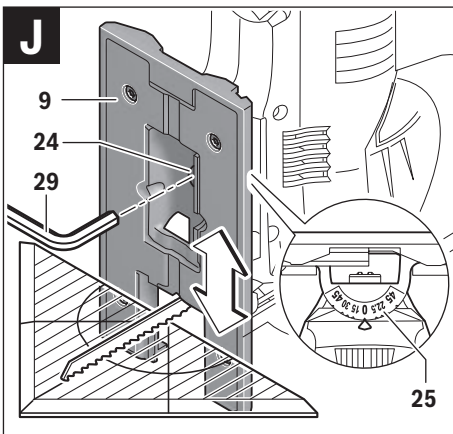
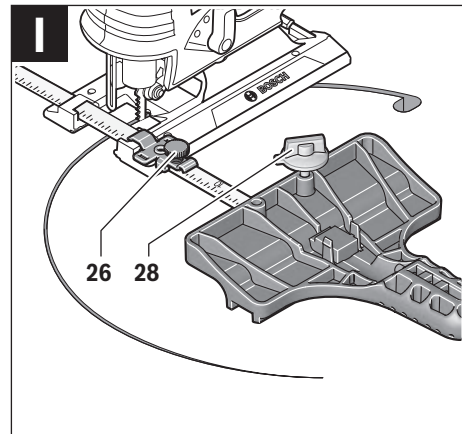
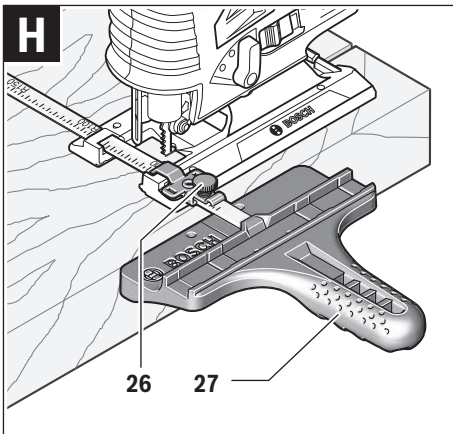
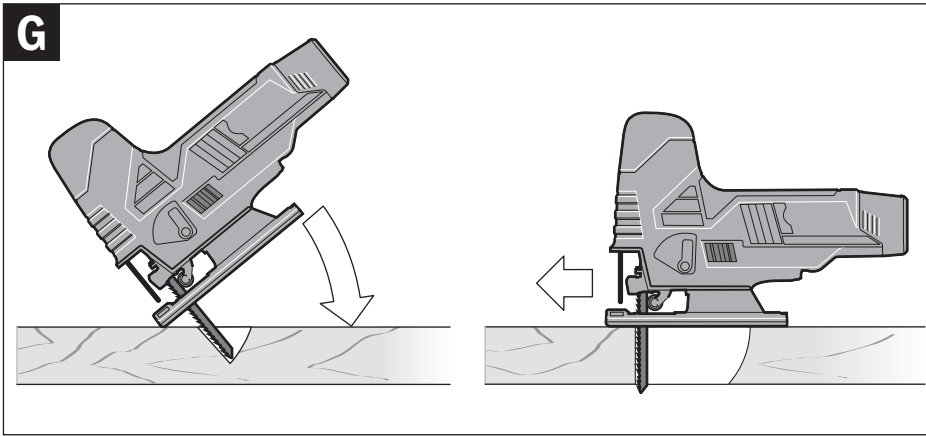
mk Оригинално упатство за работа
sr Originalno uputstvo za rad
sl Izvirna navodila
hr Originalne upute za rad
et Algupärane kasutusjuhend
lv Instrukcijas oriģinālvalodā
lt Originali instrukcija
ar تعليمات التشغيل الأصلية
fa دفترچه راهنمای اصلی



4 |



5 |



12 | English

Reinigen Sie die Sägeblattaufnahme regelmäßig. Entnehmen Sie dazu das Sägeblatt aus dem Elektrowerkzeug und klopfen Sie das Elektrowerkzeug leicht auf einer ebenen Fläche aus. Eine starke Verschmutzung des Elektrowerkzeugs kann zu Funktionsstörungen führen. Sägen Sie deshalb stark staub-erzeugende Materialien nicht von unten oder über Kopf. Schmieren Sie die Führungsrolle **10** gelegentlich mit einem Tropfen Öl.

Kontrollieren Sie die Führungsrolle **10** regelmäßig. Ist sie abgenutzt; muss sie von einer autorisierten Bosch-Kundendienststelle ersetzt werden.

Der Kunststoffgleitschuh **12** sollte ersetzt werden; wenn er abgenutzt ist.

Kundendienst und Anwendungsberatung

Der Kundendienst beantwortet Ihre Fragen zu Reparatur und Wartung Ihres Produkts sowie zu Ersatzteilen. Explosionszeichnungen und Informationen zu Ersatzteilen finden Sie auch unter J

www.bosch-pt.com

Das Bosch-Anwendungsberatungs-Team hilft Ihnen gerne bei Fragen zu unseren Produkten und deren Zubehör.

www.powertool-portal.de; das Internetportal für Handwerker und Heimwerker.

Geben Sie bei allen Rückfragen und Ersatzteilbestellungen bitte unbedingt die 10-stellige Sachnummer laut Typenschild des Elektrowerkzeuges an.

Deutschland

Robert Bosch GmbH
Servicezentrum Elektrowerkzeuge
Zur Luhne 2
37589 Kalefeld Willershausen
Unter www.bosch.pt.com können Sie online Ersatzteile bestellen oder Reparaturen anmelden.
Kundendienst J Tel. J (0711) 40040480
Fax J (0711) 40040481
E: Mail J Servicezentrum.Elektrowerkzeuge Q de.bosch.com
Anwendungsberatung J Tel. J (0711) 40040480
Fax J (0711) 40040482
E: Mail J Anwendungsberatung.pt Q de.bosch.com

Österreich

Tel. J (01) 797222010
Fax J (01) 797222011
E: Mail J service.elektrowerkzeuge Q at.bosch.com

Schweiz

Tel. J (044) 8471511
Fax J (044) 8471551
E: Mail J Aftersales.Service Q de.bosch.com

Luxemburg

Tel. J 32 2 588 0589
Fax J 32 2 588 0595
E: Mail J outillage.gereedschap Q be.bosch.com

Transport

Die enthaltenen Li-Ionen-Akkus unterliegen den Anforderungen des Gefahrgutrechts. Die Akkus können durch den Benutzer ohne weitere Auflagen auf der Straße transportiert werden.

Beim Versand durch Dritte (z. B. J. Lufttransport oder Spedition) sind besondere Anforderungen an Verpackung und Kennzeichnung zu beachten. Hier muss bei der Vorbereitung des Versandstückes ein Gefahrgut-Experte hinzugezogen werden.

Versenden Sie Akkus nur; wenn das Gehäuse unbeschädigt ist. Kleben Sie offene Kontakte ab und verpacken Sie den Akku so; dass er sich nicht in der Verpackung bewegt. Bitte beachten Sie auch eventuelle weiterführende nationale Vorschriften.

Entsorgung

Elektrowerkzeuge; Akkus; Zubehör und Verpackungen sollen einer umweltgerechten Wiederverwertung zugeführt werden.

Werfen Sie Elektrowerkzeuge und Akkus-Batterien nicht in den Hausmüll

Nur für EU-Länder:

Gemäß der europäischen Richtlinie 2012/19/EU müssen nicht mehr gebrauchsfähige Elektrowerkzeuge und gemäß der europäischen Richtlinie 2006/66/EG müssen defekte oder verbrauchte Akkus-Batterien getrennt gesammelt und einer umweltgerechten Wiederverwendung zugeführt werden.

Nicht mehr gebrauchsfähige Akkus-Batterien können direkt abgegeben werden bei J

Deutschland

Recyclingzentrum Elektrowerkzeuge
Osteroder Landstraße 3
37589 Kalefeld

Schweiz

Batrec AG
3752 Wimmis BE

Akkus/Batterien:**Li-Ion:**

Bitte beachten Sie die Hinweise im Abschnitt Transport; Seite 12.

Änderungen vorbehalten.

English**Safety Notes****General Power Tool Safety Warnings**

WARNING Read all safety warnings and all instructions. Failure to follow the warnings and instructions may result in electric shock; fire and/or serious injury.

Save all warnings and instructions for future reference.

The term "power tool" in the warnings refers to your mains-operated (corded) power tool or battery-operated (cordless) power tool.

Work area safety

- ▶ **Keep work area clean and well lit.** Cluttered or dark areas invite accidents.
- ▶ **Do not operate power tools in explosive atmospheres, such as in the presence of flammable liquids, gases or dust.** Power tools create sparks which may ignite the dust or fumes.
- ▶ **Keep children and bystanders away while operating a power tool.** Distractions can cause you to lose control.

Electrical safety

- ▶ **Power tool plugs must match the outlet. Never modify the plug in any way. Do not use any adapter plugs with earthed (grounded) power tools.** Unmodified plugs and matching outlets will reduce risk of electric shock.
- ▶ **Avoid body contact with earthed or grounded surfaces, such as pipes, radiators, ranges and refrigerators.** There is an increased risk of electric shock if your body is earthed or grounded.
- ▶ **Do not expose power tools to rain or wet conditions.** Water entering a power tool will increase the risk of electric shock.
- ▶ **Do not abuse the cord. Never use the cord for carrying, pulling or unplugging the power tool. Keep cord away from heat, oil, sharp edges and moving parts.** Damaged or entangled cords increase the risk of electric shock.
- ▶ **When operating a power tool outdoors, use an extension cord suitable for outdoor use.** Use of a cord suitable for outdoor use reduces the risk of electric shock.
- ▶ **If operating a power tool in a damp location is unavoidable, use a residual current device (RCD) protected supply.** Use of an RCD reduces the risk of electric shock.

Personal safety

- ▶ **Stay alert, watch what you are doing and use common sense when operating a power tool. Do not use a power tool while you are tired or under the influence of drugs, alcohol or medication.** A moment of inattention while operating power tools may result in serious personal injury.
- ▶ **Use personal protective equipment. Always wear eye protection.** Protective equipment such as dust mask; non-skid safety shoes; hard hat; or hearing protection used for appropriate conditions will reduce personal injuries.
- ▶ **Prevent unintentional starting. Ensure the switch is in the off-position before connecting to power source and/or battery pack, picking up or carrying the tool.** Carrying power tools with your finger on the switch or energising power tools that have the switch on invites accidents.
- ▶ **Remove any adjusting key or wrench before turning the power tool on.** A wrench or a key left attached to a rotating part of the power tool may result in personal injury.
- ▶ **Do not overreach. Keep proper footing and balance at all times.** This enables better control of the power tool in unexpected situations.
- ▶ **Dress properly. Do not wear loose clothing or jewellery. Keep your hair, clothing and gloves away from moving parts.** Loose clothes; jewellery or long hair can be caught in moving parts.

- ▶ **If devices are provided for the connection of dust extraction and collection facilities, ensure these are connected and properly used.** Use of dust collection can reduce dust-related hazards.

Power tool use and care

- ▶ **Do not force the power tool. Use the correct power tool for your application.** The correct power tool will do the job better and safer at the rate for which it was designed.
- ▶ **Do not use the power tool if the switch does not turn it on and off.** Any power tool that cannot be controlled with the switch is dangerous and must be repaired.
- ▶ **Disconnect the plug from the power source and/or the battery pack from the power tool before making any adjustments, changing accessories, or storing power tools.** Such preventive safety measures reduce the risk of starting the power tool accidentally.
- ▶ **Store idle power tools out of the reach of children and do not allow persons unfamiliar with the power tool or these instructions to operate the power tool.** Power tools are dangerous in the hands of untrained users.
- ▶ **Maintain power tools. Check for misalignment or binding of moving parts, breakage of parts and any other condition that may affect the power tool's operation. If damaged, have the power tool repaired before use.** Many accidents are caused by poorly maintained power tools.
- ▶ **Keep cutting tools sharp and clean.** Properly maintained cutting tools with sharp cutting edges are less likely to bind and are easier to control.
- ▶ **Use the power tool, accessories and tool bits etc. in accordance with these instructions, taking into account the working conditions and the work to be performed.** Use of the power tool for operations different from those intended could result in a hazardous situation.

Battery tool use and care

- ▶ **Recharge only with the charger specified by the manufacturer.** A charger that is suitable for one type of battery pack may create a risk of fire when used with another battery pack.
- ▶ **Use power tools only with specifically designated battery packs.** Use of any other battery packs may create a risk of injury and fire.
- ▶ **When battery pack is not in use, keep it away from other metal objects, like paper clips, coins, keys, nails, screws or other small metal objects, that can make a connection from one terminal to another.** Shorting the battery terminals together may cause burns or a fire.
- ▶ **Under abusive conditions, liquid may be ejected from the battery; avoid contact. If contact accidentally occurs, flush with water. If liquid contacts eyes, additionally seek medical help.** Liquid ejected from the battery may cause irritation or burns.

Service

- ▶ **Have your power tool serviced by a qualified repair person using only identical replacement parts.** This will ensure that the safety of the power tool is maintained.

14 | English

Safety Warnings for Jigsaws

- ▶ **Hold power tool by insulated gripping surfaces, when performing an operation where the cutting accessory may contact hidden wiring.** Cutting accessory contacting a live wire may make exposed metal parts of the power tool live and could give the operator an electric shock.
- ▶ **Keep hands away from the sawing range. Do not reach under the workpiece.** Contact with the saw blade can lead to injuries.
- ▶ **Apply the machine to the workpiece only when switched on.** Otherwise there is danger of kickback when the cutting tool jams in the workpiece.
- ▶ **Pay attention that the base plate rests securely on the material while sawing.** A jammed saw blade can break or lead to kickback.
- ▶ **When the cut is completed, switch off the machine and then pull the saw blade out of the cut only after it has come to a standstill.** In this manner you can avoid kickback and can place down the machine securely.
- ▶ **Use only undamaged saw blades that are in perfect condition.** Bent or dull saw blades can break; negatively influence the cut; or lead to kickback.
- ▶ **Do not brake the saw blade to a stop by applying side pressure after switching off.** The saw blade can be damaged; break or cause kickback.
- ▶ **Use appropriate detectors to determine if utility lines are hidden in the work area or call the local utility company for assistance.** Contact with electric lines can lead to fire and electric shock. Damaging a gas line can lead to explosion. Penetrating a water line causes property damage.
- ▶ **Secure the workpiece.** A workpiece clamped with clamping devices or in a vice is held more secure than by hand.
- ▶ **Always wait until the machine has come to a complete stop before placing it down.** The tool insert can jam and lead to loss of control over the power tool.
- ▶ **Do not open the battery.** Danger of short-circuiting.



Protect the battery against heat, e.g., against continuous intense sunlight, fire, water, and moisture. Danger of explosion.

- ▶ **In case of damage and improper use of the battery, vapours may be emitted. Ventilate the area and seek medical help in case of complaints.** The vapours can irritate the respiratory system.
- ▶ **Use the battery only in conjunction with your Bosch power tool.** This measure alone protects the battery against dangerous overload.

Product Description and Specifications

Read all safety warnings and all instructions. Failure to follow the warnings and instructions may result in electric shock; fire and/or serious injury.

While reading the operating instructions; unfold the graphics page for the machine and leave it open.

Intended Use

The machine is intended for making separating cuts and cut-outs in wood; plastic; metal; ceramic plates and rubber while resting firmly on the workpiece. It is suitable for straight and curved cuts with mitre angles to 45°. The saw blade recommendations are to be observed.

The light of this power tool is intended to illuminate the power tool's direct area of working operation and is not suitable for household room illumination.

Product Features

The numbering of the product features refers to the illustration of the machine on the graphics page.

- 1 Battery pack
- 2 Battery unlocking button
- 3 PowerLight button
- 4 Thumbwheel for stroke rate preselection
- 5 Battery charge-control indicator
- 6 Temperature control-overload protection indicator
- 7 On-Off switch
- 8 Adjusting lever for orbital action
- 9 Base plate
- 10 Guide roller
- 11 Stroke rod
- 12 Plastic sliding shoe
- 13 Lead for the parallel guide
- 14 Saw blade =
- 15 PowerLight
- 16 Extraction hood
- 17 Handle (insulated gripping surface)
- 18 SDS clamping lever for saw blade release
- 19 Contact protector
- 20 Vacuum connection
- 21 Vacuum hose =
- 22 Splinter guard
- 23 Nose plastic sliding shoe
- 24 Screw
- 25 Scale for mitre angle
- 26 Locking screw for parallel guide =
- 27 Parallel guide with circle cutter =
- 28 Centring tip of the circle cutter =
- 29 Allen key

***Accessories shown or described are not part of the standard delivery scope of the product. A complete overview of accessories can be found in our accessories program.**

Technical Data

Cordless Jigsaw		GST 10,8 V-LI	
Article number		3 601 EA1 0..	
Rated voltage	V>	10.8	
Stroke rate at no load n_0	min ⁻¹	1500	2800
Stroke	mm	18	
Cutting capacity; max.			
in wood	mm	70	
in aluminium	mm	3	
in non-alloy steel	mm	3	
Bevel cuts (left/right); max.	°	45	
Weight according to EPTA: Procedure 01-2003	kg	1.5 =	
=dependent of the battery pack being used			

Battery

Permitted ambient temperature			
when charging	°C	0... 45	
during operation =	°C	20... 50	
during storage	°C	20... 60	
Recommended batteries		GBA 10; 8 V x; xAh 0 .	
=Limited performance at temperatures @0 °C			

Noise/Vibration Information

		GST 10,8 V-LI	
Measured sound values determined according to EN 60745.			
Typically the A-weighted noise levels of the product are			
Sound pressure level	dB(A)	77	
Sound power level	dB(A)	88	
Uncertainty K	dB	3	
Wear hearing protection!			
Vibration total values a_h (triax vector sum) and uncertainty K determined according to EN 60745: Cutting board J			
a_h	m/s^2	5.5	
K	m/s^2	1.5	
Cutting sheet metal J			
a_h	m/s^2	5.0	
K	m/s^2	1.5	

The vibration level given in this information sheet has been measured in accordance with a standardised test given in EN 60745 and may be used to compare one tool with another. It may be used for a preliminary assessment of exposure. The declared vibration emission level represents the main applications of the tool. However if the tool is used for different applications; with different accessories or insertion tools or is poorly maintained; the vibration emission may differ. This may significantly increase the exposure level over the total working period.

An estimation of the level of exposure to vibration should also take into account the times when the tool is switched off or when it is running but not actually doing the job. This may significantly reduce the exposure level over the total working period.

Identify additional safety measures to protect the operator from the effects of vibration such as maintain the tool and the accessories; keep the hands warm; organisation of work patterns.

Declaration of Conformity

We declare under our sole responsibility that the product described under Technical Data is in conformity with the following standards or standardisation documents: JEN 60745 according to the provisions of the directives 2009/125/EC (Regulation 1194/2012); 2011/65/EU; 2004/108/EC; 2006/42/EC.

Technical file (2006/42/EC) at J

Robert Bosch GmbH; PT-ETM9;

D:70745 Leinfelden-Echterdingen

Henk Becker



Executive Vice President

Engineering

Helmut Heinzelmann

Head of Product Certification

PT-ETM9

Robert Bosch GmbH; Power Tools Division

D:70745 Leinfelden-Echterdingen

Leinfelden; 23.08.2013

Assembly

- **Before any work on the machine itself (e.g. maintenance, tool change, etc.) as well as during transport and storage, remove the battery from the power tool.**

There is danger of injury when unintentionally actuating the On-Off switch.

Battery Charging

- **Use only the battery chargers listed on the accessories page.** Only these battery chargers are matched to the lithium ion battery of your power tool.

Note: The battery is supplied partially charged. To ensure full capacity of the battery; completely charge the battery in the battery charger before using your power tool for the first time. The lithium ion battery can be charged at any time without reducing its service life. Interrupting the charging procedure does not damage the battery.

The lithium ion battery is protected against deep discharging by the Electronic Cell Protection (ECP). When the battery is empty; the machine is switched off by means of a protective circuit. The inserted tool no longer rotates.

Observe the notes for disposal.

16 | English

Battery Charge-control Indication

The three green LEDs of the battery charge:control indicator **5** show the charging status of the battery **1**. The battery charge:control indicator only illuminates for 5 seconds after start:up.

LED	Capacity
Continuous lighting 3 x green	$\geq 2/3$
Continuous lighting 2 x green	$\geq 1/3$
Continuous lighting 1 x green	$\approx 1/3$
Flashing light 1 x green	Reserve
Flashing light 3 x green	Empty

When no LED lights up after switching on; then the battery is defective and must be replaced.

Replacing/Inserting the Saw Blade

- ▶ **When mounting the saw blade, wear protective gloves.**
Danger of injury when touching the saw blade.

Selecting a Saw Blade

An overview of recommended saw blades can be found at the end of these instructions. Use only T:shank saw blades. The saw blade should not be longer than required for the intended cut. Use a thin saw blade for narrow curve cuts.

Inserting the Saw Blade (see figure A)

- ▶ **Clean the shank of the saw blade before inserting it.** An unclean shank cannot be fastened securely.

Insert the saw blade **14** into the stroke rod **11** until it latches. The SDS lever **18** automatically snaps to the rear and the saw blade is locked. Do not manually press the lever **18** toward the rear; otherwise you could damage the machine.

While inserting the saw blade; pay attention that the back of the saw blade is positioned in the groove of the guide roller **10**.

- ▶ **Check the tight seating of the saw blade.** A loose saw blade can fall out and lead to injuries.

Ejecting the Saw Blade (see figure B)

- ▶ **When ejecting the saw blade, hold the machine in such a manner that no persons or animals can be injured by the ejected saw blade.**

Turn the SDS lever **18** forward towards the contact protector **19** to the stop. The saw blade is released and ejected.

Dust/Chip Extraction

- ▶ Dusts from materials such as lead:containing coatings; some wood types; minerals and metal can be harmful to one's health. Touching or breathing:in the dusts can cause allergic reactions and/or lead to respiratory infections of the user or bystanders.

Certain dusts; such as oak or beech dust; are considered as carcinogenic; especially in connection with wood:treatment additives (chromate; wood preservative). Materials containing asbestos may only be worked by specialists.

As far as possible; use a dust extraction system suitable for the material.

Provide for good ventilation of the working place.

It is recommended to wear a P2 filter:class respirator.

Observe the relevant regulations in your country for the materials to be worked.

- ▶ **Prevent dust accumulation at the workplace.** Dusts can easily ignite.

Connecting the Dust Extraction (see figures C E)

Insert the vacuum connection **20** into the opening of base plate **9**.

Place a vacuum hose **21** (accessory) onto the vacuum connection **20**. Connect the vacuum hose **21** with a vacuum cleaner (accessory). An overview for the connection of various vacuum cleaners can be found at the end of these instructions.

To enable optimum dust extraction; use the splinter guard **22** if possible.

The vacuum cleaner must be suitable for the material being worked.

When vacuuming dry dust that is especially detrimental to health or carcinogenic; use a special vacuum cleaner.

Place the extraction hood **16** onto the contact protector **19**.

Splinter Guard (see figure E)

The splinter guard **22** can prevent fraying of the surface while sawing wood. The splinter guard can only be used with certain saw blade types and only at a cutting angle of 0°.

Insert the splinter guard **22** into base plate **9** from the front.

The splinter guard **22** can also be fitted with the mounted plastic sliding shoe **12**.

Sliding Shoe (see figure F)

When working with sensitive surfaces; use the plastic sliding shoe **12**.

To put on the plastic sliding shoe **12**; place the front edge of the base plate **9** under the nose of the plastic sliding shoe **23**. Then press the power tool onto the plastic sliding shoe **12** until it engages.

When using the plastic sliding shoe **12**; the splinter guard **22** is inserted not into the base plate **9**; but rather the sliding shoe.

Operation**Operating Modes**

- ▶ **Before any work on the machine itself (e. g. maintenance, tool change, etc.) as well as during transport and storage, remove the battery from the power tool.**
There is danger of injury when unintentionally actuating the On-Off switch.

Orbital Action Settings

The adjustable orbital action allows for optimal adaptation of cutting speed; cutting capacity and cutting pattern to the material being worked.

The orbital action can be adjusted with the adjusting lever **8**; even during operation.

- Orbital action switched off (level 0):** No orbital action
- Orbital action level I:** Small orbital action
- Orbital action level II:** Large orbital action

The optimal orbital action setting for the respective application can be determined through practical testing. The following recommendations apply:

Select a lower orbital action setting (or switch it off) for a finer and cleaner cutting edge.

For thin materials such as sheet metal; switch the orbital action off.

For hard materials such as steel; work with low orbital action.

For soft materials and when sawing in the direction of the grain; work with maximum orbital action.

Adjusting the Cutting Angle (see figure J)

The base plate **9** can be swivelled by 45° to the left or right for mitre cuts.

Remove the vacuum connection **20**.

In mitre angle 0° there is a pin in a corresponding recess.

Loosen the screw **24** with the Allen key **29** until you can slide the base plate **9** in toward the battery **1**. Let the pin slide into the guide groove.

For adjustment of precise mitre angles; swivel the base plate **9** to the desired position according to the scale **25**. Every angle can be adjusted to 45° using a protractor.

Tighten the screw **24** again.

The vacuum connection **20** and the splinter guard **22** cannot be used for bevel cuts.

Starting Operation

Removing the battery (see figure K)

To remove the battery **1** press the unlocking buttons **2** and pull out the battery downwards. **Do not exert any force.**

Switching On and Off

To **start** the machine; push the On<Off switch **7** forwards.

To **switch off** the power tool; push the On<Off switch **7** back to the **0** position.

To save energy; only switch the power tool on when using it.

Controlling the Stroke Rate

With the thumbwheel for stroke rate preselection **4**; the stroke rate can be preset and changed during operation.

The required stroke rate is dependent on the material and the working conditions and can be determined by a practical trial.

Reducing the stroke rate is recommended when the saw blade engages in the material as well as when sawing plastic and aluminium.

After longer periods of work at low stroke rate; the machine can heat up considerably. Remove the saw blade from the machine and allow the machine to cool down by running it for approx. 3 minutes at maximum stroke rate.

Temperature Dependent Overload Protection

In normal conditions of use; the power tool cannot be overloaded. If the power tool is overloaded or not kept within the permitted battery temperature range; the speed is reduced or the power tool switches off. At reduced speed; the power tool will run again at full speed once the permitted battery temper-

ature is reached or the load is reduced. During automatic shut-down; switch off the power tool; allow the battery to cool down; then switch the power tool back on.

Temperature Control/Overload Protection Indicator

The red LED indicator **6** will help you in protecting the battery against overheating and the motor against overloading.

When the LED indicator **6** **continuously lights up red**; the temperature of the battery is too high and the machine switches off automatically.

Switch the power tool off.

Allow the battery to cool down before continuing to work.

The LED indicator **6** **flashes red**; the power tool is blocked and switches off automatically.

Remove the power tool from the workpiece.

As soon as the blockage is corrected; the power tool will continue to work at the set stroke rate.

Protection Against Deep Discharging

The lithium ion battery is protected against deep discharging by the Electronic Cell Protection (ECP). When the battery is empty; the machine is switched off by means of a protective circuit. The inserted tool no longer rotates.

Switching on the LED Work Area Illumination

With the button **3** you can switch on the LED work light. The work light is switched off by default.

Restarting Protection

The restarting protection prevents uncontrolled starting of the machine after a power failure. Once the restarting protection is active; the temperature control-overload protection indicator blinks **6** continuously.

To **restart the operation**; switch the On<Off switch **7** to the Off position and start the machine again.

Note: When switching off and on again very quickly; it is possible that the restarting protection is triggered. This will prevent the power tool from starting; although the On<Off switch **7** is actuated. Set the On<Off switch **7** to the off position; and then switch the power tool on again.

Working Advice

- ▶ **When sawing small or thin workpieces, always use a firm support.**

Contact Protector

The contact protector **19** attached to the casing prevents accidental touching of the saw blade during the working procedure and may not be removed.

The outwardly curved edge over the extraction hood **16** prevents the hand from slipping away in the sawing range.

Plunge Cutting (see figure G)

- ▶ **Plunge cuts may only be applied to soft materials, such as wood, gypsum plaster boards, etc.!**

Use only short saw blades for plunge cutting. Plunge cutting is possible only with the mitre angle set at 0°.

Place the machine with the front edge of the base plate **9** on to the workpiece without the saw blade **14** touching the workpiece and switch on. For machines with stroke rate control;

18 | English

select the maximum stroke rate. Firmly hold the machine against the workpiece and by tilting the machine; slowly plunge the saw blade into the workpiece.

When the base plate **9** fully lays on the workpiece; continue sawing along the desired cutting line.

Parallel Guide with Circle Cutter (Accessory)

Parallel Cuts (see figure H) Loosen the locking screw **26** and slide the scale of the parallel guide through the lead **13** in the base plate. Set the desired cutting width as the scale value on the inside edge of the base plate. Tighten the locking screw **26**.

Circular Cuts (see figure I) Set the locking screw **26** to the other side of the parallel guide. Slide the scale of the parallel guide through the lead **13** in the base plate. Drill a hole in the workpiece centred in the section to be sawn. Insert the centering tip **28** through the inside opening of the parallel guide and into the drilled hole. Set the radius as the scale value on the inside edge of the base plate. Tighten the locking screw **26**.

Coolant/Lubricant

When sawing metal; coolant/lubricant should be applied alongside cutting line because of the material heating up.

Maintenance and Service**Maintenance and Cleaning**

- ▶ **Before any work on the machine itself (e.g. maintenance, tool change, etc.) as well as during transport and storage, remove the battery from the power tool.**

There is danger of injury when unintentionally actuating the On-Off switch.

- ▶ **For safe and proper working, always keep the machine and ventilation slots clean.**

Clean the saw blade holder regularly. For this; remove the saw blade from the machine and lightly tap out the machine on a level surface.

Heavy contamination of the machine can lead to malfunctions. Therefore; do not saw materials that produce a lot of dust from below or overhead.

Lubricate the guide roller **10** occasionally with a drop of oil.

Check the guide roller **10** regularly. If worn; it must be replaced through an authorised Bosch after-sales service agent.

The plastic sliding shoe **12** should be replaced when it is worn.

After-sales Service and Application Service

Our after-sales service responds to your questions concerning maintenance and repair of your product as well as spare parts. Exploded views and information on spare parts can also be found under

www.bosch-pt.com

Bosch's application service team will gladly answer questions concerning our products and their accessories.

In all correspondence and spare parts order; please always include the 10-digit article number given on the type plate of the machine.

Great Britain

Robert Bosch Ltd. (B.S.C.)
P.O. Box 98
Broadwater Park
North Orbital Road
Denham
Uxbridge
UB 9 5HJ
Tel. ServiceJ(0844) 7360109
FaxJ(0844) 7360146
E:MailJboschservicecentreQ bosch.com

Ireland

Origo Ltd.
Unit 23 Magna Drive
Magna Business Park
City West
Dublin 24
Tel. ServiceJ(01) 4666700
FaxJ(01) 4666888

Australia, New Zealand and Pacific Islands

Robert Bosch Australia Pty. Ltd.
Power Tools
Locked Bag 66
Clayton South VIC 3169
Customer Contact Center
Inside AustraliaJ
PhoneJ(01300) 307044
FaxJ(01300) 307045
Inside New ZealandJ
PhoneJ(0800) 543353
FaxJ(0800) 428570
Outside AU and NZJ
PhoneJ 61 3 95415555
www.bosch.com.au

Republic of South Africa

Customer service
HotlineJ(011) 6519600

Gauteng BSC Service Centre

35 Roper Street; New Centre
[ohannesburg
Tel.J(011) 4939375
FaxJ(011) 4930126
E:MailJbscstoolsQ icon.co.za

KZN BSC Service Centre

Unit E; Almar Centre
143 Crompton Street
Pinetown
Tel.J(031) 7012120
FaxJ(031) 7012446
E:MailJbsc.durQza.bosch.com

Western Cape BSC Service Centre

Democracy Way; Prosperity Park
Milnerton
Tel.J(021) 5512577
FaxJ(021) 5513223
E:MailJbscQzsd.co.za