

**Robert Bosch GmbH**  
Power Tools Division  
70745 Leinfelden-Echterdingen  
Germany

[www.bosch-pt.com](http://www.bosch-pt.com)

1 609 92A 0HJ (2013.11) O / 154 EURO



1 609 92A 0HJ

## GRW Professional

12 E | 18-2 E

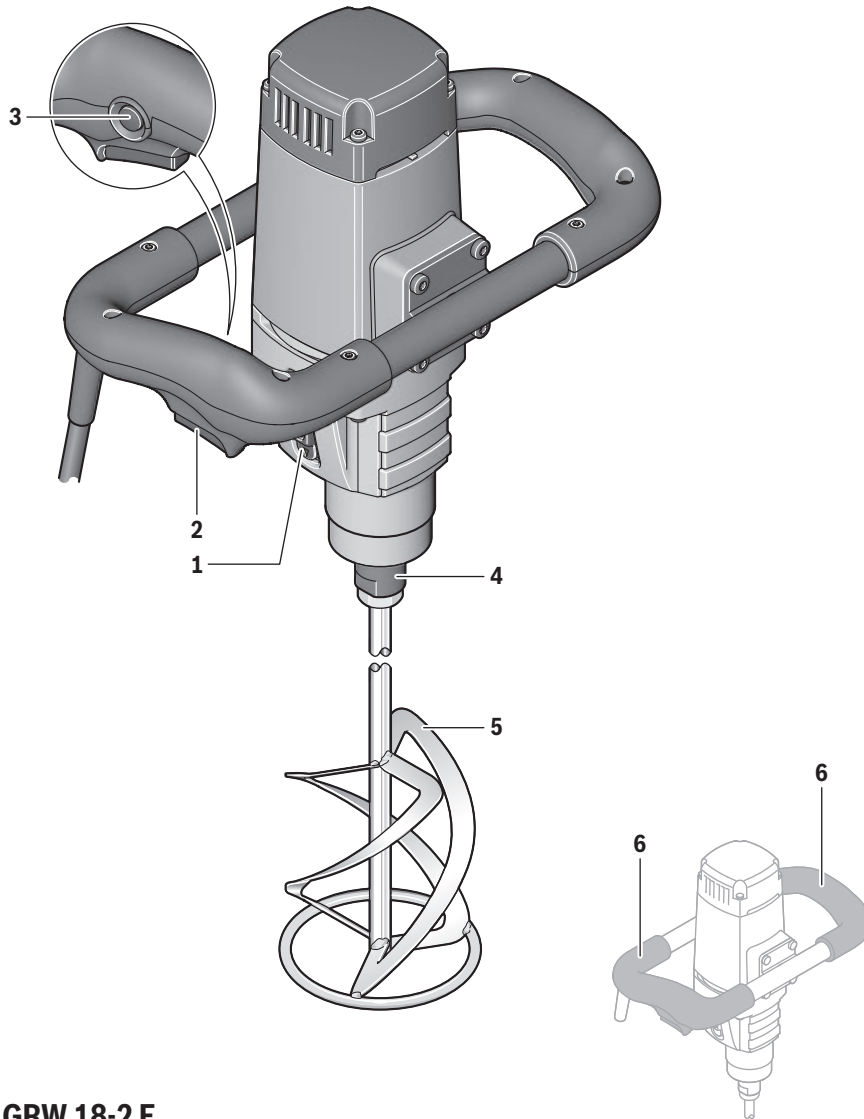
 **BOSCH**

**de** Originalbetriebsanleitung  
**en** Original instructions  
**fr** Notice originale  
**es** Manual original  
**pt** Manual original  
**it** Istruzioni originali  
**nl** Oorspronkelijke  
gebruiksaanwijzing  
**da** Original brugsanvisning  
**sv** Bruksanvisning i original  
**no** Original driftsinstruks  
**fi** Alkuperäiset ohjeet  
**el** Πρωτότυπο οδηγιών χρήσης

**tr** Orijinal işletme talimatı  
**pl** Instrukcja oryginalna  
**cs** Původní návod k používání  
**sk** Pôvodný návod na použitie  
**hu** Eredeti használati utasítás  
**ru** Оригинальное руководство  
по эксплуатации  
**uk** Оригінальна інструкція з  
експлуатації  
**kk** Пайдалану нұсқаулығының  
түпнұсқасы  
**ro** Instrucțiuni originale  
**bg** Оригинална инструкция

**mk** Оригинално упатство за работа  
**sr** Originalno uputstvo za rad  
**sl** Izvirna navodila  
**hr** Originalne upute za rad  
**et** Algupärane kasutusjuhend  
**lv** Instrukcijas oriģinālvalodā  
**lt** Originali instrukcija  
**ar** تعليمات التشغيل الأصلية  
**fa** دفترچه راهنمای اصلی





**GRW 18-2 E**

## 8 | English

- **Vermeiden Sie den Dauerbetrieb des Elektrowerkzeuges mit verminderter Drehzahl.** Andernfalls könnte der Motor des Elektrowerkzeuges überhitzen.

Um die Feststellaste 3 zu lösen, drücken Sie Ein-/Ausschalter 2 kurz und lassen ihn dann los. Damit wird ein unbeabsichtigtes Wiederanlaufen des Elektrowerkzeuges verhindert (Verletzungsgefahr).

Die Wahl des Rührkorbes hängt vom Rührgut ab.

Für Rührgut mit niedriger Viskosität, wie z. B. Dispersionsfarbe, Lacke, Kleber, Vergussmasse, Zementschlämme verwenden Sie einen Rührkorb mit Linkswendel. Im Rührkorb mit Linkswendel wird das Material von oben nach unten befördert. Der Rührkorb wird nach oben gedrückt. Rührgut mit niedriger Viskosität wird spritzarm gemischt.

Für Rührgut mit hoher Viskosität, wie z. B. Fertigputz, Beton, Zement, Estrich, Spachtelmasse, Epoxidharz verwenden Sie einen Rührkorb mit Rechtswendel. Im Rührkorb mit Rechtswendel wird das Material von unten nach oben befördert. Der Rührkorb arbeitet sich in das Mischgut ein. Rührgut mit hoher Viskosität wird optimal durchmischt.

Bewegen Sie das Elektrowerkzeug beim Arbeiten auf und ab. Reinigen Sie den Rührkorb nach Gebrauch.

- **Lagern Sie das Elektrowerkzeug an einem sicheren Platz. Sorgen Sie dafür, dass es nicht umfallen kann.** Das Elektrowerkzeug kann sonst beschädigt werden.

## Wartung und Service

### Wartung und Reinigung

- **Ziehen Sie vor allen Arbeiten am Elektrowerkzeug den Netzstecker aus der Steckdose.**
- **Halten Sie das Elektrowerkzeug und die Lüftungsschlitze sauber, um gut und sicher zu arbeiten.**

Wenn ein Ersatz der Anschlussleitung erforderlich ist, dann ist dies von Bosch oder einer autorisierten Kundendienststelle für Bosch-Elektrowerkzeuge auszuführen, um Sicherheitsgefährdungen zu vermeiden.

### Kundendienst und Anwendungsberatung

Der Kundendienst beantwortet Ihre Fragen zu Reparatur und Wartung Ihres Produkts sowie zu Ersatzteilen. Explosionszeichnungen und Informationen zu Ersatzteilen finden Sie auch unter:

**www.bosch-pt.com**

Das Bosch-Anwendungsberatungs-Team hilft Ihnen gerne bei Fragen zu unseren Produkten und deren Zubehör.

**www.powertool-portal.de**, das Internetportal für Handwerker und Heimwerker.

Geben Sie bei allen Rückfragen und Ersatzteilbestellungen bitte unbedingt die 10-stellige Sachnummer laut Typenschild des Elektrowerkzeuges an.

### Deutschland

Robert Bosch GmbH

Servicezentrum Elektrowerkzeuge

Zur Luhne 2

37589 Kalefeld – Willershausen

Unter [www.bosch-pt.com](http://www.bosch-pt.com) können Sie online Ersatzteile bestellen oder Reparaturen anmelden.

Kundendienst: Tel.: (0711) 40040480

Fax: (0711) 40040481

E-Mail: [Servicezentrum.Elektrowerkzeuge@de.bosch.com](mailto:Servicezentrum.Elektrowerkzeuge@de.bosch.com)

Anwendungsberatung: Tel.: (0711) 40040480

Fax: (0711) 40040482

E-Mail: [Anwendungsberatung.pt@de.bosch.com](mailto:Anwendungsberatung.pt@de.bosch.com)

### Österreich

Tel.: (01) 797222010

Fax: (01) 797222011

E-Mail: [service.elektrowerkzeuge@at.bosch.com](mailto:service.elektrowerkzeuge@at.bosch.com)

### Schweiz

Tel.: (044) 8471511

Fax: (044) 8471551

E-Mail: [AfterSales.Service@de.bosch.com](mailto:AfterSales.Service@de.bosch.com)

### Luxemburg

Tel.: +32 2 588 0589

Fax: +32 2 588 0595

E-Mail: [outillage.gereedschap@be.bosch.com](mailto:outillage.gereedschap@be.bosch.com)

### Entsorgung

Elektrowerkzeuge, Zubehör und Verpackungen sollen einer umweltgerechten Wiederverwertung zugeführt werden.

Werfen Sie Elektrowerkzeuge nicht in den Hausmüll!

#### Nur für EU-Länder:



Gemäß der Europäischen Richtlinie 2012/19/EU über Elektro- und Elektronik-Altgeräte und ihrer Umsetzung in nationales Recht müssen nicht mehr gebrauchsfähige Elektrowerkzeuge getrennt gesammelt und einer umweltgerechten Wiederverwertung zugeführt werden.

Änderungen vorbehalten.

## English

### Safety Notes

#### General Power Tool Safety Warnings

**⚠ WARNING** **Read all safety warnings and all instructions.** Failure to follow the warnings and instructions may result in electric shock, fire and/or serious injury.

#### Save all warnings and instructions for future reference.

The term "power tool" in the warnings refers to your mains-operated (corded) power tool or battery-operated (cordless) power tool.

**Work area safety**

- ▶ **Keep work area clean and well lit.** Cluttered or dark areas invite accidents.
- ▶ **Do not operate power tools in explosive atmospheres, such as in the presence of flammable liquids, gases or dust.** Power tools create sparks which may ignite the dust or fumes.
- ▶ **Keep children and bystanders away while operating a power tool.** Distractions can cause you to lose control.

**Electrical safety**

- ▶ **Power tool plugs must match the outlet. Never modify the plug in any way. Do not use any adapter plugs with earthed (grounded) power tools.** Unmodified plugs and matching outlets will reduce risk of electric shock.
- ▶ **Avoid body contact with earthed or grounded surfaces, such as pipes, radiators, ranges and refrigerators.** There is an increased risk of electric shock if your body is earthed or grounded.
- ▶ **Do not expose power tools to rain or wet conditions.** Water entering a power tool will increase the risk of electric shock.
- ▶ **Do not abuse the cord. Never use the cord for carrying, pulling or unplugging the power tool. Keep cord away from heat, oil, sharp edges and moving parts.** Damaged or entangled cords increase the risk of electric shock.
- ▶ **When operating a power tool outdoors, use an extension cord suitable for outdoor use.** Use of a cord suitable for outdoor use reduces the risk of electric shock.
- ▶ **If operating a power tool in a damp location is unavoidable, use a residual current device (RCD) protected supply.** Use of an RCD reduces the risk of electric shock.

**Personal safety**

- ▶ **Stay alert, watch what you are doing and use common sense when operating a power tool. Do not use a power tool while you are tired or under the influence of drugs, alcohol or medication.** A moment of inattention while operating power tools may result in serious personal injury.
- ▶ **Use personal protective equipment. Always wear eye protection.** Protective equipment such as dust mask, non-skid safety shoes, hard hat, or hearing protection used for appropriate conditions will reduce personal injuries.
- ▶ **Prevent unintentional starting. Ensure the switch is in the off-position before connecting to power source and/or battery pack, picking up or carrying the tool.** Carrying power tools with your finger on the switch or energising power tools that have the switch on invites accidents.
- ▶ **Remove any adjusting key or wrench before turning the power tool on.** A wrench or a key left attached to a rotating part of the power tool may result in personal injury.
- ▶ **Do not overreach. Keep proper footing and balance at all times.** This enables better control of the power tool in unexpected situations.

- ▶ **Dress properly. Do not wear loose clothing or jewellery. Keep your hair, clothing and gloves away from moving parts.** Loose clothes, jewellery or long hair can be caught in moving parts.
- ▶ **If devices are provided for the connection of dust extraction and collection facilities, ensure these are connected and properly used.** Use of dust collection can reduce dust-related hazards.

**Power tool use and care**

- ▶ **Do not force the power tool. Use the correct power tool for your application.** The correct power tool will do the job better and safer at the rate for which it was designed.
- ▶ **Do not use the power tool if the switch does not turn it on and off.** Any power tool that cannot be controlled with the switch is dangerous and must be repaired.
- ▶ **Disconnect the plug from the power source and/or the battery pack from the power tool before making any adjustments, changing accessories, or storing power tools.** Such preventive safety measures reduce the risk of starting the power tool accidentally.
- ▶ **Store idle power tools out of the reach of children and do not allow persons unfamiliar with the power tool or these instructions to operate the power tool.** Power tools are dangerous in the hands of untrained users.
- ▶ **Maintain power tools. Check for misalignment or binding of moving parts, breakage of parts and any other condition that may affect the power tool's operation. If damaged, have the power tool repaired before use.** Many accidents are caused by poorly maintained power tools.
- ▶ **Keep cutting tools sharp and clean.** Properly maintained cutting tools with sharp cutting edges are less likely to bind and are easier to control.
- ▶ **Use the power tool, accessories and tool bits etc. in accordance with these instructions, taking into account the working conditions and the work to be performed.** Use of the power tool for operations different from those intended could result in a hazardous situation.

**Service**

- ▶ **Have your power tool serviced by a qualified repair person using only identical replacement parts.** This will ensure that the safety of the power tool is maintained.

**Machine-specific Safety Warnings**

- ▶ **Do not use the power tool for explosive materials (e. g., easily flammable solvents).** Power tools produce sparks which could ignite developing vapours.
- ▶ **In case the power tool should fall into the material to be stirred, pull the plug immediately and have the power tool checked by an after-sales service agent.** Material that has penetrated the power tool can cause damage and lead to an electric shock.
- ▶ **Hold the machine firmly with both hands by the insulated gripping surfaces while working and keep proper footing and balance at all times.** The machine is more securely guided with both hands. Loss of control can cause personal injury.

## 10 | English

- ▶ **Hold power tool by insulated gripping surfaces, when performing an operation where the cutting accessory may contact hidden wiring or its own cord.** Cutting accessory contacting a "live" wire may make exposed metal parts of the power tool "live" and could give the operator an electric shock.
- ▶ **Switch off the power tool immediately when the tool insert jams. Be prepared for high reaction torque that can cause kickback.** The tool insert jams when:
  - the power tool is subject to overload or
  - it becomes wedged in the workpiece.
- ▶ **Do not mix food.** Power tools and their accessories are not designed for processing food.
- ▶ **Keep the cord away from the working area.** The cord may be entangled by the stirrer paddle.
- ▶ **The mixing container must be suitable for mixing and must stand securely.** A container that is not properly secured may move uncontrolled.
- ▶ **Ensure that no liquid splashes against the housing of the power tool.** Liquid that has penetrated the power tool can cause damage and lead to electric shock.
- ▶ **Follow the instructions and warnings in the Material Safety Data Sheets (MSDS) of the material to be mixed.** Material to be mixed may be harmful.
- ▶ **In the event of a power interruption, release the locking switch by pressing the on/off switch.** This will prevent the power tool from restarting unintentionally (risk of injury).
- ▶ **Do not use the power tool in a stand.**

**Products sold in GB only:** Your product is fitted with a BS 1363/A approved electric plug with internal fuse (ASTA approved to BS 1362). If the plug is not suitable for your socket outlets, it should be cut off and an appropriate plug fitted in its place by an authorised customer service agent. The replacement plug should have the same fuse rating as the original plug.

The severed plug must be disposed of to avoid a possible shock hazard and should never be inserted into a mains socket elsewhere.

**Products sold in AUS and NZ only:** Use a residual current device (RCD) with a rated residual current of 30 mA or less.

## Product Description and Specifications



**Read all safety warnings and all instructions.** Failure to follow the warnings and instructions may result in electric shock, fire and/or serious injury.

While reading the operating instructions, unfold the graphics page for the machine and leave it open.

### Intended Use

The machine is intended for mixing pulverised building materials such as mortar, plaster, adhesives, as well as solvent-free paint, varnish and similar substances.

### Product Features

The numbering of the product features refers to the illustration of the machine on the graphics page.

- 1 Gear selector (GRW 18-2 E)
- 2 On/Off switch
- 3 Lock-on button for On/Off switch
- 4 Drive spindle
- 5 Stirrer paddle\*
- 6 Handle (insulated gripping surface)

\*Accessories shown or described are not part of the standard delivery scope of the product. A complete overview of accessories can be found in our accessories program.

## Technical Data

Stirrer/Mixer		GRW 12 E	GRW 18-2 E
Article number		3 601 AA7 0..	3 601 AA8 0..
Rated power input	W	1200	1800
Output power	W	780	1170
Gear selection, mechanical	–		●
No-load speed			
– 1st gear	min <sup>-1</sup>	0 – 1000	0 – 450
– 2nd gear	min <sup>-1</sup>	–	0 – 1050
Rated speed			
– 1st gear	min <sup>-1</sup>	0 – 620	0 – 250
– 2nd gear	min <sup>-1</sup>	–	0 – 580
Rated torque			
– 1st gear	Nm	12	45
– 2nd gear	Nm	–	19
Tool holder		M14	M14
The values given are valid for a nominal voltage [U] of 230 V. For different voltages and models for specific countries, these values can vary.			

Stirrer/Mixer		GRW 12 E	GRW 18-2 E
Maximum stirrer paddle diameter	mm	140	180
Weight according to EPTA-Procedure 01/2003	kg	5.3	7.2
Protection class		□/II	□/II

The values given are valid for a nominal voltage [U] of 230 V. For different voltages and models for specific countries, these values can vary.

### Noise/Vibration Information

Measured sound values determined according to EN 60745.		GRW 12 E 3 601 AA7 0..	GRW 18-2 E 3 601 AA8 0..
Typically the A-weighted noise levels of the product are			
Sound pressure level	dB(A)	89	87
Sound power level	dB(A)	100	98
Uncertainty K	dB	3	3
<b>Wear hearing protection!</b>			
Vibration total values $a_h$ (triax vector sum) and uncertainty K determined according to EN 60745:			
$a_h$	$m/s^2$	4.5	8.5
K	$m/s^2$	1.5	1.5

The vibration level given in this information sheet has been measured in accordance with a standardised test given in EN 60745 and may be used to compare one tool with another. It may be used for a preliminary assessment of exposure. The declared vibration emission level represents the main applications of the tool. However if the tool is used for different applications, with different accessories or insertion tools or is poorly maintained, the vibration emission may differ. This may significantly increase the exposure level over the total working period.

An estimation of the level of exposure to vibration should also take into account the times when the tool is switched off or when it is running but not actually doing the job. This may significantly reduce the exposure level over the total working period.

Identify additional safety measures to protect the operator from the effects of vibration such as: maintain the tool and the accessories, keep the hands warm, organisation of work patterns.

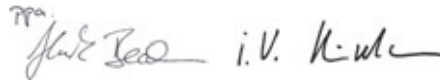
### Declaration of Conformity **CE**

We declare under our sole responsibility that the product described under "Technical Data" is in conformity with the following standards or standardization documents: EN 60745 according to the provisions of the directives 2011/65/EU, 2004/108/EC, 2006/42/EC.

Technical file (2006/42/EC) at:  
Robert Bosch GmbH, PT/ETM9,  
D-70745 Leinfelden-Echterdingen

Henk Becker  
Executive Vice President  
Engineering

Helmut Heinzlmann  
Head of Product Certification  
PT/ETM9



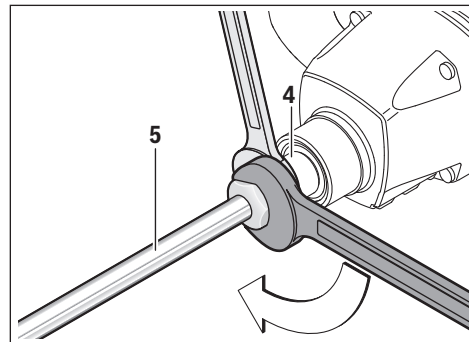
Robert Bosch GmbH, Power Tools Division  
D-70745 Leinfelden-Echterdingen  
27.06.2013

### Assembly

- Before any work on the machine itself, pull the mains plug.

### Changing the Tool

#### Stirrer Paddle with Male Thread, Size M 14



Screw the stirrer paddle **5** into the drive spindle **4**. To do so, hold the drive spindle **4** using an open-ended spanner (GRW 12 E: width across flats 22 mm, GRW 18-2 E: width

## 12 | English

across flats 24 mm), and use a second open-ended spanner (width across flats 22 mm or 24 mm) to tighten the stirrer paddle **5**.

The stirrer paddle is disassembled in reverse order.

## Operation

### Starting Operation

► **Observe the mains voltage! The voltage of the power source must correspond with the data on the type plate of the machine.**

► Dusts, e.g. mineral dusts, can be harmful to one's health. Contact with or inhaling the dusts can trigger allergic reactions to the operator or bystanders and/or lead to respiratory infections.

- Materials containing asbestos may only be worked on by specialists.
- Provide for good ventilation of the working place.
  - It is recommended to wear a P2 filter-class respirator.

Observe the relevant regulations in your country for the materials to be worked.

### Gear selection, mechanical (GRW 18-2 E)

► **Operate the gear selector **1** only when the power tool is not in use.**

Press in the gear selector **1** and slide it until it locks.

Two speed ranges can be preselected with the gear selector **1**.



#### Gear I:

Low speed range; for working up to a stirrer paddle diameter of 180 mm.



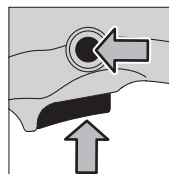
#### Gear II:

High speed range; for working up to a stirrer paddle diameter of 140 mm.

If the gear selector **1** cannot be slid all the way at standstill, turn the drive spindle slightly with the stirrer paddle.

### Switching On and Off

To **start** the machine, press the On/Off switch **2** and keep it pressed.



Press the lock-on button **3** to **lock** the pressed on/off switch **2**.

To **switch off** the machine, release the On/Off switch **2** or when it is locked with the lock-on button **3**, briefly press the On/Off switch **2** and then release it.

To save energy, only switch the power tool on when using it.

### Adjusting the Speed

The speed of the switched on power tool can be variably adjusted, depending on how far the On/Off switch **2** is pressed. Light pressure on the On/Off switch **2** results in a low rotational speed. Further pressure on the switch results in an increase in speed.

### Working Advice

► **Do not use the power tool in a stand.**

► **Avoid splashing around the material being stirred.** Otherwise, you could slip and lose control over the power tool.

► **Avoid continuous operation of the power tool at reduced speed.** Otherwise the motor of the power tool could overheat.

To release the lock-on button **3**, briefly press the on/off switch **2** and then let it go. This will prevent the power tool from restarting unintentionally (risk of injury).

Selection of the stirrer paddle is dependent on the material that is to be stirred.

For materials with low viscosity, e.g. emulsion paint, varnishes, adhesive, grouting compound, cement slurry, use a stirrer paddle with a left-hand spiral. The material is moved from the top downwards in a stirrer paddle with a left-hand spiral. The stirrer paddle is pushed upwards. Materials with low viscosity are mixed in a way which minimises splattering.

For materials with high viscosity, e.g. plaster, concrete, cement, screed, filler, epoxy resin, use a stirrer paddle with right-hand spiral. The material is moved from the bottom upwards in a stirrer paddle with a right-hand spiral. The stirrer paddle works its way into the mixture. Materials with high viscosity are mixed thoroughly.

While mixing, move the power tool in an up and down motion. Clean the stirrer paddle after use.

► **Store the power tool in a safe place. Ensure that it cannot fall over.** Otherwise, the machine may become damaged.

## Maintenance and Service

### Maintenance and Cleaning

► **Before any work on the machine itself, pull the mains plug.**

► **For safe and proper working, always keep the machine and ventilation slots clean.**

If the replacement of the supply cord is necessary, this has to be done by Bosch or an authorized Bosch service agent in order to avoid a safety hazard.