

PLUS
1735 | 07.16

SFA

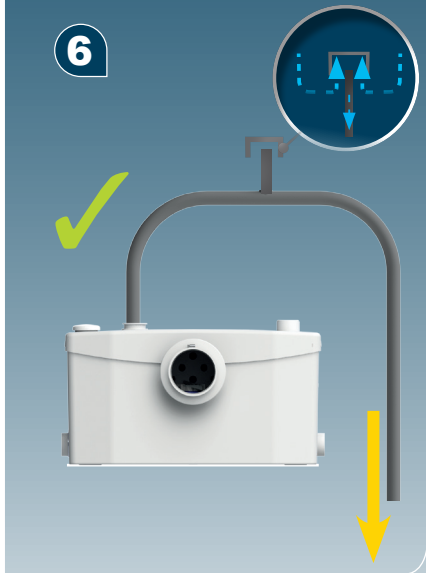
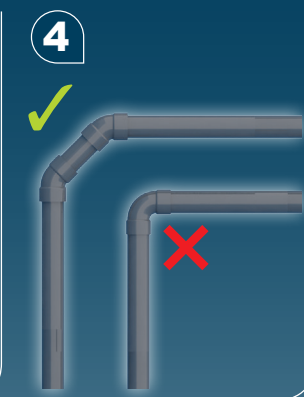
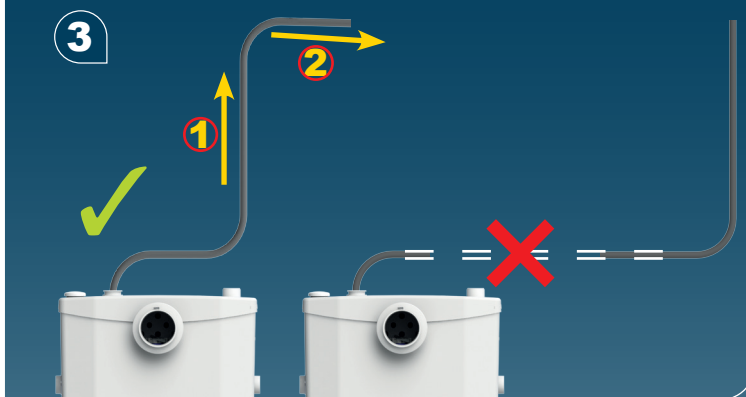
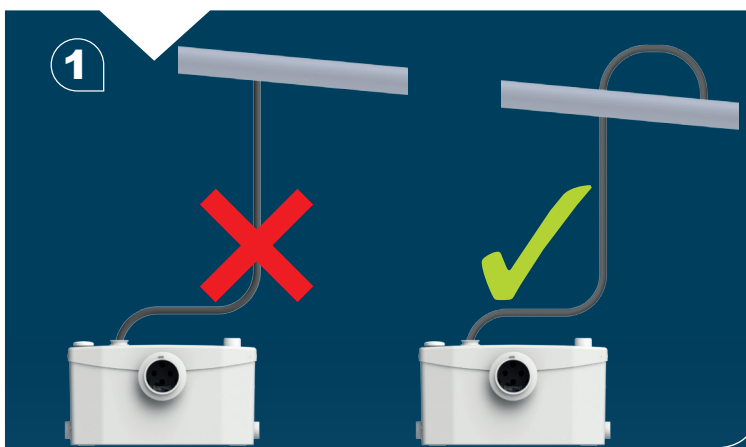
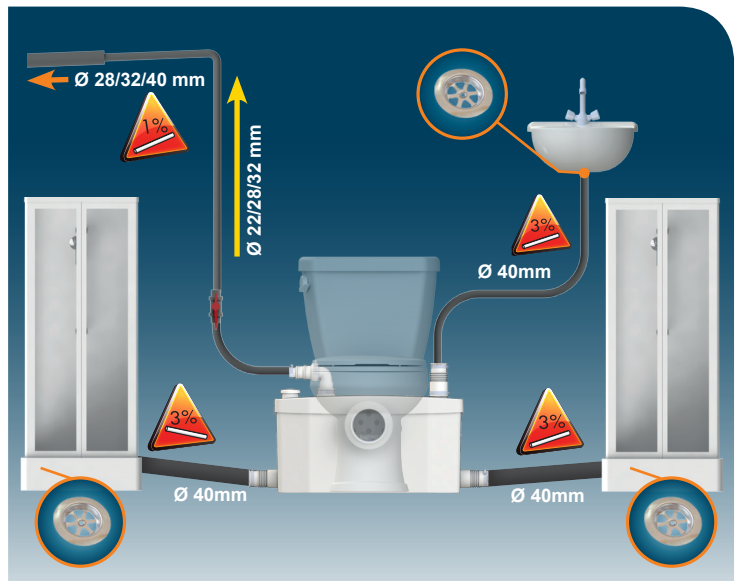
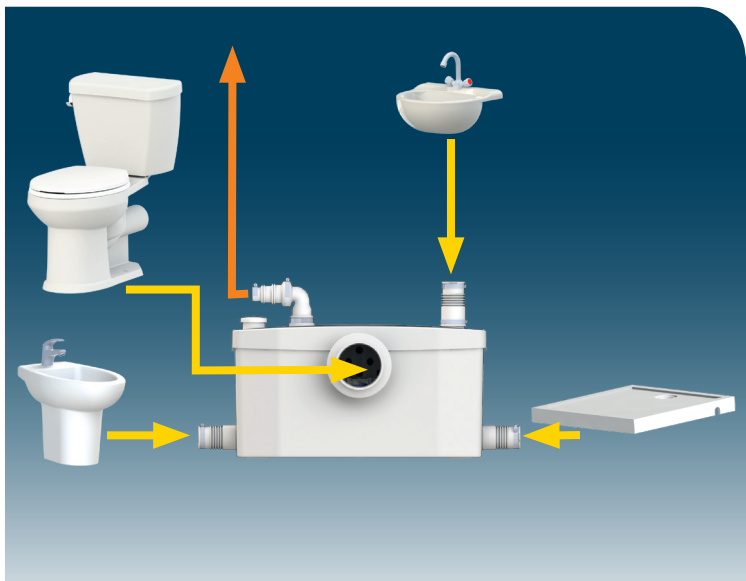


SANIPLUS®

UP

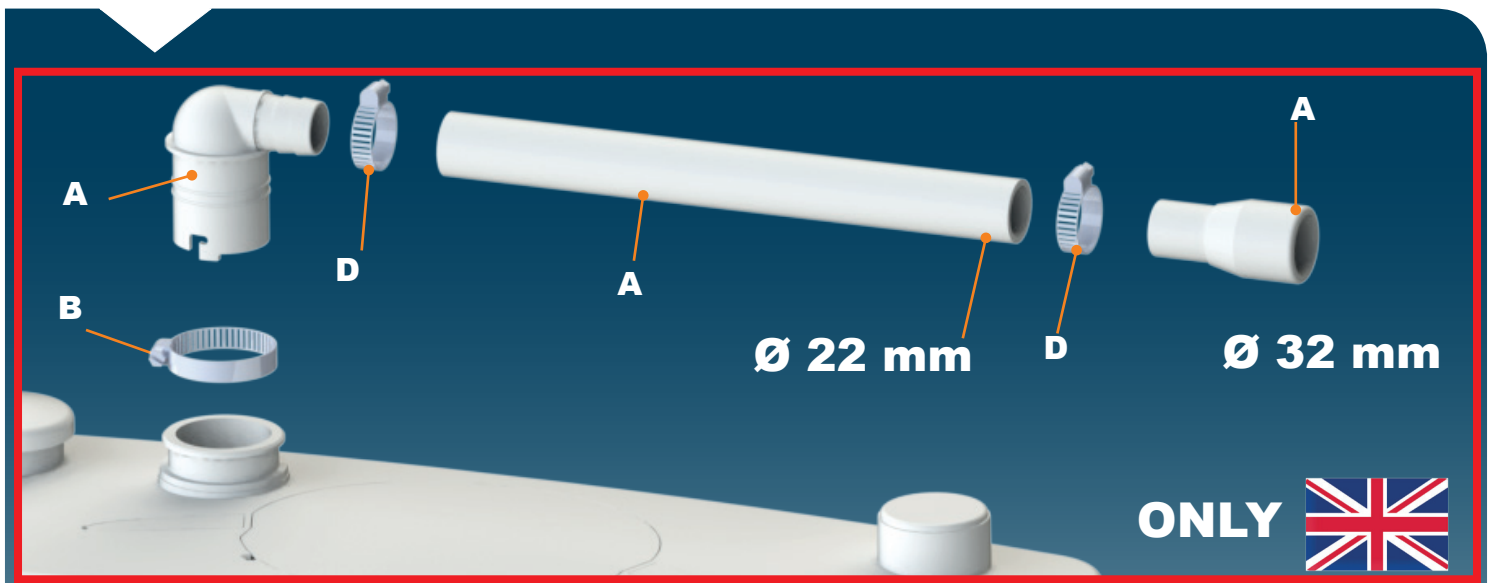
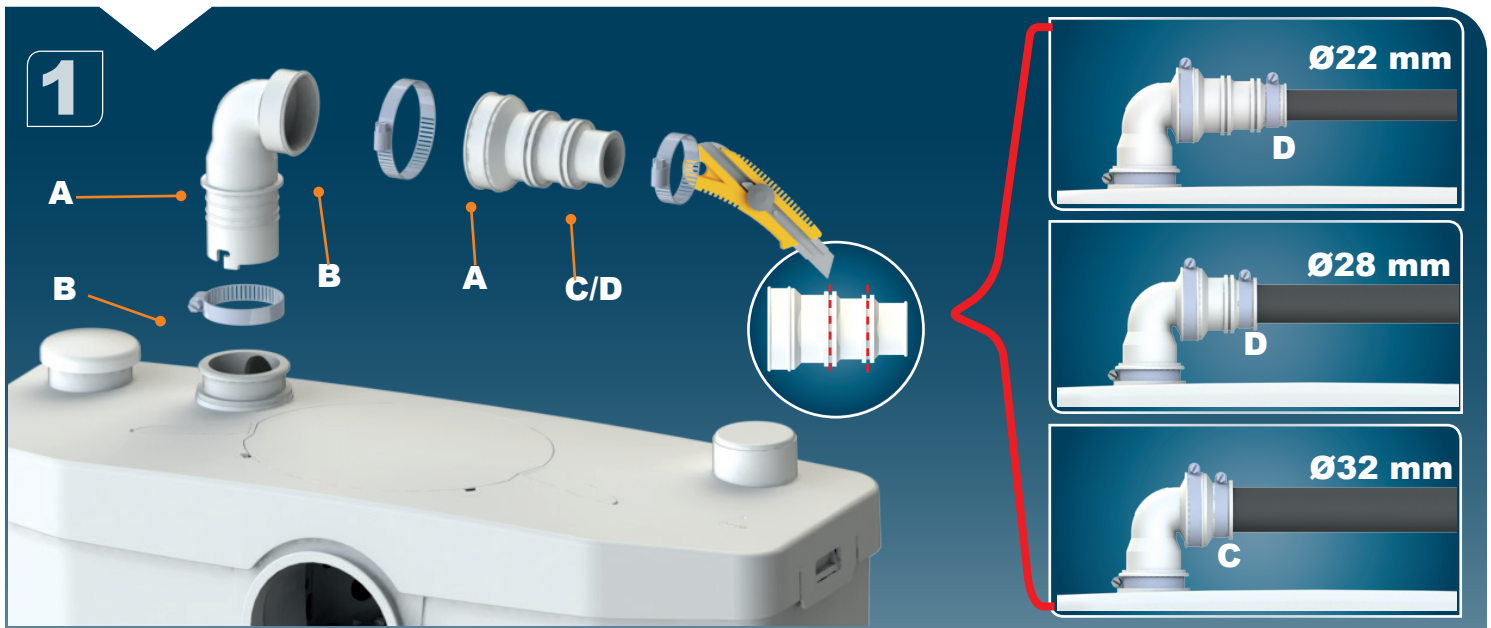
- | | | | | | |
|----|--------------------------------|----|--------------------------------------|----|-------------------------------|
| FR | NOTICE D'INSTALLATION | SE | INSTALLATIONSANVISNING | RO | MANUAL DE INSTALARE |
| UK | INSTALLATION INSTRUCTIONS | DK | INSTALLATIONSVEJLEDNING | CZ | NÁVOD K INSTALACI A POUŽÍVÁNÍ |
| DE | INSTALLATIONSHINWEISE | NO | INSTALLASJONSANVISING | TR | KURULUM KILAVUZU |
| IT | ISTRUZIONI PER L'INSTALLAZIONE | FI | ASENNUSOHJEET | CN | 用户应保留安装指南以备用 |
| ES | MANUAL DE INSTALACIÓN | HU | FELSZERELÉSI ÉS KEZELÉSI ÚTMUTATÓ | KR | 설치내용서 |
| BR | PT MANUAL DE INSTALAÇÃO | PL | INSTRUKCJA INSTALACJI | HR | UPUTA ZA INSTALACIJU |
| NL | INSTALLATIE VOORSCHRIFTEN | RU | ИНСТРУКЦИЯ ПО МОНТАЖУ И ЭКСПЛУАТАЦИИ | AR | بيكرتلا قرط |

CE





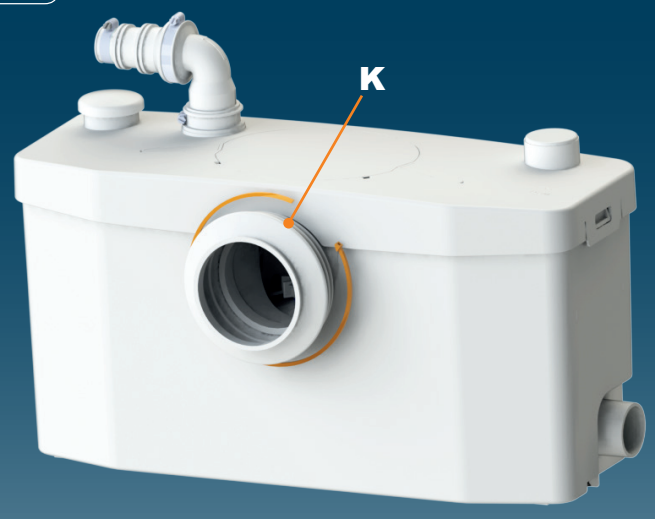
ONLY



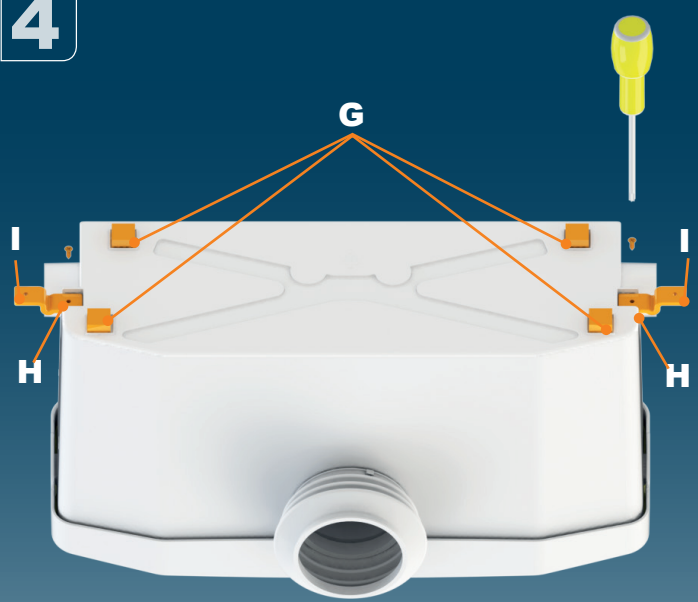
2



3



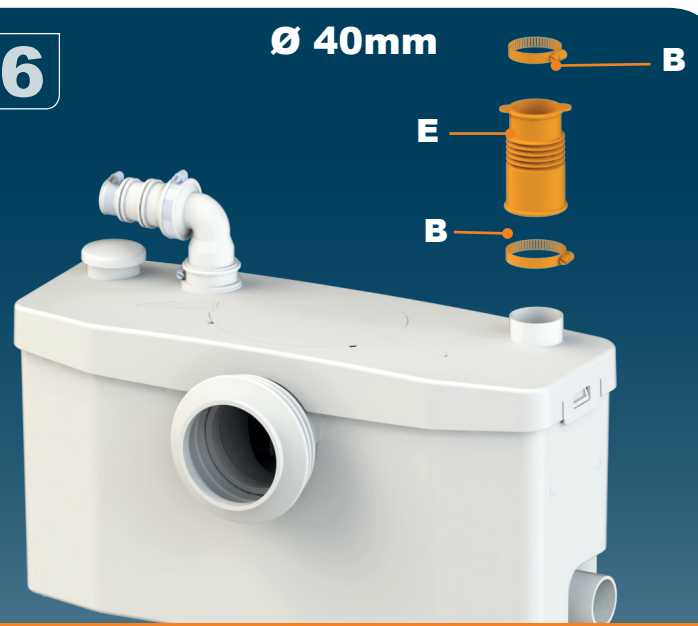
4



5



6



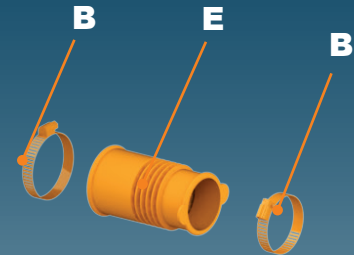
7



8



9

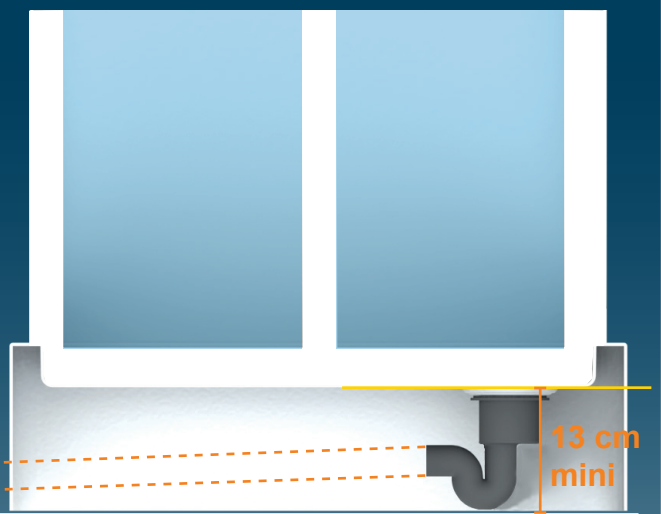


Ø 40mm

10

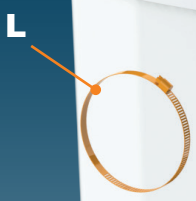


Ø 40mm



13 cm mini

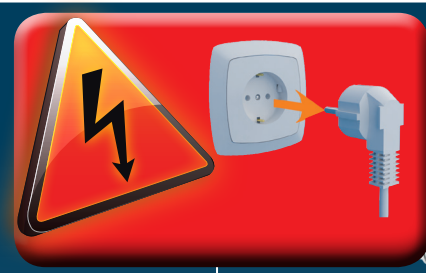
11



12



1



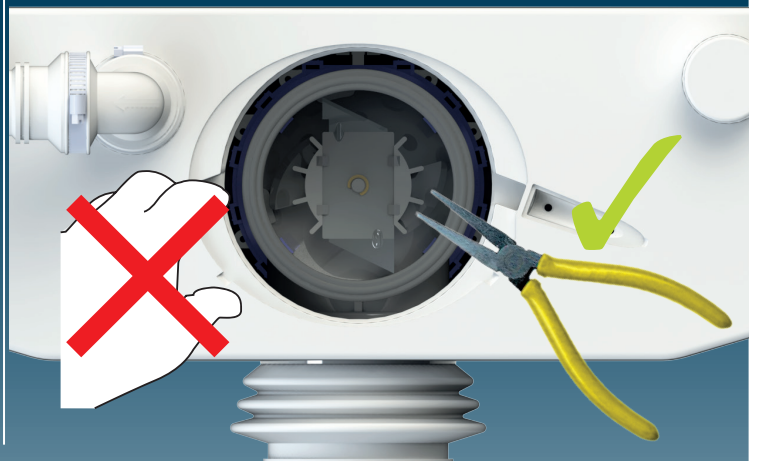
2

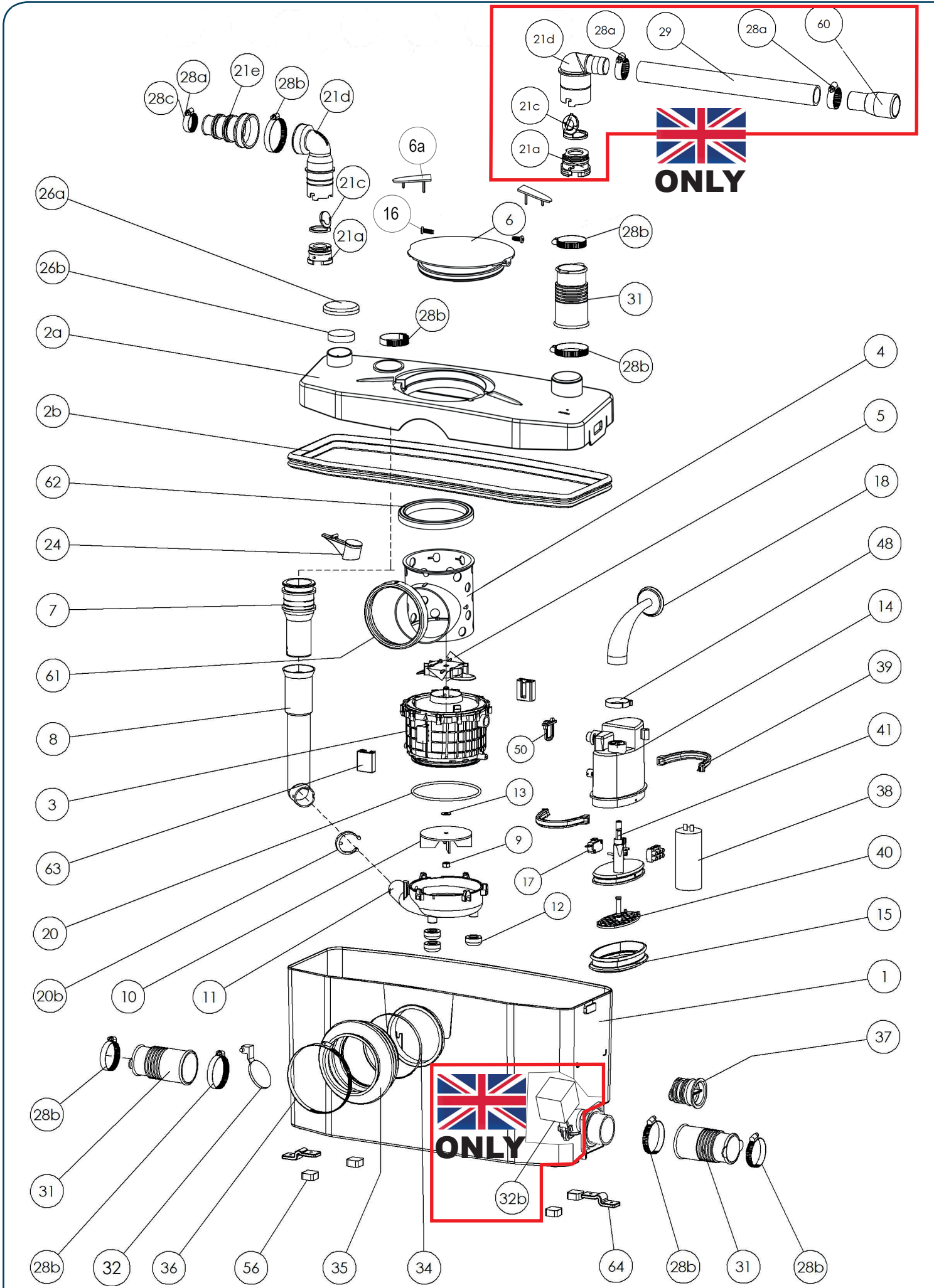


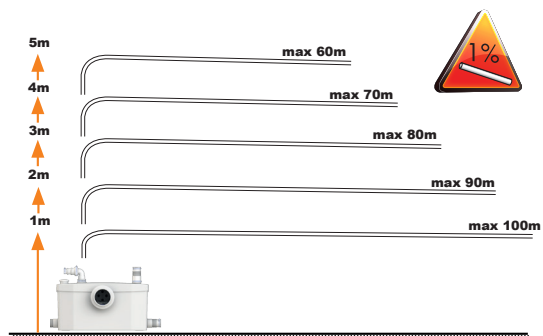
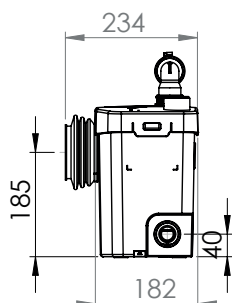
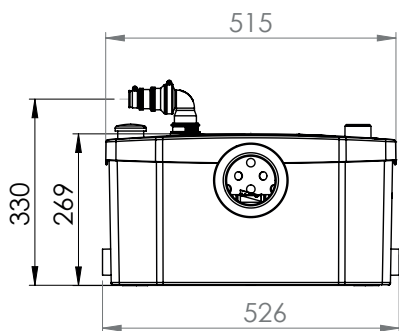
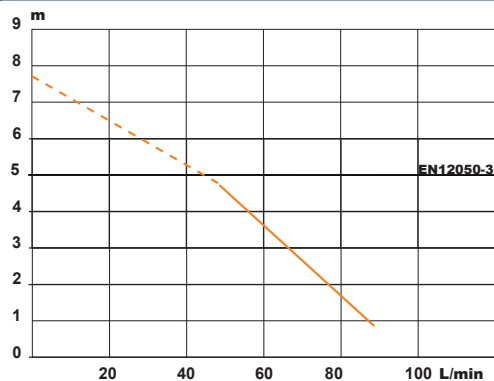
3




4







SANIPLUS UP

EN 12050-3
P 30
220-240 V - 50 Hz
400 W - IP44 - 1,9A
 **(class 1) - 6,4 Kg**

FRANCE

SOCIÉTÉ FRANÇAISE D'ASSAINISSEMENT
 41 bis avenue Bosquet - 75007 Paris
 Tél. +33 1 44 82 39 00
 Fax +33 1 44 82 39 01

UNITED KINGDOM

SANIFLO Ltd.
 Howard House, The Runway
 South Ruislip Middx.,
 HA4 6 SE
 Tel. +44 208 842 0033
 Fax +44 208 842 1671

IRELAND

SANIRISH Ltd
 IDA Industrial Estate
 Edenderry - County Offaly
 Tel. + 353 46 9733 102
 Fax + 353 46 97 33 093

AUSTRALIA

SANIFLO (Australasia) Pty Ltd
 Unit 9/10, 25 Gibbes Street
 Chatswood NSW 2067
 Tel. +61 298 826 200
 Fax +61 298 826 950

DEUTSCHLAND

SFA SANIBROY GmbH
 Waldstr. 23 Geb. B5 - 63128
 Dietzenbach
 Tel. (060 74) 30928-0
 Fax (060 74) 30928-90

ITALIA

SFA ITALIA spa
 Via del Benessere, 9
 27010 Sizzano (PV)
 Tel. 03 82 61 81
 Fax 03 82 61 8200

ESPAÑA

SFA S.L.
 C/ Vinyalets, 1 - Pl. Can Vinyalets
 08130 Sta. - Perpètua de Mogoda - Barcelona
 Tel. +34 93 544 60 76
 Fax +34 93 462 18 96

PORTUGAL

SFA, Lda.
 Sintra Business Park, ed.01-1°P2710-089 SINTRA
 Tel. +35 21 911 27 85
 Fax +35 21 957 70 00

РОССИЯ

SFA РОССИЯ
 101000 Москва - Колпачный переулок 9а
 Тел. (495) 258 29 51
 Факс. (495) 258 29 51

SUISSE SCHWEIZ SVIZZERA

SFA SANIBROY AG
 Vorstadt 4
 3380 Wangen a. A.
 Tel. + 41 (0)32 631 04 74
 Fax + 41 (0)32 631 04 75

BENELUX

SFA BENELUX B.V.
 Voltaweg 4
 6101 XK Echt (NL)
 Tel. +31 475 487100
 Fax +31 475 486515

SVERIGE

SANIFLO AB
 BOX 797
 S-191 27 Sollentuna
 Tel. +46 (0)8-404 15 30
 info@saniflo.se

POLSKA

SFA POLAND Sp. z o.o.
 ul. Białolecka 168
 03-253 Warszawa
 Tel. (+4822) 732 00 32
 Fax (+4822) 751 35 16

ČESKÁ REPUBLIKA

SFA-SANIBROY, spol. s r.o.
 Sokolovská 445/212, 180 00 Praha 8
 Tel. +420 266 712 855
 Fax, +420 266 712 856

ROMANIA

SFA SANIFLO S.R.L.
 145B Foisorului Street District 3
 31177 BUCURESTI
 Tel. +40 256 245 092
 Fax +40 256 245 029

TÜRKIYE

SFA SANIHYDRO LTD STI
 Mecidiye Cad No:36-B Sevensan APT
 34394 MECIDIYEKÖY - ISTANBUL
 Tel. +90 212 275 30 88
 Fax, +90 212 275 90 58

CHINA

SFA 中国
 上海市静安区石门二路333弄3号振安
 广场恒安大厦27C (200041)
 Tel. +86(0)21 6218 8969
 Fax. +86(0)21 6218 8970

KOREA

www.SFA.biz
 sales@saniflo-korea.kr

South Africa

Saniflo Africa (PTY) Ltd
 Unit A6 , Spearhead Business Park
 Cnr. Freedom Way & Montague Drive
 Montague Gardens, 7441
 Tel : +27 (0) 21 286 00 28
 www.saniflo.co.za

BRAZIL

SFA Brasil Equipamentos Sanitários,
 Rua Maria Figueiredo 595
 CEP 04002-003 SAO PAULO / SP
 Tel. (11) 3052-2292
 santrit@sanitrit.com.br

SERVICE HELPLINES

| | TEL | FAX | | | |
|-------------------------|--------------------------------------|---------------------|-----------------|--------------------|--------------------|
| France | 01 44 82 25 55 | 03 44 94 46 19 | Benelux | +31 475 487100 | +31 475 486515 |
| United Kingdom | 08457 650011 (Call from a land line) | 020 8842 1671 | Sverige | +46 (0)8-404 15 30 | |
| Ireland | 1850 23 24 25 (LOW CALL) | + 353 46 97 33093 | Norge | +46 (0)8-404 15 30 | |
| Australia | +1300 554 779 | +61.2.9882.6950 | Poljska | (+4822) 732 00 33 | (+4822) 751 35 16 |
| Deutschland | 0800 82 27 82 0 | (060 74) 30928-90 | POCCИЯ | (495) 258 29 51 | (495) 258 29 51 |
| Italia | 0382 6181 | +39 0382 618200 | Česká Republika | +420 266 712 855 | +420 266 712 856 |
| España | +34 93 544 60 76 | +34 93 462 18 96 | România | +40 256 245 092 | +40 256 245 029 |
| Portugal | +35 21 911 27 85 | +35 21 957 70 00 | Türkiye | +90 212 275 30 88 | +90 212 275 90 58 |
| Suisse Schweiz Svizzera | +41 (0)32 631 04 74 | +41 (0)32 631 04 75 | 中国 | +86(0)21 6218 8969 | +86(0)21 6218 8970 |
| | | | Brazil | (11) 3052-2292 | |

Service information : www.sfa.biz

Check out our full range of macerators

Saniflo Macerators

Flo-Force Macerators

Stuart Turner Macerators

Grundfos Macerators

Don't Forget These Macerator Accessories from Saniflo

Saniflo Sani Alarm

Saniflo Descaler

plumbworld
Big brands, small prices.