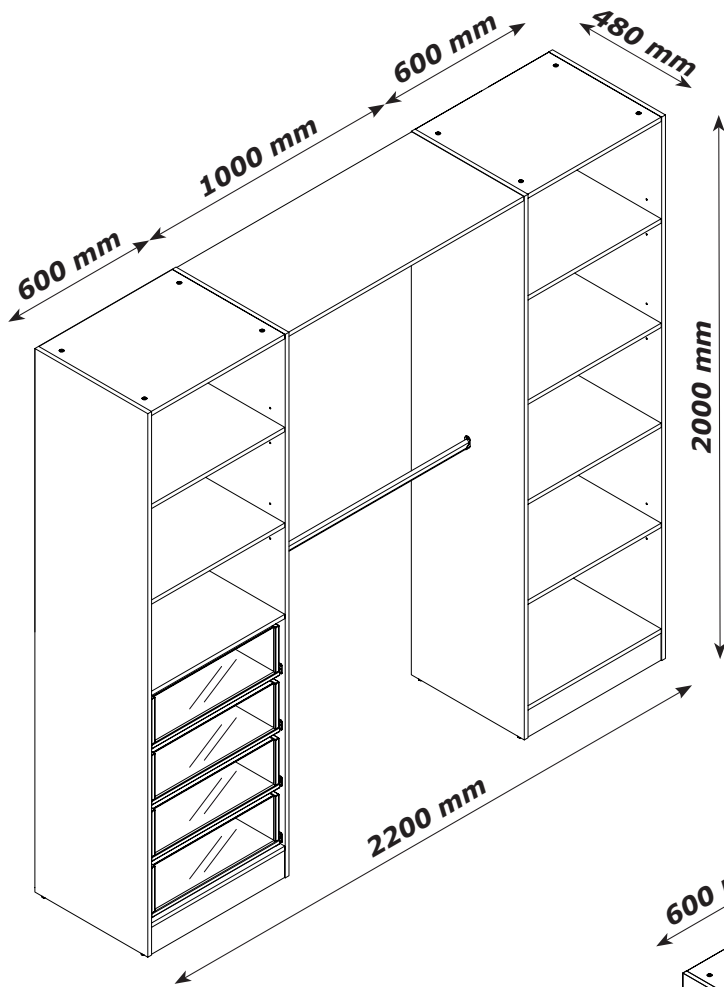
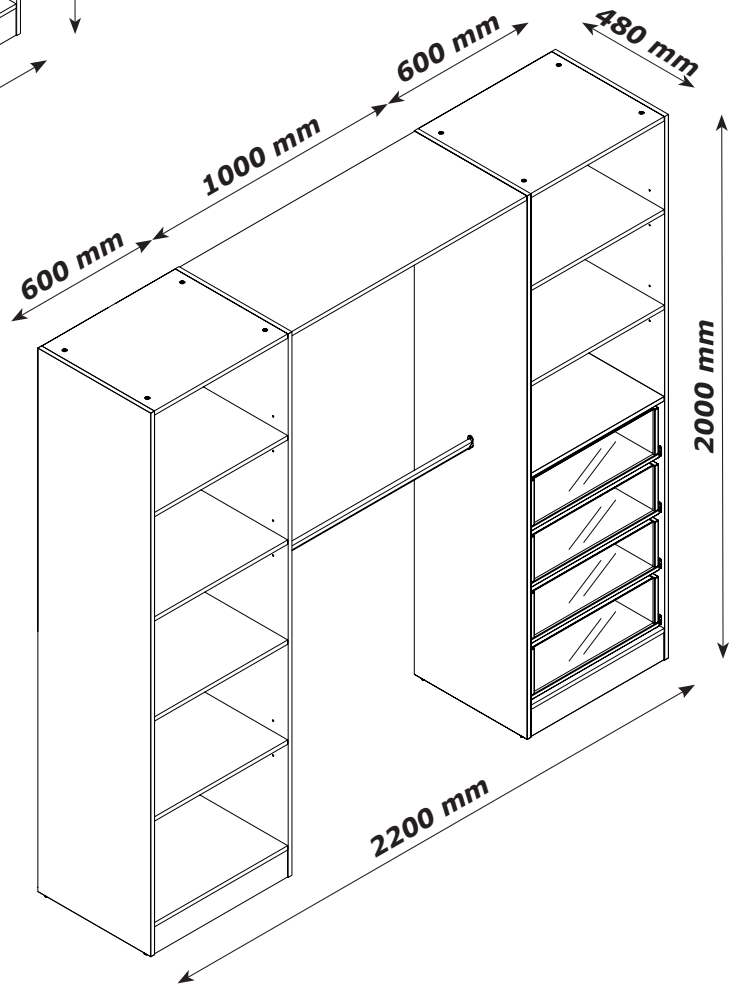


CL4306B71904



A

B



QF5337

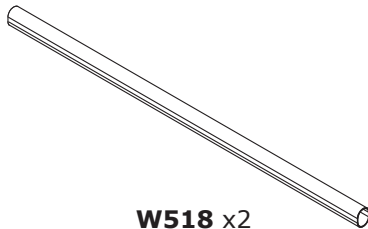
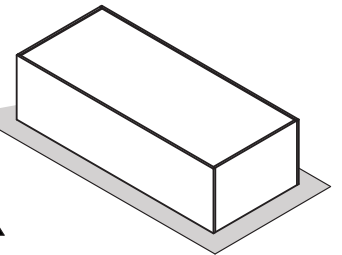
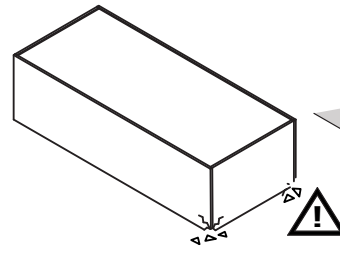
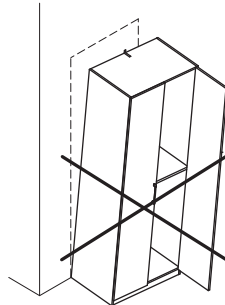
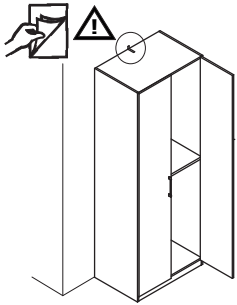
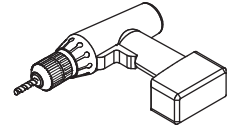
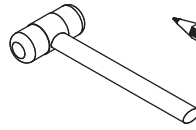
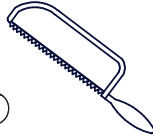
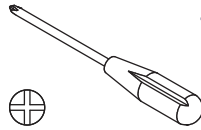
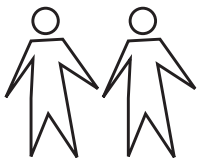


The Eco-Ethical Company

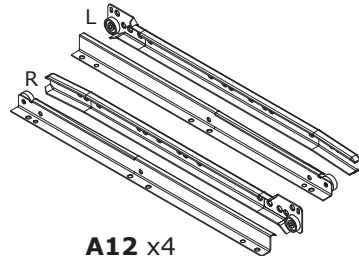


MADE IN ITALY

Produced by COMPOSAD srl, Via Lombardia 29, 46019 Viadana (MN) ITALY

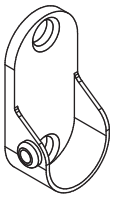


W518 x2
L.992mm

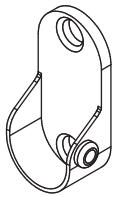


A12 x4
L.400mm

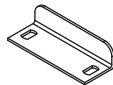
BU4394



R51 x2
Ø15



R52 x2
Ø15



H194
x3



T28
x24



V13
x24



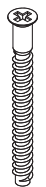
R5
x20



V19
x34



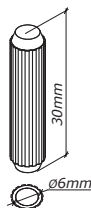
V5
x34



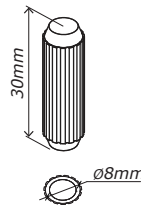
V130
x32



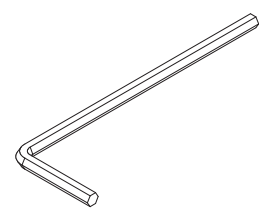
H15
x70



H186
x32



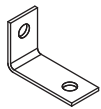
H1
x32



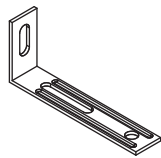
H292
x1



P38
x8



H141
x5



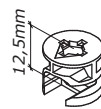
H185
x2



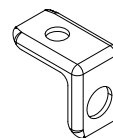
H129
x4



V81
x4

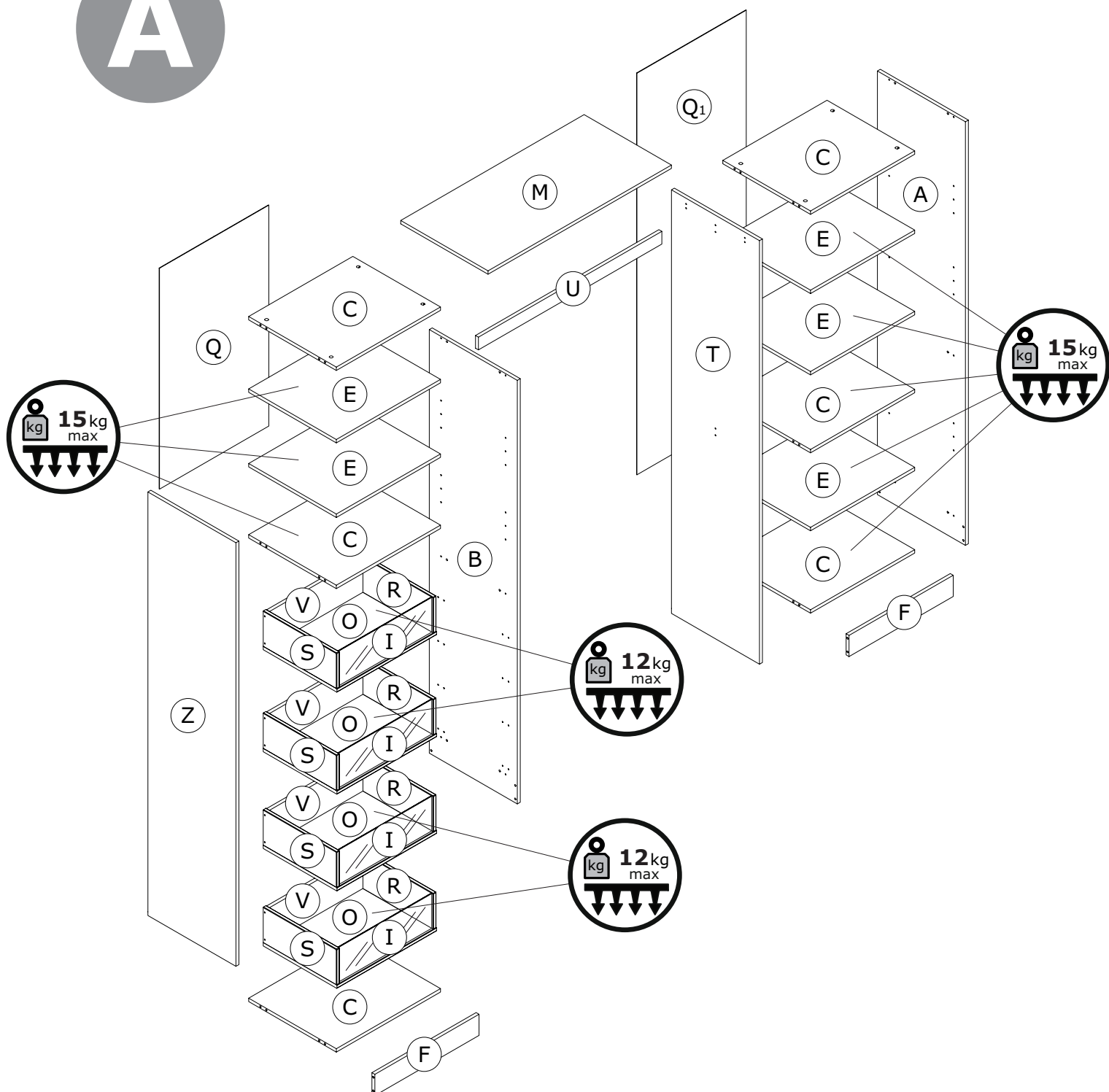


T7
x24

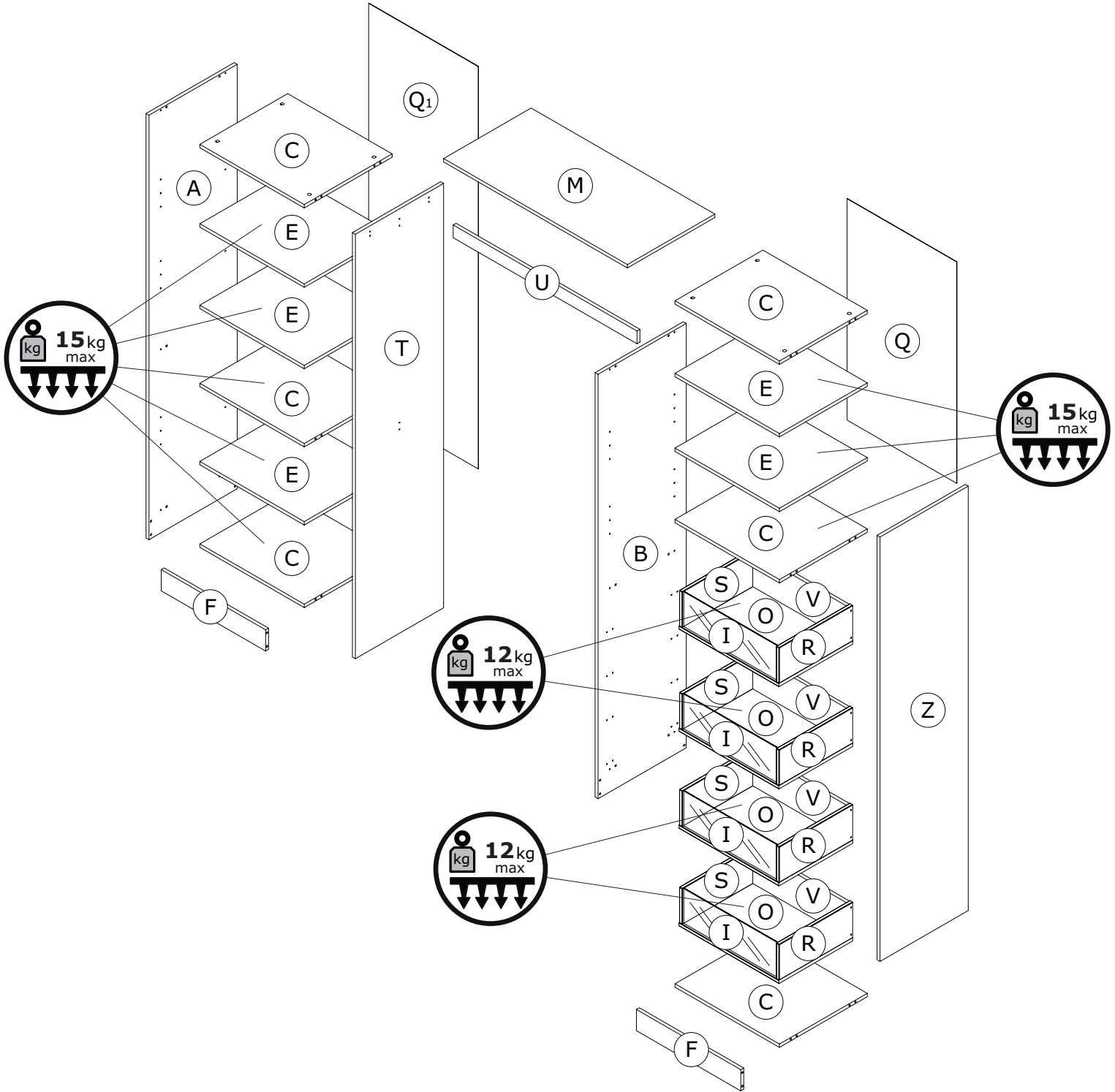


R56
x4

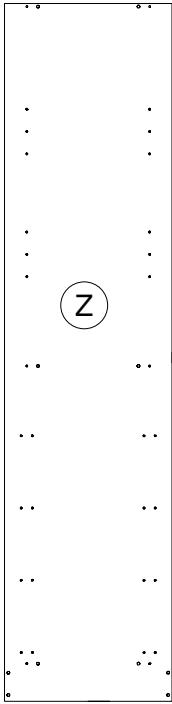
A



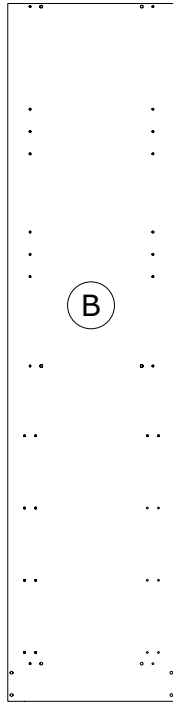
B



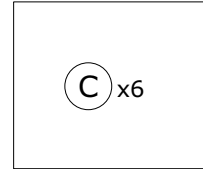
BOX 1/3



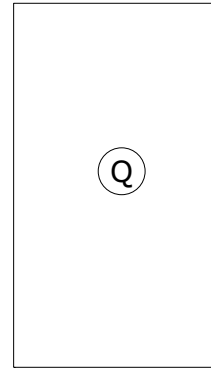
FI8829
2000x480x16 mm



FI8830
2000x480x16 mm

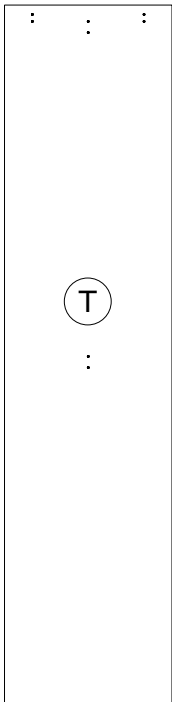


PI7217
568x478x16 mm

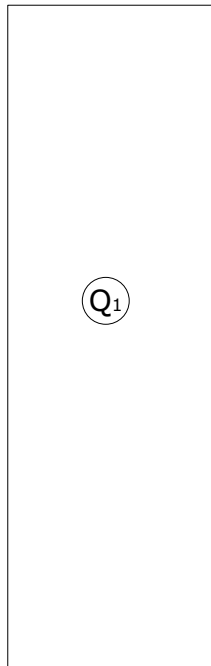


SH3413
1043x596x2 mm

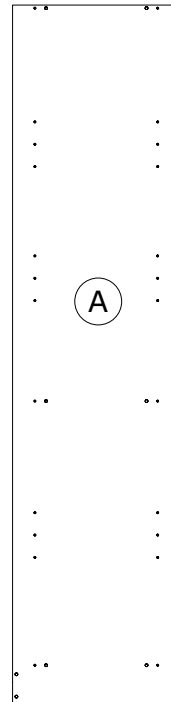
BOX 2/3



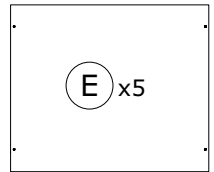
FI8832
2000x480x16 mm



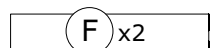
SH3412
1896x596x2 mm



FI8831
2000x480x16 mm

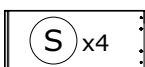


PI7218
568x478x16 mm

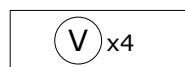


Z01638
568x100x16 mm

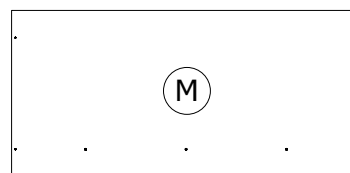
BOX 3/3



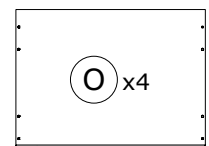
SP0487
167x400x16 mm



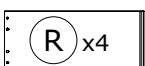
FS4130
164x511x16 mm



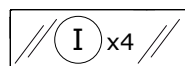
PI7216
1000x476x16 mm



SH3416
543x402x16 mm



SP0486
167x400x16 mm

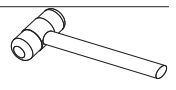
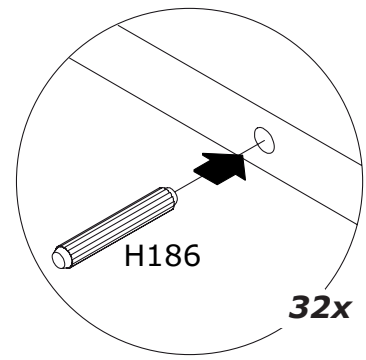
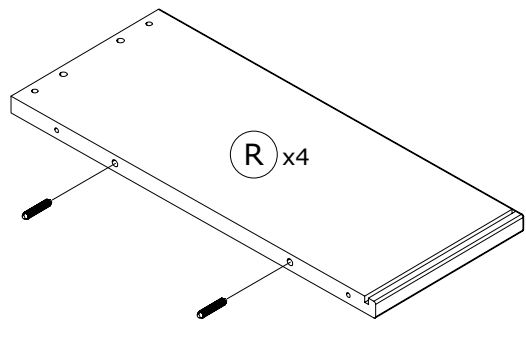
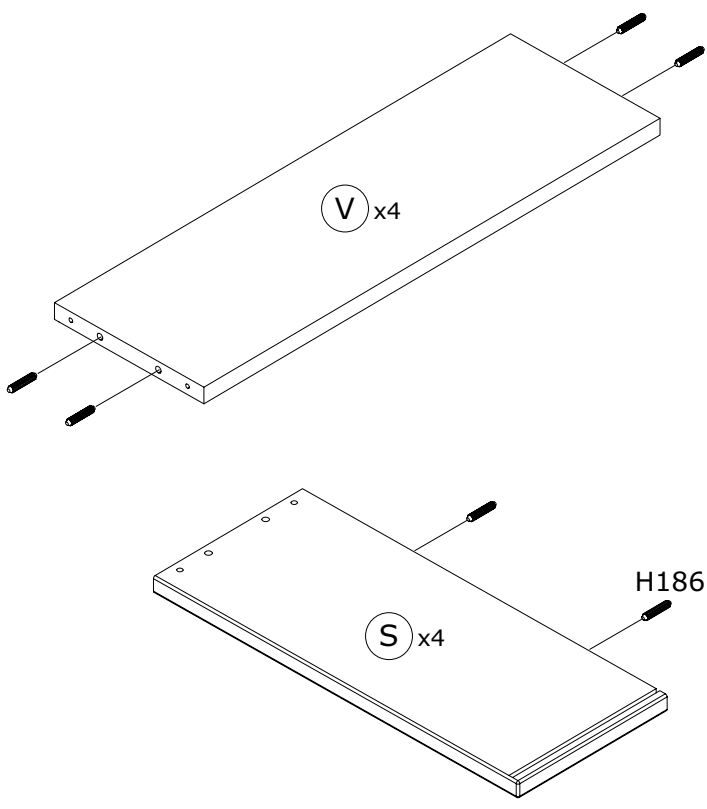


VT0172
522x170x4 mm

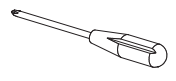
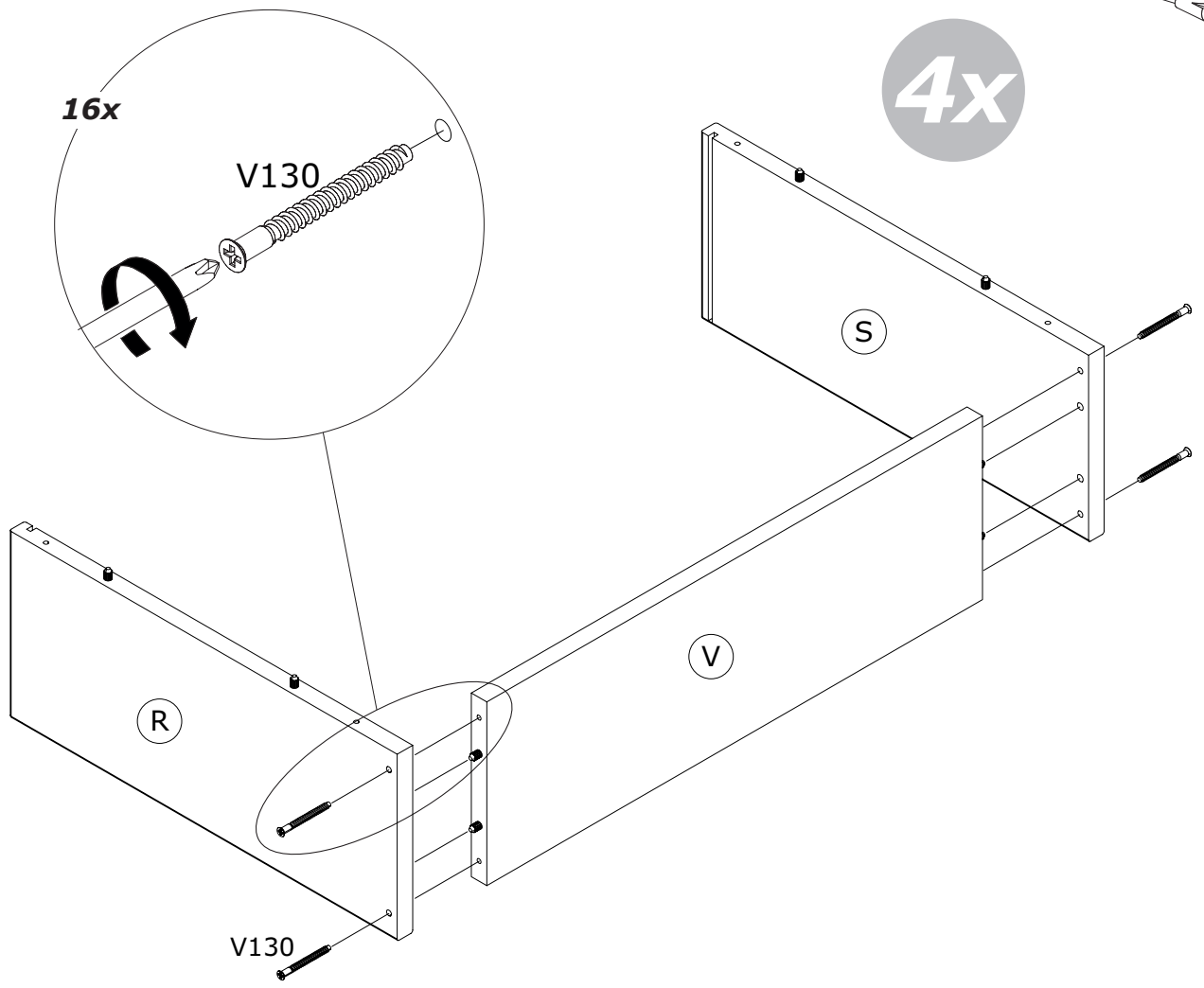


FS4128
1000x60x16 mm

1

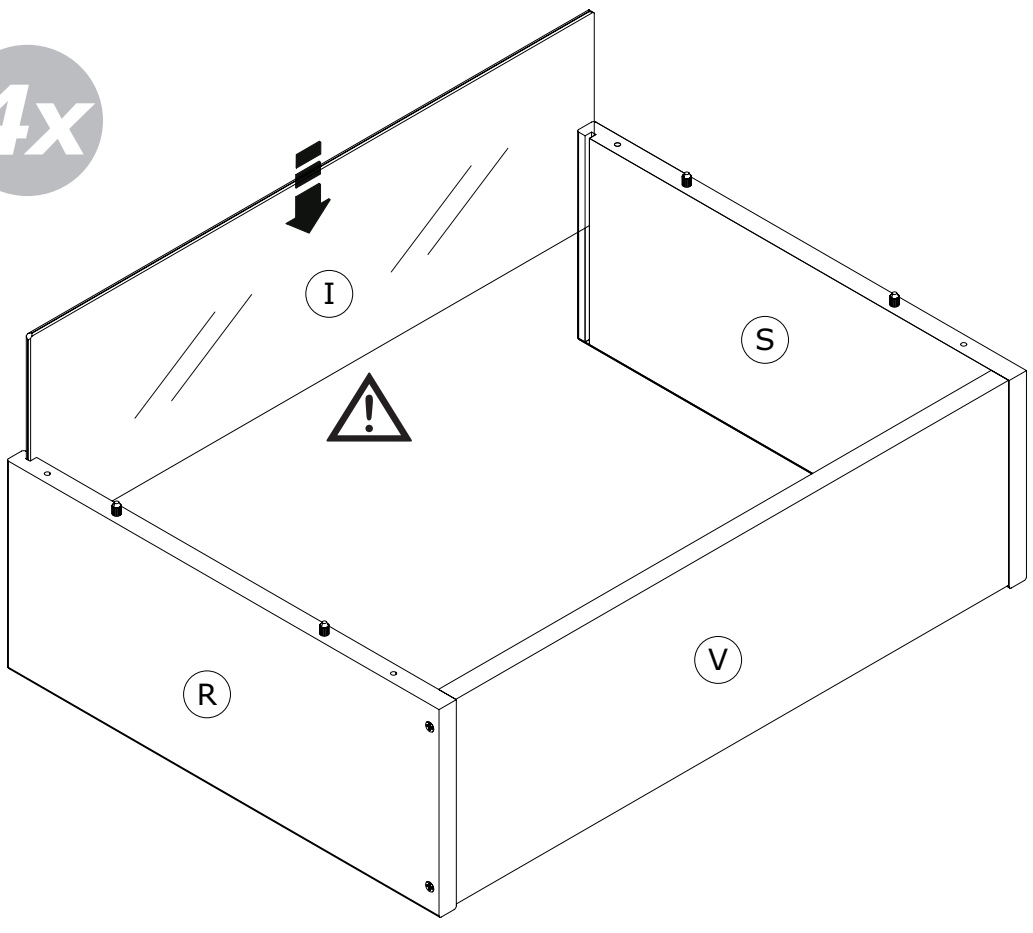


2



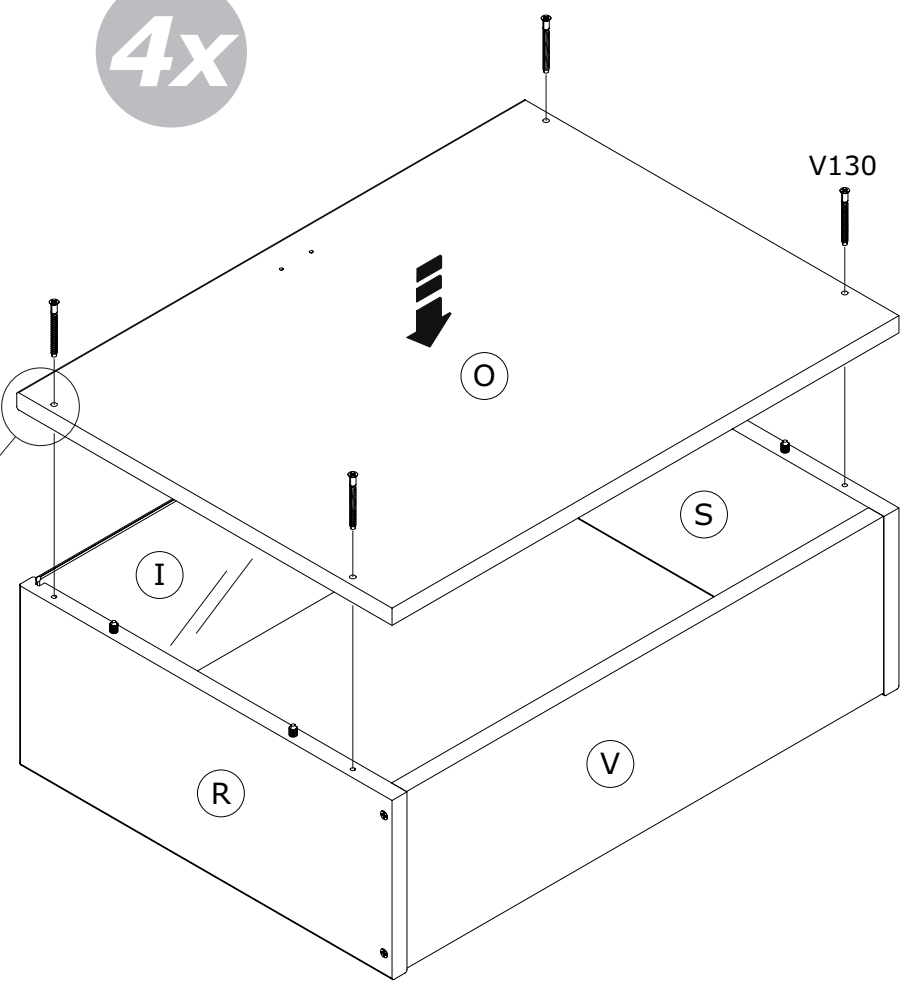
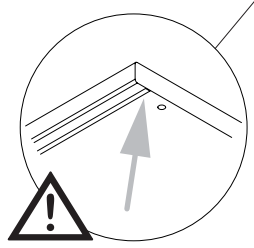
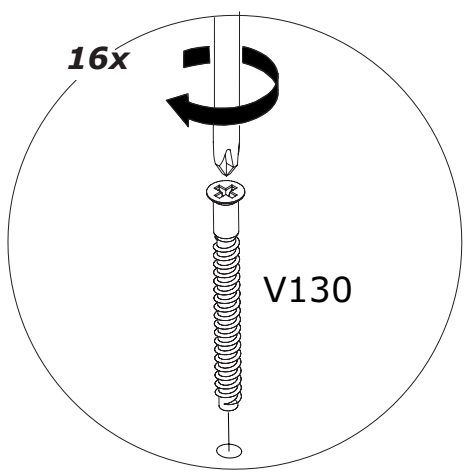
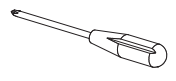
3

4x

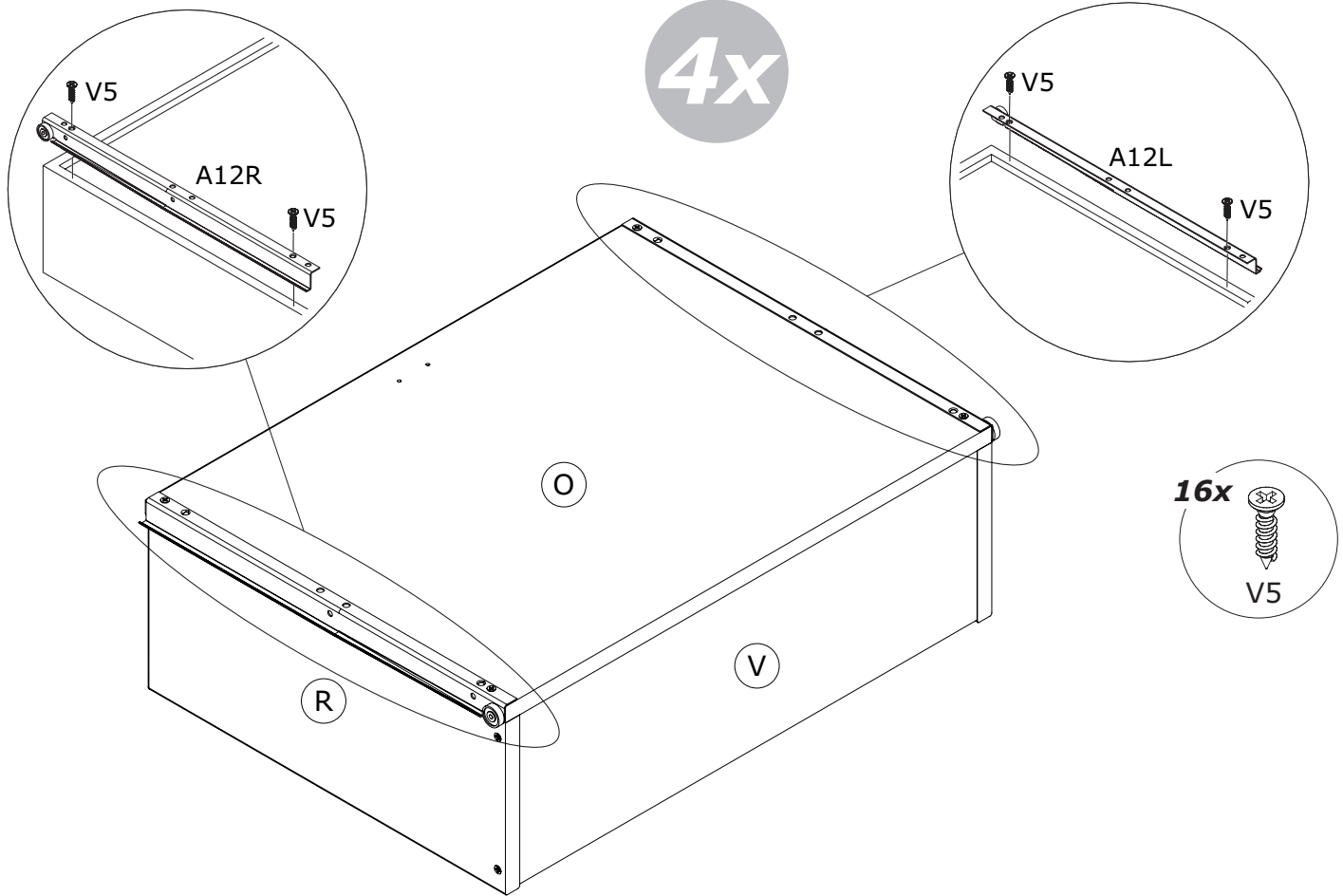
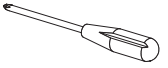


4

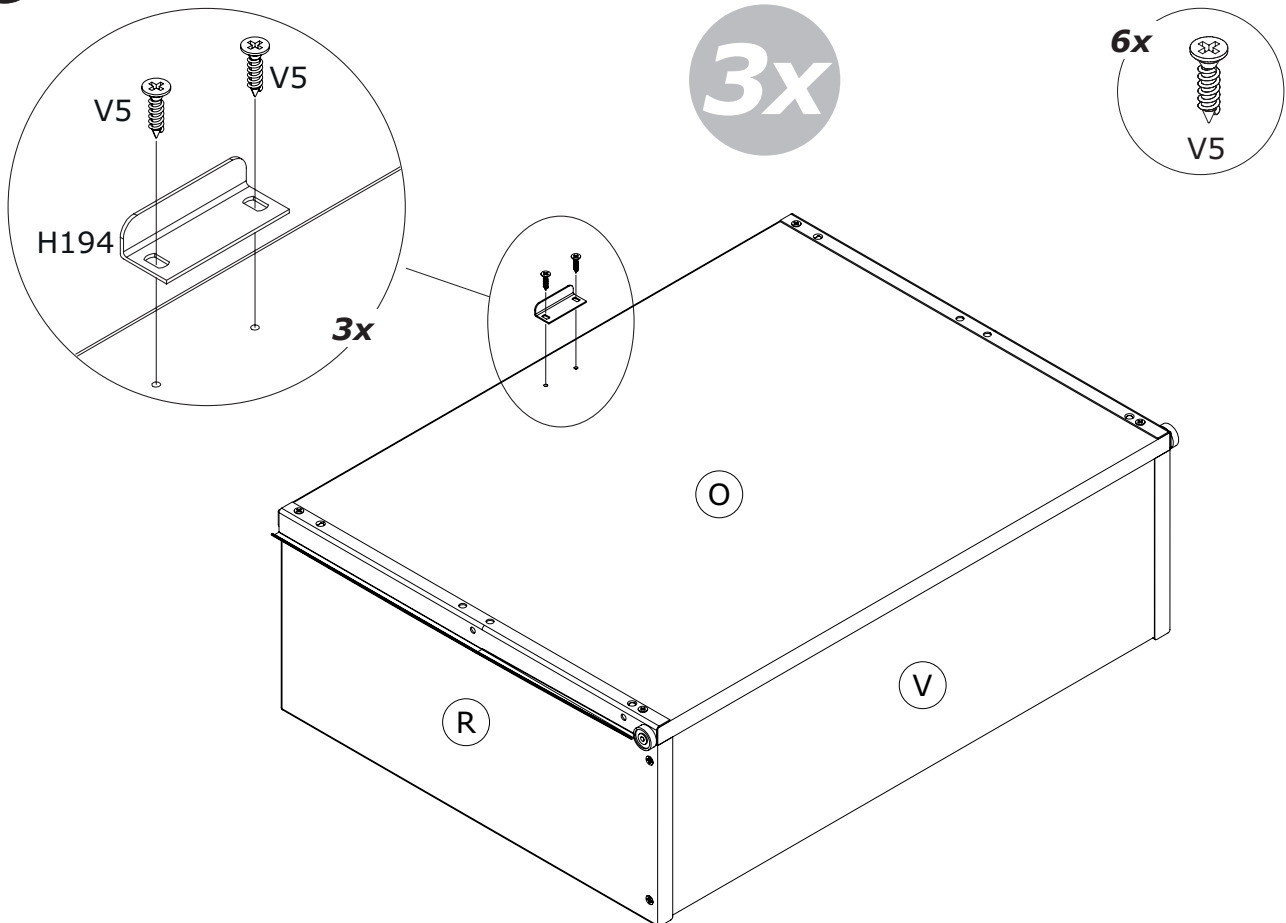
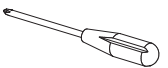
4x



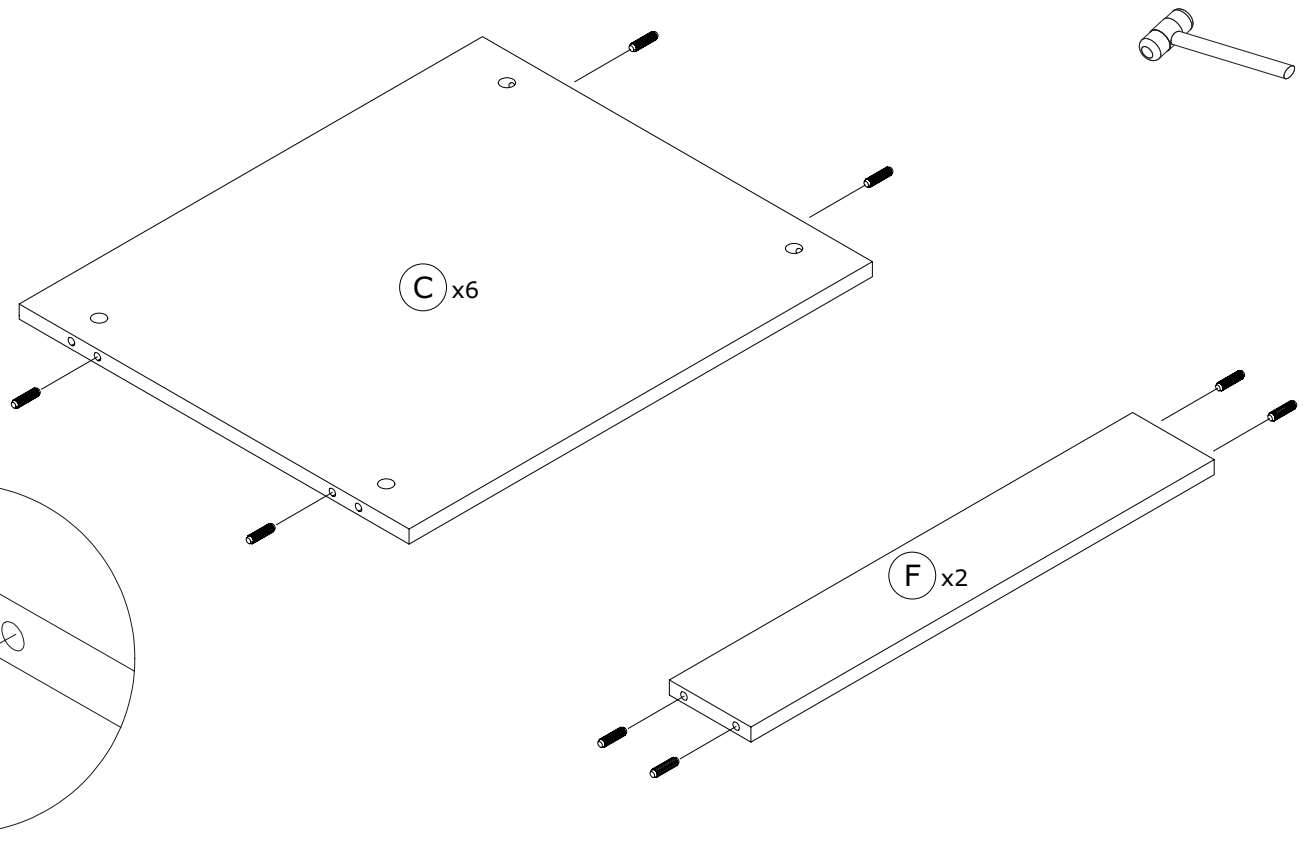
5



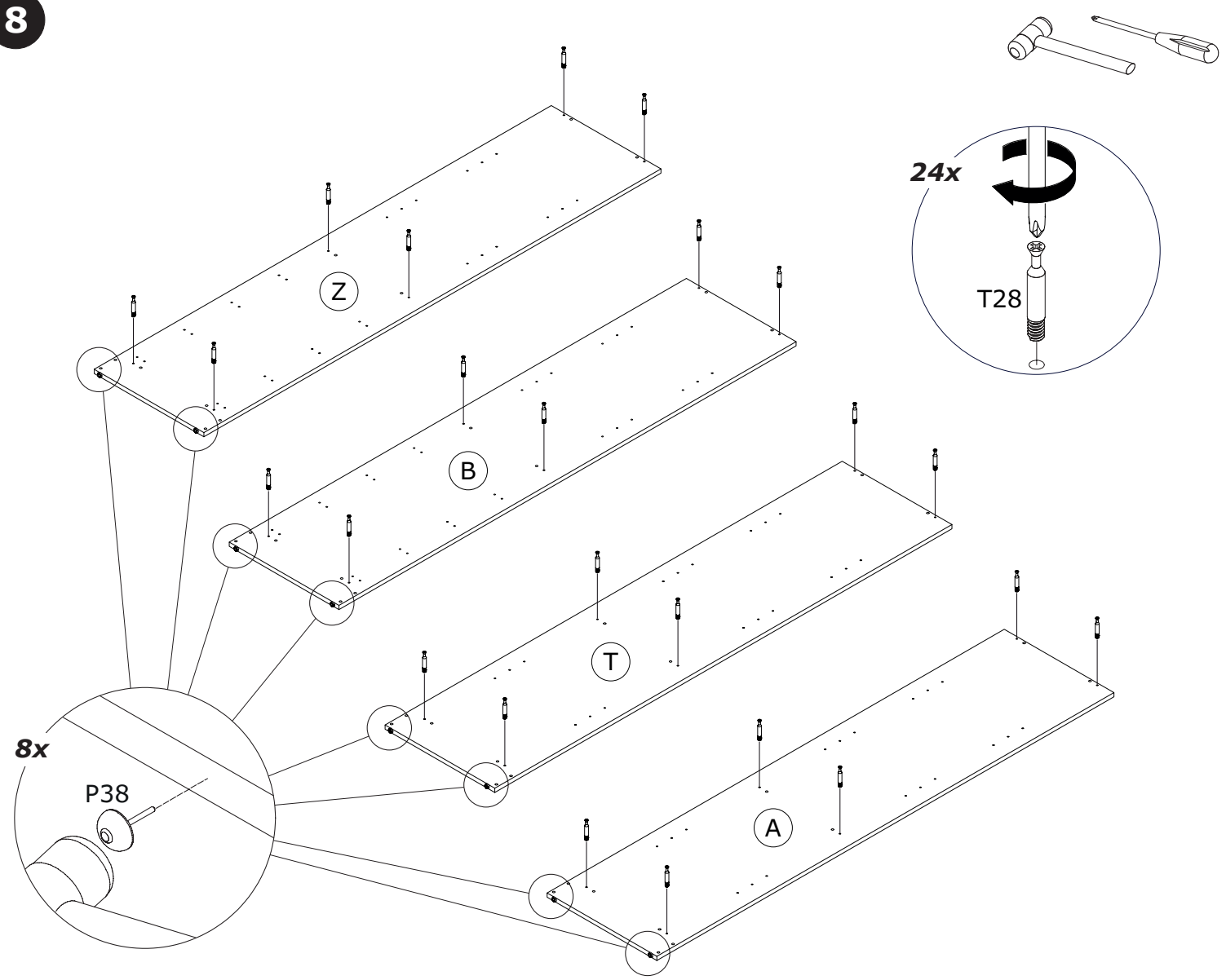
6



7

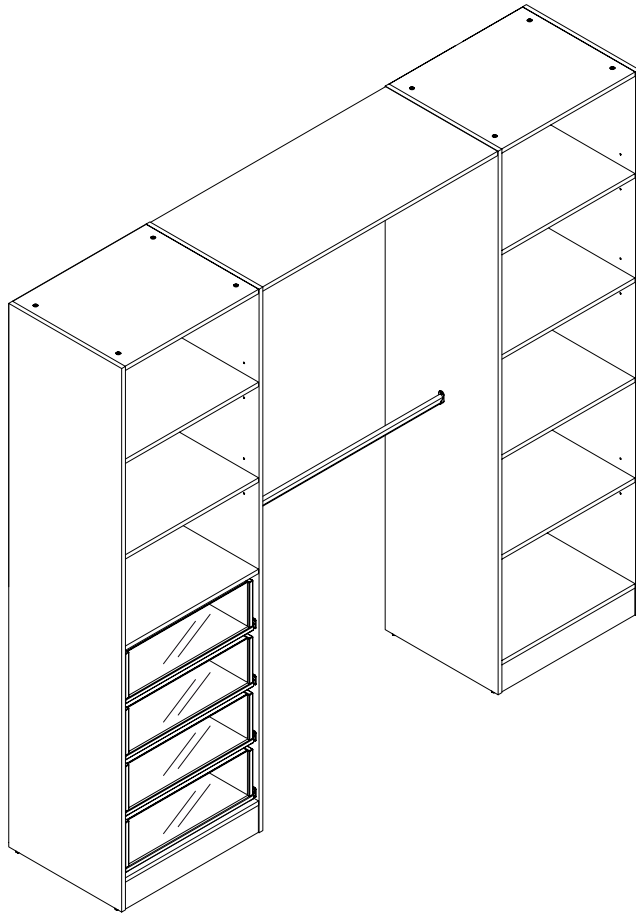


8



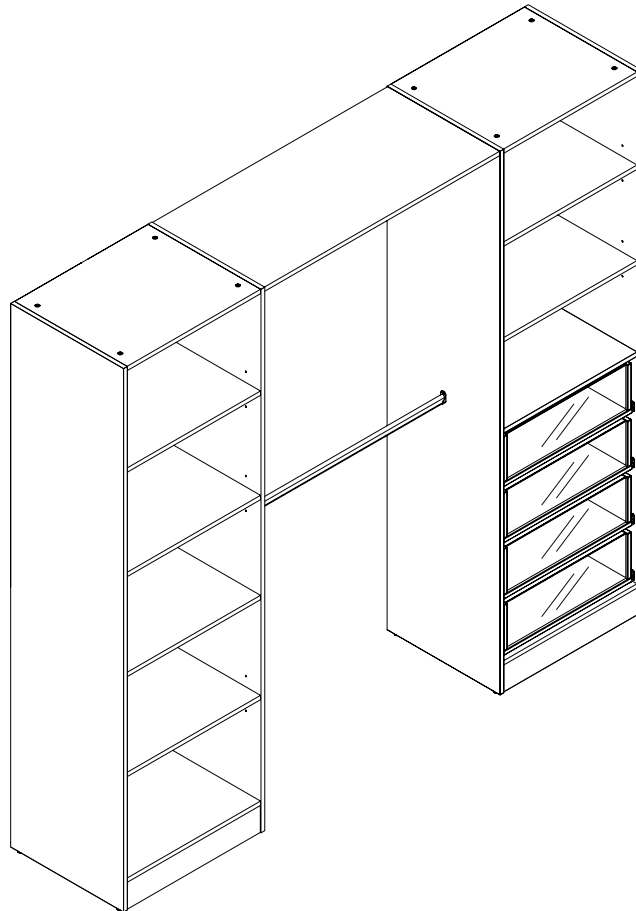
A

9-26

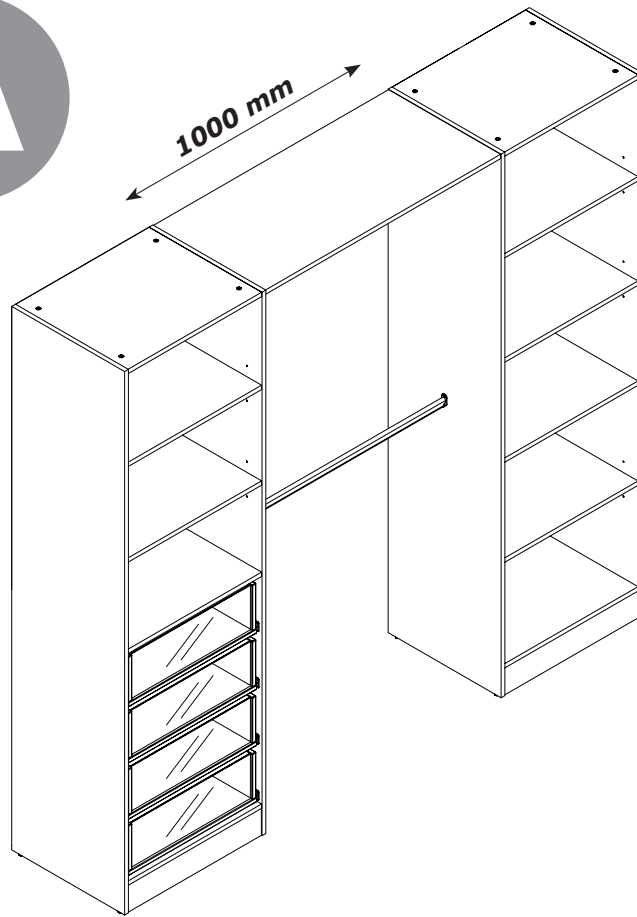


B

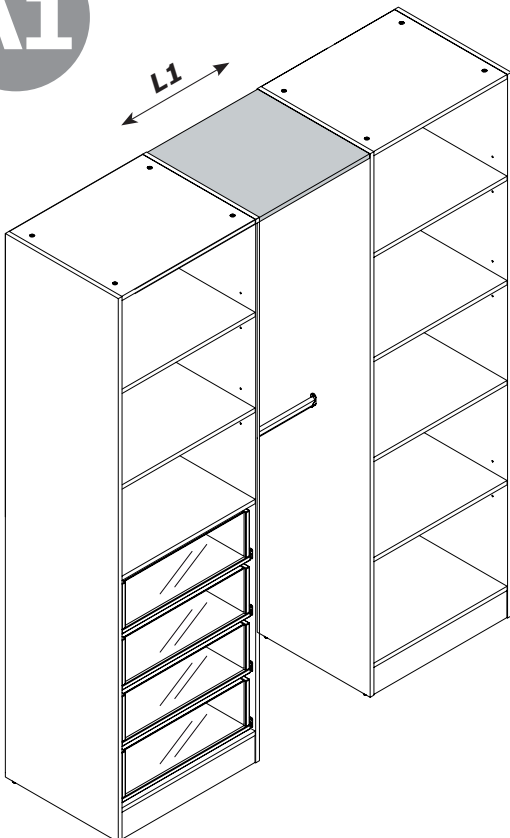
27-41



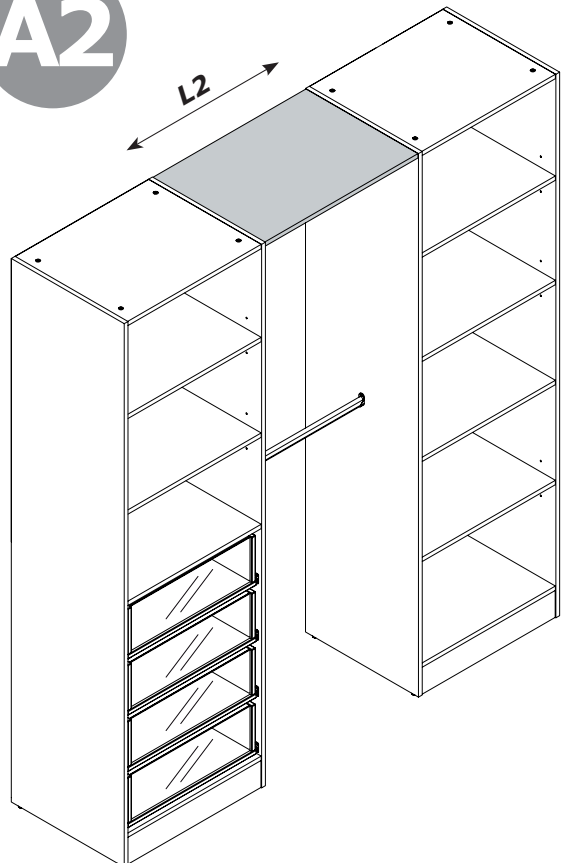
A



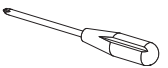
A1



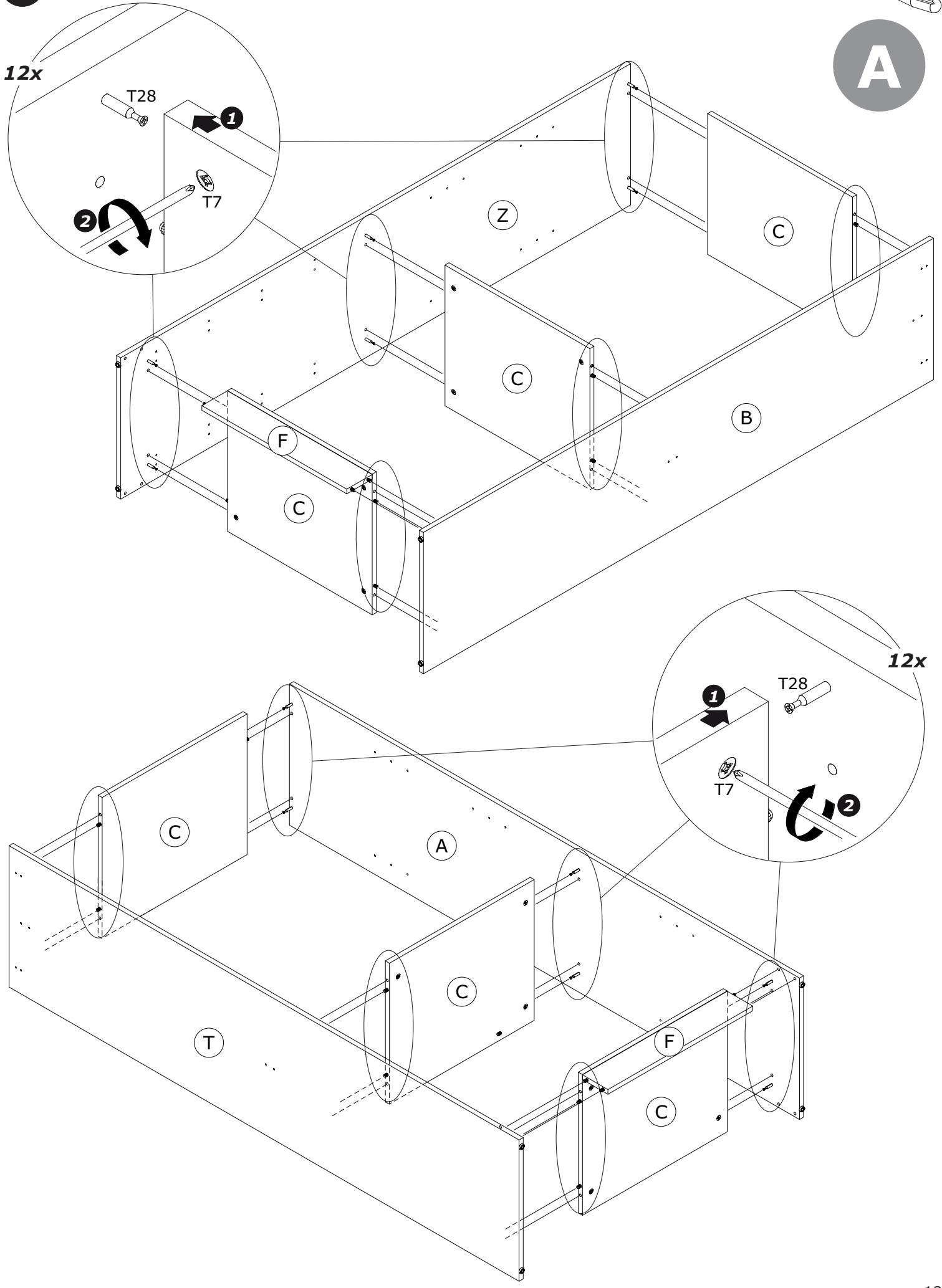
A2



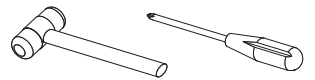
9



A



10



A

70x

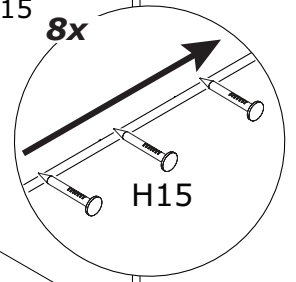
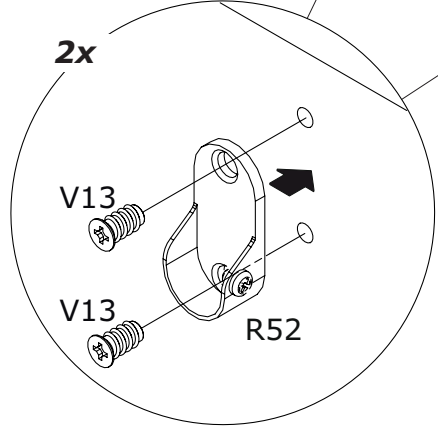
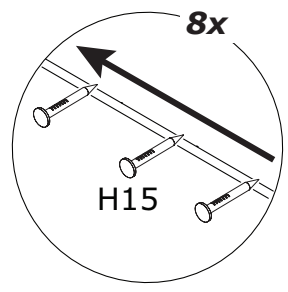
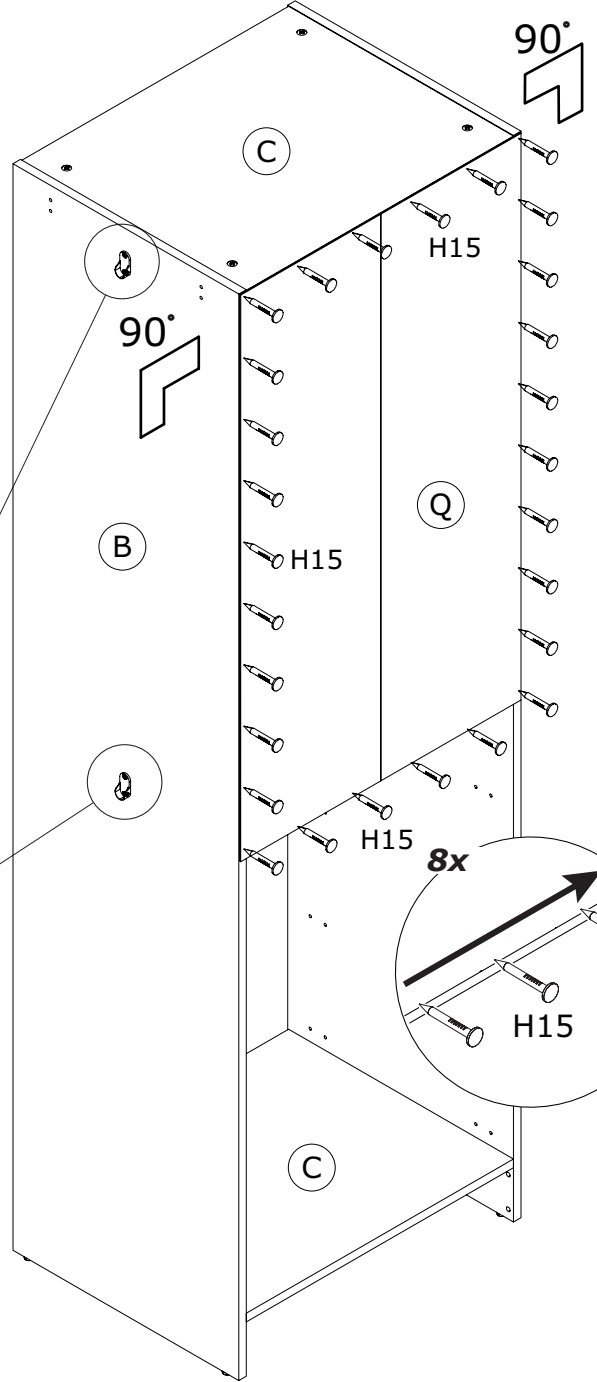
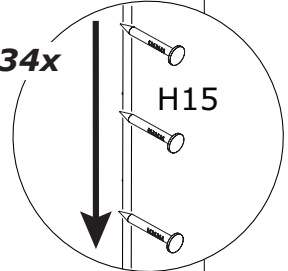
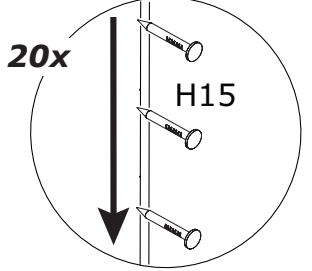
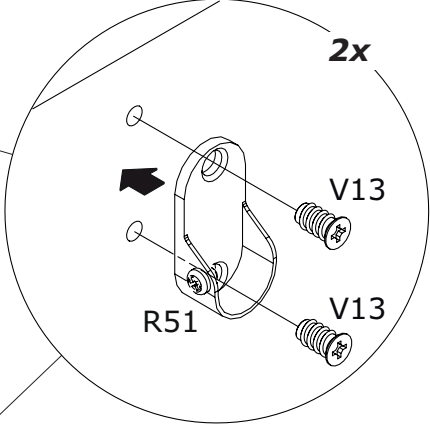
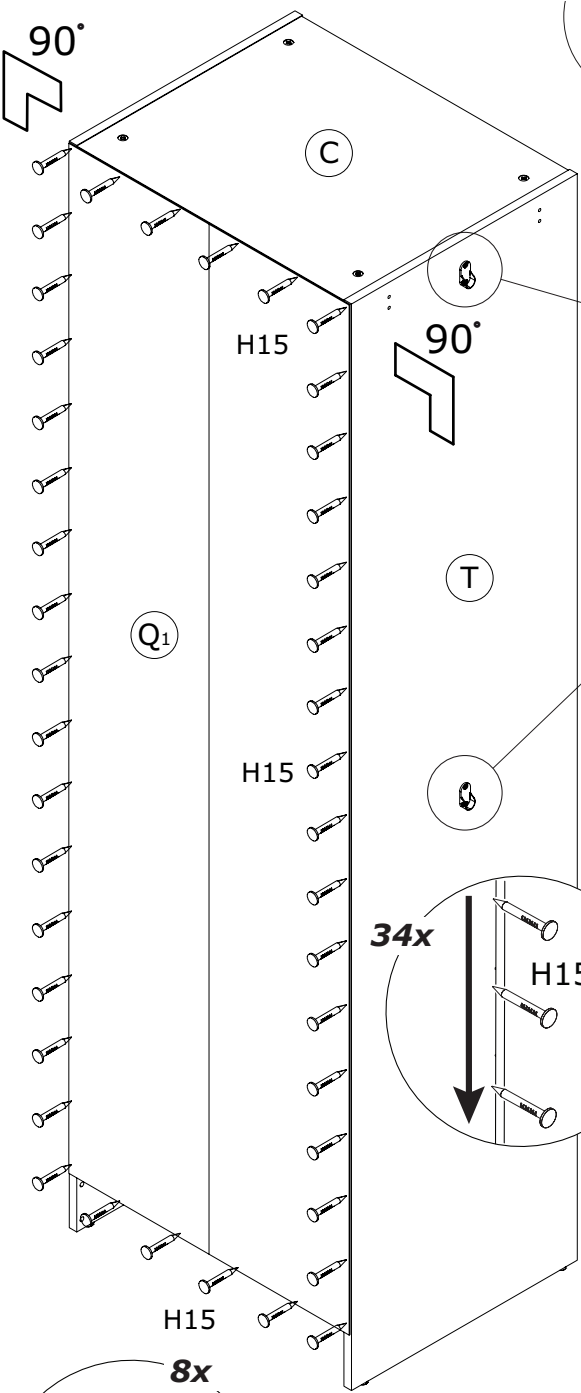


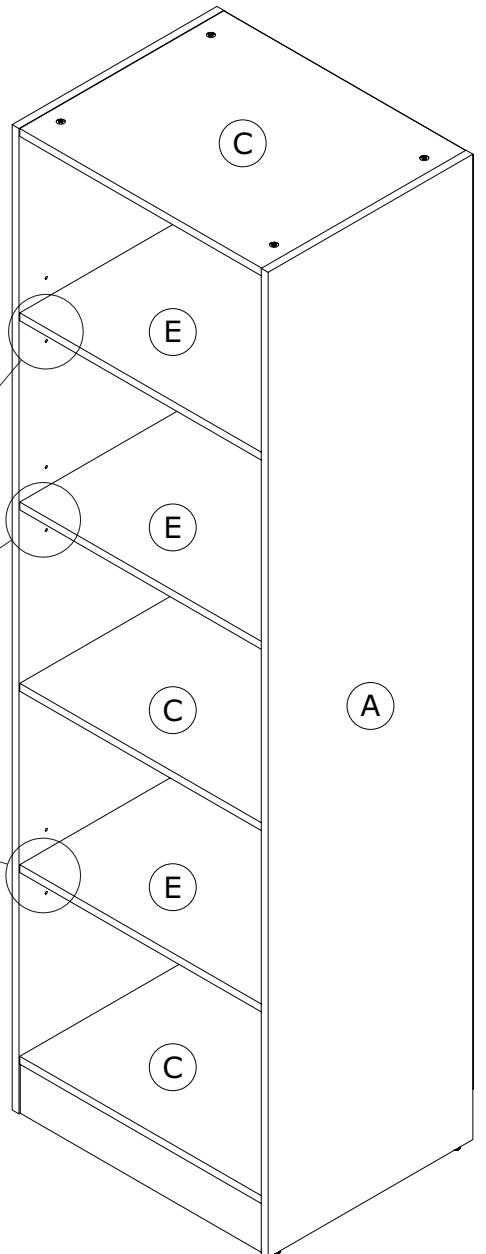
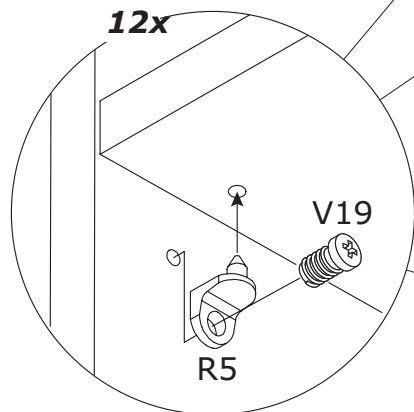
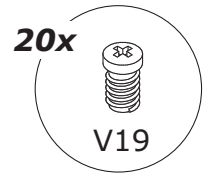
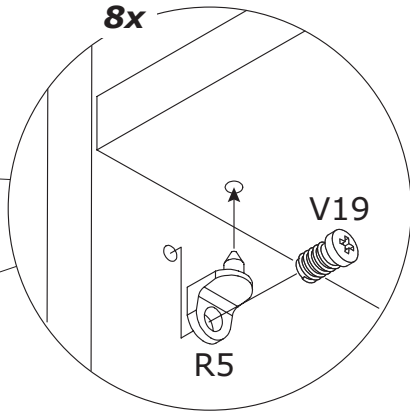
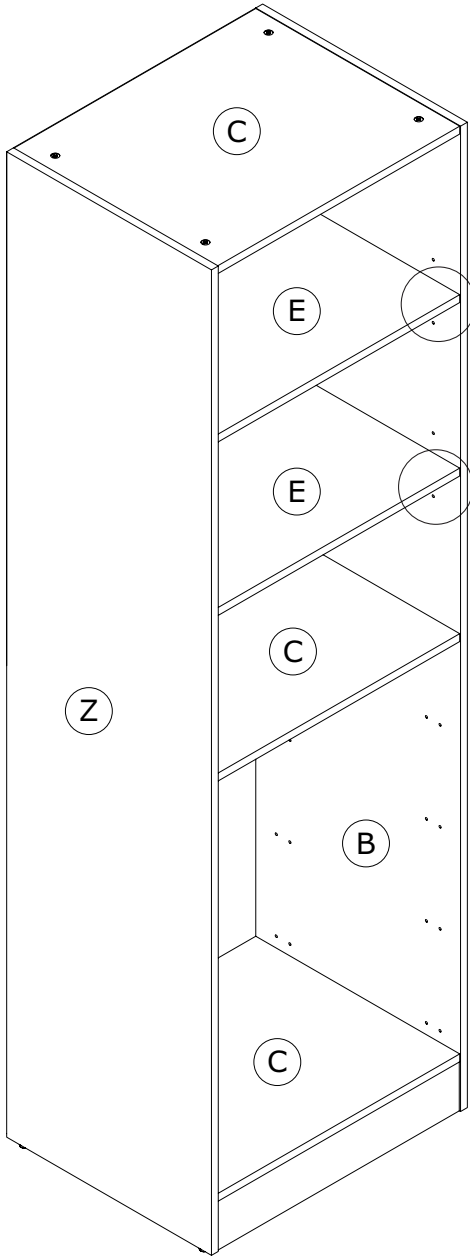
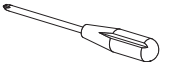
H15

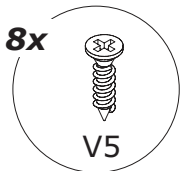
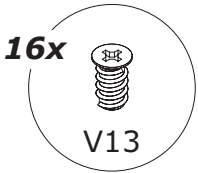
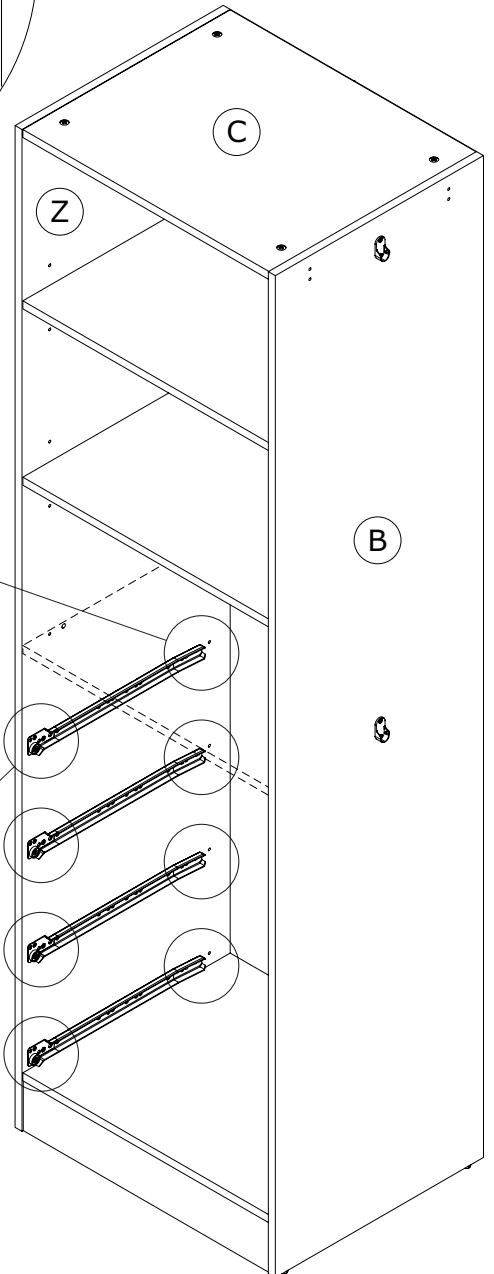
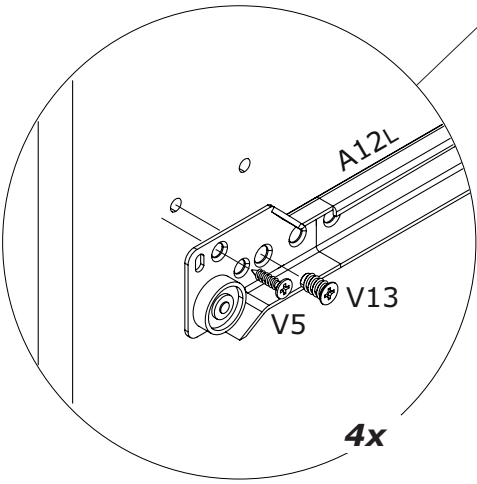
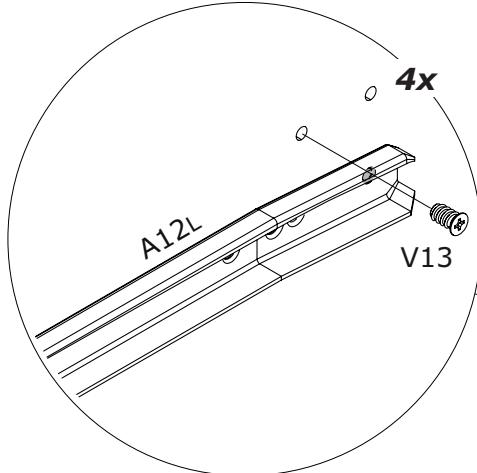
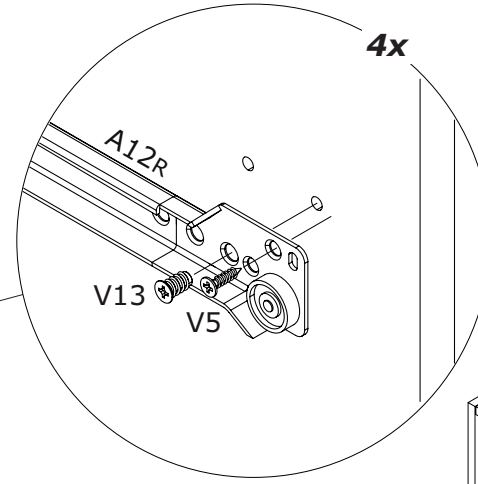
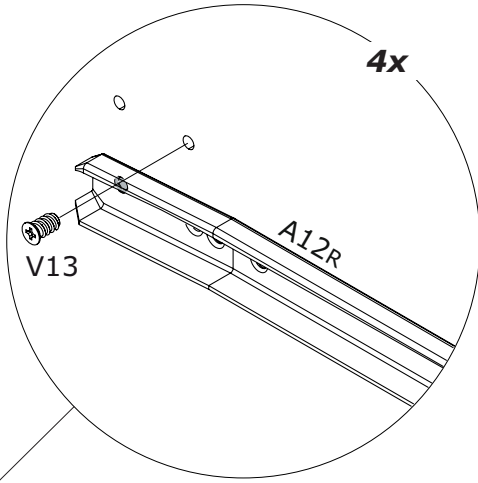
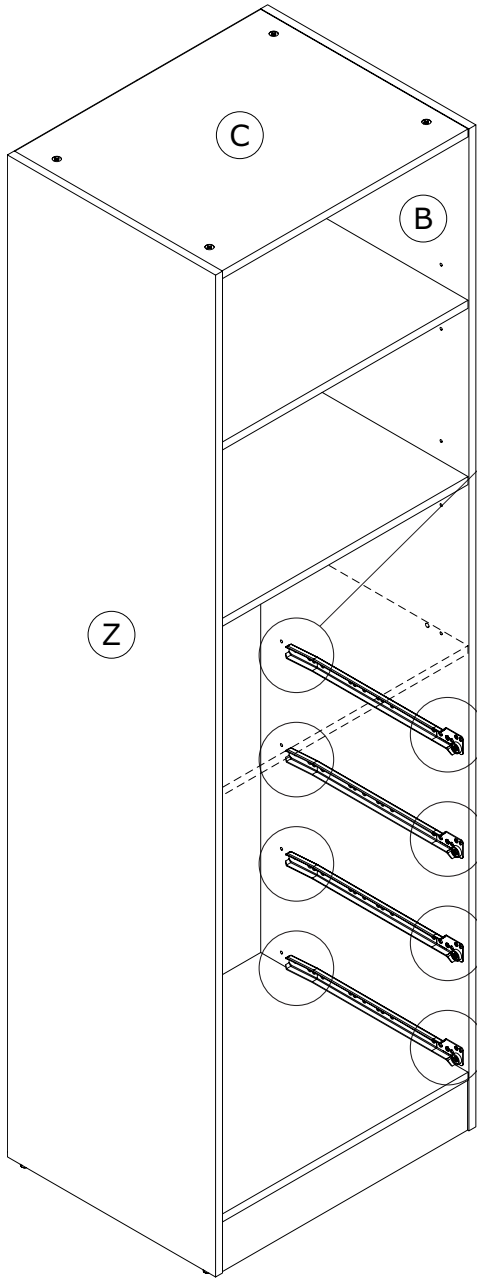
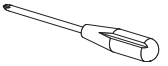
8x



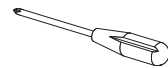
V13



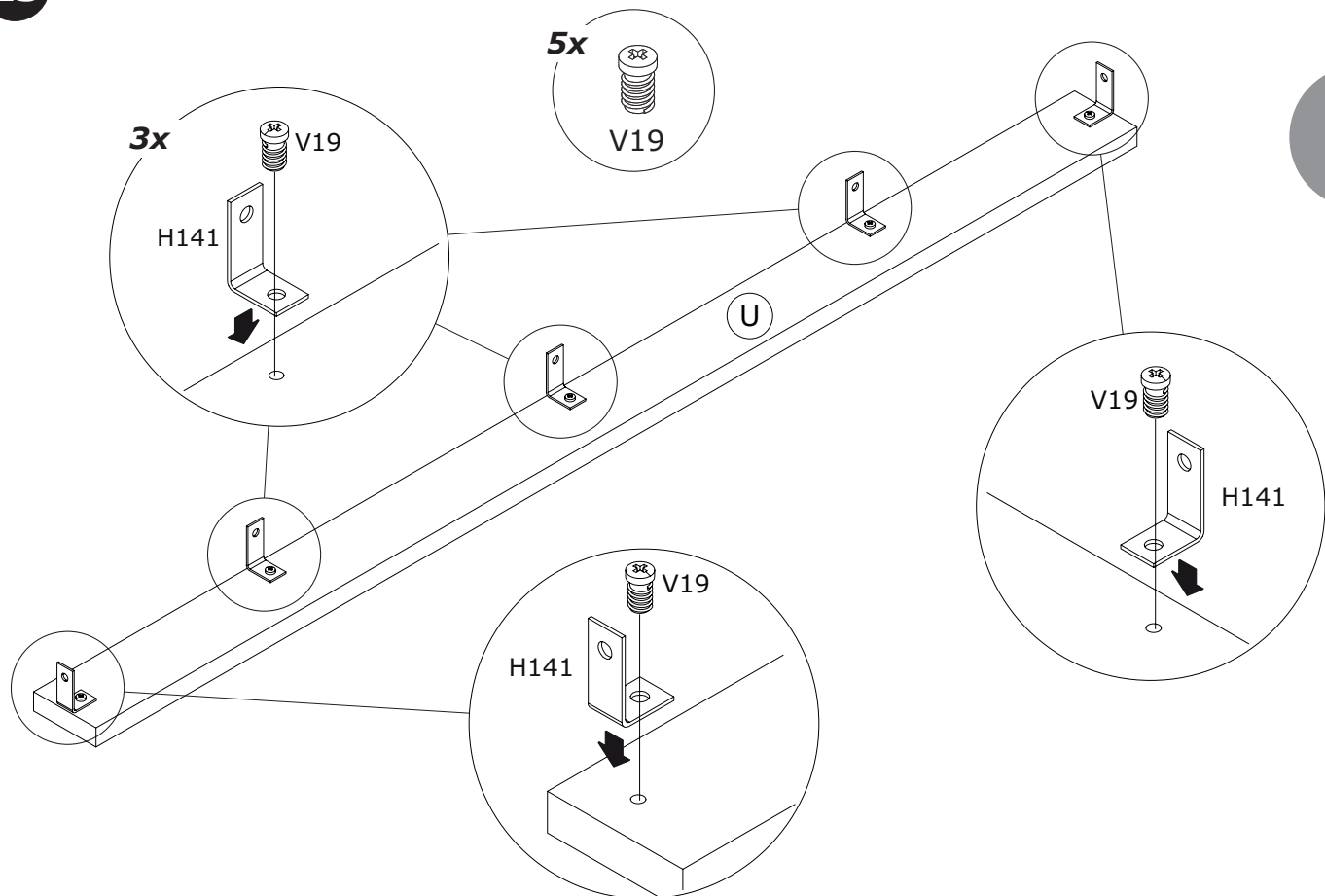




13

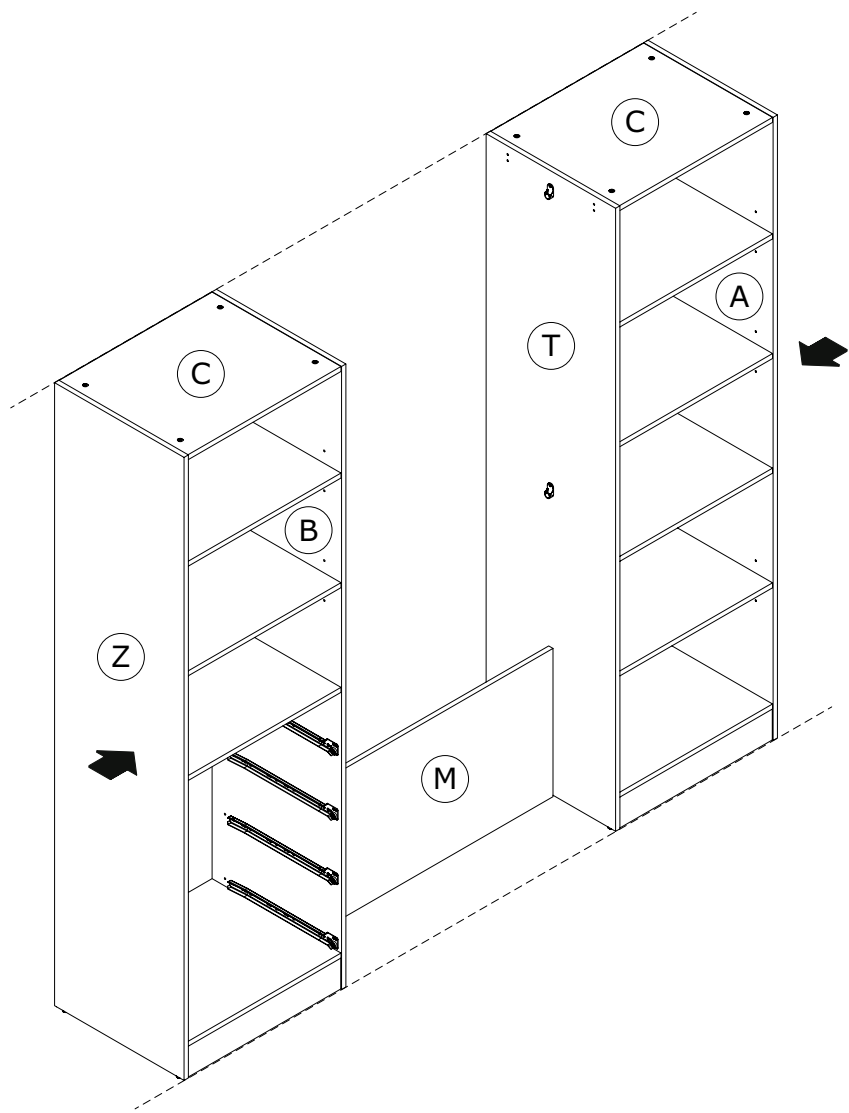


A

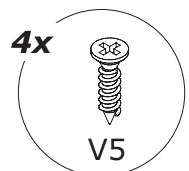
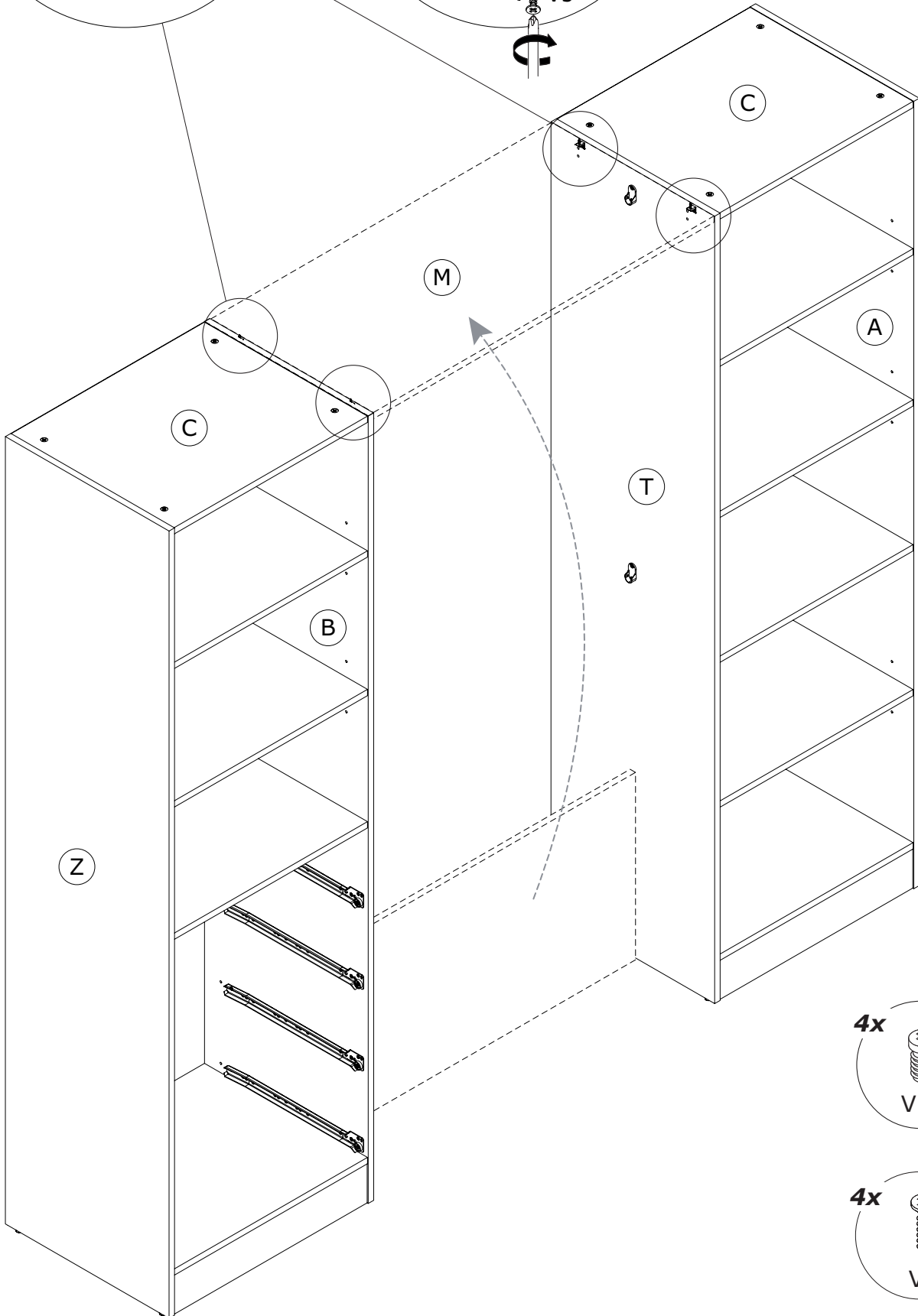
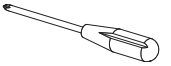
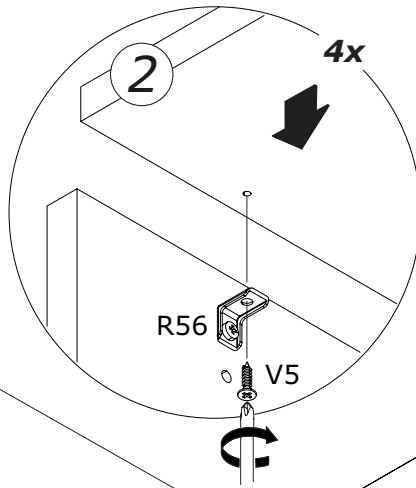
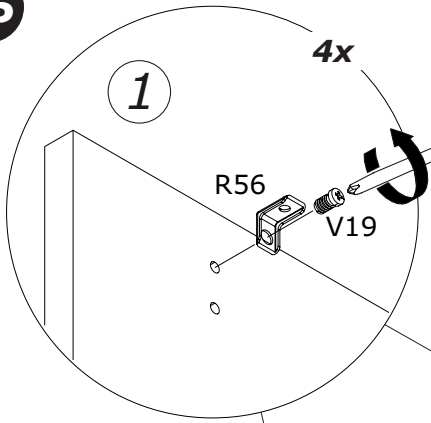


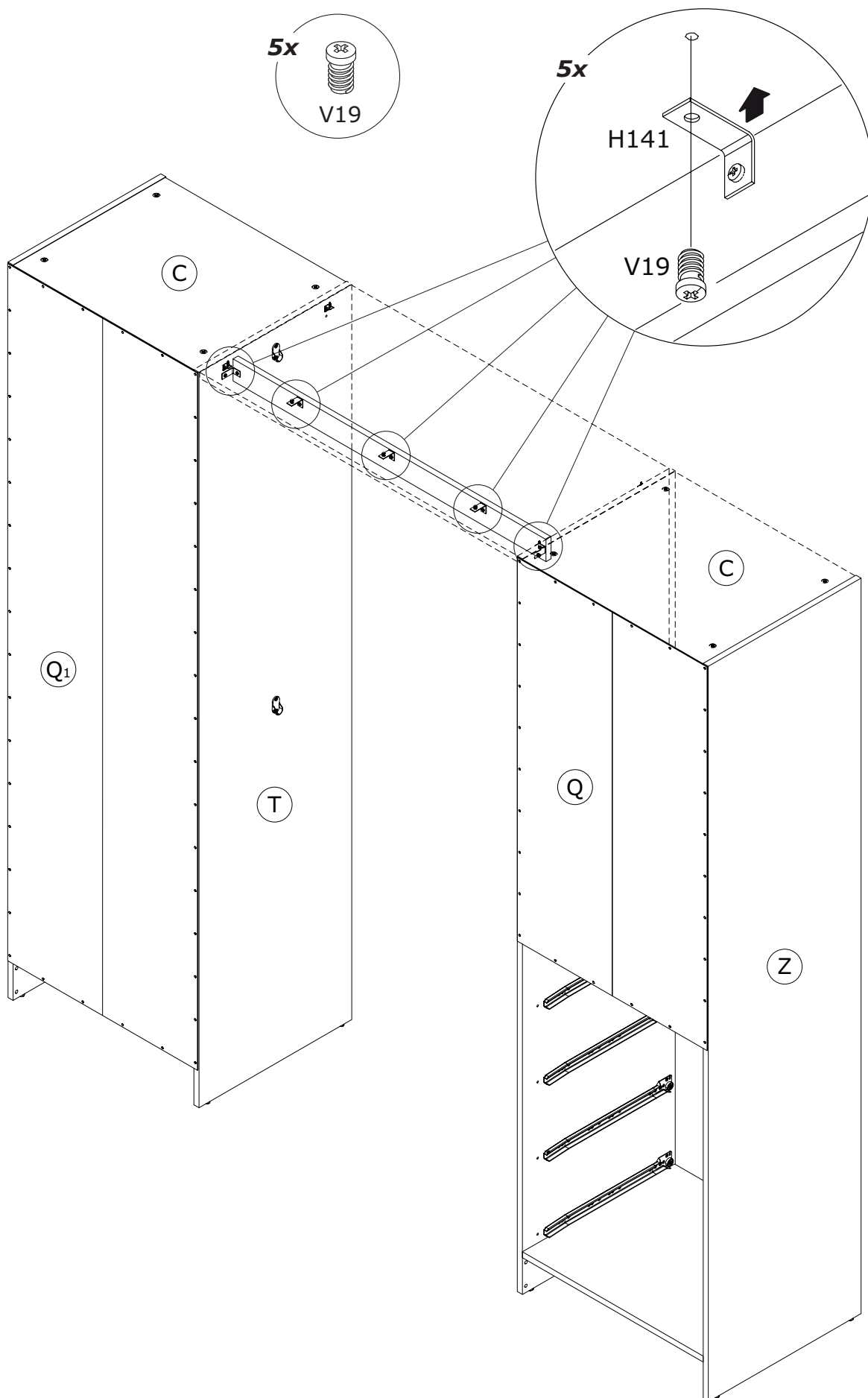
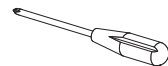
14

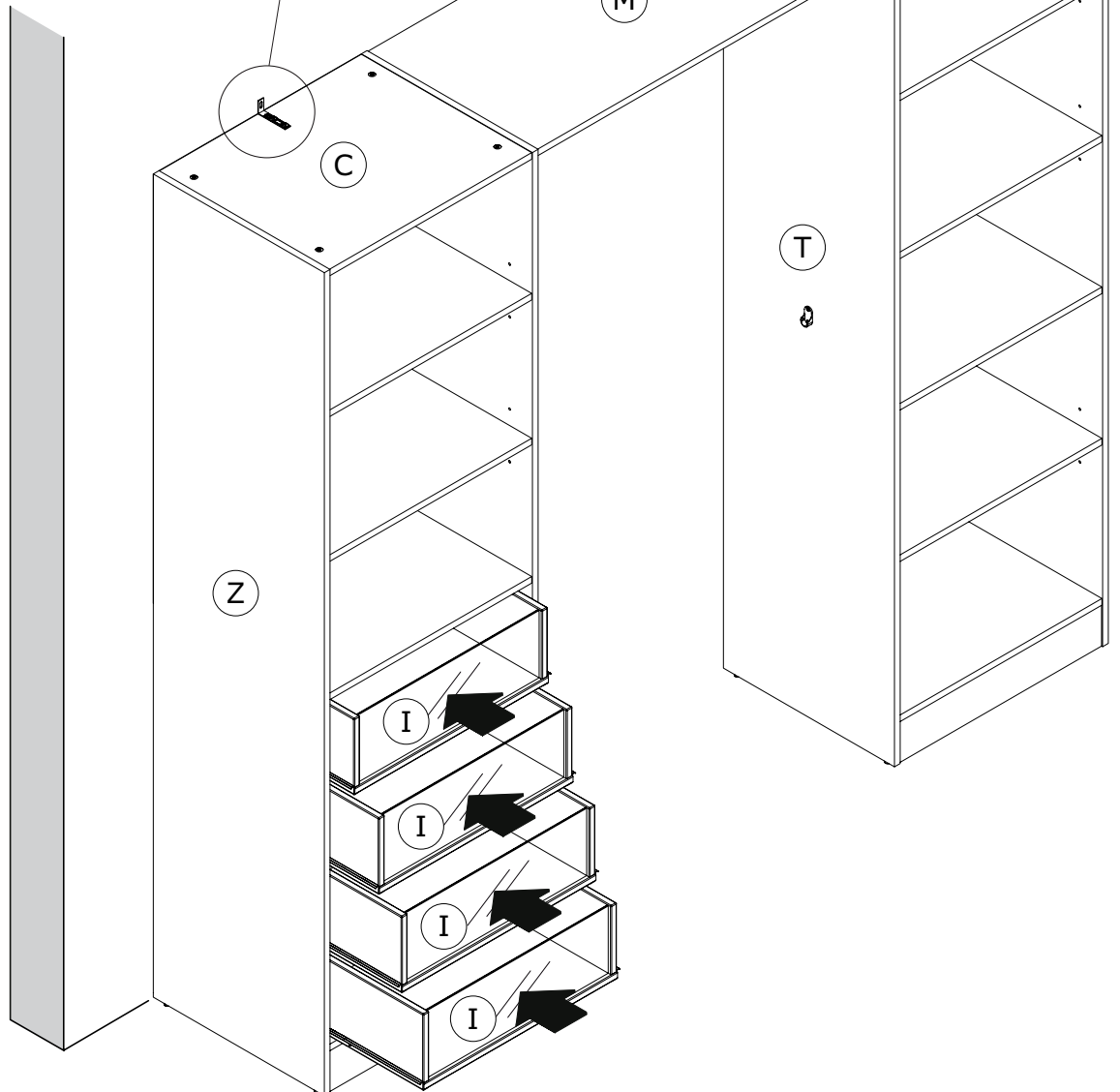
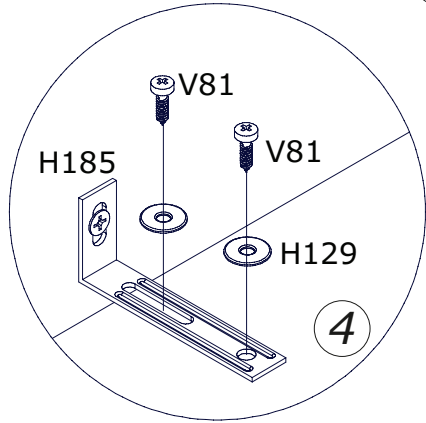
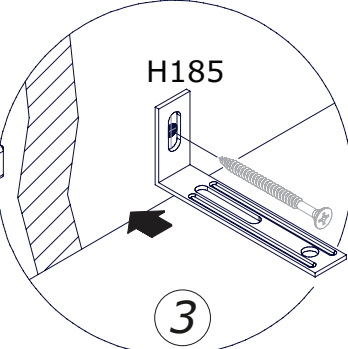
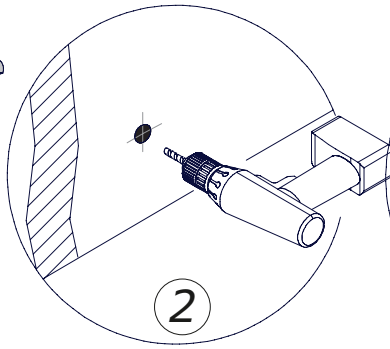
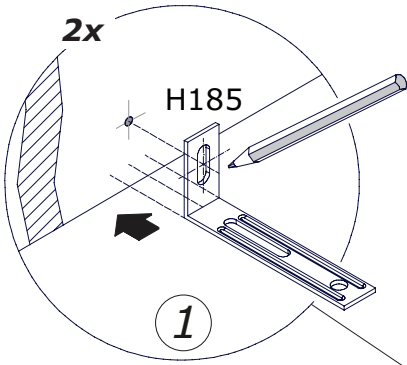
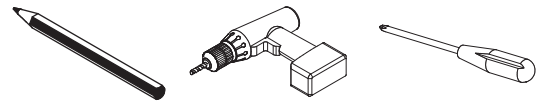
A

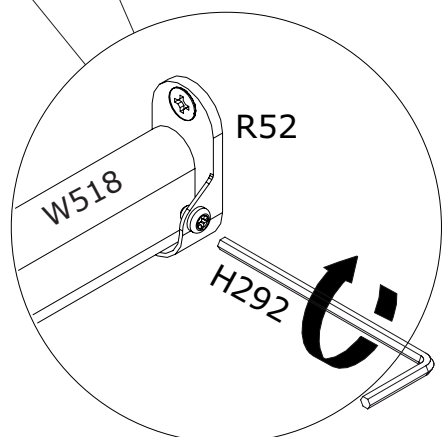
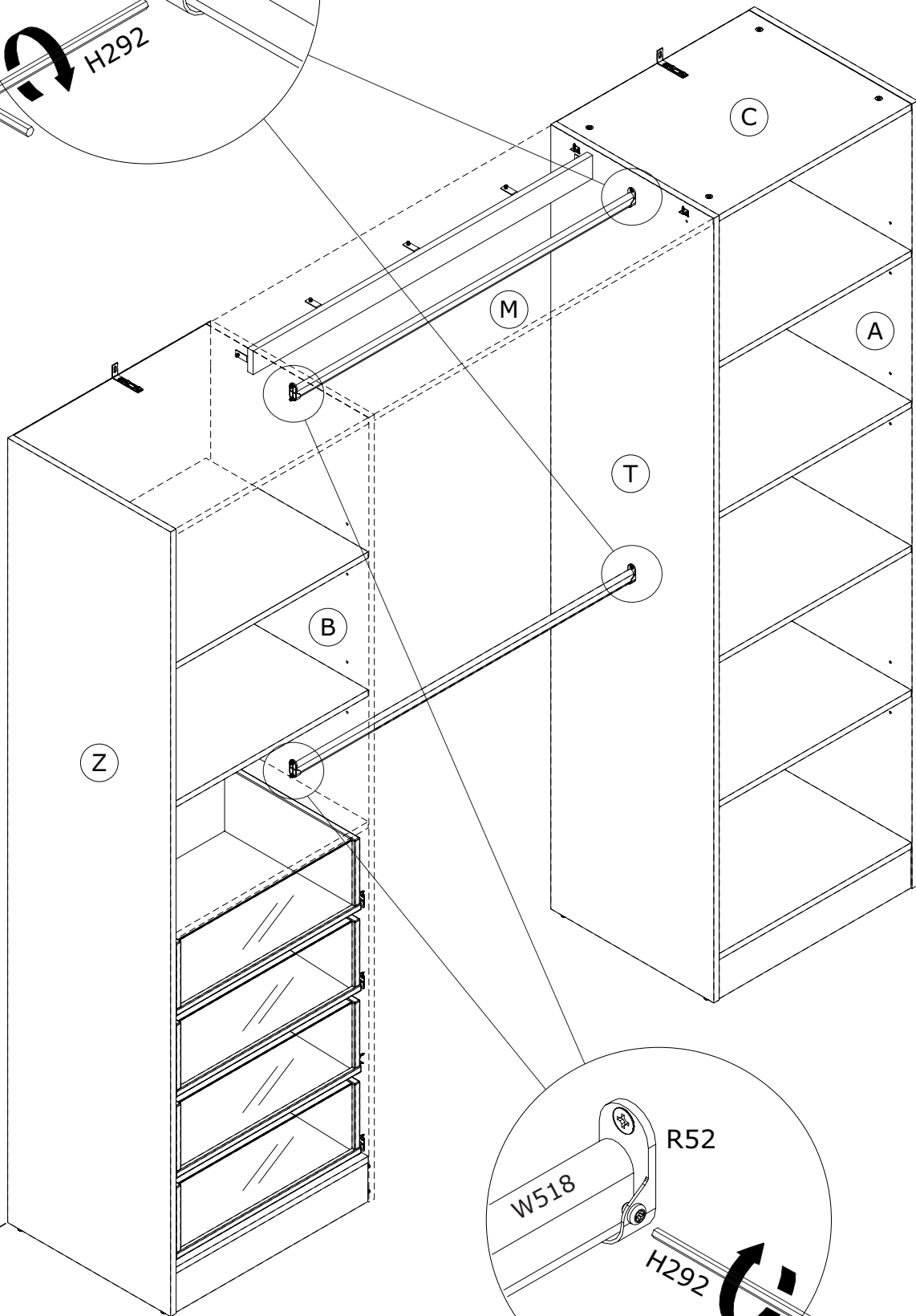
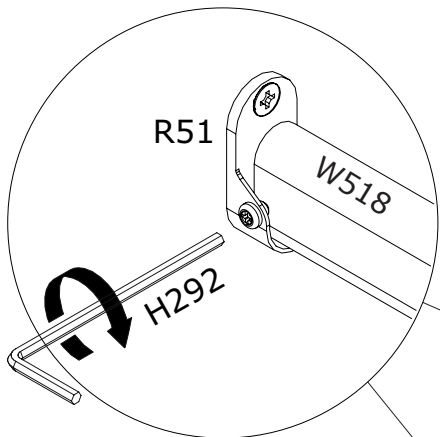


15

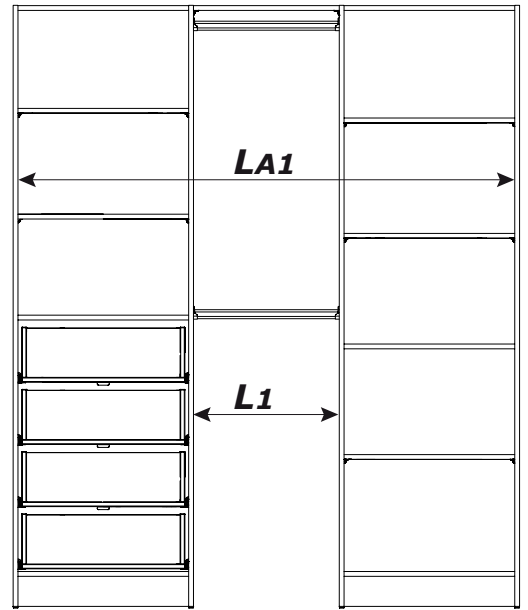
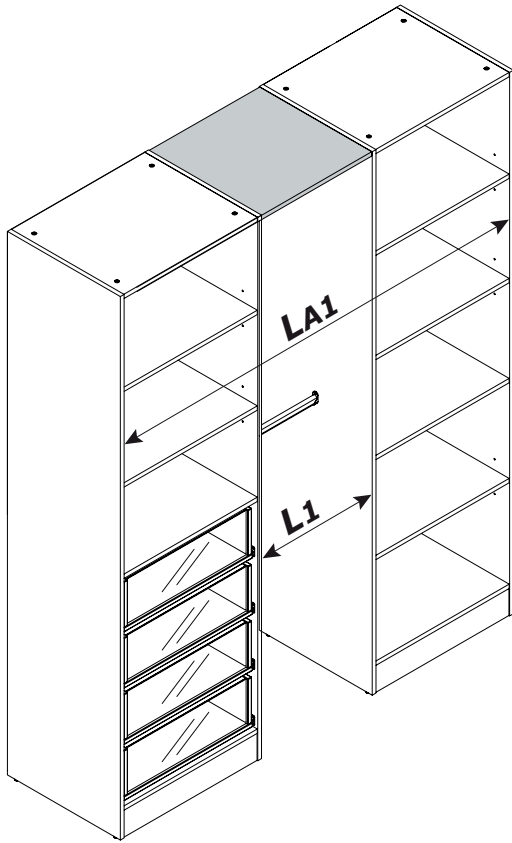




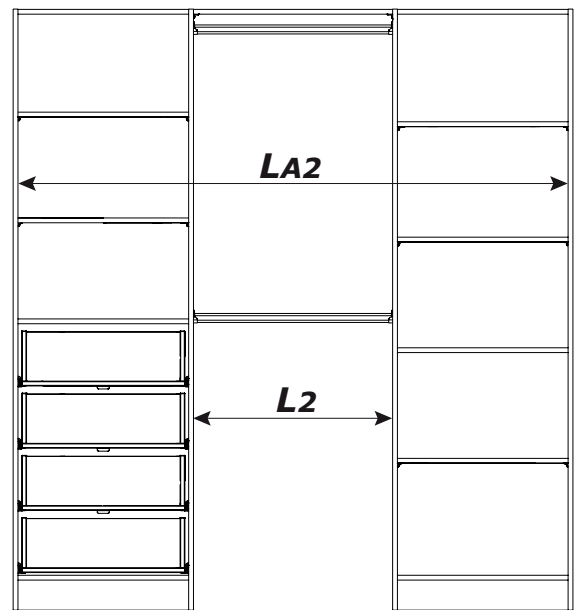
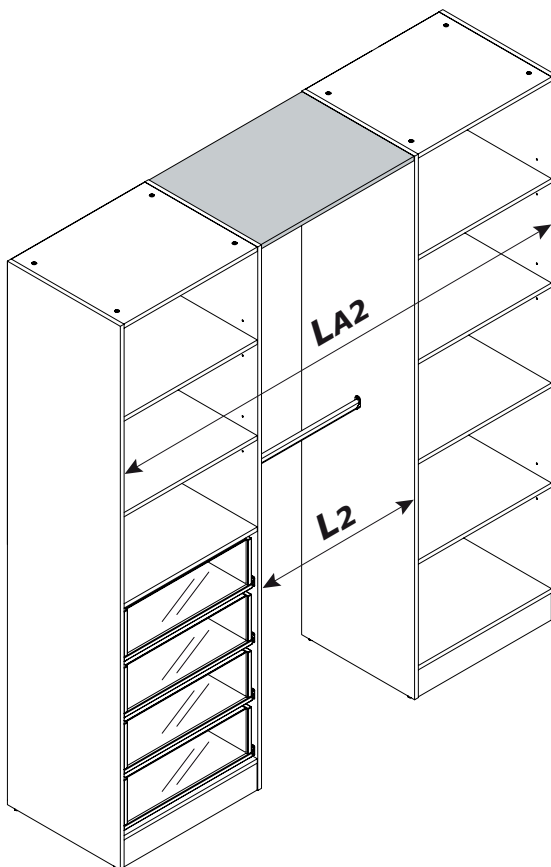




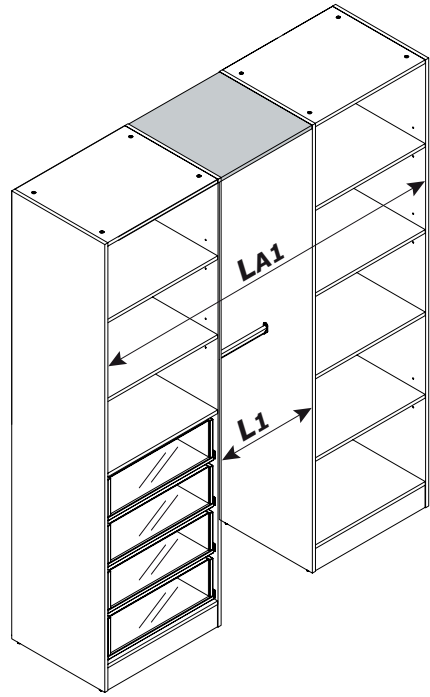
A1



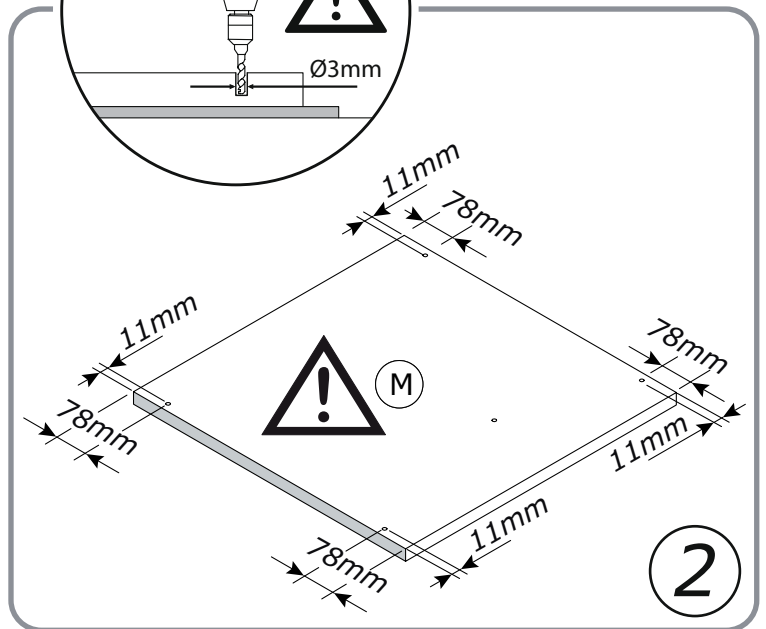
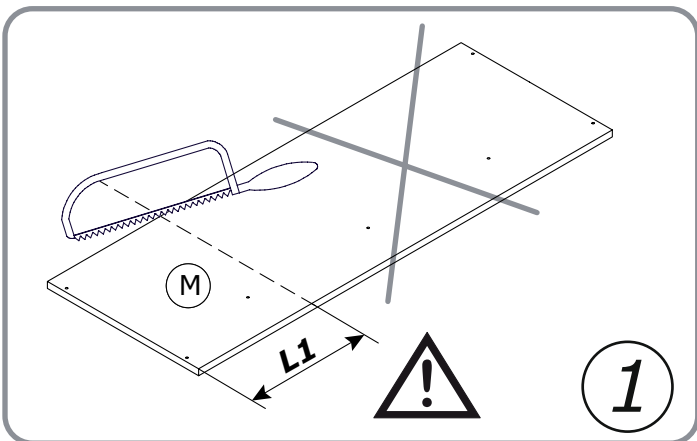
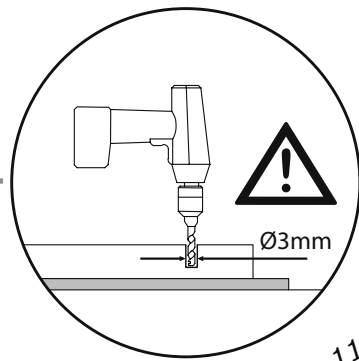
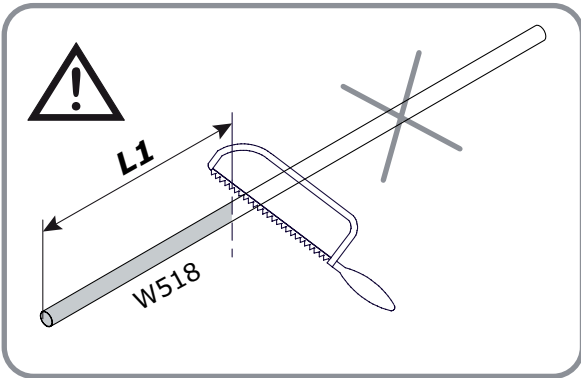
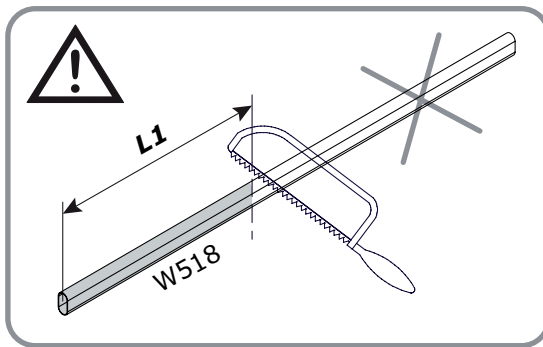
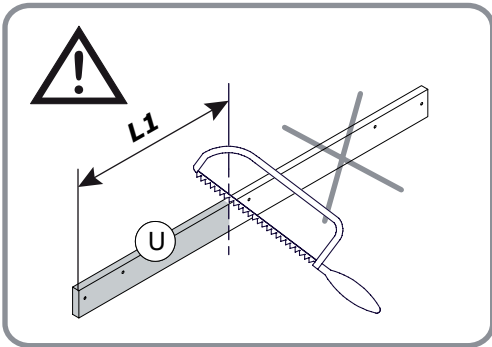
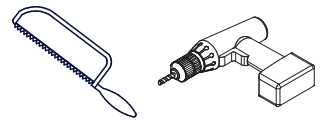
A2



A1

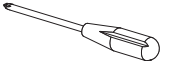


20

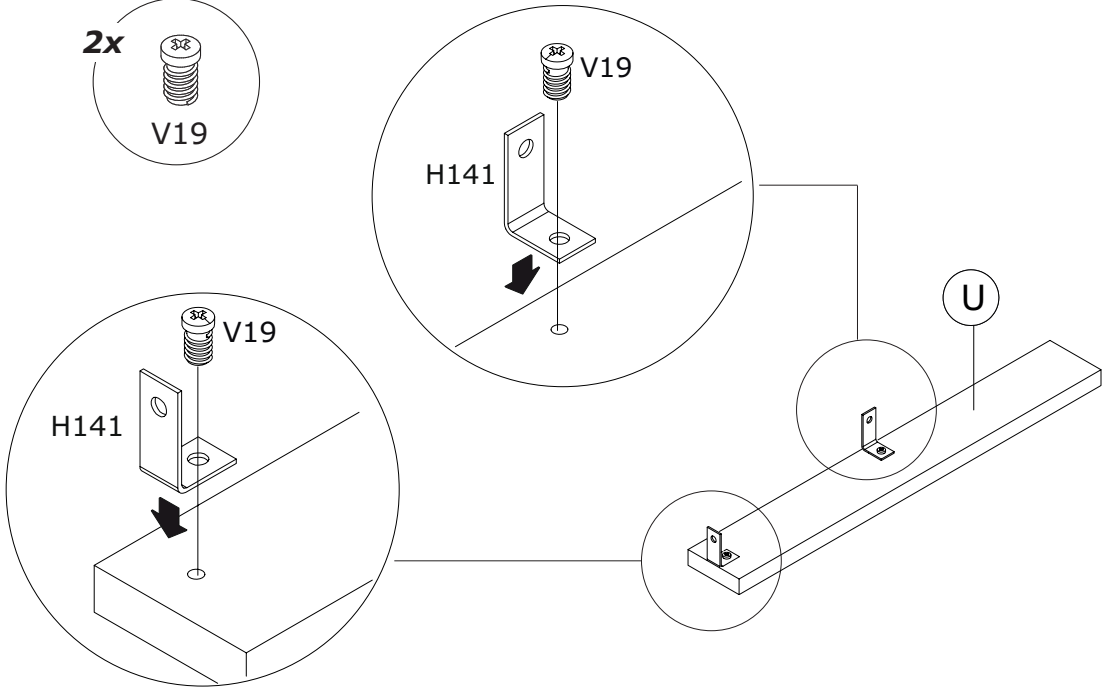


21

2x
V19

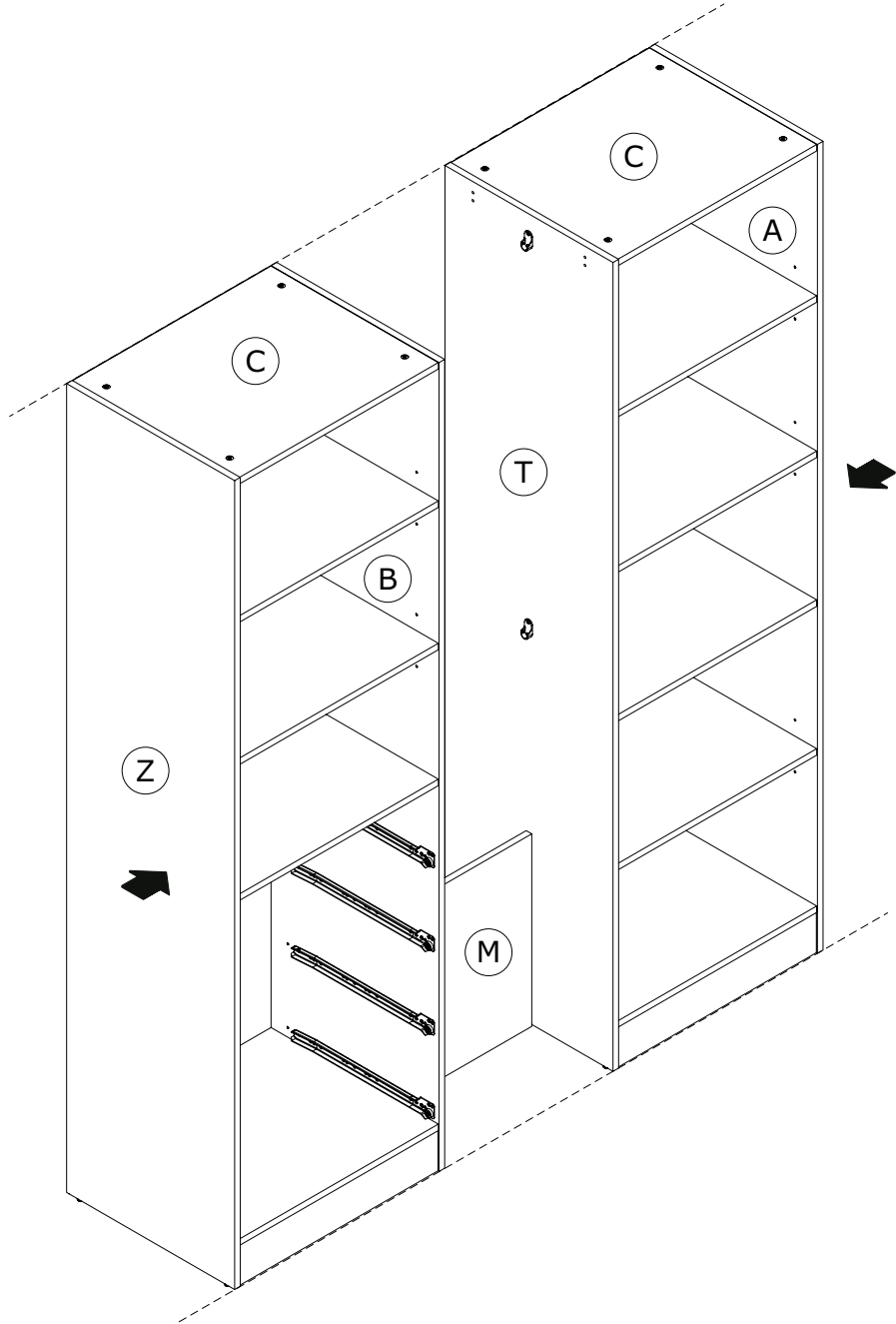


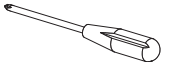
A1



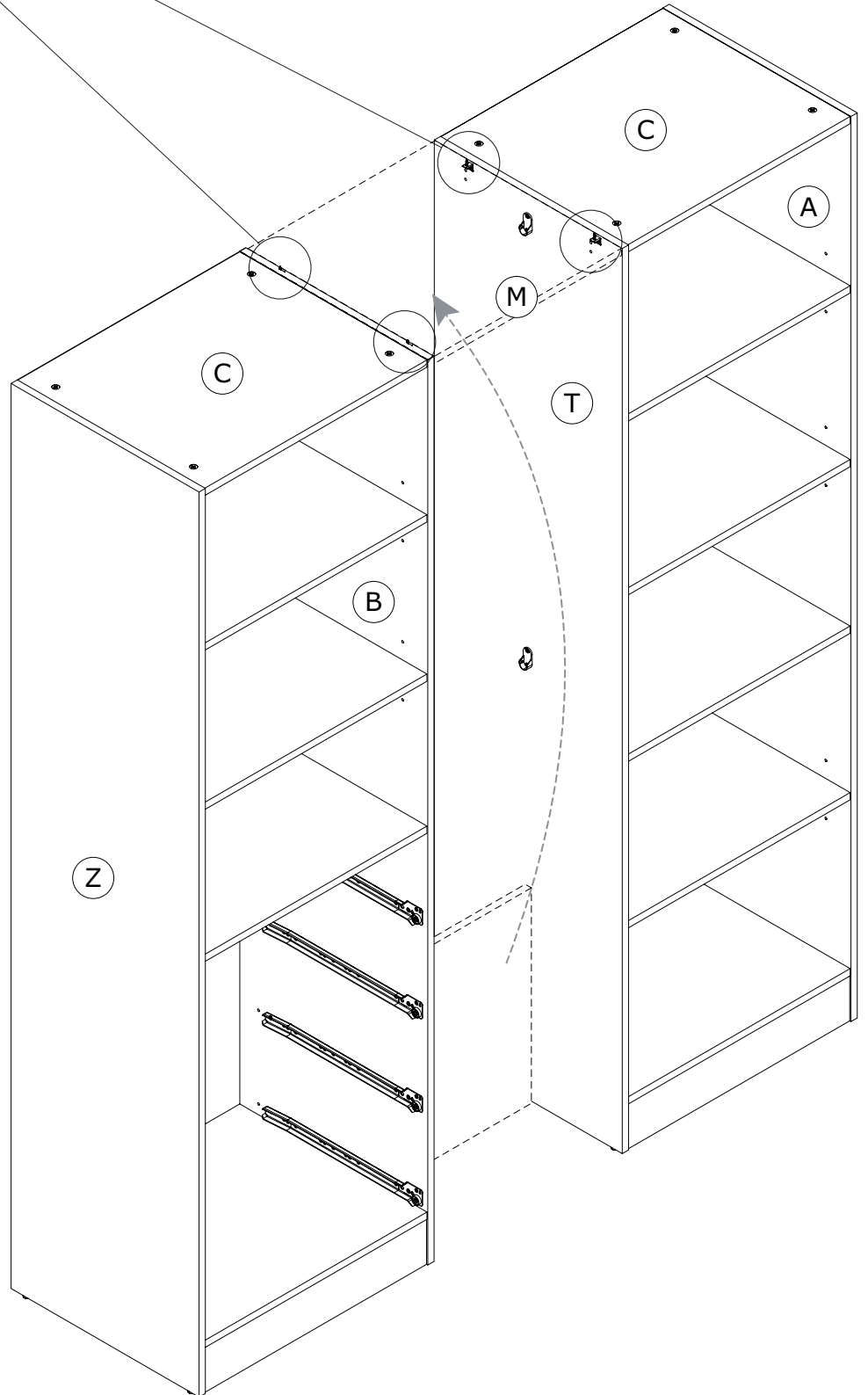
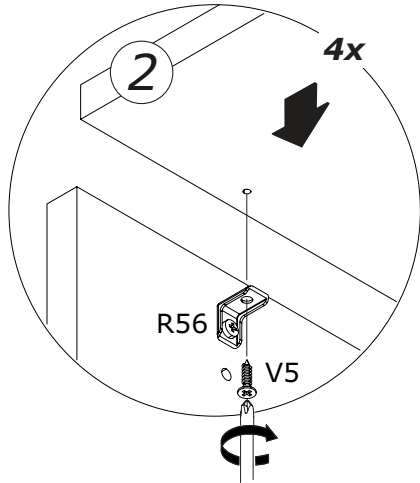
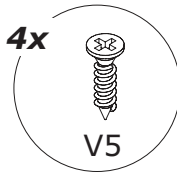
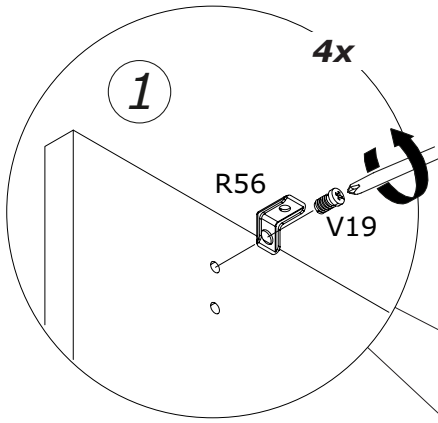
22

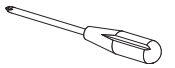
A1



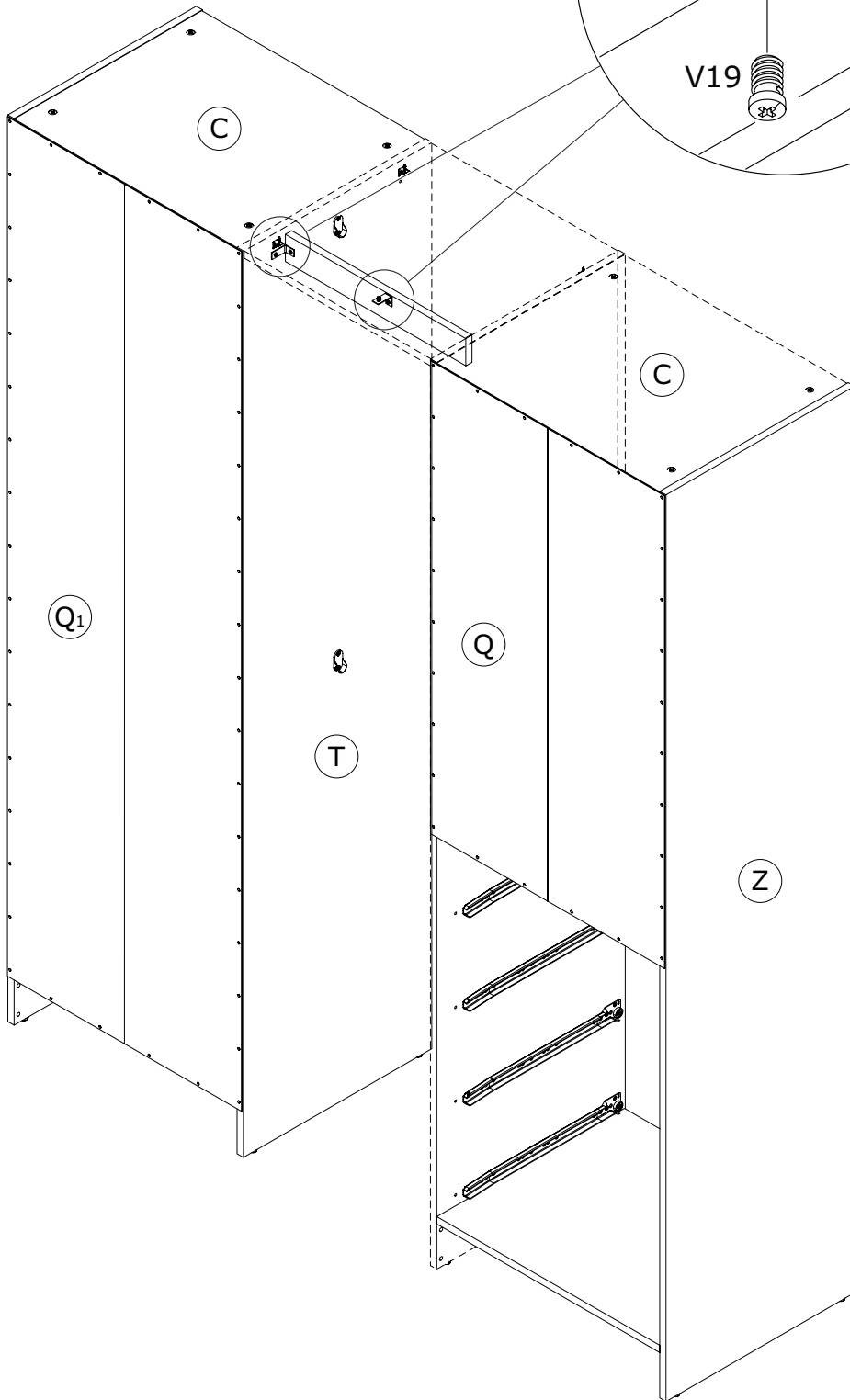
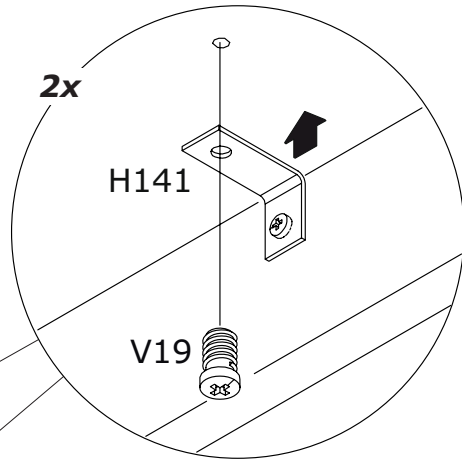


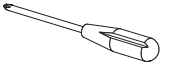
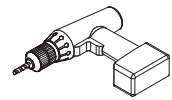
A1



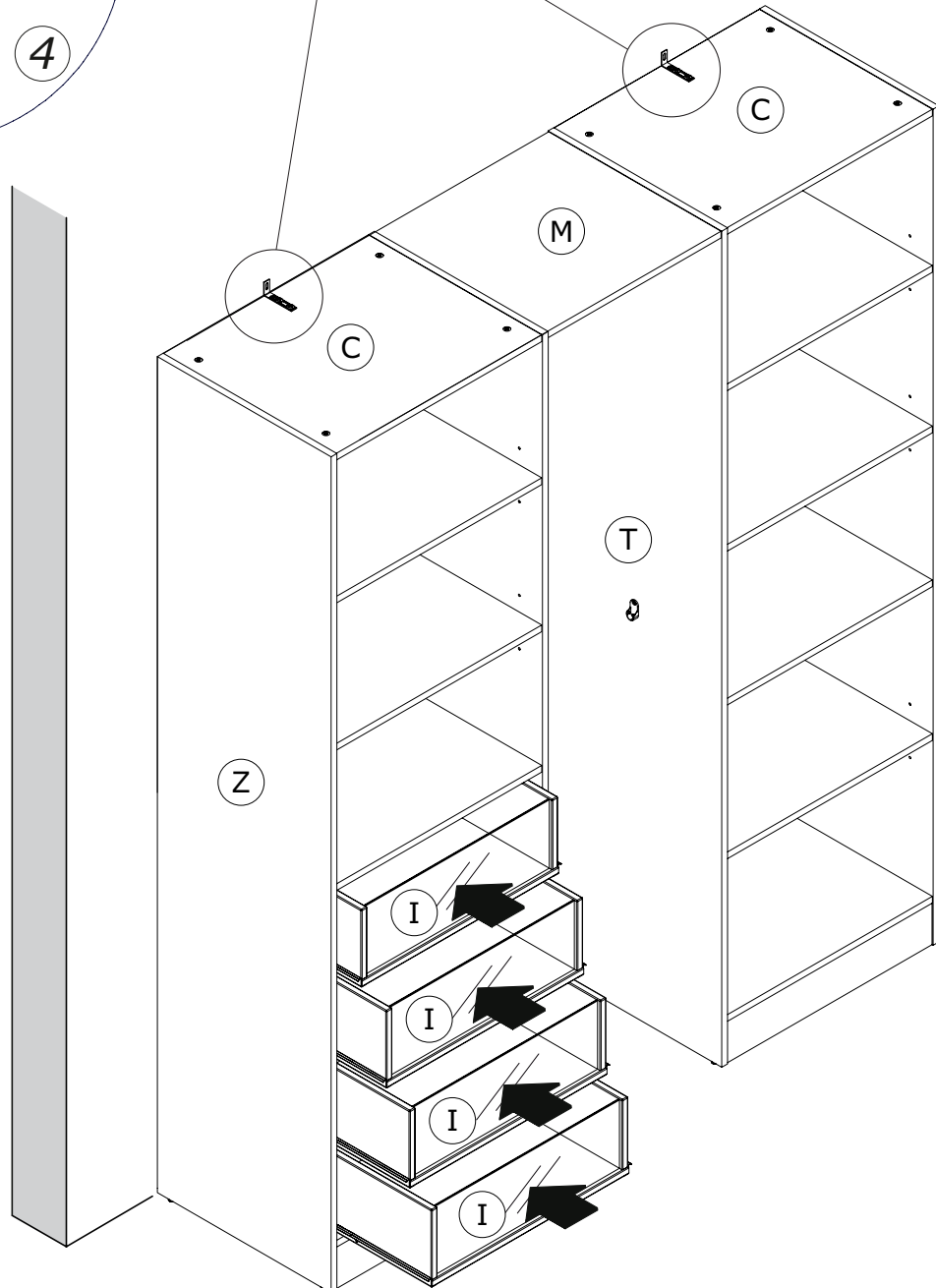
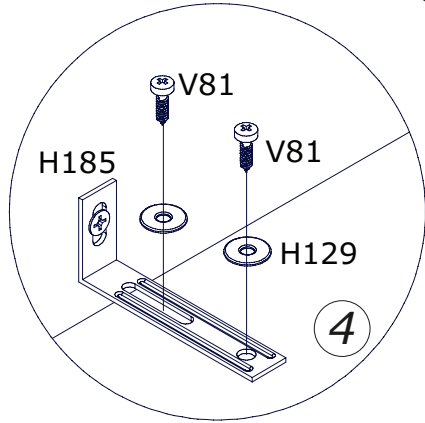
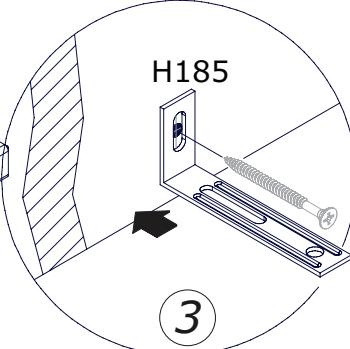
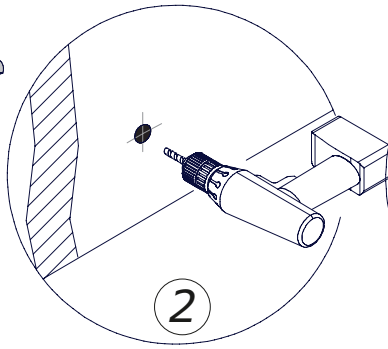
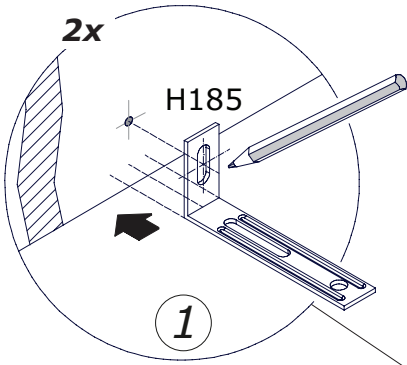


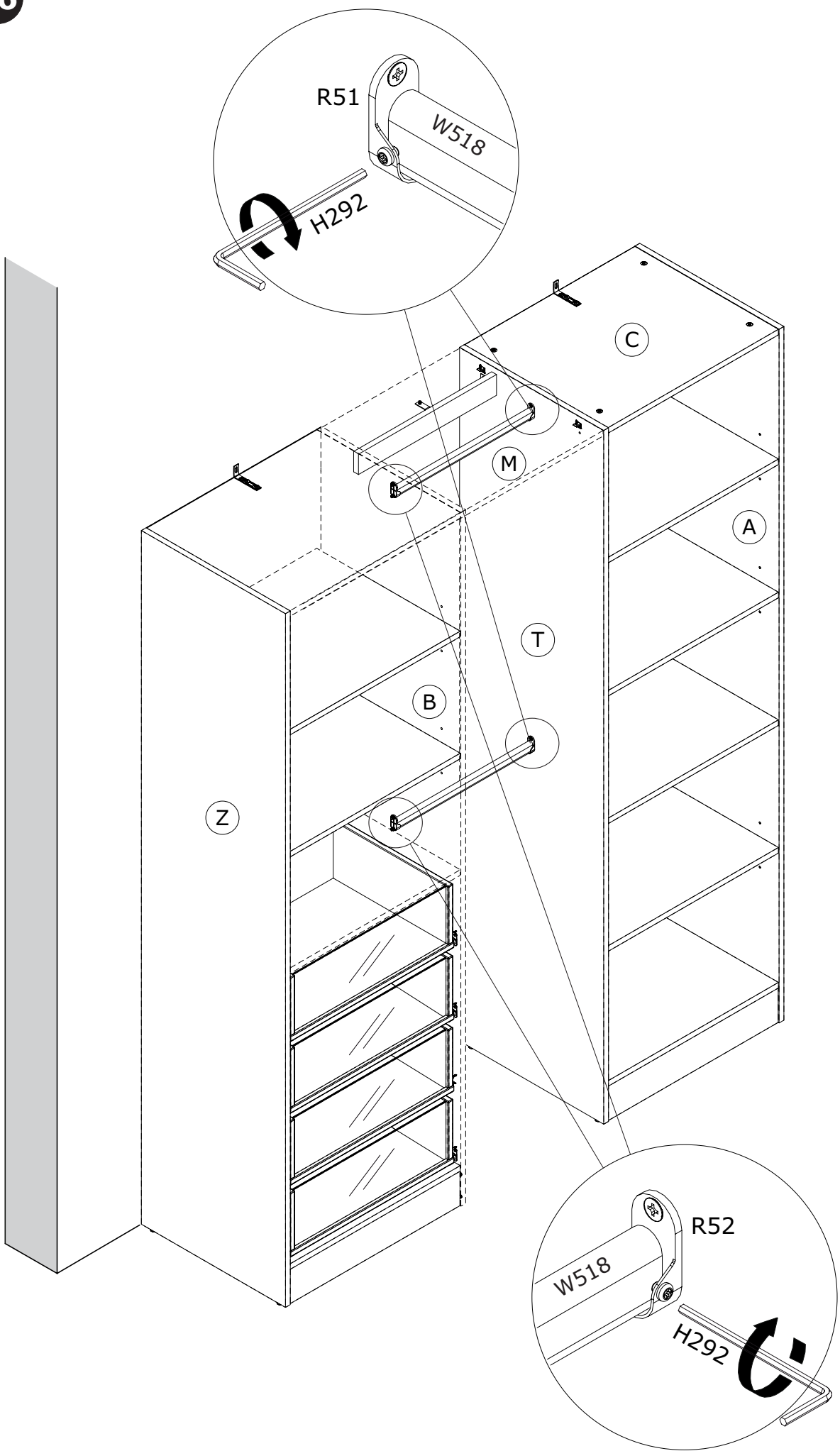
A1



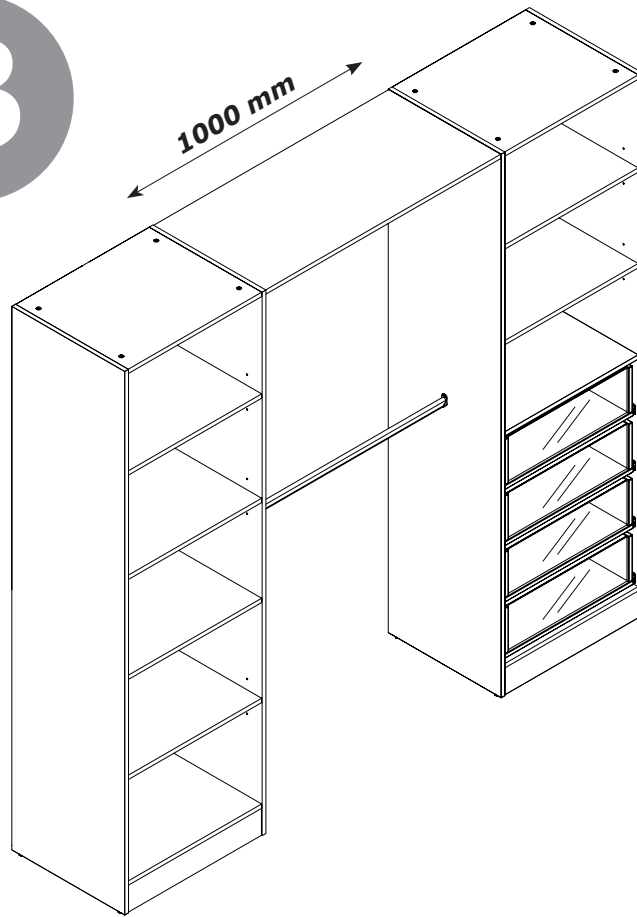


A1

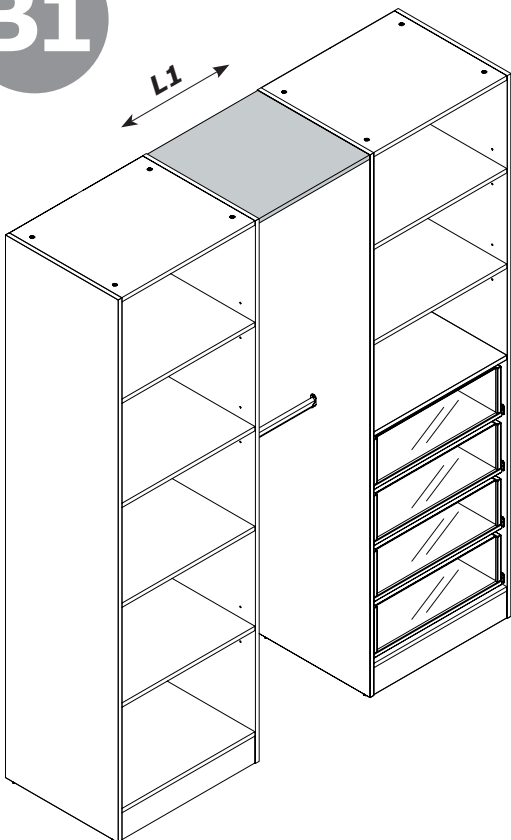




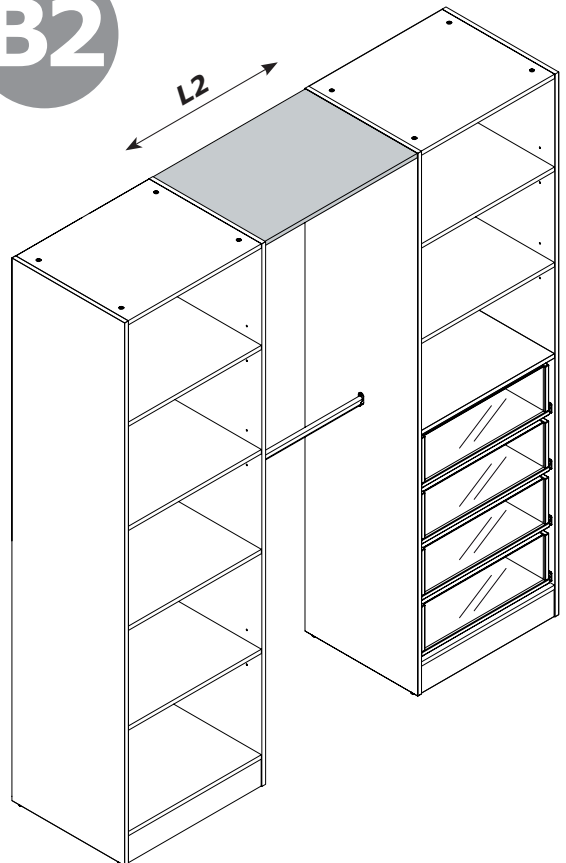
B

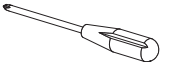


B1

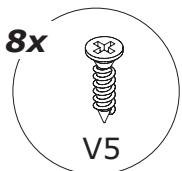
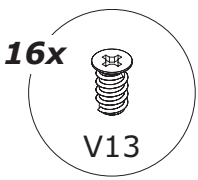
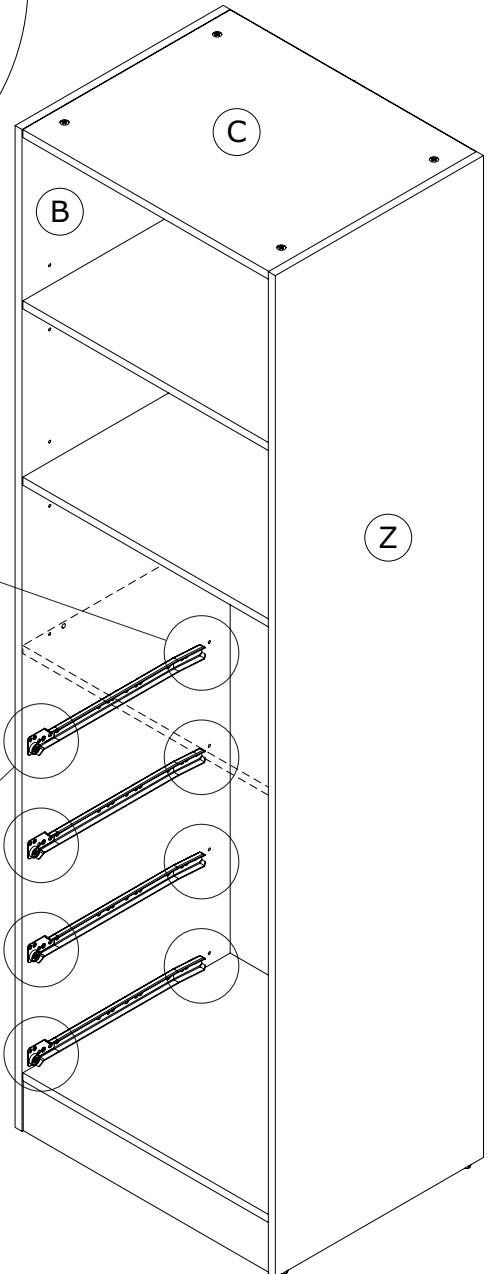
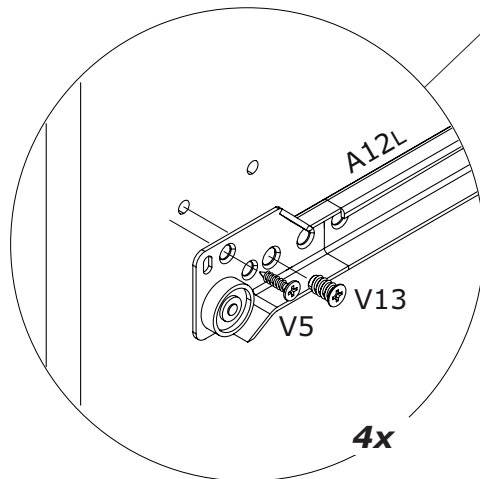
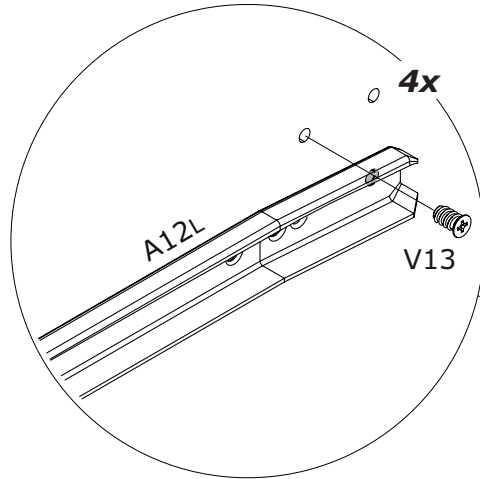
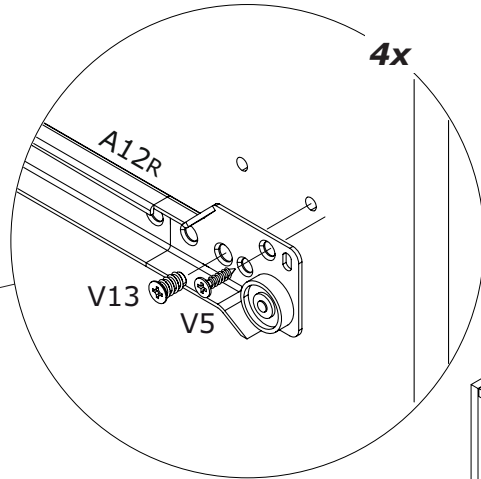
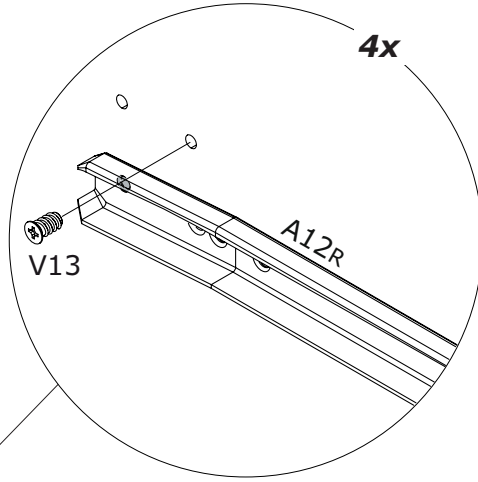
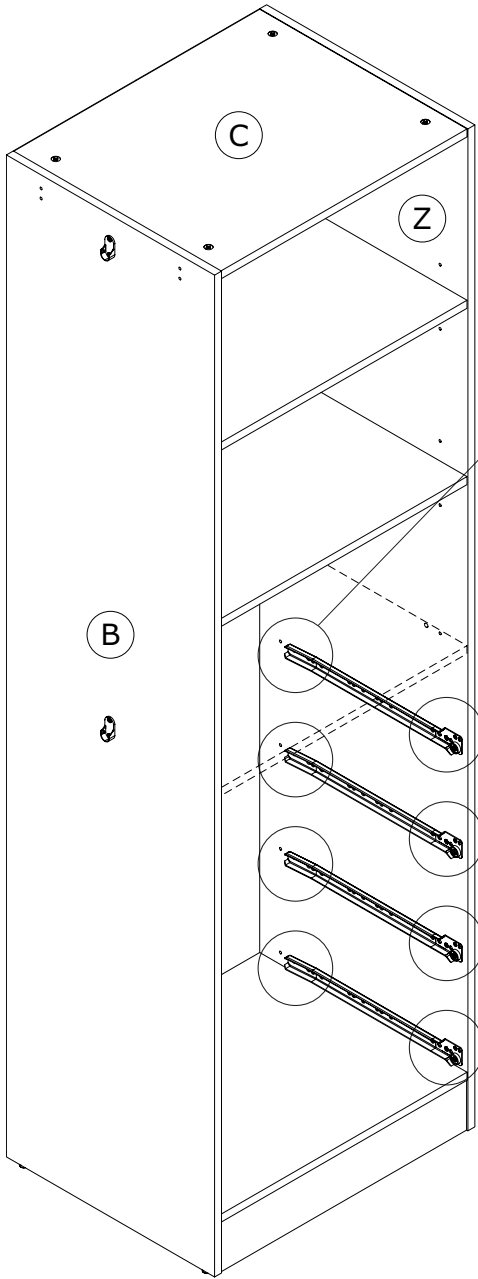


B2

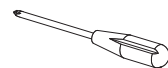




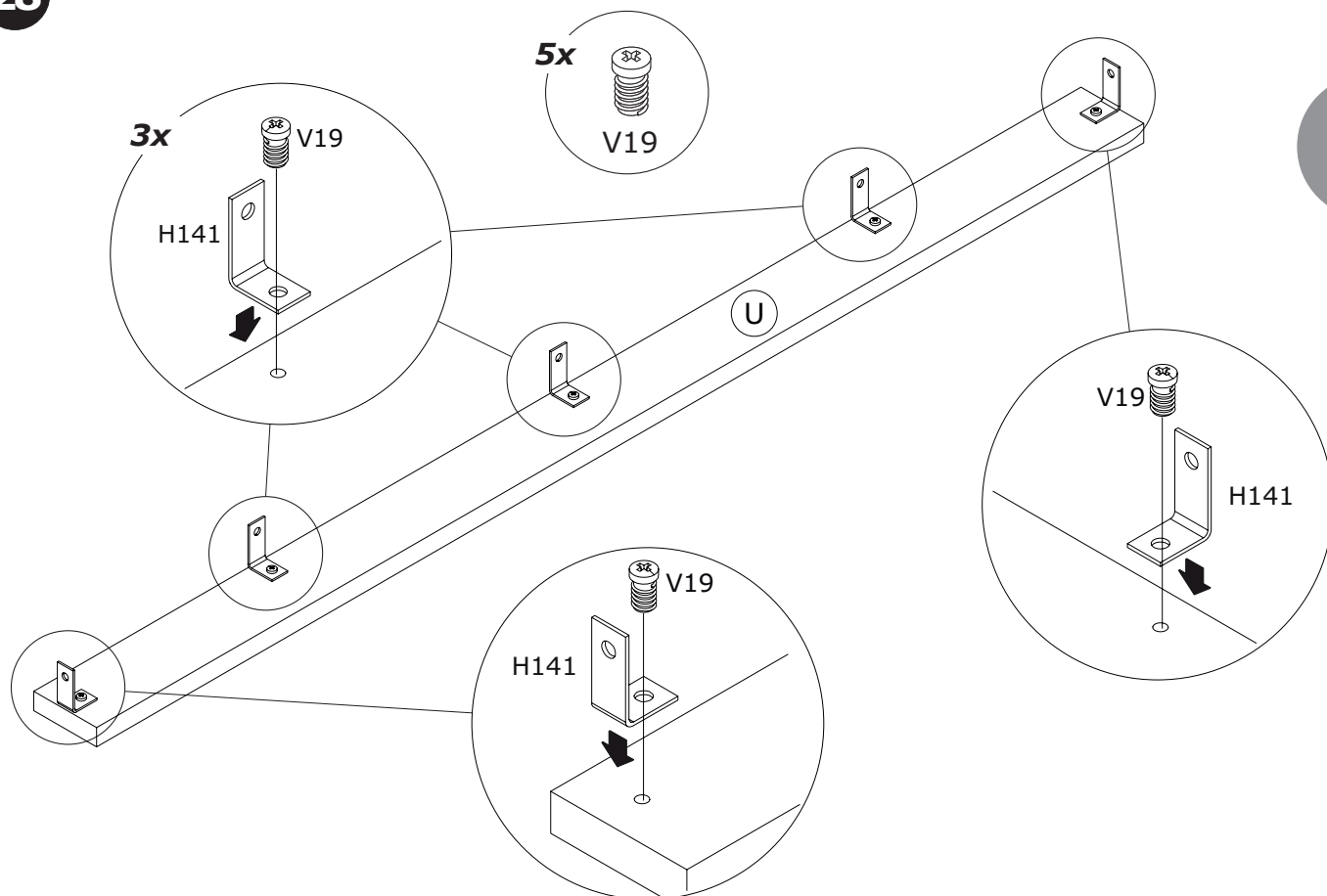
B



28

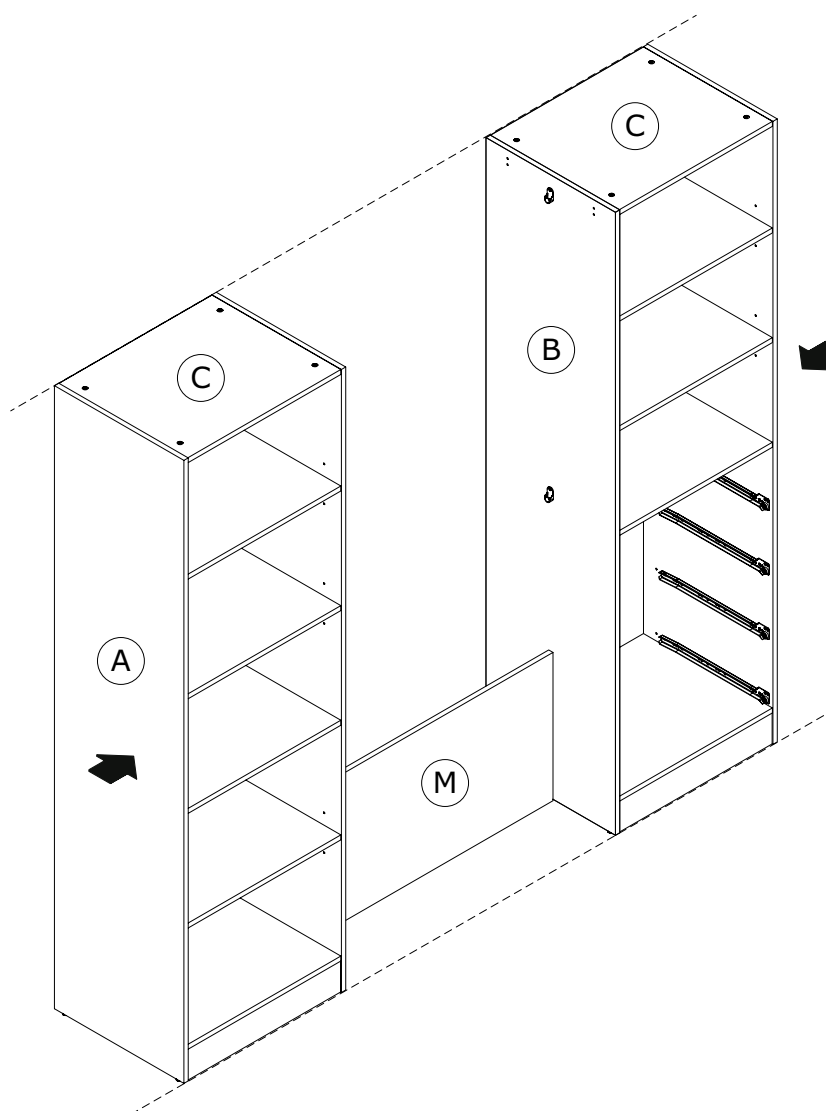


B

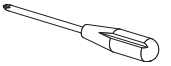


29

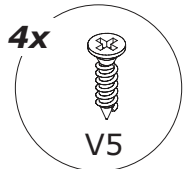
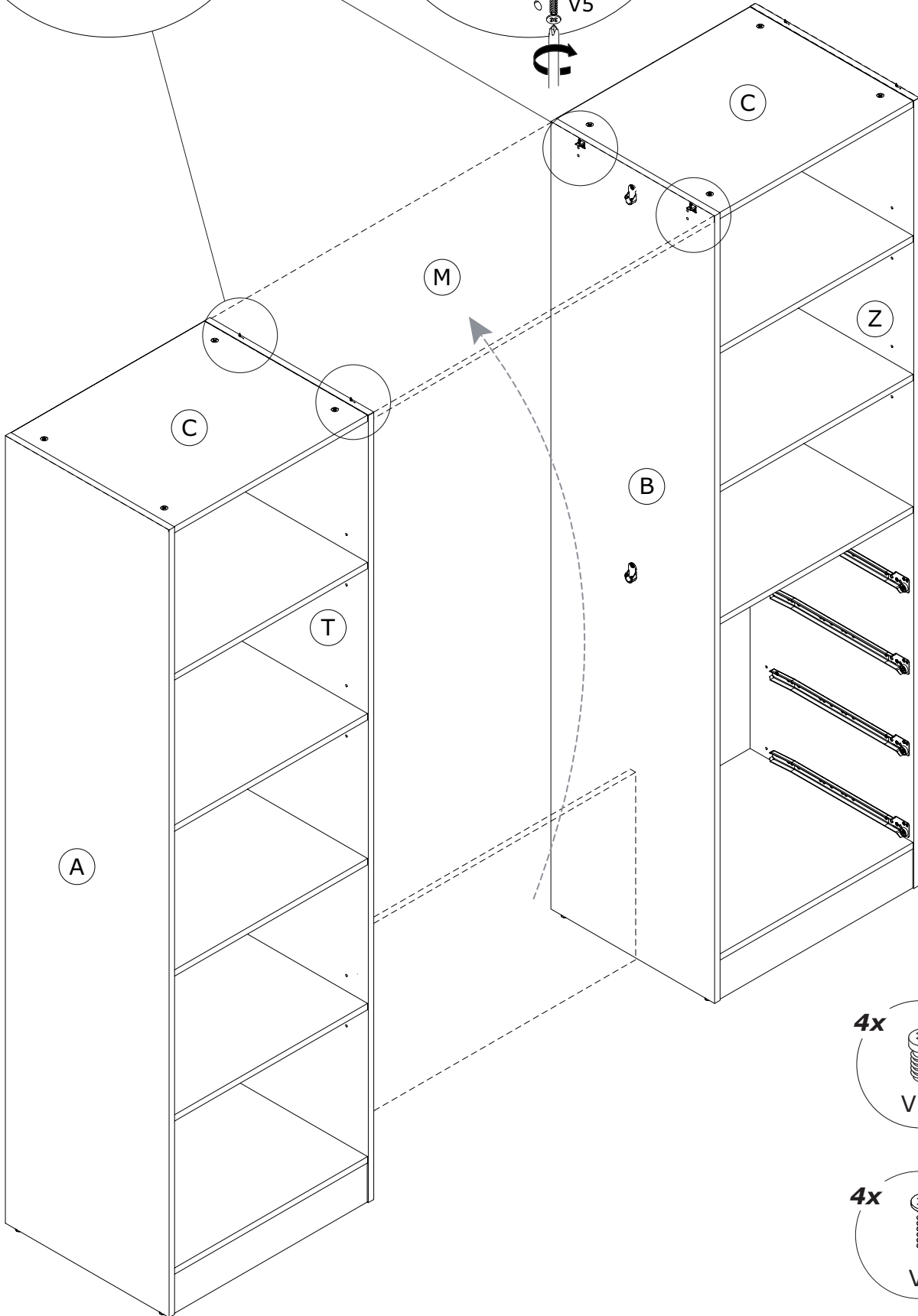
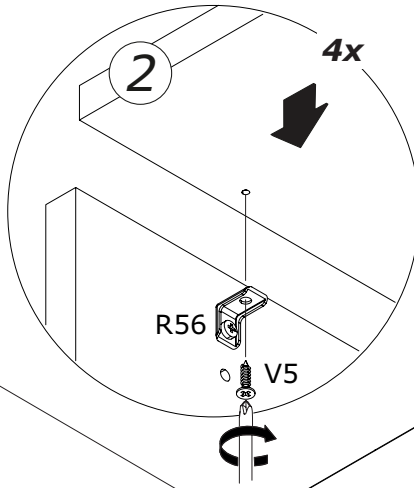
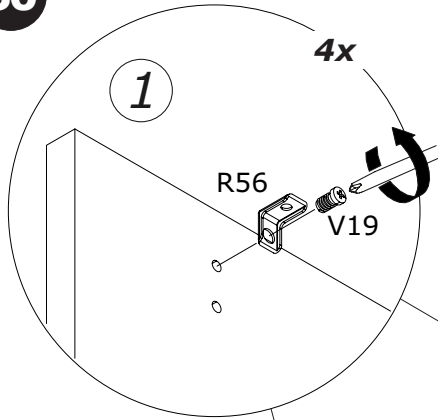
B

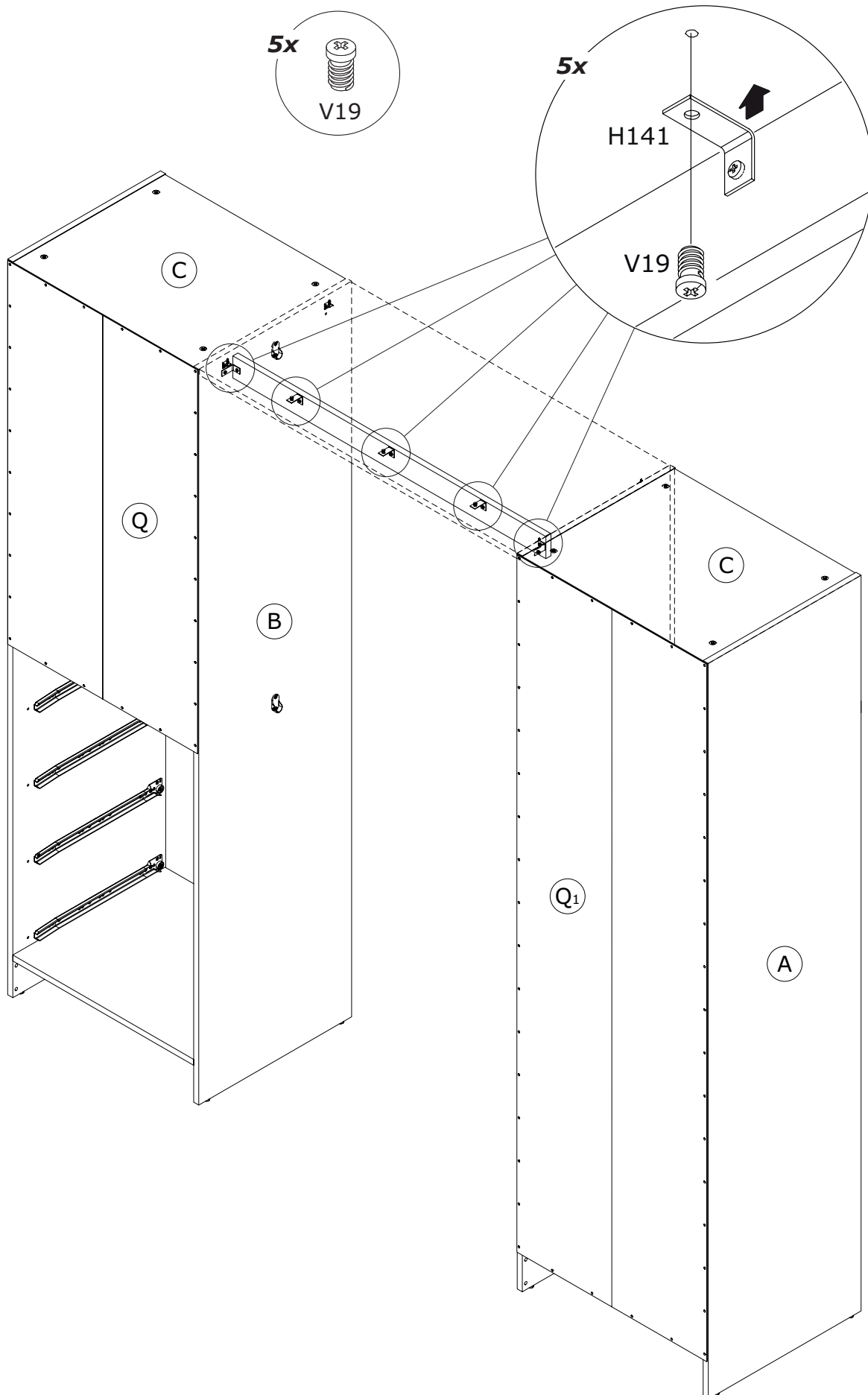
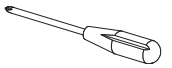


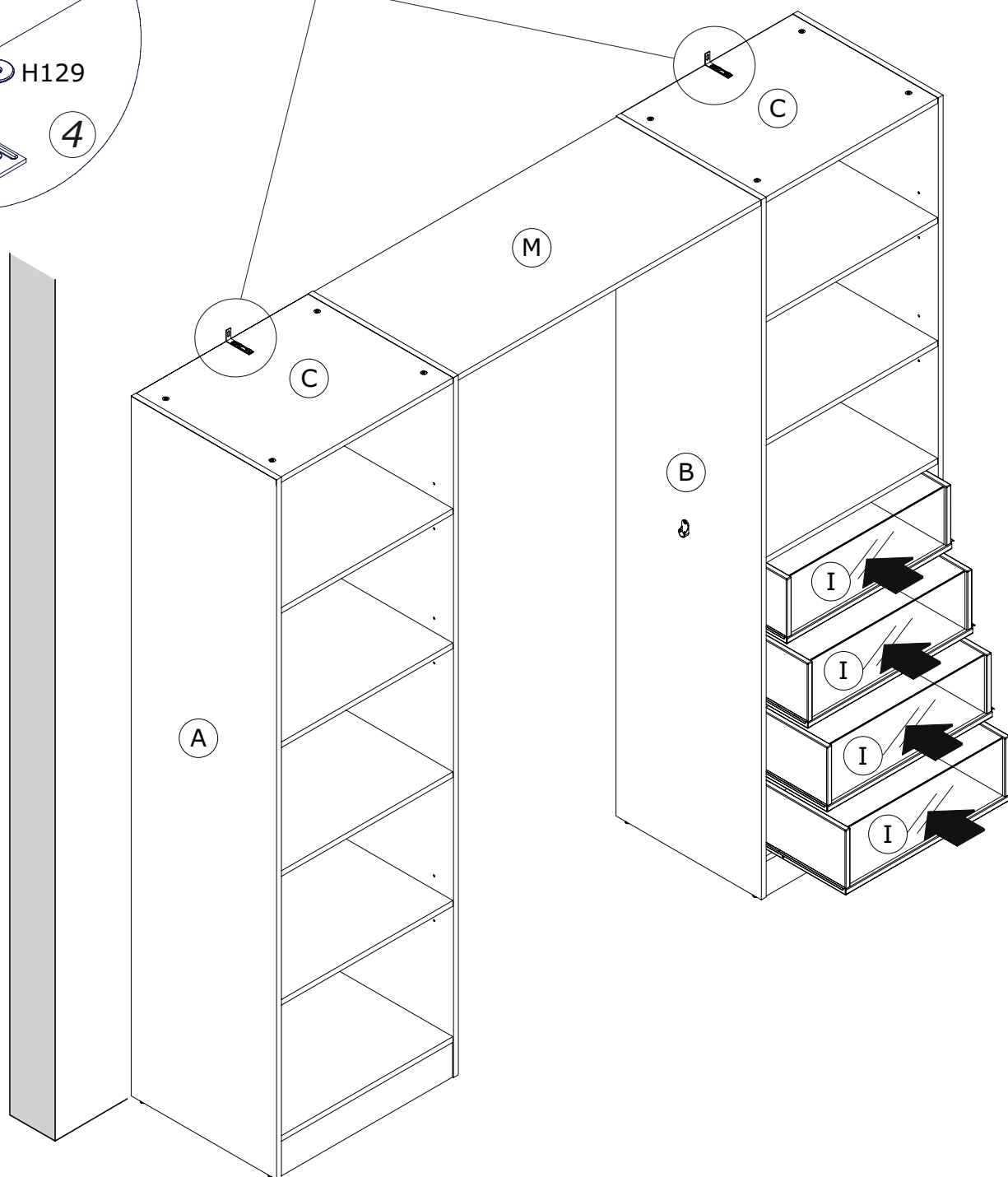
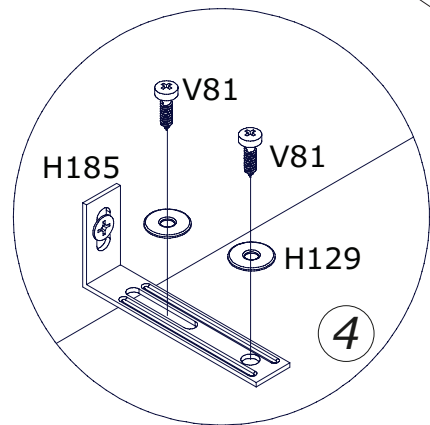
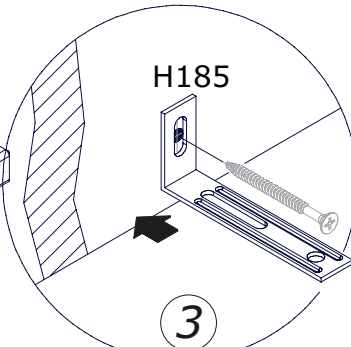
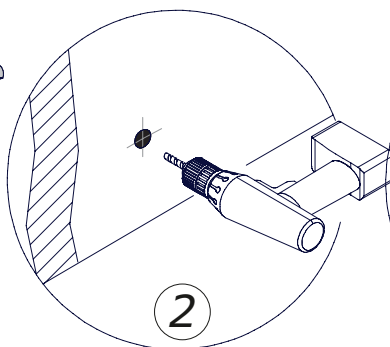
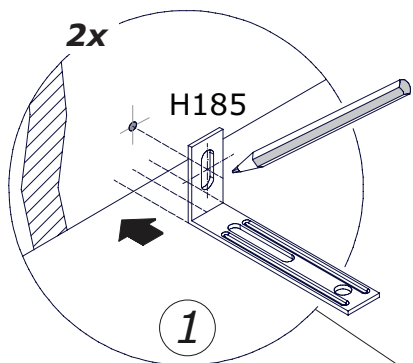
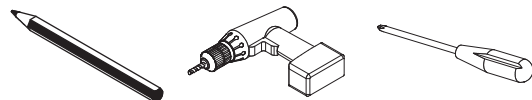
30

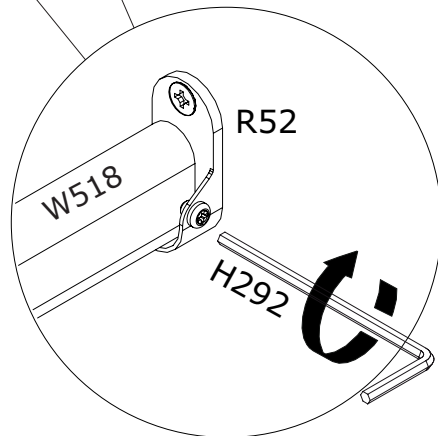
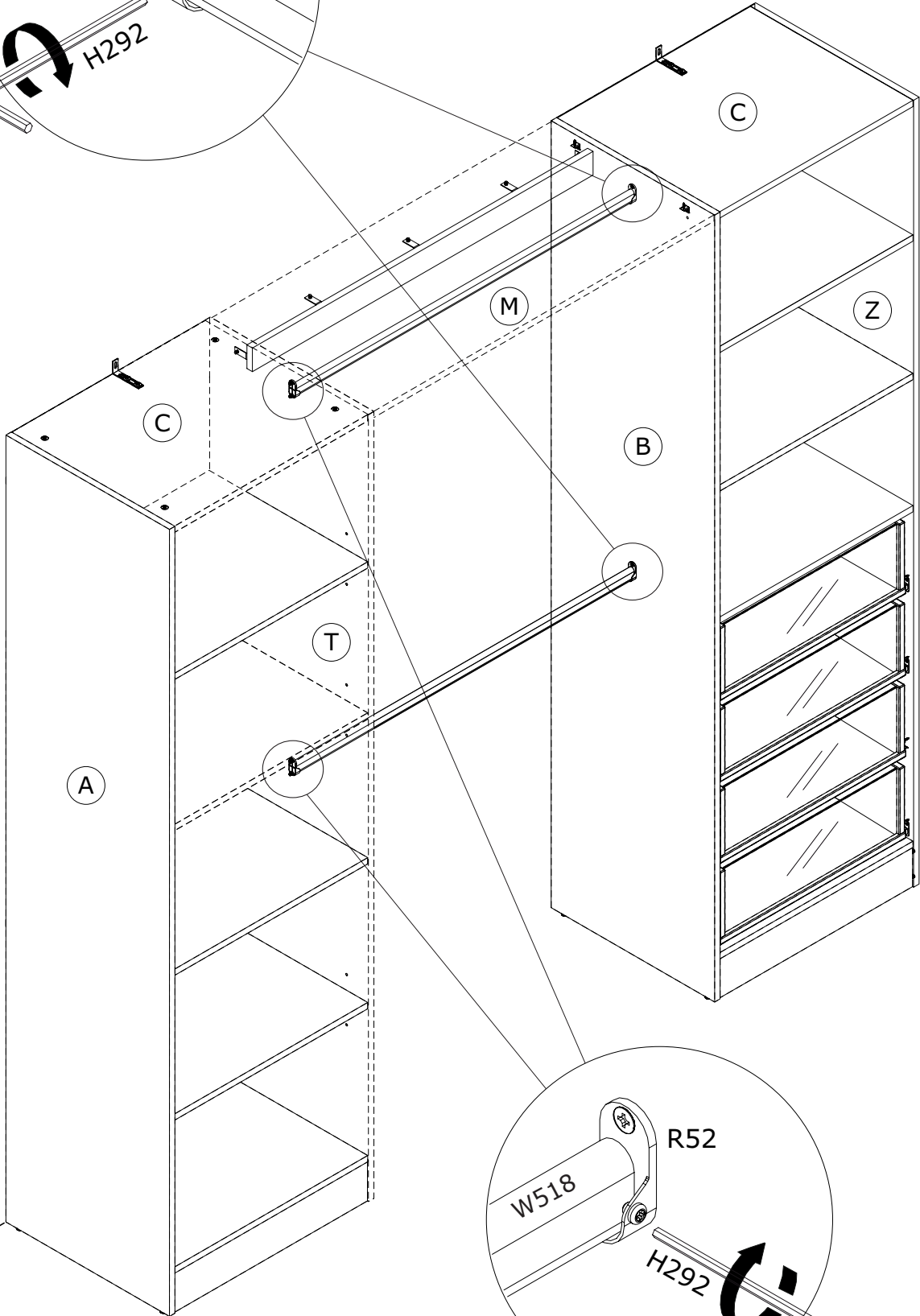
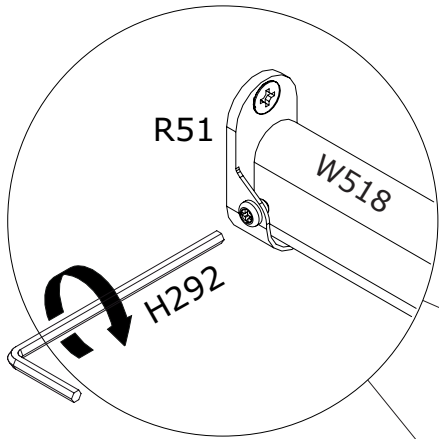


B

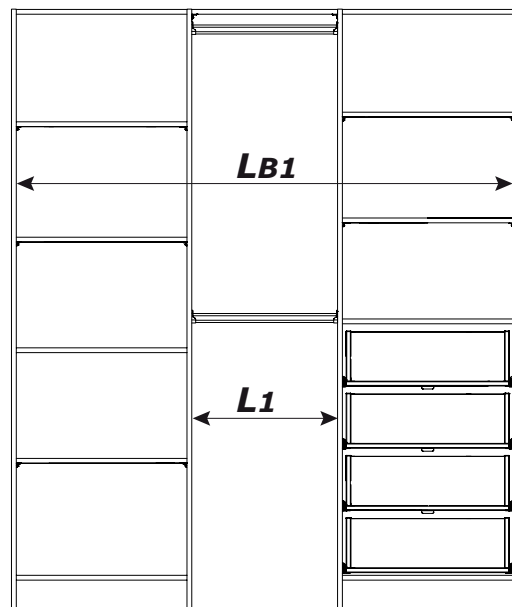
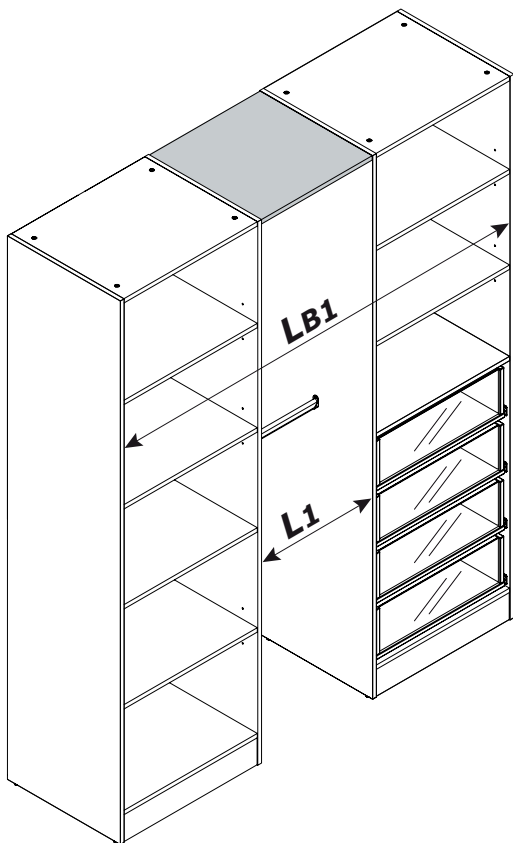




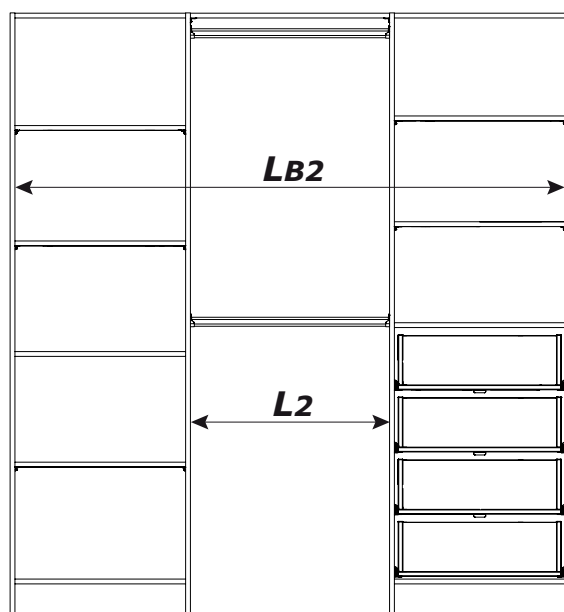
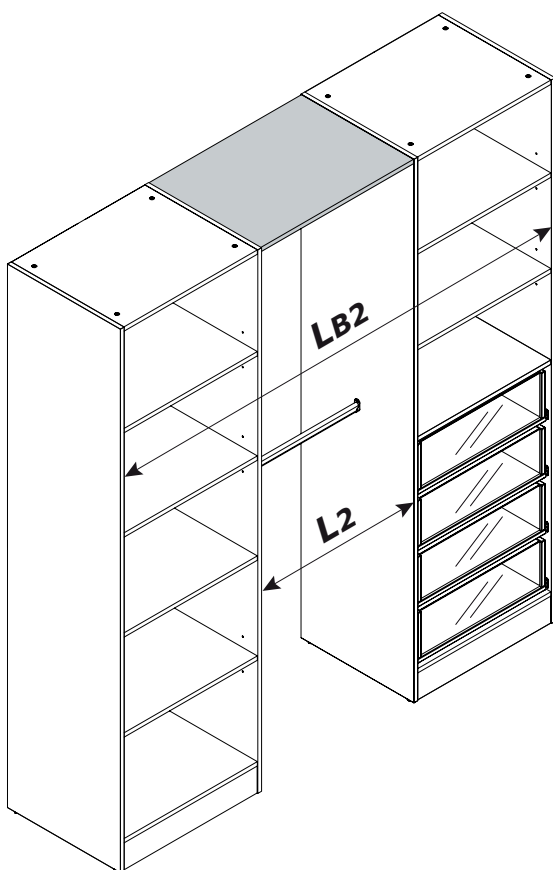




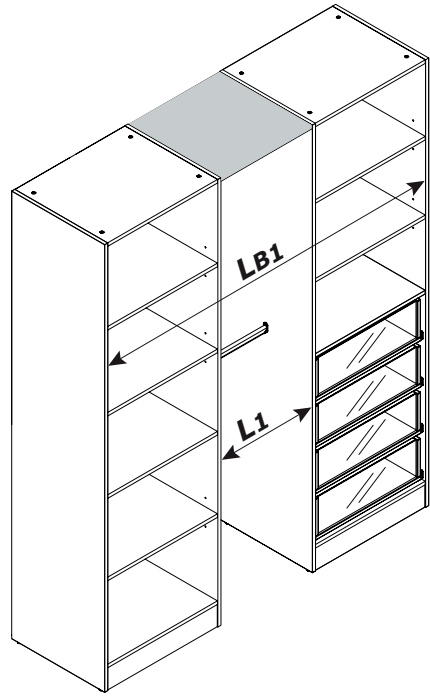
B1



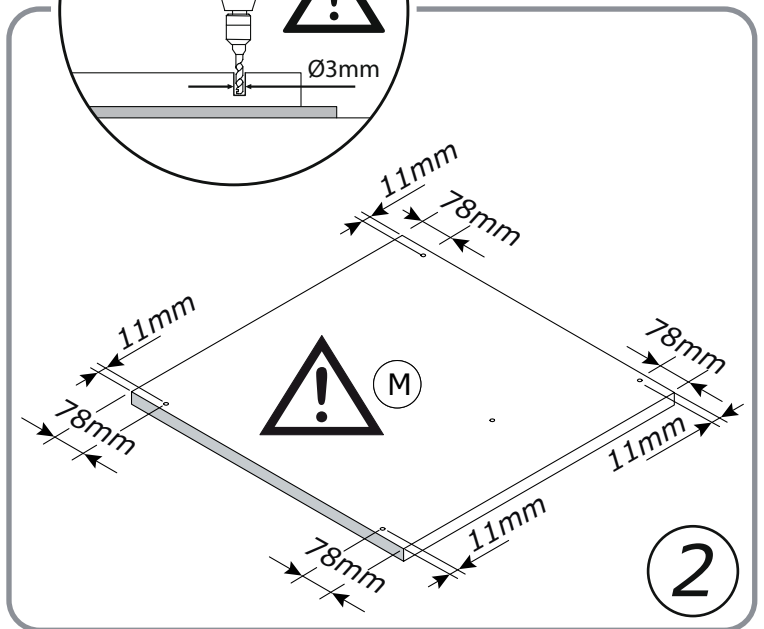
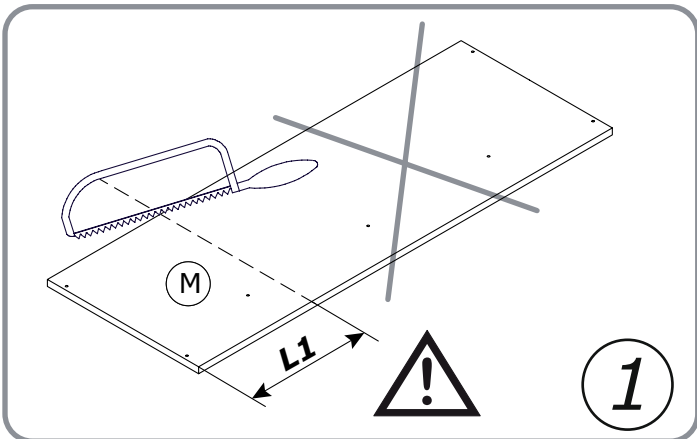
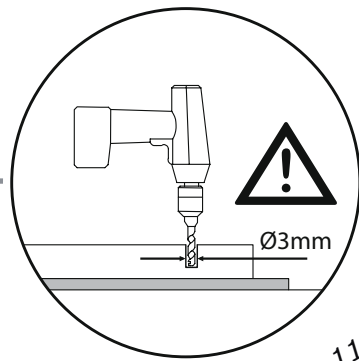
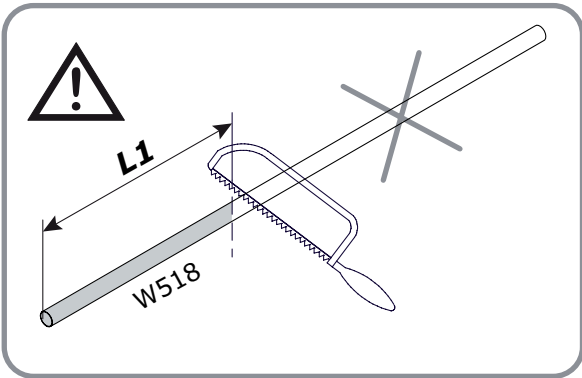
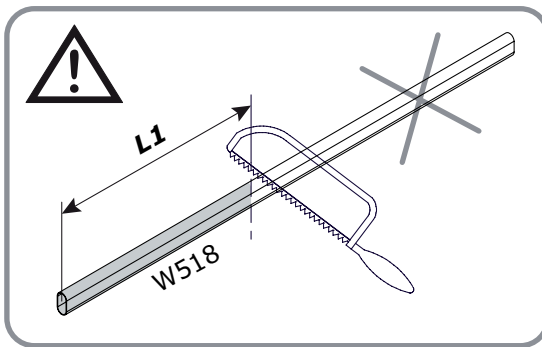
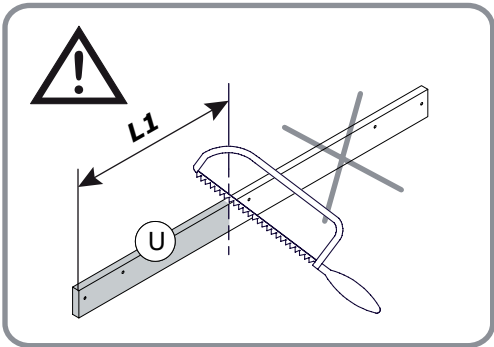
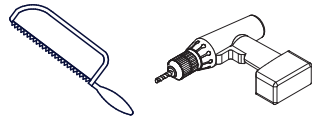
B2



B1

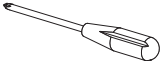


35

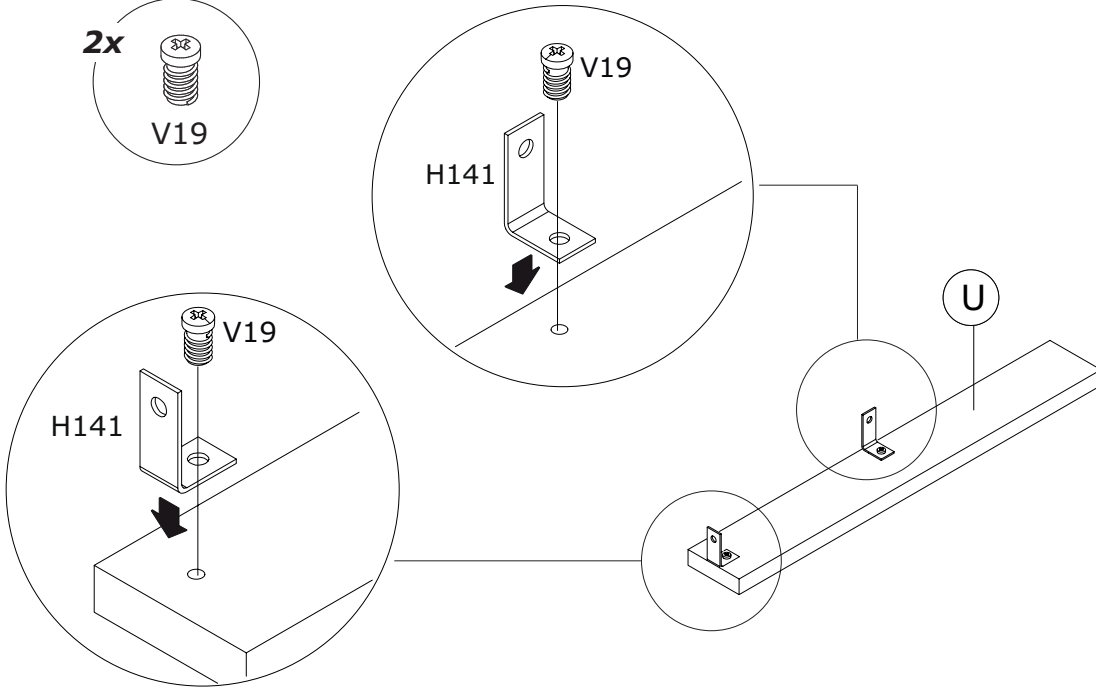


36

2x

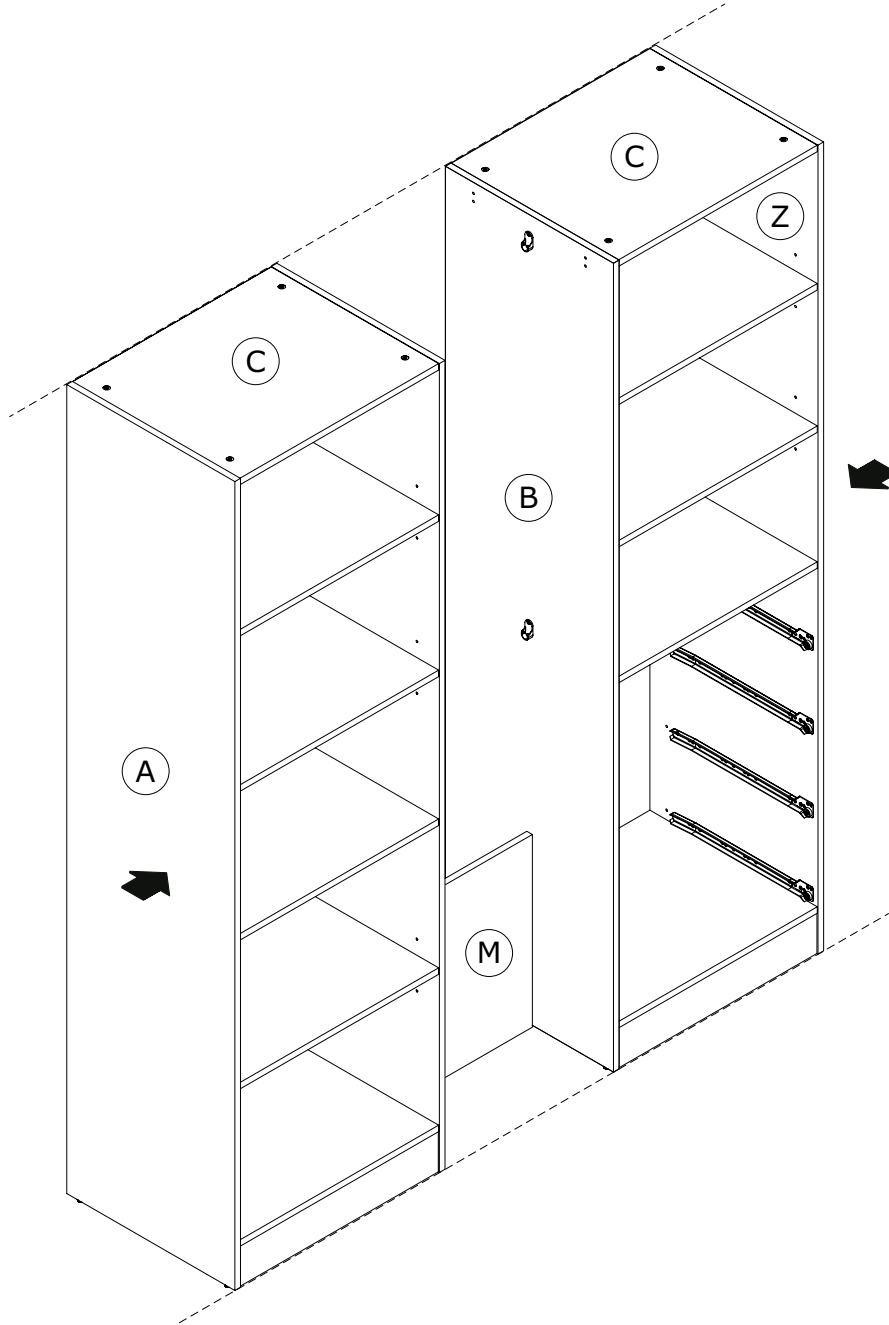


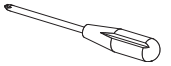
B1



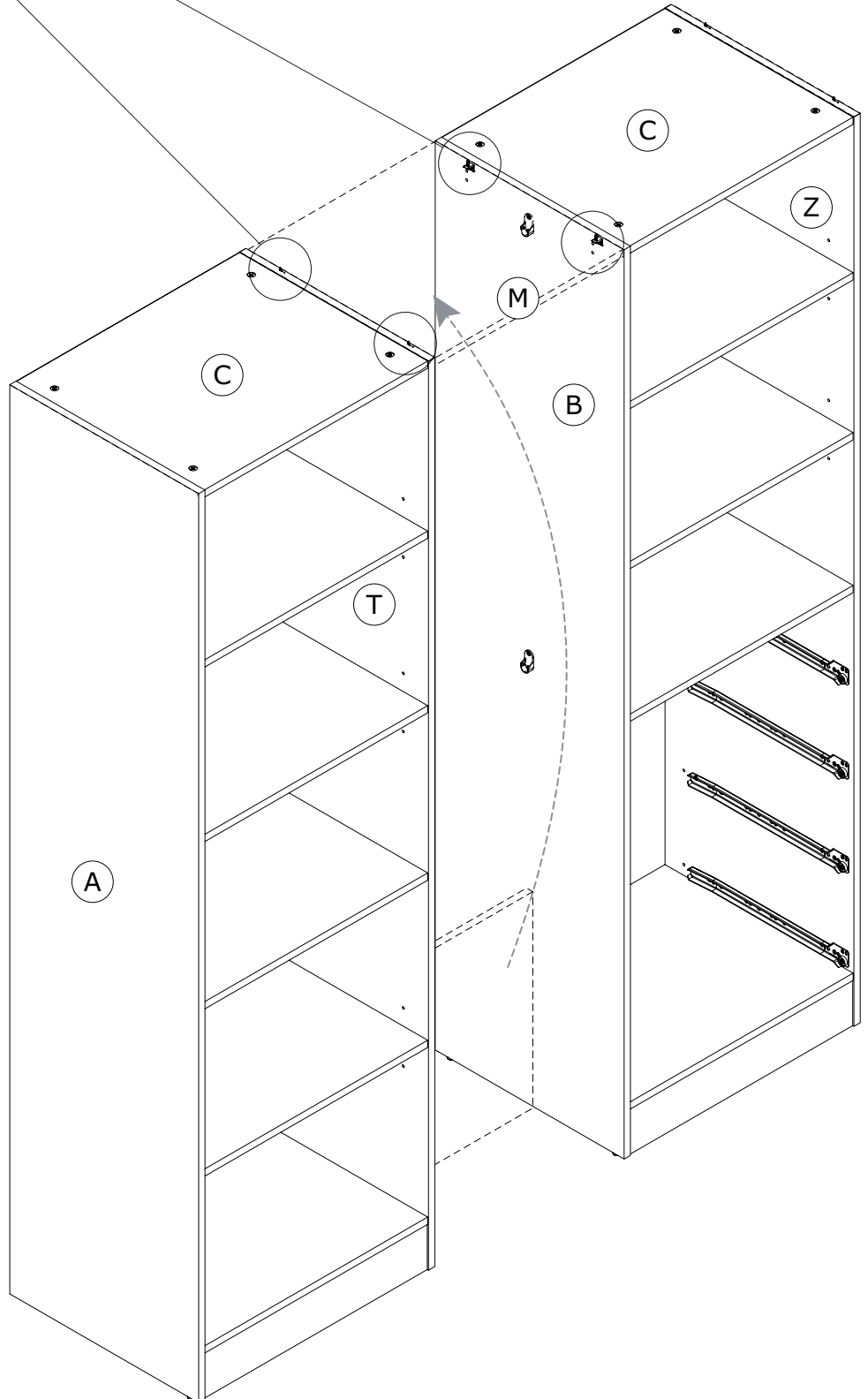
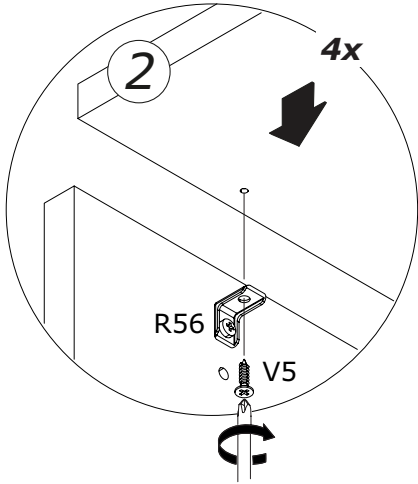
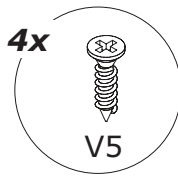
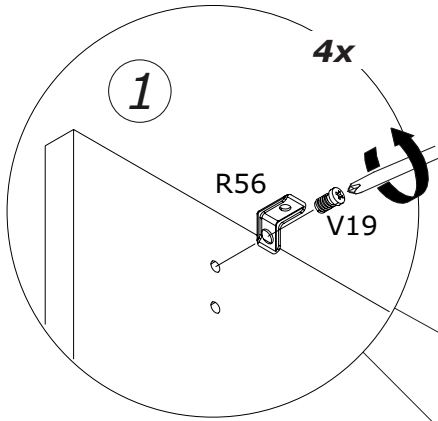
37

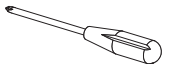
B1



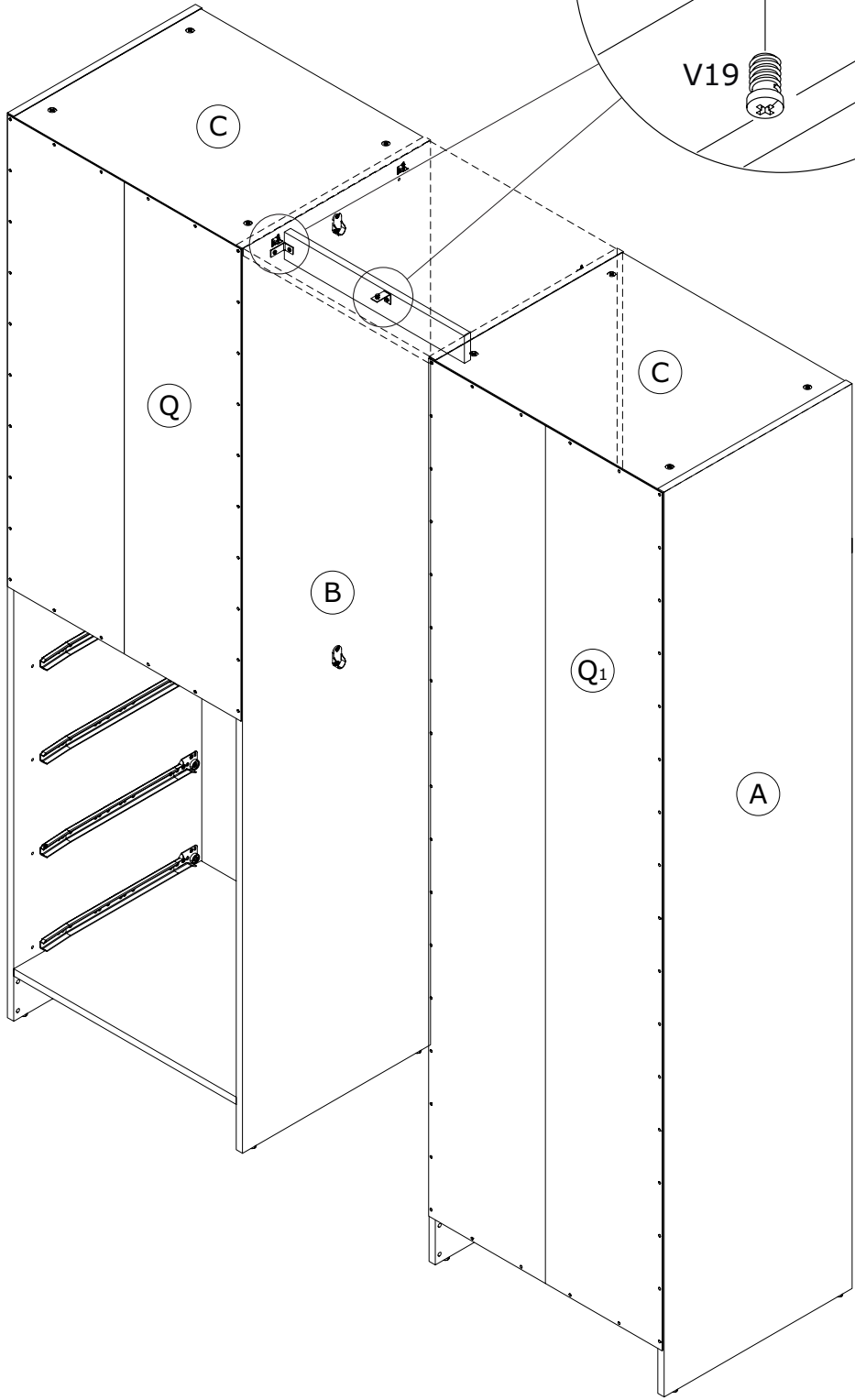
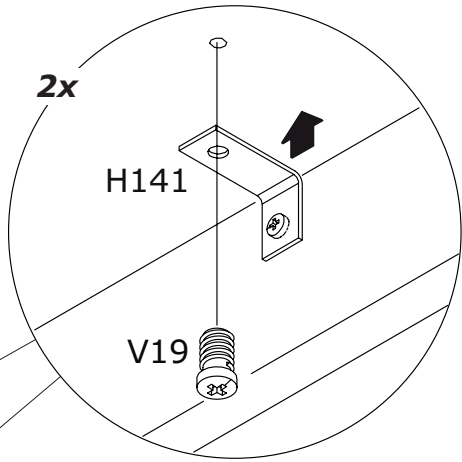


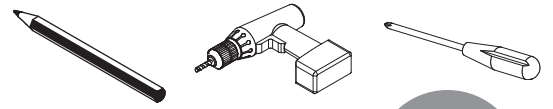
B1





B1





B1

