



**Robert Bosch Power Tools GmbH**  
70538 Stuttgart  
GERMANY

[www.bosch-pt.com](http://www.bosch-pt.com)

**1 609 92A 4W9** (2019.05) AS / 42



**1 609 92A 4W9**



**en** Original instructions

**ar** دليل التشغيل الأصلي

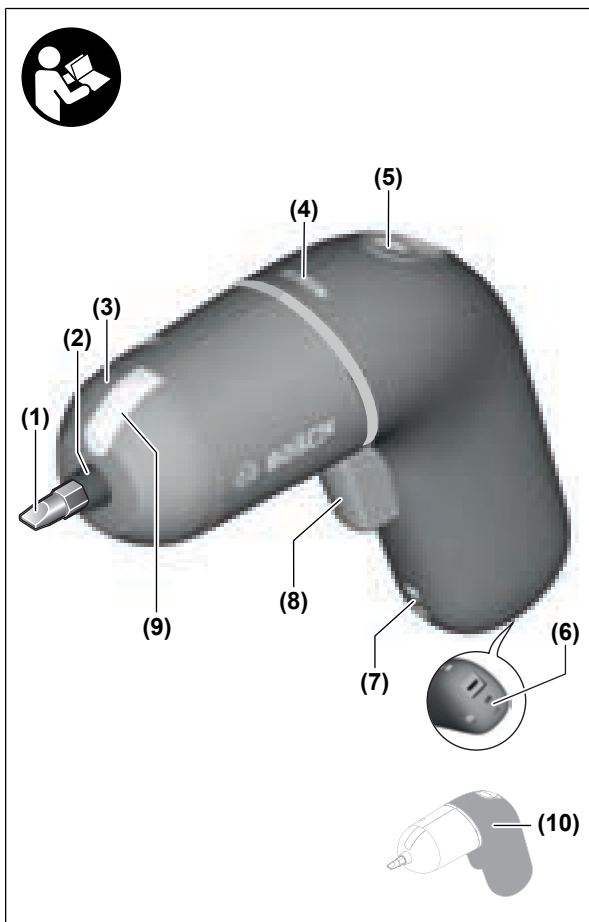


2 |

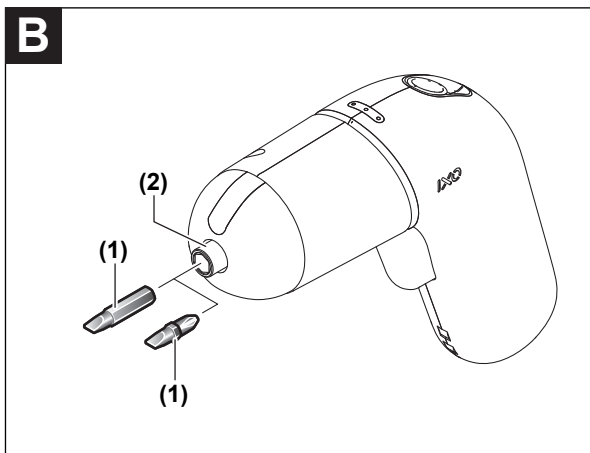
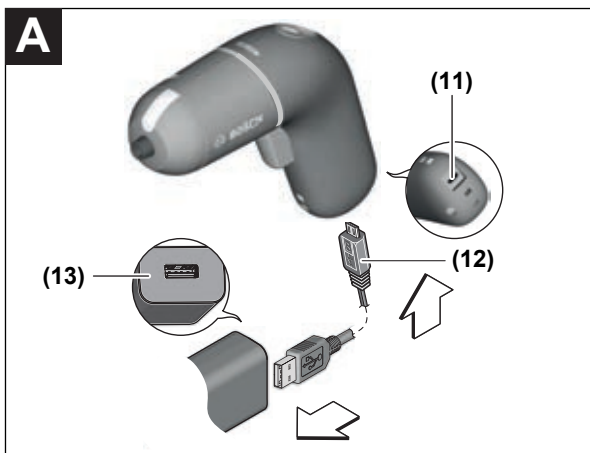
English .....Page 7

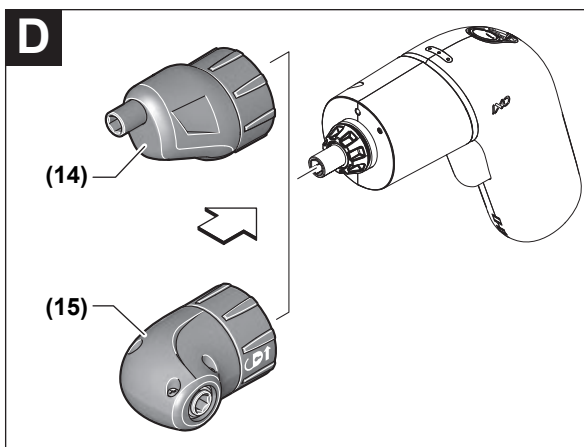
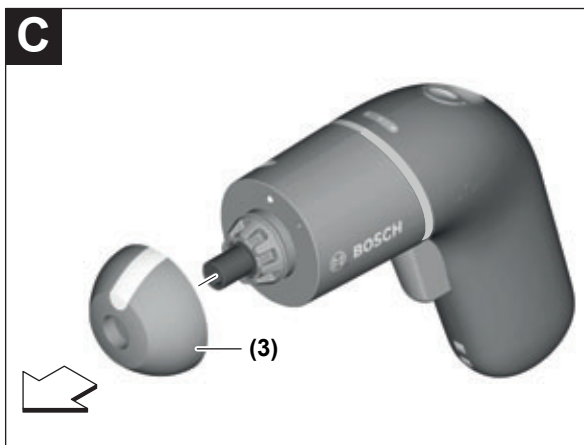
عربي .....الصفحة 21

CE ..... |



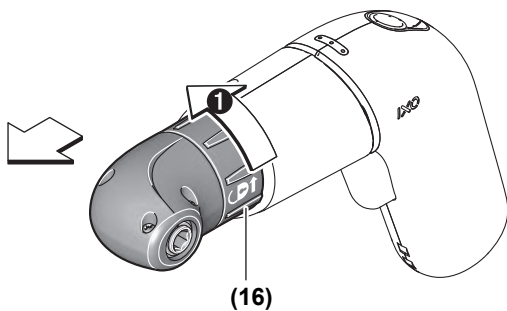
4 |





6 |

**E**



**F**



# English

## Safety instructions

### General Power Tool Safety Warnings

**⚠ WARNING** Read all safety warnings, instructions, illustrations and specifications provided with this power tool. Failure to follow all instructions listed below may result in electric shock, fire and/or serious injury.

**Save all warnings and instructions for future reference.**

The term "power tool" in the warnings refers to your mains-operated (corded) power tool or battery-operated (cordless) power tool.

#### Work area safety

- ▶ **Keep work area clean and well lit.** Cluttered or dark areas invite accidents.
- ▶ **Do not operate power tools in explosive atmospheres, such as in the presence of flammable liquids, gases or dust.** Power tools create sparks which may ignite the dust or fumes.
- ▶ **Keep children and bystanders away while operating a power tool.** Distractions can cause you to lose control.

#### Electrical safety

- ▶ **Power tool plugs must match the outlet. Never modify the plug in any way. Do not use any adapter plugs with earthed (grounded) power tools.** Unmodified plugs and matching outlets will reduce risk of electric shock.
- ▶ **Avoid body contact with earthed or grounded surfaces, such as pipes, radiators, ranges and refrigerators.** There is an increased risk of electric shock if your body is earthed or grounded.
- ▶ **Do not expose power tools to rain or wet conditions.** Water entering a power tool will increase the risk of electric shock.

- ▶ **Do not abuse the cord. Never use the cord for carrying, pulling or unplugging the power tool. Keep cord away from heat, oil, sharp edges or moving parts.** Damaged or entangled cords increase the risk of electric shock.
- ▶ **When operating a power tool outdoors, use an extension cord suitable for outdoor use.** Use of a cord suitable for outdoor use reduces the risk of electric shock.
- ▶ **If operating a power tool in a damp location is unavoidable, use a residual current device (RCD) protected supply.** Use of an RCD reduces the risk of electric shock.

### Personal safety

- ▶ **Stay alert, watch what you are doing and use common sense when operating a power tool. Do not use a power tool while you are tired or under the influence of drugs, alcohol or medication.** A moment of inattention while operating power tools may result in serious personal injury.
- ▶ **Use personal protective equipment. Always wear eye protection.** Protective equipment such as a dust mask, non-skid safety shoes, hard hat or hearing protection used for appropriate conditions will reduce personal injuries.
- ▶ **Prevent unintentional starting. Ensure the switch is in the off-position before connecting to power source and/or battery pack, picking up or carrying the tool.** Carrying power tools with your finger on the switch or energising power tools that have the switch on invites accidents.
- ▶ **Remove any adjusting key or wrench before turning the power tool on.** A wrench or a key left attached to a rotating part of the power tool may result in personal injury.
- ▶ **Do not overreach. Keep proper footing and balance at all times.** This enables better control of the power tool in unexpected situations.
- ▶ **Dress properly. Do not wear loose clothing or jewellery. Keep your hair and clothing away from moving parts.** Loose clothes, jewellery or long hair can be caught in moving parts.
- ▶ **If devices are provided for the connection of dust extraction and collection facilities, ensure these are connected and properly used.** Use of dust collection can reduce dust-related hazards.



- ▶ **Do not let familiarity gained from frequent use of tools allow you to become complacent and ignore tool safety principles.** A careless action can cause severe injury within a fraction of a second.

#### Power tool use and care

- ▶ **Do not force the power tool. Use the correct power tool for your application.** The correct power tool will do the job better and safer at the rate for which it was designed.
- ▶ **Do not use the power tool if the switch does not turn it on and off.** Any power tool that cannot be controlled with the switch is dangerous and must be repaired.
- ▶ **Disconnect the plug from the power source and/or remove the battery pack, if detachable, from the power tool before making any adjustments, changing accessories, or storing power tools.** Such preventive safety measures reduce the risk of starting the power tool accidentally.
- ▶ **Store idle power tools out of the reach of children and do not allow persons unfamiliar with the power tool or these instructions to operate the power tool.** Power tools are dangerous in the hands of untrained users.
- ▶ **Maintain power tools and accessories. Check for misalignment or binding of moving parts, breakage of parts and any other condition that may affect the power tool's operation. If damaged, have the power tool repaired before use.** Many accidents are caused by poorly maintained power tools.
- ▶ **Keep cutting tools sharp and clean.** Properly maintained cutting tools with sharp cutting edges are less likely to bind and are easier to control.
- ▶ **Use the power tool, accessories and tool bits etc. in accordance with these instructions, taking into account the working conditions and the work to be performed.** Use of the power tool for operations different from those intended could result in a hazardous situation.
- ▶ **Keep handles and grasping surfaces dry, clean and free from oil and grease.** Slippery handles and grasping surfaces do not allow for safe handling and control of the tool in unexpected situations.

### Battery tool use and care

- ▶ **Recharge only with the charger specified by the manufacturer.** A charger that is suitable for one type of battery pack may create a risk of fire when used with another battery pack.
- ▶ **Use power tools only with specifically designated battery packs.** Use of any other battery packs may create a risk of injury and fire.
- ▶ **When battery pack is not in use, keep it away from other metal objects, like paper clips, coins, keys, nails, screws or other small metal objects, that can make a connection from one terminal to another.** Shorting the battery terminals together may cause burns or a fire.
- ▶ **Under abusive conditions, liquid may be ejected from the battery; avoid contact. If contact accidentally occurs, flush with water. If liquid contacts eyes, additionally seek medical help.** Liquid ejected from the battery may cause irritation or burns.
- ▶ **Do not use a battery pack or tool that is damaged or modified.** Damaged or modified batteries may exhibit unpredictable behaviour resulting in fire, explosion or risk of injury.
- ▶ **Do not expose a battery pack or tool to fire or excessive temperature.** Exposure to fire or temperature above 130°C may cause explosion.
- ▶ **Follow all charging instructions and do not charge the battery pack or tool outside the temperature range specified in the instructions.** Charging improperly or at temperatures outside the specified range may damage the battery and increase the risk of fire.

### Service

- ▶ **Have your power tool serviced by a qualified repair person using only identical replacement parts.** This will ensure that the safety of the power tool is maintained.
- ▶ **Never service damaged battery packs.** Service of battery packs should only be performed by the manufacturer or authorized service providers.

### Safety Warnings for Screwdrivers

- ▶ **Hold the power tool by insulated gripping surfaces, when performing an operation where the fastener may contact hidden wiring.** Fasteners contacting a "live" wire may make exposed metal parts of the power tool "live" and could give the operator an electric shock.

- ▶ **Use suitable detectors to determine if there are hidden supply lines or contact the local utility company for assistance.** Contact with electric cables can cause fire and electric shock. Damaging gas lines can lead to explosion. Breaking water pipes causes property damage.
- ▶ **Hold the power tool securely.** When tightening and loosening screws be prepared for temporarily high torque reactions.
- ▶ **Secure the workpiece.** A workpiece clamped with clamping devices or in a vice is held more secure than by hand.
- ▶ **Always wait until the power tool has come to a complete stop before placing it down.** The application tool can jam and cause you to lose control of the power tool.



**Protect the power tool against heat, e.g. against continuous intense sunlight, fire, water, and moisture.**

There is a risk of explosion.

### Safety instructions for power supply

- ▶ **This power supply is not intended for use by children or persons with physical, sensory or mental limitations or a lack of experience or knowledge. This power supply can be used by children aged 8 or older and by persons who have physical, sensory or mental limitations or a lack of experience or knowledge if a person responsible for their safety supervises them or has instructed them in the safe operation of the power supply and they understand the associated dangers.** Otherwise, there is a risk of operating errors and injuries.



**Do not expose the power supply to rain or wet conditions.** Water entering the power supply will increase the risk of electric shock.

- ▶ **Keep the power supply clean.** Dirt poses a risk of electric shock.
- ▶ **Always check the power supply before use. Stop using the power supply if you discover any damage. Do not open the power supply yourself, and have it repaired only by a qualified specialist using only original replacement parts.** Damaged power supplies increase the risk of electric shock.

## Product Description and Specifications



**Read all the safety and general instructions.** Failure to observe the safety and general instructions may result in electric shock, fire and/or serious injury.

Please observe the illustrations at the beginning of this operating manual.

### Intended Use

The power tool is intended for screwing in and loosening screws.

### Product Features

The numbering of the product features refers to the diagram of the power tool on the graphics page.

- (1) Screwdriver bit<sup>A)</sup>
- (2) Tool holder
- (3) Rubber cap
- (4) Battery charge indicator
- (5) Rotational direction switch
- (6) Hole for attaching strap
- (7) Charge contacts
- (8) On/off switch
- (9) Worklight
- (10) Handle (insulated gripping surface)
- (11) Micro USB port
- (12) Charging cable
- (13) Charger
- (14) Off-set angle adapter<sup>A)</sup>
- (15) Angle screw adapter<sup>A)</sup>
- (16) Unlocking ring<sup>A)</sup>

A) **Accessories shown or described are not included with the product as standard. You can find the complete selection of accessories in our accessories range.**

## Technical Data

Cordless screwdriver		IXO
Article number		<b>3 603 JCT 0..</b>
Rated voltage	V=	3.6
No-load speed	min <sup>-1</sup>	0–215
Max. torque, hard/soft screwdriving application according to ISO 5393	Nm	3.0/4.5
Max. screw diameter	mm	5
Weight according to EPTA-Procedure 01:2014	kg	0.3
Permitted ambient temperature		
– during charging	°C	0 ... +45
– during operation <sup>A)B)</sup> and during storage	°C	-20 ... +50
<b>Battery</b>		<b>Li-ion</b>
Capacity	Ah	1.5
Energy	Wh	5.4
Number of battery cells		1
<b>Charger</b>		
Article number		2 609 120 713 (EU) 2 609 120 718 (UK) 2 609 120 717 (AUS)
max. charging time	hrs	3.5
Protection class		□ / II
<b>Charging cable</b>		
Article number		1 607 000 CG9
<b>Charging station</b>		
Article number		<b>1 600 A01 B58</b> <b>1 600 A01 AU1</b>

A) Overheat protection stops the power tool at temperatures > +65 °C.

B) Limited performance at temperatures < 0 °C

## Noise/Vibration Information

Noise emission values determined according to **EN 62841-2-2**.

Typically, the A-weighted sound pressure level of the power tool is less than 70 dB(A). The noise level when working can exceed the volume stated.

### Wear hearing protection

Vibration total values  $a_h$  (triax vector sum) and uncertainty K determined according to **EN 62841-2-2**:

Screwdriving:  $a_h = 2.5 \text{ m/s}^2$ ,  $K = 1.5 \text{ m/s}^2$

The vibration level and noise emission value given in these instructions have been measured in accordance with a standardised measuring procedure and may be used to compare power tools. They may also be used for a preliminary estimation of vibration and noise emissions.

The stated vibration level and noise emission value represent the main applications of the power tool. However, if the power tool is used for other applications, with different application tools or is poorly maintained, the vibration level and noise emission value may differ. This may significantly increase the vibration and noise emissions over the total working period.

To estimate vibration and noise emissions accurately, the times when the tool is switched off or when it is running but not actually being used should also be taken into account. This may significantly reduce vibration and noise emissions over the total working period.

Implement additional safety measures to protect the operator from the effects of vibration, such as servicing the power tool and application tools, keeping their hands warm, and organising workflows correctly.

## Assembly

### Battery Charging (see figure A)

- ▶ **Use only the chargers listed in the technical data.** Only these chargers are matched to the lithium-ion battery of your power tool.
- ▶ **Note the mains voltage!** The voltage of the power source must match the voltage specified on the rating plate of the charger. Chargers marked with 230 V can also be operated with 220 V.

**Note:** The battery is supplied partially charged. To ensure full battery capacity, fully charge the battery in the charger before using your power tool for the first time.

The lithium-ion battery can be charged at any time without reducing its service life. Interrupting the charging process does not damage the battery. The lithium-ion battery is protected against deep discharge by the "Electronic Cell Protection (ECP)". When the battery is discharged, the power tool is switched off by means of a protective circuit: The application tool no longer rotates.

- ▶ **Do not continue to press the On/Off switch after the power tool has automatically switched off.** The battery can be damaged.

#### **Battery charge indicator during operation**

The battery charge indicator **(4)** displays the state of charge of the battery when the power tool is switched on.

LED	Capacity
Continuous light 3 x green	60 – 100 %
Continuous light 2 x green	30 – 60 %
Continuous light 1 x green	10 – 30 %
Flashing light 3 x green	0 – 10 %

The battery charge indicator shuts down after 30 seconds if the power tool is not running.

To charge the battery, plug the charging cable **(12)** into the port on the bottom of the handle and into the charger **(13)**. Then plug the mains cable of the charger **(13)** into the mains socket.

#### **Battery charge indicator during charging**

The battery charge indicator **(4)** indicates the charging progress. During the charging procedure, the indicator flashes.

LED	Capacity
Slowly flashing light 1 x green	0 – 30 %
Slowly flashing light 2 x green	30 – 60 %
Slowly flashing light 3 x green	60 – 100 %
Continuous light 3 x green	100 %

During the charging process, the handle of the power tool will heat up. This is normal. If you are not planning to use the power tool again soon, disconnect the charger from the mains. The power tool cannot be used during the charging process. It is not defective if it does not work during the charging process. Follow the instructions on correct disposal.

► **Protect the charger against moisture.**

The battery charge indicator shuts down after 30 seconds if the power tool is not running.

**Changing the tool (see figure B)**

► **Do not use two-sided screwdriver bits that are longer than 25 mm.**

Insert the screwdriver bit **(1)** directly into the tool holder **(2)**.

**Off-Set Angle Adapter/Angle Screw Adapter (see figures C – F)**

**Note:** The power tool is not intended for use with the grass shears attachment (1 600 A00 10D).

You can drive in screws close to edges using the off-set angle adapter **(14)**.

The angle screw adapter **(15)** allows you to drive in screws in hard-to-reach areas.

**Assembly (see figures C – D)**

To fit the adapters, pull off the rubber cap **(3)** towards you. Then the adapters can be attached. The attachments can be mounted offset by 45° respectively.

**Removal (see figures E – F)**

To remove the attachments, turn the unlocking ring **(16)** in the rotational direction **⚙** and pull the adapter off towards you. Then reattach the rubber cap **(3)**.

## Operation

### Starting Operation

**Setting the rotational direction**

The rotational direction switch **(5)** is used to change the rotational direction of the power tool. However, this is not possible while the on/off switch **(8)** is being pressed.

► **Do not use the rotational direction switch (5) when the power tool is in operation, as this may damage it.**



**Clockwise rotation:** To drive in screws, slide the rotational direction switch (5) forward to the stop.

**Anti-clockwise rotation:** To loosen or unscrew screws, slide the rotational direction switch (5) backwards.

### Switching on/off

To **start** the power tool, press and hold the on/off switch (8).

The worklight (9) lights up when the on/off switch (8) is lightly or fully pressed, allowing the work area to be illuminated in poor lighting conditions.

To **switch off** the power tool, release the on/off switch (8).

### Adjusting the Speed

You can adjust the speed of the power tool by pressing in the on/off switch (8) to varying extents.

A light pressure on the on/off switch (8) results in a low rotational speed. Increased pressure on the switch causes an increase in speed.

### Fully automatic spindle lock (Auto-Lock)

The drill spindle, and therefore the tool holder, are locked when the on/off switch (8) is not pressed.

This allows screws to be driven in even when the battery is discharged and enables the power tool to be used as a screwdriver.

- ▶ **If the drill spindle is blocked, do not press the on/off switch (8) for longer than 15 seconds. Otherwise, the power tool may become damaged.**

### Practical advice

- ▶ **Only apply the power tool to the screw/nut when the tool is switched off.** Rotating tool inserts can slip off.

## Maintenance and Service

### Maintenance and Cleaning

- ▶ **To ensure safe and efficient operation, always keep the power tool and the ventilation slots clean.**

If the battery is no longer working, please contact an authorised after-sales service agent for **Bosch** power tools.

In order to avoid safety hazards, if the power supply cord needs to be replaced, this must be done by **Bosch** or by an after-sales service centre that is authorised to repair **Bosch** power tools.

### **After-Sales Service and Application Service**

Our after-sales service responds to your questions concerning maintenance and repair of your product as well as spare parts. You can find explosion drawings and information on spare parts at: **[www.bosch-pt.com](http://www.bosch-pt.com)**

The Bosch product use advice team will be happy to help you with any questions about our products and their accessories.

In all correspondence and spare parts orders, please always include the 10-digit article number given on the nameplate of the product.

#### **Great Britain**

Robert Bosch Ltd. (B.S.C.)

P.O. Box 98

Broadwater Park

North Orbital Road

Denham Uxbridge

UB 9 5HJ

At [www.bosch-pt.co.uk](http://www.bosch-pt.co.uk) you can order spare parts or arrange the collection of a product in need of servicing or repair.

Tel. Service: (0344) 7360109

E-Mail: [boschservicecentre@bosch.com](mailto:boschservicecentre@bosch.com)

#### **Ireland**

Origo Ltd.

Unit 23 Magna Drive

Magna Business Park

City West

Dublin 24

Tel. Service: (01) 4666700

Fax: (01) 4666888

#### **Australia, New Zealand and Pacific Islands**

Robert Bosch Australia Pty. Ltd.

Power Tools

Locked Bag 66

Clayton South VIC 3169

Customer Contact Center

**Inside Australia:**

Phone: (01300) 307044

Fax: (01300) 307045

**Inside New Zealand:**

Phone: (0800) 543353

Fax: (0800) 428570

**Outside AU and NZ:**

Phone: +61 3 95415555

[www.bosch-pt.com.au](http://www.bosch-pt.com.au)[www.bosch-pt.co.nz](http://www.bosch-pt.co.nz)**Republic of South Africa****Customer service**

Hotline: (011) 6519600

**Gauteng – BSC Service Centre**

35 Roper Street, New Centre

Johannesburg

Tel.: (011) 4939375

Fax: (011) 4930126

E-Mail: [bsctools@icon.co.za](mailto:bsctools@icon.co.za)**KZN – BSC Service Centre**

Unit E, Almar Centre

143 Crompton Street

Pinetown

Tel.: (031) 7012120

Fax: (031) 7012446

E-Mail: [bsc.dur@za.bosch.com](mailto:bsc.dur@za.bosch.com)**Western Cape – BSC Service Centre**

Democracy Way, Prosperity Park

Milnerton

Tel.: (021) 5512577

Fax: (021) 5513223

E-Mail: [bsc@zsd.co.za](mailto:bsc@zsd.co.za)**Bosch Headquarters**

Midrand, Gauteng

Tel.: (011) 6519600

Fax: (011) 6519880

E-Mail: [rbsa-hq.pts@za.bosch.com](mailto:rbsa-hq.pts@za.bosch.com)

## Transport

The contained lithium-ion batteries are subject to the Dangerous Goods Legislation requirements. The batteries are suitable for road-transport by the user without further restrictions.

When shipping by third parties (e.g.: by air transport or forwarding agency), special requirements on packaging and labelling must be observed. For preparation of the item being shipped, consulting an expert for hazardous material is required.

## Disposal



The machine, rechargeable batteries, accessories and packaging should be sorted for environmental-friendly recycling.



Do not dispose of power tools and batteries/rechargeable batteries into household waste!

### Only for EU countries:

According to the Directive 2012/19/EU, power tools that are no longer usable, and according to the Directive 2006/66/EC, defective or used battery packs/batteries, must be collected separately and disposed of in an environmentally correct manner.

### Battery packs/batteries:

#### Li-ion:

Please observe the notes in the section on transport (see "Transport", page 20).

► **Integrated batteries may only be removed for disposal by qualified personnel.** Opening the housing shell can destroy the power tool.

Before you can remove the battery from the power tool, you will need to use the power tool until the battery is completely discharged. Unscrew the screws on the housing and remove the housing shell in order to remove the battery. To prevent a short circuit, disconnect the connectors on the battery one at a time and then isolate the poles. Even when fully discharged, the battery still contains a residual capacity which can be released in case of a short circuit.

## عربي

### إرشادات الأمان

**إرشادات العامة للأمان بالعدد الكهربائية**  
**⚠ تحذير** اطلع على كافة تحذيرات الأمان والتعليمات والصور والموصفات المرفقة بالعدة الكهربائية. عدم اتباع التعليمات الواردة أدناه قد يؤدي إلى حدوث صدمة كهربائية، إلى نشوب حريق و/أو الإصابة بجروح خطيرة.

**احتفظ بجميع الملاحظات التحذيرية والتعليمات للمستقبل.**  
 يقصد بمصطلح «العدة الكهربائية» المستخدم في الملاحظات التحذيرية، العدد الكهربائي الموصولة بالشبكة الكهربائية (بواسطة كابل الشبكة الكهربائية) وأيضاً العدد الكهربائي المزودة بمركم (دون كابل الشبكة الكهربائية).

#### الأمان بمكان الشغل

- ◀ حافظ على نظافة مكان شغلك وإضاءته بشكل جيد.  
 الفوضى في مكان الشغل ونطاقات العمل غير المضاءة قد تؤدى إلى وقوع الحوادث.
- ◀ لا تشغل بالعدة الكهربائية في نطاق معرض لخطر الانفجار مثل الأماكن التي تتوفر فيه السوائل أو الغازات أو الأغبرة القابلة للاشتعال، العدد الكهربائي تولد شرراً قد يتطاير، فيشعل الأغبرة والأبخرة.
- ◀ حافظ على بقاء الأطفال وغيرهم من الأشخاص بعيداً عندما تستعمل بالعدة الكهربائية. تشتيت الانتباه قد يتسبب في فقدان السيطرة على الجهاز.

#### الأمان الكهربائي

- ◀ يجب أن يتلائم قابس العدة الكهربائية مع المقبس. لا يجوز تغيير القابس بأي حال من الأحوال. لا تستعمل القوايس المهائية مع العدد الكهربائية المؤرضة (ذات طرف أرضي). تخفّض القوايس التي لم يتّده تغييرها والمقابس الملائمة من خطر الصدمات الكهربائية.

- ◀ **تجنب ملامسة جسمك للأسطح المؤرّضة كالأنابيب والمبردات والمواقد أو التلّاجات.** يزداد خطر الصدمات الكهربائية عندما يكون جسمك مؤرّض أو موصل بالأرضي.
  - ◀ **أبعد العدة الكهربائية عن الأمطار أو الرطوبة.** يزداد خطر الصدمات الكهربائية إن تسرب الماء إلى داخل العدة الكهربائية.
  - ◀ **لا تسئ استعمال الكابل.** لا تستخدم الكابل في حمل العدة الكهربائية أو سحبها أو سحب القابس من المقبس. احرص على إبعاد الكابل عن الحرارة والزيت والحواف الحادة أو الأجزاء المتحركة. تزيد الكابلات التالفة أو المتشابهة من خطر الصدمات الكهربائية.
  - ◀ **عند استخدام العدة الكهربائية خارج المنزل اقتصر على استخدام كابلات التمديد الصالحة للاستعمال الخارجي.** يقلل استعمال كابل تمديد مخصص للاستعمال الخارجي من خطر الصدمات الكهربائية.
  - ◀ **إن لم يكن بالإمكان تجنب تشغيل العدة الكهربائية في الأجواء الرطبة، فاستخدم مفتاح للوقاية من التيار المتخلف.** إن استخدام مفتاح للوقاية من التيار المتخلف يقلل خطر الصدمات الكهربائية.
- ### أمان الأشخاص
- ◀ **كن يقظا وانتبه إلى ما تفعله واستخدم العدة الكهربائية بتعقل.** لا تستخدم عدة كهربائية عندما تكون متعبا أو عندما تكون تحت تأثير المخدرات أو الكحول أو الأدوية. عدم الانتباه للحظة واحدة عند استخدام العدة الكهربائية قد يؤدي إلى إصابات خطيرة.
  - ◀ **قم لارتداء تجهيزات الحماية الشخصية.** وارتد دائما نظارات واقية. يحد ارتداء تجهيزات الحماية الشخصية، كقناع الوقاية من الغبار وأحذية الأمان الواقية من الانزلاق والخوذ أو واقية الأذنين، حسب ظروف استعمال العدة الكهربائية، من خطر الإصابة بجروح.
  - ◀ **تجنب التشغيل بشكل غير مقصود.** تأكد من كون العدة الكهربائية مطفأة قبل توصيلها بالتيار الكهربائي و/أو بالمركب، وقبل رفعها أو حملها. إن كنت تضع إصبعك على المفتاح أثناء حمل العدة الكهربائية أو إن وصلت الجهاز بالشبكة الكهربائية بينما لامفتاح على وضع التشغيل، قد يؤدي إلى وقوع الحوادث.

- ◀ **انزع أداة الضبط أو مفتاح الربط قبل تشغيل العدة الكهربائية.** قد تؤدي الأداة أو المفتاح المتواجد في جزء دوار من الجهاز إلى الإصابة بجروح.
- ◀ **تجنب أوضاع الجسم غير الطبيعية.** قف بأمان وحافظ على توازنك دائماً. سيسمح لك ذلك بالتحكم في الجهاز بشكل أفضل في المواقف الغير متوقعة.
- ◀ **قم بارتداء ثياب مناسبة.** لا ترتد الثياب الفضفاضة أو الملى. احرص على إبقاء الشعر والملابس بعيداً عن الأجزاء المتحركة. قد تشابك الثياب الفضفاضة والملى والشعر الطويل بالأجزاء المتحركة.
- ◀ **إن جاز تركيب تجهيزات شفط وتجميع الغبار، فتأكد من أنها موصولة وبأنه يتم استخدامها بشكل سليم.** قد يقلل استخدام تجهيزات لشفط الغبار من المخاطر الناتجة عن الغبار.
- ◀ **لا تستخدم العدة الكهربائية بلا مبالاة وتتجاهل قواعد الأمان الخاصة بها نتيجة لتعودك على استخدام العدة الكهربائية وكثرة استخدامها.** فقد يتسبب الاستخدام دون حرص في حدوث إصابة بالغة تحدث في أجزاء من الثانية.
- حسن معاملة واستخدام العدد الكهربائية**
  - ◀ **لا تفرط بتمويل الجهاز.** استخدم لتنفيذ أشغالك العدة الكهربائية المخصصة لذلك. إنك تعمل بشكل أفضل وأكثر أماناً بواسطة العدة الكهربائية الملائمة في مجال الأداء المذكور.
  - ◀ **لا تستخدم العدة الكهربائية إن كان مفتاح تشغيلها تالف.** العدة الكهربائية التي لم يعد من الممكن التحكم بها عن طريق مفتاح التشغيل والإطفاء تعتبر خطيرة ويجب أن يتم إصلاحها.
  - ◀ **اسحب القاس من المقبس و/أو اخلع المرمك، إذا كان قابلاً للخلع، قبل ضبط الجهاز وقبل استبدال الملحقات أو قبل تخزين الجهاز.** تمنع هذه الإجراءات وقائية تشغيل العدة الكهربائية بشكل غير مقصود.
  - ◀ **احتفظ بالعدد الكهربائية التي لا يتم استخدامها بعيداً عن متناول الأطفال.** لا تسمح باستخدام العدة الكهربائية لمن لا خبرة له بها أو لمن لم يقرأ تلك التعليمات. العدد الكهربائية خطيرة إن تم استخدامها من قبل أشخاص دون خبرة.
  - ◀ **اعتن بالعدة الكهربائية والملحقات بشكل جيد.** تأكد أن أجزاء الجهاز المتحركة مركبة بشكل سليم وغير مستعصية عن الحركة، وتفحص ما إن كانت هناك أجزاء مكسورة أو في حالة تؤثر على سلامة أداء العدة الكهربائية. ينبغي

إصلاح هذه الأجزاء التالفة قبل إعادة تشغيل الجهاز. الكثير من الحوادث مصدرها العدد الكهربائية التي تتم صيانتها بشكل رديء.

- ◀ **احرص على إبقاء عدد القطع نظيفة وحادة.** إن عدد القطع ذات حواف القطع المادة التي تتم صيانتها بعناية تتكلم بشكل أقل ويمكن توجيهها بشكل أسير.
- ◀ **استخدم العدد الكهربائية والتوابع وريش الشغل إلخ.** وفقا لهذه التعليمات. تراعى أثناء ذلك ظروف الشغل والعمل المراد تنفيذه. استخدام العدد الكهربائية لغير الأشغال المخصصة لأجلها قد يؤدي إلى حدوث الحالات الخطيرة.
- ◀ **احرص على إبقاء المقابض وأسطح المسك جافة ونظيفة وخالية من الزيوت والشحوم.** المقابض وأسطح المسك الزلقة لا تتبع التشغيل والتحكم الأمن في العدة في المواقف غير المتوقعة.

### حسن معاملة واستخدام العدد المزودة بمركم

- ◀ **اشحن المراكم فقط في أجهزة الشحن التي يُنصح باستخدامها من طرف المنتج.** قد يتسبب جهاز الشحن المخصصة لنوع معين من المراكم في خطر الحريق إن تم استخدامه مع نوع آخر من المراكم.
- ◀ **استخدم العدد الكهربائية فقط مع المراكم المصممة لهذا الغرض.** قد يؤدي استخدام المراكم الأخرى إلى إصابات وإلى خطر نشوب الحرائق.
- ◀ **حافظ على إبعاد المرمك الذي لا يتم استعماله عن مشابك الورك وقطع النقود المعدنية والمفاتيح والمسامير واللواب أو غيرها من الأغراض المعدنية الصغيرة التي قد تقوم بتوصيل الملامسين ببعضهما البعض.** قد يؤدي تقصير الدارة الكهربائية بين ملامسي المرمك إلى الاحتراق أو إلى اندلاع النار.
- ◀ **قد يتسرب السائل من المرمك في حالة سوء الاستعمال.** تجنب ملامسته. اشطفه بالماء في حال ملامسته بشكل غير مقصود. إن وصل السائل إلى العينين، فراجع الطبيب إضافة إلى ذلك. قد يؤدي سائل المرمك المتسرب إلى تهيج البشرة أو إلى الاحتراق.
- ◀ **لا تستخدم عدة أو مرمك تعرضا لأضرار أو للتعديل.** البطاريات المتعرضة لأضرار أو لتعدلات قد ينتج عنها أشياء لا يمكن التنبؤ بها، قد تسبب نشوب حريق أو حدوث انفجار أو إصابات.



- ◀ لا تعرض المرمك أو العدة للهب أو لدرجة حرارة زائدة. يتعرض للهب أو لدرجة حرارة أعلى من 130 °م قد يتسبب في انفجار.
- ◀ اتبع تعليمات الشحن ولا تقم بشحن المرمك أو العدة خارج نطاق درجة الحرارة المحدد في التعليمات. الشحن بشكل غير صحيح أو في درجات حرارة خارج النطاق المحدد قد يعرض المرمك لأضرار ويزيد من مخاطر الحريق.

### الخدمة

- ◀ احرص على إصلاح عدتك الكهربائية فقط بواسطة العمال المتخصصين وباستعمال قطع الغيار الأصلية فقط. يضمن ذلك المحافظة على أمان الجهاز.
- ◀ لا تقم بإجراء أعمال خدمة على المراكم التالفة. أعمال الخدمة على المراكم يجب أن تقوم بها الجهة الصانعة فقط أو مقدم الخدمة المعتمد.


### تعليمات الأمان لمفكات اللوالب

- ◀ أمسك العدة الكهربائية من أسطح المسك المعزولة عند القيام بأعمال قد يترتب عليها ملامسة أداة الربط لأسلاك كهربائية غير ظاهرة. قد يتسبب تلامس أداة الربط مع سلك «مكهرب» في مرور التيار في الأجزاء المعدنية من العدة وجعلها مكهربة مما قد يصيب المشغل بصدمة كهربائية.
  - ◀ استخدم أجهزة تنقيب ملائمة للعثور على خطوط الامداد غير الظاهرة، أو استعن بشركة الامداد المحلية. ملامسة الخطوط الكهربائية قد تؤدي إلى اندلاع النار وإلى الصدمات الكهربائية. حدوث أضرار بخط الغاز قد يؤدي إلى حدوث انفجارات. اختراق خط الماء يتسبب في وقوع أضرار مادية.
  - ◀ أمسك بالعدة الكهربائية بإحكام. قد تشكل عزوم رد فعل عالية لوهلة قصيرة عند إحكام شد وحل اللوالب.
  - ◀ احرص على تأمين قطعة الشغل. قطعة الشغل المثبتة بواسطة تجهيزة شد أو بواسطة الملزمة مثبتة بأمان أكبر مما لو تم الإمساك بها بواسطة يدك.
  - ◀ انتظر إلى أن تتوقف العدة الكهربائية عن الحركة قبل أن تضعها جانباً. قد تتكلم عدة الشغل فتؤدي إلى فقدان السيطرة على العدة الكهربائية.
- احم المرمك من الحرارة، بما فيه التعرض لأشعة الشمس باستمرار ومن النار والماء والرطوبة. قد يتشكل خطر الانفجار.



## إرشادات الأمان

◀ وحدة تحويل القدرة بالقياس هذه غير مخصصة لاستعمال الأطفال والأشخاص الذين يعانون من نقص في القدرات البدنية أو الحسية أو العقلية أو الذين ليست لديهم الدراية والمعرفة. لا يمكن استخدام وحدة تحويل القدرة بالقياس هذه من قبل الأطفال من 8 سنوات فأكثر، بالإضافة للأشخاص الذين يعانون من نقص في القدرات البدنية أو الحسية أو العقلية أو الذين ليست لديهم الدراية والمعرفة، إلا في حالة الإشراف عليهم من قبل شخص مسؤول عن سلامتهم أو إذا تم إرشادهم إلى كيفية التعامل الآمن مع وحدة تحويل القدرة بالقياس، وإلى الأخطار المرتبطة بها. وإلا فسيكون هناك خطر نتيجة للاستخدام بشكل خاطئ وقد يتعرضون لإصابات.

أبعد  وحدة تحويل القدرة بالقياس عن الأمطار أو الرطوبة. يزداد خطر الصدمات الكهربائية إن تسرب الماء إلى داخل وحدة تحويل القدرة بالقياس.

◀ حافظ على نظافة وحدة تحويل القدرة بالقياس. حيث يكون هناك خطر حدوث صدمة كهربائية من جراء تعرضها للاتساخ.

◀ افحص وحدة تحويل القدرة بالقياس قبل كل استخدام. لا تستخدم وحدة تحويل القدرة بالقياس إذا اكتشفت وجود أضرار بها. لا تمتع وحدة تحويل القدرة بالقياس بنفسك ولا تقم بإصلاحها إلا لدى فنيين متخصصين مؤهلين مع الاقتصر على استخدام قطع الغيار الأصلية. تزيد وحدات تحويل القدرة بالقياس التالفة من خطر التعرض لصدمة كهربائية.

## وصف المنتج والأداء

اقرأ جميع إرشادات الأمان والتعليمات. إن ارتكاب الأخطاء عند تطبيق إرشادات الأمان والتعليمات، قد يؤدي إلى حدوث صدمات كهربائية خطيرة.



أو إلى نشوب الحرائق و/أو الإصابة بجروح خطيرة. يرجى الرجوع إلى الصور الموجودة في الجزء الأول من دليل التشغيل.

## الاستعمال المخصص

لقد خصصت العدة الكهربائية لربط وفك اللوالب.

### الأجزاء المصورة

يشير ترقيم الأجزاء المصورة إلى رسوم العدة الكهربائية الموجودة في صفحة الرسوم التخطيطية.

- (1) لقمة ربط لوالب<sup>(A)</sup>
- (2) حاضن العدة
- (3) غطاء مطاطي
- (4) مبيّن حالة شحن المرمك
- (5) مفتاح تمويل اتجاه الدوران
- (6) عروة تعليق
- (7) ملامسات الشحن
- (8) مفتاح التشغيل والإطفاء
- (9) ضوء العمل
- (10) مقبض (موضع مسك معزول)
- (11) مقبس USB مايكرو
- (12) كابل الشحن
- (13) الشاحن
- (14) الملحق اللا تمركزي<sup>(A)</sup>
- (15) الملحق الزاوي<sup>(A)</sup>
- (16) حلقة فك الإقفال<sup>(A)</sup>

(A) لا يتضمن إطار التوريد الاعتيادي التوابع المصورة أو المشروحة. تجد التوابع الكاملة في برنامجنا للتوابع.

### البيانات الفنية

مفك آلي بمركم		IXO
رقم الصنف		3 603 JC7 0..
الجهد الاسمي	فلط =	3,6
عدد اللفات اللاحمي	دقيقة <sup>-1</sup>	0-215

مفك آلي بمركم IXO		
3.0/4.5	نيوتن متر	عزم الدوران الأقصى بحالة ربط لوالب قاسية/ليننة حسب ISO 5393
5	مم	القطر الأقصى للوالب
0,3	كجم	الوزن حسب EPTA-Procedure 01:2014
درجة الحرارة المحيطة المسموح بها		
0 ... +45	م°	- عند الشحن
-20 ... +50	م°	- عند التشغيل <sup>(BA)</sup> وعند التخزين
<b>أيونات الليثيوم</b>		
1,5	أمبير ساعة	السعة
5,4	واط ساعة	الطاقة
1		عدد خلايا المركم
<b>الشاحن</b>		
2 609 120 713 (EU)		رقم الصنف
2 609 120 718 (UK)		
2 609 120 717 (AUS)		
3,5	ساعة	أقصى مدة شحن
II/□		فئة الحماية
<b>كابيل الشحن</b>		
1 607 000 CG9		رقم الصنف
<b>وحدة شحن</b>		
1 600 A01 B58		رقم الصنف
1 600 A01 AU1		
(A) تقوم خاصية الحماية من السخونة المفرطة بإيقاف العدة الكهربائية في درجات الحرارة < 65+ م°.		
(B) قدرة محدودة في درجات الحرارة > 0 م°		

## التركيب

### شحن المرمك (انظر الصورة A)

◀ **اقتصر على استخدام أجهزة الشحن المذكورة في المواصفات الفنية.** أجهزة الشحن هذه دون غيرها هي المتوافمة مع مرمك أيونات الليثيوم المستخدم في عدتك الكهربائية.

◀ **انتبه إلى جهد الشبكة الكهربائية!** يجب أن يتطابق جهد منبع التيار مع المعلومات المذكورة على لافتة طراز جهاز الشحن. يمكن أن يتم تشغيل أجهزة الشحن المحددة بجهد 230 فلت و 220 فلت أيضا.

**ملحوظة:** يتم تسليم المرمك وهو بحالة شحن جزئي. لضمان قدرة أداء المرمك الكاملة، يتوجب شحن المرمك في تجهيزة الشحن بشكل كامل قبل الاستعمال لأول مرة.

يمكن أن يتم شحن مرمك أيونات الليثيوم في أي وقت، دون أن يقلل ذلك من فترة صلاحيته. لا يتسبب قطع عملية الشحن في الإضرار بالمرمك.

لقد تم وقاية مرمك أيونات الليثيوم من التفرغ الشديد بواسطة واقية الخلايا الإلكترونية، "Electronic Cell Protection (ECP)". يتم إطفاء العدة الكهربائية بواسطة قارئة وقائية عندما يفرغ المرمك؛ لن تتحرك عدة الشغل عندئذ.

◀ **لا تتابع الضغط على مفتاح التشغيل والإطفاء بعد انطفاء العدة الكهربائية بشكل الي.** فقد يتلف المرمك.

### مبين حالة شحن المرمك أثناء التشغيل

يشير مبين حالة شحن المرمك (4) إلى حالة الشحن عندما تكون العدة الكهربائية مشغلة.

السعة	لمبة LED
60 - 100 %	ضوء مستمر 3 x أخضر
30 - 60 %	ضوء مستمر 2 x أخضر
10 - 30 %	ضوء مستمر 1 x أخضر
0 - 10 %	ضوء وماض 3 x أخضر

ينطق: مبين حالة شحن المرمك بعد 30 ثانية في حالة عدم تشغيل العدة الكهربائية.

للشحن ضع كابل الشحن (12) في المقبس بالجانب السفلي للمقبض وجهاز الشحن (13). ثم أدخل قابس الكهرباء الخاص بجهاز الشحن (13) في المقبس.

### مبين حالة شحن المركم أثناء الشحن

يشير مابين حالة شحن المركم (4) إلى مدى تقدم عملية الشحن. أثناء عملية الشحن يومض المبين.

السعة	لمبة LED
0-30 %	ضوء وماض بطيء 1 x أخضر
30-60 %	ضوء وماض بطيء 2 x أخضر
60-100 %	ضوء وماض بطيء 3 x أخضر
100 %	ضوء مستمر 3 x أخضر

أثناء الشحن يتعرض المقبض اليدوي بالعدة الكهربائية للسخونة. وهذا الأمر طبيعي. يرجى فصل جهاز الشحن عن الشبكة الكهربائية عند عدم الاستعمال لفترة طويلة. لا يمكن استخدام العدة الكهربائية أثناء عملية الشحن، أي أنها غير مصابة بتلف إن لم تكن تعمل أثناء عملية الشحن. تراعى الملاحظات الخاصة بالتخلص من العدد.

### ◀ حماية الشاحن من الرطوبة!

ينطفئ مابين حالة شحن المركم بعد 30 ثانية في حالة عدم تشغيل العدة الكهربائية.

### استبدال العدد (انظر الصورة B)

◀ لا تستخدم لقم ربط اللوالب المزدوجة التي يزيد طولها عن 25 مم.

قم بتركيب لقمة مفك البراغي (1) في حاضن العدة مباشرة (2).

### ملحق الكامة اللامركزية/الملحق الزاوي (انظر الصور F - C)

**إرشاد:** العدة الكهربائية غير مناسبة للاستخدام مع ملحق قص الحشائش (1 600 A00 10D).

يسمح لك الملحق اللامركزي (14) بربط اللوالب قرب الحواف. يسمح لك الملحق الزاوي (15) بربط اللوالب بالأماكن صعبة المنال.

### التركيب (انظر الصور D - C)

لكي تقوم بتركيب الملحقات ينبغي أن تفك الغطاء المطاطي (3) بسحبه نحو الأمام. يمكنك الآن أن تتركب الملحقات من خلال كبسها. كما يمكن تركيب الملحقات بعد إدارتها بمقدار 45° في كل مرة.

**الفك (انظر الصور E - F)**

لكي تقوم بفك الملحقات ينبغي أن تفتل حلقة فك الإقفال (16) باتجاه الدوران ❶ وأن تسحب الملحق نحو الأمام. قم بتركيب الغطاء المطاطي (3) بعد ذلك من خلال كبسه.

**التشغيل****بدء التشغيل****ضبط اتجاه الدوران**

يمكنك أن تغير اتجاه دوران العدة الكهربائية (5) بواسطة مفتاح تغيير اتجاه الدوران. إلا أنه لا يمكن تغييره عندما يكون مفتاح التشغيل والإطفاء (8) مضغوطاً.

❖ لا تضغط على مفتاح تحويل اتجاه الدوران (5) إلا والعدة الكهربائية متوقفة. وإلا فقد تحدث أضرار.

**دوران اليمين:** لربط اللوالب حرك مفتاح تحويل اتجاه الدوران (5) إلى الأمام حتى النهاية.

**دوران إلى اليسار:** لحل أو فك اللوالب حرك مفتاح تحويل اتجاه الدوران (5) إلى الخلف.

**التشغيل والإطفاء**

لغرض تشغيل العدة الكهربائية اضغط على مفتاح التشغيل والإطفاء (8) وحافظ على إبقائه مضغوطاً.

يضيء مصباح العمل (9) عند الضغط على مفتاح التشغيل والإطفاء (8) بشكل جزئي أو كامل ويسمع بإضاءة مكان الشغل إن كانت ظروف الإضاءة غير ملائمة.

لغرض إطفاء العدة الكهربائية اترك مفتاح التشغيل والإطفاء (8).

**ضبط عدد الدوران**

يمكنك أن تتحكم بعدد دوران العدة الكهربائية دون تدرج، حسب مدى الضغط على مفتاح التشغيل والإطفاء (8).

يؤدي الضغط الخفيف على مفتاح التشغيل والإطفاء (8) إلى عدد لقات منخفض. يزداد عدد اللقات بزيادة الضغط.

**تثبيت آلي كامل لمحور الدوران (إقفال آلي)**

عند عدم الضغط على مفتاح التشغيل والإطفاء (8) يتم تثبيت محور دوران المثقاب وبذلك حاضن العدة أيضاً.

ويسمى ذلك بربط اللوالب حتى لو كان المركب فارغ أو باستخدام العدة الكهربائية بمثابة مفك براغي اعتيادي.

◀ لا تضغط على مفتاح التشغيل والإطفاء (8) لمدة تزيد عن 15 ثانية عند استعصاء محور دوران المثقاب. وإلا، فقد تتعرض العدة الكهربائية للضرر.

### إرشادات العمل

◀ ضع العدة الكهربائية على اللولب/الصامولة فقط عندما تكون مطفأة. إن عدد الشغل الدوارة قد تنزلق.

## الصيانة والخدمة

### الصيانة والتنظيف

◀ للعمل بشكل جيد وآمن حافظ دائمًا على نظافة العدة الكهربائية وفتحات التهوية.

يرجى التوجه إلى مركز خدمة عملاء معتمد لوكالة Bosch للعدد الكهربائية، إن لم يعد المركب صالحا للعمل.

إذا تطلب الأمر استبدال خط الإمداد، فينبغي أن يتم ذلك من قبل شركة Bosch أو من قبل مركز خدمة الزبائن المعتمد لشركة Bosch للعدد الكهربائية، لتجنب التعرض للمخاطر.

### خدمة العملاء واستشارات الاستخدام

يجب مركز خدمة العملاء على الأسئلة المتعلقة بإصلاح المنتج وصيانتته، بالإضافة لقطع الغيار. تجد الرسوم التفصيلية والمعلومات الخاصة بقطع الغيار في الموقع: [www.bosch-pt.com](http://www.bosch-pt.com)

يسر فريق Bosch لاستشارات الاستخدام مساعدتك إذا كان لديك أي استفسارات بخصوص منتجاتنا وملحقاتها.

يلزم ذكر رقم الصنف ذو الفئات العشر وفقا للوحة صنع المنتج عند إرسال أية استفسارات أو طلبيات قطع غيار.

### النقل

تخضع مراكم إيونات الليثيوم المركبة لأحكام قانون المواد الخطيرة. يسمح للمستخدم أن يقوم بنقل المراكم على الطرقات دون التقيد بأية شروط إضافية.

عندما يتم إرسالها عن طريق طرف آخر (مثلا: الشمن الجوي أو شركة شحن)، يتوجب التقيد بشروط خاصة بصدد التغليف ووضع



العلامات. ينبغي استشارة خبير متخصص بنقل المواد الخطيرة عندما يرغب بتحضير المركم المراد شحنه في هذه الحالة.

## التخلص من العدة الكهربائية

يجب التخلص من العدة الكهربائية والمركم والتوابع والتغليف بطريقة صديقة للبيئة عن طريق النفايات القابلة لإعادة التصنيع.



لا تلقِ العدة الكهربائية والمراكم/البطاريات ضمن النفايات المنزلية!



### فقط لدول الاتحاد الأوروبي:

حسب التوجيه الأوروبي 2012/19/EU، يجب أن يتم جمع العدة الكهربائية غير الصالحة للاستعمال، وحسب التوجيه الأوروبي 2006/66/EC يجب أن يتم جمع المراكم/البطاريات التالفة أو المستهلكة كل على حدة ليتم التخلص منها بطريقة محافظة على البيئة عن طريق تسليمها لمراكز النفايات القابلة لإعادة التصنيع.

### المراكم/البطاريات:

#### مراكم أيونات الليثيوم:

يرجى مراعاة الإرشادات الواردة في جزء النقل (انظر „النقل“، الصفحة 32).

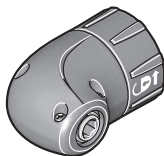
◀ لا يجوز إخراج المراكم المدمجة للتخلص منها إلا من قبل فنيين متخصصين. فقد يتسبب فتح غطاء جسم الجهاز في إتلاف العدة الكهربائية.

إخراج المركم من العدة الكهربائية استمر في الضغط على العدة الكهربائية إلى أن تفرغ شحنة المركم بالكامل. قم بفك اللوالب الموجودة بجسم الجهاز واخلع غطاء جسم الجهاز لإخراج المركم. لمنع حدوث دائرة قصر قم بفصل أطراف توصيل المركم كل على حدة بشكل متتالي، ثم اعزل الأقطاب. حتى مع الفراغ الكامل لشحنة البطارية توجد قدرة متبقية في المركم، يمكن أن تتحرر في حالة دائرة القصر.

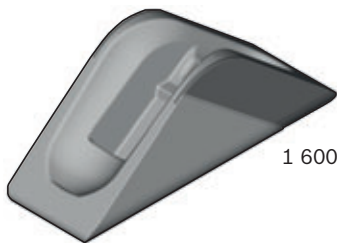




1 600 A00 1YA



1 600 A00 1Y8



1 600 A01 PW2



<b>de</b>	<b>EU-Konformitätserklärung</b>		Wir erklären in alleiniger Verantwortung, dass die genannten Produkte allen einschlägigen Bestimmungen der nachfolgend aufgeführten Richtlinien und Verordnungen entsprechen und mit folgenden Normen übereinstimmen. Technische Unterlagen bei: *
	<b>Akku-Schrauber</b>	Sachnummer	
<b>en</b>	<b>EU Declaration of Conformity</b>		We declare under our sole responsibility that the stated products comply with all applicable provisions of the directives and regulations listed below and are in conformity with the following standards. Technical file at: *
	<b>Cordless Screwdriver</b>	Article number	
<b>fr</b>	<b>Déclaration de conformité UE</b>		Nous déclarons sous notre propre responsabilité que les produits décrits sont en conformité avec les directives, règlements normatifs et normes énumérés ci-dessous. Dossier technique auprès de : *
	<b>Visseuse sans fil</b>	N° d'article	
<b>es</b>	<b>Declaración de conformidad UE</b>		Declaramos bajo nuestra exclusiva responsabilidad, que los productos nombrados cumplen con todas las disposiciones correspondientes de las Directivas y los Reglamentos mencionados a continuación y están en conformidad con las siguientes normas. Documentos técnicos de: *
	<b>Atornilladora accionada por acumulador</b>	Nº de artículo	
<b>pt</b>	<b>Declaração de Conformidade UE</b>		Declaramos sob nossa exclusiva responsabilidade que os produtos mencionados cumprem todas as disposições e os regulamentos indicados e estão em conformidade com as seguintes normas. Documentação técnica pertencente à: *
	<b>Aparafusadora sem fio</b>	N.º do produto	
<b>it</b>	<b>Dichiarazione di conformità UE</b>		Dichiariamo sotto la nostra piena responsabilità che i prodotti indicati sono conformi a tutte le disposizioni pertinenti delle Diretti-

	<b>Avvitatore a batteria</b>	Codice prodotto	ve e dei Regolamenti elencati di seguito, nonché alle seguenti Normative. Documentazione Tecnica presso: *
<b>nl</b>	<b>EU-conformiteitsverklaring</b>		Wij verklaren op eigen verantwoordelijkheid dat de genoemde producten voldoen aan alle desbetreffende bepalingen van de hierna genoemde richtlijnen en verordeningen en overeenstemmen met de volgende normen. Technisch dossier bij: *
	<b>Accuschroevendraai-er</b>	Productnummer	
<b>da</b>	<b>EU-overensstemmelse- serklæring</b>		Vi erklærer som eneansvarlige, at det beskrevne produkt er i overensstemmelse med alle gældende bestemmelser i følgende direktiver og forordninger og opfylder følgende standarder. Tekniske bilag ved: *
	<b>Akkuskrue-trækker</b>	Typenummer	
<b>sv</b>	<b>EU-konformitetsförklaring</b>		Vi förklarar under eget ansvar att de nämnda produkterna uppfyller kraven i alla gällande bestämmelser i de nedan angivna direktiven och förordningarnas och att de stämmer överens med följande normer. Teknisk dokumentation: *
	<b>Sladdlös skruvdragare</b>	Produktnummer	
<b>no</b>	<b>EU-samsvarserklæring</b>		Vi erklærer under eneansvar at de nevnte produktene er i overensstemmelse med alle relevante bestemmelser i direktivene og forordningene nedenfor og med følgende standarder. Teknisk dokumentasjon hos: *
	<b>Akkuskrutrekker</b>	Produktnummer	
<b>fi</b>	<b>EU-vaatimustenmukaisuusvakuutus</b>		Vakuutamme täten, että mainitut tuotteet vastaavat kaikkia seuraavien direktiivien ja asetusten asiaankuuluvia vaatimuksia ja ovat seuraavien standardien vaatimusten mukaisia. Tekniset asiakirjat saatavana: *
	<b>Akkuväinvinväännin</b>	Tuotenumero	
<b>el</b>	<b>Δήλωση πιστότητας ΕΕ</b>		Δηλώνουμε με αποκλειστική μας ευθύνη, ότι τα αναφερόμενα προϊόντα αντιστοιχούν σε όλες τις σχετικές διατάξεις των πιο κάτω

	<b>Δραπανοκ ατσάβιδο μπαταρίας</b>	Αριθμός ευρετηρίου	αναφερόμενων οδηγιών και κανονισμών και ταυτίζονται με τα ακόλουθα πρότυπα. Τεχνικά έγγραφα στη: *
<b>tr</b>	<b>AB Uygunluk beyanı</b>		Tek sorumlu olarak, tanımlanan ürünün aşağıdaki yönetmelik ve direktiflerin geçerli bütün hükümlerine ve aşağıdaki standartla- ra uygun olduğunu beyan ederiz. Teknik belgelerin bulunduğu yer: *
	<b>Akülü vi- dalama makinesi</b>	Ürün kodu	
<b>pl</b>	<b>Deklaracja zgodności UE</b>		Oświadczamy z pełną odpowiedzialnością, że niniejsze produkty odpowiadają wszyst- kim wymaganiom poniżej wyszczegół- nionych dyrektyw i rozporządzeń, oraz że są zgodne z następującymi normami. Dokumentacja techniczna: *
	<b>Wkrętar- ka akumula- torowa</b>	Numer kata- logowy	
<b>cs</b>	<b>EU prohlášení oshodě</b>		Prohlašujeme na výhradní zodpovědnost, že uvedený výrobek splňuje všechna příslušná ustanovení níže uvedených směrnic anařízení a je v souladu následujícími nor- mami: Technické podklady u: *
	<b>Aku- mulátoro- vý šroubovák</b>	Objednací číslo	
<b>sk</b>	<b>EÚ vyhlásenie ozhode</b>		Vyhlasujeme na výhradnú zodpovednosť, že uvedený výrobok spĺňa všetky príslušné ustanovenia nižšie uvedených smerníc a- riadení a je v súlade s nasledujúcimi norma- mi: Technické podklady má spoločnosť: *
	<b>Aku- mulátoro- vý skrutko- vač</b>	Vecné číslo	
<b>hu</b>	<b>EU konformitási nyilat- kozat</b>		Egyedüli felelősséggel kijelentjük, hogy a megnevezett termék megfelelnek az aláb- biakban felsorolásra kerülő irányelvek és rendeletek valamennyi idevágó előírásainak és megfelelnek a következő szabványoknak. Műszaki dokumentumok megőrzési pontja: *
	<b>Akku- mulátoros csavaro- zógép</b>	Cikkszám	
<b>ru</b>	<b>Заявление о соответствии ЕС</b>		Мы заявляем под нашу единоличную ответственность, что названные продукты соответствуют всем


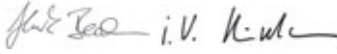
	<b>Акумуляторный шурупверт</b> Товарный №	действующим предписаниям нижеуказанных директив и распоряжений, а также нижеуказанных норм. Техническая документация хранится у: *
uk	<b>Заява про відповідність ЄС</b> <b>Акумуляторний шурупверт</b> Товарний номер	Мизаявляємо під нашу одноособову відповідальність, що названі вироби відповідають усім чинним положенням нищеозначених директив і розпоряджень, а також нищеозначеним нормам. Технічна документація зберігається у: *
kk	<b>ЕО сәйкестік мағлұмдамасы</b> <b>Акумуляторлы бұрауыш</b> Өнім нөмірі	Өз жауапкершілікпен біз аталған өнімдер төменде жзылған директикалар мен жарлықтардың тиісті қағидаларына сәйкестігін және төмендегі нормаларға сай екенін білдіреміз. Техникалық құжаттар: *
ro	<b>Declarație de conformitate UE</b> <b>Mașină de găurit și înșurubat cu acumulator</b> Număr de identificare	Declaram pe proprie răspundere că produsele menționate corespund tuturor dispozițiilor relevante ale directivelor și reglementărilor enumerate în cele ce urmează și sunt în conformitate cu următoarele standarde. Documentație tehnică la: *
bg	<b>ЕС декларация за съответствие</b> <b>Акумуляторен винтоверт</b> Каталоген номер	С пълна отговорност ние декларираме, че посочените продукти отговарят на всички валидни изисквания на директивите и разпоредбите по-долу и съответства на следните стандарти. Техническа документация при: *
mk	<b>EU-Изјава за сообразност</b>	Со целосна одговорност изјавуваме, дека опишаните производи се во согласност со сите релевантни одредби на следните регулативи и прописи и се во согласност



	<b>Батериск и одвртувач</b>	Број на дел/ артикл	со следните норми. Техничка документација кај: *
<b>sr</b>	<b>EU-izjava o usaglašenosti</b>		Na spovstvenu odgovornost izjavljujemo, da navedeni proizvodi odgovaraju svim dotičnim odredbama naknadno navedenih smernica u uredaba i da su u skladu sa sledećim standardima. Tehnička dokumentacija kod: *
	<b>Akku-odvrtač</b>	Број предмета	
<b>sl</b>	<b>Izjava o skladnosti EU</b>		Izjavljamo pod izključno odgovornostjo, da je omenjen izdelek v skladu z vsemi relevantnimi določili direktiv in uredb ter ustrezno naslednjim standardom. Tehnična dokumentacija pri: *
	<b>Akumulatorski vijajnik</b>	Številka artikla	
<b>hr</b>	<b>EU izjava o sukladnosti</b>		Pod punom odgovornošću izjavljujemo da navedeni proizvodi odgovaraju svim relevantnim odredbama direktiva i propisima navedenima u nastavku i da su sukladni sa sljedećim normama. Tehnička dokumentacija se može dobiti kod: *
	<b>Aku-odvijak</b>	Kataloški br.	
<b>et</b>	<b>EL-vastavusdeklaratsioon</b>		Kinnitame ainuvastutajatena, et nimetatud tooted vastavad järgnevalt loetletud direktiivide ja määruste kõikidele asjaomastele nõuetele ja on kooskõlas järgmiste normidega. Tehnilised dokumendid saadaval: *
	<b>Aku-kruikeeraja</b>	Tootenumber	
<b>lv</b>	<b>Deklarācija par atbilstību ES standartiem</b>		Mēs ar pilnu atbildību paziņojam, ka šeit aplūkoti izstrādājumi atbilst visiem tālāk minētajās direktīvās un rīkojumos ietvertajām saistošajām nostādņēm, kā arī sekojošiem standartiem. Tehniskā dokumentācija no: *
	<b>Akumulātorā skrūvgriezis</b>	Izstrādājuma numurs	

VI

CE

<b>It</b>	<b>ES atitikties deklaracija</b>	Atsakingai pareiškiame, kad išvardyti gaminiai atitinka visus privalomus žemiau nurodytų direktyvų ir reglamentų reikalavimus ir šiuos standartus. Techninė dokumentacija saugoma: *	
<b>Akumulatorinis suktuvas</b>	Gaminio numeris <b>3 603 JC7 0..</b>	2006/42/EC 2014/30/EU 2011/65/EU	EN 62841-1:2015 EN 62841-2-2:2014 EN 55014-1:2006+A1:2009+A2:2011 EN 55014-2:2015 EN 50581:2012   <b>BOSCH</b> * Robert Bosch Power Tools GmbH (PT/ECS) 70538 Stuttgart GERMANY  Henk Becker Chairman of Executive Management  Helmut Heinzelmann Head of Product Certification    Robert Bosch Power Tools GmbH, 70538 Stuttgart, GERMANY Stuttgart, 04.04.2019