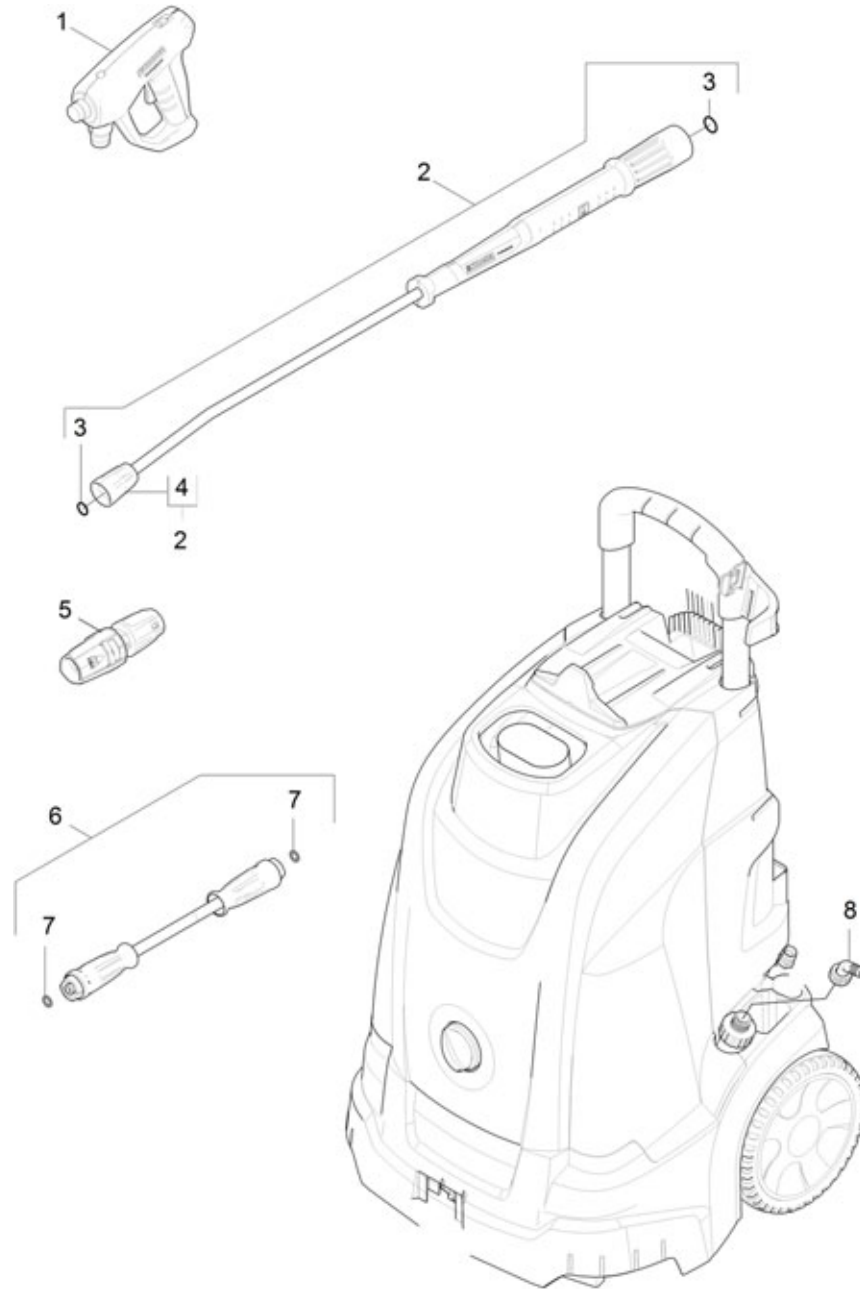


1030 Short spare parts list (1.064-902.3)

Professional \ High pressure cleaner hotwater \ Electric motor \ HDS 5/11 U *GB \ Short spare parts list



1030 Short spare parts list (1.064-902.3)

Professional \ High pressure cleaner hotwater \ Electric motor \ HDS 5/11 U *GB \ Short spare parts list



| POS | Article no. | Description | Quantity | Unit |
|-----|-------------|---|----------|------|
| 1 | 4.118-005.0 | EASY!Force Advanced | 1.000 | ST |
| 2 | 4.112-006.0 | Jet pipe TR 840 mm | 1.000 | ST |
| 3 | 2.880-001.0 | Spare part set seals TR | 2.000 | ST |
| 4 | 4.112-011.0 | Protection part TR only for replacement | 1.000 | ST |
| 5 | 4.117-027.0 | Triple jet nozzle TR 032 | 1.000 | ST |
| 6 | 6.110-034.0 | Hose assembly TR DN6 25MPa 10m | 1.000 | ST |
| 7 | 2.880-154.0 | O-Ring kit | 1.000 | ST |
| 8 | 6.362-078.0 | O-Ring seal 13,3x2,4 | 1.000 | ST |
| 8 | 5.310-062.0 | Nut | 1.000 | ST |
| 8 | 5.443-285.0 | Hose stem | 1.000 | ST |