

RYOBI®

R18AC

ORIGINAL INSTRUCTIONS
TRADUCTION DES INSTRUCTIONS ORIGINALES
ÜBERSETZUNG DER ORIGINALANLEITUNG
TRADUCCIÓN DE LAS INSTRUCCIONES ORIGINALES
TRADUZIONE DELLE ISTRUZIONI ORIGINALI
VERTALING VAN DE ORIGINELE INSTRUCTIES
TRADUÇÃO DAS INSTRUÇÕES ORIGINAIS
OVERSÆTTELSE AF DE ORIGINALE INSTRUKTIONER
ÖVERSÄTTNING AV DE URSPRUNGLIGA INSTRUKTIONERNA
ALKUPERÄISTEN OHJEIDEN SUOMENNOS
OVERSETTELSE AV DE ORIGINALE INSTRUKSJONENE
ПЕРЕВОД ОРИГИНАЛЬНЫХ ИНСТРУКЦИЙ
TŁUMACZENIE INSTRUKCJI ORYGINALNEJ
PŘEKLAD ORIGINÁLNÍCH POKYNŮ
AZ EREDETI ÚTMUTATÓ FORDÍTÁSA
TRADUCEREA INSTRUCȚIUNILOR ORIGINALE
TULKOTS NO ORIGINĀLĀS INSTRUKCIJAS
ORIGINALIŲ INSTRUKCIJŲ VERTIMAS
ORIGINALJUHENDI TÕLGE
PRIJEVOD ORIGINALNIH UPUTA
PREVOD ORIGINALNIH NAVODIL
PREKLAD ORIGINÁLNYCH POKYNOV
ΜΕΤΑΦΡΑΣΗ ΤΩΝ ΠΡΩΤΟΤΥΠΩΝ ΟΔΗΓΙΩΝ
ORIJ NAL TALIMATLARIN TERCÜMESİ
ПЕРЕКЛАД ОРИГІНАЛЬНИХ ІНСТРУКЦІЙ



EN
FR
DE
ES
IT
NL
PT
DA
SV
FI
NO
RU
PL
CS
HU
RO
LV
LT
ET
HR
SL
SK
EL
TR
UK





Important!	It is essential that you read the instructions in this manual before assembling, maintaining and operating the product.
Attention!	Il est essentiel que vous lisiez les instructions contenues dans ce manuel avant d'assembler, d'entretenir et d'utiliser le produit.
Achtung!	Es ist wichtig, dass Sie vor Zusammenbau, Wartung und Benutzung des Produktes die Anweisungen in dieser Anleitung lesen.
¡Atención!	Resulta fundamental que lea este manual de instrucciones antes de realizar el montaje, el mantenimiento y de utilizar este producto
Attenzione!	E' importante leggere le istruzioni contenute nel presente manuale prima di montare il prodotto, svolgere le operazioni di manutenzione sullo stesso e metterlo in funzione.
Let op!	Het is van essentieel belang dat u de instructies in deze gebruiksaanwijzing leest voor u het product monteert, onderhoudt en gebruikt.
Atenção!	É fundamental que leia as instruções deste manual antes da montagem, manutenção e operação do aparelho.
OBS!	Det er vigtigt, at man læser instrukserne i denne brugsanvisning, inden man samler, vedligeholder og betjener produktet.
Observera!	Det är viktigt att du läser instruktionerna i manualen före montering, användning och underhåll av produkten.
Huomio!	On tärkeää, että luet tämän käsikirjan ohjeet ennen tuotteen kokoamista, huoltoa ja käyttöä.
Advarsel!	Det er viktig at du leser instruksjonene i denne manualen før sammensetning, vedlikehold og bruk av produktet
Внимание!	Необходимо прочитать инструкции в данном руководстве перед сборкой, обслуживанием и эксплуатацией этого изделия.
Uwaga!	Koniecznle należy przeczytać instrukcje zawarte w tym podręczniku przed montażem, obsługą oraz konserwacją produktu.
Důležité upozornění!	Neinstalujte, neprovádějte údržbu ani nepoužívejte tento výrobek dřive, než si přečtete pokyny uvedené v tomto návodu.
Figyelem!	Fontos, hogy a termék összerelése, karbantartása és használatá elött elolvassa a kézikönyvben található utasításokat.
Atenție!	Este esențial să citiți instrucțiunile din acest manual înainte de asamblare, efectuarea întreinerii și operarea produsului.
Uzmanību!	Ir svarīgi izlasīt šīs rokasgrāmatas instrukcijas pirms uzstādīšanas, apkopes un preces darbināšanas.
Dėmesio!	Prieš surenkant, prižiūrint ir naudojant gaminį, būtina perskaityti šiam vadove pateiktus nurodymus.
Tähtis!	Enne masina kokkupanekut, hooldamist ja kasutama hakkamist tuleb käesolevas juhendis esitatud juhised kindlasti läbi lugeda.
Upozorenje!	Vrlo je važno da ste prije sklapanja, održavanja i rada s ovim proizvodom pročitali upute u ovom priručniku.
Pomembno!	Pomembno je da pred montažo vzdrževanjem in uporabo tega izdelka preberete navodila v tem priručniku.
Upzornenie!	Je dôležité, aby ste si pred montážou, údržbou a obsluhou produktu prečítali pokyny v tomto návode.
Важно!	Исключительно важно е да прочетете инструкциите в настоящото ръководство, преди да преминете към сглобяване, поддръжка или работа с продукта.
Важливо!	Дуже важливо, щоб ви прочитали інструкції в цьому керівництві перед складанням, обслуговуванням та експлуатацією цієї машини.
Dikkat!	Ürünün montajını, bakımını yapmadan ve ürünün çalıştırmadan önce bu kılavuzda yer alan talimatları okumanız önemlidir.
Προσοχή!	Είναι πολύ σημαντικό να διαβάσετε τις οδηγίες στο παρόν εγχειρίδιο πριν συναρμολογήσετε, συντηρήσετε ή λειτουργήσετε το προϊόν.

Subject to technical modification | Sous réserve de modifications techniques | Technische Änderungen vorbehalten | Bajo reserva de modificaciones técnicas | Con riserva di eventuali modifiche tecniche | Technische wijzigingen voorbehouden | Com reserva de modificações técnicas | Med forbehold for tekniske ændringer | Med förbehåll för tekniska ändringar | Tekniset muutokset varataan | Med forbehold om tekniske endringer | могут быть внесены технические изменения | Z zastrzeżeniem modyfikacji technicznych | Změny technických údajů vyhrazeny | A műszaki módosítás jogát fenntartjuk | Sub rezerva modifiцаiilor tehnice | Paturam tiesības mainīt tehnisko raksturlielumus | Pasilikant teisę daryti techninius pakeitimus | Tehnilised muudatused võimalikud | Podložno tehničkim promjenama | Tehnične spremembe dopuščene | Právo na technické zmeny je vyhradené | Подлежи на технически модификации | Є об'єктом для технічних змін | Teknik değişiklik hakkı saklıdır | Υπό την επιφύλαξη τεχνικών τροποποιήσεων





Safety, performance, and dependability have been given top priority in the design of your air compressor.

INTENDED USE

The air compressor is designed to supply pressurised air only. It must not be used to compress any other gas.

The product is designed to operate air-powered tools and inflate high-pressure items such as car tyres and bicycle tyres.

The product is intended to be used only by adults who have read and understood the instructions and warnings in this manual, and can be considered responsible for their actions.

The product should be operated indoors only.

Do not use the product for any other purpose. Use of the product for operations different from intended could result in a hazardous situation.

GENERAL SAFETY WARNINGS

WARNING

Read all safety warnings and all instructions. Failure to follow the warnings and instructions may result in electric shock, fire and/or serious injury.

Save all warnings and instructions for future reference.

WARNING

When using electric tools, basic safety precautions should always be followed to reduce the risk of fire, electric shock and personal injury. Read all these instructions before attempting to operate this product and save these instructions.

WORK AREA SAFETY

- Keep work area clean. Cluttered areas and benches invite accidents. Do not leave tools or pieces of wood on the product while it is in operation.
- Do not use the product in dangerous environments. Do not use the product in damp or wet locations or expose to rain. Keep the work area well lit.
- Keep children and visitors away. All visitors should wear safety glasses and be kept a safe distance from the work area. Do not let visitors contact the product while operating.
- Never use the product in an explosive atmosphere. Normal sparking of the motor could ignite fumes.

ELECTRICAL SAFETY

- Should any electrical component of the product fail to perform properly, turn off the power switch, remove the battery pack from the product and replace before resuming operation.
- Do not expose power tools to rain or wet conditions. Water entering a power tool will increase the risk of electric shock.

PERSONAL SAFETY

- Stay alert and exercise control. Watch what you are doing and use common sense. Do not operate the product when you are tired. Do not rush.
- Dress properly. Do not wear loose clothing, neckties, or jewellery which can get caught and draw you into moving parts. Rubber gloves and nonskid footwear are recommended when working outdoors. Wear protective hair covering to contain long hair.
- Always wear safety glasses with side shields. Everyday eyeglasses have only impact-resistant lenses; they are not safety glasses.
- Protect your lungs. Wear a face or dust mask if the operation is dusty.
- Protect your hearing. Wear hearing protection during extended periods of operation.
- Do not overreach. Keep proper footing and balance at all times.
- Remove adjusting keys and wrenches. Form habit of checking to see that keys and adjusting wrenches are removed from the product before turning it on.

AIR COMPRESSOR USE AND CARE

- Do not exceed the pressure rating of any component in the system.
- Protect material lines and air lines from damage or puncture. Keep hose away from sharp objects, chemical spills, oil, solvents, and wet floors.
- Check hoses for weak or worn condition before each use, making certain all connections are secure. Do not use if defect is found. Purchase a new hose or notify an authorised service centre for examination or repair.
- Release all pressures within the system slowly. Dust and debris may be harmful.
- Store idle air compressors out of the reach of children and other untrained persons. Air compressors are dangerous in the hands of untrained users.
- Maintain air compressors with care. Follow maintenance instructions. Properly maintained products are easier to control.
- Check for misalignment or binding of moving parts, breakage of parts, and any other condition that may affect the product's operation. If damaged, have the product serviced before using. Many accidents are caused by poorly maintained products.
- Keep the exterior of the product dry, clean, and free from oil and grease. Always use a clean cloth when cleaning. Never use brake fluids, gasoline, petroleum-based products, or any strong solvents to clean the product. Following this rule will reduce the risk of deterioration of the enclosure plastic.

SERVICE

- When servicing use only identical replacement parts. Use of any other parts may create a hazard or cause product damage.

Save these instructions. Refer to them frequently and use them to instruct other users. If you loan someone this tool, loan them these instructions also.

EN

FR

DE

ES

IT

NL

PT

DA

SV

FI

NO

RU

PL

CS

HU

RO

LV

LT

ET

HR

SL

SK

BG

UK

TR

EL



AIR COMPRESSOR SAFETY WARNINGS

- Know your product. Read operator's manual carefully. Learn the product's applications and limitations, as well as the specific potential hazards related to the product. Following this rule will reduce the risk of electric shock, fire, or serious injury.
- Drain the air tank of moisture after each day's use. If the product will not be used for a while, it is best to leave the drain valve open until next use. This will allow moisture to completely drain out and help prevent corrosion on the inside of air tank.
- Risk of fire or explosion. Do not spray flammable liquid in a confined area. Spray area must be well ventilated. Do not smoke while spraying or spray where spark or flame is present. Keep the product at least 10 m (33 feet) from the spraying area and all explosive vapours.
- Risk of bursting. Do not adjust regulator to result in output pressure greater than marked maximum pressure of attachment. Do not use at pressure greater than 8.3 bar.
- To reduce the risk of electric shock, do not expose the product to rain. Store the product indoors.
- Inspect the air tank yearly for rust, pin holes, or other imperfections that could cause it to become unsafe.
- Never weld or drill holes in the air tank.
- Make sure the hose is free of obstructions or snags. Entangled or snarled hoses can cause loss of balance or footing and may become damaged.
- Use the product only for its intended use. Do not alter or modify the product from the original design or function.
- Always be aware that misuse and improper handling of the product can cause injury to yourself and others.
- Never leave the product unattended with the air hose attached to a tool.
- Never point any air tool toward yourself or others.
- Do not operate the product if it does not contain a legible warning label.
- Do not continue to use the product or hose which leaks air or does not function properly.
- Always disconnect the air supply and remove the battery pack before making adjustments, servicing the product, or when the product is not in use.
- Do not attempt to pull or carry the product by the hose.
- Your tool may require more air consumption than the product is capable of providing.
- Always follow all safety rules recommended by the manufacturer of your air tool, in addition to all safety rules for the air compressor. Following this rule will reduce the risk of serious personal injury.
- Never direct a jet of compressed air toward people or animals. Take care not to blow dust and dirt towards yourself or others. Following this rule will reduce the risk of serious injury.
- Do not use the product to spray chemicals. Your lungs can be damaged by inhaling toxic fumes. A respirator may be necessary in dusty environments or when spraying paint. Do not carry the product while painting.
- Inspect product cords and hoses periodically and,

if damaged, have them repaired at your nearest authorised service centre. Constantly stay aware of cord location. Following this rule will reduce the risk of electric shock or fire.

- Check for misalignment or binding of moving parts, breakage of parts, and any other condition that may affect the product's operation. If damaged, have the product serviced before using. Many accidents are caused by poorly maintained products.
- When fixed guards have to be removed for periodic maintenance or repair, their fixing systems shall remain attached to the guard or machinery when the guards are removed.
- Never store a tool with an air hose connected. Storing the tool while connected to an air supply can result in unexpected operation, firing or movement and possible serious personal injury.
- Protect your lungs. Wear a face or dust mask if the operation is dusty. Following this rule will reduce the risk of serious personal injury.
- Save these instructions. Refer to them frequently and use them to instruct others who may use the product. If you loan someone the product, loan them these instructions also.
- Operate the product from the front of the control panel.
- When the product is in operation, many parts of machine may cause a high temperature. Use necessary personal protection equipment such as gloves to avoid injuries resulting from a high temperature.
- The product is not intended for use by persons (including children) with reduced physical, sensory or mental capabilities, or lack of experience and knowledge. Children should be supervised to ensure that they do not play with the product.

BATTERY AND CHARGER SAFETY WARNINGS

WARNING

To reduce the risk of fire, personal injury, and product damage due to a short circuit, never immerse your tool, battery pack or charger in fluid or allow a fluid to flow inside them. Corrosive or conductive fluids, such as seawater, certain industrial chemicals, and bleach or bleach-containing products, etc., can cause a short circuit.

- **Recharge only with the charger specified by the manufacturer.** A charger that is suitable for one type of battery pack may create a risk of fire when used with another battery pack.
- **Use power tools only with specifically designated battery packs.** Use of any other battery packs may create a risk of injury and fire.
- **When battery pack is not in use, keep it away from other metal objects, like paper clips, coins, keys, nails, screws or other small metal objects, which can make a connection from one terminal to another.** Shorting the battery terminals together may cause burns or a fire.



EN
FR
DE
ES
IT
NL
PT
DA
SV
FI
NO
RU
PL
CS
HU
RO
LV
LT
ET
HR
SK
SL
BG
UK
TR
EL

- **Under abusive conditions, liquid may be ejected from the battery; avoid contact. If contact accidentally occurs, flush with water. If liquid contacts eyes, additionally seek medical help.** Liquid ejected from the battery may cause irritation or burns.
- **Battery tools do not have to be plugged into an electrical outlet; therefore, they are always in operating condition. Be aware of possible hazards when not using your battery tool or when changing accessories.** Following this rule will reduce the risk of electric shock, fire, or serious personal injury.
- **Do not place battery tools or their batteries near fire or heat.** This will reduce the risk of explosion and possibly injury.
- **Do not crush, drop or damage battery pack. Do not use a battery pack or charger that has been dropped or received a sharp blow.** A damaged battery is subject to explosion. Properly dispose of a dropped or damaged battery immediately.
- **Batteries can explode in the presence of a source of ignition, such as a pilot light.** To reduce the risk of serious personal injury, never use any cordless product in the presence of open flame. An exploded battery can propel debris and chemicals. If exposed, flush with water immediately.
- **Do not charge battery tool in a damp or wet location.** Following this rule will reduce the risk of electric shock.
- **For best results, your battery should be charged in a location where the temperature is more than 10°C but less than 38°C.** To reduce the risk of serious personal injury, do not store outside or in vehicles.
- **Under extreme usage or temperature conditions, battery leakage may occur. If liquid comes in contact with your skin, wash immediately with soap and water. If liquid gets into your eyes, flush them with clean water for at least 10 minutes, then seek immediate medical attention.** Following this rule will reduce the risk of serious personal injury.
- **Do not use a battery pack that is damaged or modified.** Damaged or modified batteries may exhibit unpredictable behavior resulting in fire, explosion or risk of injury.
- **Do not modify or attempt to repair a battery pack that has been damaged.**
- **Do not expose a battery pack or appliance to fire or excessive temperature.** Exposure to fire or temperature above 130°C may cause explosion.
- **Follow all charging instructions and do not charge the battery pack or appliance outside of the temperature range specified in the instructions.** Charging improperly or at temperatures outside of the specified range may damage the battery and increase the risk of fire.

TRANSPORTING LITHIUM BATTERIES

Transport the battery in accordance with local and national provisions and regulations.

Follow all special requirements on packaging and labelling when transporting batteries by a third party. Ensure that

no batteries can come in contact with other batteries or conductive materials while in transport by protecting exposed connectors with insulating, non-conductive caps or tape. Do not transport batteries that are cracked or leaking. Check with the forwarding company for further advice.

BATTERIES

Battery packs which have not been used for some time should be recharged before use.

Temperatures in excess of 50°C (122°F) reduce the performance of the battery pack. Avoid extended exposure to heat or sunshine (risk of overheating).

The contacts of chargers and battery packs must be kept clean.

For an optimum life-time, the battery packs have to be fully charged, after used.

To obtain the longest possible battery life remove the battery pack from the charger once it is fully charged.

For battery pack storage longer than 30 days:

- Store the battery pack where the temperature is below 27°C and away from moisture.
- Store the battery packs in a 30% - 50% charged condition.
- Every six months of storage, charge the pack as normal.

BATTERY PACK PROTECTION

The battery pack has overload protection that protects it from being overloaded and helps to ensure long life. Under extreme stress the battery electronics switch off the product automatically. To restart, switch the product off and then on again. If the product does not start up again, the battery pack may have discharged completely. In this case it must be recharged in the battery charger.

RESIDUAL RISKS

Even when the product is used as prescribed, it is still impossible to completely eliminate certain residual risk factors. The following hazards may arise and the operator should pay special attention to avoid the following:

- Use the product only for its intended use. Do not alter or modify the product from the original design or function.
- Always be aware that misuse and improper handling of the product can cause injury to yourself and others.
- Never leave the product unattended with the hose attached to a tool.
- Do not continue to use the product or hose which leaks air or does not function properly.
- Risk of bursting
 - Do not adjust regulator to result in output pressure greater than marked maximum pressure of attachment.
- Heat and high temperature are generated while motor and cylinder are running. Touching exposed metal can result in serious burns.
 - Always keep the air compressor away from the



working zones.

- Injury caused by noise
 - Wear ear protection.
- The gas from air compressor can propel dirt, chips, loose particles and small objects at high speed. This may result in objects being thrown into eyes or other possible serious injury.
 - Always wear proper personal protective equipment when operating different tools.

KNOW YOUR PRODUCT

See page 195.

1. Hose wrap brackets
2. Quick connect coupler
3. PCL high-flow-style male coupler 1/4" BSP
4. Tank pressure gauge
5. Pressure regulator knob
6. Regulator pressure gauge
7. Carrying handle
8. Safety valve
9. On/off switch
10. Battery pack
11. Drain valve
12. Reset button

UNPACKING

Inspect the product carefully to make sure no breakage or damage occurred during shipping.

Do not discard the packing material until you have carefully inspected and satisfactorily operated the product.

⚠ WARNING

If any parts are damaged or missing, do not operate the product until the parts are replaced. Use of the product with damaged or missing parts could result in serious personal injury.

⚠ WARNING

Do not attempt to modify the product or create accessories not recommended for use with the product. Any such alteration or modification is misuse and could result in a hazardous condition leading to possible serious personal injury.

⚠ WARNING

To prevent accidental starting that could cause serious personal injury, always remove the battery pack from the product when assembling parts.

OPERATION

PREPARATION

Attaching/disconnecting an air hose

See page 196.

NOTE: For operation using pressures above 7 bar,

(102 psi) delivery hoses should be fitted with a safety cord, e.g., wire rope.

1. Make sure the on/off switch is in the OFF (O) position and the battery pack is disconnected.
2. Pull the pressure regulator knob outward to enable adjustment. Rotate the pressure regulator knob fully counterclockwise.
3. Confirm that the outlet pressure is at zero (0) bar.
4. Attach an air hose with a connector to 6.35 mm (1/4 in.) quick connect coupler on the air compressor. Make sure to push the connector fully into the coupler until the sleeve on the coupler springs forward to lock the connector in place.

To disconnect an air hose or an air tool:

1. Pull the pressure regulator knob outward to enable adjustment. Rotate the pressure regulator knob fully counterclockwise.
2. Confirm that the outlet pressure is at zero (0) bar.
3. Pull back the release sleeve on the 6.35 mm (1/4 in.) quick coupler. With a firm grip, pull out the hose connector which is attached to the quick coupler.

Connecting/removing a battery pack

1. Make sure the on/off switch is in the OFF (O) position.
2. Insert a battery pack into the battery port.
3. Make sure the latches on each side of the battery pack snap into place and the battery pack is secured in the product before beginning operation.
4. Depress the latches to remove the battery pack.
5. For complete charging instructions, see the operator's manuals for your battery pack and charger.

USING THE AIR COMPRESSOR

⚠ DANGER

Do not disassemble tank drain valves or safety valve with air in the air tank. Release the air from the air tank. Failure to depressurise the air tank could result in explosion and/or serious personal injury.

⚠ WARNING

Always wear eye protection with side shields. Failure to do so could result in objects being thrown into your eyes, resulting in possible serious injury.

⚠ WARNING

Do not use any attachments or accessories not recommended by the manufacturer of the product. The use of attachments or accessories not recommended can result in serious personal injury.

⚠ WARNING

Do not attach any tools to the open end of the hose until start-up has been completed.



⚠ WARNING

Always remove the battery pack from the tool when you are assembling parts, making adjustments, cleaning, or when the product is not in use. Removing the battery pack will prevent accidental starting that could cause serious personal injury.

⚠ WARNING

Do not use in an environment which is dusty or otherwise contaminated. Using the air compressor in this type of environment may cause damage to the product.

Adjusting the air pressure

See page 197.

1. Make sure the on/off switch is in the OFF (O) position and the battery pack is removed.
2. Connect the battery pack to the product.
3. Press the on/off switch to the ON (I) position.
4. Pull the pressure regulator knob outward to enable adjustment.
5. Rotate pressure regulator knob to the desired pressure. Turning the knob clockwise increases air pressure at the outlet. Turning counterclockwise reduces air pressure at the outlet. Push the pressure regulator knob to disable adjustment.
6. Following all safety precautions in this manual and the manufacturer's instructions in the air tool manual, you may now proceed to use your air-powered tool.

⚠ WARNING

Air powered tools may require more air consumption than this air compressor is capable of providing. Check the tool manual to avoid damage to the tool or risk of personal injury.

7. Control the amount of air flow with the pressure regulator knob. Turning the knob fully counterclockwise will completely stop the flow of air.

NOTE: Always use the minimum amount of pressure necessary for your application. Using a higher pressure than needed will drain air from the tank more rapidly and cause the unit to cycle on more frequently.

8. To turn the air compressor off, press the power switch to the OFF (O) position.

NOTE: When the compressor is in the ON (I) position, the air compressor will automatically turn on when the designated tank air pressure drops below the preset pressure limit. It will also shut off again when the desired pressure is reached.

⚠ WARNING

Never exceed the air tool's pressure rating as recommended by the manufacturer. When using this air compressor as an inflation device, always follow the maximum inflation guidelines stated by the manufacturer of the item being inflated.

⚠ WARNING

Always ensure the on/off switch is in the OFF (O) position and the regulator pressure gauge reads zero before changing air tools or disconnecting the hose from the air outlet. Failure to do so could result in possible serious personal injury.

9. When finished, always drain the tank and remove the battery pack. Never leave the product operating or connected to the battery pack.

DRAINING THE AIR TANK

See page 198.

To prevent tank corrosion and keep moisture out of the air tank, the air tank of the compressor should be drained daily.

To drain the air tank:

1. Make sure the on/off switch is in the OFF (O) position.
2. Remove the battery pack.
3. Pull the ring on the pressure relief valve until the Tank pressure gauge reads less than 1.4 bar (20 PSI).
4. Release the ring.
5. Turn the drain valve lever counterclockwise to drain the moisture.

NOTE: Condensate is a polluting material and should be disposed of in compliance with local regulations.

6. Turn the drain valve lever clockwise to close the drain valve.

RESET BUTTON

When current into the air compressor motor exceeds the specified unit, the air compressor will automatically shut off.

To reset the air compressor:

1. Remove the battery pack.
2. Turn off the product.
3. Wait three minutes for the motor to cool.
4. Press the reset button.
5. Connect the battery pack to the product.
6. Turn on the product.

CHANGING A COUPLER

See pages 199.

1. Make sure the on/off switch is in the OFF (O) position.
2. Remove the battery pack.
3. Pull the ring on the pressure relief valve until the Tank pressure gauge reads less than 1.4 bar (20 PSI).
4. Release the ring.
5. Using a wrench, loosen and remove the coupler by turning counterclockwise.
6. Using a wrench, install a new coupler and tighten in a clockwise direction.

TRANSPORTATION AND STORAGE

See pages 200-201.

1. Make sure the on/off switch is in the OFF (O) position.
2. Remove the battery pack.
3. Run the air tool to relieve the air pressure in the hose, then remove the air hose and the air tool. Release the air by pulling the pressure relief valve.
4. Drain water from the tank as instructed in "Draining the

EN

FR

DE

ES

IT

NL

PT

DA

SV

FI

NO

RU

PL

CS

HU

RO

LV

LT

ET

HR

SL

SK

BG

UK

TR

EL



- air tank" section.
5. Clean the product with a dry cloth.
 6. Wrap the air hose around the hose wrap brackets.
 7. Carry the product by the carrying handle.
 8. Store the air compressor in its normal operating position in a dry and protected area.

⚠ WARNING

Water will condense in the air compressor tank when the compressor is in operation. Water left in the tank can cause the tank to weaken and corrode, increasing the risk of tank rupture.

⚠ WARNING

Always disconnect the air hose from tools whenever not in use or while servicing. During maintenance, a tool connected to air hose may operate accidentally, causing serious personal injury!

⚠ WARNING

Failure to remove the battery pack from the air compressor before storage may result in the compressor running continuously, causing overheating, damage to the compressor, and possibly a fire.

MAINTENANCE

GENERAL MAINTENANCE

- Avoid using solvents when cleaning plastic parts. Most plastics are susceptible to damage from various types of commercial solvents and may be damaged by their use. Use clean cloths to remove dirt, dust, oil, grease, etc.
- Do not at any time let brake fluids, gasoline, petroleum-based products, penetrating oils, etc., come in contact with plastic parts. Chemicals can damage, weaken or destroy plastic which may result in serious personal injury.
- Always release all pressure, remove the battery pack, and allow the product to cool to the touch before cleaning or making repairs on the product.
- Do not modify the product in any way or use accessories not approved by the manufacturer. Your safety and that of others may be compromised.
- Do not use the product if any switches, guards or other functions does not work as intended. Return to an authorised service centre for professional repair or adjustment.
- Always make sure the battery pack has been removed from the product before making adjustments, lubricating or when doing any maintenance on the product.
- Before and after each use, check the product for damage or broken parts. Keep the product in top working condition by immediately replacing parts with spares approved by the manufacturer.

⚠ WARNING

For greater safety and reliability, all repairs should be performed by an authorised service centre.

ENVIRONMENTAL PROTECTION



Recycle raw materials instead of disposing of as waste. The machine, accessories and packaging should be sorted for environmental-friendly recycling.

SYMBOLS ON THE PRODUCT



Safety alert



Please read the instructions carefully before starting the machine.



CE conformity



EurAsian conformity mark



Ukrainian mark of conformity



Always wear goggles when using the machine.



Wear ear protectors.



Indoor use



Wet condition alert. Do not expose to rain. Store indoors.



Risk of breathing. Air obtained directly from the air compressor should never be used to supply air for human consumption.



Risk of bursting. Do not adjust regulator to result in output pressure greater than marked maximum pressure of attachment. Do not use at pressure greater than 10 bar.



This compressor may start without warning.



Risk of fire or explosion. Spray area must be well ventilated. Do not smoke while spraying or spray where spark or flame is present. Keep compressors as far from the spraying area as possible. Keep compressor, at least 10 m from the spraying area and all explosive vapours.



Regulated pressure



Tank pressure



Waste electrical products should not be disposed of with household waste. Please recycle where facilities exist. Check with your Local Authority or retailer for recycling advice.

SYMBOLS IN THIS MANUAL



Parts or accessories sold separately



Note



Warning

The following signal words and meanings are intended to explain the levels of risk associated with this product:

DANGER

Indicates an imminently hazardous situation, which, if not avoided, will result in death or serious injury.

WARNING

Indicates a potentially hazardous situation, which, if not avoided, could result in death or serious injury.

CAUTION

Indicates a potentially hazardous situation, which, if not avoided, may result in minor or moderate injury.

CAUTION

(Without Safety Alert Symbol) Indicates a situation that may result in property damage.



Lors de la conception du compresseur pneumatique, l'accent a été mis sur la sécurité, la performance et la fiabilité.

UTILISATION PREVUE

Le compresseur pneumatique est conçu pour fournir uniquement de l'air comprimé. Il ne doit pas être utilisé pour comprimer d'autres gaz.

L'appareil est conçu pour le fonctionnement d'outils pneumatiques et le gonflage d'articles à haute pression tels que des pneus de voiture et de vélo.

Le produit doit être utilisé seulement par des adultes ayant lu et compris les instructions et les avertissements inclus dans le présent manuel et pouvant être considérés comme responsables de leurs actes.

L'appareil ne doit être utilisé qu'en intérieur.

Ne vous servez pas de ce produit pour d'autres utilisations que celles décrites au chapitre des utilisations prévues. L'utilisation détournée d'un outil électrique entraîne des situations dangereuses.

AVERTISSEMENTS GÉNÉRAUX DE SÉCURITÉ

AVERTISSEMENT

Lisez tous les avertissements de sécurité et toutes les instructions. Le non-respect des avertissements et instructions peut entraîner une décharge électrique, un incendie et/ou de graves blessures.

Conservez tous les avertissements et toutes les instructions pour pouvoir vous y reporter ultérieurement.

AVERTISSEMENT

Lors de l'utilisation d'appareils électriques, il convient de respecter certaines précautions de sécurité de base afin de réduire les risques d'incendie, de décharge électrique et de blessure. Lisez toutes les instructions avant de tenter d'utiliser l'appareil et conservez ce manuel.

SÉCURITÉ DE LA ZONE DE TRAVAIL

- Gardez la zone de travail propre. Les établis et les zones de travail encombrés sont propices aux accidents. Ne laissez pas d'outils ou de morceaux de bois sur l'outil lorsqu'il est en fonctionnement.
- N'utilisez pas l'appareil dans des environnements dangereux. N'utilisez pas d'outil électrique dans un environnement humide ou mouillé et ne l'exposez pas à la pluie. Gardez la zone de travail bien éclairée.
- Eloignez les enfants et les visiteurs. Tous les visiteurs doivent porter des lunettes de sécurité et se tenir à distance de sécurité de la zone de travail. Ne laissez aucune autre personne entrer en contact avec l'appareil pendant son fonctionnement.
- Ne travaillez jamais dans une atmosphère explosive. La production normale d'étincelles du moteur est susceptible d'enflammer des vapeurs explosives.

SÉCURITÉ ÉLECTRIQUE

- Si l'un des composants électriques de l'appareil ne fonctionne pas correctement, placez l'interrupteur d'alimentation sur arrêt, retirez le pack de batterie de l'appareil et remplacez-le avant de reprendre l'utilisation.
- Ne pas exposer les outils à la pluie ou à des conditions humides. La pénétration d'eau à l'intérieur d'un outil augmentera le risque de choc électrique.

SÉCURITÉ DES PERSONNES

- Restez vigilant et contrôlez le travail. Regardez ce que vous faites et faites preuve de bon sens. N'utilisez pas cet outil lorsque vous êtes fatigué. Ne travaillez pas avec précipitation.
- S'habiller de manière adaptée. Ne portez pas de vêtement ample, de cravate, ou de bijoux susceptibles d'être happés et de vous projeter vers des pièces en mouvement. Le port de gants en caoutchouc et de chaussures antidérapantes est recommandé lorsque vous travaillez à l'extérieur. Contenez les cheveux longs avec une protection adaptée.
- Portez toujours des lunettes de sécurité avec écrans de protection latéraux. Les lunettes d'usage courant ne possèdent que des verres résistant aux impacts; il ne s'agit PAS de lunettes de sécurité.
- Protégez vos poumons. Portez un écran facial ou un masque anti-poussière si le travail génère de la poussière.
- Protégez votre audition. Portez une protection auditive pendant les longues périodes d'utilisation.
- Ne travaillez pas en extension. Garder une position et un équilibre adaptés à tout moment.
- Retirez les clés et outils de réglage. Prenez l'habitude de vérifier que les clés et outils de réglage ont été retirés de l'outil avant de le mettre en marche.

UTILISATION ET ENTRETIEN DU COMPRESSEUR PNEUMATIQUE

- N'excédez pas la pression nominale admissible par tout composant du système.
- Protégez les conduites d'air et de produits des perforations et autres dommages. Tenez le tuyau à l'écart des objets tranchants, des déversements de produits chimiques, de l'huile, des solvants et des sols humides.
- Vérifiez les éventuelles fuites ou usures des tuyaux avant chaque utilisation, en vous assurant que tous les raccords sont bien serrés. Ne l'utilisez pas en cas de défaut. Achetez un nouveau tuyau ou contactez un service après-vente agréé pour examen ou réparation.
- Relâchez lentement toutes les pressions du système. La poussière et les débris peuvent être nocifs.
- Rangez les compresseurs pneumatiques inutilisés hors de portée des enfants et des personnes non formées. Entre les mains d'utilisateurs non formés, les compresseurs pneumatiques sont dangereux.
- Entretenez les compresseurs pneumatiques avec soin. Suivez les instructions d'entretien. Les outils bien entretenus sont plus facile à contrôler.





EN
FR
DE
ES
IT
NL
PT
DA
SV
FI
NO
RU
PL
CS
HU
RO
LV
LT
ET
HR
SL
SK
BG
UK
TR
EL

- Vérifier qu'il n'y a pas de mauvais alignement ou de blocage des parties mobiles, des pièces cassées ou toute autre condition pouvant affecter le fonctionnement de l'outil. En cas de dommage, faites réparer l'outil avant de l'utiliser. Beaucoup d'accidents sont dus à des outils mal entretenus.
- Gardez l'extérieur du produit sec, propre et exempt d'huile et de graisse. Utilisez toujours un chiffon propre pour le nettoyer. N'utilisez jamais de liquide de frein, d'essence, de produits à base de pétrole ou de solvant puissant pour nettoyer l'appareil. Le respect de cette règle réduit les risques de détérioration du boîtier plastique.

MAINTENANCE ET ENTRETIEN

- N'effectuez les réparations qu'en utilisant des pièces détachées identiques. L'utilisation de toute autre pièce est susceptible de présenter un danger ou d'endommager votre outil.

Conservez ces instructions. Reportez-vous y fréquemment et utilisez-le pour renseigner les autres utilisateurs. Si vous prêtez cet outil à quelqu'un, prêtez-lui également ce manuel.

AVERTISSEMENTS DE SÉCURITÉ CONCERNANT LE COMPRESSEUR PNEUMATIQUE

- Apprenez à connaître votre produit Lisez avec attention le manuel d'utilisation. Prenez connaissance des applications et des limitations de l'appareil ainsi que des risques potentiels spécifiques qui y sont attachés. Vous réduirez ainsi les risques de choc électrique, d'incendie ou de blessure grave.
- Évacuez l'humidité du réservoir d'air après chaque utilisation quotidienne. Si l'appareil n'est pas utilisé pendant un certain temps, il est préférable de laisser le robinet de purge ouvert jusqu'à la prochaine utilisation. Cela permettra à l'humidité de s'évacuer complètement et empêchera la corrosion à l'intérieur du réservoir d'air.
- Risque d'incendie ou d'explosion. Ne pulvérisez pas de liquides inflammables dans un espace confiné. L'environnement de pulvérisation doit être bien ventilé. Ne fumez pas lorsque vous pulvérisez ne pulvérisez pas en présence de flammes ou d'étincelles. Tenez le produit à au moins 10 m (33 pieds) de la zone de pulvérisation et de toute vapeur explosive.
- Risque d'éclatement. Ne réglez pas le régulateur afin d'obtenir une pression en sortie supérieure à la pression maximale indiquée pour l'accessoire. N'appliquez pas de pression supérieure à 8,3 bar.
- Pour réduire le risque de choc électrique, ne pas exposer le produit à la pluie. Conserver le produit à l'intérieur.
- Vérifiez chaque année l'absence de rouille, de trous microscopiques ou d'autres défauts sur le réservoir d'air susceptibles d'affecter sa sécurité.
- Ne percez jamais le réservoir et ne le soudez pas.
- Assurez-vous que le tuyau n'est ni bouché ni accroché. Les tuyaux emmêlés peuvent entraîner une perte d'équilibre ou d'appui et s'endommager.
- Utiliser le produit uniquement aux fins prévues. N'altérez pas et ne modifiez pas l'appareil par rapport à

sa conception ou à ses fonctionnalités d'origine.

- Soyez toujours conscient qu'une mauvaise utilisation ainsi qu'une mauvaise manipulation de cet outil peuvent causer des blessures à vous et aux autres.
- Ne laissez jamais l'appareil sans surveillance lorsque le tuyau d'air est fixé à un outil.
- Ne pointez jamais un outil pneumatique vers vous ou vers les autres.
- N'utilisez pas cet outil s'il ne comporte pas d'étiquette d'avertissement lisible.
- Ne continuez pas d'utiliser un outil ou un tuyau qui fuit ou qui ne fonctionne pas de façon correcte.
- Débranchez toujours l'alimentation d'air et retirez le pack de batterie avant d'effectuer des réglages, de procéder à l'entretien de l'appareil ou lorsque le produit n'est pas utilisé.
- Ne tentez pas de tirer ou de transporter le produit par le tuyau.
- Votre outil peut nécessiter une consommation d'air supérieure à celle que le produit est capable de fournir.
- Observez toujours toutes les règles de sécurité recommandées par le fabricant de l'outil pneumatique, en plus de toutes les règles de sécurité applicables au compresseur pneumatique. Le respect de cette règle réduit les risques de blessures graves.
- Ne dirigez jamais un jet d'air comprimé directement vers des personnes ou des animaux. Prenez garde de ne pas souffler de la poussière et des saletés dans votre direction ou en direction d'autres personnes. Le respect de cette règle réduit les risques de blessures graves.
- Ne pas utiliser le produit pour pulvériser des produits chimiques. Vos poumons peuvent être endommagés par l'inhalation d'émanations toxiques. Un respirateur peut être nécessaire en environnement poussiéreux ou lorsque vous pulvérisez de la peinture. Ne le transportez pas lorsque vous êtes en train de peindre.
- Vérifiez périodiquement le câble d'alimentation des outils et faites-le remplacer par un service après-vente agréé en cas de dommage. Veillez à toujours savoir où se trouve le cordon. Vous réduirez ainsi les risques de choc électrique.
- Vérifier qu'il n'y a pas de mauvais alignement ou de blocage des parties mobiles, des pièces cassées ou toute autre condition pouvant affecter le fonctionnement de l'outil. En cas de dommage, faites réparer l'outil avant de l'utiliser. Beaucoup d'accidents sont dus à des outils mal entretenus.
- Lorsque des protecteurs fixes doivent être enlevés pour un entretien périodique ou une réparation, leurs systèmes de fixation doivent rester solidaires du protecteur ou de la machine lors du démontage des protecteurs.
- Ne rangez jamais un outil avec un tuyau d'air raccordé. Le stockage de l'outil lorsqu'il est branché à une alimentation d'air peut entraîner un fonctionnement, un allumage ou un mouvement inattendu et potentiellement des blessures graves.





- Protégez vos poumons. Portez un écran facial ou un masque anti-poussière si le travail génère de la poussière. Le respect de cette règle réduit les risques de blessures graves.
- Conservez ces instructions. Reportez-vous y fréquemment et utilisez-le pour renseigner les autres utilisateurs susceptibles d'utiliser ce produit. Si vous prêtez cet outil à quelqu'un, prêtez-lui également ce manuel.
- Utilisez la machine en faisant face à son panneau de contrôle.
- Lorsque la machine est en fonctionnement, un grand nombre de ses éléments atteint une haute température. Utilisez les équipements de protection personnelle nécessaires tels que des gants afin d'éviter toute blessure due aux hautes températures.
- Ce produit n'est pas conçu pour une utilisation par des personnes (y compris des enfants) souffrant de capacités physiques, sensorielles ou mentales réduites, d'un manque d'expérience ou de connaissances. Les enfants doivent être surveillés afin de veiller à ce qu'ils ne jouent pas avec l'appareil.

AVERTISSEMENTS DE SÉCURITÉ RELATIFS À LA BATTERIE ET AU CHARGEUR

▲ AVERTISSEMENT

Pour réduire le risque d'incendie, de blessures corporelles et de dommages causés par un court-circuit, ne jamais immerger l'outil, le bloc-piles ou le chargeur dans un liquide ou laisser couler un fluide à l'intérieur de celui-ci. Les fluides corrosifs ou conducteurs, tels que l'eau de mer, certains produits chimiques industriels, les produits de blanchiment ou de blanchiment, etc., peuvent provoquer un court-circuit.

- **Recharger uniquement avec le chargeur spécifié par le fabricant.** Un chargeur qui est adapté à un type de bloc de batteries peut créer un risque de feu lorsqu'il est utilisé avec un autre type de bloc de batteries.
- **Utiliser uniquement des outils électriques avec leurs propres packs de batterie spécialement conçus.** Utiliser un autre pack de batterie peut entraîner des risques de blessures et d'incendie.
- **Lorsqu'un bloc de batteries n'est pas utilisé, le maintenir à l'écart de tout autre objet métallique, par exemple trombones, pièces de monnaie, clés, clous, vis ou autres objets de petite taille qui peuvent donner lieu à une connexion d'une borne à une autre.** Court-circuiter les bornes de la batterie peut provoquer des brûlures ou un incendie.
- **Dans des conditions d'utilisation non conformes, du liquide peut être éjecté de la batterie, éviter tout contact. Si un contact accident se produit, rincer à l'eau. Si du liquide entre en contact avec les yeux, consulter un médecin.** Le liquide éjecté par la batterie peut entraîner des irritations ou des brûlures.
- **Les appareils alimentés par batterie n'ont pas à être branchés sur le secteur; ils sont donc en permanence en état de fonctionner. Soyez conscient des risques éventuels lorsque vous n'utilisez pas votre appareil alimenté par batterie ou lorsque vous en changez des accessoires.** Vous réduirez ainsi les risques de choc électrique, d'incendie ou de blessure grave.
- **Ne mettez pas les appareils alimentés par batterie ni leur batterie à proximité du feu ou d'une source de chaleur.** Vous réduirez ainsi les risques d'explosion et de blessures.
- **N'écrasez pas, ne laissez pas tomber et n'endommagez pas le bloc de batterie. N'utilisez pas un bloc de batterie ou un chargeur qui serait tombé ou qui aurait reçu un choc sévère.** Un bloc de batterie endommagé risque d'exploser. Éliminez immédiatement et de façon appropriée toute batterie endommagée ou qui serait tombée.
- **Les batteries sont susceptibles d'exploser en présence d'une source d'embrassement, telle qu'une veilleuse.** Pour réduire le risque de graves blessures, n'utilisez aucun appareil sans fil en présence d'une flamme nue. Une batterie qui explose peut projeter des éclats et des produits chimiques. En cas de contact, rincez immédiatement à grande eau.
- **Ne rechargez pas un appareil alimenté par batterie en milieu humide ou mouillé.** Vous réduirez ainsi les risques de décharge électrique.
- **Pour de meilleurs résultats, la batterie doit être chargée dans un endroit où la température est supérieure à 10°C mais inférieure à 38°C.** Afin de réduire le risque de blessures corporelles graves, ne stockez pas en dehors ou dans les véhicules.
- **Dans des conditions d'utilisation ou de température extrêmes, la batterie est susceptible de fuir. Si du liquide entre en contact avec votre peau, lavez-la immédiatement au savon et à l'eau. Si du liquide pénètre dans vos yeux, rincez-les à l'eau claire pendant au moins 10 minutes, puis contactez immédiatement un médecin.** Le respect de cette règle réduit les risques de blessures graves.
- **Ne pas utiliser un bloc-batterie endommagé ou modifié.** Des batteries endommagées ou modifiées peuvent présenter un comportement imprévisible pouvant causer un incendie, une explosion ou un risque de blessure.
- **Ne pas modifier ni chercher à réparer un bloc-batterie endommagé.**
- **N'exposez pas un outil ou un bloc de batterie au feu ou à des températures excessives.** L'exposition au feu ou à des températures supérieures à 130° C peut provoquer une explosion.
- **Suivez toutes les instructions de chargement et ne chargez pas l'outil ou le bloc de batterie en dehors de la plage de température spécifiée dans les instructions.** Un chargement incorrect ou à des températures situées en dehors de la plage spécifiée peut endommager la batterie et augmenter le risque d'incendie.





EN
FR
DE
ES
IT
NL
PT
DA
SV
FI
NO
RU
PL
CS
HU
RO
LV
LT
ET
HR
SL
SK
BG
UK
TR
EL

TRANSPORT DES BATTERIES AU LITHIUM

Transportez les batteries en conformité avec les dispositions et règlements locaux et nationaux.

Respectez toutes les exigences légales particulières concernant l'emballage et l'étiquetage des batteries lorsque vous confiez leur transport à un tiers. Assurez-vous qu'aucune batterie ne puisse entrer en contact avec une autre batterie ou avec des matériaux conducteurs lors de son transport en isolant les bornes électriques avec du ruban adhésif ou des capuchons isolants. Ne transportez pas une batterie qui serait fendue ou qui fuirait. Demandez conseil au transporteur pour de plus amples informations.

BATTERIES

Les packs de batterie n'ayant pas été utilisés depuis un moment doivent être rechargés avant emploi.

Une température supérieure à 50 °C (112 °F) réduit les performances du pack de batterie. Évitez toute exposition prolongée à la chaleur ou aux rayons du soleil (risque de surchauffe).

Les contacts des chargeurs et des packs de batterie doivent rester propres.

Pour une durée de vie optimale, les packs de batterie doivent être complètement rechargés après usage.

Pour obtenir la plus longue durée de vie possible, retirez le pack de batterie du chargeur une fois qu'il est totalement chargé.

Pour le stockage du pack de batterie pendant plus de 30 jours :

- Entreposez le pack de batterie dans un endroit où la température est inférieure à 27 °C et à l'abri de l'humidité.
- Entreposez le pack de batterie dans un état de charge de 30 % à 50 %.
- Tous les six mois de stockage, rechargez le pack comme d'habitude.

PROTECTION DU PACK DE BATTERIE

Le pack de batterie est doté d'une protection contre les surcharges qui le protège contre les surcharges et contribue à garantir une longue durée de vie. En cas de sollicitation extrême, l'électronique de la batterie éteint automatiquement le produit. Pour redémarrer, arrêtez l'appareil, puis remettez-le en marche. Si le produit ne redémarre pas, il se peut que le pack de batterie soit complètement déchargé. Dans ce cas, il doit être rechargé dans le chargeur de la batterie.

RISQUES RÉSIDUELS

Même lorsque le produit est utilisé selon les prescriptions, il reste impossible d'éliminer totalement certains facteurs de risque résiduels. Les dangers suivants risquent de se présenter en cours d'utilisation et l'utilisateur doit prêter particulièrement garde aux points suivants :

- Utiliser le produit uniquement aux fins prévues. N'altérez pas et ne modifiez pas l'appareil par rapport à sa conception ou à ses fonctionnalités d'origine.

- Soyez toujours conscient qu'une mauvaise utilisation ainsi qu'une mauvaise manipulation de cet outil peuvent causer des blessures à vous et aux autres.
- Ne laissez jamais l'appareil sans surveillance lorsque le tuyau est fixé à un outil.
- Ne continuez pas d'utiliser un outil ou un tuyau qui fuit ou qui ne fonctionne pas de façon correcte.
- Risque d'éclatement
 - Ne réglez pas le régulateur afin d'obtenir une pression en sortie supérieure à la pression maximale indiquée pour l'accessoire.
- De la chaleur et une température élevée sont générées pendant que le moteur et le cylindre tournent. Toucher le métal exposé peut provoquer de graves brûlures.
 - Maintenez toujours le compresseur pneumatique à l'écart des zones de travail.
- Blessures dues au bruit
 - Portez une protection auditive.
- Le gaz du compresseur pneumatique peut projeter de la saleté, des copeaux, des particules libres et de petits objets à grande vitesse. Ceci peut provoquer la projection d'objets dans les yeux ou d'autres blessures graves.
 - Portez toujours un équipement de protection individuelle approprié lorsque vous utilisez différents outils.

APPRENEZ À CONNAÎTRE VOTRE PRODUIT

Voir page 195.

1. Supports de tuyau
2. Raccord rapide
3. Coupleur mâle CPL à haut débit 1/4 po BSP
4. Manomètre de pression de réservoir
5. Bouton du régulateur de pression
6. Manomètre
7. Poignée de transport
8. Soupape de sécurité
9. Interrupteur marche/arrêt
10. Pack batterie
11. Robinet de purge
12. Bouton de réinitialisation

DÉBALLAGE

Inspectez soigneusement l'outil pour vous assurer qu'il n'a pas été cassé ou endommagé pendant la livraison.

Ne jetez pas l'emballage avant d'avoir inspecté avec soin l'outil et avoir été satisfait de son fonctionnement.

⚠ AVERTISSEMENT

Si des pièces sont endommagées ou manquantes, ne faites pas fonctionner cet appareil avant d'avoir remplacé ces pièces. L'utilisation de ce produit avec des pièces endommagées ou manquantes peut entraîner de graves blessures.



⚠ AVERTISSEMENT

Ne tentez pas de modifier cet outil ou de créer des accessoires dont l'utilisation n'est pas recommandée avec cet outil. Toute altération ou modification de la sorte constitue un mésusage et peut entraîner des situations risquées pouvant entraîner de graves blessures.

⚠ AVERTISSEMENT

Pour éviter tout démarrage accidentel pouvant provoquer des blessures graves, retirez toujours le pack de batterie du produit quand vous assemblez des pièces.

UTILISATION

PRÉPARATION

Connecter/déconnecter un tuyau d'air

Voir page 196.

NOTE: Pour les opérations à des pressions supérieures à 7 bar (102 psi), les tuyaux d'alimentation doivent être équipés de cordon de sécurité, par ex. un fil de fer.

1. Assurez-vous que le bouton de marche/arrêt est en position d'arrêt (O) et que le pack de batterie est débranché.
2. Tirez sur le bouton de réglage de la pression vers l'extérieur pour permettre l'ajustement. Tournez le bouton de réglage de la pression complètement dans le sens antihoraire.
3. Assurez-vous que la pression en sortie de compresseur est à zéro bar.
4. Reliez un tuyau d'air muni d'un connecteur au coupleur à raccord rapide de 6,35 mm (1/4 po.) sur le compresseur pneumatique. Assurez-vous d'enfoncer complètement le connecteur dans le coupleur jusqu'à ce que le manchon du coupleur s'enclenche pour verrouiller le connecteur.

Pour débrancher un tuyau d'air ou un outil pneumatique

1. Tirez sur le bouton de réglage de la pression vers l'extérieur pour permettre l'ajustement. Tournez le bouton de réglage de la pression complètement dans le sens antihoraire.
2. Assurez-vous que la pression en sortie de compresseur est à zéro bar.
3. Tirez sur la bague de déverrouillage du raccord rapide de 6,35 mm (1/4 in.). En tenant fermement, tirez sur le connecteur qui est fixé au coupleur à raccord rapide.

Brancher/retirer le pack de batterie

1. Assurez-vous que le bouton de marche/arrêt est en position d'arrêt (O).
2. Insérez le pack de batterie dans le socle de la batterie.
3. Assurez-vous que les languettes de chaque côté du bloc de batterie se verrouillent bien en place et que le bloc de batterie est bien bloqué dans l'outil avant de commencer le travail.
4. Appuyez sur les languettes pour retirer le pack batterie.
5. Pour des instructions complètes concernant le chargement, consultez le manuel d'utilisation du pack

de batterie et de son chargeur.

UTILISER LE COMPRESSEUR PNEUMATIQUE

⚠ DANGER

Ne démontez pas les robinets de purge du réservoir ou la soupape de sécurité avec de l'air contenu dans le réservoir. Laissez l'air s'échapper du réservoir d'air. Le non-respect de dépressurisation du réservoir d'air peut entraîner une explosion et/ou de graves blessures.

⚠ AVERTISSEMENT

Portez toujours des lunettes de sécurité avec écrans de protection latéraux. Dans le cas contraire, des objets pourraient être projetés vers vos yeux et provoquer de graves blessures.

⚠ AVERTISSEMENT

N'utilisez pas de pièces ou accessoires autres que ceux recommandés par le fabricant pour cet outil. L'utilisation d'accessoires non recommandés peut entraîner de graves blessures.

⚠ AVERTISSEMENT

Ne branchez aucun outil sur l'extrémité libre du tuyau tant que la procédure de démarrage n'est pas terminée.

⚠ AVERTISSEMENT

Retirez toujours le pack batterie de votre outil lorsque vous-y montez des accessoires, lorsque vous effectuez des réglages, lorsque vous le nettoyez ou lorsque vous ne l'utilisez pas. Le retrait du pack batterie évitera toute mise en marche accidentelle susceptible de provoquer des blessures graves.

⚠ AVERTISSEMENT

Ne pas utiliser en environnement poussiéreux ou contaminé. L'utilisation du compresseur pneumatique dans ce type d'environnement est susceptible d'endommager le produit.

Ajuster la pression de l'air

Voir page 197.

1. Assurez-vous que le bouton de marche/arrêt est en position d'arrêt (O) et que le pack de batterie est retiré.
2. Branchez le pack de batterie au produit.
3. Appuyez sur marche/arrêt pour mettre en position de marche (I).
4. Tirez sur le bouton de réglage de la pression vers l'extérieur pour permettre l'ajustement.
5. Tournez le bouton de réglage de la pression au niveau souhaité. La pression en sortie augmente lorsque l'on tourne le bouton dans le sens des aiguilles d'une montre. La pression en sortie diminue lorsque l'on tourne le bouton dans le sens inverse des aiguilles



d'une montre. Appuyez sur le bouton de réglage de la pression pour empêcher toute modification du réglage.

- En suivant toutes les précautions de sécurité de ce manuel et les instructions du fabricant dans le manuel de l'outil pneumatique, vous pouvez ensuite utiliser votre outil.

⚠ AVERTISSEMENT

Les outils pneumatiques peuvent requérir une quantité d'air supérieure à ce que ce compresseur pneumatique est capable de fournir. Vérifiez le mode d'emploi de l'outil pour éviter de l'endommager ou de vous blesser.

- Contrôlez le flux d'air à l'aide du bouton du régulateur de pression. En tournant le bouton complètement dans le sens antihoraire, le flux d'air s'arrêtera totalement.

NOTE: Utilisez toujours la pression minimale nécessaire à votre application. L'utilisation d'une pression plus élevée que nécessaire videra l'air du réservoir plus rapidement et entraînera une mise en marche de l'appareil plus fréquente.

- Pour éteindre le compresseur pneumatique, appuyez sur le bouton marche/arrêt pour le mettre en position d'arrêt (O).

NOTE: Quand le compresseur est en marche (I), la pressurisation commencera automatiquement si la pression du réservoir chute sous un seuil de pression déterminé. Il s'éteindra également à nouveau si la pression souhaitée est atteinte.

⚠ AVERTISSEMENT

Ne dépassez jamais la pression spécifiée pour l'outil pneumatique, suivant les recommandations du fabricant. Si vous utilisez ce compresseur pneumatique pour le gonflage, suivez toujours les consignes de gonflage maximal spécifié par le fabricant de l'objet que vous gonflez.

⚠ AVERTISSEMENT

Assurez-vous toujours que le bouton marche/arrêt est en position d'arrêt (O) et que la pression du régulateur est à zéro avant de changer d'outil pneumatique ou de débrancher le tuyau de la sortie d'air. Le non respect de cet avertissement peut entraîner de graves blessures.

- Une fois que vous avez terminé, videz toujours le réservoir et retirez le pack de batterie. Ne laissez jamais le produit en marche ou branché au pack de batterie.

VIDANGER LE RÉSERVOIR D'AIR

Voir page 198.

Pour éviter la corrosion du réservoir et le garder au sec, le réservoir d'air du compresseur doit être vidé tous les jours.

Pour vider le réservoir d'air:

- Assurez-vous que le bouton de marche/arrêt est en position d'arrêt (O).
- Retirez le bloc-batteries.
- Tirez sur l'anneau de la soupape de relâchement de

pression jusqu'à ce que le manomètre du réservoir affiche une pression inférieure à 1,4 bar (20 psi).

- Relâchez la bague.
- Tournez le levier du robinet de purge dans le sens antihoraire pour évacuer l'humidité.

NOTE: La condensation est un produit polluant et doit être jetée en respectant les règlements locaux.

- Tournez le levier du robinet de purge dans le sens horaire pour le refermer.

BOUTON DE RÉINITIALISATION

Si le courant du moteur du compresseur pneumatique dépasse l'unité spécifiée, ce dernier s'arrête automatiquement.

Pour réinitialiser le compresseur pneumatique :

- Retirer le bloc-batteries.
- Arrêtez l'outil.
- Attendre trois minutes que le moteur refroidisse.
- Appuyez sur le bouton de remise à zéro.
- Brancher le bloc-batteries au produit.
- Mettez le produit en marche.

CHANGER UN COUPLEUR

Voir page 199.

- Assurez-vous que le bouton de marche/arrêt est en position d'arrêt (O).
- Retirer le bloc-batteries.
- Tirez sur l'anneau de la soupape de relâchement de pression jusqu'à ce que le manomètre du réservoir affiche une pression inférieure à 1,4 bar (20 psi).
- Relâchez la bague.
- Desserrez le coupleur avec une clé à molette en tournant dans le sens antihoraire et retirez-le.
- Installez un nouveau coupleur et serrez-le avec une clé à molette en tournant dans le sens horaire.

TRANSPORT ET STOCKAGE

Voir page 200 - 201.

- Assurez-vous que le bouton de marche/arrêt est en position d'arrêt (O).
- Retirer le bloc-batteries.
- Faites tourner l'outil pneumatique pour faire diminuer la pression dans le tuyau, puis retirez le tuyau d'air et l'outil pneumatique. Retirez l'air en tirant sur la soupape de relâchement de la pression.
- Vidangez l'eau du réservoir comme indiqué au paragraphe « Vidanger le réservoir d'air ».
- Nettoyez le produit avec un chiffon sec.
- Enroulez le tuyau d'air autour des supports de tuyau.
- Portez le produit par la poignée.
- Entreposez le compresseur pneumatique en position de fonctionnement normal dans une zone sèche et protégée.

⚠ AVERTISSEMENT

De l'eau se condensera dans le réservoir du compresseur pneumatique quand il fonctionnera. L'eau qui reste dans le réservoir peut provoquer la corrosion ou la fragilité du réservoir, ce qui augmente le risque de perforation.

EN
FR
DE
ES
IT
NL
PT
DA
SV
FI
NO
RU
PL
CS
HU
RO
LV
LT
ET
HR
SL
SK
BG
UK
TR
EL



⚠ AVERTISSEMENT

Débranchez toujours le tuyau d'air des outils quand ils ne sont pas utilisés ou pendant l'entretien. Pendant l'entretien, un outil branché au tuyau d'air peut se mettre en marche accidentellement et provoquer de graves blessures.

⚠ AVERTISSEMENT

Le non-respect du retrait du pack de batterie avant l'entreposage du compresseur pneumatique peut provoquer une marche continue de ce dernier et provoquer sa surchauffe, des dommages, voire même un incendie.

ENTRETIEN

ENTRETIEN GÉNÉRAL

- Évitez d'utiliser des solvants pour nettoyer les parties en plastique. La plupart des plastiques sont susceptibles d'être endommagés par différents types de solvants du commerce. Utilisez des chiffons propres pour retirer la saleté, les poussières, l'huile, la graisse, etc.
- Ne laissez jamais du liquide de frein, de l'essence, des produits pétroliers, des huiles pénétrantes, etc. entrer en contact avec les éléments en plastique. Les produits chimiques peuvent endommager, affaiblir ou détruire les plastiques, ce qui pourrait entraîner de graves blessures.
- Éliminez toujours toute la pression, retirez le pack de batterie et laissez le produit refroidir avant de le nettoyer ou de le réparer.
- Ne modifiez le produit d'aucune façon et n'utilisez aucun accessoire non recommandé par le fabricant. Votre sécurité et celle des autres pourrait en être affectée.
- N'utilisez pas le produit si un de ses interrupteurs, une de ses protections ou autre élément de fonctionne pas correctement. Retournez-le à un service après-vente agréé pour le faire remplacer ou réparer de façon professionnelle.
- Veillez toujours à ce que le pack de batterie soit retiré du produit avant d'effectuer des réglages, de graisser ou d'entretenir le produit.
- Avant et après chaque utilisation du produit, vérifiez l'absence de dommages et d'éléments abîmés. Gardez le produit en parfait état de fonctionnement en remplaçant immédiatement les pièces avec des pièces détachées agréées par le fabricant.

⚠ AVERTISSEMENT

Pour plus de sécurité et de fiabilité, toutes les réparations doivent être effectuées par un service après-vente agréé.

PROTECTION DE L'ENVIRONNEMENT



Recyclez les matières premières au lieu de les jeter avec les ordures ménagères. Pour protéger l'environnement, l'outil, les accessoires et les emballages doivent être triés.

SYMBOLES APPLIQUÉS SUR LE PRODUIT



Alerte de sécurité



Veillez lire attentivement le mode d'emploi avant de démarrer la machine.



Conformité CE



Marque de conformité d'Eurasie



Marque de conformité ukrainienne



Toujours porter des lunettes protectrices en travaillant avec la machine.



Portez une protection acoustique.



Utilisation à l'intérieur



Alerte par temps humide. Ne pas exposer à la pluie Rangez-le à l'intérieur.



Risque pour l'appareil respiratoire humain. L'air obtenu directement du compresseur pneumatique ne doit jamais être utilisé pour donner de l'air à un être humain.



Risque d'éclatement. Ne réglez pas le régulateur afin d'obtenir une pression en sortie supérieure à la pression maximale indiquée pour l'accessoire. N'appliquez de pression supérieure à 10 bar.



Le compresseur peut démarrer de manière inopinée.



EN
FR
DE
ES
IT
NL
PT
DA
SV
FI
NO
RU
PL
CS
HU
RO
LV
LT
ET
HR
SL
SK
BG
UK
TR
EL

Risque d'incendie ou d'explosion.

L'environnement de pulvérisation doit être bien ventilé. Ne fumez pas lorsque vous pulvérisez ne pulvérisez pas en présence de flammes ou d'étincelles. Gardez les compresseurs aussi éloignés que possible de la zone de pulvérisation. Gardez le compresseur éloigné à moins 10 m de distance de la zone de pulvérisation et de toute source de vapeurs explosives.



Pression régulée



Pression du réservoir



Les produits électriques hors d'usage ne doivent pas être jetés avec les ordures ménagères. Recyclez-les par l'intermédiaire des structures disponibles. Contactez les autorités locales ou votre distributeur pour vous renseigner sur les conditions de recyclage.

SYMBOLES PRÉSENTS DANS LE MANUEL



Pièces détachées et accessoires vendus séparément



Note



Avertissement

Les symboles suivants, et les noms qui leur sont associés, permettent d'expliquer les différents niveaux de risques liés à l'utilisation de cet outil.

⚠ DANGER

Imminence d'un danger qui, si l'on n'y prend garde, peut entraîner des blessures graves voire mortelles.

⚠ AVERTISSEMENT

Situation potentiellement dangereuse qui, si l'on n'y prend garde, peut entraîner des blessures graves voire mortelles.

⚠ ATTENTION

Situation potentiellement dangereuse qui, si l'on n'y prend garde, peut entraîner des blessures moyennes ou légères.

ATTENTION

(Sans symbole de sécurité) Indique une situation pouvant provoquer des dommages matériels.



Sicherheit, Leistung und Zuverlässigkeit hatten oberste Priorität bei der Entwicklung Ihres Druckluftkompressors.

BESTIMMUNGSGEMÄSSE VERWENDUNG

Der Druckluftkompressor wurde ausschließlich zur Bereitstellung von unter Druck stehender Luft entwickelt. Er darf nicht zum Komprimieren anderer Gase verwendet werden.

Das Gerät wurde entwickelt, um druckluftbetriebene Werkzeuge zu betreiben und Druckluft-Artikel wie Auto- und Fahrradreifen aufzupumpen.

Das Produkt ist nur für den Gebrauch durch Erwachsene vorgesehen, die die Bedienungsanleitung und Warnungen gelesen und verstanden haben und als verantwortlich für ihre Handlungen erachtet werden können.

Das Gerät sollte ausschließlich in Innenräumen verwendet werden.

Benutzen Sie das Produkt nicht für andere Aufgaben, als die genannten bestimmungsgemäßen Verwendungen. Der Einsatz des Werkzeugs für Arbeiten, für die es nicht vorgesehen ist, kann zu gefährlichen Situationen führen.

ALLGEMEINE SICHERHEITSWARNUNGEN

WARNUNG

Lesen Sie alle Sicherheitshinweise und Anweisungen aufmerksam durch. Die Missachtung der nachfolgenden Anweisungen kann zu Unfällen wie Bränden, elektrischen Schlägen und/oder schweren Verletzungen führen.

Bewahren Sie diese Sicherheitshinweise und Anweisungen für einen späteren Gebrauch gut auf.

WARNUNG

Bei der Verwendung elektrischer Werkzeuge sollten immer einige grundlegende Sicherheitsvorkehrungen getroffen werden, um die Gefahr von Feuer, Stromschlag und Verletzungen zu verringern. Lesen Sie vor der Benutzung des Produkts die Anleitung vollständig durch und bewahren Sie die Anleitung auf.

ARBEITSPLATZSICHERHEIT

- Halten Sie den Arbeitsbereich sauber. Unordentliche Arbeitsbereiche und Werkbänke bergen Unfallrisiken. Lassen Sie keine anderen Werkzeuge oder Holzstücke auf dem Werkzeug liegen, während es in Betrieb ist.
- Verwenden Sie das Gerät nicht in Gefahrenumgebungen. Arbeiten Sie mit Elektrowerkzeugen nicht an feuchten oder nassen Orten und setzen Sie sie nicht Regen aus. Sorgen Sie dafür, dass der Arbeitsbereich gut beleuchtet ist.
- Kinder und Tiere fern halten. Alle beistehenden Personen sollten Schutzbrillen tragen und sicheren Abstand zum Arbeitsbereich halten. Lassen Sie andere Personen das Gerät während des Betriebs nicht berühren.
- Arbeiten Sie niemals in einer explosiven Atmosphäre.

Der normale Zündfunke des Motors könnte Gase entzünden.

ELEKTRISCHE SICHERHEIT

- Sollte ein elektrischer Bestandteil des Gerätes nicht ordnungsgemäß funktionieren, schalten Sie das Gerät aus, entfernen Sie den Akku und setzen Sie ihn wieder ein, bevor Sie das Gerät wieder einschalten.
- Halten Sie Elektrowerkzeuge von Regen oder Nässe fern. Das Eindringen von Wasser in ein Elektrowerkzeug erhöht das Risiko eines elektrischen Schlages.

SICHERHEIT VON PERSONEN

- Bleiben Sie aufmerksam und behalten Sie die Kontrolle. Achten Sie auf das, was sie tun, und setzen Sie Ihren gesunden Menschenverstand ein. Arbeiten Sie mit dem Gerät nicht, wenn Sie müde sind. Hetzen Sie sich nicht.
- Tragen Sie geeignete Kleidung. Tragen sie keine lockere Kleidung, Krawatten oder Schmuck die sich verfangen und Sie in sich bewegende Teile ziehen können. Für Außenarbeiten empfehlen wir Gummihandschuhe und rutschfestes Schuhwerk. Tragen Sie eine schützende Haarbedeckung zum Zurückhalten langer Haare.
- Tragen Sie immer eine Sicherheitsbrille mit Seitenschutz. Gewöhnliche Brillen haben nur schlagfeste Gläser; sie sind KEINE Sicherheitsbrillen.
- Schützen Sie Ihre Atemwege! Tragen Sie einen Gesichtsschutz oder eine Staubschutzmaske, wenn beim Arbeiten Staub entsteht.
- Schützen Sie Ihr Gehör! Tragen Sie während längerer Anwendungszeiträume Gehörschutz.
- Vermeiden Sie eine abnormale Körperhaltung. Sorgen Sie für einen sicheren Stand und halten Sie jederzeit das Gleichgewicht.
- Entfernen Sie Einstellhilfen und Schraubenschlüssel. Machen Sie es sich zur Gewohnheit, vor Einschalten des Geräts zu prüfen, ob alle Einstellhilfen und Schraubenschlüssel etc. von dem Werkzeug entfernt wurden.

NUTZUNG UND PFLEGE DES DRUCKLUFTKOMPRESSORS

- Überschreiten Sie nicht den Nenndruck eines jeden Teils des Systems.
- Schützen Sie Kabel und Luftschläuche vor Beschädigungen und Löchern. Schützen Sie den Schlauch vor scharfen Gegenständen, verschütteten Chemikalien, Öl und Lösungsmitteln und halten Sie ihn von nassen Böden fern.
- Überprüfen Sie vor jeder Benutzung die Schläuche auf Schäden oder Abnutzung und vergewissern Sie sich, dass alle Verbindungen sicher sind. Benutzen Sie den Schlauch nicht, wenn ein Defekt gefunden wurde. Kaufen Sie einen neuen Schlauch oder beauftragen Sie einen autorisierten Kundendienst mit der Überprüfung oder Reparatur.
- Lassen Sie den gesamten Druck in dem System langsam ab. Staub und Schmutz können schädlich sein.



EN
FR
DE
ES
IT
NL
PT
DA
SV
FI
NO
RU
PL
CS
HU
RO
LV
LT
ET
HR
SL
SK
BG
UK
TR
EL

- Bewahren Sie den Druckluftkompressor bei Nichtbenutzung außerhalb der Reichweite von Kindern und anderen ungeübten Personen auf. Druckluftkompressoren sind in den Händen von ungeübten Nutzern gefährlich.
- Warten Sie den Druckluftkompressor sorgsam. Befolgen Sie die Anweisungen zur Wartung. Ordentlich gewartete Werkzeuge sind einfach zu kontrollieren.
- Kontrollieren Sie, ob bewegliche Teile einwandfrei funktionieren und nicht klemmen, ob Teile gebrochen oder so beschädigt sind, dass die Funktion des Elektrowerkzeuges beeinträchtigt ist. Lassen Sie das Werkzeug vor der Benutzung warten, wenn es beschädigt ist. Viele Unfälle werden durch schlecht gepflegte Werkzeuge verursacht.
- Halten Sie das Äußere des Geräts trocken, sauber und frei von Öl und Fett. Benutzen Sie zum Reinigen immer einen sauberen Lappen. Verwenden Sie nie Bremsflüssigkeit, Benzin, Produkte auf Erdölbasis oder starke Lösungsmittel um das Werkzeug zu reinigen. Das Befolgen dieser Regel verringert die Gefahr der Alterung des Kunststoffgehäuses.

SERVICE

- Verwenden Sie zur Wartung ausschließlich original Ryobi Ersatzteile des Herstellers. Der Einsatz von anderen Teilen kann eine Gefahr verursachen oder das Produkt beschädigen.

Bewahren Sie diese Anleitung auf. Lesen Sie sie regelmäßig nach und verwenden Sie sie zur Einweisung anderer Anwender. Sollten Sie dieses Werkzeug jemandem leihen, geben Sie dieser Person auch diese Anleitung.

SICHERHEITSHINWEISE ZUM DRUCKLUFTKOMPRESSOR

- Machen Sie sich mit Ihrem Produkt vertraut. Lesen Sie sorgfältig die Bedienungsanleitung. Machen Sie sich mit den Funktionen und Einschränkungen, sowie den besonderen potenziellen Gefahren dieses Werkzeugs, vertraut. Das Risiko von elektrischen Schlägen, Bränden oder schweren Verletzungen wird dadurch reduziert.
- Entfernen Sie nach jeder Benutzung Flüssigkeit aus dem Lufttank. Wenn das Gerät eine Zeitlang nicht genutzt wird, sollte das Ablaufventil bis zur nächsten Verwendung geöffnet bleiben. So kann die Flüssigkeit vollständig ablaufen; dies hilft, Korrosion im Inneren des Tanks zu verhindern.
- Brand- und Explosionsrisiko: Sprühen Sie brennbare Flüssigkeiten nicht in einem engen Raum. Der Sprühbereich muss gut belüftet sein. Rauchen Sie nicht während Sie sprühen oder sprühen Sie nicht, wenn Funken oder Flammen in der Umgebung sind. Halten Sie das Gerät mindestens 10 m vom Sprühbereich und allen explosiven Dämpfen entfernt.
- Explosionsgefahr. Stellen Sie keinen Ausgangsdruck ein, der den maximalen Ausgangsdruck des Zubehörs überschreitet. Nutzen Sie es nicht mit einem Druck von mehr als 8,3 Bar.
- Um das Risiko eines Stromschlages zu vermeiden, das Produkt vor Regen schützen. Bewahren Sie das

Produkt im Innenbereich auf.

- Untersuchen Sie den Lufttank jährlich auf Rost, Löcher und andere Fehler, die dazu führen können, dass das Gerät nicht mehr sicher ist.
- Schweißen Sie den Lufttank niemals oder bohren Löcher hinein.
- Stellen Sie sicher, dass der Schlauch nicht blockiert oder verheddert ist. Verwickelte oder verhedderte Schläuche können zum Verlust des Gleichgewichts oder des sicheren Stands führen und können dadurch beschädigt werden.
- Nutzen Sie das Produkt nur für die vorgesehenen Zwecke. Ändern oder modifizieren Sie das ursprüngliche Design oder die Funktion des Gerätes nicht.
- Seien Sie sich immer bewusst, dass Missbrauch und falsche Handhabung dieses Werkzeugs zu Verletzungen von Ihnen und anderen Personen führen kann.
- Lassen Sie das Gerät nie unbeaufsichtigt, wenn der Luftschlauch an einem Druckluft-Werkzeug/Produkt befestigt ist.
- Richten Sie keine druckluftbetriebenen Werkzeuge auf sich selbst oder auf andere Personen.
- Benutzen Sie dieses Werkzeug nicht, wenn es keine lesbaren Warnschilder hat.
- Benutzen Sie das Produkt nicht mehr, wenn das Produkt selbst oder der Luftschlauch nicht mehr ordnungsgemäß funktioniert.
- Trennen Sie immer die Luftzufuhr ab und entfernen Sie den Akku, bevor Sie Einstellungen oder Wartungsarbeiten vornehmen oder wenn Sie das Gerät nicht verwenden.
- Versuchen Sie nicht, das Produkt am Schlauch zu ziehen oder zu tragen.
- Möglicherweise ist für Ihr Werkzeug ein höherer Luftdruck nötig, als das Gerät erzeugen kann.
- Befolgen Sie zusätzlich zu allen Sicherheitshinweisen für den Druckluftkompressor immer alle Sicherheitshinweise des Herstellers Ihres druckluftbetriebenen Werkzeugs. Das Befolgen dieser Anweisungen verringert die Gefahr schwerer Verletzungen.
- Richten Sie niemals einen Druckluftstrahl auf Menschen oder Tiere. Achten Sie darauf nicht Staub und Schmutz in Ihre Richtung oder in Richtung anderer Personen zu blasen. Das Befolgen dieser Regel verringert die Gefahr schwerer Verletzungen.
- Nutzen Sie das Produkt nicht zum Versprühen von Chemikalien. Ihre Lungen können durch das Einatmen von giftigen Dämpfen verletzt werden. Ein Atemschutzgerät kann in staubiger Umgebung oder beim Sprühen von Farbe erforderlich sein. Nicht während des Malens tragen.
- Überprüfen Sie regelmäßig die Kabel und Schläuche und, falls beschädigt, lassen Sie sie von Ihrem nächsten autorisierten Kundendienst reparieren. Beachten Sie stets, wo Kabel und Schläuche verlaufen. Durch Befolgung dieser Anweisung verringern Sie die Risiken eines elektrischen Schlag oder Feuer.





- Kontrollieren Sie, ob bewegliche Teile einwandfrei funktionieren und nicht klemmen, ob Teile gebrochen oder so beschädigt sind, dass die Funktion des Elektrowerkzeuges beeinträchtigt ist. Lassen Sie das Werkzeug vor der Benutzung warten, wenn es beschädigt ist. Viele Unfälle werden durch schlecht gepflegte Werkzeuge verursacht.
- Wenn zwecks regelmäßiger Wartung oder Reparatur feste Sicherheitsvorrichtungen entfernt werden müssen, verbleiben die Befestigungssysteme der Sicherheitsvorrichtung entweder an dieser selbst oder am Produkt.
- Lagern Sie niemals das Werkzeug niemals mit angeschlossenem Luftschlauch. Wenn Das Werkzeug gelagert wird, während die Luftzufuhr angeschlossen ist, kann dies zu unvorhersehenen Betrieb, Bränden oder Bewegung und möglicherweise schwerwiegenden Verletzungen führen.
- Schützen Sie Ihre Atemwege! Tragen Sie einen Gesichtsschutz oder eine Staubschutzmaske, wenn beim Arbeiten Staub entsteht. Das Befolgen dieser Regel verringert die Gefahr schwerer Verletzungen.
- Bewahren Sie diese Anleitung auf. Lesen Sie darin regelmäßig nach und verwenden Sie sie zur Einweisung anderer Personen, die dieses Produkt benutzen könnten. Sollten Sie dieses Werkzeug jemandem leihen, geben Sie dieser Person auch diese Anleitung.
- Bedienen Sie das Werkzeug von der Vorderseite der Bedientafel.
- Wenn Das Werkzeug in Betrieb ist, können viele Teile der Maschine hohe Temperaturen verursachen. Benutzen Sie erforderliche Schutzausrüstung wie Handschuhe um Verletzungen aufgrund hoher Temperaturen zu vermeiden.
- Das Produkt wurde nicht zur Nutzung durch Personen mit eingeschränkter körperlichen, sensorischen oder geistigen Fähigkeiten (einschließlich Kindern) oder Personen mit mangelnder Erfahrung und Kenntnis entwickelt. Kinder sollten beaufsichtigt werden, um sicherzustellen, dass sie nicht mit dem Produkt spielen.
- **Verwenden Sie Elektrowerkzeuge ausschließlich mit geeigneten Akkus.** Die Nutzung anderer Akkus kann zum Risiko von Verletzungen und Feuer führen.
- **Halten Sie den nicht benutzten Akku fern von Büroklammern, Münzen, Schlüsseln, Nägeln, Schrauben oder anderen kleinen Metallgegenständen, die eine Überbrückung der Kontakte verursachen könnten.** Das Kurzschließen der Akkuanschlüsse kann Verbrennungen oder Brände verursachen.
- **Bei Missbrauch kann Flüssigkeit aus dem Akku austreten; vermeiden Sie die Berührung. Bei versehentlicher Berührung spülen Sie die Flüssigkeit mit viel Wasser ab. Sollte Flüssigkeit in die Augen gelangen, suchen Sie darüber hinaus einen Arzt auf.** Aus dem Akku ausgetretene Flüssigkeit kann Irritationen und Verbrennungen verursachen.
- **Batteriebetriebene Produkte müssen nicht an eine Steckdose angeschlossen werden; sie sind daher jederzeit betriebsbereit. Achten Sie bei dem Nichtgebrauch des batteriebetriebenen Produkts und beim Zubehöraustausch auf mögliche Gefahren.** Das Risiko von elektrischen Schlägen, Bränden oder schweren Verletzungen wird dadurch reduziert.
- **Halten Sie batteriebetriebene Produkte bzw. deren Akkus von Feuer und Hitze fern.** Dies verringert das Explosions- und Verletzungsrisiko.
- **Zerdrücken oder beschädigen Sie den Akku nicht und lassen Sie ihn nicht fallen. Verwenden Sie niemals Akkus oder Ladegeräte, die auf den Boden gefallen sind, oder einem starken Schlag ausgesetzt waren.** Ein beschädigter Akku kann explodieren. Entsorgen Sie einen auf den Boden gefallen oder beschädigten Akku unverzüglich und ordnungsgemäß.
- **Batterien können bei Vorhandensein einer Zündquelle, wie z. B. eine Zündflamme, explodieren.** Verwenden Sie daher zur Verringerung der Gefahr schwerer Verletzungen niemals ein Akku-Produkt bei Vorhandensein offenen Feuers. Ein explodierender Akku kann Trümmerteile und Chemikalien streuen. Falls betroffen, sofort mit Wasser abspülen.
- **Laden Sie das akkubetriebene Gerät nicht an feuchten oder nassen Orten auf.** Das Risiko von elektrischen Schlägen wird dadurch reduziert.
- **Für die besten Ergebnisse sollte Ihr Batterieprodukt an einem Ort geladen werden, an dem die Temperatur höher als 10°C und niedriger als 38°C ist. Um das Risiko schwerer Verletzungen zu reduzieren, bewahren Sie das Produkt nicht im Freien oder in Fahrzeugen auf.**
- **Unter extremen Anwendungs- oder Temperaturbedingungen kann ein Auslaufen auftreten. Wenn Ihre Haut in Kontakt mit Flüssigkeit kommt, sofort mit Seife und Wasser waschen. Falls die Flüssigkeit in die Augen gerät, spülen Sie diese mindestens 10 Minuten lang mit sauberem Wasser aus und nehmen Sie dann umgehend ärztliche Hilfe in Anspruch.** Das Befolgen dieser Regel verringert die Gefahr schwerer Verletzungen.
- **Verwenden Sie keine beschädigten oder modifizierten Akkus.** Beschädigte oder modifizierte Akkus können zu unvorhersehbaren Reaktionen führen,

SICHERHEITSWARNUNGEN FÜR AKKU UND LADEGERÄT

⚠️ WARNUNG

Um die durch einen Kurzschluss verursachte Gefahr eines Brandes, von Verletzungen oder Produktbeschädigungen zu vermeiden, tauchen Sie das Werkzeug, den Wechselakku oder das Ladegerät nicht in Flüssigkeiten ein und sorgen Sie dafür, dass keine Flüssigkeiten in die Geräte und Akkus eindringen. Korrodierende oder leitfähige Flüssigkeiten, wie Salzwasser, bestimmte Chemikalien und Bleichmittel oder Produkte, die Bleichmittel enthalten, können einen Kurzschluss verursachen.

- **Laden Sie den Akku ausschließlich mit dem vom Hersteller angegebenen Ladegerät auf.** Für ein Ladegerät, das für eine bestimmte Art von Akkus geeignet ist, besteht Brandgefahr, wenn es mit anderen Akkus verwendet wird.





was zu Feuer, Explosion oder Verletzungsgefahr führt.

- **Versuchen Sie nicht, einen beschädigten Akku zu modifizieren oder zu reparieren.**
- **Setzen Sie Akkus oder Werkzeuge nicht Feuer oder zu hohen Temperaturen aus.** Feuereinwirkung oder hohe Temperaturen über 130° C können zu einer Explosion führen.
- **Befolgen Sie alle Ladeanweisungen und laden Sie den Akku nicht außerhalb des in der Anleitung angegebenen Temperaturbereichs auf.** Bei unsachgemäßer Aufladung oder Aufladung bei Temperaturen außerhalb des angegebenen Bereichs kann der Akku beschädigt und das Brandrisiko erhöht werden.

TRANSPORT VON LITHIUM AKKUS

Transportieren Sie den Akku gemäß Ihren örtlichen und nationalen Bestimmungen und Regeln.

Befolgen Sie alle besonderen Anforderungen für Verpackung und Beschriftung, wenn Sie Akkus von Dritten transportieren lassen. Stellen Sie sicher, dass beim Transport kein Akku in Kontakt mit anderen Akkus oder leitenden Materialien kommt, indem Sie die freien Anschlüsse mit Isolierband, nichtleitenden Kappen oder Klebeband schützen. Transportieren Sie keine Akkus die gebrochen oder undicht sind. Befragen Sie Ihre Transportfirma nach weiteren Informationen.

AKKU

Akkus, die seit einiger Zeit nicht benutzt wurden, sollten vor Gebrauch wieder aufgeladen werden.

Temperaturen über 50 °C (122 °F) reduzieren die Leistung des Akkupacks. Vermeiden Sie eine längere Hitzeeinwirkung oder Sonneneinstrahlung (Überhitzungsgefahr).

Die Kontakte von Ladegerät und Akku müssen saubergehalten werden.

Für eine optimale Lebensdauer müssen die Akkupacks nach dem Gebrauch voll aufgeladen werden.

Um eine möglichst lange Akkulebensdauer zu erreichen, entfernen Sie den Akku aus dem Ladegerät, sobald er vollständig aufgeladen ist.

Bei einer Lagerung des Akkus für mehr als 30 Tage:

- Lagern Sie den Akku bei einer Temperatur unter 27 °C und vor Feuchtigkeit geschützt.
- Lagern Sie den Akku mit einer Ladung von 30 bis 50 %.
- Laden Sie den Akku nach jeweils sechs Monaten der Lagerung normal.

SCHUTZ DES AKKUS

Der Akku verfügt über einen Überladungsschutz, der ihn vor dem Überladen schützt und hilft, eine lange Lebensdauer zu gewährleisten. Bei extremer Belastung schaltet die Elektronik des Akkus das Gerät automatisch ab. Um das Gerät neu zu starten, schalten Sie es aus und wieder ein. Wenn sich das Gerät nicht wieder einschaltet, ist der Akku möglicherweise vollständig entladen. In diesem Fall muss er im Ladegerät aufgeladen werden.

RESTRISIKEN

Sogar wenn das Produkt wie vorgeschrieben benutzt wird, ist es unmöglich ein gewisses Restrisiko vollständig auszuschließen. Die folgenden Gefahren können bei der Benutzung entstehen, und der Benutzer sollte besonders auf folgende Punkte achten:

- Nutzen Sie das Gerät nur für die vorgesehenen Zwecke. Ändern oder modifizieren Sie das ursprüngliche Design oder die Funktion des Gerätes nicht.
- Seien Sie sich immer bewusst, dass Missbrauch und falsche Handhabung dieses Werkzeugs zu Verletzungen von Ihnen und anderen Personen führen kann.
- Lassen Sie das Produkt nie unbeaufsichtigt, wenn der Schlauch an einem Druckluft-Werkzeug/Produkt befestigt ist.
- Benutzen Sie ein undichtes oder nicht funktionierendes Werkzeug oder Schlauch nicht weiter.
- Explosionsgefahr
 - Stellen Sie keinen Ausgangsdruck ein, der den maximalen Ausgangsdruck des Zubehörs überschreitet.
- Bei Betrieb des Produkts können hohe Temperaturen entstehen. Das Berühren offenliegender Metallteile kann zu schwerwiegenden Verbrennungen führen.
 - Bewahren Sie den Druckluftkompressor immer außerhalb der Arbeitsbereiche auf.
- Lärm kann zu Gehörschäden führen
 - Gehörschutz tragen.
- Das Gas aus dem Druckluftkompressor kann Schmutz, Späne, lose Partikel und kleine Objekte mit hoher Geschwindigkeit verbreiten. Das kann zu schwerwiegenden Verletzungen und auch dazu führen, dass Partikel in die Augen geschleudert werden.
 - Tragen Sie immer die korrekte persönliche Schutzausrüstung beim Umgang mit verschiedenen Werkzeugen.

MACHEN SIE SICH MIT IHREM PRODUKT VERTRAUT

Siehe Seite 195.

1. Schlauchhalterung
2. Schnellkupplung
3. PCL-Hochdruck-Steckkoppelverbindung, 1/4" BSP
4. Tank Manometer
5. Druckregler
6. Manometer
7. Tragegriff
8. Sicherheitsventil
9. Ein-/Ausschalter
10. Akku
11. Ablassventil
12. Reset-Taste

AUSPACKEN

Untersuchen Sie das Werkzeug sorgfältig auf etwaige Schäden, die möglicherweise beim Transport entstanden

EN
FR
DE
ES
IT
NL
PT
DA
SV
FI
NO
RU
PL
CS
HU
RO
LV
LT
ET
HR
SL
SK
BG
UK
TR
EL



sind.

Entsorgen Sie das Verpackungsmaterial erst, wenn Sie das Werkzeug sorgfältig untersucht und zufriedenstellend betrieben haben.

⚠ WARNUNG

Falls Teile beschädigt sein sollten oder gar fehlen, darf dieses Produkt erst betrieben werden, wenn diese Teile ersetzt wurden. Die Benutzung dieses Produkts mit beschädigten oder fehlenden Teilen kann zu schwerwiegenden Personenschäden führen.

⚠ WARNUNG

Versuchen Sie nicht dieses Werkzeug zu verändern, oder Zubehörteile, deren Verwendung nicht für dieses Werkzeug empfohlen ist, zu benutzen. Jede solche Änderung oder Umbau ist missbräuchlich, und könnte zu einer gefährlichen Situation mit möglichen schweren Verletzungen führen.

⚠ WARNUNG

Entnehmen Sie beim Montieren von Teilen immer den Akku aus dem Gerät, um versehentliches Starten zu verhindern; dieses könnte zu schwerwiegenden Verletzungen führen.

BETRIEB

VORBEREITUNG

Montieren/Demontieren des Luftschauchs

Siehe Seite 196.

HINWEIS: Beim Betrieb mit einem Druck über 7 bar (102 psi) sollte der Zapschlauch mit einer Sicherheitschnur ausgestattet sein, z. B. mit einem Drahtseil.

1. Achten Sie darauf, dass der Ein/Aus-Schalter auf der AUS-Position (O) steht und dass der Akku nicht eingesetzt ist.
2. Ziehen Sie den Druckregler heraus, um das Einstellen zu ermöglichen. Drehen Sie Druckregler einmal vollständig gegen den Uhrzeigersinn.
3. Stellen Sie sicher, dass der Ausgangsdruck bei 0 bar ist.
4. Befestigen Sie den Luftschlauch mit einem Verbinder an einem Schnellkupplung von 6,35 mm (1/4 in.) am Druckluftkompressor. Achten Sie darauf, den Verbinder vollständig in den Kuppler zu schieben, bis die Muffe des Kupplers nach vorne federt, damit der Verbinder einrastet.

Um einen Luftschlauch von einem druckluftbetriebenen Werkzeug zu entfernen:

1. Ziehen Sie den Druckregler heraus, um das Einstellen zu ermöglichen. Drehen Sie den Druckregler einmal vollständig gegen den Uhrzeigersinn.
2. Stellen Sie sicher, dass der Ausgangsdruck bei 0 bar ist.
3. Ziehen Sie die Manschette der 6,35 mm

Schnellverbindungskupplung zurück. Ziehen Sie den Schlauchverbinder, der am Schnellkuppler befestigt ist, mit festem Griff heraus.

Anschließen/Entfernen des Akkus

1. Achten Sie darauf, dass der Ein/Aus-Schalter auf der AUS-Position (O) steht.
2. Setzen Sie den Akku in das Akkufach ein.
3. Lassen Sie die Laschen auf beiden Seiten des Akkus einrasten und vergewissern Sie sich vor der Benutzung, dass der Akku sicher im Produkt eingerastet ist.
4. Drücken Sie die Verriegelung, um den Akkupack zu entfernen.
5. Die vollständige Ladeanleitung finden Sie in der Bedienungsanleitung für den Akku und das Ladegerät.

VERWENDEN DES DRUCKLUFTKOMPRESSORS

⚠ GEFAHR

Demontieren Sie weder die Ablassventile des Tanks noch das Sicherheitsventil, während sich Luft im Tank befindet. Lassen Sie die Luft aus dem Tank ab. Wird der Druck im Tank nicht verringert, könnte dies zu einer Explosion und/oder schwerwiegenden Verletzungen führen.

⚠ WARNUNG

Tragen Sie immer eine Schutzbrille mit Seitenschutz. Die Missachtung dieser Anweisung kann dazu führen, dass Fremdkörper in Ihre Augen fliegen und schwere Augenverletzungen verursachen können.

⚠ WARNUNG

Verwenden Sie nur vom Hersteller empfohlene Komponenten oder Zubehörteile für dieses Gerät. Die Verwendung von nicht empfohlenen Komponenten oder Zubehörteilen kann zu schweren Verletzungen führen.

⚠ WARNUNG

Schließen Sie keine Werkzeuge an das offene Ende des Schlauchs an, bevor die Startprozedur beendet wurde.

⚠ WARNUNG

Entfernen Sie vor der Montage von Teilen, dem Vornehmen von Einstellungen, dem Reinigen oder bei Nichtgebrauch immer den Akku aus dem Werkzeug. Das Entfernen des Akkus verhindert ein unbeabsichtigtes Einschalten, das schwere Verletzungen verursachen könnte.

⚠ WARNUNG

Nicht in einer staubigen oder anderweitig verunreinigten Umgebung benutzen. Wird der Druckluftkompressor in einer solchen Umgebung verwendet, kann das Gerät beschädigt werden.

Anpassen des Luftdrucks

Siehe Seite 197.

1. Achten Sie darauf, dass der Ein/Aus-Schalter auf der AUS-Position (O) steht und dass der Akku entfernt wurde.
2. Schließen Sie den Akku an das Gerät an.
3. Schalten Sie den Ein/Aus-Schalter auf die EIN-Position (I).
4. Ziehen Sie den Druckregler heraus, um das Einstellen zu ermöglichen.
5. Stellen Sie mit dem Druckregler den gewünschten Druck ein. Drehen im Uhrzeigersinn erhöht den Druck am Auslass. Drehen gegen den Uhrzeigersinn verringert den Druck am Auslass. Drücken Sie den Druckregler wieder in seine Ausgangsposition, um die Einstellfunktion zu sperren.
6. Wenn Sie alle Sicherheitshinweise in dieser Anleitung und die Anweisungen des Herstellers in der Bedienungsanleitung des druckluftbetriebenen Werkzeugs befolgen, können Sie jetzt fortfahren und Ihr druckluftbetriebenes Werkzeug verwenden.

⚠️ WARNUNG

Druckluftbetriebene Werkzeuge haben möglicherweise einen höheren Luftverbrauch, als dieser Druckluftkompressor bereitstellen kann. Sehen Sie in der Bedienungsanleitung nach, um Beschädigung des Werkzeugs und Verletzungen zu vermeiden.

7. Regulieren Sie die Luftmenge mit dem Druckregler. Wenn Sie den Druckregler gegen den Uhrzeigersinn drehen, wird der Luftfluss vollständig gestoppt.
HINWEIS: Verwenden Sie immer den geringsten für Ihre Anwendung erforderlichen Druck. Ein höherer als Druck als erforderlich leert den Tank schneller und lässt das Gerät schneller arbeiten.
8. Um den Druckluftkompressor auszuschalten, drücken Sie den Ein/Aus-Schalter in die AUS-Position (O).
HINWEIS: Wenn der Kompressor eingeschaltet ist (I), beginnt der Kompressionsvorgang automatisch, sobald der gewünschte Druck des Lufttanks unter den vorgegebenen Druck fällt. Er wird beendet, sobald der gewünschte Druck erreicht ist.

⚠️ WARNUNG

Überschreiten Sie niemals den Nenndruck des druckluftbetriebenen Werkzeugs gemäß den Herstellerempfehlungen. Wird dieser Druckluftkompressor zum Aufpumpen verwendet, dann befolgen Sie immer die Anweisungen zum maximalen Aufpumpen gemäß dem Hersteller des aufzupumpenden Gegenstands.

⚠️ WARNUNG

Stellen Sie immer sicher, dass der Ein/Aus-Schalter in der AUS-Position (O) und die Druckangabe des Regulators auf Null steht, bevor Sie druckluftbetriebene Werkzeuge wechseln oder den Schlauch vom Luftaustritt entfernen. Eine Nichtbeachtung dieser Warnung kann zu schweren Personenschäden führen.

9. Leeren Sie nach der jeder Benutzung immer den Tank und entfernen Sie den Akku. Lassen Sie das Gerät niemals unbeaufsichtigt in Betrieb oder an den Akku angeschlossen.

ENTLEEREN DES LUFTTANKS

Siehe Seite 198.

Um Korrosion am Tank und Flüssigkeitseinlagerung im Tank zu verhindern, sollte der Lufttank des Druckluftkompressors täglich entleert werden.

Um den Lufttank zu entleeren:

1. Achten Sie darauf, dass der Ein/Aus-Schalter auf der AUS-Position (O) steht.
2. Entfernen Sie den Akkupack.
3. Ziehen Sie den Ring am Druckablassventil, bis der Tankdruck weniger als 1,4 bar (20 PSI) beträgt.
4. Lassen Sie den Ring los.
5. Drehen Sie den Hebel des Ablassventils gegen den Uhrzeigersinn, um die Feuchtigkeit abzulassen.
HINWEIS: Kondensat ist ein umweltschädliches Material und muss entsprechend den örtlichen Vorschriften entsorgt werden.
6. Drehen Sie den Hebel des Ablassventils im Uhrzeigersinn, um das Ablassventil zu schließen.

RESET-TASTE

Sollte überschreitet, schaltet sich der Druckluftkompressor automatisch ab.

Um den Druckluftkompressor zurückzusetzen:

1. Entfernen Sie den Akkupack.
2. Schalten Sie das Werkzeug aus.
3. Warten Sie drei Minuten, bis der Motor abgekühlt ist.
4. Drücken Sie die Reset-Taste.
5. Schließen Sie den Akku an das Gerät an.
6. Schalten Sie das Produkt an.

WECHSELN DES KUPPLERS

Siehe Seite 199.

1. Achten Sie darauf, dass der Ein/Aus-Schalter auf der AUS-Position (O) steht.
2. Entfernen Sie den Akkupack.
3. Ziehen Sie den Ring am Druckablassventil, bis der Tankdruck weniger als 1,4 bar (20 PSI) beträgt.
4. Lassen Sie den Ring los.
5. Lösen Sie den Kuppler, indem Sie ihn mit einem Schraubenschlüssel gegen den Uhrzeigersinn drehen, und entfernen Sie ihn.
6. Setzen Sie einen neuen Kuppler ein und montieren Sie ihn, indem Sie ihn mit einem Schraubenschlüssel im Uhrzeigersinn anziehen.

EN
FR
DE
ES
IT
NL
PT
DA
SV
FI
NO
RU
PL
CS
HU
RO
LV
LT
ET
HR
SL
SK
BG
UK
TR
EL

TRANSPORT UND AUFBEWAHRUNG

Siehe Seite 200 - 201.

1. Achten Sie darauf, dass der Ein/Aus-Schalter auf der AUS-Position (O) steht.
2. Entfernen Sie den Akkupack.
3. Lassen Sie das druckluftbetriebene Werkzeug laufen, um den Luftdruck im Schlauch abzulassen, und entfernen Sie dann den Luftschauch und das druckluftbetriebene Werkzeug. Lassen Sie die restliche Luft aus dem Tank, indem Sie am Druckentlastungsventil ziehen.
4. Lassen Sie gemäß der Beschreibung im Abschnitt „Entleeren des Lufttanks“ das Wasser aus dem Tank ab.
5. Reinigen Sie das Gerät mit einem trockenen Tuch.
6. Legen Sie den Luftschauch um die Schlauchhalterung.
7. Tragen Sie das Gerät am Tragegriff.
8. Lagern Sie den Druckluftkompressor in seiner normalen Betriebsposition in einem trockenen und geschützten Bereich.

⚠️ WARNUNG

Beim Betrieb des Kompressors kondensiert Wasser im Tank des Druckluftkompressors. Im Tank verbleibendes Wasser kann dazu führen, dass der Tank korrodiert und weniger belastbar wird, wodurch das Risiko eines Tankrisses steigt.

⚠️ WARNUNG

Entfernen Sie bei Nichtbenutzung oder Wartung immer den Luftschauch von Werkzeugen. Sollten Luftschläuche inklusive Druckluftwerkzeug während einer Wartung angeschlossen sein, kann das Druckluftwerkzeug unbeabsichtigt gestartet werden, was zu schwerwiegenden Verletzungen führen kann!

⚠️ WARNUNG

Wird der Akku vor dem Aufbewahren nicht aus dem Druckluftkompressor entfernt, kann das dazu führen, dass der Druckluftkompressor kontinuierlich läuft, was zu Überhitzung, Schäden am Kompressor und möglicherweise auch zu einem Brand führen kann.

WARTUNG UND PFLEGE

ALLGEMEINE WARTUNG UND PFLEGE

- Vermeiden Sie beim Reinigen der Plastikeile den Einsatz von Lösungsmitteln. Die meisten Kunststoffe sind anfällig gegen die verschiedensten Arten von kommerziellen Reinigungsmitteln und können durch deren Verwendung beschädigt werden. Benutzen Sie saubere Lappen um Schmutz, Staub, Öl, Fett usw. zu entfernen.
- Lassen Sie niemals Bremsflüssigkeiten, Benzine, Produkte auf Erdölbasis, Rostlöser usw. mit den Plastikeilen in Kontakt geraten. Chemikalien können Plastik beschädigen, aufweichen oder zerstören, was zu schweren Verletzungen führen kann.

- Lassen Sie immer den gesamten Druck ab, entfernen Sie den Akku und lassen Sie das Gerät abkühlen, bevor Sie es reinigen oder reparieren.
- Verändern Sie das Produkt nicht auf irgendeine Weise oder verwenden Zubehör, das nicht vom Hersteller empfohlen ist. Ihre Sicherheit und die anderer könnte beeinträchtigt sein.
- Benutzen Sie das Produkt nicht, wenn Schalter oder andere Funktionen nicht wie vorgesehen funktionieren. Bringen Sie das Werkzeug zu einem autorisierten Kundendienst, um Einstellungen oder Reparaturen vorzunehmen.
- Stellen Sie sicher, dass der Akku aus dem Produkt entfernt wurde, bevor Sie Einstellungen vornehmen, das Produkt schmieren oder Wartungsarbeiten am Produkt durchführen.
- Überprüfen Sie das Produkt vor und nach jeder Benutzung auf Schäden und beschädigte Teile. Halten Sie das Produkt in optimalem Betriebszustand, indem sie Teile sofort mit vom Hersteller empfohlenen Ersatzteilen ersetzen.

⚠️ WARNUNG

Alle Reparaturen sollten zur besseren Sicherheit und Zuverlässigkeit von einem autorisierten Kundendienst durchgeführt werden.

UMWELTSCHUTZ



Recyceln Sie die Rohstoffe, anstatt sie im Haushaltsabfall zu entsorgen. Zum Schutz der Umwelt müssen das Gerät, die Zubehörteile und die Verpackungen getrennt entsorgt werden.

SYMBOLS AUF DEM PRODUKT



Sicherheitswarnung



Bitte lesen Sie die Anweisungen sorgfältig, bevor Sie das Gerät einschalten.



CE Konformität



EurAsian Konformitätszeichen



Ukrainisches Prüfzeichen



Beim Arbeiten mit der Maschine stets Schutzbrille tragen.



Gehörschutz tragen.



Benutzung im Innenbereich



Feuchtigkeitsalarm. Nicht dem Regen aussetzen Innen lagern.



Gefahr für die Atmung. Die Luft aus dem Kompressor sollte niemals eingeatmet bzw für menschlichen Konsum verwendet werden



Explosionsgefahr. Stellen Sie keinen Ausgangsdruck ein, der den maximalen Ausgangsdruck des Zubehörs überschreitet. Nutzen Sie es nicht mit einem Druck von mehr als 10 Bar.



Dieser Kompressor könnte sich ohne Warnung aktivieren.

Brand- und Explosionsrisiko Der Sprühbereich muss gut belüftet sein. Rauchen Sie nicht während Sie sprühen oder sprühen Sie nicht, wenn Funken oder Flammen in der Umgebung sind. Halten Sie den Kompressor so fern wie möglich von dem Sprühbereich. Halten Sie den Kompressor mindestens 10 m von einem potentiellen Sprühbereich und allen explosiven Dämpfen fern.



Regulierter Druck



Tankdruck



Elektrische Geräte sollten nicht mit dem übrigen Müll entsorgt werden. Bitte entsorgen Sie diese an den entsprechenden Entsorgungsstellen. Wenden Sie sich an die örtliche Behörde oder Ihren Händler, um Auskunft über die Entsorgung zu erhalten.

SYMBOLE IN DER BEDIENUNGSANLEITUNG



Teile oder Zubehör getrennt erhältlich



Hinweis



Warnung

Mit den folgenden Symbolen wird die Bedeutung der verschiedenen Risikostufen, die mit dem Produkt einhergehen, dargestellt.

GEFAHR

Bezeichnet eine unmittelbare Gefahrensituation, die, falls nicht vermieden, zum Tod oder schweren Verletzungen

führen kann.

WARNUNG

Bezeichnet eine mögliche Gefahrensituation, die, falls nicht vermieden, zum Tod oder schweren Verletzungen führen kann.

ACHTUNG

Bezeichnet eine mögliche Gefahrensituation, die, falls nicht vermieden, zu kleineren und mittleren Verletzungen führen kann.

ACHTUNG

(Ohne Warnsymbol) Weist auf eine Situation hin, die zu Sachschaden führen kann.



La seguridad, el rendimiento y la fiabilidad han sido las máximas prioridades a la hora de diseñar este compresor de aire.

USO PREVISTO

El compresor de aire está diseñado únicamente para el suministro de aire presurizado. No se debe utilizar para comprimir ningún otro gas.

El producto está diseñado para permitir el funcionamiento de herramientas alimentadas por aire y para inflar elementos a alta presión, como los neumáticos de un coche o las ruedas de una bicicleta.

El producto está destinado a su uso exclusivo por parte de personas adultas que hayan leído y comprendido las instrucciones y las advertencias de este manual, y las cuales se pueden considerar responsables de sus acciones.

Este producto solo se debería utilizar en espacios interiores.

Utilice el producto exclusivamente para el uso para el que fue diseñado. Utilizar la herramienta eléctrica para realizar trabajos diferentes a los que esta herramienta está destinada podría dar como resultado una situación peligrosa.

ALERTA DE SEGURIDAD GENERAL

⚠ ADVERTENCIA

Lea todas las instrucciones y advertencias de seguridad. No seguir las advertencias e instrucciones correctamente puede provocar descargas eléctricas, incendios y/o daños graves.

Guarde todas estas advertencias e instrucciones para futuras referencias.

⚠ ADVERTENCIA

Cuando use herramientas eléctricas, siempre deben seguirse las precauciones básicas de seguridad para reducir el riesgo de incendio, descarga eléctrica y lesiones personales. Lea todas las instrucciones antes de utilizar el producto y guarde estas instrucciones.

SEGURIDAD EN EL ÁREA DE TRABAJO

- Mantenga el área de trabajo limpia. Las áreas y los bancos de trabajo desordenados propician los accidentes. No deje herramientas o piezas de madera en la herramienta mientras está en funcionamiento.
- No utilice el producto en entornos peligrosos. No utilice herramientas eléctricas en lugares húmedos o mojados ni las exponga a la lluvia. Mantenga limpia el área de trabajo.
- Mantenga el aparato lejos de los niños o visitantes. Cualquier persona que se encuentre en la zona de trabajo deberían utilizar gafas de seguridad y mantener una distancia de seguridad. No deje que otras personas toquen el producto mientras esté funcionando.

- Nunca utilice esta herramienta en una atmósfera explosiva. La chispa normal del motor podría prender fuego.

SEGURIDAD ELÉCTRICA

- Si algún componente eléctrico del producto deja de funcionar correctamente, apague el producto con el interruptor de encendido y apagado, retire la batería del producto y vuelva a colocarla antes de reanudar su funcionamiento.
- No exponga las herramientas eléctricas a la lluvia o a la humedad. Si entra agua en una herramienta eléctrica aumentará el riesgo de descargas eléctricas.

SEGURIDAD PERSONAL

- Manténgase alerta y siempre controlando lo que está haciendo. Fíjese siempre en lo que está haciendo y utilice el sentido común. No utilice la herramienta cuando esté cansado. No se apresure.
- Vístase adecuadamente. No use ropa suelta, corbatas o joyas que puedan engancharse y tirar de usted hacia las partes móviles. Se recomienda utilizar guantes de goma y calzado antideslizante cuando trabaje a la intemperie. Use cobertura de protección para el cabello para amarrar el cabello largo.
- Utilice siempre gafas de seguridad con protección lateral. Las gafas habituales solamente tienen cristales resistentes contra impactos; NO son gafas de seguridad.
- Proteja sus pulmones. Póngase una pantalla facial o una mascarilla antipolvo si la operación que está realizando lo requiere.
- Proteja su audición. Use protectores auditivos durante largos periodos de operación.
- No realice sobreesfuerzos. Mantenga un equilibrio adecuado en todo momento.
- Retire las llaves de ajuste. Compruebe siempre que las llaves de ajuste no se encuentran en la herramienta antes de encenderla.

USO Y CUIDADOS DEL COMPRESOR DE AIRE

- No exceda la presión nominal de ningún componente del sistema.
- Proteja las tuberías de material y las de aire de daños o perforaciones. Mantenga la manguera alejada de objetos afilados, vertidos de sustancias químicas, aceite, disolventes y suelos húmedos.
- Verifique que las mangueras no estén débiles o gastadas antes de cada uso, y de que todas las conexiones sean seguras. No lo use si presenta defectos. Compre una nueva manguera o notifique a un centro de servicio autorizado para que proceda a su revisión o reparación.
- Libere toda la presión del sistema lentamente. El polvo y los desechos pueden ser perjudiciales.
- Guarde el compresor de aire inactivo fuera del alcance de los niños y otras personas sin la formación adecuada. Los compresores de aire son peligrosos en manos de usuarios sin la formación adecuada.





EN
FR
DE
ES
IT
NL
PT
DA
SV
FI
NO
RU
PL
CS
HU
RO
LV
LT
ET
HR
SL
SK
BG
UK
TR
EL

- El mantenimiento de los compresores de aire se debe realizar con cuidado. Siga las instrucciones de mantenimiento. Las herramientas que han recibido un mantenimiento adecuado son más fáciles de controlar.
- Verifique que las piezas móviles estén alineadas y bien sujetas, que no haya piezas rotas y que no haya cualquier otro problema que pueda afectar el funcionamiento de la herramienta. Si está dañada, lleve la herramienta al servicio técnico autorizado antes de usarla. Muchos accidentes son causados por herramientas que no han recibido un mantenimiento adecuado.
- Mantenga el exterior del producto seco, limpio y libre de aceite y grasa. Utilice siempre un paño limpio para limpiarlo. No utilice líquido de frenos, gasolina, productos derivados del petróleo ni disolventes fuertes para limpiar la unidad. Si sigue esta norma reducirá el riesgo de deterioro de la carcasa de plástico.

MANTENIMIENTO

- Utilice solo piezas de recambio idénticas cuando esté realizando labores de mantenimiento de la máquina. El uso de otras piezas puede ocasionar riesgos o daños en el producto.

Guarde estas instrucciones. Consúltelas con frecuencia y utilícelas para instruir a otros usuarios. Si presta esta herramienta, facilite también estas instrucciones.

ADVERTENCIAS DE SEGURIDAD PARA EL COMPRESOR DE AIRE

- Conozca el producto. Lea detenidamente el manual de utilización. Aprenda las aplicaciones y limitaciones de la máquina, así como los posibles riesgos específicos relacionados con esta herramienta. Si cumple estrictamente estas consignas reducirá la posibilidad de recibir una descarga eléctrica, de incendio o de heridas graves.
- Drene la humedad del depósito de aire después de cada día de uso. Si no va a utilizar el producto durante un rato, lo mejor es dejar la válvula de drenaje abierta hasta el siguiente uso. Esto permitirá el drenaje completo de la humedad y ayudará a evitar la formación de corrosión en el interior del depósito de aire.
- Riesgo de incendio o explosión. No rocíe líquidos inflamables en un área confinada. El área en la que se va a pulverizar debe estar bien ventilada. No fume durante el rociado o pulverización cuando haya chispas o llamas. Mantenga el producto a una distancia mínima de 10 m (33 pies) de la zona de pulverización y de cualquier vapor explosivo.
- Riesgo de explosión. No ajuste el regulador a una presión de salida superior a la presión máxima de acoplamiento indicada. Este producto no se debe utilizar a una presión superior a 8,3 bar.
- Para reducir el riesgo de descarga eléctrica, no exponga el producto a la lluvia. Guarde el producto en un espacio cerrado.
- Inspeccione el depósito de aire anualmente en busca de óxido, perforaciones u otras imperfecciones que puedan provocar un uso inseguro del producto.

- Nunca suelde o perforo el depósito de aire.
- Asegúrese de que la manguera esté libre de obstrucciones. Las mangueras enredadas o enmarañadas pueden provocar la pérdida del equilibrio o la estabilidad del producto, por lo que podría dañarse.
- Utilice este producto únicamente para su uso previsto. No altere ni modifique la unidad con respecto a su diseño o función original.
- Tenga siempre presente que el mal uso y el manejo inadecuado de esta herramienta puede ocasionar daños a sí mismo y a otros.
- Nunca deje el producto sin vigilancia con la manguera de aire acoplada a una herramienta.
- Nunca apunte ninguna herramienta de aire hacia usted mismo/a ni hacia otros.
- No utilice esta herramienta si no contiene una etiqueta de advertencia legible.
- Deje de utilizar el producto o la manguera si hay una fuga de aire o si no funcionan correctamente.
- Desconecte siempre el suministro de aire y retire la batería antes de realizar ajustes, el mantenimiento del producto, o cuando el producto no se esté utilizando.
- No intente transportar el producto ni tirar de él mediante la manguera.
- Puede que su herramienta requiera un consumo de aire superior al que el producto es capaz de proporcionar.
- Siga siempre las normas de seguridad recomendadas por el fabricante de la herramienta de aire, además de todas las normas de seguridad establecidas para el compresor de aire. Si sigue esta norma reducirá el riesgo de lesiones graves.
- Nunca dirija un chorro de aire comprimido hacia personas o animales. Tenga cuidado de no dirigir el flujo de aire con polvo y suciedad hacia sí mismo o hacia otros. Si sigue esta norma reducirá el riesgo de lesiones graves.
- No utilice el producto para pulverizar productos químicos. Los pulmones pueden dañarse por la inhalación de humos tóxicos. Puede ser necesario utilizar una mascarilla en ambientes con mucho polvo o cuando se rocía pintura. No transporte la unidad mientras esté pintando.
- Inspeccione los cables y las mangueras de la herramienta periódicamente y, si están dañados, lívelos a reparar en el centro de servicio autorizado de su localidad. Tenga siempre presente dónde se encuentra el cable de alimentación. De este modo, reducirá el riesgo de recibir una descarga eléctrica.
- Verifique que las piezas móviles estén alineadas y bien sujetas, que no haya piezas rotas y que no haya cualquier otro problema que pueda afectar el funcionamiento de la herramienta. Si está dañada, lleve la herramienta al servicio técnico autorizado antes de usarla. Muchos accidentes son causados por herramientas que no han recibido un mantenimiento adecuado.
- Cuando sea necesario retirar las protecciones fijas para realizar el mantenimiento periódico o para una reparación, los sistemas fijos permanecerán fijados a la protección o a la maquinaria tras retirar las



protecciones.

- No almacene nunca una herramienta con una manguera de aire conectada. El almacenamiento de la herramienta con un suministro de aire conectado puede provocar un funcionamiento inesperado, un disparo o un movimiento, lo que podría causar lesiones personales graves.
- Proteja sus pulmones. Póngase una pantalla facial o una mascarilla antipolvo si la operación que está realizando lo requiere. Si sigue esta norma reducirá el riesgo de lesiones graves.
- Guarde estas instrucciones. Consúltelas con frecuencia y utilícelas para instruir a otras personas que puedan utilizar este producto. Si presta esta herramienta, facilite también estas instrucciones.
- Utilice la herramienta de frente al panel de control.
- Cuando la máquina está en funcionamiento, muchas piezas pueden hacer que ésta adquiera una temperatura alta. Use el equipo necesario de protección personal, como guantes, para evitar lesiones derivadas de una temperatura alta.
- El producto no está diseñado para que lo usen personas (niños incluidos) con capacidades físicas, sensoriales o mentales reducidas o con falta de experiencia y conocimientos. Se debe mantener la vigilancia sobre los niños para asegurarse de que no juegan con el producto.

ADVERTENCIAS DE SEGURIDAD DE LA BATERÍA Y DEL CARGADOR

▲ ADVERTENCIA

Para reducir el riesgo de incendio, lesión personales y daños al producto debido a un cortocircuito, no sumerja nunca la herramienta, el paquete de baterías o el cargador en líquido ni permita que fluya un fluido dentro de ellos. Los fluidos corrosivos o conductivos, como el agua de mar, ciertos productos quimi-cos industriales y blanqueadores o lejías que contienen, etc., Pueden causar un cortocircuito.

- **Recárguela únicamente con el cargador especificado por el fabricante.** Podría provocar un riesgo de incendio si utiliza un cargador con una batería para la que no está diseñado.
- **Utilice herramientas eléctricas con baterías especialmente diseñadas.** El uso de cualquier otra batería puede generar un riesgo de lesiones y fuego.
- **Cuando la batería no está en uso, manténgala alejada de otros objetos metálicos como clips, monedas, llaves, clavos, tornillos u otros objetos metálicos pequeños que puedan crear una conexión desde una terminal a otra.** Un cortocircuito de las terminales de la batería puede provocar quemaduras o fuego.
- **En condiciones indebidas, puede salir líquido de la batería. Evite su contacto. Si se produce un contacto accidental, enjuáguese con agua. Si el líquido entra en contacto con los ojos, busque ayuda médica adicional.** El líquido expulsado de la batería puede provocar irritaciones o quemaduras.
- **Los productos de batería no necesitan estar enchufados a una toma de corriente; por lo tanto, están siempre en condiciones de funcionamiento. Sea consciente de los posibles riesgos cuando no utilice el producto a batería o al cambiar accesorios.** Si cumple estrictamente estas consignas reducirá la posibilidad de recibir una descarga eléctrica, de incendio o de heridas graves.
- **No coloque los productos de batería o las pilas cerca del fuego o fuentes de calor.** Esto reducirá el riesgo de explosiones y posiblemente lesiones.
- **No aplaste, golpee o dañe la batería. No utilice una batería o un cargador que se haya caído o haya recibido un golpe fuerte.** Una batería dañada podría explotar. Deseche correctamente y de forma inmediata una batería que haya caído o que esté dañada.
- **Las baterías pueden explotar en presencia de una fuente de ignición, como un piloto.** Para reducir el riesgo de lesiones personales graves, nunca use un producto inalámbrico en presencia de una llama expuesta. Si una batería explotase podría despedir desechos y productos químicos. Si se expusiera a estos, debería enjuagar las zonas expuestas con agua inmediatamente.
- **No cargue el producto de batería en un lugar húmedo o mojado.** Cumple estrictamente estas consignas reducirá la posibilidad de recibir una descarga eléctrica.
- **Para obtener los mejores resultados, la batería debe cargarse en un lugar cuya temperatura sea superior a 10 °C e inferior a 38 °C. Con el fin de reducir el riesgo de lesiones personales graves, no la guarde en el exterior ni en vehículos.**
- **Bajo condiciones extremas de funcionamiento y temperatura, podrían ocurrir fugas en la batería. Si el líquido entra en contacto con la piel, enjuáguela inmediatamente con agua y jabón. Si el líquido entra en sus ojos, lávelos con agua limpia durante al menos 10 minutos, y luego acuda a su médico.** Si sigue esta norma reducirá el riesgo de lesiones graves.
- **No utilice una batería que haya sufrido daños o modificaciones.** Las baterías dañadas o modificadas pueden presentar un comportamiento impredecible y provocar fuego, explosión o riesgo de lesión.
- **No modifique ni intente reparar una batería que haya sufrido daños.**
- **No exponga la batería o la herramienta al fuego o a temperaturas excesivas.** La exposición al fuego o a una temperatura superior a 130°C puede provocar una explosión.
- **Siga todas las instrucciones de carga y no cargue la batería o la herramienta fuera del rango de temperatura especificado en las instrucciones.** La carga inadecuada o a temperaturas fuera del rango especificado puede dañar la batería e incrementar el riesgo de fuego.

TRANSPORTE DE BATERÍAS DE LITIO

Transporte la batería de conformidad con las disposiciones y las normativas locales y nacionales.



EN
FR
DE
ES
IT
NL
PT
DA
SV
FI
NO
RU
PL
CS
HU
RO
LV
LT
ET
HR
SL
SK
BG
UK
TR
EL

Cuando las baterías sean transportadas por un tercero, cumpla los requisitos especiales relativos al embalaje y etiquetado. Asegúrese de que ninguna batería entra en contacto con otra batería o con materiales conductores durante el transporte, proteja los conectores expuestos con tapones o tapas aislantes no conductoras. No transporte baterías con fisuras o fugas. Para más asesoramiento, póngase en contacto con la empresa de distribución.

BATERÍAS

Las baterías que no se han utilizado durante un tiempo deberían recargarse antes de su uso.

Las temperaturas superiores a los 50 °C (122 °F) reducen el rendimiento de la batería. Evite la exposición continuada al calor o a la luz solar (riesgo de sobrecalentamiento).

Los contactos de los cargadores y de la batería se deben mantener limpios.

Para una duración óptima, la batería se tiene que cargar completamente después de usar.

Para aprovechar al máximo la duración de la batería, desenchúfela del cargador cuando esté cargada del todo.

Para un almacenamiento de la batería superior a 30 días:

- Almacene la batería en lugar con una temperatura inferior a 27 °C y alejado de la humedad.
- Almacene la batería con un estado de carga del 30 %-50 %.
- Cada seis meses de almacenamiento, cargue la batería de forma normal.

PROTECCIÓN DE LA BATERÍA

La batería cuenta con una protección contra sobrecargas que la protege en caso de sobrecarga y ayuda a garantizar una larga vida útil. En situaciones de estrés extremo, los componentes electrónicos de la batería desactivan el producto de forma automática. Para volver a poner en marcha el producto, apáguelo y vuelva a encenderlo. Si el producto no se vuelve a encender, puede que la batería se haya descargado por completo. En este caso, se debe recargar con el cargador de la batería.

RIESGOS RESIDUALES

Incluso cuando se utiliza el producto según las instrucciones, sigue siendo imposible eliminar por completo ciertos factores de riesgo residuales. Pueden surgir los siguientes riesgos durante el uso y el operador debe prestar especial atención para evitar lo siguiente:

- Utilice este producto únicamente para su uso previsto. No altere ni modifique la unidad con respecto a su diseño o función original.
- Tenga siempre presente que el mal uso y el manejo inadecuado de esta herramienta puede ocasionar daños a sí mismo y a otros.
- Nunca deje el producto sin vigilancia con la manguera acoplada a una herramienta.
- Deje de utilizar el producto o la manguera si hay una fuga de aire o si no funcionan correctamente.

- Riesgo de explosión
 - No ajuste el regulador a una presión de salida superior a la presión máxima de acoplamiento indicada.
- Se generan temperaturas elevadas y calor cuando el motor y el cilindro están en movimiento. El contacto con el metal expuesto puede provocar quemaduras graves.
 - Mantenga siempre el compresor de aire alejado de las zonas de trabajo.
- Lesiones causadas por el ruido
 - Utilice dispositivos de protección para los oídos.
- El gas procedente del compresor de aire puede expulsar suciedad, virutas, partículas sueltas y objetos pequeños a alta velocidad. Esto puede provocar el lanzamiento de objetos a los ojos u otras posibles lesiones graves.
 - Utilice siempre los equipos de protección personal adecuados cuando trabaje con las diferentes herramientas.

CONOZCA EL PRODUCTO

Consulte la página 195.

1. Soportes envolventes para mangueras
2. Acoplamiento de conexión rápida
3. Acoplamiento mecho de flujo alto y PCL, 1/4" BSP
4. Manómetro del depósito
5. Perilla del regulador de presión
6. Manómetro regulador
7. Asa de transporte
8. Válvula de seguridad
9. Interruptor de encendido/apagado
10. Batería
11. Válvula de drenaje
12. Botón de reinicio

DESEMBALAJE

Compruebe la herramienta cuidadosamente para asegurarse de que no se ha producido ninguna rotura o daño durante el transporte.

No deseche el material de embalaje hasta que haya comprobado y utilizado satisfactoriamente la herramienta.

⚠ ADVERTENCIA

Si falta alguna pieza o se observa algún daño en algún componente, o utilice este producto hasta que se hayan sustituido dichas piezas. El uso de este producto con piezas dañadas o ausentes puede provocar un accidente personal grave.

⚠ ADVERTENCIA

No intente modificar esta herramienta o crear accesorios no recomendados para utilizar con esta herramienta. Cualquier alteración o modificación supone un uso indebido y podría provocar condiciones peligrosas que conduzcan a posibles lesiones personales graves.



⚠ ADVERTENCIA

Para evitar una puesta en marcha accidental que pueda provocar lesiones personales graves, retire siempre la batería del producto cuando vaya a montar las piezas.

FUNCIONAMIENTO

PREPARACIÓN

Conexión/desconexión de una manguera de aire

Consulte la página 196.

NOTA: Para un funcionamiento con presiones superiores a 7 bar (102 psi), las mangueras de suministro se deben fijar con un cordón de seguridad, por ejemplo, un cable metálico.

1. Asegúrese de que el interruptor de encendido/apagado se encuentre en la posición de apagado (O) y de que la batería esté desconectada.
2. Tire del mando del regulador de presión hacia fuera para habilitar el ajuste. Gire el mando del regulador de presión al máximo en el sentido contrario al de las agujas del reloj.
3. Confirme que la presión de salida está en cero bar.
4. Acople una manguera de aire con un conector al acoplamiento de conexión rápida de 6,35 mm (1/4 de pulgada) del compresor de aire. Asegúrese de que presiona al máximo el conector en el acoplamiento hasta que el manguito del acoplamiento ejerza presión y bloquee el conector en su posición.

Para desconectar una manguera de aire o una herramienta de aire:

1. Tire del mando del regulador de presión hacia fuera para habilitar el ajuste. Gire el mando del regulador de presión al máximo en el sentido contrario al de las agujas del reloj.
2. Confirme que la presión de salida está en cero bar.
3. Tire hacia atrás del manguito del acoplador rápido de 6.35 mm. Agarrándolo firmemente, extraiga el conector de la manguera acoplado al acoplamiento rápido.

Conexión/extracción de una batería

1. Asegúrese de que el interruptor de encendido/apagado se encuentre en la posición de apagado (O).
2. Inserte una batería en el puerto de la batería.
3. Asegúrese de que los cierres a cada lado de la batería encajen en su lugar y que la batería está correctamente instalada antes de comenzar la operación.
4. Suelte las lengüetas para eliminar la batería.
5. Para obtener las instrucciones completas de carga, consulte los manuales del operador de la batería y el cargador.

USO DEL COMPRESOR DE AIRE

⚠ PELIGRO

No desmonte las válvulas de drenaje del depósito ni la válvula de seguridad con aire en el depósito de aire. Libere el aire del depósito de aire. No despresurizar el depósito de aire podría provocar una explosión y/o lesiones personales graves.

⚠ ADVERTENCIA

Utilice siempre gafas de protección con protección lateral. Si incumple esta instrucción, pueden proyectarse cuerpos extraños a sus ojos y provocarle graves lesiones oculares.

⚠ ADVERTENCIA

Utilice exclusivamente las piezas y accesorios recomendados por el fabricante. El uso de cualquier pieza o accesorio no recomendado puede ocasionar lesiones personales graves.

⚠ ADVERTENCIA

No conecte ninguna herramienta al extremo abierto de la manguera hasta que se haya completado la puesta en marcha.

⚠ ADVERTENCIA

Retire siempre la batería de la herramienta cuanto esté instalando piezas, haciendo ajustes, limpiando o cuando no esté en uso. La extracción de la batería evitará un arranque accidental que podría provocar daños personales graves.

⚠ ADVERTENCIA

No debe usarse en un ambiente lleno de polvo o contaminado de alguna manera. El uso del compresor de aire en este tipo de entorno puede provocar daños en el producto.

Ajuste de la presión de aire

Consulte la página 197.

1. Asegúrese de que el interruptor de encendido/apagado se encuentre en la posición de apagado (O) y de que se haya retirado la batería.
2. Conecte la batería al producto.
3. Coloque el interruptor de encendido/apagado en la posición de encendido (I).
4. Tire del mando del regulador de presión hacia fuera para habilitar el ajuste.
5. Gire el mando del regulador de presión hasta alcanzar la presión deseada. Al girar la perilla en sentido horario se aumenta la presión del aire a la salida. Girando hacia la izquierda se reduce la presión de aire a la salida. Presione el mando del regulador de presión para deshabilitar el ajuste.
6. Siguiendo todas las precauciones de seguridad de este manual y las instrucciones del fabricante incluidas en el manual de la herramienta de aire, puede proceder al uso de su herramienta alimentada por aire.

⚠ ADVERTENCIA

Las herramientas alimentadas por aire pueden requerir un mayor consumo de aire que el que es capaz de proporcionar este compresor de aire. Consulte el manual de la herramienta para evitar que se produzcan daños en la herramienta o un riesgo de lesiones personales.



7. Controle la cantidad de flujo de aire con la perilla del regulador de presión. Si se gira el mando totalmente en el sentido contrario al de las agujas del reloj, se detendrá el flujo de aire.

NOTA: Utilice siempre la cantidad mínima de presión necesaria para su aplicación. Si utiliza una presión mayor de la necesaria drenará el aire del depósito con mayor rapidez y hará que la unidad se cicle con mayor frecuencia.

8. Para apagar el compresor de aire, coloque el interruptor de encendido/apagado en la posición de apagado (O).
NOTA: Cuando el compresor se encuentre en la posición de encendido (I), la presurización se iniciará cuando la presión del depósito de aire descienda por debajo del límite de presión preestablecido. También se apagará cuando se alcance la presión deseada.

⚠ ADVERTENCIA

No supere nunca el valor nominal de presión de la herramienta de aire recomendado por el fabricante. Cuando se utilice este compresor de aire como un dispositivo de inflado, siga las directrices de inflado máximo establecidas por el fabricante del producto que se vaya a inflar.

⚠ ADVERTENCIA

Asegúrese siempre de que el interruptor de encendido/apagado se encuentre en la posición de apagado (O) y que el indicador de presión del regulador ofrezca una lectura de cero antes de cambiar las herramientas de aire o de desconectar la manguera de la salida de aire. El incumplimiento de estas recomendaciones podría causar lesiones personales graves.

9. Tras finalizar, drene siempre el depósito y retire la batería. No deje nunca el producto en funcionamiento o conectado a la batería.

DRENAJE DEL DEPÓSITO DE AIRE

Consulte la página 198.

Para evitar la corrosión del depósito y mantener la humedad fuera del depósito de aire, el depósito de aire del compresor se debe drenar a diario.

Para drenar el depósito de aire:

1. Asegúrese de que el interruptor de encendido/apagado se encuentre en la posición de apagado (O).
2. Quite la batería.
3. Tire de la válvula de liberación de presión hasta que el indicador de presión del depósito ofrezca una lectura inferior a 1,4 bar (20 PSI).
4. Suelte el anillo.
5. Gire la palanca de la válvula de drenaje en el sentido contrario al de las agujas del reloj para drenar la humedad.
NOTA: El líquido condensado es un material contaminante y debería desecharse de acuerdo con las regulaciones locales.
6. Gire la palanca de la válvula de drenaje en el sentido de las agujas del reloj para cerrar la válvula de drenaje.

BOTÓN DE REINICIO

Cuando la corriente que llega al motor del compresor de aire supere el valor especificado, el compresor de aire se apagará automáticamente.

Para reiniciar el compresor de aire:

1. Quite la batería.
2. Apague la herramienta.
3. Espere tres minutos para que se enfríe el motor.
4. Pulse el botón de reinicio.
5. Conecte la batería al producto.
6. Encienda el aparato.

SUSTITUCIÓN DE UN ACOPLAMIENTO

Consulte la página 199.

1. Asegúrese de que el interruptor de encendido/apagado se encuentre en la posición de apagado (O).
2. Quite la batería.
3. Tire de la válvula de liberación de presión hasta que el indicador de presión del depósito ofrezca una lectura inferior a 1,4 bar (20 PSI).
4. Suelte el anillo.
5. Utilizando una llave, afloje y retire el acoplamiento girándolo en el sentido contrario al de las agujas del reloj.
6. Utilizando una llave, instale un nuevo acoplamiento y apriételo en el sentido de las agujas del reloj. Using a wrench, install a new coupler and tighten in a clockwise direction.

TRANSPORTE Y ALMACENAMIENTO

Consulte la página 200 - 201

1. Asegúrese de que el interruptor de encendido/apagado se encuentre en la posición de apagado (O).
2. Quite la batería.
3. Ponga en marcha la herramienta de aire para liberar la presión de aire presente en la manguera y, a continuación, retire la manguera y la herramienta de aire. Libere el aire accionando la válvula de liberación de presión.
4. Drene el agua del depósito tal como se indica en el apartado «Drenaje del depósito de aire».
5. Limpie el producto con un paño seco.
6. Enrolle la manguera de aire alrededor de los soportes envolventes para mangueras.
7. Desplace el producto sujetándolo por el asa de transporte.
8. Almacene el compresor de aire en su posición de funcionamiento normal en un área protegida y seca.

⚠ ADVERTENCIA

El agua se condensará en el depósito del compresor de aire cuando el compresor esté en funcionamiento. Si se queda agua dentro del depósito, esto puede hacer que el depósito de debilite y se corra, aumentando el riesgo de una rotura del depósito.

⚠ ADVERTENCIA

Desconecte siempre la manguera de aire de las herramientas siempre que no las utilice o cuando vaya a realizar tareas de mantenimiento. Durante el mantenimiento, una herramienta conectada a la manguera de aire puede ponerse en marcha accidentalmente, provocando una lesión personal grave.



⚠ ADVERTENCIA

No retirar la batería del compresor de aire antes de su almacenaje puede hacer que el compresor se mantenga en funcionamiento de forma continua, provocando un sobrecalentamiento, daños en el compresor y, posiblemente, un incendio.

MANTENIMIENTO

MANTENIMIENTO GENERAL

- Evite el uso de disolventes para limpiar las piezas de plástico. La mayoría de los plásticos se dañan con diferentes tipos de disolventes comerciales y se pueden dañar con su uso. Utilice un paño limpio para retirar las impurezas, el polvo, el aceite, la grasa, etc.
- No permita en ningún momento que las piezas de plástico entren en contacto con líquido de frenos, gasolina, productos derivados del petróleo, aceites penetrantes, etc. Los productos químicos pueden dañar, destruir o debilitar el plástico, lo que puede ocasionar graves daños personales.
- Libere siempre toda la presión, retire la batería y deje que el producto se enfríe al tacto antes de limpiar o realizar reparaciones en el producto.
- No modifique el producto de ningún modo ni utilice accesorios no aprobados por el fabricante. Su seguridad y la de los demás pueden verse amenazadas.
- No utilice el producto si alguno de los interruptores, protecciones u otras funciones no funcionan según lo previsto. Vaya a un centro de servicio autorizado para ajustes o reparaciones profesionales.
- Asegúrese siempre de que la batería se ha quitado del producto antes de realizar los ajustes, lubricar o cuando se realice algún tipo de mantenimiento en el producto.
- Antes y después de cada uso, compruebe que no hay daños ni piezas rotas en el producto. Mantenga el producto en las mejores condiciones de trabajo sustituyendo de inmediato las piezas por repuestos aprobados por el fabricante.

⚠ ADVERTENCIA

Para una mayor seguridad y fiabilidad, todas las reparaciones deben ser realizadas por un centro de servicio autorizado.

PROTECCIÓN DEL MEDIO AMBIENTE



Recicle las materias primas en lugar de tirarlas a la basura doméstica. Para proteger el medio ambiente, debe separar la herramienta, los accesorios y los embalajes.

SÍMBOLOS EN EL PRODUCTO



Alerta de seguridad



Por favor lea las instrucciones detenidamente antes de arrancar la máquina.



Conformidad CE

Certificado EAC de conformidad



Marca de conformidad ucraniana



Utilice siempre gafas de protección al usar la máquina.



Utilice protección auditiva!



Uso en el interior



Alerta de estado húmedo. No lo exponga a la lluvia. Guarde en espacios interiores.



Riesgo de inhalación. El aire obtenido directamente del compresor de aire nunca se debe utilizar para suministrar aire para el consumo humano.



Riesgo de explosión. No ajuste el regulador a una presión de salida superior a la presión máxima de acoplamiento indicada. Este producto no se debe utilizar a una presión superior a 10 bar.



Este compresor se puede poner en marcha sin aviso previo.

Riesgo de incendio o explosión. El área en la que se va a pulverizar debe estar bien ventilada. No fume durante el rociado o pulverización cuando haya chispas o llamas. Mantenga los compresores tan lejos de la zona de pulverización como sea posible. Mantenga el compresor al menos a 10 m de distancia del área de trabajo y todos los vapores explosivos.



Presión regulada



Presión del depósito



Los productos eléctricos de desperdicio no deben desecharse con desperdicios caseros. Por favor reciclelos donde existan dichas instalaciones. Compruebe con su autoridad local o minorista para reciclar.

SÍMBOLOS EN ESTE MANUAL



Las piezas o accesorios se venden por separado



Nota



Advertencia

Los siguientes símbolos y palabras detallan los niveles de cuidado necesarios para usar este producto.

PELIGRO

Indica una situación inminente de peligro que, si no se evita, provocará la muerte o lesiones graves.

ADVERTENCIA

Indica una situación potencialmente peligrosa que, si no se evita, podría causar la muerte o lesiones graves.

PRECAUCIÓN

Indica una situación potencialmente peligrosa que, si no se evita, puede provocar lesiones leves o moderadas.

PRECAUCIÓN

(Sin símbolo de seguridad) Indica una situación que podría ocasionar daños materiales.



Durante la progettazione di questo compressore ad aria è stata assegnata la massima priorità a sicurezza, prestazioni e affidabilità.

UTILIZZO

Il compressore ad aria è stato progettato per fornire solo aria pressurizzata. Non deve essere utilizzato per comprimere altri gas.

Il prodotto è progettato per azionare strumenti pneumatici e gonfiare oggetti ad alta pressione come pneumatici per auto e per bici.

Il prodotto è destinato a essere utilizzato solo da adulti che hanno letto e compreso le istruzioni e le avvertenze riportate in questo manuale e che possono essere considerati responsabili delle loro azioni.

Il prodotto deve essere azionato solo in luoghi interni.

Non utilizzare il prodotto in modi diversi da quelli indicati. Utilizzare l'elettrostrumento per operazioni diverse da quelle indicate potrà causare situazioni pericolose.

AVVERTENZE GENERALI DI SICUREZZA

⚠ AVVERTENZE

Leggere tutti gli avvertimenti e le istruzioni di sicurezza. La mancata osservanza delle avvertenze e delle istruzioni potrà causare scosse elettriche, incendi e/o gravi lesioni personali.

Conservare tutte le istruzioni e le avvertenze per eventuali riferimenti futuri.

⚠ AVVERTENZE

Quando si utilizzano elettrostrumenti, si dovranno sempre seguire precauzioni di base di sicurezza per ridurre il rischio di incendi, scosse elettriche e lesioni personali. Leggere tutte le istruzioni prima di tentare di mettere in funzione il prodotto e conservare queste istruzioni.

SICUREZZA AREA LAVORO

- Tenere pulita l'area di lavoro. Ambienti e banchi in disordine possono essere causa di incidenti. Non lasciare utensili o pezzi di legno sull'utensile mentre è in funzione.
- Non usare il prodotto in ambienti pericolosi. Non utilizzare elettrostrumenti in ambienti umidi o bagnati o esposti a pioggia. Mantenere sempre l'area di lavoro ben illuminata.
- Tenere bambini e visitatori lontani. Tutti gli osservatori devono indossare occhiali di sicurezza e tenersi a distanza di sicurezza dalla zona di lavoro. Non lasciare che i visitatori tocchino il prodotto durante il funzionamento.
- Non utilizzare in atmosfere esplosive. L'accensione normale del motore potrà causare incendi.

SICUREZZA ELETTRICA

- Nel caso in cui un componente elettrico del prodotto non funzioni correttamente, spegnere l'interruttore di

alimentazione, rimuovere il pacco batteria dal prodotto e sostituirlo prima che riprenda il funzionamento.

- Non esporre gli elettrostrumenti a pioggia o umidità. Nel caso in cui dell'acqua entrerà nell'elettrostrumento, si aumenterà il rischio di scosse elettriche.

SICUREZZA PERSONALE

- Rimanere attenti ed esercitare sempre il massimo controllo. Prestare la massima attenzione a quello che si sta facendo e utilizzare buon senso. Non mettere in funzione l'utensile se si è stanchi. Non correre durante le operazioni di lavoro.
- Vestirsi adeguatamente. Non indossare abiti con parti svolazzanti, cravatte o gioielli che potranno rimanere impigliati nelle parti in movimento della macchina. Si raccomanda di indossare guanti in gomma e calzature antiscivolo quando si svolgono operazioni di lavoro all'esterno. Indossare una rete di protezione per capelli per contenere eventuali capelli lunghi.
- Indossare sempre occhiali di sicurezza con schermi laterali. I normali occhiali sono dotati solo di lenti resistenti agli impatti, NON sono occhiali di sicurezza.
- Proteggere i polmoni. Se l'utilizzo dell'apparecchio produce polvere, indossare una maschera facciale o una maschera antipolvere.
- Proteggere l'udito. Indossare cuffie di protezione durante lunghi periodi di funzionamento.
- Non protendersi. Mantenere sempre l'equilibrio e un punto di appoggio sicuro.
- Rimuovere tutte le chiavi di regolazione. Controllare sempre che le chiavi e i dispositivi di regolazione siano stati rimossi dall'utensile prima di avviarlo.

USO E MANUTENZIONE DEL COMPRESSORE AD ARIA

- Non superare la potenza della pressione di qualsiasi componente nel sistema.
- Proteggere i cavi e i cavi dell'aria da eventuali danni o rotture. Tenere il tubo flessibile lontano da oggetti appuntiti, fuoriuscite di prodotti chimici, olio, solventi e pavimenti bagnati.
- Controllare che i tubi non siano usurati o consumati prima di ogni utilizzo, assicurandosi che le connessioni siano sicure. Non utilizzare se si individuano difetti. Acquistare un nuovo tubo o notificare un centro servizi autorizzato per controllare o riparare l'utensile.
- Rilasciare tutte le pressioni all'interno del sistema lentamente. La polvere e i detriti potranno essere pericolosi.
- Tenere i compressori ad aria fuori dalla portata dei bambini e di altre persone impreparate. I compressori ad aria sono pericolosi nelle mani di utenti impreparati.
- Effettuare la manutenzione dei compressori ad aria con attenzione. Seguire le istruzioni di manutenzione. Gli utensili sui quali viene svolta una corretta manutenzione sono più facili da controllare.
- Controllare il corretto allineamento o l'ingolfamento di parti in movimento, la rottura di parti e qualsiasi altra condizione che potrà influire sul funzionamento dell'utensile. Se danneggiato farlo riparare prima di utilizzarlo di nuovo. Utensili sui quali non viene svolta una corretta manutenzione potranno causare gravi incidenti.





EN
FR
DE
ES
IT
NL
PT
DA
SV
FI
NO
RU
PL
CS
HU
RO
LV
LT
ET
HR
SL
SK
BG
UK
TR
EL

- Tenere la parte esterna del prodotto asciutta, pulita e senza olio e grasso. Utilizzare sempre un panno pulito quando si pulisce la macchina. Non utilizzare liquidi per freni, prodotti a base di benzina o petrolio o solventi molto potenti per pulire l'utensile. Seguire questa norma ridurrà il rischio di deteriorazione della plastica di chiusura.

MANUTENZIONE

- Quando si svolgono operazioni di manutenzione, utilizzare solo ricambi identici. Utilizzare parti di ricambio diverse potrebbe causare rischi o danneggiare il prodotto.

Conservare queste istruzioni. Far spesso riferimento alle istruzioni e utilizzarle per istruire altri. Prestare l'utensile sempre assieme a queste istruzioni.

AVVISI DI SICUREZZA DEL COMPRESSORE AD ARIA

- Familiarizzare con il prodotto. Leggere attentamente il presente manuale d'uso. Imparare a conoscere le applicazioni e limitazioni dell'utensile come pure i potenziali rischi legati allo stesso. Il rispetto di tali norme limita il rischio di scosse elettriche, incendi o lesioni gravi.
- Svuotare il serbatoio dell'aria dall'umidità dopo ogni uso. Se il prodotto rimarrà inutilizzato per un poco, è opportuno lasciare la valvola di scarico aperta fino al prossimo utilizzo. Questo consentirà di scaricare completamente il serbatoio e di evitare la corrosione lateralmente al serbatoio dell'aria.
- Rischio di incendio o esplosione. Non spruzzare liquidi infiammabili in zone confinate. La zona delle operazioni di lavoro dovrà essere ben ventilata. Non fumare mentre si svolgono operazioni di verniciatura a spruzzo o quando sono presenti scintille o fiamme. Tenere il prodotto ad almeno 10 m (33 piedi) dall'area di spruzzo e da tutti i vapori esplosivi.
- Rischio di scoppio. Non impostare il regolatore in modo da ottenere una pressione di uscita superiore alla pressione massima contrassegnata dell'accessorio. Non usare a pressioni superiori a 8,3 bar.
- Per ridurre il rischio di scossa elettrica, non esporre il prodotto alla pioggia. Conservare il prodotto in un ambiente chiuso.
- Ispezionare il serbatoio dell'aria annualmente per eventuali presenze di ruggine, fori o altre imperfezioni che possano renderlo non sicuro.
- Non forare mai il serbatoio dell'aria.
- Assicurarsi che il tubo non presenti ostruzioni o blocchi. Tubi arrotolati o aggrovigliati potranno causare una perdita di equilibrio o stabilità e potranno riportare dei danni.
- Utilizzare il prodotto solo per lo scopo previsto. Non alterare o modificare l'unità il design o la funzione originale dell'utensile.
- Ricordare sempre che un utilizzo errato dell'utensile potrà causare lesioni a se stessi e agli altri.
- Non lasciare mai il prodotto incustodito con il tubo dell'aria collegato all'attrezzo.
- Non puntare lo strumento ad aria verso gli altri o verso se stessi.

- Non mettere in funzione questo utensile se non contiene etichette di avvertenze leggibili.
- Non continuare ad utilizzare un utensile o un tubo che perde aria o non funziona correttamente.
- Scollegare sempre la fornitura d'aria e rimuovere il pacco batteria prima di effettuare regolazioni, interventi di manutenzione o quando il prodotto non viene utilizzato.
- Non tentare di tirare o trasportare il prodotto dal tubo.
- L'attrezzo potrebbe richiedere più consumo d'aria rispetto a quanto il prodotto sia in grado di fornire.
- Seguire sempre le regole di sicurezza consigliate dal fabbricante dello strumento ad aria, oltre a tutte le regole di sicurezza per il compressore ad aria. Seguire questa norma ridurrà il rischio di gravi lesioni alla persona.
- Non dirigere mai un getto di aria compressa verso le persone o gli animali. Fare attenzione a non soffiare polvere e sporco verso se stessi e gli altri. Seguire questa norma ridurrà il rischio di gravi lesioni alla persona.
- Non usare il prodotto per spruzzare prodotti chimici. I polmoni dell'operatore potranno essere danneggiati dall'inalazione di vapori tossici. Potrà essere necessario un respiratore in ambienti polverosi o quando si svolgono operazioni di verniciatura a spruzzo. Non trasportare mentre si svolgono operazioni di verniciatura.
- Controllare i cavi dell'utensile e i tubi periodicamente e, se danneggiati, farli riparare presso il più vicino centro servizi autorizzato. Accertarsi sempre di sapere dove si trova il cavo d'alimentazione. In questo modo, è possibile ridurre i rischi di scosse elettriche.
- Controllare il corretto allineamento o l'ingolfamento di parti in movimento, la rottura di parti e qualsiasi altra condizione che potrà influire sul funzionamento dell'utensile. Se danneggiato farlo riparare prima di utilizzarlo di nuovo. Utensili sui quali non viene svolta una corretta manutenzione potranno causare gravi incidenti.
- Quando le protezioni fisse devono essere rimosse per la manutenzione o per riparazione periodiche, i sistemi di fissaggio dovranno rimanere collegati alla protezione o al macchinario quando vengono rimosse le protezioni.
- Non conservare mai lo strumento con il tubo dell'aria collegato. Conservare lo strumento quando è collegato a un'alimentazione ad aria può produrre un funzionamento imprevisto, accensione o spostamento e possibili lesioni personali.
- Proteggere i polmoni. Se l'utilizzo dell'apparecchio produce polvere, indossare una maschera facciale o una maschera antipolvere. Seguire questa norma ridurrà il rischio di gravi lesioni alla persona.
- Conservare queste istruzioni. Far spesso riferimento alle istruzioni e utilizzarle per istruire altri operatori che potranno utilizzare il prodotto. Prestare l'utensile sempre assieme a queste istruzioni.
- Mettere in funzione la macchina posizionandosi davanti al pannello di controllo.
- Quando la macchina è in funzione, molte parti della macchina potranno surriscaldarsi. Utilizzare attrezzatura di protezione personale come guanti per



evitare lesioni risultanti da alte temperature.

- Il prodotto non deve essere utilizzato da individui (inclusi bambini) con ridotte capacità fisiche, mentali o sensoriali, oppure da persone che non dispongono di esperienza e conoscenza. I bambini devono essere supervisionati per far sì che non giochino con il prodotto.

AVVERTENZE DI SICUREZZA BATTERIA E CARICATORE

⚠ AVVERTENZE

Per ridurre il rischio d'incendio, di lesioni o di danni al prodotto causati da corto circuito, non immergere mai l'utensile, la batteria ricaricabile o il carica batterie in un liquido e non lasciare mai penetrare alcun liquido all'interno dei dispositivi e delle batterie. I fluidi corrosivi o conduttori come acqua salata, alcuni agenti chimici, agenti candeggianti o prodotti contenenti agenti candeggianti potrebbero provocare un corto circuito.

- **Ricaricare le batterie solo con il caricabatterie specificato dal produttore.** Un caricatore che potrà essere adatto per un tipo di batteria potrà rappresentare un rischio di incendio quando viene utilizzato con un'altra batteria.
- **Utilizzare gli utensili elettrici solo con i gruppi batteria specificatamente indicati.** L'uso di qualsiasi altro tipo di pacco batterie può creare il rischio di lesioni o di incendio.
- Quando il gruppo batterie non viene utilizzato, tenerlo lontano da altri oggetti metallici come fermagli, monete, chiavi, chiodi, viti, o altri piccoli oggetti che potranno creare connessioni da un terminale all'altro. Cortocircuitare i terminali delle batterie può produrre ustioni e incendi.
- **In condizioni scorrette, la batteria può espellere liquidi; evitare il contatto. In caso di contatto accidentale, sciacquare con acqua. Se il liquido viene a contatto con gli occhi, rivolgersi a un medico.** Il liquido espulso dalla batteria può causare irritazione o ustioni.
- **I prodotti a batteria non devono essere collegati a una presa elettrica; perciò sono sempre in grado di funzionare. Fare attenzione agli eventuali rischi che si corrono quando non si utilizza il prodotto o quando si caricano gli accessori.** Il rispetto di tali norme limita il rischio di scosse elettriche, incendi o lesioni gravi.
- **Non posizionare i prodotti a batteria o le loro batterie vicino a fuoco o fonti di calore.** Ciò ridurrà il rischio di esplosione e lesioni alla persona.
- **Non schiacciare, far cadere o danneggiare il gruppo batterie. Non utilizzare un gruppo batterie o un caricatore se gli stessi sono caduti o sono danneggiati.** Una batteria danneggiata può esplodere. Smaltire correttamente una batteria caduta o danneggiata.
- **Le batterie possono esplodere in presenza di una fonte di accensione come una luce pilota.** Per ridurre il rischio di gravi lesioni personali, non utilizzare prodotti senza cavi in presenza di una fiamma viva. In caso di esplosione le batterie perderanno liquidi e

potranno scagliare in aria parti. Nel caso di contatto con il liquido delle batterie, lavarsi immediatamente.

- **Non ricaricare il prodotto a batteria in luoghi umidi o bagnati.** Il rispetto di tali norme limita il rischio di scosse elettriche.
- **Per risultati ottimali, la batteria deve essere collocata in un ambiente con una temperatura superiore a 10 °C e inferiore a 38 °C.** Per ridurre il rischio di gravi lesioni personali, non conservare al di fuori o all'interno di veicoli.
- **In condizioni di utilizzo o a temperature estreme, la batteria potrà perdere liquidi. Nel caso in cui il liquido entri in contatto con la pelle, lavarsi immediatamente con acqua e sapone. Nel caso in cui il liquido entri in contatto con gli occhi, lavarsi con acqua pulita per almeno 10 minuti, quindi rivolgersi immediatamente a un medico.** Seguire questa norma ridurrà il rischio di gravi lesioni alla persona.
- **Non utilizzare una batteria che sia danneggiata o modificata.** Le batterie danneggiate o alterate possono funzionare in modo imprevedibile e causare incendi, esplosioni o rischio di lesioni.
- **Non modificare né tentare la riparazione di una batteria che è stata danneggiata.**
- **Non esporre il gruppo batteria o l'utensile a fiamme libere o a temperature eccessive.** L'esposizione a fiamme libere o a temperature superiori a 130°C può causare esplosioni.
- **Attenersi alle istruzioni di ricarica e non ricaricare il gruppo batteria o l'utensile in condizioni di temperatura eccedenti l'intervallo di valori specificato nelle istruzioni.** Una ricarica condotta in modo improprio o in condizioni di temperatura eccedenti l'intervallo di valori specificato, può danneggiare la batteria e aumentare il rischio d'incendio.

TRASPORTARE BATTERIE AL LITIO

Trasportare la batteria secondo quanto indicato dalle norme e regolamentazioni locali e nazionali.

Seguire tutte le istruzioni speciali riportate sulla scatola e sull'etichetta quando si fanno trasportare batterie da eventuali terzi. Assicurarsi che le batterie non entrino in contatto con altre batterie o materiali conduttivi durante il trasporto proteggendo i connettori esposti con tappi isolanti, non conduttivi o nastro adesivo. Non trasportare batterie rotte o che perdono liquidi. Rivolgersi alla ditta distributrice per ulteriori consigli.

BATTERIE

Le batterie che non sono state usate per qualche tempo devono essere ricaricate prima dell'uso.

Temperature superiori a 50°C (122°F) riducono le prestazioni della batteria. Evitare la prolungata esposizione al calore o ai raggi solari (rischio di surriscaldamento).

I contatti dei caricatori e dei pacchi batteria devono essere tenuti puliti.

Per una durata ottimale le batterie devono essere caricate completamente dopo l'uso.

Per ottenere la massima durata possibile della batteria, rimuoverla dal caricatore una volta che sia totalmente carica.



EN
FR
DE
ES
IT
NL
PT
DA
SV
FI
NO
RU
PL
CS
HU
RO
LV
LT
ET
HR
SL
SK
BG
UK
TR
EL

Per una conservazione dei pacchi batteria superiore a 30 giorni:

- Conservare il pacco batteria dove la temperatura è inferiore a 27°C e lontano dall'umidità.
- Conservare i pacchi batteria in una condizione di carica al 30%-50%.
- Ogni sei mesi di conservazione, caricare il pacco come sempre.

PROTEZIONE PACCO BATTERIA

Il pacco batteria ha una protezione da sovraccarico e garantisce una lunga durata. In condizioni di stress estremo, i componenti elettronici della batteria spengono i prodotti automaticamente. Per riavviarlo, spegnere e riaccendere di nuovo il prodotto. Se il prodotto non si riavvia, il pacco batteria deve essere completamente scaricato. In questo caso, deve essere ricaricato nell'apposito caricatore.

RISCHI RESIDUI

Anche quando il prodotto viene utilizzato come indicato, sarà ancora impossibile eliminare completamente alcuni fattori di rischio residuo. Si potranno verificare i seguenti rischi e l'operatore dovrà prestare particolare attenzione per evitare quanto segue:

- Utilizzare il prodotto solo per lo scopo previsto. Non alterare o modificare l'unità il design o la funzione originale dell'utensile.
- Ricordare sempre che un utilizzo errato dell'utensile potrà causare lesioni a se stessi e agli altri.
- Non lasciare mai il prodotto incustodito con il tubo flessibile collegato all'attrezzo.
- Non continuare ad utilizzare un utensile o un tubo che perde aria o non funziona correttamente.
- Rischio di scoppio.
 - Non impostare il regolatore in modo da ottenere una pressione di uscita superiore alla pressione massima contrassegnata dell'accessorio.
- Il calore e l'alta temperatura sono generati mentre il motore e il cilindro sono in funzione. Toccare il metallo esposto potrebbe causare lesioni gravi.
 - Tenere sempre il compressore ad aria lontano dalle zone di lavoro.
- Lesioni causate dal rumore.
 - Indossare cuffie di protezione.
- Il gas che proviene dal compressore ad aria può accendere sporco, schegge, particelle libere e piccoli oggetti ad alta velocità. Questo potrebbe comportare il lancio di oggetti negli occhi o altre possibili lesioni gravi.
 - Indossare sempre dispositivi di protezione personale durante l'uso dei diversi attrezzi.

FAMILIARIZZARE CON IL PRODOTTO

Vedere a pagina 195.

1. Staffe che avvolgono il tubo
2. Accoppiatore di collegamento rapido
3. Accoppiatore maschio di tipo alto flusso PCL 1/4" BSP
4. Misuratore di pressione del serbatoio
5. Premere la manopola del regolatore
6. Misuratore di regolazione pressione
7. Manico per il trasporto
8. Valvola di sicurezza

9. Interruttore On/Off (Acceso/Spento)
10. Gruppo batterie
11. Valvola di scolo
12. Pulsante di ripristino

RIMOZIONE DELL'INVOLUCRO

Ispezionare con cura l'utensile per assicurarsi che non si sia verificata alcuna rottura o danneggiamento durante il trasporto.

Gettare il materiale di imballaggio solo dopo aver controllato con attenzione e in modo soddisfacente il regolare funzionamento dell'utensile.

⚠ AVVERTENZE

In caso di parti danneggiate o mancanti non utilizzare il prodotto fino a quando le parti non saranno state sostituite. L'utilizzo di questo prodotto con parti danneggiate o mancanti può causare gravi lesioni personali.

⚠ AVVERTENZE

Non tentare di modificare l'utensile o creare accessori non raccomandati per l'utilizzo con questo utensile. Tali modifiche equivalgono a un utilizzo non consentito e possono causare situazioni pericolose in grado di provocare gravi lesioni fisiche.

⚠ AVVERTENZE

Per evitare un avvio accidentale che potrebbe provocare gravi lesioni personali, rimuovere sempre il pacco batterie dal prodotto durante l'assemblaggio delle parti.

FUNZIONAMENTO

PREPARAZIONE

Collegamento/scollamento di un tubo dell'aria

Vedere a pagina 196.

NOTE: Per l'utilizzo con pressioni superiori a 7 bar, (102 psi) i tubi di mandata dovrebbero essere dotati di un cavo di sicurezza, ad es. un cavo antitorzione.

1. Accertarsi che l'interruttore di accensione/spengimento sia nella posizione SPENTO (O) e il pacco batterie sia scollegato.
2. Premere la manopola della pressione verso l'esterno per consentire la regolazione. Ruotare completamente la manopola di regolazione in senso anti-orario.
3. Confermare che la pressione in uscita sia su zero bar.
4. Collegare un tubo d'aria con un connettore a un accoppiatore di collegamento rapido da 6,35 mm (1/4 in.) sul compressore ad aria. Accertarsi di premere completamente il connettore nell'accoppiatore fino a quando la guaina sull'accoppiatore scatta in avanti per bloccare il connettore in posizione.

Per scollegare il tubo dell'aria o uno strumento ad aria:

1. Premere la manopola della pressione verso l'esterno per consentire la regolazione. Ruotare completamente la manopola di regolazione in senso anti-orario.
2. Confermare che la pressione in uscita sia su zero bar.





3. Tirare la leva di rilascio sull'accoppiatore veloce da 6.35 mm. con mano ferma, tirare verso l'esterno il connettore del tubo che è collegato all'accoppiatore rapido.

Connessione/rimozione di un pacco batterie

1. Accertarsi che l'interruttore di accensione/spegnimento sia nella posizione SPENTO (O).
2. Inserire un pacco batterie nella porta delle batterie.
3. Assicurarsi che le linguette su ciascun lato del gruppo batterie siano state inserite correttamente e che il gruppo batterie sia inserito nel prodotto prima di avviare le operazioni di lavoro.
4. Rilasciare le linguette per rimuovere il gruppo batterie.
5. Per istruzioni complete sulla ricarica, consultare i manuali per l'operatore del pacco batterie e del caricatore.

USO DEL COMPRESSORE D'ARIA

PERICOLO

Non smontare le valvole di scarico del serbatoio oppure la valvola di sicurezza quando è presente dell'aria nel serbatoio. Rilasciare l'aria presente nel serbatoio dell'aria. La mancata depressurizzazione del serbatoio dell'aria potrebbe provocare l'esplosione e/o lesioni personali gravi.

AVVERTENZE

Indossare sempre occhiali di protezione con schermi laterali. La mancata osservanza di questa norma, nel caso di proiezione di corpi estranei, potrebbe causare gravi lesioni.

AVVERTENZE

Non utilizzare componenti o accessori diversi da quelli raccomandati dal produttore per questo apparecchio. L'impiego di componenti o accessori non raccomandati potrebbe comportare il rischio di gravi lesioni.

AVVERTENZE

Non collegare gli utensil all'estremità del tubo fino a che l'avvio non sia stato completato.

AVVERTENZE

Rimuovere sempre il gruppo batterie dall'utensile mentre si montano le parti, si svolgono le operazioni di regolazione, pulizia o quando l'utensile non è in uso. Rimuovere le batterie aiuterà a prevenire l'avviamento accidentale dell'utensile che potrà causare gravi lesioni alla persona.

AVVERTENZE

Non utilizzare in un ambiente polveroso o contaminato. L'utilizzo del compressore ad aria in questo tipo di ambiente può danneggiare il prodotto.

1. Accertarsi che l'interruttore di accensione/spegnimento sia nella posizione SPENTO (O) e il pacco batterie sia stato rimosso.
2. Collegare il pacco batterie al prodotto.
3. Premere l'interruttore di accensione/spegnimento nella posizione ACCESO (I).
4. Premere la manopola della pressione verso l'esterno per consentire la regolazione.
5. Ruotare la manopola di regolazione della pressione alla pressione desiderata. Girare la manopola in senso orario aumenta la pressione dell'aria all'uscita. Girare in senso antiorario riduce la pressione dell'aria all'uscita. Spingere la manopola di regolazione della pressione per disattivare la regolazione.
6. Rispettando tutte le precauzioni di sicurezza di questo manuale e le istruzioni del produttore contenute nel manuale dello strumento ad aria, è possibile procedere all'uso dello strumento alimentato ad aria.

AVVERTENZE

Gli strumenti alimentati ad aria possono richiedere un apporto d'aria maggiore di quello che il presente compressore è in grado di offrire. Controllare il manuale dell'utensile per evitare danni all'utensile o rischiare gravi lesioni personali.

7. Controllare la quantità del flusso dell'aria con la manopola di regolazione della pressione. Ruotando completamente la manopola in senso anti-orario si interrompe del tutto il flusso dell'aria.

NOTE: Utilizzare sempre una quantità minima di pressione necessaria per il lavoro da svolgere. Utilizzare una pressione più alta di quella necessaria farà asciugare l'aria dal serbatoio più rapidamente e farà girare l'unità più frequentemente.

8. Per spegnere il compressore d'aria, premere l'interruttore di alimentazione nella posizione SPENTO (O).

NOTE: Quando il compressore si trova nella posizione ACCESO (I), il compressore dell'aria si accende automaticamente quando la pressione dell'aria nel serbatoio designato cala al di sotto del limite di pressione predefinito. Si spegnerà nuovamente quando viene raggiunta la pressione desiderata.

AVVERTENZE

Non superare mai la pressione dello strumento ad aria, come raccomandato dal produttore. Quando si usa questo compressore ad aria come dispositivo di gonfiamento seguire sempre le linee guida di gonfiamento massime definite dal produttore dell'oggetto da gonfiare.

AVVERTENZE

Accertarsi sempre che l'interruttore di accensione/spegnimento sia nella posizione SPENTO (O) e che il manometro indichi zero prima di sostituire gli utensili ad aria o di scollegare il tubo dall'uscita dell'aria. La non osservanza di queste norme potrà causare gravi lesioni personali.

Regolazione della pressione dell'aria

vedere a pagina 197.





EN
FR
DE
ES
IT
NL
PT
DA
SV
FI
NO
RU
PL
CS
HU
RO
LV
LT
ET
HR
SL
SK
BG
UK
TR
EL

- Al termine, svuotare sempre il serbatoio e rimuovere il pacco batterie. Non lasciare mai il prodotto in funzione o collegato al pacco batterie.

- Spostare il prodotto usando la maniglia di trasporto.
- Stoccare il compressore ad aria nella sua posizione di funzionamento normale, in un'area asciutta e protetta.

SVUOTAMENTO DEL SERBATOIO DELL'ARIA

Vedere a pagina 198.

Per scongiurare la corrosione del serbatoio ed evitare la formazione di umidità al suo interno, lo si deve vuotare quotidianamente.

Per vuotare il serbatoio dell'aria:

- Accertarsi che l'interruttore di accensione/spegnimento sia nella posizione SPENTO (O).
- Rimuovere il pacco batteria.
- spingere l'anello sulla valvola di scarico della pressione fino a quando il manometro del serbatoio indica meno di 1,4 bar (20 PSI).
- Rilasciare l'anello.
- Ruotare la leva della valvola di scarico in senso antiorario per far fuoriuscire l'umidità.

NOTE: La condensa è un materiale inquinante e deve essere smaltito seguendo le norme locali.

- Ruotare la leva della valvola di scarico in senso orario per chiudere la valvola di scarico.

PULSANTE DI RIPRISTINO

Quando la corrente nel motore del compressore dell'aria supera l'unità specificata, il compressore dell'aria si spegne automaticamente.

Per ripristinare il compressore dell'aria:

- Rimuovere il pacco batteria.
- Arrestare l'utensile.
- attendere tre minuti affinché il motore si raffreddi.
- Premere il tasto di reset.
- Collegare il pacco batterie al prodotto.
- Attivare il prodotto.

SOSTITUZIONE DI UN ACCOPPIATORE

Vedere a pagina 199.

- Accertarsi che l'interruttore di accensione/spegnimento sia nella posizione SPENTO (O).
- Rimuovere il pacco batteria.
- spingere l'anello sulla valvola di scarico della pressione fino a quando il manometro del serbatoio indica meno di 1,4 bar (20 PSI).
- Rilasciare l'anello.
- Usando una chiave, allentare e rimuovere l'accoppiatore ruotandola in senso antiorario.
- Utilizzando una chiave, installare un nuovo accoppiatore e serrare ruotandola in senso orario.

TRASPORTO E RIPONIMENTO

Vedere a pagina 200 - 201.

- Accertarsi che l'interruttore di accensione/spegnimento sia nella posizione SPENTO (O).
- Rimuovere il pacco batteria.
- Far funzionare lo strumento ad aria per scaricare la pressione dell'aria nel tubo, quindi rimuovere il tubo dell'aria e lo strumento ad aria. Rilasciare l'aria premendo la valvola di scarico della pressione.
- Scaricare l'acqua dal serbatoio come indicato nella sezione "Svuotamento del serbatoio dell'aria".
- Pulire il prodotto con un panno asciutto.
- Avvolgere il tubo dell'aria attorno alle staffe che avvolgono il tubo.

⚠ AVVERTENZE

L'acqua condenserà nel serbatoio del compressore ad aria quando il compressore è in funzione. L'acqua rimasta nel serbatoio può provocare l'indebolimento e la corrosione del serbatoio, incrementandone il rischio di rottura.

⚠ AVVERTENZE

Scollegare sempre il tubo dell'aria dagli strumenti ogni volta che non è in uso o durante gli interventi di manutenzione. Durante la manutenzione, uno strumento collegato a un tubo dell'aria potrebbe entrare in funzione accidentalmente, provocando gravi lesioni personali!

⚠ AVVERTENZE

La mancata rimozione del pacco batterie dal compressore ad aria prima dello stoccaggio potrebbe provocare il funzionamento continuato del compressore, causando surriscaldamento, danno al compressore e potenzialmente un incendio.

MANUTENZIONE

MANUTENZIONE GENERALE

- Evitare di utilizzare solventi quando si puliscono le parti in plastica. La maggior parte dei materiali plastici è soggetta a danni di vario tipo da solventi commerciali e può essere danneggiata dal contatto con gli stessi. Utilizzare un panno pulito per rimuovere tracce di sporco, polvere, olio, grasso, ecc.
- Non lasciare che liquidi per freni, benzina, prodotti a base di petrolio, oli penetranti, ecc, entrino in contatto con le parti in plastica. Le sostanze chimiche potranno danneggiare, indebolire o distruggere la plastica, il che potrà risultare in gravi lesioni personali.
- Scaricare sempre completamente la pressione, rimuovere il pacco batterie e lasciar raffreddare il prodotto prima di pulirlo o effettuare interventi di manutenzione del prodotto.
- Non modificare il prodotto in alcun modo né utilizzare accessori non approvati dalla ditta produttrice. La sicurezza dell'utente e quella degli altri potrà essere compromessa.
- Non utilizzare il prodotto se interruttori, paralame o altre applicazioni non funzionano come dovrebbero. Riportare presso un centro servizi autorizzato per riparazioni professionali o regolazioni.
- Prima di eseguire regolazioni, lubrificare o mantenere il prodotto, assicurarsi sempre di aver rimosso il gruppo batteria dal prodotto.
- Prima e dopo ogni utilizzo, controllare eventuali danni o parti rotte sull'utensile. Tenere il prodotto in condizioni di funzionamento ottimali sostituendo parti con ricambi approvati dalla ditta produttrice.



⚠ AVVERTENZE

Per maggiore sicurezza e affidabilità, tutte le riparazioni dovranno essere svolte da un centro servizi autorizzato.

TUTELA DELL'AMBIENTE



Riciclare le materie prime anziché gettarle tra i rifiuti domestici. Per tutelare l'ambiente, l'apparecchio, gli accessori e gli imballaggi devono essere smaltiti separatamente.

SIMBOLI SUL PRODOTTO



Indicazioni sicurezza



Leggere attentamente le istruzioni prima di avviare l'utensile.



Conformità CE



Marchio di conformità EurAsian



Marchio di conformità ucraino



Durante l'uso dell'apparecchio utilizzare sempre gli occhiali di protezione.



Indossare protezioni acustiche adeguate.



Utilizzo interno



Allerta circa le condizioni di umidità. Non esporre a pioggia. Riporre all'interno.



Inadeguatezza per la respirazione. L'aria prodotta direttamente dal compressore ad aria non dovrebbe mai essere utilizzata per la respirazione umana.



Rischio di scoppio. Non impostare il regolatore in modo da ottenere una pressione di uscita superiore alla pressione massima contrassegnata dell'accessorio. Non usare a pressioni superiori a 10 bar.



Questo compressore potrebbe avviarsi senza preavviso.

Rischio di incendio o esplosione. La zona delle operazioni di lavoro dovrà essere ben ventilata. Non fumare mentre si svolgono operazioni di verniciatura a spruzzo o quando sono presenti scintille o fiamme. Tenere il compressore il più lontano possibile dalla zona di lavoro. Tenere il compressore ad almeno 10 m lontano dalla zona di lavoro e da tutti i vapori esplosivi.



Pressione regolata



Pressione del serbatoio



I prodotti elettrici non devono essere smaltiti con i rifiuti domestici. Vi sono strutture per smaltire tali prodotti. Informarsi presso il proprio Comune o rivenditore di sicurezza per smaltire adeguatamente tali rifiuti.

SIMBOLI NEL MANUALE



Parti o accessori venduti separatamente



Note



Avvertenze

I seguenti simboli indicano i livelli di rischio associati a questo prodotto.

⚠ PERICOLO

Indica una situazione immediatamente pericolosa che, se non evitata, potrà causare gravi lesioni o morte.

⚠ AVVERTENZE

Indica una situazione potenzialmente pericolosa che, se non evitata, potrà causare gravi lesioni o morte.

⚠ ATTENZIONE

Indica una situazione potenzialmente pericolosa che, se non evitata, potrà causare lesioni minori o moderate.

ATTENZIONE

(Senza simbolo di allarme in materia di sicurezza) Indica una situazione che può provocare danni materiali.

Bij het ontwerp van uw luchtcompressor hebben veiligheid, prestaties en betrouwbaarheid de hoogste prioriteit gekregen.

BEOOGD GEBRUIK

De luchtcompressor is alleen bedoeld om perslucht te leveren. De luchtcompressor mag niet worden gebruikt om ander gas te comprimeren.

Het product is ontworpen voor het bedienen van pneumatisch gereedschap en het oppompen van hogedrukonderdelen, zoals autobanden en fietsbanden.

Dit product mag uitsluitend worden gebruikt door volwassenen die de instructies en waarschuwingen in deze handleiding hebben gelezen en die verantwoordelijk kunnen worden gehouden voor hun daden.

Het product mag alleen binnenshuis worden gebruikt.

Gebruik het product niet voor andere doeleinden dan waarvoor het is bestemd. Het gebruik van het werktuig voor niet-voorgeschreven gebruik kan leiden tot gevaarlijke situaties.

ALGEMENE VEILIGHEIDSWAARSCHUWINGEN

WAARSCHUWING

Lees alle veiligheidswaarschuwingen en instructies. Wanneer u deze en en instructies niet opvolgt, kan dit leiden tot electrocutie, brand en/of ernstige letstels.

Bewaar alle waarschuwingen en instructies voor toekomstig gebruik.

WAARSCHUWING

Wanneer u elektrisch gereedschap gebruikt, moeten de basisveiligheidsvoorzieningen altijd worden gevolgd om het risico op brand, elektrische schokken en letsels te verminderen. Lees alle instructies voor u probeert het product te gebruiken en bewaar deze instructies.

WERKPLEKVEILIGHEID

- Houd de werkplek schoon. Rommelige plaatsen en banken nodigen uit tot ongevallen. Laat werktuigen of stukken hout niet op het werktuig achter terwijl deze werkt.
- Gebruik het product niet in een gevaarlijke omgeving. Gebruik geen werktuigen op vochtige of natte plaatsen en stel ze niet bloot aan regen. Houd de werkplaats goed verlicht.
- Houd kinderen en bezoekers weg. Alle bezoekers moeten een veiligheidsbril dragen en op een veilige afstand van de werkplaats worden gehouden. Laat bezoekers tijdens gebruik van het product hiermee geen contact mee maken.
- Gebruik nooit in een explosieve atmosfeer. De normale vonken van de motor kunnen dampen ontsteken.

ELEKTRISCHE VEILIGHEID

- Mocht een elektrisch onderdeel van het product niet goed werken, zet dan de stroomschakelaar uit, verwijder de accu uit het product en vervang deze vóórdat u verdergaat met het gebruik.
- Stel gereedschapswerktuigen niet bloot aan regen of natte omstandigheden. Wanneer water een gereedschapswerktuig binnenkomt zal het risico op een elektrische schok toenemen.

PERSOONLIJKE VEILIGHEID

- Blijf alert en behoud de controle. Kijk naar wat u doet en gebruik uw gezond verstand. Gebruik het werktuig niet wanneer u moe bent. Spoed u niet.
- Draag aangepaste kleding. Draag geen losse kledij, dassen of juwelen die kunnen vast raken of u in de bewegende delen kunnen trekken. Rubberen handschoenen en antislipschoenen zijn aanbevolen wanneer u buitenshuis werkt. Draag haarbescherming om lang haar samen te houden.
- Draag altijd een veiligheidsbril met zijdelingse bescherming. Normale brilglazen zijn alleen bestand tegen impact; dit is GEEN veiligheidsbril.
- Bescherm uw longen. Draag een gezichtsmasker of een stofmasker bij werkzaamheden waarbij stofdeeltjes vrijkomen.
- Bescherm uw gehoor. Draag gehoorbescherming tijdens langere periodes van gebruik.
- Overrek u niet. Houd steeds een goed evenwicht en sta stevig met beide voeten op de grond.
- Verwijder sleutels. Maak er een gewoonte van om te controleren of sleutels van het gereedschap zijn voor u het inschakelt.

GEBRUIK VAN EN ZORGEN VOOR DE LUCHTCOMPRESSOR

- Overschrijd geen enkele nominale drukwaarde van een onderdeel in het systeem.
- Bescherm materiaal- en luchtleidingen tegen schade of gaten. Houd de slang uit de buurt van scherpe voorwerpen, gemorste chemicaliën, olie, oplosmiddelen en natte vloeren.
- Controleer of de slangen niet zwak of versleten zijn voor elk gebruik en zorg ervoor dat alle verbindingen veilig zijn. Niet gebruiken als een defect wordt gevonden. Koop een nieuwe slang of verwittig een geautoriseerd onderhoudscentrum voor nazicht of reparatie.
- Los langzaam alle druk in het systeem. Stof en vuil kunnen schadelijk zijn.
- Bewaar inactieve luchtcompressors buiten bereik van kinderen en andere onbevoegde personen. Luchtcompressors zijn gevaarlijk in handen van onbevoegde personen.
- Onderhoud luchtcompressoren zorgvuldig. Volg de onderhoudsinstructies. Goed onderhouden werktuigen kunnen makkelijker worden bediend.
- Controleer op foutieve affijning of binding van bewegende delen, defecten van onderdelen en alle andere omstandigheden die de werking van het werktuig kunnen beïnvloeden. Indien beschadigd,



laat u het werktuig onderhouden voor u het gebruikt. Veel ongevallen worden veroorzaakt door slecht onderhouden werktuigen.

- Houd de buitenkant van het product droog, schoon en vrij van olie en vet. Gebruik altijd een schone doek wanneer u de machine reinigt. Gebruik nooit remvloeistoffen, benzine, producten op petroleumbasis of sterke oplosmiddelen om de machine te reinigen. Wanneer u deze regel volgt, zult u het risico op slijtage van de kunststof afdekking verminderen.

ONDERHOUD

- Gebruik voor vervanging uitsluitend originele reserveonderdelen. Gebruik van niet originele onderdelen kan gevaar opleveren of schade aan de machine veroorzaken.

Bewaar deze instructies. Raadpleeg ze regelmatig en gebruik dit om anderen te instrueren. Als u dit werktuig aan iemand uitleent, leen hem dan deze instructies ook uit.

VEILIGHEIDSWAARSCHUWINGEN VOOR LUCHTCOMPRESSOR

- Ken uw product. Lees zorgvuldig de gebruikshandleiding. Leer de toepassingen en beperkingen en de specifieke mogelijke gevaren die met deze machine zijn verbonden. Zo kunt u het gevaar voor elektrische schokken, brand of ernstig lichamelijke letsel beperken.
- Tap na elke dag gebruik vocht in de luchttank af. Als het product een tijdje niet zal worden gebruikt, kunt u de afvoerklep het beste open laten tot het volgende gebruik. Hierdoor wordt vocht volledig afgevoerd en wordt corrosie aan de binnenkant van de luchttank voorkomen.
- Risico op brand of ontploffing. Spuit geen ontvlambare vloeistoffen in een gesloten ruimte. Spuitplek moet goed geventileerd zijn. Rook niet terwijl u verf spuit en spuit niet waar vlammen of vonken aanwezig zijn. Houd het product op minimaal 10 m afstand van het spuitgebied en alle explosieve dampen.
- Ontploffingsgevaar. Stel de regelaar niet zodanig af dat de uitgangsdruk groter is dan de gemarkeerde maximale druk van de bevestiging. Niet gebruiken bij een druk hoger dan 8,3 bar.
- Om de kans op elektrische schokken te vermijden, mag het product niet aan regen worden blootgesteld. Bewaar het product binnenshuis.
- Controleer de luchttank jaarlijks op roest, gaatjes of andere onvolkomenheden waardoor het product onveilig zou kunnen worden.
- Las de luchttank nooit en boor er nooit gaten in.
- Zorg ervoor dat de slang vrij is van obstructies of hindernissen. Verstrikte of verstrengelde slangen kunnen leiden tot evenwichtsverlies of verlies van vaste voet en kunnen beschadigd raken.
- Gebruik het product alleen voor het beoogde gebruiksdoel. Wijzig of verander de machine niet van het originele ontwerp of functie.
- Denk er altijd aan dat misbruik en het onjuist behandelen van dit werktuig letsels bij uzelf en anderen kan veroorzaken.
- Laat het product nooit onbeheerd achter wanneer de luchtslang op gereedschap is aangesloten.
- Richt luchtgereedschap nooit op uzelf of anderen.
- Gebruik dit werktuig niet als het geen leesbaar waarschuwingsetiket bevat.
- Gebruik het product of de slang niet langer als deze lucht lekt of niet goed functioneert.
- Koppel de luchttoevoer altijd los en verwijder de accu vóórdat u aanpassingen aanbrengt, onderhoud aan het product uitvoert of wanneer het product niet in gebruik is.
- Het product niet aan de slang naar u toe trekken of dragen.
- Uw gereedschap vereist mogelijk meer luchtverbruik dan het product kan leveren.
- Volg altijd alle veiligheidsvoorschriften op die zijn aanbevolen door de fabrikant van uw luchtcompressor, naast alle veiligheidsvoorschriften voor de luchtcompressor. Wanneer u deze regel opvolgt, vermindert dit het risico op ernstige letsels.
- Richt een persluchtstraal nooit naar mensen of dieren. Zorg ervoor om geen stof en vuil in de richting van uzelf of anderen te blazen. Wanneer u deze regel opvolgt, vermindert dit het risico op ernstige letsels.
- Gebruik het product niet om chemicaliën te spuiten. Uw longen kunnen worden beschadigd door het inademen van giftige dampen. Een ademhalingsstoel kan nodig zijn in stofferige omgevingen of wanneer u verf spuit. Draag niet terwijl u verft.
- Inspecteer regelmatig werktuigsnoeren en -slangen en, indien beschadigd, laat u deze door uw dichtstbijzijnde onderhoudscentrum repareren. Zorg dat u altijd weet waar het netsnoer zich precies bevindt. Zo beperkt u de kans op elektrische schokken.
- Controleer op foutieve affijning of binding van bewegende delen, defecten van onderdelen en alle andere omstandigheden die de werking van het werktuig kunnen beïnvloeden. Indien beschadigd, laat u het werktuig onderhouden voor u het gebruikt. Veel ongevallen worden veroorzaakt door slecht onderhouden werktuigen.
- Wanneer vaste afschermingen voor periodiek onderhoud of reparatie moeten worden verwijderd, moeten de bijhorende bevestigingssystemen aan de afscherming of machines worden bevestigd wanneer de afschermingen worden verwijderd.
- Berg nooit gereedschap op wanneer dit op een luchtslang is aangesloten. Als u gereedschap opslaat terwijl dit op een luchttoevoer is aangesloten, kan het onverwacht gaan werken, ontbranden of bewegen en mogelijk ernstig persoonlijk letsel veroorzaken.
- Bescherm uw longen. Draag een gezichtsmasker of een stofmasker bij werkzaamheden waarbij stofdeeltjes vrijkomen. Wanneer u deze regel opvolgt, vermindert dit het risico op ernstige letsels.
- Bewaar deze instructies. Raadpleeg ze regelmatig en gebruik ze om anderen instructies te geven over het gebruik van dit product. Als u dit werktuig aan iemand uitleent, leen hem dan deze instructies ook uit.
- Gebruik de machine voor het besturingspaneel.
- Wanneer de machine werkt, kunnen veel onderdelen



van de machine een hoge temperatuur veroorzaken. Gebruik de benodigde beschermingsuitrusting, zoals handschoenen om letsels omwille van de hoge temperatuur te voorkomen.

- Het apparaat is niet bedoeld voor gebruik door personen (inclusief kinderen) met verminderde lichamelijke, zintuiglijke of geestelijke vermogens, of met onvoldoende ervaring en kennis. Kinderen mogen het product uitsluitend gebruiken onder toezicht en mogen niet spelen met het product.

VEILIGHEIDSWAARSCHUWINGEN BATTERIJ EN LADER

⚠ WAARSCHUWING

Voorkom brand, persoonlijk letsel of materiële schade door kortsluiting en dompel het gereedschap, de wisselaccu en het laadtoestel niet onder in vloeistoffen en waarborg dat geen vloeistoffen in de apparaten en accu's kunnen dringen. Corrosieve of geleidende vloeistoffen zoals zout water, bepaalde chemicaliën, bleekmiddelen of producten die bleekmiddelen bevatten, kunnen een kortsluiting veroorzaken.

- **Laad alleen op met de oplader die door de fabrikant is aangegeven.** Een oplader die geschikt is voor een batterijtype kan brandgevaar veroorzaken wanneer het voor een andere batterij wordt gebruikt.
- **Gebruik elektrisch gereedschap uitsluitend met speciaal hiervoor bedoelde accu's.** Het gebruik van andere accu's kan letsel en brand veroorzaken.
- **Wanneer het batterijpack niet wordt gebruikt, houdt u het weg van andere metalen voorwerpen, zoals paperclips, muntstukken, sleutels, nagels, schroeven of andere kleine metalen voorwerpen die een verbinding van de ene naar de andere terminal kunnen maken.** Het op elkaar kortsluiten van accupolen kan leiden tot brandwonden of brand.
- **Bij verkeerd gebruik kan vloeistof uit de batterij lekken; vermijd contact. Als per ongeluk contact wordt gemaakt, spoel dan met water. Schakel bovendien medische hulp in als er vloeistof in de ogen komt.** Uit de accu afkomstige vloeistof kan irritatie of brandwonden veroorzaken.
- **Accuproducten moeten niet met een contactdoos zijn verbonden; daarom zijn ze altijd gebruiksklaar. Let op mogelijke gevaren wanneer u accuproducten niet gebruikt of wanneer u accessoires oplaadt.** Zo kunt u het gevaar voor elektrische schokken, brand of ernstig lichamelijke letsel beperken.
- **Plaats geen accuproducten of hun accu's in de buurt van vuur of hitte.** Dit zal het gevaar op explosie en mogelijke letsels verminderen.
- **Verbrijzel accupacks niet, laat ze niet vallen of beschadig ze niet. Gebruik geen accupack of lader die in de grond viel of een sterke slag ontving.** Een beschadigde accu kan ontploffen. Gooi gevallen of beschadigde accu's onmiddellijk weg op de geschikte manier.
- **Accu's kunnen ontploffen wanneer een ontstekingsbron, zoals een waakvlam, aanwezig is.**

Om het risico op ernstige letsels te verminderen, nooit een snoerloos product gebruiken in de aanwezigheid van een open vlam. Een ontplofte accu kan brokstukken en chemicaliën rondslingeren. Indien u met de accu in contact komt, spoelt u onmiddellijk met water.

- **Laad geen accuaangedreven producten op een vochtige of natte plaats op.** Zo kunt u het gevaar voor elektrische schokken beperken.
- **Voor het beste resultaat, moet uw batterijproduct worden opgeladen op een plaats waar de temperatuur hoger is dan 10°C, maar lager dan 38°C. Om de kans op ernstig persoonlijk letsel te beperken mag u het niet buiten of in voertuigen opslaan.**
- **Onder extreme gebruiks- of temperatuuromstandigheden is het mogelijk dat de accu lekt. Als vloeistof in contact komt met uw huid, wast u onmiddellijk uit met water en zeep. Als de vloeistof in uw ogen raakt, spoelt u deze met schoon water gedurende tenminste 10 minuten en raadpleegt u onmiddellijk medische hulp.** Wanneer u deze regel opvolgt, vermindert dit het risico op ernstige letsels.
- **Gebruik geen beschadigde of aangepaste accu.** Beschadigde of aangepaste accu's kunnen onvoorspelbaar gedrag vertonen en leiden tot brand, explosies of kans op letsel.
- **Probeer een beschadigde accu niet te modificeren of repareren.**
- **Stel accu's of gereedschap niet bloot aan vuur of hoge temperaturen.** Blootstelling aan vuur of temperaturen van boven 130°C kan explosies veroorzaken.
- **Volg alle instructies en laad de accu of het gereedschap niet op buiten het temperatuurbereik dat in de handleiding wordt aangegeven.** Onjuist opladen of opladen bij temperaturen buiten het aangegeven bereik kan schade aan de accu veroorzaken en de kans op brand verhogen.

VERVOEREN VAN LITHIUM BATTERIJEN

Vervoer de accu in overeenstemming met de plaatselijke en nationale voorzieningen en regelgevingen.

Volg alle speciale vereisten op de verpakking en etiketten bij het vervoeren van batterijen door een derde partij. Zorg dat de batterijen tijdens het vervoer niet in contact komen met andere batterijen of geleidende materialen door de blootliggende aansluitpunten te beschermen met een isolerende, niet-geleidende dop of tape. Geen gekraakte of lekkende accu's vervoeren. Controleer bij het doorsturende bedrijf voor verder advies.

ACCU'S

Accu's die lange tijd niet gebruikt zijn, dienen voor gebruik opnieuw opgeladen te worden.

De prestatie van de accu vermindert bij temperaturen boven de 50°C. Vermijd langdurige blootstelling aan hitte of zonlicht (gevaar van oververhitting).

De contacten van opladers en accu's moeten schoon worden gehouden.

Voor een optimale levensduur dient de accu na gebruik volledig opgeladen te worden.



Haal de accu na volledig opladen uit de oplader om voor een zo lang mogelijke levensduur te zorgen.

Voor langer dan 30 dagen opslaan van accu's:

- Bewaar de accu op een plaats waar de temperatuur lager is dan 27°C en uit de buurt van vocht.
- Bewaar accu's in een 30% -50% opgeladen toestand.
- Laad opgeslagen accu's zoals gewoonlijk om de zes maanden.

BESCHERMING VAN ACCU

De accu heeft een beveiliging tegen overbelasting. Deze beschermt tegen een te hoge lading en helpt een lange levensduur te garanderen. Bij extreme spanning schakelt de accu-elektronica het product automatisch uit. Om te herstarten, schakelt u het product uit en vervolgens weer in. Als het product niet opnieuw opstart, is de accu mogelijk volledig leeg. In dit geval moet deze in de acculader worden opgeladen.

RESTRISICO'S

Zelfs wanneer het product zoals voorgeschreven wordt gebruikt, blijft het onmogelijk om alle restrisico's te voorkomen. De volgende gevaren kunnen optreden bij gebruik en de gebruiker dient speciaal op te letten om het volgende te voorkomen:

- Gebruik het product alleen voor het beoogde gebruiksdoel. Wijzig of verander de machine niet van het originele ontwerp of functie.
- Denk er altijd aan dat misbruik en het onjuist behandelen van dit werktuig letsels bij uzelf en anderen kan veroorzaken.
- Laat het product nooit onbeheerd achter wanneer de slang op gereedschap is aangesloten.
- Gebruik het product of de slang niet langer als deze lucht lekt of niet goed functioneert.
- Ontploffingsgevaar.
 - Stel de regelaar niet zodanig af dat de uitgangsdruk groter is dan de gemarkeerde maximale druk van de bevestiging.
- Bij gebruik van de motor en cilinder worden warmte en hoge temperaturen gegenereerd. Het aanraken van blootgestelde metalen kan ernstige brandwonden veroorzaken.
 - Houd de luchtcompressor altijd uit de buurt van werkgebieden.
- Letsels veroorzaakt door geluid
 - Draag gehoorbescherming.
- Het gas uit de luchtcompressor kan vuil, spaanders, losse deeltjes en kleine objecten met hoge snelheid voortstuwen. Dit kan ertoe leiden dat objecten in de ogen terechtkomen of kan tot andere ernstige verwondingen leiden.
 - Draag bij het gebruik van verschillende gereedschappen altijd de juiste persoonlijke beschermingsmiddelen.

KEN UW PRODUCT

Zie pagina 195.

1. Slangomslagbeugels

2. Koppeling voor snelle montage
3. Mannelijke PCL-koppeling voor hoge stroomsnelheid, 1/4 inch BSP
4. Tankdrukmeter
5. Drukregelknop
6. Regeldrukmeter
7. Draaghandvat
8. Veiligheidsklep
9. Aan-/uitschakelaar
10. Batterijpak
11. Aflaatklep
12. RESET-knop

UITPAKKEN

Inspecteer het gereedschap zorgvuldig om ervoor te zorgen dat er niets breekt of beschadigt tijdens het transport.

Gooi het verpakkingsmateriaal niet weg totdat u het gereedschap zorgvuldig en naar volle tevredenheid hebt geïnspecteerd.

⚠ WAARSCHUWING

Als er onderdelen zijn beschadigd of ontbreken mag u dit product niet gebruiken totdat de onderdelen zijn vervangen. Het gebruik van dit product met beschadigde of ontbrekende onderdelen kan leiden tot ernstig lichamelijk letsel.

⚠ WAARSCHUWING

Verander niets aan de machine en gebruik geen accessoires die niet worden aanbevolen. Dergelijke wijzigingen of aanpassingen zijn misbruik en kunnen gevaarlijke situaties opleveren en mogelijk ernstig lichamelijk letsel veroorzaken.

⚠ WAARSCHUWING

Voorkom ongewild starten dat ernstig persoonlijk letsel zou kunnen veroorzaken en verwijder altijd de batterij uit het product tijdens het monteren van onderdelen.

BEDIENING

VOORBEREIDING

Aankoppelen/afkoppelen van een luchtslang

Zie pagina 196.

OPMERKING: Voor werking bij drukken boven 7 bar (102 psi), moeten de slangen worden voorzien van een veiligheidsnoer, bijvoorbeeld een staaldraad.

1. Zorg ervoor dat de aan/uit-schakelaar in de UIT-positie (0) staat en dat de batterij is afgekoppeld.
2. Trek de drukregelknop naar buiten om de regeling mogelijk te maken. Draai de drukregelknop volledig tegen de klok in.
3. Bevestig dat de uitlaatdruk nul bar bedraagt.
4. Verbind een luchtslang met een koppelstuk aan de 6,35 mm snelkoppeling aan de luchtcompressor. Druk het koppelstuk helemaal in de snelkoppeling tot de mof op de snelkoppeling naar voor springt om het koppelstuk



te blokkeren.

Om een luchtslang af te koppelen van een apparaat op luchtdruk:

1. Trek de drukregelknop naar buiten om de regeling mogelijk te maken. Draai de drukregelknop volledig tegen de klok in.
2. Bevestig dat de uitlaatdruk nul bar bedraagt.
3. Trek aan de schuivende borgring op de 6.35 mm (1/4 in.) snelle koppelaar. Trek met een stevige greep de slangconnector uit die op de snelkoppeling is bevestigd.

Aankoppelen/verwijderen van een batterijpak

1. Zorg ervoor dat de aan/uit-schakelaar in de UIT-positie (O) staat.
2. Voeg een batterijpak in de batterijpoort in.
3. Zorg ervoor dat de knipsluitingen aan elke kant van het batterijpak op hun plaats vast klikken en dat de batterij stevig aan het toestel is vastgemaakt vooraleer u ermee begint te werken.
4. Knipsluitingen indrukken om het batterijpak te verwijderen.
5. Voor volledige laadinstructies, zie de gebruikershandleiding voor uw batterijpak en lader.

GEBRUIK VAN DE LUCHTCOMPRESSOR

⚠ GEVAAR

Demonteer de afvoerkleppen of veiligheidsklep van de tank niet met lucht in de luchttank. Laat de lucht uit de luchttank. Als de druk niet uit de luchttank wordt gelaten, kan dit leiden tot een ontploffing en/of ernstig persoonlijk letsel.

⚠ WAARSCHUWING

Draag altijd gezichtsbescherming met zijdelingse beschermers. Er kunnen wegsplattende deeltjes in uw ogen komen en ernstig oogletsel veroorzaken als u zich hier niet aan houdt.

⚠ WAARSCHUWING

Gebruik geen andere onderdelen of accessoires dan die door de fabrikant voor deze machine zijn aanbevolen en bijgeleverd. Bij gebruik van niet aanbevolen onderdelen of accessoires bestaat gevaar voor ernstig lichamenlijk letsel.

⚠ WAARSCHUWING

Verbind geen werktuigen met het open uiteinde van de slang tot het opstarten voltooid is.

⚠ WAARSCHUWING

Verwijder de accu altijd uit uw gereedschap wanneer u onderdelen monteert, de machine afstelt, schoonmaakt of niet gebruikt. Wanneer u het accupack verwijdert, voorkomt dit accidenteel starten, wat ernstig letsel kan veroorzaken.

⚠ WAARSCHUWING

Gebruik niet in een stofferige omgeving of een omgeving die op een andere manier is vervuild. Het gebruik van de luchtcompressor in dit type omgeving kan schade aan het product veroorzaken.

Aanpassen van de luchtdruk

Zie pagina 197.

1. Zorg ervoor dat de aan/uit-schakelaar in de UIT-positie (O) staat en dat het batterijpak is verwijderd.
2. Verbind het batterijpak met het product.
3. Druk de aan/uit-schakelaar in de AAN-stand (I).
4. Trek de drukregelknop naar buiten om de regeling mogelijk te maken
5. Draai de drukregelknop tot de gewenste druk. Wanneer u de knop tegen de richting van de wijzers van de klok draait verhoogt de luchtdruk aan de uitlaat. Wanneer u tegen de richting van de wijzers van de klok draait, vermindert de luchtdruk aan de uitlaat. Druk de drukregelknop naar binnen om de regeling uit te schakelen.
6. Na het volgen van alle veiligheidsmaatregelen in deze handleiding en de instructies van de fabrikant in de handleiding van het pneumatisch gereedschap, kunt u nu doorgaan met het gebruik van uw pneumatisch gereedschap.

⚠ WAARSCHUWING

Pneumatisch gereedschap kan mogelijk meer luchtverbruik vereisen dan deze luchtcompressor kan leveren. Controleer de handleiding van het werktuig om schade aan het werktuig of risico op letsel te vermijden.

7. Regel het luchtdebiet met de drukregelknop. Het volledig tegen de klok in draaien van de knop zal de luchtstroom volledig stoppen.
OPMERKING: Gebruik altijd de minimumdruk nodig voor uw toepassing. Wanneer u een hogere druk dan nodig gebruikt, zal de lucht uit de tank sneller worden opgebruikt, waardoor de machine vaker zal moeten geactiveerd worden.
8. Om de luchtcompressor uit te schakelen, druk de stroomschakelaar in de UIT-positie (O).
OPMERKING: Wanneer de compressor in de AAN-positie (I) staat, zal de luchtcompressor automatisch inschakelen wanneer de aangegeven luchtdruk in de tank onder de ingestelde limietdruk zakt. Hij zal ook opnieuw uitschakelen wanneer de gewenste druk is bereikt.

⚠ WAARSCHUWING

Overschrijd nooit de drukklasse van het pneumatisch gereedschap die is aanbevolen door de fabrikant. Wanneer u deze luchtcompressor gebruikt om iets op te blazen, volg altijd de richtlijnen inzake maximaal opblazen zoals opgegeven door de fabrikant van het op te blazen voorwerp.

EN
FR
DE
ES
IT
NL
PT
DA
SV
FI
NO
RU
PL
CS
HU
RO
LV
LT
ET
HR
SL
SK
BG
UK
TR
EL

⚠ WAARSCHUWING

Zorg er altijd voor dat de aan/uit-schakelaar in de UIT-positie (O) staat en dat de drukmeter van de regelaar nul aangeeft alvorens pneumatisch gereedschap te verwisselen of de slang af te koppelen van de luchtuitlaat. Wanneer u dit niet doet kan dit leiden tot ernstige letsels.

9. Wanneer u klaar bent, tap dan de tank af en verwijder de batterij. Laat het product nooit in werking of verbonden aan het batterijpak.

AFTAPPEN VAN DE LUCHTTANK

Zie pagina 198.

Om corrosie van de tank te voorkomen en vochtigheid uit de luchttank te houden, moet de luchttank van de compressor dagelijks afgetapt worden.

Om de luchttank af te tappen:

1. Zorg ervoor dat de aan/uit-schakelaar in de UIT-positie (O) staat.
2. Verwijder het batterijpak.
3. Trek aan de ring op de overdrukkelep tot de drukmeter van de tank minder dan 1,4 bar (20 psi) aangeeft.
4. Los de ring.
5. Draai de hendel van de aftapkelep tegen de klok in om de vochtigheid af te tappen.

OPMERKING: Condens is een vervuilend materiaal en moet in overeenstemming met de plaatselijke reglementen worden weggegooid.

6. Draai de hendel van de aftapkelep met de klok mee om de aftapkelep te sluiten.

RESET-KNOP

Wanneer de stroom in de luchtcompressor de gespecificeerde waarde overschrijdt, zal de luchtcompressor automatisch uitschakelen.

Om de luchtcompressor te resetten:

1. Verwijder het batterijpak.
2. Schakel het werktuig uit.
3. Wacht drie minuten tot de motor is afgekoeld.
4. Druk op de resetknop.
5. Verbind het batterijpak met het product.
6. Schakel het product in.

VERVANGEN VAN EEN SNELKOPPELING

Zie pagina 199.

1. Zorg ervoor dat de aan/uit-schakelaar in de UIT-positie (O) staat.
2. Verwijder het batterijpak.
3. Trek aan de ring op de overdrukkelep tot de drukmeter van de tank minder dan 1,4 bar (20 psi) aangeeft.
4. Los de ring.
5. Draai met behulp van een sleutel de snelkoppeling los door tegen de klok in te draaien en verwijder ze.
6. Installeer een nieuwe snelkoppeling met behulp van een sleutel en zet vast door met de klok mee te draaien.

TRANSPORT EN OPSLAG

Zie pagina 200-201.

1. Zorg ervoor dat de aan/uit-schakelaar in de UIT-positie

(O) staat.

2. Verwijder het batterijpak.
3. Laat het pneumatisch gereedschap werken om de luchtdruk in de slang af te laten en verwijder dan de luchtslang en het pneumatisch gereedschap. Laat de lucht vrij door aan de overdrukkelep te trekken.
4. Tap water af van de tank zoals aangegeven in het hoofdstuk "Aftappen van de luchttank".
5. Reinig het product met een droge doek.
6. Wikkel de luchtslang rond de beugels om de slang op te wikkelen.
7. Draag het product met de draaghendel.
8. Bewaar de luchtcompressor in zijn normale werkpositie op een droge en beschermde plek.

⚠ WAARSCHUWING

Water zal condenseren in de luchtcompressortank wanneer de compressor werkt. Overgebleven water in de tank kan leiden tot corrosie en verzwakking van de tank, wat het risico op scheuren van de tank vergroot.

⚠ WAARSCHUWING

Koppel de luchtslang altijd af van gereedschap wanneer dit niet in gebruik is of tijdens onderhoud. Tijdens onderhoud kan gereedschap verbonden met een luchtslang ongewild in werking treden, wat kan leiden tot ernstig persoonlijk letsel!

⚠ WAARSCHUWING

Als u het batterijpak vóór opslag niet uit de luchtcompressor verwijdert, kan de compressor continu draaien, waardoor oververhitting, schade aan de compressor en mogelijk brand kan ontstaan.

ONDERHOUD

ALGEMEEN ONDERHOUD

- Voorkom het gebruik van oplosmiddelen wanneer u kunststof onderdelen reinigt. De meeste kunststoffen zijn gevoelig voor schade van verschillende types commerciële schoonmaakproducten en kunnen door hun gebruik worden beschadigd. Gebruik een schone doek om vuil, stof, olie, vet, enz. te verwijderen.
- Remvloeistof, benzine, producten op basis van petroleum, kruipolie, enz. mogen nooit in contact komen met kunststof onderdelen. Chemicaliën kunnen kunststof beschadigen, verzwakken of verwoesten, wat kan leiden tot ernstig letsel.
- Laat altijd alle druk af, verwijder het batterijpak en laat het product afkoelen tot u het kunt aanraken alvorens het product te reinigen of te repareren.
- Wijzig het product niet op een manier die niet door de fabrikant is goedgekeurd en gebruik geen accessoires die niet door de fabrikant zijn goedgekeurd. Uw veiligheid en deze van anderen kan in gevaar worden gebracht.
- Gebruik het product niet als de schakelaars, beschermers of andere functies niet naar behoren werken. Breng naar een geautoriseerd

onderhoudscentrum voor professionele herstellingen of afstellingen.

- Zorg er altijd voor dat de accu uit het product is verwijderd voordat u afstellingen uitvoert, het product smeert of onderhoud op het product uitvoert.
- Voor en na elk gebruik controleert u het product op schade of gebroken onderdelen. Bewaar het product in een uitstekende conditie door onderdelen onmiddellijk te vervangen door vervangonderdelen die door de fabrikant zijn goedgekeurd.

⚠ WAARSCHUWING

Alle reparaties moeten worden uitgevoerd door een Erkend Servicecentrum teneinde de veilige en betrouwbare werking van de machine te garanderen.

MILIEUBESCHERMING



Zorg dat grondstoffen worden gerecycled in plaats van weggegooid als afval. Om het milieu te beschermen dient de machine, de accessoires en de verpakking gesorteerd bij een erkend recyclingcentrum te worden aangeleverd.

SYMBOLEN OP HET PRODUCT



Veiligheidswaarschuwing



Lees de instructies zorgvuldig voordat u de machine in gebruik neemt.



EG conformiteit



EurAsian-symbool van overeenstemming



Oekraïens conformiteitssymbool



Bij het werken met de machine altijd een veiligheidsbril dragen.



Draag oorbeschermers.



Voor binnenshuis gebruik



Waarschuwing voor natte toestand. Niet aan regen blootstellen Binnenshuis bewaren.



Risico op inademing. Lucht die direct van de luchtcompressor wordt verkregen mag nooit worden gebruikt om lucht te leveren voor inademing door personen.



Ontploffingsgevaar. Stel de regelaar niet zodanig af dat de uitgangsdruk groter is dan de gemarkeerde maximale druk van de bevestiging. Niet gebruiken bij een druk hoger dan 10 bar.



Deze compressor kan zonder waarschuwing starten.



Risico op brand of ontploffing. Spuitplek moet goed geventileerd zijn. Rook niet terwijl u verf spuit en spuit niet waar vlammen of vonken aanwezig zijn. Houd compressoren zo ver mogelijk weg van de spuitplek. Houd de compressor tenminste 10 m van de spuitplek en alle ontplofbare dampen weg.



Geregelde druk



Tankdruk



Elektrisch afval mag niet samen met ander huishoudafval worden weggegooid. Gelieve te recyclen indien de mogelijkheid bestaat. Neem contact op met uw gemeente of handelaar om advies te krijgen over recyclage.

SYMBOLEN IN DE GEBRUIKSAANWIJZING



Onderdelen of accessoires afzonderlijk gekocht



Opmerking



Waarschuwing

De volgende kernwoorden en verklaringen zijn bedoeld om de gevaaurniveaus die op dit toestel betrekking hebben, te verklaren.

⚠ GEVAAR

Wijst op een gevaarlijke situatie die, indien ze niet wordt vermeden, kan leiden tot ernstige verwondingen of de dood.

⚠ WAARSCHUWING

Wijst op een mogelijk gevaarlijke situatie die, indien ze niet wordt vermeden, kan leiden tot ernstige verwondingen of de dood.

⚠ LET OP

Wijst op een mogelijk gevaarlijke situatie die, indien ze niet wordt vermeden, kan leiden tot lichte of middelmatige verwondingen.

LET OP

(Zonder veiligheidssymbool) Geeft een situatie aan die materiële schade zou kunnen veroorzaken.

- EN
- FR
- DE
- ES
- IT
- NL**
- PT
- DA
- SV
- FI
- NO
- RU
- PL
- CS
- HU
- RO
- LV
- LT
- ET
- HR
- SL
- SK
- BG
- UK
- TR
- EL



No design do seu compressor de ar, demos prioridade à segurança, ao desempenho e à fiabilidade.

UTILIZAÇÃO PREVISTA

O compressor de ar destina-se a fornecer exclusivamente ar pressurizado. Não deve ser utilizado para comprimir qualquer outro gás.

O produto foi concebido para operar ferramentas pneumáticas e encher objetos de alta pressão, tais como pneus de automóveis e bicicletas.

O produto destina-se a ser utilizada por adultos que tenham lido e compreendido as instruções e os avisos neste Manual e que possam ser considerados responsáveis pelas suas acções.

O produto só deve ser utilizado em espaços interiores.

Utilize o produto exclusivamente para o uso para o qual foi concebido. O uso da ferramenta eléctrica para as operações diferentes daquelas a que se destina podem causar uma situação perigosa.

AVISOS GERAIS DE SEGURANÇA

AVISO

Leia todos os avisos de segurança e todas as instruções. O incumprimento em seguir os s e as instruções pode ter como consequências o choque eléctrico, incêndio e/ou lesões graves.

Guarde todos os avisos e instruções para futuras consultas.

AVISO

Ao utilizar ferramentas eléctricas, devem seguir-se sempre precauções básicas de segurança para minimizar o risco de incêndio, choque eléctrico e lesões. Leia todas as instruções antes de utilizar o produto e conserve-as.

SEGURANÇA NA ÁREA DE TRABALHO

- Mantenha a área de trabalho limpa. As áreas e os bancos de trabalho desordenados são mais susceptíveis de causar acidentes. Não deixe ferramentas ou peças de madeira na ferramenta enquanto estiver a funcionar.
- Não utilize o produto em ambientes perigosos. Não utilize ferramentas eléctricas em locais húmidos ou molhados e mantenha-as ao abrigo da chuva. Mantenha a área de trabalho bem iluminada.
- Mantenha as crianças e os visitantes afastados. Todos os visitantes devem usar óculos de protecção e serem mantidos a uma distância de segurança da área de trabalho. Não permita que outras pessoas toquem no produto durante a utilização.
- Nunca utilize esta ferramenta numa atmosfera explosiva. A ignição normal do motor pode inflamar fumos.

SEGURANÇA ELÉCTRICA

- Caso qualquer um dos componentes eléctricos não funcione corretamente, desligue o interruptor geral, retire a unidade da bateria do produto e substitua antes de retomar a utilização.
- Não exponha as ferramentas eléctricas à chuva ou a condições de humidade. Se entra água numa ferramenta eléctrica aumentará o risco de descargas eléctricas.

SEGURANÇA PESSOAL

- Mantenha-se alerta e sempre a controlar o que estiver a fazer. Observe o que está a fazer e utilize o senso comum. Não utilize a ferramenta quando estiver cansado. Não se precipite.
- Vista-se adequadamente. Não use roupas largas, cachecóis, ou jóias que possam ser apanhados por peças móveis. É recomendado utilizar luvas de borracha e calçado anti-deslizante sempre que trabalhar ao ar livre. Use cobertura de protecção para o cabelo para prender o cabelo comprido.
- Use sempre óculos de segurança com protectores laterais. Os óculos do dia a dia apenas possuem lentes resistentes ao impacto; estes NÃO são óculos de segurança.
- Proteja os seus pulmões. Use uma protecção facial ou uma máscara anti-poeiras se o trabalho provocar poeiras.
- Proteja a sua audição. Use protecção auricular durante períodos prolongados de operação.
- Não se aproxime em demasia. Mantenha sempre o equilíbrio e a posição dos pés adequada.
- Retire as chaves de porcas. Habitue-se a verificar se as chaves de ajuste e as chaves inglesas foram retiradas da ferramenta antes de a ligar.

UTILIZAÇÃO E CUIDADOS DO COMPRESSOR DE AR

- Não ultrapasse o nível de pressão de nenhum componente no sistema.
- Proteja as tubagens de material e as de ar de danos ou perfurações. Mantenha o tubo flexível afastado de objetos afiados, derrames de substâncias químicas, óleos, solventes e pisos molhados.
- Verifique se as mangueiras estão fracas ou desgastadas antes de cada utilização, assegurando-se que todas as ligações estão firmes. Não use a unidade avariada. Compre uma nova mangueira ou notifique a um centro de assistência autorizada para que proceda à sua revisão ou reparação.
- Liberte toda a pressão do sistema lentamente. O pó e os detritos podem ser prejudiciais.
- Guarde os compressores de ar não utilizados fora do alcance de crianças e de outras pessoas que não tenham recebido formação. Os compressores de ar são perigosos nas mãos de utilizadores que não tenham recebido formação.
- Proceda à manutenção cuidada dos compressores de ar. Siga as instruções de manutenção. As ferramentas que receberam uma manutenção adequado são mais fáceis de controlar.





EN
FR
DE
ES
IT
NL
PT
DA
SV
FI
NO
RU
PL
CS
HU
RO
LV
LT
ET
HR
SL
SK
BG
UK
TR
EL

- Verifique se as peças móveis estão bem alinhadas ou presas, se há peças partidas e quaisquer outras situações que possam afectar o funcionamento da ferramenta. Se estiver danificada, leve a ferramenta ao serviço técnico autorizado antes de a usar. Muitos acidentes são causados por ferramentas que não receberam manutenção adequada.
- Mantenha o exterior do produto seco, limpo e livre de quaisquer vestígios de óleo e massa lubrificante. Utilize sempre roupa limpa quando estiver a limpar. Nunca utilize fluidos de travões, gasolina, produtos à base de petróleo ou quaisquer solventes fortes para limpar a unidade. O respeito por esta norma reduzirá o risco de deterioração do revestimento plástico.

ASSISTÊNCIA

- Ao realizar serviços de manutenção, use apenas peças de substituição idênticas. O uso de quaisquer outras peças pode criar perigo ou causar danos ao aparelho.

Guarde estas instruções. Consulte as instruções de forma frequente e utilize-as para instruir outros utilizadores. Se emprestar esta ferramenta, assegure-se de que o novo utilizador recebe também estas instruções.

AVISOS DE SEGURANÇA DO COMPRESSOR DE AR

- Conheça o seu produto. Leia com atenção o manual de utilização. Conheça as aplicações e limitações da máquina, para além dos potenciais danos relacionados com esta. Reduz assim os riscos de choque eléctrico, de incêndio ou de ferimentos graves.
- Drene o depósito do ar de qualquer humidade após cada utilização diária. Se não utilizar o produto durante algum tempo, aconselhamos a deixar a válvula de drenagem aberta até à próxima utilização. Desta forma, permite que a humidade drene por completo e ajuda a evitar a formação de corrosão no interior do depósito do ar.
- Risco de incêndio ou de explosão. Não pulverize líquidos inflamáveis numa área confinada. A área onde se vai pulverizar deve estar bem ventilada. Não fume ao mesmo tempo que pulveriza nem pulverize em locais onde há presença de fiação ou chama. Mantenha o produto a uma distância mínima de 10 m (33 pés) da área de pulverização e de todos os vapores explosivos.
- Risco de explosão. Não ajuste o regulador para obter uma pressão superior à pressão máxima assinalada do acessório. Não utilize uma pressão superior a 8,3 bar.
- Para reduzir o risco de choque eléctrico, não exponha o produto à chuva. Guarde o produto em espaços interiores.
- Inspeccione o depósito do ar anualmente para identificar sinais de ferrugem, furos ou outras imperfeições que possam afetar a segurança do produto.
- Nunca solde ou perfure o depósito de ar.
- Assegure-se de que a mangueira está livre de obstruções. As mangueiras enroladas ou emaranhadas pode provocar a perda de equilíbrio e pode ficar danificado.
- Utilize o produto apenas para a sua utilização prevista.

Não altere nem modifique a concepção ou a função da unidade face ao original.

- Tenha sempre presente que uma má utilização e um manuseamento inadequado desta ferramenta pode provocar lesões em si próprio e em outros.
- Nunca deixe o produto sem supervisão com o tubo do ar ligado a uma ferramenta.
- Nunca aponte qualquer ferramenta pneumática para si ou para terceiros.
- Não opere esta ferramenta se a mesma não exibir um aviso legível.
- Não continue a utilização do produto ou de um tubo flexível que apresente fugas de ar ou que não funcione corretamente.
- Desligue sempre o fornecimento de ar e retire a bateria antes de realizar quaisquer ajustes, manutenção ou quando o produto não se encontrar em utilização.
- Não tente puxar ou transportar o produto pela mangueira.
- A sua ferramenta poderá necessitar de mais consumo de ar do que o produto é capaz de fornecer.
- Siga sempre todas as regras de segurança recomendadas pelo fabricante da sua ferramenta pneumática, além de todas as regras de segurança para o compressor de ar. O respeito por esta norma reduzirá o risco de lesões graves.
- Nunca dirija um jacto de ar comprimido para pessoas ou animais. Tenha cuidado de não dirigir o fluxo de ar com pó e sujidade para si próprio ou para outrem. O respeito por esta norma reduzirá o risco de lesões graves.
- Não utilize o produto para pulverizar substâncias químicas. Os pulmões podem danificar-se pela inalação de fumos tóxicos. Em ambientes com pó ou ao pulverizar tinta poderá ser necessário usar um respirador. Não transporte enquanto pinta.
- Inspeccione os cabos e as mangueiras da ferramenta periodicamente e, se estiverem danificados, leve-os a reparar no centro de assistência autorizada da sua localidade. Deve saber sempre onde se encontra o cabo. Reduz assim os riscos de choque eléctrico.
- Verifique se as peças móveis estão bem alinhadas ou presas, se há peças partidas e quaisquer outras situações que possam afectar o funcionamento da ferramenta. Se estiver danificada, leve a ferramenta ao serviço técnico autorizado antes de a usar. Muitos acidentes são causados por ferramentas que não receberam manutenção adequada.
- Quando for necessário retirar os resguardos fixos para a execução de tarefas de manutenção periódica ou reparações, os respetivos sistemas de fixação devem permanecer afixados nos resguardos ou na maquinaria aquando da remoção.
- Nunca guarde uma ferramenta com um tubo de ar ligado. Guardar a ferramenta enquanto estiver ligada a uma fonte de ar pode resultar num funcionamento, disparo ou movimento inesperado e possíveis ferimentos pessoais graves.
- Proteja os seus pulmões. Use uma protecção facial ou uma máscara anti-poeiras se o trabalho provocar



poeiras. O respeito por esta norma reduzirá o risco de lesões graves.

- Guarde estas instruções. Consulte as instruções de forma frequente e utilize-as para instruir outras pessoas que possam utilizar este produto. Se emprestar esta ferramenta, assegure-se de que o novo utilizador recebe também estas instruções.
- Utilize a ferramenta em frente ao painel de controlo.
- Quando a máquina está em funcionamento, muitas peças podem fazer que esta adquira uma temperatura alta. Use o equipamento necessário de protecção pessoal, como luvas, para evitar lesões derivadas de uma temperatura alta.
- O produto não se destina a ser utilizado por pessoas (incluindo crianças) que tenham capacidades reduzidas a nível físico, sensorial ou mental, ou que sejam inexperientes ou desconhecedoras. Crianças devem ser mantidas sob supervisão para garantir que não brincam com o produto.

ALERTAS DE SEGURANÇA DA BATERIA E DO CARREGADOR

⚠ AVISO

Para evitar o risco de incêndio, de feridas ou de danificação do produto causado por um curto-circuito, não imerja a bateria intercambiável ou o carregador em líquidos e assegure-se de que líquidos não penetrem nos aparelhos ou nas baterias. Líquidos corrosivos ou condutivos como água salgada, determinadas substâncias químicas ou produtos que contenham branqueadores podem causar um curto-circuito.

- **Recarregue apenas com o carregador especificado pelo fabricante.** Um carregador que seja adequado para um tipo de bateria pode causar risco de incêndio, quando utilizado com outra bateria.
- **Brug kun elværktøj med de specielt beregnede batteripakker.** A utilização de quaisquer outros conjuntos de baterias pode causar risco de ferimentos ou de incêndio.
- **Quando a bateria não estiver a ser utilizada, mantenha-a afastada de outros objetos metálicos como cliques de papel, moedas, chaves, pregos, parafusos, ou outros pequenos objetos metálicos que podem fazer a ligação de um terminal para outro.** Sammenføjning af batteriklemmer kan forårsage forbrændinger eller brand.
- **Sob condições de utilização incorrecta, existe o risco de derrame de líquido de baterias – evite o contacto. Em caso de contacto accidental, lave com água. Se o líquido entrar em contacto com os olhos, procure também ajuda médica imediatamente.** O líquido derramado da bateria pode causar irritação da pele ou queimaduras.
- **Os produtos com bateria não têm que estar ligadas a uma tomada eléctrica, por conseguinte, estarão sempre em estado de funcionamento. Esteja ciente dos possíveis perigos ao utilizar o seu aparelho com bateria ou ao mudar os acessórios.** Reduz assim os riscos de choque eléctrico, de incêndio ou de ferimentos graves.
- **Não coloque aparelhos com bateria ou as respectivas baterias perto de fogo ou fontes de calor.** Esta operação irá reduzir o risco de explosão e possíveis lesões.
- **Não esmague, nem deixe cair ou estragar a bateria. Não utilize a bateria ou o carregador que tenha caído ou recebido um forte golpe.** Uma bateria danificada está sujeita a explosão. Destrua devidamente uma bateria que caiu ou foi danificada de imediato.
- **As baterias podem explodir na presença de uma fonte de ignição, como uma chama piloto.** De forma a reduzir o risco de lesões graves pessoais, nunca utilize qualquer aparelho com bateria na presença de uma chama acesa. Uma bateria que tenha explodido pode libertar detritos e químicos. Em caso de exposição, lave imediatamente com água.
- **Não carregue o produto com bateria num local húmido ou molhado.** Reduz assim os riscos de choque eléctrico.
- **Para obter os melhores resultados possíveis, o seu produto alimentado a baterias deve ser carregado em locais onde a temperatura seja superior a 10 °C mas inferior a 38 °C. Para reduzir o risco de ferimentos pessoais graves, não armazene no exterior nem dentro de veículos.**
- **Sob condições de muita utilização ou temperaturas extremas, pode ocorrer fuga de bateria. Caso algum líquido entre em contacto com a sua pele, lave imediatamente com água e sabão. Se o líquido entrar em contacto com os seus olhos, lave-os com água limpa durante pelo menos 10 minutos e depois procure ajuda médica de imediato.** O respeito por esta norma reduzirá o risco de lesões graves.
- **Não use um conjunto de baterias que tenha sofrido danos ou modificações.** Baterias danificadas ou modificadas podem ter um comportamento imprevisível, resultando em incêndio, explosão ou risco de ferimentos.
- **Não modifique nem tente reparar uma bateria que tenha sido danificada.**
- **Não exponha um conjunto de baterias nem uma ferramenta ao fogo ou a temperaturas excessivas.** A exposição ao fogo ou a temperaturas acima de 130°C pode causar uma explosão.
- **Siga todas as instruções de carregamento e não dê carga ao conjunto de baterias nem à ferramenta fora da amplitude de temperaturas especificada nas instruções.** O carregamento feito de forma incorrecta ou sob temperaturas fora da amplitude especificada pode danificar a bateria e aumentar o risco de incêndio.

TRANSPORTE DE BATERIAS DE LÍTIU

Transporte a bateria em conformidade com as disposições e os regulamentos locais e nacionais.

Respeite os requisitos especiais que existam na embalagem e a etiquetagem durante o transporte de baterias por terceiros. Assegure-se que não há risco de uma bateria entrar em contacto com outra bateria nem com materiais condutores durante o transporte, protegendo os conectores expostos com tampas ou fita isoladoras e não condutoras. Não transporte baterias com fissuras ou fugas.



EN
FR
DE
ES
IT
NL
PT
DA
SV
FI
NO
RU
PL
CS
HU
RO
LV
LT
ET
HR
SL
SK
BG
UK
TR
EL

Contacte a empresa transitária para mais aconselhamento.

BATERIAS

Conjuntos de baterias que tenham estado algum tempo sem serem utilizados devem ser recarregados antes de serem utilizados.

Temperaturas acima de 50 °C (122 °F) reduzem o desempenho do conjunto de baterias. Evite a exposição prolongada ao calor ou à luz solar direta (risco de sobreaquecimento).

Os contactos dos carregadores e unidades de bateria devem ser mantidos limpos.

Para assegurar a máxima vida útil, os conjuntos de baterias têm obrigatoriamente de ser totalmente carregados depois de serem utilizados.

Para obter a máxima vida útil da bateria, desmonte o conjunto de baterias do carregador quando estiver totalmente carregado.

Para um armazenamento da bateria superior a 30 dias:

- Armazene a bateria num local em que a temperatura seja inferior a 27 °C e afastada da humidade.
- Guarde as baterias num estado de carregamento de 30%-50%.
- A cada seis meses de armazenamento, carregue a bateria normalmente.

PROTEÇÃO DA BATERIA

A bateria tem uma proteção de sobrecarga que a protege e ajuda a garantir uma vida útil prolongada. Em condições de tensão extrema, os componentes eletrónicos da bateria desligam o produto automaticamente. Para reiniciar, desligue o produto e ligue-o novamente. Se o produto não ligar novamente, a bateria poderá estar completamente descarregada. Neste caso, deve recarregá-la no carregador da bateria.

RISCOS RESIDUAIS

Mesmo quando se utiliza o produto segundo as instruções, continua a ser impossível eliminar por completo certos fatores de risco residuais. Podem surgir os seguintes riscos durante o uso e o operador deve prestar especial atenção para evitar o seguinte:

- Utilize o produto apenas para a sua utilização prevista. Não altere nem modifique a concepção ou a função da unidade face ao original.
- Tenha sempre presente que uma má utilização e um manuseamento inadequado desta ferramenta pode provocar lesões em si próprio e em outros.
- Nunca deixe o produto sem supervisão com o tubo do ar ligado a uma ferramenta.
- Não continue a utilização do produto ou de um tubo flexível que apresente fugas de ar ou que não funcione corretamente.
- Risco de explosão

- Não ajuste o regulador para obter uma pressão superior à pressão máxima assinalada do acessório.

- Durante o funcionamento do motor e do cilindro, é gerado calor e altas temperaturas. Tocar em componentes metálicos expostos pode resultar em queimaduras graves.

- Mantenha sempre o compressor afastado das zonas de trabalho.

- Lesões provocadas pelo ruído

- Use proteção para os ouvidos.

- O gás do compressor de ar pode projetar sujidade, lascas, partículas soltas e pequenos objetos a alta velocidade. Isto poderá resultar na projeção de objetos na direção dos olhos ou noutros possíveis ferimentos.

- Use sempre equipamento de proteção individual adequado durante a utilização de diferentes ferramentas.

CONHEÇA O SEU PRODUTO

Consulte a página 195.

1. Suportes do tubo
2. Engate de ligação rápida
3. Engate de PCL macho de fluxo elevado, 1/4" BSP
4. Manómetro do depósito
5. Botão do regulador de pressão
6. Manómetro regulador
7. Pega de transporte
8. Válvula de segurança
9. Interruptor desligado/ligado
10. Bateria
11. Válvula de drenagem
12. Botão Reiniciar

RETIRADA DA EMBALAGEM

Inspeccione a ferramenta cuidadosamente para se certificar que não ocorrem quebras ou danos durante a expedição.

Não elimine o material de embalagem até ter inspeccionado cuidadosamente e operado de forma satisfatória a ferramenta.

⚠ AVISO

Se estiverem em falta peças ou apresentarem danos, não coloque o produto em funcionamento até as peças serem substituídas. A utilização deste produto com peças danificadas ou em falta pode resultar em graves danos pessoais.

⚠ AVISO

Não tente modificar esta ferramenta ou criar acessórios não recomendados para utilizar com esta ferramenta. Quaisquer destas alterações ou modificações representam um uso indevido e pode resultar em condições perigosas ocasionando eventuais ferimentos graves pessoais.



⚠ AVISO

Para evitar o arranque accidental, que pode provocar ferimentos pessoais graves, retire sempre a unidade da bateria do produto durante a montagem de peças.

OPERAÇÃO

PREPARAÇÃO

Ligar/desligar um tubo de ar

Consulte a página 196.

NOTA: Para o funcionamento com pressões acima de 7 bar (102 psi), deve ser instalados tubos de distribuição com um cabo de segurança, por exemplo, corda de cabo.

1. Certifique-se de que o interruptor geral se encontra na posição DESLIGADO (O) e de que a unidade da bateria está desligada.
2. Puxe o botão regulador da pressão para fora para ativar o ajuste. Rode o botão regulador da pressão totalmente para a esquerda.
3. Confirme se a tomada de pressão está em zero bar.
4. Ligue um tubo de ar com um conector para o engate de ligação rápida de 6,35 mm (1/4 pol.) no compressor de ar. Certifique-se de que empurra o conector completamente no engate até que a manga no engate salte para a frente para fixar o conector na posição.

Para desligar um tubo de ar ou uma ferramenta pneumática:

1. Puxe o botão regulador da pressão para fora para ativar o ajuste. Rode o botão regulador da pressão totalmente para a esquerda.
2. Confirme se a tomada de pressão está em zero bar.
3. Puxe para trás da mangueira do acoplador rápido de 6.35 mm. Com uma pressão firme, puxe o conector do tubo que está ligado ao engate rápido para fora.

Ligar/retirar uma unidade de bateria

1. Certifique-se de que o interruptor geral se encontra na posição DESLIGADO (O).
2. Introduza uma unidade de bateria na porta da bateria.
3. Certifique-se que as linguetas em cada lado do compartimento da bateria deslizam correctamente e que a bateria se encontra firme no aparelho antes de começar a operação.
4. Solte as linguetas para retirar a bateria.
5. Para obter as instruções de carregamento completas, consulte o manual do utilizador da sua bateria e carregador.

UTILIZAR O COMPRESSOR DE AR

⚠ PERIGO

Não desmonte as válvulas de drenagem do depósito ou a válvula de segurança se existir ar no respetivo depósito. Liberte o ar do depósito de ar. A não descompressão do depósito de ar poderá resultar em explosão e/ou ferimentos pessoais graves.

⚠ AVISO

Use sempre protecção para os olhos com escudos laterais. A falta de cumprimento desta instrução pode ocasionar a projecção de corpos estranhos para os olhos e provocar lesões oculares graves.

⚠ AVISO

Não utilize peças nem acessórios diferentes dos recomendados pelo fabricante para esta ferramenta. A utilização de peças ou acessórios não recomendados pode ocasionar riscos de ferimentos graves.

⚠ AVISO

Não coloque qualquer ferramenta na extremidade aberta da mangueira até o arranque ter sido completado.

⚠ AVISO

Retire sempre a bateria da sua ferramenta quando estiver a colocar peças, a efectuar ajustes, limpar ou quando não estiver a ser utilizado. A remoção da bateria evitará o funcionamento accidental da ferramenta que poderá provocar ferimentos graves.

⚠ AVISO

Não utilize num ambiente com pó ou contaminado de outro modo. Utilizar o compressor de ar neste tipo de ambiente pode causar danos no produto.

Ajustar a pressão do ar

Consulte a página 197.

1. Certifique-se de que o interruptor geral se encontra na posição DESLIGADO (O) e de que a unidade da bateria é removida.
2. Ligue a unidade da bateria ao produto.
3. Coloque o interruptor geral na posição LIGADO (I).
4. Puxe o botão regulador da pressão para fora para ativar o ajuste.
5. Rode o botão regulador de pressão para a pressão pretendida. Ao girar o botão em sentido horário aumenta-se a pressão do ar à saída. Girando para a esquerda reduz-se a pressão de ar à saída. Empurre o botão regulador de pressão para dentro para desativar o ajuste.
6. Seguindo todas as precauções de segurança descritas neste manual e nas instruções do fabricante da ferramenta pneumática, pode agora utilizar a sua ferramenta pneumática.

⚠ AVISO

As ferramentas pneumáticas poderão exigir um consumo de ar superior à capacidade fornecida por este compressor. Verifique a ferramenta manualmente para evitar danos na ferramenta ou o risco de lesões físicas.



- Controle o nível do fluxo de ar com o botão do regulador de pressão. Rodar o botão totalmente para a esquerda para o fluxo do ar por completo.

NOTA: Use sempre o nível mínimo de pressão necessário para a sua ferramenta. A utilização de uma pressão superior é necessária irá drenar o ar do tanque mais rapidamente e fará com que a unidade repita o ciclo com maior frequência.

- Para desligar o compressor de ar, coloque o interruptor geral na posição DESLIGADO (O).

NOTA: Quando o compressor estiver na posição LIGADO (I), a pressurização inicia-se automaticamente quando a pressão no depósito de ar cair abaixo do limite de pressão predefinido. Desativa-se novamente quando a pressão pretendida for alcançada.

⚠ AVISO

Nunca exceda a pressão nominal da ferramenta pneumática, tal como recomendada pelo fabricante. Ao utilizar este compressor de ar como dispositivo de insuflação, siga sempre as orientações de insuflação máxima tal como determinadas pelo fabricante do produto a insuflar.

⚠ AVISO

Certifique-se sempre de que o interruptor geral se encontra na posição DESLIGADO (O) e de que o medidor de pressão do regulador indica zero antes de mudar de ferramenta pneumática ou desligar o tubo de ar da saída de ar. A não depressurização do tanque pode provocar uma explosão e/ou lesões físicas graves.

- Depois de terminar, drene sempre o depósito e retire a unidade da bateria. Nunca deixe o produto em funcionamento ou ligado à unidade da bateria.

DRENAR O DEPÓSITO DE AR

Consulte a página 198.

Para evitar a formação de corrosão no depósito e a manter a humidade afastada do depósito do ar, deve drenar o depósito de ar do compressor diariamente.

Para drenar o depósito do ar:

- Certifique-se de que o interruptor geral se encontra na posição DESLIGADO (O).
- Retire a bateria.
- Puxe o anel na válvula de decompressão até o medidor indicar uma leitura inferior a 1,4 bar (20 PSI).
- Solte o anel.
- Rode a alavanca da válvula de drenagem para a esquerda para drenar a humidade.

NOTA: O condensado é um material poluente e deve ser eliminado em conformidade com os regulamentos locais.

- Rode a alavanca de drenagem para a direita para fechar a válvula de drenagem.

BOTÃO REINICIAR

Quando a corrente no motor do compressor de ar exceder o valor especificado, o compressor de ar desliga-se automaticamente.

Para reiniciar o compressor de ar:

- Retire a bateria.
- Desligue a ferramenta.
- Aguarde três minutos para que o motor arrefeça.
- Prima o botão reset.
- Ligue a unidade da bateria ao produto.
- Ligue o aparelho.

MUDAR UM ENGATE

Consulte a página 199.

- Certifique-se de que o interruptor geral se encontra na posição DESLIGADO (O).
- Retire a bateria.
- Puxe o anel na válvula de decompressão até o medidor indicar uma leitura inferior a 1,4 bar (20 PSI).
- Solte o anel.
- Utilizando uma chave de bocas, desaperte e retire o engate, rodando para a esquerda.
- Utilizando uma chave de bocas, instale um novo engate e aperte rodando na direção para a direita.

TRANSPORTE E ARMAZENAMENTO

Consulte a página 200 - 201.

- Certifique-se de que o interruptor geral se encontra na posição DESLIGADO (O).
- Retire a bateria.
- Opere a ferramenta pneumática para aliviar a pressão do ar no tubo e, em seguida, retire o tubo do ar e a ferramenta pneumática. Liberte o ar, puxando a válvula de decompressão.
- Drene a água do depósito de acordo com as instruções descritas na secção "Drenar o depósito do ar".
- Limpe o produto com um pano seco.
- Enrole o tubo do ar em torno dos suportes para o tubo.
- Transporte o produto pela pega de transporte.
- Guarde o compressor de ar na sua posição de funcionamento normal numa área seca e protegida.

⚠ AVISO

Quando o compressor está em funcionamento, ocorre a condensação de água no depósito de ar do compressor. A água presente no depósito pode provocar o enfraquecimento e a corrosão do depósito, aumentando o risco de rotura do depósito.

⚠ AVISO

Desligue sempre o tubo do ar das ferramentas sempre que não estejam a ser utilizadas ou durante tarefas de assistência. Durante a manutenção, uma ferramenta ligada ao tubo de ar pode iniciar o funcionamento acidentalmente, provocando ferimentos pessoais graves!

⚠ AVISO

Não retirar a unidade da bateria do compressor de ar antes de armazená-lo pode resultar no funcionamento contínuo do compressor e, possivelmente, em incêndios.



MANUTENÇÃO

MANUTENÇÃO GERAL

- Evite usar solventes ao limpar as peças de plástico. A maioria dos plásticos são susceptíveis a danos de vários tipos de solvente comerciais e podem ser danificados pela sua utilização. Use panos limpos para remover a sujidade, a poeira, o óleo, a gordura, etc.
- Nunca, em qualquer momento, deixe que fluidos de travagem, gasolina, produtos petrolíferos, óleos de perfuração, etc., entrem em contacto com as peças de plástico. Estes produtos químicos contêm substâncias que podem danificar, deteriorar ou destruir o plástico, o que poderia provocar ferimentos graves.
- Liberte sempre toda a pressão, retire a unidade da bateria e permita que o produto arrefeça ao toque antes de limpar ou realizar reparações no produto.
- Não modifique o produto de nenhum modo nem utilize acessórios não aprovados pelo fabricante. A sua segurança e a dos demais pode ver-se ameaçada.
- Não utilize o produto se algum dos interruptores, proteções ou outras funções não funcionam conforme o previsto. Dirija-se a um centro de serviço autorizado para ajustes ou reparações profissionais.
- Antes de fazer afinações ou lubrificação, ou quando fizer qualquer manutenção ao produto, certifique-se sempre de que o conjunto das baterias foi desmontado do produto.
- Antes e depois de cada uso, verifique se há danos ou partes partidas no produto. Mantenha o produto nas melhores condições de trabalho substituindo de imediato as peças por peças sobresselentes aprovadas pelo fabricante.

⚠ AVISO

Para uma maior segurança e fiabilidade, todas as reparações devem ser realizadas por um centro de assistência autorizado.

PROTECÇÃO DO AMBIENTE



Recicle os materiais em vez de pô-los directamente no lixo doméstico. Para proteger o ambiente, a ferramenta, os acessórios e as embalagens devem ser seleccionados.

SÍMBOLOS NO PRODUTO



Alerta de segurança



Agradecemos que leia atentamente as instruções antes de iniciar a máquina.



Conformidade CE



Marca de conformidade EurAsian



Marca de conformidade ucraniana



Usar sempre óculos de protecção ao trabalhar com a máquina.



Sempre use a protecção dos ouvidos.



Uso no interior



Alerta de condição molhada. Não exponha à chuva. Guarde em espaços interiores.



Risco para a respiração. O ar obtido directamente do compressor de ar nunca deve ser utilizado para fornecer ar para consumo humano.



Risco de explosão. Não ajuste o regulador para obter uma pressão superior à pressão máxima assinalada do acessório. Não utilize uma pressão superior a 10 bar.



Este compressor poderá iniciar o funcionamento sem aviso.



Risco de incêndio ou de explosão. A área onde se vai pulverizar deve estar bem ventilada. Não fume ao mesmo tempo que pulveriza nem pulverize em locais onde há presença de faísca ou chama. Mantenha os compressores tão longe da zona de pulverização quanto possível. Mantenha o compressor, pelo menos a 10 m de distância da área de trabalho e todos os vapores explosivos.



Pressão regulada



Pressão do depósito



Os aparelhos eléctricos antigos não devem ser eliminados juntamente com o lixo doméstico. Recicle onde existem instalações para o efeito. Verifique com as suas Autoridades Locais ou revendedor para obter informações sobre reciclagem.

SÍMBOLOS NESTE MANUAL



As peças ou acessórios vendem-se separadamente



Nota



Aviso

As seguintes palavras de sinal e significados destinam-se a explicar os níveis de risco associados a este produto.

 **PERIGO**

Indica uma situação de perigo iminente, a qual, se não for evitada, pode resultar em morte ou ferimentos graves.

 **AVISO**

Indica uma situação potencialmente perigosa que, se não for evitada, pode resultar em morte ou ferimentos graves.

 **CAUTELA**

Indica uma situação potencialmente perigosa que, se não for evitada, pode resultar em ferimentos leves ou moderados.

CAUTELA

(Sem símbolo de segurança) Indica uma situação que pode provocar danos materiais.



Sikkerhed, ydelse og driftssikkerhed har fået topprioritet i designet af din luftkompressor.

TILTÆNKT ANVENDELSESFORMÅL

Luftkompressoren er kun designet til at levere trykluft. Den må ikke bruges til at komprimere nogen anden gasart.

Produktet er designet til at betjene luftdrevne værktøjer og oppuste højtryksenstande såsom bildæk og cykeldæk.

Produktet er kun beregnet til at blive brugt af voksne, som har læst og forstået instruktionerne og advarslerne i denne vejledning, og som kan betragtes som værende ansvarlige for deres handlinger.

Produktet må kun betjenes indendørs.

Produktet må kun bruges til de formål, der er angivet under formålsbestemt/korrekt brug. Brug af elværktøjet i strid med det tiltænkte anvendelsesformål kan medføre farlige situationer.

GENERELLE SIKKERHEDSADVARSLER

⚠ ADVARSEL

Alle sikkerhedsadvarsler og alle anvisninger skal læses. Hvis advarslen og instruktionerne ikke følges, kan det medføre elektrisk stød og/eller alvorlig personskade.

Gem alle advarsler og brugsanvisninger til senere brug.

⚠ ADVARSEL

Ved brug af elværktøjer bør man altid følge de grundlæggende sikkerhedsregler for at reducere risikoen for brand, elektrisk stød og personskade. Læs hele brugsanvisningen, inden du forsøger at betjene dette produkt - og gem brugsanvisningen.

SIKKERHED I ARBEJDSOMRÅDET

- Hold arbejdsområdet rent og ryddeligt. Rodede områder og borde inviterer til uheld. Læg ikke værktøj eller træstykker på værktøjet, mens den kører.
- Produktet må ikke bruges i farlige omgivelser. Elværktøjer må ikke bruges i fugtige eller våde omgivelser eller udsættes for regn. Arbejdsområdet skal være godt oplyst.
- Hold børn og tilskuere på afstand. Alle tilskuere bør bære sikkerhedsbriller og holde sig på sikker afstand af arbejdsområdet. Lad ikke besøgende komme i kontakt med produktet under drift.
- Må aldrig bruges i eksplosiv atmosfære. Normale motorgnister kan antænde dampe.

ELEKTRISK SIKKERHED

- Hvis en elektrisk komponent i produktet ikke fungerer korrekt, skal du slukke for strømkontakten, tage batteriet ud af produktet og udskifte denne, inden du genoptager driften.

- Undlad at udsætte elværktøjer for regn eller fugt. Hvis der trænger vand ind i et elværktøj, øges faren for elektrisk stød.

PERSONLIG SIKKERHED

- Vær opmærksom og i kontrol. Hold øje med, hvad du gør, og brug sund fornuft. Man må ikke betjene værktøjet, hvis man er træt. Undlad at forhaste dig.
- Vær ordentligt klædt på. Undlad at bære løstsiddende tøj, halskæder eller smykker, som kan hænge fast i og trække dig ind i bevægelige dele. Gummihandsker og skridsikert fodtøj anbefales til arbejde udendørs. Brug beskyttende håret eller lign. til sikring af langt hår.
- Brug altid sikkerhedsbriller med sideskjolde. Glas i almindelige briller er kun stødresistente; de er IKKE sikkerhedsbriller.
- Beskyt dine lunger. Brug ansigtsskærm eller støvmaske, hvis der dannes støv under arbejdet.
- Beskyt din hørelse. Bær høreværn ved længere tids brug.
- Læn dig aldrig for langt frem. Sørg for altid at have godt fodfæste og god balance.
- Fjern svensknøgler og faste nøgler. Gør det til en vane at kontrollere, at faste nøgler og svensknøgler er fjernet fra værktøjet, inden der tændes for det.

BRUG OG VEDLIGEHOLDELSE AF LUFTKOMPRESSOREN

- Undlad at overskride tryknormeringen for nogen af komponenterne i systemet.
- Beskyt materialeledninger og luftledninger mod skader eller punktering. Hold slangen væk fra skarpe genstande, kemiske udslip, olie, opløsningsmidler og våde gulve.
- Inden hver brug kontrollerer man, at slangerne hverken er svage eller slidte - og at alle tilslutninger er sikre. Må ikke bruges, hvis der konstateres fejl. Køb en ny slange, eller indlevér produktet på et autoriseret servicecenter til undersøgelse eller reparation.
- Frigiv langsomt alt tryk i systemet. Støv og affald kan være skadeligt.
- Når kompressorerne ikke anvendes, skal de opbevares uden for rækkevidde af børn og utrænede personer. Luftkompressore er farlige i hænderne på utrænede personer.
- Vedligehold luftkompressorer omhyggeligt. Følg vedligeholdelsesanvisningerne. Korrekt vedligeholdte værktøjer er nemmere at styre.
- Kontrollér, om der er forkert indjusterede eller forbundne bevægelige dele, afbrækkede dele samt andre tilstande, som kan påvirke værktøjets funktionsmåde. Hvis der konstateres skader, skal værktøjet repareres inden brug. Mange ulykker skyldes dårligt vedligeholdte værktøjer.
- Hold ydersiden af produktet tør, ren og fri for olie og fedt. Brug altid en ren klud til rengøring. Brug aldrig bremsevæske, benzin, petroleumsbaserede produkter eller kraftige opløsningsmidler til rengøring af produktet. Lagttagelse af denne regel vil reducere faren for, at indkapslingsplasten nedbrydes.





EN
FR
DE
ES
IT
NL
PT
DA
SV
FI
NO
RU
PL
CS
RO
HU
LV
LT
ET
HR
SL
SK
BG
UK
TR
EL

SERVICE

- I forbindelse med servicearbejde må der kun bruges originale reservedele. Brug af alternative dele kan forårsage farlige situationer eller ødelægge produktet.

Gem denne brugsanvisning. Slå hyppigt op i den, og brug den til at instruere andre. Hvis man låner dette værktøj ud, skal brugsanvisningen følges med.

SIKKERHEDSADVARSLER FOR LUFTKOMPRESSOREN

- Kend produktet. Læs brugervejledningen omhyggeligt. Bliv fortløbig med maskinens anvendelsesområder og begrænsninger samt de specifikke potentielle faremomenter i forbindelse med dette produkt. Derved formindskes risikoen for elektrisk stød, brand og alvorlige personskader.
- Tøm lufttanken for fugt efter hver dags brug. Hvis produktet ikke skal bruges i et stykke tid, er det bedst at lade afløbsventilen stå åben indtil næste brug. Dette vil tillade al fugt at løbe ud og forhindre korrosion på indersiden af lufttanken.
- Risiko for brand eller eksplosion. Undgå at sprøjte med brændbare væsker i et indelukket område. Sprøjteområdet skal være godt ventileret. Undlad at ryge under sprøjtning eller at sprøjte i nærheden af gløder eller ild. Hold produktet mindst 10 m (33 fod) fra sprøjteområdet og alle eksplosive dampe.
- Risiko for sprængning. Juster ikke regulatoren til et udgangstryk, der er større end det markerede maksimale tryk for det påsatte redskab. Brug ikke ved et tryk på mere end 8,3 bar.
- Udsæt ikke produktet for regn for at undgå risiko for elektrisk stød. Opbevar maskinen indendørs.
- Undersøg lufttanken årligt for revner, splithuller og andre defekter, der kan forårsage, at den bliver usikker at bruge.
- Der må aldrig svejdes på eller bores huller i lufttanken.
- Sørg for, at slangen er fri af forhindringer eller fremspring. Sammenfildrede eller rodede slanger kan forårsage tab af balance eller fodfæste og blive beskadiget.
- Brug kun produktet til det tilsigtede formål. Undlad at ændre eller modificere enheden i forhold til det oprindelige design eller funktion.
- Vær altid opmærksom på, at misbrug eller ukorrekt håndtering af dette værktøj kan forårsage skader på dig selv og andre.
- Lad aldrig produktet være uden opsyn med slangen fastgjort til et værktøj.
- Peg aldrig et luftværktøj mod dig selv eller andre.
- Brug ikke dette værktøj, hvis det ikke er forsynet med en læsbar advarselmærkat.
- Fortsæt ikke med at bruge produktet eller slangen, hvis der siver luft ud, eller produktet ikke fungerer korrekt.

- Frakobl altid lufttilførslen og fjern batteripakken, inden der foretages justeringer, servicering af produktet, eller når produktet ikke er i brug.
- Undlad at trække eller bære produktet i slangen.
- Dit værktøj kan kræve luftforbrug end produktet er i stand til at levere.
- Følg altid alle sikkerhedsregler anbefalet af producenten af dit luftdrevne redskab, ud over alle sikkerhedsregler for luftkompressoren. Overholdes denne regel, reduceres faren for alvorlige personskader.
- Ret aldrig en trykluftstrøm mod mennesker eller dyr. Pas på ikke at blæse støv og snavs mod dig selv eller andre. Overholdes denne regel, reduceres faren for alvorlige personskader.
- Brug ikke produktet til sprøjtning med kemikalier. Dine lunger kan blive ødelagt ved at indånde giftige dampe. Åndedrætsværn kan være nødvendigt i støvede omgivelser eller ved påsprøjtning af maling. Må ikke bæres under malerarbejde.
- Værktøjsledninger og -slanger skal inspiceres regelmæssigt og, hvis beskadiget, repareres på nærmeste autoriserede servicecenter. Vær altid opmærksom på, hvor ledningen befinder sig. Så er der mindre fare for elektrisk stød.
- Kontrollér, om der er forkeret indjusterede eller forbundne bevægelige dele, afbrækkede dele samt andre tilstande, som kan påvirke værktøjets funktionsmåde. Hvis der konstateres skader, skal værktøjet repareres inden brug. Mange ulykker skyldes dårligt vedligeholdte værktøjer.
- Når fast afskærmning skal fjernes ved regelmæssig vedligeholdelse eller reparation, forbliver deres fastgørelsesanordninger fastsat på afskærmningen eller maskinen, når afskærmningen fjernes.
- Opbevar aldrig et værktøj med en tilsluttet luftslange. Opbevaring af værktøjet, mens det er tilsluttet en luftforsyning kan resultere i uventet drift, fyring eller bevægelse og mulig alvorlig personskade.
- Beskyt dine lunger. Brug ansigtsskærm eller støvmaske, hvis der dannes støv under arbejdet. Overholdes denne regel, reduceres faren for alvorlige personskader.
- Gem denne brugsanvisning. Slå hyppigt op i den, og brug den til at instruere andre, som evt. skal benytte dette produkt. Hvis man låner dette værktøj ud, skal brugsanvisningen følges med.
- Betjen maskinen foran betjeningspanelet.
- Når maskinen kører, kan mange af dens dele udvikle en høj temperatur. Brug nødvendige personlige værnemidler som fx handsker for at undgå skader pga. høj temperatur.
- Produktet er ikke beregnet til brug af personer (herunder børn) med begrænsede fysiske, sensoriske eller psykiske evner eller manglende erfaring og viden. Børn skal være under opsyn for at sikre, at de ikke leger med produktet.



SIKKERHEDSADVARSLER VEDR. BATTERI OG OPLADER

⚠ ADVARSEL

For at undgå risiko for brand, kvæstelser eller beskadigelse af produktet forårsaget af kortslutning må værktøjet, batteripakken eller opladeren ikke nedsænkes i vand. Sørg ligeledes for, at der ikke trænger væske ind i enhederne og batterierne. Korroderende eller ledende væsker, f.eks. saltvand, bestemte kemikalier, blegestoffer eller produkter, som indeholder blegestoffer, kan forårsage kortslutning.

- **Brug kun producentens angivne oplader til genopladning.** En oplader, der kan bruges til én type batteri, kan udgøre en brandrisiko, hvis den bruges med en anden batteritype.
- **Brug kun elværktøj med de specielt beregnede batteripakker.** Brug af andre typer batterier kan medføre risiko for personskader og brand.
- **Når batteripakken ikke bruges, må det ikke opbevares sammen med metalgenstande som fx papirclips, mønter, nøgler, søm, skruer eller andre metalgenstande, som kan skabe forbindelse mellem batteriets poler.** Sammenføjning af batteriklemmer kan forårsage forbrændinger eller brand.
- **Væske kan sprøjte ud fra batteriet ved misbrug af produktet. Undgå kontakt. Skyl med vand ved utilsigtet kontakt. Søg desuden lægehjælp ved øjenkontakt.** Væske fra batteriet kan forårsage irritation eller forbrændinger.
- **Batteriprodukter skal ikke nødvendigvis forbindes til en stikkontakt; de er således altid klar til brug. Vær opmærksom på evt. faremomenter, når batteriproduktet ikke bruges, eller når der skiftes tilbehør.** Derved formindskes risikoen for elektrisk stød, brand og alvorlige personskader.
- **Batteriprodukter eller de tilhørende batterier må ikke anbringes nær ild eller varme.** Herved reduceres faren for eksplosion og evt. personskader.
- **Batteriet må ikke mases, tabes eller beskadiges. Et batteri eller en oplader, som har været udsat for et hårdt slag eller et fald, må ikke anvendes.** Et beskadiget batteri risikerer at eksplodere. Et tabt eller beskadiget batteri skal straks bortskaffes iht. gældende (miljø)regler.
- **Batterier kan eksplodere, hvis de kommer i nærheden af en antændelseskilde som fx et vågeblus.** For at reducere faren for alvorlige personskader må man aldrig anvende et batteriprodukt i nærheden af åben ild. Et eksploderende batteri kan udslynge materialerester og kemikalier. Bliver man ramt, skylles straks med vand.
- **Batteriproduktet må ikke oplades i fugtige eller våde omgivelser.** Derved formindskes risikoen for elektrisk stød.
- **For at få de bedste resultater skal dit batteriprodukt oplades et sted, hvor temperaturen er over**

10°C, men under 38°C. For at reducere risikoen for alvorlig personskade må du ikke opbevare produktet udenfor eller i et køretøj.

- **Under ekstreme anvendelses- eller temperaturforhold kan det ske, at batteriet lækker. Hvis man får væske på huden, skylles omgående med vand og sæbe. Hvis man får væske i øjnene, skylles øjnene med rent vand i mindst 10 minutter, derefter søges omgående læge.** Overholdes denne regel, reduceres faren for alvorlige personskader.
- **Brug ikke en batteripakke, der er beskadiget eller modificeret.** Beskadigede eller modificerede batterier kan være ustabile, hvilket kan medføre brand, eksplosion eller personskade.
- **Lad være med at ændre eller forsøge at reparere en batteripakke, der er blevet beskadiget.**
- **Udsæt ikke batteri eller værktøj for åben ild eller høje temperaturer.** Udsættelse for temperaturer over 130°C kan medføre eksplosion.
- **Følg vejledningen for opladning, og oplad ikke batteriet eller værktøjet uden for det temperaturområde, der er angivet i vejledningen.** Forkert opladning eller opladning ved temperaturer uden for det angivne område kan beskadige batteriet og øge risikoen for brand.

TRANSPORT AF LITHIUM-BATTERIER

Batteriet skal transporteres i henhold til lokale og nationale forskrifter og love.

Når batterier skal transporteres af tredjepart, skal alle specielle krav til emballering og mærkning efterleves. Man skal sikre sig, at ingen batterier kan komme i kontakt med andre batterier eller ledende materialer under transporten ved at beskytte blottede konnektorer med isolerende, ikke-ledende hætter eller tape. Undlad at transportere batterier med revner eller utætheder. Rådfør dig desuden hos speditøren.

BATTERIER

Batteripakker, der ikke er brugt i et stykke tid, skal genoplades inden brug.

Temperaturer på mere end 50°C nedsætter batteripakkens ydelse. Undgå lang tids udsættelse for varme eller sol (risiko for overophedning).

Opladeres og batteripakkers kontakter skal holdes rene.

For at opnå en optimal levetid for batteripakker skal de oplades fuldstændigt efter brug.

For at opnå længst muligt batterilevetid skal batteripakken fjernes fra laderen, når den er fuldt opladet.

Ved opbevaring af batterier længere end 30 dage:

- Opbevar batteriet på et tørt sted med temperaturer under 27 °C.
- Opbevar batterierne i en 30% -50% opladet tilstand.
- Hvert halve år under opbevaring, skal pakken oplades som normalt.

EN
FR
DE
ES
IT
NL
PT
DA
SV
FI
NO
RU
PL
CS
HU
RO
LV
LT
ET
HR
SL
SK
BG
UK
TR
EL

BESKYTTELSE AF BATTERIPAKKEN

Batteripakken har overbelastningsbeskyttelse, der beskytter den mod overbelastning og hjælper med at sikre en lang levetid. Ved ekstrem belastning slukker batterielektronikken automatisk for produktet. For at genstarte slukkes produktet og tændes derefter igen. Hvis produktet ikke starter igen, kan batteripakken være helt afladet. I dette tilfælde skal det genoplades i batteriopladeren.

UUNDGÅELIGE RISICI

Selv om produktet anvendes som foreskrevet, er det stadig umuligt at eliminere visse uundgåelige risikofaktorer fuldstændigt. Følgende risici kan opstå under brug, og operatøren bør være særligt opmærksom for at undgå følgende:

- Brug kun produktet til det tilsigtede formål. Undlad at ændre eller modificere enheden i forhold til det oprindelige design eller funktion.
- Vær altid opmærksom på, at misbrug eller ukorrekt håndtering af dette værktøj kan forårsage skader på dig selv og andre.
- Lad aldrig produktet være uden opsyn med slangen fastgjort til et værktøj.
- Fortsæt ikke med at bruge produktet eller slangen, hvis der siver luft ud, eller produktet ikke fungerer korrekt.
- Risiko for sprængning
 - Juster ikke regulatoren til et udgangstryk, der er større end det markerede maksimale tryk for det påsatte redskab.
- Varme og høje temperaturer genereres, mens motoren og cylinderen kører. Berøring af udækket metal kan medføre alvorlige forbrændinger.
 - Hold altid luftkompressoren væk fra arbejdsområderne.
- Personskader forårsaget af støj
 - Benyt høreværn.
- Gassen fra luftkompressoren kan sende snavs, fliser, løse partikler og små genstande afsted med høj hastighed. Dette kan medføre genstande kastes ind i øjnene eller anden mulig alvorlig skade.
 - Brug altid passende personligt beskyttelsesudstyr, når du bruger forskellige værktøjer.

KEND PRODUKTET

Se side 195.

1. Slangeklemmebeslag
2. Snapkobling
3. PCL hankobling 1/4" BSP med højt flow
4. Tankmanometer
5. Trykregulatoriknap
6. Forskriftsmæssigt manometer
7. Bærehåndtag
8. Sikkerhedsventil
9. Tænd/Sluk-kontakt
10. Batterienhed
11. Aftapningsventil
12. Reset-knappen

UDPAKNING

Efterse værktøjet omhyggeligt for at sikre, at der ikke er sket brud eller skader under fragten.

Bortskaf ikke emballage, før du omhyggeligt har efterset og betjent værktøjet på tilfredsstillende vis.

⚠ ADVARSEL

Hvis nogen af delene er beskadigede eller mangler, må du ikke betjene dette produkt, før delene er blevet udskiftet. Anvendelse af dette produkt med beskadigede eller manglende dele kan resultere i alvorlige personskader.

⚠ ADVARSEL

Forsøg ikke at foretage ændringer på dette værktøj eller at fremstille tilbehør, som ikke anbefales til brug med dette værktøj. Enhver sådan ændring er misbrug og kan medføre farlige situationer med mulig alvorlig personskade til følge.

⚠ ADVARSEL

For at forhindre utilsigtet start, der kan medføre alvorlig personskade, skal du altid fjerne batteriet fra produktet, når du monterer dele.

BETJENING

FORBEREDELSE

Montering/frakobling af en luftslange

Se side 196.

BEMÆRK: Til drift ved brug af tryk over 7 bar (102 psi) skal forsyningsslanger være forsynet med en sikkerhedsledning, for eksempel en wire.

1. Sørg for, at afbryderen er i positionen OFF (O), og batteripakken er afbrudt.
2. Træk trykregulatorens drejeknap udad for at muliggøre justering. Drej trykregulatorens drejeknap helt mod uret.
3. Kontrollér, at udgangstrykket er nul bar.
4. Sæt en luftslange med en tilslutning på hurtigkoblingen 6,35 mm (1/4 in.) på luftkompressoren. Sørg for at skubbe stikket helt ind i koblingen, indtil hylsteret på kobleren fjedrer fremad for at låse stikket på plads.

Sådan fjerner man en luftslange eller et luftværktøj:

1. Træk trykregulatorens drejeknap udad for at muliggøre justering. Drej trykregulatorens drejeknap helt mod uret.
2. Kontrollér, at udgangstrykket er nul bar.
3. Træk tilbage i udløsermuffen på (1/4 in.) 6.35 mm-lynkoblingen. Med et fast greb udrækkes slangetilslutningen, som er fastgjort til hurtigkoblingen.

Tilslutning / fjernelse af en batteripakke

1. Sørg for, at afbryderen er i OFF (O).
2. Sæt en batteripakke i batteriporten.
3. Inden brugen skal du sikre, at låsene på hver side af batterienheden har låst på plads og, at batterienheden sidder sikkert fast på produktet.

- Pres låsemekanismen ind for at udtage batteripakken.
- Du kan finde de fulde opladningsinstruktioner i brugervejledningen til batteripakken og opladeren.

USING THE AIR COMPRESSOR

⚠ FARE

Afmonter ikke tankens ventilerne eller sikkerhedsventilen med luft i lufttanken. Udled luften fra lufttanken. Undladelse af at tage trykket af kan resultere i eksplosion og / eller alvorlig personskade.

⚠ ADVARSEL

Brug altid øjenværn med sideskjolde. Hvis denne regel ikke overholdes, kan man få slyngtet fremmedlegemer i øjnene og komme alvorligt til skade.

⚠ ADVARSEL

Brug ikke andre dele eller tilbehørsdele end dem, fabrikanten anbefaler til denne maskine. Hvis der anvendes ikke-anbefalede dele eller tilbehør, kan man komme alvorligt til skade.

⚠ ADVARSEL

Undlad at montere værktøjer til slangens åbne ende, så længde opstartsfasen ikke er afsluttet.

⚠ ADVARSEL

Man skal altid fjerne batteriet fra værktøjet under montering af dele, indjustering og rengøring af værktøjet, eller når værktøjet ikke er i brug. Ved at fjerne batteriet undgås utilsigtet start, som kan medføre alvorlig personskade.

⚠ ADVARSEL

Må ikke bruges i et miljø, der er støvet eller på anden måde forurenede. Brug af luftkompressor i denne type miljø kan forårsage skade på produktet.

Justering af lufttryk

Se side 197.

- Sørg for, at afbryderen er i positionen OFF (O), og batteripakken er.
- Slut batteripakken til produktet.
- Sæt afbryderen i positionen OFF (O), ved at trykke på knappen.
- Træk trykregulatorens drejeknap udad for at muliggøre justering.
- Drej trykregulatorknappen hen til det ønskede tryk. Når knappen drejes med uret, øges lufttrykket ved udgangen. Når den drejes mod uret, reduceres lufttrykket ved udgangen. Tryk på trykregulatorens drejeknap for at umuliggøre justering.
- Ved at følge alle sikkerhedsforanstaltninger i denne vejledning og producentens anvisninger i

luftværktøjsmanualen, kan du nu fortsætte med at bruge dit luftdrevne værktøj.

⚠ ADVARSEL

Luftdrevne værktøjer kan have et større luftforbrug end denne luftkompressor er i stand til at levere. Kontrollér manuelt værktøjet for at undgå skader på samme eller fare for personskader.

- Kontrollér mængden af luftflow med trykregulatorknappen. Drej knappen helt mod uret, for at stopper luftstrømmen helt.
BEMÆRK: Brug altid det mindst påkrævede tryk til det pågældende anvendelsesformål. Brug af højere tryk end nødvendigt vil tømme tanken for luft hurtigere og udløse hyppigere cyklusser i enheden.
- For at slukke for luftkompressoren, sæt afbryderen i positionen OFF (O), ved at trykke på knappen.
BEMÆRK: Når kompressoren er i positionen ON (I), tændes luftkompressoren automatisk, når det angivne tanklufttryk falder under den forudindstillede trykgrænse. Den lukker også igen, når det ønskede tryk er nået.

⚠ ADVARSEL

Overskrid aldrig angivelsen af luftværktøjets tryk, som anbefalet af fabrikanten. Når du bruger denne luftkompressor som en inflationsanordning, skal du altid følge de maksimale inflationsretningslinjer, der angives af producenten af den genstand, der opblæses.

⚠ ADVARSEL

Sørg altid for, at afbryderen i positionen OFF (O), og regulatorens trykmåler viser nul, inden du skifter luftværktøjer eller fjerner slangen fra luftudtaget. Manglende overholdelse af denne anvisning kan medføre alvorlige personskader!

- Når du er færdig, skal du altid tømme tanken og fjerne batteriet. Efterlad aldrig produktet i drift eller med tilsluttet batteri.

TØMNING AF LUFTTANKEN

Se side 198.

For at forhindre korrosion af tanken og for at holde fugt ude af lufttanken, skal kompressorens lufttank tømmes dagligt.

Sådan tømmes lufttanken:

- Sørg for, at afbryderen er i OFF (O).
- Fjern batteripakken.
- Træk i ringen på trykafslutningsventilen, indtil tankens trykmåler viser mindre end 1,4 bar (20 PSI).
- Slip ringen.
- Drej aftapningsventilens håndtag mod uret for at få fugtigheden ud.
BEMÆRK: Kondensat er et forurenende materiale og skal bortskaffes i henhold til gældende (miljø)regler.
- Drej aftapningsventilens håndtag med uret for at lukke aftapningsventilen.



EN
FR
DE
ES
IT
NL
PT
DA
SV
FI
NO
RU
PL
CS
HU
RO
LV
LT
ET
HR
SL
SK
BG
UK
TR
EL

RESET-KNAPPEN

Når strømmen i luftkompressorens motor overskrider den angivne størrelse, lukkes luftkompressoren automatisk.

Sådan nulstiller man luftkompressoren:

1. Fjern batteripakken.
2. Sluk værktøjet.
3. Vent tre minutter, mens motoren afkøles.
4. Tryk på Reset-knappen.
5. Slut batteripakken til produktet.
6. Tænd produktet.

SKIFT AF KOBLING

Se side 199.

1. Sørg for, at afbryderen er i OFF (O).
2. Fjern batteripakken.
3. Træk i ringen på trykafslutningsventilen, indtil tankens trykmåler viser mindre end 1,4 bar (20 PSI).
4. Slip ringen.
5. Løsn og fjern koblingen ved hjælp af en skrueøgle ved at dreje mod uret.
6. Installer en ny kobling ved hjælp af en skrueøgle og stram ved at dreje i retning med uret.

TRANSPORT OG OPBEVARING

Se side 200 - 201.

1. Sørg for, at afbryderen er i OFF (O).
2. Fjern batteripakken.
3. Brug luftværktøjet kort for at lette luftrykket i slangen, og fjern derefter luftslangen og luftværktøjet. Slip luften ud ved at trække i trykafslutningsventilen.
4. Tøm vandet fra tanken som beskrevet i afsnittet "Tømning af lufttank".
5. Rengør produktet med en tør klud.
6. Før luftslangen rundt om slangeklemmerne.
7. Bær produktet i bærehåndtaget.
8. Opbevar luftkompressoren i normal driftposition på et tørt og beskyttet sted.

⚠ ADVARSEL

Vand vil kondenseres i luftkompressorens tank, når kompressoren er i drift. Vand i tanken kan forårsage, at tanken svækkes og korroderer, hvilket øger risikoen for brud på tanken.

⚠ ADVARSEL

Kobl altid luftslangen fra værktøj, når det ikke er i brug eller under service. Under vedligeholdelse kan et værktøj, der er tilsluttet luftslangen gå i gang ved et uheld og forårsage alvorlig personskade.

⚠ ADVARSEL

Hvis man ikke fjerner batteriet fra luftkompressoren før opbevaring, kan det resultere i at kompressoren kører kontinuerligt, hvilket forårsager overophedning, beskadigelse af kompressoren og muligvis brand.

VEDLIGEHOLDELSE

GENEREL VEDLIGEHOLDELSE

- Undgå brug af opløsningsmidler til rengøring af plastdele. De fleste plastdele tåler ikke forskellige typer kommercielle opløsningsmidler og risikerer at blive ødelagt af disse. Fjern snavs, støv, olie, smørefedt osv. med en ren klud.
- Sørg for, at bremsevæske, benzin, petroleumsbaserede produkter, penetreringsolie, mv., aldrig kommer i kontakt med plastdele. Disse kemiske produkter indeholder stoffer, som kan beskadige, mørne eller ødelægge plastmaterialet, så man risikerer at komme alvorligt til skade.
- Udl altid alt tryk, fjern batteriet, og lad produktet afkøles før rengøring eller reparation af produktet.
- Undlad at ændre produktet på nogen måde eller bruge tilbehør, som ikke er godkendt af producenten. Det kan gå ud over din og andres sikkerhed.
- Undlad at bruge produktet, hvis kontakter, skærme eller andre funktioner ikke fungerer efter hensigten. Indlevér på autoriseret servicecenter til professionel reparation eller justering.
- Kontroller altid, at batteripakken er blevet fjernet fra produktet, inden der foretages justeringer og smøring, og når der udføres vedligeholdelse på produktet.
- Inden og efter hver brug skal produktet kontrolleres for skader eller afbrækkede dele. Hold altid produktet i god stand ved straks at udskifte dele med reservedele, der er godkendt af producenten.

⚠ ADVARSEL

Før bedre sikkerhed og pålidelighed skal alt reparationsarbejde udføres på et autoriseret servicecenter.

MILJØBESKYTTELSE



Råmaterialerne skal genbruges og ikke bortskaffes som almindeligt affald. Af hensyn til miljøet skal redskab, tilbehør og emballage sorteres.

SYMBOLER PÅ PRODUKTET



Sikkerhedsadvarsel



Læs venligst vejledningen grundigt igennem før maskinen tages i brug.



CE-overensstemmelse



EurAsian overensstemmelsesmærke





Ukrainsk overensstemmelsesmærke



Når der arbejdes med maskinen, skal man have beskyttelsesbriller på.



Bær høreværn.



Til brug indendørs



Wet condition alert. Må ikke udsættes for regn Opbevares indendørs.



Risiko ved Vejtrækning. Luft, der kommer direkte fra luftkompressoren, må aldrig bruges til menneskeligt forbrug.



Risiko for sprængning. Juster ikke regulatoren til et udgangstryk, der er større end det markerede maksimale tryk for det påsatte redskab. Brug ikke ved et tryk på mere end 10 bar.



Denne kompressor kan starte uden advarsel.



Risiko for brand eller eksplosion. Sprøjteområdet skal være godt ventileret. Undlad at ryge under sprøjtning eller at sprøjte i nærheden af gløder eller ild. Hold kompressorer på så stor afstand af sprøjteområdet som muligt. Hold kompressoren i en afstand af mindst 10 m fra sprøjteområdet og eksplosive dampe.



Reguleret tryk



Tanktryk



Elektriske affaldsprodukter bør ikke afskaffes sammen med husholdningsaffald. Genbrug venligst hvor faciliteterne tillader dette. Tjek med din lokale kommune eller forhandler for genbrugsråd.

SYMBOLER I BRUGSANVISNINGEN



Dele eller tilbehør, der sælges separat



Bemærk



Advarsel

De følgende ikoner og betydninger er beregnet til at forklare risikoen involveret i at anvende denne enhed.

FARE

Indikerer en umiddelbart farlig situation, som - hvis den ikke afværges - vil medføre dødsfald eller alvorlig personskade.

ADVARSEL

Indikerer en potentielt farlig situation, som - hvis den ikke afværges - kan medføre dødsfald eller alvorlig personskade.

VÆR OPMÆRKSOM

Indikerer en potentielt farlig situation, som - hvis den ikke afværges - kan medføre mindre eller middelsvær personskade.

VÆR OPMÆRKSOM

(Uden sikkerhedssymbol) indikerer en situation som kan føre til skade af personlig ejendom.



Säkerhet, prestanda och pålitlighet har fått högsta prioritet vid utformningen av din luftkompressor.

ANVÄNDNINGSMÅL

Luftkompressorn är utformad för att endast mata tryckluft. Den får inte användas för att komprimera annan gas.

Produkten är utformad för att driva luftdrivna verktyg och blåsa upp högtrycksföremål som bil- och cykeldäck.

Produkten är endast avsedd att användas av vuxna som har läst och förstått instruktionerna och varningarna i denna manual och vilka kan anses ansvariga för sina handlingar.

Produkten får endast användas inomhus.

Använd inte produkten på något annat sätt än vad som är avsett. Användning av el-verktyget för andra områden än de avsedda kan resultera i en riskfylld situation.

ALLMÄNNA SÄKERHETSFORESKRIFTER

⚠ VARNING

Läs alla säkerhetsvarningar och anvisningar. Att inte följa en och instruktionerna kan resultera i elstöt, brand och/eller allvarlig skada.

Behåll dessa varningar och anvisningar för framtida referens.

⚠ VARNING

Grundläggande säkerhetsåtgärder ska alltid följas för att minska risken för brand, elektrisk stöt och personskada när du använder elektriska verktyg. Läs alla instruktioner innan du försöker använda den här produkten och spar instruktionerna för senare bruk.

ARBETSOMRÅDESSKYDD

- Håll arbetsområdet rent. Belamrade områden och bänkar ökar risken för olyckor. Låt inte verktyg eller träbitar ligga på verktyget när det används.
- Använd inte produkten i farliga miljöer. Använd inte elverktyg i fuktiga eller blöta områden och utsätt de inte för regn. Håll arbetsområdet väl upplyst.
- Håll barn och åskådare på avstånd. Alla åskådare ska använda skyddsglasögon och hålla sig på ett säkert avstånd från arbetsområdet. Låt inte besökare röra produkten medan den är i drift.
- Använd aldrig i en explosiv atmosfär. Normal gnistbildning från motorn kan antända ångor.

ELSÄKERHET

- Om någon elektrisk produktkomponent inte skulle fungera korrekt, stäng av strömbrytaren, ta ut batteripaketet från produkten och byt ut det före återupptagning av drift.
- Utsätt inte motordrivna verktyg för regn eller blöta omgivning. Vatten som tränger in i ett motordrivet verktyg ökar risken för elektrisk stöt.

PERSONSÄKERHET

- Var uppmärksam och ha alltid kontroll. Se upp med vad du gör och använd sunt förnuft. Använd inte verktyget när du är trött. Stressa inte.
- Klä dig korrekt. Använd inte löst åtsittande kläder, slips eller smycken som kan fastna i rörliga delar. Gummihandskar och skor med en sula som fäster bra rekommenderas när du arbetar utomhus. Bär hårskydd som skyddar långt hår.
- Bär alltid skyddsglasögon med sidoglas. Vanliga glasögon har endast stöttåliga linser. Det är INTE säkerhetsglasögon.
- Skydda dina lungor. Använd en hel ansiktsmask eller en mask som skyddar mot damm, om arbetet alstrar mycket damm.
- Skydda din hörsel. Bär hörselskydd under längre exponeringar.
- Sträck dig inte. Ha alltid ett bra fotfäste och en god balans.
- Ta bort justeringsnycklar och -verktyg. Ta för vana att kontrollera att nycklar och skiftnycklar är bortplockade från verktyget innan det startas.

ANVÄNDNING OCH UNDERHÅLL AV LUFTKOMPRESSOR

- Överstig inte det godkända trycket hos någon av delarna i systemet.
- Skydda mark- och luftförlagda ledningar från skada och punktering. Håll slangen borta från vassa föremål, kemiska spill, olja, lösningsmedel och våta golv.
- Kontrollera så att inte slangen är försvagad eller sliten innan varje användning; säkerställ att alla anslutningar sitter ordentligt. Använd inte om en defekt hittas. Köp en ny slang eller meddela ett auktoriserat servicecenter för en undersökning eller reparation.
- Släpp ut allt tryck i systemet långsamt. Damm och skräp kan vara skadligt.
- Förvara inaktiva luftkompressorer utom räckhåll för barn och andra ej instruerade personer. Luftkompressorer är farliga i händerna på ej instruerade personer.
- Underhåll luftkompressorer med omsorg. Följ underhållsanvisningarna. Korrekt underhållna verktyg är lättare att kontrollera.
- Kontrollera att det inte föreligger någon obalans eller oförmåga för rörliga delar att röra sig, att inga delar är trasiga och att ingenting annat som påverkar användningen av det motordrivna verktyget föreligger. Om maskinen är skadad måste den repareras innan den kan användas. Många olyckor uppstår på grund av dåligt underhållna verktyg.
- Bibehåll produktens utsida torr, ren och fri från olja och fett. Använd alltid en ren trasa vid rengöring. Använd aldrig bromsvätskor, bensin, petroleumbaserade produkter eller några starka lösningsmedel för att rengöra enheten. Om du följer den här anvisningen minskar du risken att slita ut plasthöljet.

SERVICE

- Använd endast identiska originaldelar när du servar maskinen. Användning av andra delar kan orsaka fara eller produktskada.

EN
FR
DE
ES
IT
NL
PT
DA
SV
FI
NO
RU
PL
CS
RO
HU
LV
LT
ET
HR
SL
SK
BG
UK
TR
EL





Spara dessa anvisningar. Titta i dem ofta och använd dem för att instruera andra. Om du lånar ut verktyget till någon ska du även låna ut instruktionerna.

SÄKERHETSVARNINGAR FÖR LUFTKOMPRESSOR

- Lär känna din produkt. Läs noga igenom bruksanvisningen. Lär dig maskinens användningsområden och begränsningar samt de specifika risker som är associerade med verktyget. Du minskar därmed riskerna för elstöt, brand eller allvarliga skador.
- Dränera lufttanken på fukt efter varje dagsanvändning. Om produkten inte kommer att användas under en tid, är det säkrast att låta dräneringsventilen vara öppen till nästa användning. Detta gör att fukten töms helt och förhindrar möjlig anfrätning på insidan av lufttanken.
- Risk för brand eller explosion. Spraya inte brännbara vätskor i ett instängt område. Sprayområdet måste vara välventilerat. Rök inte samtidigt som du sprayar, och spraya inte i närheten av gnistor eller lågor. Håll produkten åtminstone 10 m från sprejområdet och alla explosiva ångor.
- Risk att spricka. Justera inte regulatorm så att det resulterar i ett utmatningstryck som är högre än det angivna maxtrycket på tillbehöret. Använd inte tillsammans med högre tryck än 8,3 bar.
- För att minska risken för elstötar, bör du inte utsätta produkten för regn. Förvara produkten inomhus.
- Inspektera lufttanken årligen med avseende på sprickor, småhål och andra fel som kan göra att den inte är säker.
- Svetsa eller borra aldrig hål i tanken.
- Kontrollera att slangens fri från hinder. Slangar som sitter fast eller är intrasslade kan skadas och kan göra så att du tappar balansen.
- Använd produkten endast för avsett syfte. Gör inga förändringar på maskinens ursprungliga design eller funktion.
- Tänk på att felanvändning eller felaktig hantering av det här verktyget kan orsaka skador på dig själv och andra.
- Lämna aldrig produkten oövervakad med slangens fäst till verktyget.
- Peka aldrig något luftverktyg mot dig själv eller andra.
- Använd inte det här verktyget om det inte har en läsbar varningsetikett.
- Fortsätt aldrig använda produkter eller slangar som läcker luft eller inte fungerar som de ska.
- Koppla alltid från luftförsörjningen och ta bort batteripaketet innan du utför någon justering, service eller när produkten inte används.
- Dra eller bär aldrig produkten i slangens.
- Ditt verktyg kan kräva mer luftförbrukning än produkten är förmögen av att tillgodose.
- Följ alltid alla säkerhetsföreskrifter som rekommenderas av luftkompressorns tillverkare och luftkompressorns alla övriga säkerhetsföreskrifter. Om du följer dessa anvisningar minskar du risken att skadas allvarligt.

- Rikta aldrig en tryckluftsstråle mot människor eller djur. Var försiktig så att du inte blåser damm och smuts mot dig själv eller andra. Om du följer dessa anvisningar minskar du risken att skadas allvarligt.
- Använd inte produkten för att spruta kemikalier. Dina lungor kan skadas om du andas giftiga ångor. Ett munskydd kan behövas i dammiga miljöer eller om du sprutar färg. Bär inte samtidigt som du målar.
- Kontrollera verktygssladdar och slangar regelbundet och reparera dem hos ditt närmsta auktoriserade servicecenter om det behövs. Se till att du alltid vet var nätsladden befinner sig. Du minskar därmed riskerna för elstöt.
- Kontrollera att det inte föreligger någon obalans eller oförmåga för rörliga delar att röra sig, att inga delar är trasiga och att ingenting annat som påverkar användningen av det motordrivna verktyget föreligger. Om maskinen är skadad måste den repareras innan den kan användas. Många olyckor uppstår på grund av dåligt underhållna verktyg.
- När festsatta skydd behöver tas bort för periodiskt underhåll eller reparation, ska deras fixeringssystem förbli festsatt på skyddet eller maskinen när skydden tas bort.
- Förvara aldrig ett verktyg med en ansluten luftslang. Att förvara verktyget medan det är anslutet till en luftförsörjning kan leda till oväntad drift, avfyring eller rörelse och möjlig allvarlig personskada.
- Skydda dina lungor. Använd en hel ansiktsmask eller en mask som skyddar mot damm, om arbetet alstrar mycket damm. Om du följer dessa anvisningar minskar du risken att skadas allvarligt.
- Spara dessa anvisningar. Titta i dem ofta och använd dem för att instruera andra som ska använda produkten. Om du lånar ut verktyget till någon ska du även låna ut instruktionerna.
- Stå framför kontrollpanelen när du använder maskinen.
- När maskinen används blir många delar väldigt varma. Använd nödvändiga personskyddsanordningar, så som handskar, för att undvika skador från höga temperaturer.
- Produkten är inte avsedd att användas av personer (inklusive barn) med minskad fysisk, sensorisk eller mental förmåga, eller som saknar erfarenhet och kunskap. Barn måste alltid övervakas för att säkerställa att de inte leker med produkten.

SÄKERHETSFÖRESKRIFTER FÖR BATTERI OCH LADDARE

VARNING

För att undvika den fara för brand, personskador eller produktskador som orsakas av en kortslutning, doppa inte ner verktyget, utbytesbatteriet eller laddaren i vätskor och se till att ingen vätska kan tränga in i apparaterna eller batterierna. Korroderande eller ledande vätskor, som saltvatten, vissa kemikalier, blekningsmedel eller produkter som innehåller blekmedel, kan orsaka en kortslutning.





- **Använd endast den laddare som specificeras av tillverkaren för uppladdning av batteriet.** En laddare som passar en typ av batteri kan innebära brandrisk om den används med annat batteri.
- **Använd endast elverktyg med specifikt utformade batteripaket.** Användning av andra batterier kan utgöra en risk för olycksfall och eldsvåda.
- **När batterier inte används ska det hållas på avstånd från metallföremål som gem, mynt, nycklar, spik, skruvar och andra metallföremål som kan ansluta mellan de olika polerna.** Att kortsluta batteriterminalerna kan orsaka brännskador eller brand.
- **Vid missbruk kan vätska tränga ut ur batteriet, undvik att komma i kontakt med den. Om du av misstag kommer i kontakt med vätskan, skölj med vatten. Om vätskan kommer i kontakt med ögonen, kontakta också läkare.** Vätska som tränger ut ur batteriet kan orsaka irritation och brännskador.
- **Batteriprodukter behöver inte vara inkopplade till ett eluttag för att fungera; de är därför alltid redo att användas. Var uppmärksam på möjliga faror när du inte använder din batteriprodukt och när du byter tillbehör.** Du minskar därmed riskerna för elstöt, brand eller allvarliga skador.
- **Placera inte batteriprodukter eller deras batterier i närheten av eld eller värme.** Detta minskar risken för explosion och skada.
- **Krossa, tappa eller skada inte batteripacket. Använd inte ett batteripack eller en batteriladdare som har tappats i marken eller fått ett hårt slag.** Ett skadat batteri kan explodera. Ta hand om batterier som har tappats eller skadats på ett korrekt sätt.
- **Batterier kan explodera när en antändningskälla, exempelvis en indikeringslampa, är i närheten.** För att minska risken för allvarlig skada ska du aldrig använda någon sladdlös produkt i närheten av en öppen låga. Ett exploderande batteri kan kasta iväg skräp och kemikalier. Skölj omedelbart med vatten om du utsätts.
- **Återuppladda inte en batteriprodukt på en fuktig eller våt plats.** Du minskar därmed riskerna för elstöt.
- **För bästa resultat skall din batteridrivna produkt förvaras på en plats med en temperatur mellan 10 °C och 38 °C.** För att minska risken för allvarliga olycksfall, förvara inte produkten i närheten av eller inuti fordon.
- **Under extrem användning eller extrema temperaturförhållanden kan batteriläckage uppstå. Om vätska kommer i kontakt med huden ska huden omedelbart tvättas med tvål och vatten. Om vätskan kommer i kontakt med ögonen ska de sköljas med rent vatten i minst 10 minuter och läkare måste sedan uppsökas omedelbart.** Om du följer dessa anvisningar minskar du risken att skadas allvarligt.
- **Använd inte ett batteripaket som är skadat eller modifierat.** Skadade eller modifierade batterier kan bete sig oförutsägbart, vilket kan leda till brand, explosion eller risk för olycksfall.
- **Försök inte att ändra eller reparera ett batteripaket som har blivit skadat.**
- **Utsätt inte ett batteripaket eller ett verktyg för eld**

eller mycket hög temperatur. Exponering för eld eller temperaturer över 130°C kan orsaka explosion.

- **Följ alla anvisningar för laddning och ladda inte batteripaketet eller verktyget vid en temperatur utanför det intervall som anges i anvisningarna.** Att ladda på felaktigt sätt eller vid temperaturer utanför det angivna intervallet kan skada batteriet och ökar brandrisken.

TRANSPORTERA LITIUMBATTERIER.

Transportera batteriet enligt lokala och nationella lagar och regleringar.

Följ alla specifika krav på förpackning och etiketter när batteri transporteras av tredje part. Se till att batteriet inte kommer i kontakt med andra batterier eller ledande material genom att skydda exponerade kontakter med isolerande, icke ledande skydd eller tejp. Transportera inte batterier som är spruckna eller läcker. Kontrollera med vidarebefordrande företag för mer information.

BATTERIER

Batteripaket som inte har använts under någon tid skall laddas före användning.

Temperaturer över 50°C (122°F) minskar batteripaketets prestanda. Undvik långvarig exponering för värme eller solljus (risk för överhettning).

Laddarnas och batteripaketens kontakter måste hållas rena.

För optimal livslängd skall batteripaketerna laddas upp helt och hållet efter användning.

För att få längsta möjliga batterilivslängd, avlägsna batteriet från laddaren när det är fulladdat.

För batteripaket som förvaras längre än 30 dagar:

- Förvara batteripaketet där temperaturen är under 27 °C och i en fuktfri miljö.
- Förvara batteripaketerna i ett laddningstillstånd mellan 30-50 %.
- Ladda batteripaketet som vanligt var 6:e månad.

SKYDD FÖR BATTERIPAKET

Batteripaketet har ett överbelastningsskydd som skyddar det från att överbelastas och hjälper till att säkerställa lång livslängd. Vid extrem pårestning stänger batterielektroniken av produkten automatiskt. För att starta om produkten, stäng av den och slå på den igen. Om produkten inte startar upp igen kanske batteripaketet är helt urladdat. I sådant fall måste det återladdas i batteriladdaren.

RESIDUALRISK

Även om produkten används enligt instruktionerna går det inte att eliminera alla eventuella riskfaktorer. Följande risker kan uppstå vid användning och operatören ska vara extra uppmärksam för att undvika följande:

- Använd produkten endast för avsett syfte. Gör inga förändringar på maskinens ursprungliga design eller funktion.
- Tänk på att felanvändning eller felaktigt hantering av det här verktyget kan orsaka skador på dig själv och andra.

EN

FR

DE

ES

IT

NL

PT

DA

SV

FI

NO

RU

PL

CS

HU

RO

GR

LV

LT

ET

HR

SL

SK

BG

UK

TR

EL



- Lämna aldrig produkten oövervakad med luftslangen fäst till verktyget.
- Fortsätt aldrig använda produkter eller slangar som läcker luft eller inte fungerar som de ska.
- Risk att spricka
 - Justera inte regulatorn så att det resulterar i ett utmatningstryck som är högre än det angivna maxtrycket på tillbehöret.
- Värme- och högtemperatur framkallas när motorn och cylindern körs. Att vidröra exponerad metall kan leda till allvarliga brännskador.
 - Håll alltid luftkompressorn borta från arbetszonerna.
- Skador orsakade av buller
 - Bär hörselskydd.
- Gasen från luftkompressorn kan driva smuts, spån, lösa partiklar och små föremål i höga hastigheter. Detta kan leda till att föremål kastas in i ögon eller annan möjlig allvarlig skada.
 - Använd alltid lämplig personlig skyddsutrustning vid användning av olika verktyg.

LÄR KÄNNA DIN PRODUKT

Se sidan 195.

1. Slangklammerfästen
2. Snabb anslutningskoppling
3. PCL-koppling med hög flödesstil, hane, 1/4 tum BSP
4. Tanktrycksmätare
5. Tryckregulatorvred
6. Reglerande tryckmätare
7. Bärhandtag
8. Säkerhetsventil
9. Av/på-knapp
10. Batteripack
11. Dräneringsventil
12. Återställningsknapp

PACKA UPP

Kontrollera verktyget noggrant för att säkerställa att inget gått sönder eller skadats under transporten.

Kassera inte förpackningsmaterialet innan du noggrant har kontrollerat verktyget och använt det på ett tillfredsställande sätt.

⚠ VARNING

Om delar är skadade eller saknas, använd inte denna produkt förrän delarna har ersatts. Användning av denna produkt med skadade eller saknade delar kan resultera i allvarliga personskador.

⚠ VARNING

Försök inte att modifiera detta verktyg eller skapa tillbehör till det som inte är rekommenderade. Alla sådana förändringar eller modifikationer anses vara felanvändning och kan resultera i en farlig situation som kan leda till allvarlig personskada.

⚠ VARNING

För att förhindra oavsiktlig start som kan orsaka allvarlig personskada, ta alltid ur batteripaketet från produkten vid montering av delar.

ANVÄNDNING

FÖRBEREDELSE

Fästa/ta loss en luftslang

Se sidan 196.

NOTERA: Vid drift som använder tryck över 7 bar ska leveransslangarna vara monterade med en säkerhetskabel, tex. en vajer.

1. Säkerställ att PÅ/AV-strömbrytaren är inställd på läget AV (O) och att batteripaketet är fränkopplat.
2. Dra tryckregulatorns vred utåt för att aktivera justering. Vrid tryckregulatorns vred helt moturs.
3. Kontrollera att lufttrycket är noll bar.
4. Fäst en luftslang med en anslutning till en 6,35 mm snabbkoppling till luftkompressorn. Tryck anslutningen helt in i kopplingen tills manteln på kopplingen skjuts framåt för att låsa anslutningen på plats.

För att koppla från en luftslang eller ett luftverktyg:

1. Dra tryckregulatorns vred utåt för att aktivera justering. Vrid tryckregulatorns vred helt moturs.
2. Kontrollera att lufttrycket är noll bar.
3. Dra bakåt på lossningsdelen av den 6,4 mm stora snabbkopplingen. Ta ett fast grepp och dra ut slanganslutningen som är fäst till snabbkopplingen.

Anslutning/borttagning av batteripaket

1. Säkerställ att PÅ/AV-strömbrytaren är inställd på läget AV (O).
2. Sätt i ett batteripaket i batteriporten.
3. Kontrollera att spärrarna på varje sida om batteripaketet låser fast och att batteripaketet sitter ordentligt fast i produkten innan du påbörjar användning.
4. Lossa spärrarna för att ta ur batteripaketet.
5. För fullständiga anvisningar för laddning se bruksanvisningen för ditt batteripaket och din laddare.

ANVÄNDA LUFTKOMPRESSORN

⚠ FARA

Montera inte loss tankens dräneringsventiler med luft i lufttanken. Släpp ut luften i lufttanken. Misslyckande med att minska trycket i lufttanken kan leda till explosion och/eller allvarlig personskada.

⚠ VARNING

Bär alltid skyddsglasögon med sidoskärmar. Underlåtenhet att följa denna föreskrift kan leda till att främmande partiklar slungas mot ögonen och framkallar allvarliga ögonskador.



⚠ VARNING

Använd inga andra delar eller tillbehör än sådana som rekommenderas av tillverkaren för detta verktyg. Användning av icke rekommenderade delar eller tillbehör kan medföra risker för allvariga skador.

⚠ VARNING

Anslut inga verktyget till den fria änden av slangen innan uppstarten är klar.

⚠ VARNING

Ta alltid bort batteripaketet från ditt verktyg när du monterar delar, utför justeringar, rengör eller när du inte ska använda det. Genom att ta bort batteripaketet minskar du risken för att oavsiktligt starta maskinen och orsaka skador.

⚠ VARNING

Använd inte i en miljö som är dammig eller på annat sätt kontaminerad. Använda luftkompressorn i den här typen av miljö kan orsaka skada på produkten.

Justera lufttrycket

Se sidan 197.

1. Säkerställ att PÅ/AV-strömbrytaren är inställd på läget AV (O) och att batteripaketet är borttaget.
2. Anslut batteripaketet till produkten.
3. Tryck PÅ/AV-strömbrytaren till läget PÅ (I).
4. Dra tryckregulatorns vred utåt för att aktivera justering.
5. Vrid tryckregulatorns vred till önskat tryck. Om du vridet vredet medsols ökar lufttrycket vid utloppet. Om du vrider motsols minskar lufttrycket vid utloppet. Tryck på tryckregulatorns vred för att inaktivera justering.
6. Om du följer alla säkerhetsåtgärder i denna bruksanvisning och tillverkarens anvisningar i luftverktogsmanualen så kan du börja använda ditt luftdrivna verktyg.

⚠ VARNING

Luftdrivna verktyg kan krävs mer luftförbrukning än denna luftkompressor är kapabel av att tillhandahålla. Använd verktygets bruksanvisning för att undvika att skada verktyget eller dig själv.

7. Kontrollera luftflödets storlek med tryckregulatorvredet. Stoppa luftflödet fullständigt genom att vrida vredet helt moturs.
NOTERA: Använd alltid ett så litet lufttryck som möjligt för att kunna utföra jobbet. Om du använder ett högre lufttryck än nödvändigt tömmer du tanken fortare och maskinen slås igång oftare.
8. För att stänga av luftkompressorn, tryck strömbrytaren till läget AV (O).
NOTERA: När kompressorn är i läget PÅ (I) kommer luftkompressorn automatiskt att starta när det avsedda tanklufttrycket sjunker under den förinställda

tryckgränsen. Den kommer även att stängas av igen när det önskade trycket uppnås.

⚠ VARNING

Överskrid aldrig tillverkarens rekommenderade tryckvärde för luftverktöget. Vid användning av denna luftkompressor som en uppblåsningsenhet, följ alltid riktlinjerna för maximal uppblåsning som anges av tillverkaren av föremålet som blåses upp.

⚠ VARNING

Säkerställ alltid att PÅ/AV-strömbrytaren är i läget AV (O) och att regulatorns tryckmätare står på noll före laddnings av luftverktöget eller fränkoppling av slangen från luftttaget. Att inte göra det kan resultera i allvarig personskada.

9. Töm alltid tanken och ta bort batteripaket när du är klar. Lämna aldrig produkten i drift eller ansluten till batteripaketet.

TÖMMA LUFTTANKEN

Se sidan 198.

För att förhindra anfrätning av tanken och för att hålla fukt borta från lufttanken måste kompressorns lufttank tömmas dagligen.

För att tömma lufttanken:

1. Säkerställ att PÅ/AV-strömbrytaren är inställd på läget AV (O).
2. Ta bort batteripaketet.
3. Dra i ringen på övertrycksventilen tills tankens tryckmätare visar mindre än 1,4 bar.
4. Släpp upp ringen.
5. Vrid dräneringsventilens spak moturs för att tömma ut fukten.
NOTERA: Kondensat är ett förorenande material och ska tas om hand enligt lokala föreskrifter.
6. Vrid dräneringsventilens spak medurs för att stänga dräneringsventilen.

ÅTERSTÄLLNINGSKNAPP

När strömmen till luftkompressorns motor överstiger det angivna värdet kommer luftkompressorn att stängas av automatiskt.

För att återställa luftkompressorn:

1. Ta bort batteripaketet.
2. Slå av verktyget.
3. Vänta 3 minuter för motorn ska hinna svalna.
4. Tryck på reset-knappen.
5. Anslut batteripaketet till produkten.
6. Slå på produkten.

BYTE AV KOPPLING

Se sidan 199.

1. Säkerställ att PÅ/AV-strömbrytaren är inställd på läget AV (O).
2. Ta bort batteripaketet.

EN
FR
DE
ES
IT
NL
PT
DA
SV
FI
NO
RU
PL
CS
HU
RO
LV
LT
ET
HR
SL
SK
BG
UK
TR
EL



3. Dra i ringen på övertrycksventilen tills tankens tryckmätare visar mindre än 1,4 bar.
4. Släpp upp ringen.
5. Använd en skiftnyckel, lossa och ta bort kopplingen genom att vrida moturs.
6. Använd en skriftnyckel, installera en ny koppling och dra åt medurs.

TRANSPORT OCH FÖRVARING

Se sidan 200 - 201.

1. Säkerställ att PÅ/AV-strömbrytaren är inställd på läget AV (O).
2. Ta bort batteripaketet.
3. Kör luftverktyget för att lätta på lufttrycket i slangen, avlägsna sedan luftslangen och luftverktyget. Frigör luften genom att dra i övertrycksventilen.
4. Töm vatten från tanken enligt instruktionerna i avsnittet "Tömma lufttanken".
5. Rengör produkten med en torr trasa.
6. Linda in luftslangen runt slangens fästbeslag.
7. Lyft produkten genom bärhandtaget.
8. Förvara luftkompressorn i dess normala driftläge på en torr och skyddad plats.

⚠ VARNING

Vatten kommer att kondensera i luftkompressorns tank när kompressorn är i drift. Vatten som lämnas kvar i tanken kan göra att tanken försvagas eller korroderar, vilket ökar risken för att tanken spricker.

⚠ VARNING

Koppla alltid från luftslangen från verktyg när den inte används eller är på service. Vid underhåll, kan ett verktyg som är anslutet till en luftslang starta oavsiktligt och orsaka allvarig personskada!

⚠ VARNING

Underlåtenhet att ta ur batteripaketet från luftkompressorn före förvaring kan leda till att kompressorn körs kontinuerligt och orsaka överhettning, skada på kompressorn och möjlig brand.

UNDERHÅLL

GENERELLT UNDERHÅLL

- Undvik att använda lösningsmedel vid rengöring av plastdelar. De flesta plaster är känsliga för skador vid användning av olika typer av kommersiella lösningsmedel och kan skadas om du använder sådana. Använd en ren och torr trasa för att ta bort smuts, damm, olja, fett, osv.
- Låt aldrig bromsvätska, bensin, petroleumbaserade produkter, penetrerande oljor och liknande komma i kontakt med plastdelar. Dessa kemiska produkter innehåller ämnen som kan skada, försvaga eller förstöra plasten, vilket kunde förorsaka allvariga kroppsskador.

- Släpp alltid ut allt tryck, ta bort batteripaketet och låt produkten svala före rengöring eller utförande av reparationer på produkten.
- Modifiera inte produkten på något sätt och använd inga tillbehör som inte godkänts av tillverkaren. Din och andras säkerhet kan vara i fara.
- Använd inte produkten om brytare, skydd eller andra funktioner inte fungerar som avsett. Lämna den till auktoriserat servicecenter för reparation eller justering.
- Säkerställ alltid att batteripaketet har tagit bort från produkten innan du gör några justeringar, smörjer eller vid underhåll av produkten.
- Före och efter användning ska produkten kontrolleras så det inte finns skadade eller trasiga delar. Håll produkten i gott skick genom att omedelbart ersätta delar med reservdelar som tillhandahålls av tillverkaren.

⚠ VARNING

För säkerhet och pålitlighet ska alla reparationer utföras av auktoriserat reparationscenter.

MILJÖSKYDD



Råmaterialen ska återvinnas i stället för att kastas i hushållsavfallet. För att skona miljön ska verktyget, tillbehören och emballagen sorteras.

SYMBOLER PÅ PRODUKTEN



Säkerhetsvarning



Läs instruktionerna ordentligt innan start av maskinen.



CE-överensstämmelse



EurAsian överensstämmelsesymbol



Ukrainskt märke för överensstämmelse



Använd alltid skyddsglasögon när du använder maskinen.



Bär hörselskydd.



För inomhusbruk



Varning för våta förhållanden. Skydda mot regn Förvara inomhus.



Andningsrisk. Luft som erhålls direkt från luftkompressorn bör aldrig användas som tilluft för mänsklig inandning.



Risk att spricka. Justera inte regulatören så att det resulterar i ett utmatningstryck som är högre än det angivna maxtrycket på tillbehöret. Använd inte tillsammans med högre tryck än 10 bar.



Kompressorn kan starta utan förvarning!

Risk för brand eller explosion.

Sprayområdet måste vara välventilerat. Rök inte samtidigt som du sprayar, och spraya inte i närheten av gnistor eller lågor. Håll kompressorer så långt bort från sprayområdet som möjligt. Håll kompressorn på minst 10 m avstånd från sprayområdet och alla explosiva gaser.



Reglerat tryck



Tanktryck



Gamla elektroniska produkter ska inte kastas med hushållssoporna. Återvinn där sådana faciliteter finns. Kontrollera med din lokala myndighet eller säljaren för att få återvinningstips.

EN
FR
DE
ES
IT
NL
PT
DA
SV
FI
NO
RU
PL
CS
HU
RO
LV
LT
ET
HR
SL
SK
BG
UK
TR
EL

SYMBOLER I MANUALEN



Delar och utrustning säljs separat



Notera



Varning

Följande signalord och betydelser är tänkta att förklara de olika risknivåerna som är associerade med denna produkt.

⚠ FARA

Visar på en direkt riskfylld situation som, om den inte undviks, kan orsaka dödsfall eller allvarlig personskada.

⚠ VARNING

Visar på en potentiellt riskfylld situation som, om den inte undviks, kan orsaka dödsfall eller allvarlig personskada.

⚠ FÖRSIKTIGHET

Visar på en potentiellt riskfylld situation som, om den inte undviks, kan orsaka mindre eller måttlig personskada.

FÖRSIKTIGHET

(Utan säkerhetssymbolen) Indikerar en situation som kan leda till egendomsskada.



Turvallisuus, tehokkuus ja käyttövarmuus ovat ilmakompressorimme tärkeimpiä ominaisuuksia.

KÄYTTÖTARKOITUS

Ilmakompressori on suunniteltu syöttämään ainoastaan paineilmaa. Sitä ei saa käyttää muiden kaasujen puristamiseen.

Laitte on suunniteltu paineilmalla toimiville työkaluille ja korkeapainetta käyttävien kohteiden, kuten auton- ja polkupyöränrenkaiden, täyttämiseen.

Tuotetta saavat käyttää vain aikuiset, jotka ovat lukeneet tässä käyttöohjeessa olevat ohjeet ja varoitukset ja ymmärtävät niiden sisällön ja joiden voidaan katsoa olevan vastuussa omista teoistaan.

Laitetta saa käyttää vain sisätiloissa.

Älä käytä tätä tuotetta millään muulla tavalla kuin mihin se on tarkoitettu. Sähkötyökalun käyttö muuhun kuin sille tarkoitettuun työhön voi aiheuttaa vaarallisia tilanteita.

YLEISET TURVALLISUUSVAROITUKSET

⚠ VAROITUS

Lue kaikki turvallisuusvaroitukset ja ohjeet. Ten ja ohjeiden laiminlyönnistä voi seurata sähköisku, tulipalo ja/tai vakava loukkaantuminen.

Säästä kaikki varoitukset ja ohjeet tulevaa käyttöä varten.

⚠ VAROITUS

Sähkötyökaluja käytettäessä on aina ryhdyttävä varotoimiin tulipalon, sähköiskun ja loukkaantumisen välttämiseksi. Lue kaikki ohjeet ennen tuotteen käyttöä, ja säilytä nämä ohjeet.

TYÖALUEEN TURVALLISUUS

- Pidä työalue siistinä. Sotkuiset alueet ja pöydät voivat aiheuttaa onnettomuuden. Älä jätä työkaluja tai puunpaloja laitteen päälle sen käytön aikana.
- Älä käytä laitetta vaarallisessa ympäristössä. Älä käytä sähkötyökaluja kosteissa tai märissä paikoissa tai jätä niitä sateeseen. Pidä työalue hyvin valaistuna.
- Pidä lapset ja vieraat poissa laitteen lähetyiltä. Kaikkien vierailijoiden on käytettävä suojalaseja ja pysyttävä turvallisella etäisyydellä työalueesta. Älä päästä sivullisia kosketuksiin laitteen kanssa käytön aikana.
- Älä koskaan käytä laitetta räjähdyksalttiissa ympäristössä. Moottorin normaali kipinäntoimi voisi sytyttää huurut.

SÄHKÖTURVALLISUUS

- Jos jokin laitteen sähkökomponenteista ei toimi oikein, sammuta virtakytkin, poista akkupakkaus laitteesta ja vaihda komponentti ennen kuin jatkat käyttöä.
- Älä altista sähkötyökalua sateelle tai kosteudelle. Sähkötyökaluun joutunut vesi kasvattaa sähköiskun vaaraa.

KÄYTTÄJÄN TURVALLISUUS

- Ole valpas ja pidä laite hallinnassa. Katso mitä teet ja käytä maalaisjärkeä. Älä käytä konetta, jos olet väsynyt. Älä kiirehdi.
- Pukeudu asianmukaisesti. Älä käytä välijä vaatteita, solmioita tai koruja, jotka voivat tarttua liikkuviin osiin ja vetää käyttäjän niihin. Ulkotöissä suositellaan käytettävän kumikäsineitä ja luistamattomia suojakenkiä. Suojaa pitkät hiukset peittämällä ne.
- Käytä aina suojalaseja, joissa on sivusuojaimet. Tavallisten silmälasien linssit ovat ainoastaan iskunkestävät – ne EIVÄT ole suojalaseja.
- Suojele keuhkojasi. Käytä kasvonsuojusta tai kasvonaamaria, mikäli työstä syntyy pölyä.
- Suojele kuuloasi. Käytä pitkäaikaisessa käytössä kuulosuojaimia.
- Älä kurkota liian kauas. Säilytä aina kunnollinen jalsansija ja tasapaino.
- Poista säätöavaimet ja kiintoavaimet. Opi tarkistamaan, että kaikki avaimet ja muut työkalut on poistettu laitteesta ennen sen käynnistämistä.

ILMAKOMPRESSORIN KÄYTTÖ JA HOITO

- Älä yritä järjestelmän minkään komponentin paineluokitusta.
- Suojaa putket ja ilmaletkut vaurioilta ja rei'iltä. Pidä letku loitolla terävistä esineistä, kemikaaleista, öljystä, liuottimista ja märistä lattioista.
- Tarkista letkut heikkojen ja kuluneiden liitosten varalta ennen jokaista käyttöä ja varmista, että kaikki liitokset ovat tukevia. Älä käytä, jos laitteistossa on vika. Hanki uusi letku tai pyydä valtuutettua huoltoa tarkistamaan tai korjaamaan se.
- Vapauta järjestelmän paine hitaasti. Pöly ja roskat voivat olla haitallisia.
- Säilytä ilmakompressorit lasten ja muiden laitteen käyttöön harjaantumattomien henkilöiden ulottumattomissa. Ilmakompressorit ovat vaarallisia niiden käyttöön harjaantumattomien käsissä.
- Pidä ilmakompressorit kunnossa. Noudata huolto-ohjeita. Asianmukaisesti huollettuja laitteita on helpompi hallita.
- Tarkista, että liikkuvat osat on kohdistettu oikein ja että ne liikkuvat kunnolla, että osia ei ole rikkoutunut ja että mikään muu seikka ei haittaa laitteen toimintaa. Jos laite on vioittunut, vie se huoltoon ennen sen käyttöä. Monet onnettomuudet johtuvat huonosti huolletuista tuotteista.
- Pidä laitteen ulkopinta kuivana, puhtaana, öljyttömänä ja rasvattomana. Käytä puhdistukseen aina puhdasta riepua. Älä puhdistu yksikköä koskaan jarrusteella, bensiinillä, öljypohjaisilla tuotteilla eikä vahvoilla liuottimilla. Tämän säännön noudattaminen pienentää kotelon muovin rappeutumisen vaaraa.

HUOLTO

- Huollossa tulee käyttää ainoastaan identtisiä varaosia. Muunlaisten osien käyttö voi aiheuttaa vaaran tai viittää laitetta.





Säilytä nämä ohjeet. Viittaa niihin säännöllisesti ja käytä niitä kouluttaessasi muita käyttäjiä. Jos lainaat laitteen, lainaa mukana myös ohjeet.

ILMAKOMPRESSORIN TURVALLISUUSVAROITUKSET

- Tunne tuotteesi. Lue käyttäjän käsikirja huolellisesti. Lue tästä käsikirjasta koneen käyttötarkoitukset ja rajoitukset sekä siihen liittyvät mahdolliset vaarat. Vähennät sähköisku-, tulipalo- ja loukkaantumisvaaraa.
- Poista ilmasäiliöstä kosteus joka päivä aina käytön jälkeen. Jos laitetta ei vähään aikaan käytetä, on hyvä jättää tyhjennysventtiili auki seuraavaan käyttöön asti. Tämä mahdollistaa kosteuden poistumisen kokonaan ja auttaa estämään korroosiota ilmasäiliön sisäpuolella.
- Tulipalo- tai räjähdysvaara. Älä ruiskuta tulenarkoja nesteitä suljetussa tilassa. Ruiskutusalueen on oltava hyvin tuuletettu. Älä tupakoi ruiskuttamisen aikana tai ruiskuta alueelle, missä on kipinöitä tai liekkejä. Pidä laite vähintään 10 metrin etäisyydellä ruiskutusalueelta ja kaikista räjähtävistä höyrystä.
- Halkeamisvaara. Älä aseta säädintä siten, että ulostulopaine on suurempi kuin suurimmaksi merkitty kiinnityspaine. Älä käytä 8.3 baaria suurempaa painetta.
- Sähköiskun välttämiseksi älä jätä laitetta sateeseen. Säilytä konetta sisätiloissa.
- Tarkista ilmasäiliö vuosittain ruosteen, reikien tai muiden laitteen vaaralliseksi mahdollisesti muuttavien vikojen varalta.
- Älä koskaan hitsaa ilmasäiliötä tai poraa siihen reikiä.
- Tarkista, että letkussa ei ole tukoksia eikä se ole sotkussa. Sotkeutuneet ja takkuiset letkut voivat saada käyttäjän menettämään tasapainon tai jalansijan ja voivat vioittua.
- Käytä laitetta ainoastaan tarkoitukseen, johon se on suunniteltu. Älä muuta tai muokkaa yksikköä sen alkuperäisestä rakenteesta tai toiminnosta.
- Pidä aina mielessä, että tämän laitteen väärinkäyttö ja virheellinen käsittely voi aiheuttaa loukkaantumisen itsellesi tai muille.
- Älä koskaan jätä laitetta ilman valvontaa ilmaletkun ollessa kiinnitettynä työkaluun.
- Älä koskaan suuntaa mitään ilmatyökalua itseesi tai muita kohti.
- Älä käytä tätä laitetta, jos siinä ei ole luettavaa varoituskylttiä.
- Älä jatka ilmaa vuotavan tai viallisen laitteen tai letkun käyttöä.
- Irrota ilmansyöttö ja irrota akkupakkaus aina ennen säätämistä, huoltamista tai kun laitetta ei käytetä.
- Älä yritä vetää tai kantaa tuotetta letkusta.
- Työkalu saattaa kuluttaa ilmaa enemmän kuin laite pystyy tarjoamaan.
- Noudata aina ilmakompressorin turvallisuussääntöjen lisäksi kaikkia ilmatyökalusi valmistajan suosittelemia turvallisuussääntöjä. Tämän säännön noudattaminen pienentää vakavan loukkaantumisen riskiä.

- Älä koskaan suuntaa paineilmasuihukua ihmisiä tai eläimiä kohden. Varo, ettei puhalla pölyä ja likaa itsesi tai muiden päälle. Tämän säännön noudattaminen pienentää vakavan loukkaantumisen riskiä.
- Älä suihkuta tällä inflaattorilla kemikaaleja. Myrkyllisten huuруjen hengittäminen voi vahingoittaa keuhkojasi. Pölyisissä ympäristöissä tai ruiskumaalattaessa voidaan tarvita hengityslaitetta. Älä kannaa maalatessasi.
- Tarkista laitteen johdot ja letkut säännöllisesti, ja jos ne ovat vioittuneet, korjauta ne lähimmässä valtuutetussa huollossa. Ole aina tietoinen jatkojohdon sijaintipaikasta. Vähennät sähköiskuvaaraa.
- Tarkista, että liikkuvat osat on kohdistettu oikein ja että ne liikkuvat kunnolla, että osia ei ole rikkoutunut ja että mikään muu seikka ei häiritse laitteen toimintaa. Jos laite on vioittunut, vie se huoltoon ennen sen käyttöä. Monet onnettomuudet johtuvat huonosti huolletuista tuotteista.
- Kun kiinteät suojalaitteet on poistettava säännöllisen huollon tai korjauksen ajaksi, niiden kiinnitysjärjestelmien on pysyttävä kiinnitettyinä suojalaitteessa tai koneessa suojalaitteiden ollessa poissa.
- Älä koskaan varastoi työkalua ilmaletku liitettynä. Työkalun säilyttäminen ilmansyöttöön liitettynä voi johtaa odottamattomaan toimintaan, laukaisuun tai liikkeeseen ja vakavaan henkilövahinkoon.
- Suojele keuhkojasi. Käytä kasvonsuojusta tai kasvonaamaria, mikäli työstä syntyy pölyä. Tämän säännön noudattaminen pienentää vakavan loukkaantumisen riskiä.
- Säilytä nämä ohjeet. Viittaa niihin säännöllisesti ja käytä niitä kouluttaessasi muita tuotteen mahdollisia käyttäjiä. Jos lainaat laitteen, lainaa mukana myös ohjeet.
- Käytä konetta ohjauspaneelin edestä.
- Kun kone käy, monet koneen osat voivat aiheuttaa korkean lämpötilan. Käytä asianmukaisia henkilökohtaisia suojavarusteita, kuten käsineitä, jotta vältyt korkeista lämpötiloista johtuvilta vammoilta.
- Tätä tuotetta eivät saa käyttää lapset tai sellaiset henkilöt, joiden fyysiset, aistimukselliset tai henkiset kyvyt ovat alentuneet tai joilta puuttuu tuotteen käyttöön tarvittava kokemus ja tuntemus. Lasten ei pidä antaa leikkiä laitteella.

AKUN JA LATURIN TURVALLISUUSVAROITUKSET

VAROITUS

Jotta vältetään lyhytsulun aiheuttama tulipalon, loukkaantumisen tai tuotteen vahingoittumisen vaara, älä koskaan upota työkalua, vaihtoakkuja tai latauslaitetta nesteeseen ja huolehdi siitä, ettei mitään nesteitä pääse tunkeutumaan laitteiden tai akkujen sisään. Syövyttävät tai sähköä johtavat nesteet, kuten suolavesi, tietyt kemikaalit ja lalkaisuinneet tai valkaisuinneet sisältävät tuotteet voivat aiheuttaa lyhytsulun.

- **Lataa vain valmistajan määrittelemällä laturilla.** Yhden tyyppiselle akulle sopivan laturin käyttö toisenlaisen akun kanssa voi olla vaarallista.

EN
FR
DE
ES
IT
NL
PT
DA
SV
FI
NO
RU
PL
CS
HU
RO
LV
LT
ET
HR
SL
SK
BG
UK
TR
EL





- Käytä konetyökaluissa vain nimenomaan niille tarkoitettuja akkuyksiköitä. Muiden akkujen käyttö voi aiheuttaa loukkaantumisen- ja tulipalovaaran.
- Kun akku ei käytetä, pidä se erillään metalliesineistä, kuten paperiliittimistä, kolikoista, avaimista, nauloista, ruuveista ja muista pienistä metalliesineistä, jotka voivat yhdistää akun navat. Akun koskettimien oikosulku yhdessä saattaa aiheuttaa palovammoja tai tulipalon.
- Väärästä käytöstä johtuen akusta voi tulla ulos nestettä; vältä kosketusta. Jos kosketat vahingossa, huuhtele vedellä. Jos nestettä pääsee silmiin, hakeudu lisäksi lääkäriin. Akusta ulos tuleva neste voi aiheuttaa ärsytystä tai palovammoja.
- Akkukäyttöisiä tuotteita ei tarvitse kytkeä pistorasiaan; ne ovat näin ollen aina käyttövalmiita. Ole tietoinen mahdollisista vaaroista, kun et käytä akkutuotetta tai kun vaihdat lisävarusteita. Vähennät sähköisku-, tulipalo- ja loukkaantumisvaaraa.
- Älä aseta akkukäyttöisiä tuotteita tai niiden akkuja lähelle tulta tai lämmönlähdettä. Näin pienennät räjähdyksen ja loukkaantumisen vaaraa.
- Älä murskaa, pudota tai vioita akkuja. Älä käytä akkuja tai laturia, joka on pudonnut tai saanut kovan iskun. Vioittunut akku saattaa räjähtää. Hävittä pudonneet ja vioittuneet akut heti asianmukaisesti.
- Paristot voivat räjähtää, jos lähellä on tulenlähde, kuten syytysliesleikki. Jotta loukkaantumisen riski pienenee, älä koskaan käytä langattomia tuotteita avotulen lähellä. Räjähtävä akku voi singota ympärilleen roskia ja kemikaaleja. Jos joudut räjähdyksen kohteeksi, huuhtele itsesi heti vedellä.
- Älä lataa akkuja kosteassa tai märässä ympäristössä. Vähennät sähköiskuvaaraa.
- Parhaan lataustuloksen takaamiseksi laite tulee ladata tilassa, jossa lämpötila on yli 10 °C mutta alle 38 °C. Jotta henkilövahinkoriski olisi mahdollisimman pieni, älä säilytä laitetta ulkona äläkä ajoneuvoissa.
- Akku saattaa vuotaa äärimmäisen rankassa käytössä tai ääriämpötiloissa. Jos iholle valuu nestettä, pese se välittömästi saippualla ja vedellä. Jos nestettä joutuu silmiin, huuhtele niitä puhtaalla vedellä vähintään 10 minuuttia ja hakeudu sitten lääkärin hoidettavaksi. Tämän säännön noudattaminen pienentää vakavan loukkaantumisen riskiä.
- Vaurioitunutta tai muunneltua akkupakkausta ei saa käyttää. Vaurioituneet tai muunnellut akut voivat käyttäytyä odottamattomasti, josta saattaa seurata tulipalo, räjähdys tai tapaturmavaara.
- Älä muuntele tai yritä korjata akkupakkausta.
- Älä altista akkuja tai työkalua tulelle tai liian korkealle lämpötilalle. Tulelle tai yli 130°C:n lämpötilalle altistuminen voi johtaa räjähdykseen.
- Noudata kaikkia latausohjeita äläkä lataa akkuja tai työkalua muissa kuin ohjeissa määritellyissä lämpötiloissa. Virheellinen lataus tai määritellyistä poikkeavat lämpötilat saattavat johtaa akun vaurioitumiseen ja lisätä tulipalon vaaraa.

LITIUMAKKIJEN KULJETTAMINEN

Kuljeta akkuja paikallisten ja kansallisten ehtojen ja säädösten mukaisesti.

Noudata kaikkia pakkaamista ja nimeämistä koskevia erikoissäädöksiä, kun kolmas osapuoli kuljettaa akkuja. Varmista, että mikään akku ei kosketa muita akkuja tai johtavaa materiaalia kuljetuksen aikana suojaamalla paljasta navat eristävillä, johtamattomilla korkeilla tai teipillä. Älä kuljeta akkuja, jotka ovat halkeilleet tai vuotavat. Kysy välitykseltä lisäneuvoja.

AKUT

Jos akkupakkauksia ei ole käytetty vähään aikaan, ne on ladattava uudelleen ennen käyttöä.

Yli 50 °C (122 °F) lämpötilat alentavat akkupaketin suorituskykyä. Vältä pitkäaikaista altistamista kuumuudelle tai auringonvalolle (ylikuumenemisriski).

Laturien ja akkupakkausten koskettimet on pidettävä puhtaina.

Akkupakkausten käyttöäin optimoimiseksi niiden on oltava täyteen ladattuja käytön jälkeen.

Jotta akkupakkauksen käyttöikä olisi mahdollisimman pitkä, poista täyteen ladattu akkupakkaus latauslaitteesta.

Jos akkupakkaus on varastoitu yli 30 päivää:

- Säilytä akkupakkausta paikassa, jossa ei ole kosteutta ja jossa lämpötila on alle 27 °C.
- Säilytä akkupakkauksia 30 %:n - 50 %:n varauksissa.
- Lataa säilytysaikana akkupakkaus kuuden kuukauden välein normaalisti.

AKKUPAKKAUKSEN SUOJAAMINEN

Akkupakkauksessa on ylikuormitusuoja, joka suojaa sitä ylikuormitukselta ja auttaa varmistamaan pitkän käyttöajan. Äärimmäisessä rasituksessa akun elektroniikka sammuttaa laitteen automaattisesti. Käynnistä laite uudelleen kytkemällä laite pois päältä ja sitten uudelleen päälle. Jos laite ei käynnisty uudelleen, akkupakkaus on saattanut purkautua kokonaan. Tällöin se on ladattava akkulaturissa uudelleen.

KÄYTÖN RISKIT

Vaikka tuotetta käytettäisiin ohjeiden mukaisesti, ei ole mahdollista täysin eliminoida tiettyjä käyttöön liittyviä riskitekijöitä. Käytössä voi aiheutua seuraavia vaaroja, ja käyttäjän tulee kiinnittää erityistä huomiota niiden välttämiseen:

- Käytä laitetta ainoastaan tarkoitukseen, johon se on suunniteltu. Älä muuta tai muokkaa yksikköä sen alkuperäisestä rakenteesta tai toiminnosta.
- Pidä aina mielessä, että tämän laitteen väärinkäyttö ja virheellinen käsittely voi aiheuttaa loukkaantumisen itsellesi tai muille.
- Älä koskaan jätä laitetta ilman valvontaa ilmaletkun ollessa kiinnitettynä työkaluun.
- Älä jatka ilmaa vuotavan tai viallisen laitteen tai letkun käyttöä.
- Halkeamisvaara





- Älä aseta säädintä siten, että ulostulopaine on suurempi kuin suurimmaksi merkitty kiinnityspaine.
- Moottorin ja sylinterin käydessä syntyy lämpöä ja korkea lämpötila. Metalliin koskeminen voi aiheuttaa vakavia palovammoja.
 - Pidä ilmakompressorin aina poissa työskentelyalueilta.
- Melun aiheuttama vamma
 - Käytä kuulosuojaimia.
- Ilmakompressorista peräisin oleva kaasu voi singota likaa, siruja, irtonaisia hiukkasia ja pieniä esineitä suurella nopeudella. Tämän seurauksena esineitä voi singota silmiin tai voi aiheutua jokin muu vakava henkilövamma.
 - Käytä aina asianmukaisia henkilösuojia, kun käytät erilaisia työkaluja.

TUNNE TUOTTEESI

Katso sivu 195.

1. Letkunpidin
2. Pikaliitin
3. 1/4" BSP -tyypin PCL-virtausliitin suurelle virtaukselle, uros
4. Säiliön painemittari
5. Paineensäätönuppi
6. Painemittari
7. Kantokahva
8. Ylipaineventtiili
9. Käynnistys/sammutuskytkin
10. Akku
11. Tyhjennysventtiili
12. Nollauspainike

PAKKAUKSEN PURKAMINEN

Tarkasta tuote huolellisesti ja varmista, ettei siinä ole kuljetuksen aiheuttamia rikkoutumisvahinkoja tai vaurioita.

Älä hävitä pakkausmateriaaleja, ennen kuin olet tarkastanut huolella työkalun ja käyttänyt sitä onnistuneesti.

⚠ VAROITUS

Jos on vaurioituneita tai puuttuvia osia, älä käytä tätä laitetta ennen kuin osat on korvattu uusiin. Jos tässä koneessa on vaurioituneita osia tai niitä puuttuu, sen käyttö voi aiheuttaa vakavia henkilövammoja.

⚠ VAROITUS

Älä yritä tehdä muutoksia työkaluun tai liittää siihen lisävarusteita, joita ei ole suositeltu sen kanssa käytettäväksi. Tällainen muuntelu on väärikkäyttöä ja saattaa johtaa vaarallanteeseen, joka saattaa aiheuttaa mahdollisen vakavan vamman.

⚠ VAROITUS

Ennen kuin laitteeseen asennetaan osia, akkupakkaus on aina irrotettava, jotta vältytään vakavia henkilövahinkoja mahdollisesti aiheuttavalta vahingossa tapahtuvalta käynnistymiseltä.

KÄYTTÖ

VALMISTELUT

Ilmaletkun kytkeminen/irrottaminen

Katso sivu 196.

HUOM: Jos työ vaatii yli 7 baarin (102 psi) paineita, ilmaa syöttävä letku on kiinnitettävä jollain turvallisuutta lisäävällä johdolla, esim. vaijerilla.

1. Varmista, että käynnistyskytkin on asennossa OFF (O) ja akkupakkaus pois paikaltaan.
2. Vedä säätämistä varten painesäätimen nuppia ulospäin. Käännä painesäätimen nuppi vastapäivään kokonaan.
3. Varmista, että lähtöpaine on nolla baaria.
4. Kytke liittimellä varustettu ilmaletku ilmakompressorin 6,35 mm:n (1/4") pikaliittimeen. Työnnä liitin kokonaan pikaliittimeen, kunnes pikaliittimen holkki ponnahtaa eteenpäin ja lukitsee liittimen paikalleen.

Ilmaletkun tai ilmatyökalun irrottaminen:

1. Vedä säätämistä varten painesäätimen nuppia ulospäin. Käännä painesäätimen nuppi vastapäivään kokonaan.
2. Varmista, että lähtöpaine on nolla baaria.
3. Vedä 6,35 mm (1/4 in.) pikaliittimen vapautusholkkia. Vedä lujalla otteella pikaliittimeen kytketty letkunliitin pois paikaltaan.

Akkupakkauksen liittämisen/poistaminen

1. Varmista, että käynnistyskytkin on asennossa OFF (O).
2. Työnnä akkupakkaus akkuporttiin.
3. Varmista ennen käyttöä, että akun sivuilla olevat salvat loksahtavat paikoilleen ja että akku on kiinni porassa.
4. Paina salvat sisään, kun irrotat akkua.
5. Täydelliset latausohjeet löytyvät akkupakkauksen laturin käyttöoppaista.

ILMAKOMPRESSORIN KÄYTTÄMINEN

⚠ VAARA

Älä pura säiliön tyhjennysventtiilejä tai varoventtiilejä silloin kun säiliössä on ilmaa. Vapauta ilma säiliöstä. Ilmasäiliön paineistuksen poistamatta jättäminen voi johtaa räjähdyksen ja/tai vakavaan henkilövahinkoon.

⚠ VAROITUS

Käytä aina suojalaseja, joissa on sivusuojaimet. Tämän ohjeen laiminlyönti voi aiheuttaa kappaleiden sinkoutumista silmiin käytön aikana ja aiheuttaa täten vakavia silmävammoja.

⚠ VAROITUS

Älä käytä muita, kuin valmistajan tälle työkalulle suosittelemia varoosia ja lisävarusteita. Muiden kuin suositeltujen lisävarusteiden ja lisävarusteiden käyttö voi aiheuttaa vakavan loukkaantumisen.



VAROITUS

Älä kytke mitään laitteita letkun avoimeen päähän ennen käynnistyskeskustämistä.

VAROITUS

Irrota akku työkalusta aina kun kokoat osia, teet säätöjä, puhdistat sitä ja kun se ei ole käytössä. Akun irrottaminen estää laitetta käynnistymättä vahingossa, jolloin vältytään mahdollisilta vakavilta vammoilta.

VAROITUS

Älä käytä pölyisessä tai muuten saastuneessa ympäristössä. Ilmakompressorin käyttäminen tällaisessa ympäristössä voi aiheuttaa laitteelle vahinkoa.

Ilmanpaineen säätäminen

Katso sivu 197.

1. Varmista, että käynnistyskytkin on asennossa OFF (O) ja akkupakkaus pois paikaltaan.
2. Liitä akkupakkaus laitteeseen.
3. Paina käynnistyskytkin asentoon ON (I).
4. Vedä säätämistä varten painesäätimen nuppia ulospäin.
5. Käännä paineensäätönuppi halutulle paineelle. Nupin kääntäminen myötäpäivään lisää lähtöilmanpainetta. Vastapäivään kääntäminen vähentää lähtöilmanpainetta. Poista säätö painamalla painesäätimen nuppia.
6. Noudattamalla kaikkia tämän käsikirjan turvaohjeita ja ilmatyökalun valmistajan ohjeita voit nyt alkaa käyttää ilmatyökalua.

VAROITUS

Ilmatyökalujen ilmankulutus voi olla suurempi kuin mitä tämä ilmakompressorin pystyy tarjoamaan. Viittaa laitteen käsikirjaan välttyäksesi laitevaurioiden ja henkilövahinkojen vaaralta.

7. Säädä ilmavirran määrää paineensäätönupilla. Nupin kääntäminen kokonaan vastapäivään pysäyttää ilman virtaamisen.
HUOM: Käytä aina pienin määrä painetta. Tarpeellista suurempi paine kuluttaa säiliön ilmaa nopeammin ja saa yksikön kytkeytymään päälle useammin.
8. Sammuta ilmakompressorin painamalla virtakytkin asentoon OFF (O).
HUOM: Kun kompressorin on asennossa ON (I), ilmakompressorin kytkeytyy päälle automaattisesti, kun määritetty paine ilmasäiliössä laskee alle esiasetetun painerajan. Se sammuu myös uudelleen, kun haluttu paine saavutetaan.

VAROITUS

Älä koskaan ylitä ilmatyökalun valmistajan suosittelemaa painerajaa. Kun käytät tätä kompressorin ilmantäyttölaitteena, noudata aina täytettävän kohteen valmistajan enimmäistäyttöpainesta antamia ohjeita.

VAROITUS

Ennen kuin vaihdat ilmatyökaluja tai irrotat letkun ilman ulostuloaukosta, varmista aina, että käynnistyskytkin on asennossa OFF (O) ja säätimen painemittari näyttää nolaa. Muutoin seurauksena voi olla vakava loukkaantuminen.

9. Kun olet valmis, tyhjennä aina säiliö ja poista akkupakkaus. Älä koskaan jätä laitetta toimimaan ilman valvontaa tai akkupakkaus liitettyinä.

ILMASÄILIÖN TYHJENNYS

Katso sivu 198.

Kompressorin ilmasäiliö on tyhjennettävä päivittäin, siten ehkäistään säiliön korroosio ja pidetään kosteus poissa.

Ilmasäiliön tyhjentäminen:

1. Varmista, että käynnistyskytkin on asennossa OFF (O).
2. Poista akku.
3. Vedä paineenalennusventtiilin rengasta, kunnes säiliön painemittari näyttää alle 1,4 baarin (20 PSI) lukeman.
4. Vapauta rengas.
5. Poista kosteus kääntämällä tyhjennysventtiiliin vipua vastapäivään.
HUOM: Kondensaatti on saastetta, ja se on hävitettävä paikallisten säädösten mukaisesti.
6. Sulje tyhjennysventtiili kääntämällä tyhjennysventtiiliin vipua myötäpäivään.

NOLLAUSPAINIKE

Kun ilmakompressorin moottoriin menevä virta ylittää määritetyn yksikön, ilmakompressorin sammuu automaattisesti.

Ilmakompressorin nollaaminen:

1. Poista akku.
2. Sammuta laite.
3. Odota kolme minuuttia moottorin jäähtymistä.
4. Paina nollauspainiketta.
5. Liitä akkupakkaus laitteeseen.
6. Käynnistä tuote.

LIITTIMEN VAIHTAMINEN

Katso sivu 199.

1. Varmista, että käynnistyskytkin on asennossa OFF (O).
2. Poista akku.
3. Vedä paineenalennusventtiilin rengasta, kunnes säiliön painemittari näyttää alle 1,4 baarin (20 PSI) lukeman.
4. Vapauta rengas.
5. Löysää ja irrota liittin kiintoavaimella vastapäivään vääntämällä.
6. Asenna uusi liittin ja kiristä se kiintoavaimella myötäpäivään vääntämällä.

KULJETUS JA SÄILYTYS

Katso sivu 200 - 201.

1. Varmista, että käynnistyskytkin on asennossa OFF (O).
2. Poista akku.
3. Käytä ilmatyökalua, jotta ilmanpaine vapautuu letkuun, poista sen jälkeen ilmaletku ja ilmatyökalu. Vapauta ilma vetämällä paineenalennusventtiilistä.



4. Tyhjennä vesi säiliöstä osiassa "Ilmasäiliön tyhjentäminen" ohjeistetulla tavalla.
5. Pyyhi laite puhtaaksi kuivalla liinalla.
6. Kääri ilmaletku letkunkannattimiin.
7. Kanna laitetta kantokahvoista.
8. Säilytä ilmakompressoria kuivassa ja suojaosassa paikassa normaalissa käyttöasennossaan.

VAROITUS

Vesi tiivistyy ilmakompressorin säiliöön, kun kompressori on toiminnassa. Säiliöön jäänyt vesi voi heikentää ja syövyttää säiliötä, mikä lisää säiliön rikkoutumisen riskiä.

VAROITUS

Irrota ilmaletku työkaluista aina kun ne ovat käyttämättöminä tai huollossa. Huollettava työkalu voi ilmaletkuun liitettynä alkaa toimia odottamatta ja aiheuttaa vakavan henkilövahingon!

VAROITUS

Jos akkupakkausta ei poisteta ilmakompressorista ennen varastointia, kompressori voi toimia jatkuvasti, ylikuumeta, vioittaa kompressorin ja aiheuttaa tulipalon.

HUOLTO

YLEISHUOLTO

- Älä puhdista muoviosia liuottimilla. Erilaiset kaupalliset liuottimet voivat vioittaa useimpia muovityyppejä. Poista lika, pöly, öljy, rasva tms. puhtailla rievuilla.
- Älä koskaan päästä jarrunesteitä, bensiiniä, öljytuotteita, läpäiseviä öljyjä tms. kosketuksiin muoviosien kanssa. Nämä kemialliset tuotteet sisältävät aineita, jotka voivat vaurioittaa, heikentää tai tuhota muovin minkä seurauksena voi aiheutua vakavia ruumiinvammoja.
- Vapauta aina paine kokonaan, poista akkupakkaus ja anna laitteen jäähtyä kosketuslämpöiseksi ennen sen puhdistamista tai korjaamista.
- Älä muuntele tuotetta millään tavoin tai käytä muita kuin valmistajan hyväksymiä lisävarusteita. Sinun ja muiden turvallisuus saattaa vaarantua.
- Älä käytä tuotetta, jos jokin kytkin, suojus tai muu toiminto ei toimi tarkoitetulla tavalla. Palauta se valtuutettuun huoltoon ammattilaisen korjattavaksi tai säädettäväksi.
- Varmista aina ennen säätö-, voitelu- tai huoltotoimenpidettä, että akku on poistettu.
- Tarkista tuote vaurioiden ja rikkoutuneiden osien varalta ennen jokaista käyttökertaa ja niiden jälkeen. Pidä tuote huippukunnossa vaihtamalla osat välittömästi valmistajan hyväksymiin varaosiin.

VAROITUS

Jotta laite toimisi turvallisesti ja luotettavasti, kaikki korjaukset tulee antaa valtuutetun huoltopisteen hoidettavaksi.

YMPÄRISTÖNSUOJELU



Älä hävitä raaka-aineita jätteinä vaan vie ne kierrätykseen. Ympäristönsuojelun kannalta työkalu, lisäksi r usteet ja pakkausmateriaali on lajiteltava.

TUOTTEESSA OLEVAT SYMBOLIT



Turvallisuusvaroitus



Lue ohjeet huolellisesti ennen laitteen käynnistämistä.



Todistus CE-sääntöjen noudattamisesta



EurAsian-vaatimustenmukaisuusmerkki



Ukrainalainen säädöstenmukaisuusmerkintä



Käytä laitteella työskennellessäsi aina suojalaseja.



Käytä korvasuojia.



Sisäkäyttöön



Märän tilan hälytys. Älä jätä sateeseen Säilytä sisätiloissa.



Hengitysvaara. Suoraan ilmakompressorista tulevaa ilmaa ei saa koskaan saattaa ihmisten hengitettäväksi.



Halkeamisvaara. Älä aseta säädintä siten, että ulostulopaine on suurempi kuin suurimmaksi merkitty kiinnityspaine. Älä käytä 10 baaria suurempaa painetta.



Kompressori voi käynnistyä varoittamatta.



Tulipalo- tai räjähdysvaara.

Ruiskutusalueen on oltava hyvin tuuletettu. Älä tupakoi ruiskuttamisen aikana tai ruiskuta alueelle, missä on kipinöitä tai liekkejä. Pidä kompressorit mahdollisimman kaukana ruiskutusalueesta. Pidä kompressori vähintään 10 m päässä ruiskutusalueesta ja kaikista räjähdysalttiista huuruista.



Säädetty paine

- EN
- FR
- DE
- ES
- IT
- NL
- PT
- DA
- SV
- FI**
- NO
- RU
- PL
- CS
- HU
- RO
- LV
- LT
- ET
- HR
- SL
- SK
- BG
- UK
- TR
- EL





Säiliöpaine



Käytöstä poistettavia sähkölaitteita ei pidä hävittää talousjätteiden mukana. Ne on mahdollisuuksien mukaan pantava kiertoon. Kierrätysohjeita antavat kunnan viranomaiset ja vähittäiskauppiat.

KÄSIKIRJAN SYMBOLIT



Osat ja lisävarusteet on hankittava erikseen



Huom



Varoitus

Seuraavat signaalisanat ja merkitykset on tarkoitettu selittämään tähän tuotteeseen liittyviä riskin tasoja.

VAARA

Ilmoittaa välittömästä vaaratilanteesta, joka saattaa aiheuttaa kuoleman tai vakavan vamman.

VAROITUS

Ilmoittaa mahdollisesta vaaratilanteesta, joka saattaa aiheuttaa kuoleman tai vakavan vamman.

VAROITUS

Ilmoittaa mahdollisesta vaaratilanteesta, joka saattaa aiheuttaa pienen tai kohtalaisen vamman.

VAROITUS

(Ilman varoitusmerkkiä) Tilanne, joka voi aiheuttaa materiaalista vahinkoa.



Sikkerhet, ytelse og pålitelighet har hatt topp prioritet under konstruksjonen av denne luftkompressoren.

TILTENKT BRUK

Luftkompressoren er designet til å forsyne kun trykkluft. Det må ikke brukes til å komprimere noen annen gass.

Produktet er designet for å drive luftdrevne verktøy og blåse opp gjenstander med høyt trykk, slik som bildekk og sykkeldekk.

Den skal bare brukes av voksne som har lest og forstått instruksjonene og advarslene i denne håndboken, og som kan anses som ansvarlige for sine handlinger.

Produktet skal kun brukes innendørs.

Ikke bruk produktet på noe annen måte enn det som er beskrevet som tiltenkt bruk. Bruk av elektrisk verktøy på en måte det ikke var tiltenkt kan skape farlige situasjoner.

GENERELLE SIKKERHETSADVARSLER

⚠ ADVARSEL

Les alle sikkerhetsadvarslene og alle instruksjonene. Dersom man ikke holder seg til advarsler og instruksjoner kan det føre til elektrisk støt, brann og/eller alvorlig personskade.

Ta vare på alle advarsler og anvisninger for senere bruk.

⚠ ADVARSEL

Når du bruker elektrisk verktøy må visse grunnleggende forholdsregler alltid tas for å redusere risikoen for brann, elektrisk støt og personskade. Les alle instruksjonene før du gjør forsøk på å bruke produktet, og ta godt vare på disse instruksjonene.

SIKKERHET PÅ ARBEIDSMRÅDET

- Hold arbeidsområdet rent. Rotete områder og arbeidsbenker inviterer til ulykker. Ikke etterlat verktøy eller trebiter på verktøyet mens den er i bruk.
- Ikke bruk produktet i farlige miljøer. Ikke bruk elektrisk verktøy i fuktige omgivelser eller la det utsettes for regn. Hold arbeidsområdet godt opplyst.
- Hold barn og besøkende vekk. Alle besøkende må bruke beskyttelsesbriller og holdes på trygg avstand fra arbeidsområdet. Ikke la besøkende komme i kontakt med produktet under drift.
- Bruk aldri verktøyet i en eksplosiv atmosfære. Normale gnistrer fra motoren kan antenne gasser.

ELEKTRISK SIKKERHET

- Hvis en elektrisk komponent på produktet ikke skulle fungerer riktig, slå av strømbryteren, fjern batteripakken fra produktet og skift ut før driften gjenopptas.
- Ikke utsett elektrisk verktøy for regn eller høy fuktighet. Vann som trenger inn i et elektrisk verktøy vil øke faren for elektrisk støt.

PERSONLIG SIKKERHET

- Vær våken og behold kontrollen. Se hva du gjør og bruk fornuft. Ikke bruk verktøyet når du er trett. Ikke forhast deg.
- Kle deg riktig. Ikke bruk løstsittende klær, skjerf, slips eller smykker som kan bli trukket inn i de bevegelige delene. Arbeidshansker av gummi og sklisikkert fotføy anbefales når det arbeides utendørs. Bruk lue eller hatt til å dekke langt hår.
- Bruk alltid beskyttelsesbriller med sidebeskyttelse. Vanlige briller motstår bare støt rett forfra; de har IKKE sikkerhetsglass.
- Beskytt lungene dine. Bruk ansiktsskjerm eller støvmaske dersom sagingen er støvdannende.
- Beskytt hørselen din. Bruk hørselsvern ved sammenhengende langvarig bruk.
- Ikke len deg for langt frem. Sørg for godt fotfeste og god balanse til enhver tid.
- Fjern justeringsnøkler og fastnøkler. Gjør det til en vane å kontrollere at justeringsnøkler er fjernet fra verktøyet før det startes.

BRUK OG PLEIE AV LUFTKOMPRESSOR

- Ikke overskrid nominelt trykk for noen komponent i systemet.
- Beskytt materialslanger og luftslanger fra skader eller punkteringer. Hold slangen på avstand fra skarpe gjenstander, kjemikaliesøl, olje, løsemidler og våte gulv.
- Kontroller slanger for svakheter eller slitasje før hver gangs bruk, påse at alle koblinger er sikre. Ikke bruk dersom det oppdages en feil. Kjøp ny slange eller meld fra til et autorisert servicesenter for inspeksjon eller reparasjon.
- Slipp sakte ut alt trykket i systemet. Støv og avfall kan være skadelig.
- Luftkompressorer som ikke er i drift skal lagres et sted hvor barn og personer uten opplæring ikke får tilgang til det. Luftkompressorer er farlige hvis de brukes av personer uten opplæring.
- Vedlikehold luftkompressorer med forsiktighet. Følg vedlikeholdsinstruksjonene. Riktig vedlikeholdt verktøy er enklere å kontrollere.
- Kontroller for feilinnretting, at bevegelige deler løper fritt og andre forhold som kan påvirke verktøyet drift. Dersom det er skadet må produktet repareres før bruk. Mange ulykker skyldes dårlig vedlikeholdt verktøy.
- Hold utsiden av produktet tørt, ren og fri for olje og smørefett. Bruk alltid en ren klut når det skal rengjøres. Bruk aldri bremsevæske, bensin, petroleumsbaserte produkter eller sterke oppløsningsmidler for å rengjøre verktøyet. Å følge denne regelen vil redusere risikoen for svekkelse av plasten på kompressorhuset.

SERVICE

- Når vedlikehold utføres, må kun identiske reservedeler brukes. Bruk av andre deler kan skape fare eller føre til skade på produktet.

Ta vare på disse instruksjonene. Les dem regelmessig og bruk for å instruere andre brukere. Hvis du låner noen dette verktøyet, la dem også få låne brukermanualen.

EN
FR
DE
ES
IT
NL
PT
DA
SV
FI
NO
RU
PL
CS
HU
RO
LV
LT
ET
HR
SL
SK
BG
UK
TR
EL





SIKKERHETSADVARSLER FOR LUFTKOMPRESSOR

- Kjenn ditt produkt. Les bruksanvisningen nøye. Gjør deg kjent med maskinens tilbehør, utstyrets begrensninger og de potensielle farene som kan knytte seg til dette verktøyet. Du reduserer dermed faren for elektrisk støt, brann og alvorlige kroppsskader.
- Tøm lufttanken for fuktighet etter hver dags bruk. Hvis produktet ikke skal brukes på en stund, er det best å la tømmeventilen være åpen inntil neste gangs bruk. Dette vil gjøre at fuktighet tømmes helt og hjelper til med å forhindre korrosjon på innsiden av lufttanken.
- Risiko for brann eller eksplosjon. Ikke sprøyt brennbare væsker i et lukket område. Sprøyteområdet må være godt ventilert. Ikke røyk når det sprøytes eller sprøyt når det finnes gnister eller åpen flamme. Hold produktet på minst 10 m (33 fot) avstand fra spruteområdet og alle eksplosive damper.
- Fare for utblåsing. Ikke juster regulatoren for å få større utgangstrykk enn merket maksimalt trykk på utstyr. Skal ikke brukes ved høyere trykk enn 8,3 bar.
- For å redusere faren for elektrisk støt skal produktet ikke utsettes for regn. Oppbevar produktet innendørs.
- Inspiser lufttanken årlig for rust, pinnhell eller andre smådefekter som kan få produktet til å bli uttrygt.
- Det må aldri sveises på eller bores hull i lufttanken.
- Påse at slangen er fri for hindringer og skarpe bøyninger. Sammenviklet slange kan føre til tap av balanse eller fotfeste og kan utløse skade.
- Produktet skal bare brukes til det det er konstruert for. Ikke endre eller modifiser enheten fra dens opprinnelige konstruksjon eller funksjon.
- Vær klar over at misbruk og feilbruk av dette utstyret kan føre til skade på deg selv og andre.
- La aldri produktet være uten tilsyn med luftslangen festet til et verktøy.
- Pøk aldri noe luftverktøy mot deg selv eller andre.
- Ikke bruk dette verktøyet dersom det ikke har en lesbar varseletikett.
- Ikke fortsett bruken av produktet eller slangen hvis det lekker luft eller produktet ikke fungerer som det skal.
- Koble alltid fra luftforsyningen og fjern batteripakken før det foretas justeringer, service eller når produktet ikke er i bruk.
- Ikke gjør forsøk på å trekke eller bære produktet i slangen.
- Verktøyet kan kreve mer luftforbruk enn produktet er i stand til å gi.
- Følg alltid alle sikkerhetsregler som anbefales av produsenten av luftverktøyet, i tillegg til alle sikkerhetsregler for luftkompressoren. Å følge disse reglene vil redusere risikoen for alvorlig personskade.
- Rett aldri en komprimert luftstrøm mot mennesker eller dyr. Påse at du ikke blåser smuss og støv mot deg selv eller andre. Å følge disse reglene vil redusere risikoen for alvorlig personskade.
- Ikke bruk produktet til å spraye kjemikalier. Lungene dine kan ta skade av å inhalere giftig damp. En

ansiktsmaske kan være nødvendig i støvete miljøer eller når det sprøytes maling. Ikke bær når det males.

- Foretatt periodisk inspeksjon av verktøyets ledninger og slanger og, dersom du oppdager skader, sørg for å få dem utbedret ved nærmeste autoriserte serviceverksted. Vær alltid klar over hvor kabelen ligger. Du reduserer dermed faren for elektrisk støt.
- Kontroller for feilinnretting, at bevegelige deler løper fritt og andre forhold som kan påvirke verktøyets drift. Dersom det er skadet må produktet repareres for bruk. Mange ulykker skyldes dårlig vedlikeholdt verktøy.
- Når faste verneinnretninger må fjernes for periodisk vedlikehold eller reparasjon, skal festesystemene forbli påfestet verneinnretningen eller maskinen når verneinnretningene fjernes.
- Oppbevar aldri et verktøy med en luftslange tilkoblet. Oppbevaring av verktøyet mens det er tilkoblet en luftforsyning kan føre til uventet drift, avfyring og mulig alvorlig personskader.
- Beskytt lungene dine. Bruk ansiktsskjerm eller støvmaske dersom sagingen er støvdannende. Å følge disse reglene vil redusere risikoen for alvorlig personskade.
- Ta vare på disse instruksjonene. Les dem regelmessig og bruk dem for å instruere andre som kan komme til å bruke produktet. Hvis du låner noen dette verktøyet, la dem også få låne brukermanualen.
- Betjen maskinen foran kontrollpanelet.
- Når maskinen er i bruk kan mange deler av maskinen nå høye temperaturer. Bruk personlig verneutstyr der det er nødvendig, som hansker for å unngå skade fra høye temperaturer.
- Produktet skal ikke brukes av personer (inkludert barn) med redusert fysisk, sensorisk eller mental kapasitet, eller personer som mangler erfaring og kunnskaper. Barn skal være under tilsyn for å sikre at de ikke leker med produktet.

SIKKERHETSADVARSLER FOR BATTERI OG LADER

⚠ ADVARSEL

For å unngå fare for en brann forårsaket av en kortslutning, av personskader eller skader av produktet, må det forhindres at batteripakken eller laderen dyppes i væsker og også sørges for at ingen væsker kan komme inn i apparatene eller batteriene. Korroderende og ledende væsker som saltvann, visse kjemikalier og blekemidler eller produkt som inneholder blekemidler kan forårsake en kortslutning.

- **Lad bare batteriet med en batterilader som er spesifisert av produsenten.** En lader som passer til en type batteri kan skape risiko for brann dersom den brukes til en annen type batteri.
- **Elektroverktøy må bare brukes med batterier som er spesielt beregnet til dem.** Bruk av andre batterier kan medføre risiko for skade og brann.
- **Når batteripakken ikke er i bruk må den holdes vekke fra metallgjenstander som binders, mynter, nøkler,**





spiker, skruer og andre små metallgjenstander som kan forbinde terminalene med hverandre. Ikke kortslutt batteripolene, da dette kan føre til brann.

- **Under vanskelige forhold kan det unnslippe væske fra batteriet. Unngå i tilfelle kontakt. Skyll med vann hvis du vel et uhell kommer i kontakt. Søk i tillegg medisinsk hjelp hvis du får væske i øynene.** Væske som unnslipper fra batteriet, kan forårsake iritasjon eller brannskår.
- **Batteriprodukter behøver ikke å kobles til en elektrisk kontakt; derfor er de alltid klare til bruk. Vær klar over potensielle farer når du ikke bruker batteriproduktet eller når du skifter eventuelt tilbehør.** Du reduserer dermed faren for elektrisk støt, brann og alvorlige kroppsskader.
- **Plasser ikke batteriprodukter eller deres batterier nær åpen flamme eller sterk varme.** Dette vil redusere risikoen for eksplosjoner og mulige skader.
- **Ikke klem sammen, dropp eller påfør batteripakken skader. Ikke bruk en batteripakke eller en lader som har vært utsatt for fall eller et kraftig slag.** Et skadet batteri kan eksplodere. Sørg for umiddelbar og forsvarlig avhending av batterier som har falt i gulvet eller vært påført skade.
- **Batterier kan eksplodere dersom det finnes en antenningskilde, som for eksempel en pilotflamme.** For å redusere risikoen for alvorlig personskade bruk aldri noen form for trådløse produkter når det finnes en åpen flamme i nærheten. Et batteri som eksplodere kan slynge ut materialer og kjemikalier. Hvis man får kjemikalier på huden, sørg for umiddelbar skylling med vann.
- **Ikke lad batteridrevet utstyr på fuktige eller våte steder.** Du reduserer dermed faren for elektrisk støt.
- **For de beste resultatene skal batteriproduktet lades på et sted der temperaturen er høyere enn 10, men lavere enn 38 °C. For å redusere faren for personskade unngå lagring utenfor eller i kjøretøy.**
- **Under ekstreme bruks- eller temperaturforhold kan det oppstå lekkasje fra batteriet. Hvis du får hudkontakt med batterivæske, vask umiddelbart med såpe og vann. Hvis væske kommer inn i øynene må de skylles med store mengder rent vann i minst 10 minutter, dernest må lege oppsøkes.** Å følge disse reglene vil redusere risikoen for alvorlig personskade.
- **Ikke bruk et batteri som er skadet eller modifisert.** Batterier som er skadd eller endret, kan oppføre seg uforutsigbart, noe som kan føre til brann, eksplosjon og personskade.
- **Ikke modifiser eller gjør forsøk på å reparere en batteripakke som har blitt skadet.**
- **Ikke utsett batteriet eller verktøyet for ild eller høy temperatur.** Eksponering for brann eller temperatur over 130°C kan føre til eksplosjon.
- **Alle ladeinstruksjoner må følges. Ikke lad batteriet eller verktøyet hvis omgivelsestemperaturen er utenfor området som er angitt i bruksanvisningen.** Feil lading eller lading ved temperaturer utenfor det angitte området kan ødelegge batteriet og øke risikoen for brann.

TRANSPORTERE LITUM-BATTERIER

Transporter batteriet i samsvar med lokale og nasjonale forskrifter og bestemmelser.

Følg alle spesielle krav når det gjelder pakking og merking når tredje part skal transportere batteriene. Pass på at batteriene ikke kan komme i kontakt med andre batterier eller ledende materialer når de transporteres ved at du beskytter åpne koblinger med isolerende, ikkeledende hett eller tape. Ikke transportert batterier som har sprekker eller lekket. Sjekk med transportfirmaet for ytterligere råd.

BATTERIER

Batteripakker som ikke har vært brukt på en stund bør lades opp før du bruker dem.

Temperaturer over 50°C reduserer batteripakkens ytelse. Produktet må ikke utsettes for varme eller solskinn (fare for overoppheting).

Kontaktene til ladere og batteripakker må holdes rene.

Batteripakkene må lades helt opp etter bruk hvis du ønsker at de skal vare lengst mulig.

Fjern batteripakken fra laderen når det er fulladet, sånn at det varer lengst mulig.

For batteripakkelagring som er lengre enn 30 dager:

- Oppbevar batteripakken der temperaturen er under 27 °C og på avstand fra fuktighet.
- Oppbevar batteripakken ei en 30-50 % ladet tilstand.
- Etter hver sjetten måned med lagring skal pakken lades som vanlig.

BESKYTTELSE AV BATTERIPAKKEN

Batteripakken har overbelastningsvern for å beskytte den mot overbelastning og hjelper til med å sikre en lang levetid. Under ekstrem belastning slår batterielektronikken av produktet automatisk. For å starte på nytt, slå av produktet og deretter på igjen. Hvis produktet ikke starter opp igjen, kan det hende at batteripakken kan ha ladet helt ut. I dette tilfellet må den lades på nytt i batteriladeren.

GJENVÆRENDE RISIKO

Også når produktet brukes som beskrevet, er det ikke mulig å utelukke risiko for brukere eller personer i nærheten. Følgende farer kan oppstå ved bruk og operasjonen bør være spesielt oppmerksom på å unngå/sikre følgende:

- Produktet skal bare brukes til det det er konstruert for. Ikke endre eller modifiser enheten fra dens opprinnelige konstruksjon eller funksjon.
- Vær klar over at misbruk og feilbruk av dette utstyret kan føre til skade på deg selv og andre.
- La aldri produktet være uten tilsyn med slangen festet til et verktøy.
- Ikke fortsett bruken av produktet eller slangen hvis det lekker luft eller produktet ikke fungerer som det skal.
- Fare for utblåsing

EN
FR
DE
ES
IT
NL
PT
DA
SV
FI
NO
RU
PL
CS
HU
RO
LV
LT
ET
HR
SL
SK
BG
UK
TR
EL





- Ikke juster regulatoren for å få større utgangstrykk enn merket maksimalt trykk på utstyr.
- Varme og høye temperaturer genereres mens motoren og sylindren er i drift. Berøring av eksponert metall kan føre til alvorlige forbrenninger.
 - Hold alltid luftkompressoren på avstand fra arbeidssonene.
- Personskader pga. støy
 - Bruk hørselsvern.
- Gassen fra luftkompressoren kan propellere smuss, chips, løse partikler og små gjenstander ved høy hastighet. Dette kan føre til at gjenstander slynges inn i øyne eller til andre mulige alvorlige personskader.
 - Bruk alltid riktig personlig verneutstyr ved drift av ulike verktøy.

KJENN DITT PRODUKT

Se side 195.

1. Slangepakningsbraketter
2. Hurtigkobling
3. PCL hannkobling 1/4" BSP med høy flow
4. Tanktrykkmåler
5. Trykkregulator
6. Trykkreguleringsmåler
7. Bærehåndtak
8. Sikkerhetsventil
9. Av/På-bryter
10. Batteripakke
11. Tømmeventil
12. Tilbakestillingsknapp

OPPAKKING

Sjekk verktøyet grundig for å sjekke at det ikke er brekkasje eller skade som kan ha skjedd i løpet av shipping.

Kast ikke pakkematerialet før du forsiktig inspirert og brukt verktøyet skikkelig.

⚠ ADVARSEL

Hvis noen av delene er skadd eller mangler, bruk ikke produktet før delene er erstattet. Bruk av dette produktet med skadde eller manglende deler kan føre til alvorlig personskade.

⚠ ADVARSEL

Ikke gjør forsøk på å endre dette verktøyet eller lage tilbehør som ikke er anbefalt brukt sammen med verktøyet. Enhver slik endring eller modifikasjon regnes som misbruk og kan føre til farlige situasjoner som kan ha alvorlige personskader til følge.

⚠ ADVARSEL

For å forhindre utilsikket oppstart som kunne forårsake alvorlig personskade, fjern alltid batteripakken fra produktet ved montering av deler.

BRUK

KLARGJØRING

Koble til/fra en luftslange

Se side 196.

NB: For drift ved bruk av trykk over 7 bar, (102 psi) skal forsynings slangene monteres med en sikkerhetsnor, f.eks. ståltau.

1. Se til at på/av-bryteren er i stillingen AV (O) og at batteripakken er frakoblet.
2. Trekk trykkregulatoren utover for å aktivere justering. Roter trykkregulatorbryteren helt mot klokka.
3. Bekreft at utløpstrykket er 0 bar.
4. Fest en luftslange med en kobling til 6,35 mm (1/4 in.) hurtigkobling på luftkompressoren. Se til at du skyver tilkoblingen helt inn i koblingen inntil hylsen på koblingen hopper fremover for å låse tilkoblingen på plass.

For å koble fra en luftslange eller et luftverktøy:

1. Trekk trykkregulatoren utover for å aktivere justering. Roter trykkregulatorbryteren helt mot klokka.
2. Bekreft at utløpstrykket er 0 bar.
3. Trekk tilbake utløserhylsen på den 6,35 mm hurtigkoblingen. Med et fast grep, trekk ut slangetilkoblingen som er festet til hurtigkoblingen.

Tilkobling/fjerning av en batteripakke

1. Se til at på/av-bryteren er i stillingen AV (O).
2. Sett en batteripakke inn i batteriporten.
3. Kontroller at klikklåsene på hver side av batteripakken klikker på plass og at batteripakken er sikret i produktet før du starter å bruke det.
4. Trykk inn sperrehakene for å fjerne batteripakken
5. For fullstendige ladeinstruksjoner se operatørens håndbøker for batteripakken og laderen.

BRUK AV LUFTKOMPRESSOREN

⚠ FARE

Ikke demonter tanktømmeventilene eller sikkerhetsventilen med luft i lufttanken. Frigi luften fra lufttanken. Hvis du ikke avlaster trykket i lufttanken, kan det føre til eksplosjon og/eller alvorlig personskade.

⚠ ADVARSEL

Bruk alltid beskyttelsesbriller med sidebeskyttelse. Hvis dette ikke følges kan det føre til at fremmedlegemer kastes inn i øynene dine med påfølgende alvorlige øyenskader.

⚠ ADVARSEL

Bruk ikke andre deler eller tilbehør enn de som anbefales av fabrikanten til dette verktøyet. Bruken av deler eller tilbehør som ikke anbefales kan føre til alvorlig personskade.





⚠ ADVARSEL

Ikke tilknytt noe verktøy til den åpne enden av slangen før oppstarten er fullført.

⚠ ADVARSEL

Fjern alltid batteripakken fra verktøyet når du monterer deler, foretar justeringer, rengjør eller når verktøyet ikke er i bruk. Å fjerne batteripakken vil hindre utilsiktet start av drillen som kan føre til alvorlig personskade.

⚠ ADVARSEL

Ikke bruk i et område med mye støv eller som på annen måte er forurenset. Bruk av luftkompressoren i denne typen miljø kan forårsake skade på produktet.

Justere lufttrykket

Se side 197.

1. Se til at på/av-bryteren er i stillingen AV (O) og at batteripakken er fjernet.
2. Koble batteripakken til produktet.
3. Trykk på/av-bryteren til PA-posisjon (I).
4. Trekk trykkregulatoren utover for å aktivere justering.
5. Vri trykkregulatorbryteren til ønsket trykk. Å dreie hjulet mot høyre øker lufttrykket ved uttaket. Ved å dreie til venstre reduseres lufttrykket ved uttaket. Trykk trykkregulatorbryteren for å deaktivere justering.
6. Ved å følge alle sikkerhetsforholdsregler i denne håndboken og produsentens anvisninger i luftverktøyet håndbok kan du nå begynne med å bruke det luftdrevne verktøyet.

⚠ ADVARSEL

Luftdrevne verktøy kan kreve mer luftforbruk enn denne luftkompressoren er i stand til å gi. Kontroller brukermanualen for å unngå skader på utstyret og risiko for personskade.

7. Kontroller luftstrømmen med trykkregulatorhjulet. Hvis du dreier bryteren helt mot klokka, vil dette stoppe luftstrømmen fullstendig.

NB: Bruk alltid minste trykk som er nødvendig for å drive verktøyet. Bruk av høyere trykk enn nødvendig vil tømme tanken hurtigere for luft og føre til at enheten vil måtte arbeide mer.

8. For å slå av luftkompressoren, trykk strømbryteren til AV-posisjon (O).

NB: Når kompressoren er i PA-posisjon (I), vil luftkompressoren automatisk slå seg på når det tilordnede tanklufttrykket faller under forhåndsinnstilt trykkgrense. Den vil også slå seg av igjen når det ønskede lufttrykket er nådd.

⚠ ADVARSEL

Overskrid aldri luftverktøyet's nominelle trykk slik som anbefalt av produsenten. Ved bruk av luftkompressoren som en fyllenhet, følg alltid retningslinjene vedrørende maksimal luftfylling som er angitt av produsenten av den gjenstanden som fylles.

⚠ ADVARSEL

Se alltid til at på/av-bryteren er i AV-posisjon (O) og at regulatortrykkmåleren er på null før utskiftning av luftverktøy eller frakobling av slangen fra luftpunktet. Å unnlate å gjøre det kan føre til alvorlig personskade.

9. Hvis ferdig, tøm alltid tanken og fjern batteripakken. Forlat aldri produktet i drift eller koblet til batteripakken.

TØMME LUFTTANKEN

Se side 198.

For å forhindre tankkorrosjon og holde fuktighet ute fra luftpunktet, skal luftpunktet til kompressoren tømmes daglig.

For å tømme luftpunktet:

1. Se til at på/av-bryteren er i stillingen AV (O).
 2. Fjern batteripakken.
 3. Trekk ringen på trykkavlastningsventilen inntil måleren viser mindre enn 1,4 bar (20 PSI).
 4. Slipp ringen.
 5. Vri tømmeventilspaken mot klokka for å tømme ut fuktigheten.
- NB:** Kondens er et forurensende materiale som må avhendes i henhold til lokale avfallsforskrifter.
6. Vri tømmeventilspaken med klokka for å lukke tømmeventilen.

TILBAKESTILLINGSKNAPP

Når strømmen til luftkompressormotoren overskrider den spesifiserte enheten, vil luftkompressoren automatisk slå seg av.

For å tilbakestille luftkompressoren:

1. Fjern batteripakken.
2. Slå av verktøyet.
3. Vent i tre minutter på at motoren skal kjøle seg ned.
4. Trykk inn tilbakestillingsknappen.
5. Koble batteripakken til produktet.
6. Slå på produktet.

SKIFTE EN KOBLINGSENHET

Se side 199.

1. Se til at på/av-bryteren er i stillingen AV (O).
2. Fjern batteripakken.
3. Trekk ringen på trykkavlastningsventilen inntil måleren viser mindre enn 1,4 bar (20 PSI).
4. Slipp ringen.
5. Ved bruk av en nøkkel, løsne og fjern koblingsenheten ved å dreie mot klokka.
6. Bruk en skrunøkkel, installer den nye koblingsenheten og trekk til med klokka.

EN
FR
DE
ES
IT
NL
PT
DA
SV
FI
RU
NO
PL
CS
HU
RO
LV
LT
ET
HR
SL
SK
BG
UK
TR
EL





VEDLIKEHOLD OG OPPBEVARING

Se side 200 - 201.

1. Se til at på/av-bryterne er i stillingen AV (O).
2. Fjern batteripakken.
3. Kjør luftverktøyet for å frigi lufttrykket i slangen, fjern deretter luftslangen og luftverktøyet. Frigi luften ved å trekke i trykkavlastningsventilen.
4. Tøm vann fra tanken, slik som anvist i avsnittet "Tømme lufttanken".
5. Rengjør produktet med en tørr klut.
6. Pakk luftslangen rundt slangepakningsbrakettene.
7. Bær produktet etter bærehåndtaket.
8. Oppbevar luftkompressoren i normal driftsposisjon på et tørt og beskyttet område.

⚠ ADVARSEL

Vann vil kondensere i luftkompressortanken når kompressoren er i drift. Vann som er igjen på tanken, kan få tanken til å svekkes og korrodere, slik at risikoen for at tanken sprekker øker.

⚠ ADVARSEL

Koble alltid luftslangen fra verktøyene når de ikke er i bruk eller når det utføres service. I løpet av vedlikehold kan et verktøy som er tilkoblet luftslangen kobles inn utilsikket og forårsake alvorlige personskader!

⚠ ADVARSEL

Hvis batteripakken ikke fjernes fra luftkompressoren før lagring, kan det føre til at kompressoren fortsetter å gå kontinuerlig slik at det forårsakes overoppheting, skade på kompressoren og muligens brann.

VEDLIKEHOLD

GENERELT VEDLIKEHOLD

- Unngå bruk av løsemidler når du rengjør plastdelene. De fleste plasttyper er sårbare for forskjellige typer løsemidler i handelen og kan skades dersom de brukes. Bruk rene kluter til å fjerne skitt, støv, olje og fett osv.
- Du må aldri la bremsevæske, drivstoff, petroleumbaserte produkter, rustopløsende olje osv. komme i kontakt med plastikkdeler. Slike kjemiske produkter inneholder stoffer som kan skade, svekke eller ødelegge platen, noe som kan medføre alvorlige kroppsskader.
- Frigi alltid alt trykk, fjern batteripakken og la produktet kjøles ned tilstrekkelig til å berøre det før det rengjøres eller det foretas reparasjoner på produktet.
- Ikke modifier produktet på noen måte eller bruk tilbehør som ikke er godkjent av produsenten. Din og andres sikkerhet vil kunne påvirkes negativt.
- Ikke bruk produktet hvis noen av bryterne, beskyttelsesutstyret eller andre funksjoner ikke virker som de skal. Oppsøk et autorisert servicesenter for profesjonelle reparasjoner eller justeringer.

- Pass alltid på at batteriet er fjernet fra sagen før du justerer, smører eller vedlikeholder sagen.
- Før og etter hver gangs bruk må produktet inspiseres for skader eller ødelagte deler. Hold produktet i topp stand ved umiddelbart å erstatte deler med reservedeler som er godkjent av produsenten.

⚠ ADVARSEL

For ødre sikkerhet og pålitelighet skal alle reparasjoner utføres av et autorisert verksted.

MILJØVERN



Resirkuler råmaterialer istedenfor å kaste dem i søppelen. Verktøyet, tilbehørene og emballasjen bør sorteres for miljøvennlig resirkulering.

SYMBOLER PÅ PRODUKTET



Sikkerhetsadvarsel



Vennligst les instruksjonene nøye før du starter maskinen.



CE samsvarserklæring



EurAsian Konformitetstegn



Ukrainsk merke for konformitet



Bruk alltid vernebrille når du arbeider med maskinen.



Bruk hørselsvern.



Innendørs bruk



Varsling om våte betingelser. Ikke utsett utstyret for regn Oppbevaring innendørs.



Risiko ved inhalering. Luft som tas direkte fra luftkompressoren skal aldri brukes til å frisyne luft til bruk av mennesker.



Fare for utblåsing. Ikke juster regulatoren for å få større utgangstrykk enn merket maksimalt trykk på utstyr. Skal ikke brukes ved høyere trykk enn 10 bar.





Denne kompressoren kan starte uten advarsel.



Risiko for brann eller eksplosjon. Sprøyteområdet må være godt ventilert. Ikke røyk når det sprøytes eller sprøyt når det finnes gnister eller åpen flamme. Hold kompressoren så langt vekk fra sprøyteområdet som mulig. Hold kompressoren minst 10 m vekk fra sprøyteområdet og alle eksplosive væsker og gasser.



Regulert trykk



Frigi tanktrykk



Avfall fra elektriske produkter skal ikke kastes sammen med husholdningsavfall. Vennligst resirkulere vedeksisterende avfallsbehandlingssted. Undersøk hos dine lokale myndigheter eller forhandler for råd om resirkulering.

SYMBOLER I MANUALEN



Deler eller tilbehør solgt separat



Nb



Advarsel

Følgende symboler og betydninger forklarer risikonivået som er assosiert med dette produktet.

FARE

Indikerer en umiddelbart farlig situasjon, som, dersom den ikke unngås, kan føre til alvorlig personskade eller død.

ADVARSEL

Indikerer en potensiell farlig situasjon, som, dersom den ikke unngås, kan føre til alvorlig personskade eller død.

ADVARSEL

Indikerer en potensiell farlig situasjon, som, dersom den ikke unngås, kan føre til mindre eller moderate skader.

ADVARSEL

(Uten sikkerhetssymbol) Indikerer en situasjon som kan resultere i skader på eiendom.



В основе конструкции вашего воздушного компрессора лежат принципы безопасности, продуктивности и надежности.

НАЗНАЧЕНИЕ

Воздушный компрессор предназначен только для подачи сжатого воздуха. Запрещается использовать его для сжатия любого другого газа.

Изделие предназначено для работы с пневматическими инструментами и накачивания изделий высокого давления, таких как как автомобильные и велосипедные шины.

Изделие предназначено только для использования взрослыми, изучившими все инструкции и предостережения настоящего руководства и несущими ответственность за свои действия.

Изделие может использоваться только в помещениях.

Используйте устройство строго по назначению, указанному в настоящем руководстве. Использование данного электроинструмента не по назначению может создать опасную ситуацию.

ОБЩИЕ ПРАВИЛА БЕЗОПАСНОСТИ

⚠ ОСТОРОЖНО

Прочтите все указания и инструкции по технике безопасности. Несоблюдение предостережений и инструкций может привести к поражению электрическим током, возгоранию и/или серьезным травмам.

Сохраните все предупреждения и инструкции для дальнейшего использования.

⚠ ОСТОРОЖНО

При использовании электрических инструментов следует соблюдать основные правила технической безопасности для снижения опасности возгорания, поражения электрическим током и получения травм. Перед использованием инструмента прочитайте все инструкции и сохраните их для использования в будущем.

БЕЗОПАСНОСТЬ НА РАБОЧЕМ МЕСТЕ

- Поддерживайте чистоту на рабочем участке. Загромождение различных участков и верстаков может стать причиной несчастного случая. Не оставляйте инструментов и кусков дерева около устройства во время его работы.
- Использование изделия в опасных условиях не допускается. Не используйте инструменты во влажных или сырых местах, а также под дождем. Позаботьтесь о хорошем освещении рабочего участка.
- Не подпускайте детей и посторонних лиц. Всем лицам, осматривающим устройство, необходимо надевать защитные очки и находиться на безопасном расстоянии от рабочего участка.

Не допускайте посетителей к изделию во время эксплуатации.

- Запрещается работать во взрывоопасной среде. Обычное искрение двигателя может стать причиной воспламенения.

ЭЛЕКТРОБЕЗОПАСНОСТЬ

- При возникновении сбоя в любом из электрических компонентов изделия нажмите на выключатель, извлеките аккумуляторный блок из изделия и установите на место перед возобновлением работы.
- Не оставляйте электроинструменты под дождем или в условиях повышенной влажности. Попавшая внутрь электроинструмента вода увеличивает опасность поражения электрическим током.

ЛИЧНАЯ БЕЗОПАСНОСТЬ

- Соблюдайте осторожность и осуществляйте контроль. Будьте внимательны во время работы и руководствуйтесь здравым смыслом. Не пользуйтесь инструментом, если устали. Не торопитесь.
- Одевайтесь соответствующим образом. Не надевайте свободную одежду, галстуки или украшения, которые могут попасть во вращающиеся детали и затянуть вас в них. При работе на открытом воздухе рекомендуется надевать резиновые перчатки и нескользящую обувь. Воспользуйтесь защитным головным покрытием, чтобы прикрыть длинные волосы.
- Всегда надевайте защитные очки с боковыми щитками. Линзы обычных очков могут быть ударопрочными, но такие очки НЕ являются защитными.
- Предохраняйте легкие. При пыльных работах также пользуйтесь защитным забралом и респиратором.
- Предохраняйте органы слуха. При длительной работе с устройством надевайте средства защиты органов слуха.
- Не прикладывайте чрезмерных усилий. Старайтесь сохранять устойчивость и подыскивайте твердую опору.
- Удалите ключи для выполнения настройки и регулировки. Возьмите себе за правило проверять перед включением инструмента отсутствие на нем гаечных и регулировочных ключей.

ПОРЯДОК ЭКСПЛУАТАЦИИ И ОБСЛУЖИВАНИЯ КОМПРЕССОРА

- Запрещается устанавливать давление, превышающее номинальное значение давления для любого компонента системы.
- Предохраняйте линии подачи материала и воздуха от повреждения и проколов. Не допускайте контакта шланга с острыми объектами, химикатами, маслом и мокрыми напольными поверхностями.
- Перед каждым использованием проверяйте закрепление и степень износа шлангов, при





необходимости затягивая ослабшие соединения. Запрещается использовать шланги в случае обнаружения в них дефектов. Приобретите новый шланг или обратитесь в авторизованный сервисный центр для его проверки или ремонта.

- Медленно уменьшите давление во всей системе. Вылетающие пыль и мусор могут привести к травмированию.
- Храните компрессоры в недоступном для детей и взрослых, не владеющих навыками работы с ним. В руках необученного пользователя воздушный компрессор может представлять угрозу.
- Обеспечьте надлежащий уход за воздушным компрессором. Следуйте инструкциям по техническому обслуживанию. При надлежащем техническом обслуживании инструментов ими легче управлять.
- Проверьте инструмент на предмет наличия перекоса или заклинивания движущихся частей, дефектов компонентов или наличия иных условий, которые могут отразиться на его работе. При повреждении изделия перед его дальнейшим использованием следует выполнить техническое обслуживание. Большое количество несчастных случаев происходит из-за ненадлежащего технического обслуживания изделий.
- Поддерживайте поверхность изделия в сухом, чистом виде, без следов масла и смазки. Для чистки устройства используйте протирочную тряпку. Запрещается использовать для чистки устройства тормозные жидкости, бензин, нефтепродукты и активные растворители. Следуйте этому указанию, чтобы уменьшить опасность повреждения пластмассового покрытия корпуса.

ОБСЛУЖИВАНИЕ

- При проведении текущего ремонта используйте только идентичные запчасти. Использование других запчастей может представлять опасность или повредить изделия.

Сохраните данные инструкции. Чаще обращайтесь к ним и используйте для инструктажа других пользователей. Если вы временно передаете кому-либо данный инструмент, передайте вместе с ним и данные инструкции.

ТРЕБОВАНИЯ ТЕХНИКИ БЕЗОПАСНОСТИ ПРИ РАБОТЕ С ВОЗДУШНЫМ КОМПРЕССОРОМ

- Изучите изделие. Внимательно прочтите настоящее руководство по эксплуатации. Изучите сферы применения устройства и ограничения, а также потенциально опасные ситуации, которые могут возникнуть при работе с ним. Таким образом, можно избежать удара током, пожара и тяжелых травм.
- Ежедневно, по завершении работы осушайте воздушный резервуар. При продолжительном простое изделия рекомендуется оставлять сливной клапан открытым. Это полностью выведет влагу и не допустит образование коррозии внутри резервуара.

- Опасность возгорания или взрыва. Запрещается производить распыление легковоспламеняющихся жидкостей в замкнутом пространстве. Зона распыления должна хорошо проветриваться. Запрещается курить во время распыления краски или производить распыление при образовании в непосредственной близости искр или наличии пламени. Держите изделие на расстоянии не менее 10 м (33 фута) от области распыления и любых взрывоопасных паров.
- Опасность взрыва. Запрещается выставлять давление выше максимального значения, предусмотренного для насадки. Не применяйте давление выше 8,3 бар.
- В целях снижения риска поражения электрическим током запрещается оставлять изделие под дождем. Храните изделие в помещении.
- Проводите ежегодный осмотр воздушного резервуара на предмет ржавчины, пробоев и других недостатков, которые могут повлиять на его безопасность.
- Запрещается сверлить отверстия в ресивере или прожигать их с помощью сварки.
- Проследите, чтобы шланг нигде не был зажат или сдавлен. Запутавшиеся шланги могут привести к потере равновесия и устойчивости во время работы, и тогда на них можно наступить, что приведет к их повреждению.
- Используйте изделие только по назначению. Запрещается вносить изменения в оригинальную конструкцию агрегата или модифицировать ее.
- Всегда помните о том, что неправильное использование или ненадлежащее обслуживание данного агрегата может привести к травмированию не только самого оператора, но и окружающих лиц.
- Запрещается оставлять изделие без присмотра с воздушным шлангом, подсоединенным к инструменту.
- Запрещается направлять пневматический инструмент на себя или окружающих.
- Запрещается использовать агрегат, если на нем нет разборчивой предупредительной наклейки.
- Прекратите использование изделия или шланга при обнаружении утечки воздуха или ненадлежащей работы.
- Всегда отсоединяйте источник воздуха и извлекайте аккумулятор перед настройкой, обслуживанием изделия, а также на время простоя.
- Не тяните и не перетаскивайте устройство за шланг.
- Вашему инструменту может понадобиться больший объем воздуха, чем способно обеспечить изделие.
- Соблюдайте все правила техники безопасности, рекомендованные производителем пневматического инструмента, наряду со всеми правилами техники безопасности, применимыми к воздушному компрессору. Соблюдение этого указания поможет предотвратить получение тяжелых телесных повреждений.





- Никогда не направляйте струю сжатого воздуха на людей или животных. Ни в коем случае не выдувайте пыль и грязь на себя или других лиц. Соблюдение этого указания поможет предотвратить получение тяжелых телесных повреждений.
- Использование изделия для распыления химикатов не допускается. В результате вдыхания токсичных газов может произойти серьезное повреждение легких. В условиях повышенной запыленности и при распылении краски может потребоваться использовать респиратор. Запрещается перемещать агрегат во время окрашивания.
- Регулярно проверяйте кабель и шланги агрегата и в случае их повреждения обратитесь в ближайший авторизованный сервисный центр для выполнения ремонта. Всегда следите за положением сетевого шнура. Избегайте ударов током!
- Проверьте инструмент на предмет наличия перекоса или заклинивания движущихся частей, дефектов компонентов или наличия иных условий, которые могут отразиться на его работе. При повреждении изделия перед его дальнейшим использованием следует выполнить техническое обслуживание. Большое количество несчастных случаев происходит из-за ненадлежащего технического обслуживания изделий.
- При снятии защитных ограничителей для технического обслуживания и ремонта крепёжные элементы должны оставаться подсоединёнными к защитным ограничителям или оборудованию.
- Запрещается хранить инструмент с подсоединённым воздушным шлангом. Хранение инструмента подсоединённым к источнику воздуха может привести к непреднамеренному запуску, срабатыванию или смещению и, как следствие, к травме.
- Предохраняйте легкие. При пыльных работах также пользуйтесь защитным забралом и респиратором. Соблюдение этого указания поможет предотвратить получение тяжелых телесных повреждений.
- Сохраните данные инструкции. Чаще обращайтесь к ним и используйте для инструктажа других возможных пользователей прибора. Если вы временно передаете кому-либо данный инструмент, передайте вместе с ним и данные инструкции.
- Управление компрессором осуществляется с передней стороны пульта управления.
- Во время работы агрегата многие его детали могут сильно нагреваться. Используйте необходимые индивидуальные средства защиты, например перчатки, чтобы предотвратить травмирование вследствие высокой температуры.
- Инструмент не предназначен для использования людьми (в том числе несовершеннолетними) с ограниченными физическими, сенсорными или умственными способностями или с недостатком опыта или знаний. Следите за тем, чтобы дети не играли с изделием.

ПРЕДОСТЕРЕЖЕНИЯ ОТНОСИТЕЛЬНО БЕЗОПАСНОГО ИСПОЛЬЗОВАНИЯ АККУМУЛЯТОРА И ЗАРЯДНОГО УСТРОЙСТВА

⚠ ОСТОРОЖНО

Для предотвращения опасности пожара в результате короткого замыкания, травм и повреждения изделия не опускайте инструмент, сменный аккумулятор или зарядное устройство в жидкости и не допускайте попадания жидкости внутрь устройств или аккумуляторов. Коррозионные и проводящие жидкости, такие как соленый раствор, определенные химикаты, отбеливающие средства или содержащие их продукты, могут привести к короткому замыканию.

- **Заряжать аккумуляторы можно только зарядным устройством, разрешенным производителем инструмента.** Зарядное устройство, подходящее только для одного типа батарей, может создать опасность пожара при использовании для зарядки батарей иного типа.
- **В электроинструментах следует устанавливать аккумуляторные блоки, имеющие подходящую маркировку.** При использовании других аккумуляторных блоков возрастает риск пожара и получения травмы.
- **Когда батареи не используются, держите их вдали от металлических предметов, таких как зажимы, монеты, ключи, гвозди, винты или иные небольшие металлические предметы, которые могут создать контакт между полюсами.** Короткое замыкание на контактах аккумулятора может стать причиной пожара.
- **При неблагоприятных условиях из аккумулятора может вытечь жидкость; избегайте контакта с такой жидкостью.** При случайном контакте промойте место воздействия водой. При попадании жидкости в глаза промойте их водой и обратитесь к врачу. Аккумуляторная жидкость может вызвать раздражение кожи и слизистых оболочек или ожоги.
- **Батареи не требуется подключать к сети питания, поэтому они всегда находятся в рабочем состоянии. Не забывайте о возможных опасностях, которые могут возникнуть, если аккумуляторные батареи не используются продолжительное время или при их зарядке.** Таким образом, можно избежать удара током, пожара и тяжелых травм.
- **Не размещайте батареи рядом с источниками огня или тепла.** Это предотвратит опасность взрыва и телесных повреждений.
- **Не разрушайте, не роняйте и не повреждайте аккумуляторную батарею. Не используйте аккумуляторную батарею или зарядное устройство, которые случайно упали или подверглись сильному удару.** Поврежденная аккумуляторная батарея может взорваться. Сразу же надлежащим образом утилизируйте упавшую или поврежденную аккумуляторную батарею.





EN
FR
DE
ES
IT
NL
PT
DA
SV
FI
NO
RU
PL
CS
HU
RO
LV
LT
ET
HR
SL
SK
BG
UK
TR
EL

- **Батареи могут взорваться при наличии источника искрения, например, индикаторной лампы.** Во избежание тяжелых телесных повреждений не пользуйтесь беспроводными устройствами вблизи источников открытого огня. При взрыве батареи может произойти выброс осколков и химикалий. При взрыве аккумуляторной батареи немедленно залейте ее водой.
- **Не заряжайте аккумуляторную батарею в условиях повышенной влажности или сырости.** Таким образом, можно избежать удара током.
- **Для получения оптимальных результатов, аккумулятор следует заряжать при температуре от 10 °C до 38 °C.** В целях снижения риска получения серьезной травмы запрещается хранить изделие вне помещений и в транспортных средствах.
- **При использовании в экстремальных условиях или при экстремальных температурах батарейки могут протечь.** Если жидкость попадет на вашу кожу, промойте ее немедленно мылом и водой. При попадании жидкости в глаза промойте их чистой водой не менее 10 минут, а затем обратитесь за медицинской помощью. Соблюдение этого указания поможет предотвратить получение тяжелых телесных повреждений.
- **Использование поврежденного или модифицированного аккумулятора не допускается.** Поврежденные или модифицированные аккумуляторы могут работать непредсказуемо и стать причиной пожара, взрыва или травмы.
- **Запрещается модифицировать и ремонтировать поврежденный аккумуляторный блок.**
- **Запрещается подвергать аккумуляторный блок и инструмент воздействию огня и высокой температуры.** Воздействие огня или температуры выше 130 °C может привести к взрыву.
- **Заряжайте аккумуляторные блоки и инструмент в соответствии с инструкцией, не подвергая их при этом воздействию температур вне диапазона, указанного в инструкции.** Зарядка без соблюдения инструкции или при воздействии температур вне предусмотренного диапазона может привести к повреждению аккумулятора и повысить риск возгорания.

ТРАНСПОРТИРОВКА ЛИТиеВЫХ БАТАРЕЙ

Транспортируйте аккумуляторную батарею в соответствии с местными и государственными правилами и положениями.

При транспортировке батарей третьей стороной соблюдайте все специальные требования по упаковке и маркировке. Проверьте, чтобы аккумуляторные батареи не вступали в контакт с другими батареями или проводимыми материалами при транспортировке, для этого защитите оголенные разъемы изоляцией, изолирующими колпачками или лентами. Не переносите батареи с повреждениями или утечками. За дальнейшими консультациями обратитесь в транспортно-экспедиционную компанию.

АККУМУЛЯТОРЫ

Аккумуляторные блоки, которые не использовались какое-то время, перед началом эксплуатации необходимо зарядить.

При температуре свыше 50 °C (122 °F) производительность аккумуляторного блока снижается. Не допускайте длительного воздействия жары или солнечных лучей (риск перегрева).

Контакты зарядных устройств и аккумуляторных блоков должны сохраняться в чистоте.

Для обеспечения оптимального срока службы после использования изделия аккумуляторные блоки необходимо полностью заряжать

Для обеспечения максимального срока службы аккумуляторного блока после каждой зарядки извлекайте его из зарядного устройства.

При хранении аккумуляторного блока более 30 дней:

- Храните аккумуляторный блок в сухом месте при температуре до 27 °C.
- Храните аккумуляторный блок с зарядом 30%-50%.
- Через каждые шесть месяцев хранения заряжайте блок в нормальном режиме.

ЗАЩИТА АККУМУЛЯТОРНОГО БЛОКА

Аккумуляторный блок оснащен защитой от перегрузки, препятствующей перегрузке и продляющий его срок службы. При резком увеличении нагрузки электроника отключает аккумулятор автоматически. Чтобы перезагрузить изделие, выключите и повторно включите его. Если изделие не запустится, возможно, аккумуляторный блок полностью разряжен. В этом случае его необходимо зарядить с помощью зарядного устройства.

ОСТАТОЧНЫЕ РИСКИ

Даже когда изделие используют согласно инструкциям, невозможно полностью устранить факторы риска. Следующие опасности могут возникнуть во время его использования, и во избежание их рабочий должен обратить особое внимание на следующее:

- Используйте изделие только по назначению. Запрещается вносить изменения в оригинальную конструкцию агрегата или модифицировать ее.
- Всегда помните о том, что неправильное использование или ненадлежащее обслуживание данного агрегата может привести к травмированию не только самого оператора, но и окружающих лиц.
- Запрещается оставлять изделие без присмотра со шлангом, подсоединенным к инструменту.
- Прекратите использование изделия или шланга при обнаружении утечки воздуха или ненадлежащей работы.
- Опасность взрыва
 - Запрещается выставлять давление выше максимального значения, предусмотренного для насадки.





- В процессе работы мотора и цилиндра изделие нагревается до высоких температур. Прикосновение к открытым металлическим поверхностям может привести к серьезным ожогам.
 - Держите воздушный компрессор вне рабочих зон.
- Травмы, вызываемые шумом
 - Применяйте средства защиты органов слуха.
- Газ из воздушного компрессора может поднимать в воздух грязь, опилки, взвешенные частицы и небольшие объекты. Это может привести к отбрасыванию предметов в глаза и получению иных серьезных травм.
 - Во время работы с инструментами всегда используйте средства индивидуальной защиты.

ИЗУЧИТЕ ИЗДЕЛИЕ

Стр 195.

1. Крепежные кронштейны для шланга
2. Быстросъемный соединитель
3. Охватываемый соединитель шлангов высокого давления, ПКЛ, 1/4" BSP
4. Манометр ресивера
5. Ручка регулятора давления
6. Регулирующий манометр
7. Ручка для транспортировки
8. Предохранительный клапан
9. Тумблер включения/выключения
10. Аккумулятор
11. Спускной клапан
12. Кнопка сброса

РАСПАКОВЫВАНИЕ

Тщательно проверьте инструмент на наличие каких-либо неисправностей или повреждений, вызванных транспортировкой.

Не утилизируйте упаковочный материал, пока тщательно не проверите инструмент и не будете удовлетворены его состоянием.

▲ ОСТОРОЖНО

При отсутствии или повреждении каких-либо деталей не используйте инструмент, пока соответствующие детали не будут заменены. Использование инструмента при отсутствии или повреждении каких-либо деталей может привести к тяжелой травме.

▲ ОСТОРОЖНО

Не пытайтесь модифицировать данный инструмент или создавать вспомогательные приспособления, не рекомендуемые для использования с данным инструментом. Любые такие изменения или модификации являются злоупотреблением и могут привести к опасным ситуациям и серьезным физическим травмам.

▲ ОСТОРОЖНО

Во избежание случайного запуска, способного повлечь серьезную травму, при сборке деталей всегда извлекайте аккумуляторный блок.

ЭКСПЛУАТАЦИЯ

ПОДГОТОВКА

Подсоединение/отсоединение воздушного шланга
Стр 196.

ПРИМЕЧАНИЕ: В ходе эксплуатации с давлением выше 7 бар (102 psi) нагнетательные шланги должны фиксироваться с помощью предохранительного троса, например, металлического.

1. Убедитесь в том, что выключатель находится в положении "ВЫКЛ." (O) и аккумуляторный блок отсоединен.
2. Вытяните ручку регулятора давления на себя для обеспечения возможности регулировки. Проверните ручку регулятора давления на один оборот против часовой стрелки.
3. Убедитесь, что давление на выходе сброшено на ноль.
4. Вставьте соединитель воздушного шланга в быстросъемное соединение 6,35 мм (1/4 дюйма) воздушного компрессора. Проталкивайте соединитель до тех пор, пока муфта на соединении не сместится вперед и не зафиксирует соединитель.

Для извлечения воздушного шланга от пневматического инструмента:

1. Вытяните ручку регулятора давления на себя для обеспечения возможности регулировки. Проверните ручку регулятора давления на один оборот против часовой стрелки.
2. Убедитесь, что давление на выходе сброшено на ноль.
3. Оттяните назад отпускающую втулку быстросъемной муфты диаметром 6,4 мм. Крепко сожмите и вытяните соединитель шланга из быстросъемного соединения.

Установка/извлечение аккумуляторного блока

1. Убедитесь в том, что выключатель находится в положении ВЫКЛ. (O).
2. Установите аккумуляторный блок в аккумуляторный отсек.
3. Перед началом работы убедитесь, что фиксаторы по обеим сторонам от батареи встали на место и аккумуляторная батарея крепко закреплена в изделии.
4. Нажмите на защелки, чтобы снять батарею.
5. Подробные инструкции по зарядке представлены в руководствах оператора аккумуляторного блока и зарядного устройства.



ИСПОЛЬЗОВАНИЕ ВОЗДУШНОГО КОМПРЕССОРА

⚠ ОПАСНО

Запрещается разбирать сливные клапаны резервуара или предохранительные клапаны, если в воздушном резервуаре находится воздух. Спустите воздух из воздушного резервуара. Давление в воздушном резервуаре может стать причиной взрыва и/или серьезной травмы.

⚠ ОСТОРОЖНО

Всегда надевайте защитные очки с боковыми щитками. При несоблюдении этого правила техники безопасности посторонние предметы могут попасть в глаза и привести к тяжелым травмам.

⚠ ОСТОРОЖНО

Пользуйтесь только рекомендованными изготовителем деталями и аксессуарами. Использование других деталей и аксессуаров ведет к тяжелым травмам.

⚠ ОСТОРОЖНО

Запрещается подсоединять какие-либо инструменты к открытому концу шланга до завершения подготовки к вводу в эксплуатацию.

⚠ ОСТОРОЖНО

Всегда снимайте аккумуляторную батарею с инструмента при сборке деталей, выполнении регулировок, очистке и когда инструмент не используется. Снятие аккумуляторной батареи предотвращает случайный запуск, который может стать причиной травмы.

⚠ ОСТОРОЖНО

Запрещается использовать агрегат в условиях повышенной запыленности или загрязнения. Использование воздушного компрессора в таких условиях может привести к поломке изделия.

Регулирование воздушного давления

Стр 197.

1. Убедитесь в том, что выключатель находится в положении "ВЫКЛ." (O) и аккумуляторный блок извлечен.
2. Установите аккумуляторный блок в изделие.
3. Переведите выключатель в положение "ВКЛ" (I).
4. Вытяните ручку регулятора давления на себя для обеспечения возможности регулировки.
5. Установите нужное значение с помощью ручки регулятора давления. При вращении ручки по часовой стрелке давление воздуха на выходе увеличивается. При вращении против часовой стрелки давление воздуха на выходе уменьшается.

Нажмите на ручку регулятора давления для блокирования регулировки.

6. После принятия всех мер предосторожности, указанных в настоящем руководстве, и выполнения инструкций производителя в руководстве пневматического инструмента можно приступить к работе с инструментом.

⚠ ОСТОРОЖНО

Пневматическому инструменту может потребоваться больший объем воздуха, чем способен обеспечить данный компрессор. Сверьтесь с данными, приведенными в руководстве пользователя, чтобы предотвратить повреждение инструмента и травмирование оператора.

7. Поворотом ручки регулятора давления отрегулируйте расход воздуха. Один полный оборот ручки приводит к остановке подачи воздуха.

ПРИМЕЧАНИЕ: Во время работы всегда устанавливайте минимальное давление. Если давление будет превышать необходимое значение, потребуется чаще откачивать воздух из ресивера, что увеличит частоту включений агрегата.

8. Для выключения компрессора, переведите выключатель в положение "ВЫКЛ." (O).

ПРИМЕЧАНИЕ: Если выключатель компрессора находится в положении "ВКЛ." (I), в случае падения воздушного давления в соответствующем резервуаре ниже установленного лимита возможен автоматический запуск подачи сжатого воздуха. По достижении нужного давления подача прекратится.

⚠ ОСТОРОЖНО

Запрещается превышать значение давления, рекомендованное производителем пневматического инструмента. При использовании воздушного компрессора в качестве насоса следуйте инструкции производителя надуваемого изделия.

⚠ ОСТОРОЖНО

Перед сменой пневматических инструментов и отсоединением шланга от воздушного отверстия убедитесь в том, что выключатель находится в положении "ВЫКЛ." (O), а на манометре регулятора давления указано нулевое значение. Невыполнение данного требования может привести к получению серьезной травмы.

9. По завершении работы осушите резервуар и извлеките аккумуляторный блок. Не оставляйте изделие работающим и подключенным к аккумуляторному блоку.

ОСУШЕНИЕ ВОЗДУШНОГО РЕЗЕРВУАРА

Стр 198.

Во избежание возникновения коррозии и защиты воздушного резервуара компрессора от влаги его необходимо ежедневно осушать.



Чтобы осушить воздушный резервуар:

1. Убедитесь в том, что выключатель находится в положении ВЫКЛ. (О).
2. Извлеките аккумуляторный блок.
3. Потяните за кольцо предохранительного клапана и удерживайте его в таком положении до тех пор, пока значение на манометре резервуара не опустится ниже 1,4 бар (20 PSI).
4. Отпустите кольцо.
5. Поверните рычаг сливного клапана против часовой стрелки, чтобы вывести влагу.
ПРИМЕЧАНИЕ: Конденсат является загрязняющим веществом и должен быть утилизирован в соответствии с местными предписаниями.
6. Поверните рычаг сливного клапана по часовой стрелке, чтобы закрыть клапан.

КНОПКА СБРОСА

При увеличении входящего потока воздуха выше определенного значения компрессор автоматически выключится.

Для повторного запуска воздушного компрессора:

1. Извлеките аккумуляторный блок.
2. Выключите инструмент.
3. Подождите три минуты, чтобы дать мотору остыть.
4. Нажмите кнопку включения.
5. Установите аккумуляторный блок в изделие.
6. Включите прибор.

ЗАМЕНА СОЕДИНЕНИЯ

Стр 199.

1. Убедитесь в том, что выключатель находится в положении ВЫКЛ. (О).
2. Извлеките аккумуляторный блок.
3. Потяните за кольцо предохранительного клапана и удерживайте его в таком положении до тех пор, пока значение на манометре резервуара не опустится ниже 1,4 бар (20 PSI).
4. Отпустите кольцо.
5. Открутите соединение, вращая ключ против часовой стрелки.
6. Установите новое соединение и затяните его ключом по часовой стрелке.

ТРАНСПОРТИРОВКА И ХРАНЕНИЕ

Стр 200 - 201.

1. Убедитесь в том, что выключатель находится в положении ВЫКЛ. (О).
2. Извлеките аккумуляторный блок.
3. Запустите пневматический инструмент для сброса воздушного давления в шланге, после чего отсоедините воздушный шланг и инструмент. Выпустите воздух, потянув за клапан сброса давления.
4. Слейте воду из резервуара, как указано в разделе "Осушение воздушного резервуара".
5. Протрите изделие мягкой сухой тканью.
6. Оберните воздушный шланг вокруг крепежных кронштейнов.
7. Переноску изделия следует осуществлять за специальную рукоятку.

8. Храните воздушный компрессор в обычном рабочем положении, в сухом безопасном месте.

⚠ ОСТОРОЖНО

Во время работы компрессора в резервуаре происходит конденсация воды. Вода со временем может способствовать образованию коррозии в резервуаре, что повышает риск пробоя.

⚠ ОСТОРОЖНО

На период простоя или технического обслуживания всегда отсоединяйте воздушный шланг от пневматических инструментов. Если инструмент подключен к шлангу, во время обслуживания возможно его случайное срабатывание и серьезная травма!

⚠ ОСТОРОЖНО

Если аккумуляторный блок не будет извлечен из воздушного компрессора перед размещением на хранение, это может привести к продолжительной непрерывной работе компрессора и, как следствие, перегреву, поломке возгоранию.

ТЕХНИЧЕСКОЕ ОБСЛУЖИВАНИЕ

ОБЩЕЕ ТЕХНИЧЕСКОЕ ОБСЛУЖИВАНИЕ

- Избегайте использования растворителей во время чистки пластмассовых частей. Многие пластмассы под воздействием различных бытовых растворителей повреждаются и могут разрушиться. Для снятия грязи, масла, жира, пыли и т.д. пользуйтесь чистой тряпкой.
- Никогда не допускайте контакта тормозной жидкости, бензина, продуктов на нефтяной основе, пропиточного масла и т. д. с пластмассовыми частями. Эти химикаты содержат вещества, которые могут испортить, ослабить или разрушить пластмассу. Это ведет к тяжелым травмам.
- Перед выполнением очистки и ремонта изделия необходимо сбросить давление, извлечь аккумуляторный блок и дать изделию остыть.
- Запрещается каким-либо образом изменять конструкцию изделия или использовать аксессуары, не рекомендованные производителем. Ваша безопасность и безопасность других людей может быть нарушена.
- Не используйте изделие, если выключатели, защитные приспособления или другие компоненты не функционируют должным образом. обратитесь в авторизованный сервисный центр для ремонта или регулировки.
- Перед регулировкой, нанесением смазки или проведением технического обслуживания изделия следует извлечь аккумуляторный блок.
- Проверьте изделие на предмет повреждения или поломки деталей перед и после каждого использования. Держите изделие в хорошем



рабочем состоянии, своевременно заменяя изношенные детали, используя запасные части, рекомендуемые производителем.

⚠ ОСТОРОЖНО

Для большей безопасности и надежности все ремонтные работы должны проводиться авторизованным сервисным центром.

ЗАЩИТА ОКРУЖАЮЩЕЙ СРЕДЫ



Утилизируйте как сырье, а не выбрасывайте как мусор. Машина, аксессуары и упаковка должны быть отсортированы.

УСЛОВНЫЕ ОБОЗНАЧЕНИЯ НА ПРОДУКТЕ



Сигнал опасности



Перед использованием прибора внимательно ознакомьтесь с данной инструкцией.



Соответствие требованиям CE



Знак Евразийского Соответствия



Украинский знак стандартизации



При работе с инструментом всегда надевайте защитные очки.



Используйте наушники!



Использовать только в помещении



Предупреждение о повышении уровня влаги. Не подвергайте инструмент воздействию дождя. Храните в помещении.



Риск вдыхания. Запрещается использовать воздух из воздушного компрессора для обеспечения дыхания.



Опасность взрыва. Запрещается выставлять давление выше максимального значения, предусмотренного для насадки. Не применяйте давление выше 10 бар.



Данный компрессор может запускаться без предупреждения.

Опасность возгорания или взрыва.

Зона распыления должна хорошо проветриваться. Запрещается курить во время распыления краски или производить распыление при образовании в непосредственной близости искр или наличия пламени. Устанавливайте компрессоры как можно дальше от зоны распыления. Установите компрессор на расстоянии не менее чем 10 м от зоны распыления и взрывоопасных испарений.



Регулируемое давление



Давление в резервуаре



Отработанная электротехническая продукция должна уничтожаться вместе с бытовыми отходами. Утилизируйте, если имеется специальное техническое оборудование. По вопросам утилизации проконсультируйтесь с местным органом власти или предприятием розничной торговли.

ОБОЗНАЧЕНИЯ В РУКОВОДСТВЕ



Детали или принадлежности, приобретаемые отдельно



Примечание



Осторожно

Следующие сигнальные слова и значения предназначены, чтобы объяснить уровни риска, связанного с этим изделием.

⚠ ОПАСНО

Указывает на потенциально опасную ситуацию, которая, если ее не избежать, приведет к летальному исходу или серьезной травме.

⚠ ОСТОРОЖНО

Указывает на потенциально опасную ситуацию, которая, если ее не избежать, может привести к летальному исходу или серьезной травме.

⚠ ВНИМАНИЕ

Указывает на потенциально опасную ситуацию, которая, если ее не избежать, может привести к травме легкой или средней тяжести.

ВНИМАНИЕ

(Без Символа Тревоги Безопасности) Указывает ситуацию, которая может кончиться повреждением собственности.

Транспортировка:

Категорически не допускается падение и любые механические воздействия на упаковку при транспортировке.

При разгрузке/погрузке не допускается использование любого вида техники, работающей по принципу зажима упаковок.

Хранение:

Необходимо хранить в сухом месте.

Необходимо хранить вдали от источников повышенных температур и воздействия солнечных лучей.

При хранении необходимо избегать резкого перепада температур.

Хранение без упаковки не допускается.

Не рекомендуется к эксплуатации по истечении 5 лет хранения с даты изготовления без предварительной проверки.

Дата изготовления (код даты) отштампован на поверхности корпуса изделия.

Пример:

W17 Y2015, где Y2015 - год изготовления

W17 – неделя изготовления

Определить месяц изготовления можно согласно приведенной ниже таблице, на примере 2015 года.

Обратите внимание! Количество недель в месяце различается от года в год.

Срок службы изделия:

Срок службы изделия составляет 5 лет.

Месяц	Январь	Февраль	Март	Апрель	Май	Июнь	Июль	Август	Сентябрь	Октябрь	Ноябрь	Декабрь	Год
Неделя	01	05	09	14	18	22	27	31	36	40	44	49	2015
	02	06	10	15	19	23	28	32	37	41	45	50	
	03	07	11	16	20	24	29	33	38	42	46	51	
	04	08	12	17	21	25	30	34	39	43	47	52	
	05	09	13	18	22	26	31	35	40	44	48	53	
		14			27								



EN
FR
DE
ES
IT
NL
PT
DA
SV
FI
NO
RU
PL
CS
HU
RO
LV
LT
ET
HR
SK
SL
BG
UK
TR
EL

Najwyższymi priorytetami w trakcie projektowania zakupionej przez Państwa sprężarki powietrza były bezpieczeństwo, wydajność i niezawodność.

PRZEZNACZENIE

Sprężarka powietrza jest przeznaczona wyłącznie do tłoczenia sprężonego powietrza. Nie wolno jej używać do sprężania innych gazów.

Produkt przeznaczony jest do obsługi narzędzi pneumatycznych i pompowania elementów wysokociśnieniowych, takich jak opony samochodowe i rowerowe.

Opisywany produkt przeznaczony jest do stosowania wyłącznie przez osoby dorosłe, które zapoznały się z instrukcjami i ostrzeżeniami zawartymi w niniejszym dokumencie oraz zrozumiały je, a także mogą być uważane za odpowiedzialne za swoje postępowanie.

Produkt powinien być użytkowany wyłącznie w pomieszczeniach zamkniętych.

Nie należy używać tego produktu niezgodnie z przeznaczeniem. Używanie narzędzi w sposób niezgodny z ich przeznaczeniem jest niebezpieczne.

OGÓLNE OSTRZEŻENIA DOTYCZĄCE BEZPIECZEŃSTWA

OSTRZEŻENIE

Zapoznaj się ze wszystkimi zasadami bezpieczeństwa i instrukcjami. Nieprzestrzeganie instrukcji i zasad bezpieczeństwa zawartych w ostrzeżeniach grozi porażeniem prądem elektrycznym, pożarem lub poważnymi obrażeniami.

Zachowaj wszystkie ostrzeżenia i instrukcje do wykorzystania w przyszłości.

OSTRZEŻENIE

Podczas używania jakichkolwiek urządzeń elektrycznych należy zachowywać podstawowe środki ostrożności. Pozwoli to uniknąć niebezpieczeństwa pożaru, porażenia prądem lub zranienia. Przed rozpoczęciem pracy zapoznać się ze wszystkimi instrukcjami i zachować je do późniejszego użytku.

BEZPIECZEŃSTWO MIEJSCA PRACY

- Miejsce pracy utrzymywać w czystości. Brak porządku w miejscu pracy to częsta przyczyna wypadków. Podczas użytkowania urządzenia nie wolno trzymać w pobliżu innych narzędzi ani elementów drewnianych.
- Nie używać produktu w warunkach niebezpiecznych. Nie używać elektronarzędzi w miejscach mokrych lub wilgotnych ani wystawiać urządzenia na działanie deszczu. Miejsce pracy musi być dobrze oświetlone.
- Dzieci i osoby postronne trzymać z daleka od miejsca pracy. Osoby postronne powinny mieć założone okulary ochronne i zachowywać bezpieczną odległość do miejsca pracy. Nie dopuszczać do kontaktu osób postronnych z produktem w trakcie jego pracy.

- Nie używać tego urządzenia w miejscach zagrożonych wybuchem. Iskry wytwarzane podczas pracy sinika mogą spowodować wybuch.

BEZPIECZEŃSTWO ELEKTRYCZNE

- Jeżeli jakkolwiek element elektryczny produktu nie działa prawidłowo, należy wyłączyć produkt wyłącznikiem zasilania, wyjąć akumulator z produktu i włożyć go ponownie przed wznowieniem pracy.
- Nie narażać elektronarzędzi na działanie deszczu lub wody. Woda dostająca się do elektronarzędzia stwarza zagrożenie porażenia prądem.

BEZPIECZEŃSTWO OSOBISTE

- Zachować ostrożność i nie dopuszczać do utraty kontroli nad urządzeniem. Obserwować miejsce pracy i wykonywane czynności, zachować zdrowy rozsądek. Nie kontynuować pracy w przypadku zmęczenia. Nie należy się śpieszyć.
- Należy zakładać odpowiednią odzież ochronną. Nie zakładać luźnych elementów odzieży, krawatów lub biżuterii, które mogłyby zostać pochwycone i wciągnięte przez ruchome elementy urządzenia. Podczas pracy na zewnątrz pomieszczeń zaleca się zakładać gumowe rękawice i obuwie z podeszwą antypoślizgową. Nosić ochronne zabezpieczenie włosów, aby spiąć i osłonić dłuższe włosy.
- Podczas pracy należy mieć założone okulary ochronne z osłonami bocznymi. Zwykłe okulary nie zapewniają odpowiedniej ochrony, NIE są to okulary ochronne.
- Chronić układ oddechowy. Założyć ochronę na twarz lub maskę przeciwpyłową w wypadku gdy przy pracy wydziela się pył.
- Chronić słuch. W przypadku dłuższego czasu pracy, zakładać środki ochrony słuchu.
- Nie sięgać zbyt daleko. Należy cały czas pewnie opierać stopy i utrzymywać równowagę.
- Usunąć z miejsca pracy wszelkie klucze i narzędzia. Konieczne jest wypracowanie nawyku sprawdzania, czy wszystkie narzędzia użyte do montażu akcesoriów lub regulacji, zostały usunięte przed rozpoczęciem pracy.

EKSPLLOATACJA I KONSERWACJA SPRĘŻAREK POWIETRZA

- Nie przekraczać wartości ciśnienia elementów systemu.
- Chronić przewody materiału i powietrza przed uszkodzeniem lub przebicciem. Trzymać wąż z dala od ostrych przedmiotów, wycieków chemicznych, oleju, rozpuszczalników i mokrych podłóg.
- Przed każdym użyciem należy sprawdzić węże pod kątem zużycia i upewnić się, czy wszystkie połączenia są pewne. Nie używać w przypadku stwierdzenia defektu. Zakupić nowy wąż lub skontaktować się z autoryzowanym punktem serwisowym w celu przeprowadzenia badania lub naprawy.
- Powoli zredukować ciśnienie w układzie. Pył i odpady mogą być szkodliwe.





- Przechowywać nieużywane sprężarki powietrza poza zasięgiem dzieci i innych osób nieprzeszkolonych. W rękach nieprzeszkolonych użytkowników sprężarki powietrza są niebezpieczne.
- Przy konserwacji sprężarek powietrza należy zachować ostrożność. Należy postępować zgodnie z instrukcjami konserwacji. Prawidłowo serwisowane narzędzia łatwiej się kontroluje.
- Sprawdzić, czy ruchome części są dobrze dopasowane i zamocowane, czy nie są uszkodzone. Należy również uwzględnić inne okoliczności, które mogą mieć wpływ na pracę narzędzia. W razie uszkodzenia przed kolejnym uruchomieniem należy przeprowadzić czynności naprawcze narzędzia. Wiele wypadków jest spowodowanych przez nieprawidłowo serwisowane narzędzia.
- Zewnętrzne powierzchnie produktu należy utrzymywać w stanie suchym, czystym i wolnym od oleju oraz tłuszczu. Do czyszczenia używać czystej szmatki. Do czyszczenia tego urządzenia nie wolno używać płynów hamulcowych, benzyny, środków ropopochodnych ani silnych rozpuszczalników. Postępowanie zgodnie z tą zasadą ogranicza ryzyko zepsucia obudowy z tworzywa.

SERWIS

- Do napraw używać wyłącznie identycznych zamienników. Użycie jakiegokolwiek innej części mogłoby spowodować zagrożenie lub też uszkodzić wasze narzędzie.

Zachować ten podręcznik. Należy do niego systematycznie powracać i używać go do przeszkolenia innych osób. Wypożyczając komuś narzędzie, należy dołączyć również ten podręcznik.

SPRĘŻARKA POWIETRZA — OSTRZEŻENIA

- Informacje o produkcie. Przeczytajcie dokładnie niniejszą instrukcję obsługi. Zapoznaj się z przeznaczeniem i ograniczeniem zastosowania tego urządzenia oraz z zagrożeniami, jakie są związane z jego użytkowaniem. W ten sposób zmniejszycie zagrożenie porażenia prądem elektrycznym, pożaru czy poważnych ran.
- Opróżnić zbiornik powietrza z wilgoci po każdym dniu użytkowania. Jeżeli produkt nie będzie używany przez pewien czas, najlepiej jest pozostawić zawór spustowy otwarty do czasu następnego użycia. Pozwoli to na całkowite odprowadzenie wilgoci i zapobiegnie korozji wewnątrz zbiornika powietrza.
- Ryzyko pożaru lub wybuchu. Nie rozpylać palnych płynów w zamkniętych pomieszczeniach. Miejsce natryskiwania musi być dobrze wentylowane. Nie palić podczas rozpylania ani nie rozpylać w miejscach, gdzie występują iskry lub otwarty płomień. Produkt należy przechowywać w odległości co najmniej 10 m od obszaru natryskiwania i wszystkich wybuchowych oparów.
- Ryzyko wybuchu. Nie ustawiać regulatora tak, aby ciśnienie wyjściowe było większe od zaznaczonego maksymalnego ciśnienia przyłącza. Nie nadmuchiwać do ciśnienia przekraczającego 8,3 bar.
- Aby ograniczyć ryzyko porażenia prądem, nie narażać produktu na działanie deszczu. Produkt należy przechowywać w pomieszczeniach zamkniętych.
- Sprawdzić zbiornik powietrza pod kątem rdzy, przebić punktowych lub innych wad, które mogą sprawić, że stanie się niebezpieczny.
- Nie wolno spawać ani wiercić otworów w zbiorniku powietrza.
- Upewnić się, czy w wężu nie ma obcych przedmiotów lub zatorów. Poplątane węże mogą spowodować utratę równowagi lub podparcia i mogą zostać uszkodzone.
- Stosować produkt wyłącznie zgodnie z przeznaczeniem. Nie zmieniać ani nie modyfikować urządzenia pod względem przeznaczenia lub działania.
- Należy pamiętać, że niewłaściwe używanie i nieprawidłowa obsługa tego narzędzia mogą spowodować obrażenia ciała użytkownika oraz innych osób.
- Nigdy nie pozostawiać produktu bez nadzoru z wężem powietrznym przymocowanym do narzędzia.
- Nigdy nie kierować żadnych narzędzi pneumatycznych w stronę siebie lub innych osób.
- Nie używać tego urządzenia, jeśli nie posiada ono czytelnej etykiety ostrzegawczej.
- Nie kontynuować pracy z narzędziem lub wężem, który przepuszcza powietrze lub nie działa prawidłowo.
- Zawsze odłączać doprowadzenie powietrza i wymontowywać akumulator przed dokonaniem regulacji lub serwisowaniem bądź gdy produkt nie jest używany.
- Nie należy ciągnąć ani przenosić produktu, trzymając za wąż.
- Narzędzie może wymagać doprowadzenia o ciśnieniu wyższym od maksymalnego ciśnienia wytwarzanego przez produkt.
- Zawsze przestrzegać wszystkich zasad bezpieczeństwa zalecanych przez producenta narzędzia pneumatycznego, a także wszelkich zasad bezpieczeństwa dotyczących samej sprężarki powietrza. Przestrzeganie tej zasady ograniczy ryzyko poważnych urazów ciała.
- Nie wolno kierować dyszy sprężonego powietrza w stronę ludzi lub zwierząt. Należy zwrócić uwagę, aby nie wydmuchiwać pyłu i brudu w swoją stronę oraz w stronę innych osób. Przestrzeganie tej zasady ograniczy ryzyko poważnych urazów ciała.
- Nie stosować produktu do rozpylania substancji chemicznych. Płuca użytkownika mogą ulec uszkodzenia. Podczas pracy w zapyłonych miejscach lub natryskiwania farby może być konieczne użycie maski oddechowej. Nie przenosić podczas malowania.
- Okresowo należy sprawdzać przewody i węże narzędzia i w razie uszkodzenia należy zlecić naprawę w autoryzowanym punkcie serwisowym. Dopilnujcie, by było wiadomo gdzie znajduje się przewód. W ten sposób zmniejszycie ryzyko porażenia prądem elektrycznym.
- Sprawdzić, czy ruchome części są dobrze dopasowane i zamocowane, czy nie są uszkodzone. Należy również uwzględnić inne okoliczności, które mogą mieć wpływ na pracę narzędzia. W razie uszkodzenia





przed kolejnym uruchomieniem należy przeprowadzić czynności naprawcze narzędzia. Wiele wypadków jest spowodowanych przez nieprawidłowo serwisowane narzędzia.

- Jeżeli osłony stałe muszą zostać zdjęte w celu okresowej konserwacji lub naprawy, ich systemy mocujące powinny pozostać przymocowane do osłony lub urządzenia w okresie, gdy będą one zdemontowane.
- Nigdy nie przechowywać narzędzia z podłączonym węzłem powietrznym. Przechowywanie narzędzia podłączonego do zasilania powietrzem może spowodować nieoczekiwane uruchomienie, wystrzał lub przemieszczenie, a tym samym poważne obrażenia ciała.
- Chronić układ oddechowy. Załóżcie ochronę na twarz lub maskę przeciwpyłową w wypadku gdy przy pracy wydziela się pył. Przestrzeganie tej zasady ograniczy ryzyko poważnych urazów ciała.
- Zachować ten podręcznik. Należy systematycznie z niego korzystać i używać do przeszkolenia innych osób, które mogą korzystać z tego produktu. Wypożyczając komuś narzędzie, należy dołączyć również ten podręcznik.
- Urządzenie należy obsługiwać od przodu panelu sterowania.
- Gdy urządzenie pracuje, wiele części urządzenia może wpływać na wzrost temperatury. Należy stosować odpowiednie środki ochrony osobistej, takie jak rękawice, aby uniknąć obrażeń ciała na skutek wysokiej temperatury.
- Produkt nie jest przeznaczony do używania przez osoby o ograniczonej sprawności fizycznej lub sensorycznej bądź ograniczonych zdolnościach umysłowych (w tym dzieci), bądź też pozbawione doświadczenia lub wiedzy. Dzieci należy nadzorować, aby mieć pewność, że nie bawią się produktem.

BATERIA I ŁADOWARKA – OSTRZEŻENIA DOTYCZĄCE BEZPIECZEŃSTWA

⚠ OSTRZEŻENIE

Aby uniknąć niebezpieczeństwa pożaru, obrażeń lub uszkodzeń produktu na skutek zwarcia, nie wolno zanurzać narzędzia, akumulatora wymiennego ani ładowarki w cieczach i należy zatroszczyć się o to, aby do urządzeń i akumulatorów nie dostały się żadne ciecze. Zwarcie spowodować mogą korodujące lub przewodzące ciecze, takie jak woda morska, określone chemikalia i wybielacze lub produkty zawierające wybielacze.

- **Akumulatory należy ładować wyłącznie za pomocą ładowarki określonej przez producenta.** Nawet jeśli ładowarka pasuje do danego akumulatora, to użycie jej do ładowania innego akumulatora może grozić pożarem.
- **Z narzędziami z napędem należy stosować wyłącznie specjalnie wyznaczone akumulatory.** Stosowanie jakichkolwiek innych akumulatorów może stwarzać ryzyko obrażeń i pożaru.

- **Gdy akumulator nie jest używany, przechowywać go z dala od innych metalowych przedmiotów, np. spinaczy, monet, kluczy, gwoździ, śrub lub innych małych metalowych przedmiotów, które mogłyby utworzyć połączenie między stykami, prowadząc do zwarcia.** Zwarcie biegunów akumulatora może spowodować oparzenia lub pożar.
- **W trudnych warunkach może dojść do wyrzutu cieczy z akumulatora; należy unikać kontaktu.** Jeżeli dojdzie do przypadkowego kontaktu, splukać wodą. Jeśli ciecz przedostanie się do oczu, oprócz tego zasięgnąć porady lekarza. Ciecz, która wydostała się z akumulatora, może powodować podrażnienia lub oparzenia.
- **Urządzenia akumulatorowe nie muszą być podłączone do sieci energetycznej i zawsze są w stanie gotowym do uruchomienia. Należy pamiętać o potencjalnym zagrożeniu występującym nawet wtedy, gdy urządzenie nie jest używane lub podczas wymiany akcesoriów.** W ten sposób zmniejszycie zagrożenie porażenia prądem elektrycznym, pożaru czy poważnych ran.
- **Nie umieszczać urządzeń akumulatorowych ani samych akumulatorów w pobliżu ognia lub źródeł ciepła.** Przestrzeganie tego zalecenia pozwoli zmniejszyć ryzyko eksplozji i zranienia.
- **Nie dopuścić do zgniecenia, upuszczenia ani innego uszkodzenia akumulatora. Nie wolno używać akumulatora ani ładowarki w przypadku ich upuszczenia lub mocnego uderzenia.** Uszkodzona bateria grozi eksplozją. Upuszczony lub uszkodzony akumulator należy odpowiednio zutylizować.
- **Akumulator może eksplodować w pobliżu źródła ognia takiego jak np. płomień pilota pieca gazowego.** Aby zmniejszyć ryzyko poważnych obrażeń, nie wolno używać urządzeń akumulatorowych w pobliżu otwartych źródeł ognia. W przypadku eksplozji, części akumulatora i substancje chemiczne zostają rozrzucone z dużą siłą. Miejsce kontaktu należy niezwłocznie przepłukać wodą.
- **Nie ładować urządzenia akumulatorowego w warunkach mokrych lub wilgotnych.** W ten sposób zmniejszycie ryzyko porażenia prądem elektrycznym.
- **Najlepsze efekty ładowania można uzyskać przy temperaturze otoczenia w zakresie od 10°C do 38°C.** Aby zmniejszyć ryzyko poważnych obrażeń, nie należy przechowywać tego urządzenia na zewnątrz pomieszczeń ani w pojazdach.
- **W przypadku silnego obciążenia lub skrajnych temperatur może dojść do wycieku elektrolitu.** Jeśli płyn zetknie się ze skórą, należy umyć ją natychmiast wodą z mydłem. W przypadku, gdy elektrolit dostanie się do oczu, należy je przemywać czystą wodą przez przynajmniej 10 minut, następnie zwrócić się niezwłocznie o pomoc medyczną. Przestrzeganie tej zasady ograniczy ryzyko poważnych urazów ciała.
- **Nie stosować uszkodzonych ani zmodyfikowanych akumulatorów.** Uszkodzone lub zmodyfikowane akumulatory mogą zachowywać się w sposób nieprzewidywalny, co może prowadzić do pożaru, wybuchu lub ryzyka obrażeń.

EN
FR
DE
ES
IT
NL
PT
DA
SV
FI
NO
RU
PL
CS
RO
HU
LV
LT
ET
HR
SK
BG
UK
TR
EL





- **Nie modyfikować uszkodzonego akumulatora ani próbować go naprawiać.**
- **Nie narażać akumulatora lub narzędzia na działanie ognia lub zbyt wysokich temperatur.** Narażenie na działanie ognia lub temperatury powyżej 130°C może spowodować wybuch.
- **Przestrzegać wszystkich instrukcji ładowania i nie ładować akumulatora ani narzędzia poza podanym w instrukcji zakresem temperatur.** Ładowanie w niewłaściwy sposób lub w temperaturze poza określonym zakresem może doprowadzić do uszkodzenia akumulatora i wzrostu zagrożenia pożarowego.

TRANSPORTOWANIE AKUMULATORÓW LITOWYCH

Akumulatory należy transportować zgodnie z lokalnymi i krajowymi przepisami i regulacjami.

Należy postępować zgodnie z wszystkimi specjalnymi wymaganiami dotyczącymi pakowania i etykietowania akumulatorów podczas transportu przez stronę trzecią. Upewnij się, że żadne akumulatory nie zetkną się z innymi akumulatorami lub materiałami przewodzącymi podczas transportu. W tym celu należy zabezpieczyć odkryte złącza nieprzewodzącymi nakładkami izolacyjnymi lub taśmą izolacyjną. Nie należy transportować pękniętych ani nieszczelnych akumulatorów. Szczegółowe porady można uzyskać w firmie spedycyjnej.

AKUMULATORY

Akumulatory, które nie były używane od pewnego czasu, należy ponownie naładować przed użyciem.

Temperatury przekraczające 50°C (122°F) zmniejszają efektywność akumulatora. Unikaj długotrwałego narażenia na działanie promieni słonecznych (ryzyko przegrzania).

Styki ładowarek i akumulatorów muszą być utrzymywane w czystości.

W celu uzyskania optymalnej żywotności akumulatory należy ładować do pełna po każdym użyciu.

W celu uzyskania najdłuższej możliwej żywotności akumulatora należy wyjmować go z ładowarki po naładowaniu do pełna.

W przypadku przechowywania akumulatorów dłużej niż 30 dni:

- Akumulator należy przechowywać w temperaturze poniżej 27°C i z dala od wilgoci.
- Akumulatory należy przechowywać w stanie naładowania 30–50%.
- Co sześć miesięcy przechowywania należy naładować akumulator jak zwykle.

ZABEZPIECZENIE AKUMULATORA

Akumulator posiada zabezpieczenie przed przeładowaniem, które chroni go przed przeładowaniem i zapewnia długą żywotność. Przy ekstremalnym obciążeniu elektronika akumulatora wyłącza produkt automatycznie. Aby ponownie uruchomić produkt, należy go wyłączyć, a następnie ponownie włączyć. Jeśli produkt nie uruchomi się ponownie, może to oznaczać, że akumulator jest całkowicie rozładowany. W takim przypadku należy go naładować w ładowarce do akumulatorów.

RYZYKO ZWIĄZANE Z UŻYTKOWANIEM

Nawet jeśli produkt jest używany zgodnie z zaleceniami, nadal nie jest możliwe wyeliminowanie określonych czynników ryzyka. Następujące zagrożenia mogą wystąpić podczas używania urządzenia i operator powinien zwracać szczególną uwagę na poniższe punkty:

- Stosować produkt wyłącznie zgodnie z przeznaczeniem. Nie zmieniać ani nie modyfikować urządzenia pod względem przeznaczenia lub działania.
- Należy pamiętać, że niewłaściwe używanie i nieprawidłowa obsługa tego narzędzia mogą spowodować obrażenia ciała użytkownika oraz innych osób.
- Nigdy nie pozostawiać produktu bez nadzoru z węzłem powietrznym przymocowanym do narzędzia.
- Nie kontynuować pracy z narzędziem lub węzłem, który przepuszcza powietrze lub nie działa prawidłowo.
- Ryzyko wybuchu
 - Nie ustawiać regulatora tak, aby ciśnienie wyjściowe było większe od zaznaczonego maksymalnego ciśnienia przyłącza.
- Podczas pracy silnika i cylindra wytwarzana jest energia cieplna, co powoduje wzrost temperatury. Dotknięcie odsłoniętego metalu może spowodować poważne oparzenia.
 - Sprężarkę powietrza należy zawsze trzymać z dala od stref roboczych.
- Urazy ciała spowodowane hałasem
 - Stosować środki ochrony słuchu.
- Gaz wydostający ze sprężarki powietrza może nadawać dużą prędkość zanieczyszczeniom, wiórom, luźnym cząstkom i małym przedmiotom. Może to spowodować wyrzut przedmiotów w kierunku oczu lub inne poważne obrażenia.
 - Podczas pracy z różnymi narzędziami należy zawsze nosić odpowiednie środki ochrony indywidualnej.

INFORMACJE O PRODUKCIE

Patrz strona 195.

1. Uchwyty do owijania węża
2. Szybkozłącze
3. Szybkoprzepływowe złącze męskie PCL, 1/4" BSPS
4. Manometr zbiornika
5. Pokrętko regulacji ciśnienia
6. Manometr regulacyjny
7. Uchwyt
8. Zawór bezpieczeństwa
9. Przełącznik WI-Wył
10. Bateria
11. Opróżnić zawór
12. Przycisk zerowania

ROZPAKOWYWANIE

Dokładnie skontrolować narzędzie, aby upewnić się, czy podczas transportu nie uległo uszkodzeniu lub awarii.

Nie wyrzucać opakowania przed dokładnym skontrolowaniem i pomyślnym uruchomieniem urządzenia.





EN
FR
DE
ES
IT
NL
PT
DA
SV
FI
NO
RU
PL
CS
HU
RO
LV
LT
ET
HR
SL
SK
BG
UK
TR
EL

⚠ OSTRZEŻENIE

Jeżeli którekolwiek części są uszkodzone lub ich brakuje, nie używać produktu do czasu ich wymiany lub uzupełnienia. Używanie produktu z uszkodzonymi częściami lub bez niektórych części może spowodować poważne obrażenia ciała.

⚠ OSTRZEŻENIE

Nie próbujcie modyfikować tego narzędzia czy też tworzyć akcesoriów, których zastosowanie z tym narzędziem nie jest zalecane. Dokonanie zmian konstrukcyjnych lub modyfikacji jest postępowaniem niezgodnym z przeznaczeniem i może być przyczyną zagrożenia bezpieczeństwa prowadzącego do poważnych obrażeń.

⚠ OSTRZEŻENIE

Aby zapobiec przypadkowemu uruchomieniu, które mogłoby spowodować poważne obrażenia ciała, należy zawsze wyjąć akumulator z produktu na czas montażu części.

OBSŁUGA

PRZYGOTOWANIE

Podłączanie/odłączanie węża powietrza

Patrz strona 196.

UWAGA: W przypadku pracy z ciśnieniem powyżej 7 barów (102 psi) węże doprowadzające powinny być zamocowane linką zabezpieczającą, np. linką stalową.

1. Upewnić się, że przełącznik znajduje się w położeniu „OFF” (O), a akumulator jest odłączony.
2. Pociągnąć pokrętkę regulatora ciśnienia na zewnątrz, aby umożliwić regulację. Obrócić pokrętkę regulatora ciśnienia maksymalnie w lewo.
3. Potwierdzić, że ciśnienie na wylocie wynosi zero bar.
4. Zamocować wąż powietrza ze złączką do szybkozłącza 6,35 mm (1/4 cala) na sprężarce powietrza. Złącze należy wcisnąć do końca w złączkę, aż tuleja na złączce odsunie się pod wpływem sprężyny do przodu i zablokuje złącze na miejscu.

Aby odłączyć wąż powietrza lub narzędzie pneumatyczne:

1. Pociągnąć pokrętkę regulatora ciśnienia na zewnątrz, aby umożliwić regulację. Obrócić pokrętkę regulatora ciśnienia maksymalnie w lewo.
2. Potwierdzić, że ciśnienie na wylocie wynosi zero bar.
3. Odciągnąć kołnierz zwalniający szybkozłączki 6,35 mm. Chwycić mocno złącze węża, które jest przymocowane do szybkozłącza, i pociągnąć do siebie.

Podłączanie/odłączanie akumulatora

1. Upewnić się, że przełącznik znajduje się w położeniu „OFF” (O).
2. Włożyć akumulator do portu akumulatora.

3. Przed rozpoczęciem pracy upewnić się, że zatrzaski po obu stronach baterii zatrzasknęły się na miejscu i że bateria jest pewnie zamocowana w urządzeniu.
4. Naciśnąć zatrzaski, aby wyjąć akumulator.
5. Kompletnie informacje dotyczące ładowania znajdują się w instrukcjach obsługi akumulatora i ładowarki.

KORZYSTANIE ZE SPRĘŻARKI POWIETRZA

⚠ NIEBEZPIECZEŃSTWO

Nie wolno demontować zaworów spustowych zbiornika ani zaworu bezpieczeństwa, gdy w zbiorniku znajduje się powietrze. Wypuścić powietrze ze zbiornika powietrza. Jeśli ciśnienie w zbiorniku powietrza nie zostanie obniżone, może dojść do eksplozji i/lub poważnych obrażeń ciała.

⚠ OSTRZEŻENIE

Zawsze należy nosić okulary ochronne z bocznymi osłonami. W przeciwnym wypadku może dojść do uszkodzenia wzroku przez uderzenie obcym przedmiotem.

⚠ OSTRZEŻENIE

Używajcie jedynie części i akcesoriów zalecanych przez producenta tego narzędzia. Stosowanie jakichkolwiek przystawek lub akcesoriów nie zalecanych przez producenta grozi poważnym zranieniem!

⚠ OSTRZEŻENIE

Nie podłączać żadnych narzędzi do końcówki węża, jeśli nie została ukończona procedura rozruchowa.

⚠ OSTRZEŻENIE

Przed przystąpieniem do montażu podzespołów, regulacji, czyszczenia lub w przypadku przerwy w użytkowaniu urządzenia należy odłączyć akumulator. Odłączenie akumulatora zapobiegnie przypadkowemu uruchomieniu urządzenia, co groziłoby poważnym zranieniem.

⚠ OSTRZEŻENIE

Nie używać w zapyłonym lub inaczej zanieczyszczonym środowisku. Używanie sprężarki powietrza w takich warunkach może skutkować uszkodzeniem produktu.

Regulacja ciśnienia powietrza

Patrz strona 197.

1. Upewnić się, że przełącznik znajduje się w położeniu „OFF” (O), a akumulator jest wymontowany.
2. Podłączyć akumulator do produktu.
3. Przetawić przełącznik do położenia „ON” (I).
4. Pociągnąć pokrętkę regulatora ciśnienia na zewnątrz, aby umożliwić regulację.





- Obrócić pokrętkę regulatora ciśnienia w położenie żądanego ciśnienia. Obracanie pokrętki w prawo zwiększa ciśnienie w wylocie. Obracanie pokrętki w lewo redukuje ciśnienie powietrza w wylocie. Naciśnięcie pokrętkę regulatora ciśnienia, aby zablokować możliwość regulacji.
- Można teraz przystąpić do korzystania z narzędzia pneumatycznego. Należy przestrzegać wszelkich środków ostrożności zawartych w niniejszej instrukcji oraz wytycznych producenta zawartych w instrukcji obsługi narzędzia pneumatycznego.

⚠ OSTRZEŻENIE

Narzędzia pneumatyczne mogą wymagać większej wydajności niż jest w stanie zapewnić sprężarka. Zapoznać się z instrukcją narzędzia, aby uniknąć uszkodzenia narzędzia lub obrażeń ciała.

- Sterować przepływem powietrza za pomocą pokrętki regulacji ciśnienia. Obrócenie pokrętki maksymalnie w lewo całkowicie zatrzyma przepływ powietrza.
UWAGA: Zawsze należy wykorzystywać minimalne ciśnienie wymagane dla danego zastosowania. Stosowanie wyższego ciśnienia niż jest wymagane spowoduje szybsze usuwanie ciśnienia ze zbiornika i częstsze załączanie urządzenia.
- Aby wyłączyć sprężarkę powietrza, należy przestawić przełącznik zasilania do położenia „OFF” (O).
UWAGA: Gdy przełącznik sprężarki znajduje się w położeniu „ON” (I), sprężarka automatycznie się włączy, gdy ciśnienie powietrza w zbiorniku spadnie poniżej ustawionego limitu ciśnienia. Wyłączy się również ponownie po osiągnięciu zadanego ciśnienia.

⚠ OSTRZEŻENIE

Nigdy nie należy przekraczać ciśnienia znamionowego narzędzia pneumatycznego zalecanego przez producenta. W przypadku stosowania sprężarki powietrza jako urządzenia pompującego należy zawsze przestrzegać wytycznych producenta pompowanego elementu dotyczących maksymalnego ciśnienia napompowania.

⚠ OSTRZEŻENIE

Przed wymianą narzędzi pneumatycznych lub odłączeniem węża od wylotu powietrza należy zawsze upewnić się, że przełącznik znajduje się w położeniu „OFF” (O), a manometr regulatora wskazuje zerową wartość. W przeciwnym razie może dojść do poważnych obrażeń ciała.

- Po zakończeniu należy zawsze opróżnić zbiornik i wyjąć akumulator. Nigdy nie pozostawiać produktu pracującego ani podłączonego do akumulatora.

OPRÓŻNIANIE ZBIORNIKA POWIETRZA

Patrz strona 198.

Aby zapobiec korozji zbiornika i chronić go przed wilgocią, należy go codziennie opróżniać.

Aby opróżnić zbiornik powietrza:

- Upewnić się, że przełącznik znajduje się w położeniu „OFF” (O).
- Wymontować akumulator.
- Pociągnąć pierścień zaworu nadmiarowego ciśnienia, aż manometr zbiornika wskaże mniej niż 1,4 bara (20 psi).
- Zwolnić pierścień.
- Obrócić dźwignię zaworu spustowego w lewo, aby spuścić wilgoć.
UWAGA: Kondensat to materiał szkodliwy i należy go utylizować zgodnie z lokalnymi przepisami.
- Obrócić dźwignię zaworu spustowego w prawo, aby zamknąć zawór.

PRZYCISK ZEROWANIA

Gdy prąd w silniku sprężarki powietrza przekroczy konkretną wartość, sprężarka automatycznie się wyłączy.

Aby zresetować sprężarkę powietrza:

- Wymontować akumulator.
- Wyłączyć narzędzie.
- Odczekać trzy minuty, aż silnik ostygnie.
- Naciśnij przycisk resetowania.
- Podłączyć akumulator do produktu.
- Włączyć produkt.

WYMIANA ZŁĄCZKI

Patrz strona 199.

- Upewnić się, że przełącznik znajduje się w położeniu „OFF” (O).
- Wymontować akumulator.
- Pociągnąć pierścień zaworu nadmiarowego ciśnienia, aż manometr zbiornika wskaże mniej niż 1,4 bara (20 psi).
- Zwolnić pierścień.
- Za pomocą klucza poluzować i zdemontować złączkę, obracając ją w lewo.
- Za pomocą klucza zamontować nową złączkę i dokręcić ją poprzez obrócenie w prawo.

TRANSPORT I PRZECHOWYWANIE

Patrz strona 200 - 201.

- Upewnić się, że przełącznik znajduje się w położeniu „OFF” (O).
- Wymontować akumulator.
- Uruchomić narzędzie pneumatyczne, aby zmniejszyć ciśnienie powietrza w wężu, a następnie odłączyć wąż powietrza i narzędzie pneumatyczne. Uwolnić powietrze, pociągając za zawór nadmiarowy ciśnienia.
- Spuścić wodę ze zbiornika zgodnie z instrukcją podaną w temacie „Opróżnianie zbiornika powietrza”.
- Produkt należy czyścić suchą szmatką.
- Owinąć wąż powietrza wokół uchwytów węży.
- Przenosić produkt za uchwyt do przenoszenia.
- Sprężarkę powietrza należy przechowywać w typowym położeniu roboczym, w suchym i zabezpieczonym miejscu.



⚠ OSTRZEŻENIE

Gdy sprężarka pracuje, w jej zbiorniku skrapla się woda. Pozostawienie wody w zbiorniku może skutkować osłabieniem i korozją konstrukcji zbiornika oraz zwiększyć ryzyko pęknięcia zbiornika.

⚠ OSTRZEŻENIE

Zawsze odłączać wąż powietrza od narzędzi, gdy nie jest używany oraz na czas serwisowania. Podczas konserwacji narzędzie podłączone do węża powietrza może przypadkowo się włączyć, powodując poważne obrażenia ciała!

⚠ OSTRZEŻENIE

Jeśli akumulator nie zostanie wyjęty ze sprężarki powietrza przed odłożeniem jej do przechowania, sprężarka może stale pracować, a to z kolei może doprowadzić do jej przegrzania i uszkodzenia oraz do pożaru.

KONSERWACJA

OGÓLNE CZYNNOŚCI KONSERWACYJNE

- Nie stosować rozpuszczalników do czyszczenia elementów plastikowych. Większość plastików jest wrażliwa na rozmaite rozpuszczalniki dostępne w handlu i może ulec uszkodzeniu przez ich stosowanie. Używajcie czystej szmatki do usunięcia zabrudzeń, pyłu, oleju, smaru, itd.
- Nie wolno dopuścić do kontaktu plastikowych części z płynem hamulcowym, benzyną, produktami ropopochodnymi, olejami penetrującymi itp. Te produkty chemiczne zawierają substancje, które mogłyby uszkodzić, osłabić lub zniszczyć plastik, co mogłoby spowodować poważne zranienie.
- Przed czyszczeniem lub naprawą produktu należy zawsze uwolnić całe ciśnienie, wyjąć akumulator i poczekać, aż produkt ostygnie.
- Nie należy modyfikować produktu w żaden sposób ani nie używać akcesoriów, które nie są zalecane przez producenta. Może dojść do obniżenia poziomu bezpieczeństwa użytkownika oraz innych osób.
- Nie używać produktu, jeśli dowolny przycisk, osłona lub inna funkcja nie pracują prawidłowo. Przekazać urządzenie do autoryzowanego centrum serwisowego do naprawy lub regulacji.
- Przed przystąpieniem do regulacji, smarowania lub konserwacji zawsze upewniać się, że z produktu wyjęto akumulator.
- Przed o po każdym użyciu należy sprawdzić, czy produkt i jego części nie są uszkodzone. Produkt należy utrzymywać w najlepszej kondycji roboczej, wymieniając natychmiast części na części zamienne zatwierdzone przez producenta.

⚠ OSTRZEŻENIE

Aby zapewnić wyższy poziom bezpieczeństwa i niezawodności, wszystkie naprawy powinny być przeprowadzane przez autoryzowany punkt serwisowy.

OCHRONA ŚRODOWISKA



Surowce należy oddawać do powtórnego przetworzenia zamiast wyrzucać je na śmieci. Z myślą o ochronie środowiska, narzędzie, akcesoria i opakowania powinny być sortowane.

SYMBOLE PRODUKTU



Uwaga dotycząca bezpieczeństwa



Przed uruchomieniem urządzenia prosimy uważnie przeczytać instrukcję



Zgodność CE



Znak zgodności EurAsian



Ukraiński znak zgodności



Podczas pracy należy zawsze nosić okulary ochronne.



Stosować środki ochrony słuchu!



Do użytku wewnętrznego



Ostrzeżenie o wilgoci. Nie narażaj na działanie deszczu. Przechowywać wewnątrz pomieszczeń.



Ryzyko wdychania. Powietrze uzyskane bezpośrednio ze sprężarki powietrza nie powinno być nigdy dostarczane jako powietrze do oddychania.



Ryzyko wybuchu. Nie ustawiać regulatora tak, aby ciśnienie wyjściowe było większe od zaznaczonego maksymalnego ciśnienia przyłącza. Nie nadmuchiwać do ciśnienia przekraczającego 10 bar.



Ta sprężarka może się uruchomić bez ostrzeżenia.



Ryzyko pożaru lub wybuchu.

Miejsce natryskiwania musi być dobrze wentylowane. Nie palić podczas rozpylania ani nie rozpylać w miejscach, gdzie występują iskry lub otwarty płomień. Sprężarki powinny znajdować się jak najdalej od obszaru natryskiwania. Sprężarka powinna znajdować się przynajmniej 10 m od obszaru natryskiwania oraz od pozostałych wybuchowych oparów.



Ciśnienie regulowane



Ciśnienie w zbiorniku



Zużyte produkty elektryczne nie powinny być utylizowane z odpadami domowymi. Prosimy poddawać recyklingowi w odpowiednich miejscach. Informacje o właściwych metodach recyklingu można uzyskać u władz lokalnych lub sprzedawcy.

SYMBOLE W INSTRUKCJI



Części lub akcesoria sprzedawane oddzielnie



Uwaga



Ostrzeżenie

Poniższe symbole i nazwy które im nadano, pozwalają wyjaśnić różne poziomy ryzyka związanego z używaniem tego narzędzia.

NIEBEZPIECZEŃSTWO

Oznacza bezpośrednio niebezpieczną sytuację, która, jeśli nie zostanie uniknięta, spowoduje śmierć lub poważne urazy ciała.

OSTRZEŻENIE

Oznacza potencjalnie niebezpieczną sytuację, która, jeśli nie zostanie uniknięta, może spowodować śmierć lub poważne urazy ciała.

UWAGA

Oznacza potencjalnie niebezpieczną sytuację, która, jeśli nie zostanie uniknięta, może spowodować niewielkie lub umiarkowane urazy ciała.

UWAGA

(Bez symbolu bezpieczeństwa) Wskazuje na sytuację mogącą spowodować straty materialne.



Při konstrukci tohoto vzduchového kompresoru hrály hlavní roli bezpečnost, provozní vlastnosti a spolehlivost.

ZAMÝŠLENÉ POUŽITÍ

Tento vzduchový kompresor je určen pouze k poskytování stlačeného vzduchu. Nesmí být používán k stlačování žádného jiného plynu.

Tento kompresor je určen k pohonu pneumatického nářadí a nafukování pod vysokým tlakem, například automobilových a cyklistických pneumatik.

Produkt smí používat pouze dospělé osoby, které si přečetly a řádně pochopily pokyny a varování v tomto návodu, a mohou být považovány za zodpovědné za své činy.

Tento kompresor je určen pouze k používání v interiéru.

Nepoužívejte výrobek jinak než je uvedeno v určeném použití. Použití elektricky poháněného nástroje pro práce jiné, než zamýšlené by mohlo mít za následek nebezpečnou situaci.

VŠEOBECNÁ BEZPEČNOSTNÍ VAROVÁNÍ

⚠ VAROVÁNÍ

Přečtěte si všechny pokyny a bezpečnostní varování. Nedodržování upozornění a těchto pokynů může vést k úrazu elektrickým proudem, ke vzniku požáru nebo vážnému zranění.

Uschovejte si všechny pokyny a varování pro budoucí nahlédnutí.

⚠ VAROVÁNÍ

Pokud používáte elektrické nástroje, měly by být dodržovány základní bezpečnostní předpisy za účelem snížení nebezpečí požáru, elektrického úrazu a osobní újmy. Dříve než výrobek poprvé použijete, důkladně si přečtěte tyto pokyny a poté je uschovejte.

BEZPEČNOST PRACOVNÍ OBLASTI

- Udržujte pracoviště čisté. Zaházené oblasti a ponky vedou k nehodám. Nenechávejte nástroje nebo kusy dřeva na nástroji během její funkce.
- Kompresor nepoužívejte v nebezpečném prostředí. Nepoužívejte elektrické nástroje v dešti nebo ve vlhkých nebo mokřých prostředích. Mějte pracoviště dobře osvětlené.
- Udržujte děti a přihlížející v povzdálí. Všichni přihlížející musí mít nasazeny bezpečnostní brýle a musí dodržovat bezpečnou vzdálenost od místa výkonu práce. Nedovolte dalším osobám, aby se kompresoru během provozu dotýkali.
- Nikdy nepoužívejte ve výbušném ovzduší. Běžné jiskření motoru by mohlo zapálit výpary.

ELEKTRICKÁ BEZPEČNOST

- Pokud dojde k nesprávné funkci elektrické součástky kompresoru, přepněte vypínač napájení do polohy vypnuto a před obnovením provozu vyjměte z kompresoru a vraťte zpět baterii.

- Nevystavujte elektrické nástroje dešti nebo vysoké vlhkosti. Voda vnikající do elektricky poháněného nástroje zvyšuje nebezpečí elektrického úrazu.

OSOBNÍ BEZPEČNOST

- Buďte ostražití a obezřetní. Sledujte to, co děláte a používejte cit. Nepoužívejte nástroj, když jste unaveni. Nespěchejte.
- Správně se oblékejte. Nenoste volné oblečení nebo šperky; mohou se zachytit do pohyblivých částí. Pryžové rukavice a nekroužavá bezpečnostní obuv je doporučena pro venkovní práce. Máte-li dlouhé vlasy, noste pokrývku hlavy.
- Vždy noste bezpečnostní brýle s postranními štítky. Dioptrické brýle jsou pouze tvrzené; NENAHRADÍ bezpečnostní brýle.
- Chraňte Vaše plíce. Při práci používejte obličejový štít nebo protiprašný respirátor, pokud při práci vznikají jemné odpadové piliny.
- Chraňte svůj sluch. V průběhu dlouhodobého používání se doporučuje ochrany sluchu.
- Nepřeceňujte se. Udržujte řádné postavení a rovnováhu po celou dobu práce.
- Odstraňte seřizovací klíče a nástroje. Zvykněte si, abyste vždy pohledem zkontrolovali, zda jsou z přístroje před jeho zapnutím odstraněny všechny klíče a seřizovací klíče.

POUŽÍVÁNÍ KOMPRESORU A PÉČE O KOMPRESOR

- Nepřesahujte jmenovitý tlak žádného dílu systému.
- Chraňte materiálové a vzduchové vedení před poškozením či proražením. Zabraňte styku hadice s ostrými předměty, chemikáliemi, oleji, rozpouštědly a mokrou podlahou.
- Zkontrolujte hadice na opotřebení a únik před každým použitím, zabezpečte všechna spojení. Nepoužívejte, pokud zjistíte poškození. Kupte novou hadici či zavolejte do nejbližšího servisního centra pro odzkoušení nebo opravu.
- Pomalu uvolněte veškerý tlak v systému. Prach a nečistoty mohou být nebezpečné.
- Kompresor mimo provoz skladujte mimo dosah dětí a dalších nezpůsobilých nebo neobeznámených osob. Vzduchové kompresory jsou v rukou nezpůsobilých nebo neobeznámených osob nebezpečné.
- U vzduchových kompresorů provádějte pečlivou údržbu. Řiďte se pokyny k údržbě. Řádně udržované nástroje se snadněji ovládají.
- Zkontrolujte vychýlení nebo zasekávání pohybujících se částí, rozbité části a každé jiné podmínky, které mohou ovlivnit funkci nástrojů. Pokud je poškozen, musí být nástroj před použitím opraven. Mnoho úrazů je způsobeno nedostatečnou držbou nástrojů.
- Udržujte vnějšek kompresoru suchý, čistý a bez tuků a mastnot. Pro čištění používejte vždy čistý hadřík. Nikdy nepoužívejte brzdovou kapalinu, benzín, ropné výrobky ani silná rozpouštědla pro čištění nástroje. Tyto pokyny důsledně dodržujte, aby nedošlo k poškození krycího plasty.





SERVIS

- Při údržbě používejte pouze stejné náhradní díly. Použití jakýchkoliv jiných dílů může vytvořit nebezpečí nebo způsobit poškození výrobku.

Uchovejte si tyto pokyny. Přečtěte si pokyny uvedené v části o používání nářadí, ve které jsou uvedeny informace o způsobech zamezení zpětného vrhu a prevence úrazů. Uschovejte si tento návod, abyste se k němu mohli v budoucnosti vrátit.

BEZPEČNOSTNÍ UPOZORNĚNÍ K VZDUCHOVÉMU KOMPRESORU

- Seznamte se s výrobkem. Pozorně si přečtěte tento návod k obsluze. Důkladně si přečtěte informace týkající se používání stroje, jeho omezení a seznamte se s možným nebezpečím, kterého je nutné se vyvarovat. Tyto pokyny důsledně dodržujte, aby nedošlo ke vzniku požáru, úrazu elektrickým proudem nebo zranění.
- Každý den po používání vypusťte ze vzdušníku vodu. Pokud nebude kompresor po nějakou dobu používán, je nejlepší nechat výpustný ventil do dalšího používání otevřený. To umožní zbavit vzdušník veškeré vlhkosti a pomůže ochránit jeho vnitřek před korozi.
- Riziko požáru nebo výbuchu. Nestříkejte hořlavé kapaliny v malém prostoru. Stříkací oblast musí být dobře větrána. Nekuřte, když stříkáte nebo v blízkosti otevřeného ohně či jisker. Udržujte kompresor nejméně 10 m od prostoru postřiku a veškerých výbušných par.
- Riziko protřetí. Nenastavujte regulátor tak, že by výstupní tlak překročil označený maximální tlak připojeného zařízení. Nepoužívejte pod tlakem vyšším než 8,3 barů.
- K snížení rizika úrazu elektrickým proudem kompresor nevystavujte dešti. Výrobek skladujte v interiéru.
- Každoročně zkontrolujte, zda vzdušník vykazuje korozi, dírký nebo jiné vady, které by jej mohly učinit nebezpečným.
- Nikdy nelisujte či nevrtejte otvory do vzduchové nádrže.
- Ujistěte se, že hadice není ucpaná či přeložena. Zamotané hadice mohou způsobit ztrátu rovnováhy či postavení a může dojít k poškození.
- Kompresor používejte pouze k určenému účelu. Neměňte ani neupravujte stroj z výchozího nastavení.
- Vždy se vyvarujte nesprávné obsluhy tohoto nástroje, může dojít k poranění vás i ostatních.
- Nikdy nenechávejte kompresor bez dozoru s hadicí připojenou k nářadí.
- Pneumatickým nářadím nikdy nemířte na sebe ani jiné osoby.
- Nepoužívejte nástroj, který nemá čitelný varovný štítek.
- Zastavte používání nástroje či hadice, pokud netěsní či nepracuje správně.
- Před seřizováním, prováděním servisu a když není kompresor používán, vždy odpojte přívod vzduchu a vyjměte baterii.
- Nepokoušejte se výrobek přesouvat nebo převážet za hadici.
- Nářadí může vyžadovat více vzduchu, než kolik jej je kompresor schopný dodávat.

- Kromě všech bezpečnostních pravidel pro kompresor vždy dodržujte bezpečnostní pravidla doporučená výrobcem pneumatického nářadí. Dodržíte-li toto, snížíte nebezpečí poranění.
- Tok stlačeného vzduchu nikdy nesměřujte na žádné osoby, zvířata. Dávejte pozor, aby se nefoukali prach a nečistoty na sebe či ostatní. Dodržíte-li toto, snížíte nebezpečí poranění.
- Tento kompresor nepoužívejte na rozprašování chemikálií. Svě plíce můžete poškodit inhalací toxických výparů. Respirátor je nutný v prašném prostředí či při lakování. Nepoužívejte, když malujete.
- Pravidelně kontrolujte kabely a hadice nástroje, a pokud jsou poškozeny, nechejte je vyměnit v autorizovaném servisu. Při práci je vždy nutné mít na paměti, kde se nachází síťový kabel. Omezíte tak riziko úrazu elektrickým proudem.
- Zkontrolujte vychýlení nebo zasekávání pohybujících se částí, rozbité části a každé jiné podmičky, které mohou ovlivnit funkci nástrojů. Pokud je poškozen, musí být nástroj před použitím opraven. Mnoho úrazů je způsobeno nedostatečnou držbou nástrojů.
- Pokud je potřeba odejmout trvalé ochranné kryty kvůli pravidelné údržbě nebo opravě, musí zůstat upevňovací prvky po odejmutí připevněny ke krytu nebo k zařízení.
- Pneumatické nářadí nikdy neskladujte s připojenou vzduchovou hadicí. Skladování nářadí s připojenou vzduchovou hadicí může způsobit jeho nečekané spuštění nebo pohyb a případně vážný úraz.
- Chraňte Vaše plíce. Při práci používejte obličejový štít nebo protiprašný respirátor, pokud při práci vznikají jemné odpadové piliny. Dodržíte-li toto, snížíte nebezpečí poranění.
- Uchovejte si tyto pokyny. Přečtěte si pokyny uvedené v části o používání nářadí, ve které jsou uvedeny informace o používání výrobku. Uchovejte si tento návod, abyste se k němu mohli v budoucnosti vrátit.
- Obsluhujte přístroj z předního ovládacího panelu.
- Během funkce zařízení se mohou některé díly stroje zahřívát. Používejte osobní ochranné pomůcky, jako rukavice, abyste se nezranili vysokou teplotou.
- Kompresor není určen k použití osobami (včetně dětí) se sníženou fyzickou, smyslovou nebo duševní schopností nebo s nedostatkem zkušeností a znalostí. Je nutné dohlížet na děti, aby si s výrobkem nehrály.

BEZPEČNOSTNÍ VAROVÁNÍ K BATERII A NABÍJEČCE

⚠ VAROVÁNÍ

Abyste zabránili nebezpečí požáru způsobeného zkratem, poraněním nebo poškozením výrobku, neponořujte nářadí, výměnnou baterii nebo nabíječku do kapalin a zajistěte, aby do zařízení a akumulátorů nevnikly žádné tekutiny. Korodující nebo vodivé kapaliny, jako je slaná voda, určité chemikálie a bělicí prostředky nebo výrobky, které obsahují bělidlo, mohou způsobit zkrat.





- **K nabíjení použijte pouze nabíječku specifikovanou výrobcem.** Nabíječka, která je vhodná pro jeden typ baterie může způsobit nebezpečí požáru, pokud se používá s jinou baterií.
- **Elektrické nářadí používejte pouze s baterií, která je určena přímo pro něj.** Použití jakékoli jiné baterie může vést k riziku poranění a požáru.
- **Pokud bateriový modul nepoužíváte, uchovávejte jej mimo kovové předměty jako svorky pro papír, mince, klíče, hřebíky, šrouby nebo jiné malé kovové předměty, které mohou vytvořit propojení jednoho vývodu s druhým.** Zkratování vývodů baterie může způsobit popáleniny nebo požár.
- **Při špatném použití může dojít k vystříknutí tekutiny z baterie; nedotýkat se. V případě nechtěného kontaktu omyjte vodou. Pokud se tekutina dostane do očí, vyhledejte také odbornou lékařskou pomoc.** Tekutina vystříknutá z baterie může způsobit podráždění nebo popáleniny.
- **Přístroje na akumulátory se nepřipojují do elektrické sítě; proto jsou vždy v provozním stavu. Nezapomeňte na možná rizika spojená s používáním přístroje na akumulátory nebo s výměnou příslušenství.** Tyto pokyny důsledně dodržujte, aby nedošlo ke vzniku požáru, úrazu elektrickým proudem nebo zranění.
- **Neumísťujte přístroje na baterie nebo jeho baterie blízko ohně nebo tepla.** Tím se sníží riziko výbuchu a možného poranění.
- **Nemačkejte, nevyhazujte nebo neničte akumulátorový modul. Nepoužívejte akumulátorový modul nebo nabíječku, která upadla, nebo bylo do ní naraženo ostrým předmětem.** Poškozená baterie může vybuchnout. Ihned řádně zlikvidujte upadnutou nebo poškozenou baterii.
- **Akumulátory mohou explodovat v přítomnosti zdroje zapalování, například hořáků.** Pro snížení nebezpečí vážného poranění osob nikdy nepoužívejte žádný bezdrátový výrobek v blízkosti plamene. Vybuchnutá baterie může vymrštit úlomky a chemikálie. Pokud dojde k náhodnému kontaktu, omyjte ihned vodou.
- **Výrobek na baterie nenabíjejte ve vlhkých ani mokřích prostředích.** Omezíte tak riziko úrazu elektrickým proudem.
- **Pro nejlepší výsledky je nutno dobít baterii zařízení v místě, kde se teplota pohybuje v rozmezí od 10°C do 38°C.** Pro snížení nebezpečí vážného poranění osob neskladujte ve venkovním prostoru nebo ve vozidlech.
- **Při náročném používání nebo teplotních podmínkách může baterie vytéci.** Dojde-li ke kontaktu s kůží, ihned opláchnete zasažené části důkladně vodou se saponátem. Budou-li vaše oči zasaženy elektrolytem, vyplachujte je čistou vodou alespoň 10 minut, pak okamžitě vyhledejte lékařskou pomoc. Dodržte-li toto, snížíte nebezpečí poranění.
- **Nepoužívejte baterii, která je poškozená nebo upravená.** Poškozené nebo upravené baterie se mohou chovat nepředvídatelně a důsledkem může být požár, výbuch nebo úraz.

- **Poškozenou baterii, neopravujte, ani se ji nepokoušejte opravit.**
- **Nevystavujte baterii ani nástroj ohni nebo příliš vysokým teplotám.** Vystavení ohni nebo teplotám nad 130°C může způsobit výbuch.
- **Postupujte podle všech pokynů k nabíjení a nenabíjejte baterie nebo nářadí mimo teplotní rozsah uvedený v návodu.** Nesprávné nabíjení nebo nabíjení při teplotách mimo uvedený rozsah může poškodit baterii a zvýšit riziko požáru.

TRANSPORT LITHIOVÝCH BATERIÍ

Přenos baterie dle místních a národních opatření a předpisů.

Dodržujte všechny zvláštní požadavky na balení a značení při transportu baterii třetí stranou. Zajistěte, aby žádné baterie nepřišly do kontaktu s jinými bateriemi nebo vodivými materiály při transportu pomocí ochrany nekrytých kontaktů prostřednictvím izolace, nevodivých krytek či lepicích pásek. Nepřepravujte prasklé nebo baterie s unikajícím elektrolytem. Ptejte se u zásilkové společnosti na další radu.

BATERIE

Baterie, které nebyly nějakou dobu používány, by měly být před použitím dobít.

Teploty přesahující 50°C (122°F) snižují výkon akumulátoru. Vyvarujte se delšímu vystavení horku nebo slunečnímu svitu (riziko přehřátí).

Kontakty nabíječek a baterii musí být udržovány čisté.

K zajištění optimální životnosti je nutné baterie po použití plně dobít.

Chcete-li získat co nejdelší životnost baterie, odpojte po plném dobíjení baterii od nabíječky.

Při nepoužívání baterie po dobu delší než 30 dní:

- Uložte baterii na místě s teplotou pod 27 °C a bez vlhkosti.
- Skladujte baterie ve stavu nabití na 30–50 % kapacity.
- Každého půl roku skladování baterii normálním způsobem nabíjte.

OCHRANA BATERIE

Baterie obsahuje ochranu proti přetížení, která pomáhá prodlužovat její životnost. Při příliš velkém zatížení vypnou elektronické obvody baterie připojené zařízení. Restartování proveďte vypnutím a opětovým zapnutím zařízení. Pokud se zařízení nespustí, může být úplně vybitá baterie. V takovém případě je potřeba ji nabít v nabíječce.

ZBYTKOVÁ RIZIKA

Dokonce, i když se výrobek provozuje jak je předepsáno, je stále nemožné zcela eliminovat veškeré zbytkové rizikové faktory. Následující nebezpečí mohou nastat při používání; vyhýbejte se:

- Kompresor používejte pouze k určenému účelu. Neměřte ani neopravujte stroj z výchozího nastavení.
- Vždy se vyvarujte nesprávné obsluhy tohoto nástroje, může dojít k poranění vás i ostatních.





- Nikdy nenechávejte kompresor bez dozoru s hadicí připojenou k nářadí.
- Zastavte používání nástroje či hadice, pokud netěsní či nepracuje správně.
- Riziko protřžení.
 - Nenastavujte regulátor tak, že by výstupní tlak překročil označený maximální tlak připojeného zařízení.
- Při chodu motoru a pístové trubice se vytváří teplo a vzniká vysoká teplota. Dotyk odkrytého kovu může způsobit vážné popáleniny.
 - Vzduchový kompresor musí být vždy mimo pracovní prostor.
- Zranění způsobené hlukem
 - Noste ochranu sluchu.
- Plyn ze vzduchového kompresoru může způsobit prudký pohyb nečistot, úlomků, volných částic a malých předmětů. Toto může způsobit poškození zraku zasazením očí odmrštěnými předměty nebo jiný vážný úraz.
 - Při používání různého nářadí vždy používejte řádné osobní ochranné prostředky.

SEZNAMTE SE S VÝROBKEM

Viz strana 195.

1. Držáky na smotání hadice
2. Rychlospojka
3. Spojka PCL, BSP 1/4" pro vysoký průtok s vnějším závitem
4. Tlakoměr nádrže
5. Regulátor tlaku
6. Regulační tlakoměr
7. Přenášeč rukojet'
8. Pojistný ventil
9. Spínač On/Off (Zapnuto/Vypnuto)
10. Bateriový modul
11. Vypouštěcí ventil
12. Resetovací tlačítko

VYBALTE

Důkladně nástroj zkontrolujte, zda během přepravy nedošlo k polámání nebo poškození výrobku.

Obalový materiál nevyhazujte, dokud výrobek pečlivě nezkontrolujete a úspěšně nezprovozníte.

VAROVÁNÍ

Pokud jsou některé díly poškozené nebo chybí, výrobek nepoužívejte, dokud nebudou díly vyměněny. Použití výrobku s poškozenými nebo chybějícími díly může způsobit úraz.

VAROVÁNÍ

Nepokoušejte se nepokoušejte upravovat ani nevytvářejte žádné příslušenství, které není doporučeno pro toto nářadí. Jakékoliv úpravy nebo přestavby znamená nesprávné používání, což může mít za následek nebezpečné podmínky vedoucí k vážným poraněním osob.

VAROVÁNÍ

Aby se zabránilo náhodnému spuštění, které by mohlo způsobit úraz, při sestavování dílů vždy z kompresoru vyjměte baterii.

OBSLUHA

PŘÍPRAVA

Připojování/odpojování vzduchové hadice

Viz strana 196.

POZNÁMKA: Při provozu s tlakem nad 7 barů (102 psi) musí být výstupní hadice osazeny bezpečnostní šňůrou, například ocelovým lankem.

1. Vypínač napájení musí být v poloze vypnuto (O) a baterie odpojena.
2. Odaretujte povytažením otočný regulátor. Otočným regulátorem otočte proti směru chodu hodinových ručiček až nadoraz.
3. Potvrďte, že výstupní tlak je na nula bar.
4. Připojte vzduchovou hadici s přípojkou k rychlospojce 6,35 mm (1/4") na vzduchovém kompresoru. Přípojka musí být zatlačena do spojky až nadoraz, dokud objímka spojky nezaskočí k zajištění polohy přípojky.

K odpojení vzduchové hadice nebo pneumatického nářadí:

1. Odaretujte povytažením otočný regulátor. Otočným regulátorem otočte proti směru chodu hodinových ručiček až nadoraz.
2. Potvrďte, že výstupní tlak je na nula bar.
3. Zatáhněte dozadu uvolňovací objímku na 6.45 mm (1/4 in.) rychlospojce. Pevným úchopem vytáhněte přípojku hadice, která je připojena k rychlospojce.

Připojování/vyjímání baterie

1. Vypínač napájení musí být v poloze vypnuto (O).
2. Zasuňte baterii do otvoru pro baterii.
3. Před zahájením činnosti se ujistěte, že západky na každé straně bateriového modulu se zachytily na svém místě a bateriový modul je v přístroji zajištěn.
4. Stisknutím blokovací pojistky pro uvolnění akumulátorového modulu.
5. Úplné pokyny k nabíjení najdete v provozní příručce k baterii a nabíječce.

POUŽÍVÁNÍ VZDUCHOVÉHO KOMPRESORU

NEBEZPEČÍ

Nedemontujte ventil odvodňování vzdušníku ani bezpečnostní ventil, pokud je ve vzdušníku vzduch. Vypustte ze vzdušníku vzduch. Pokud není provedeno odtlakování vzdušníku, může dojít k výbuchu a vážnému úrazu.

VAROVÁNÍ

Noste vždy ochranu očí s bočními štíty. Pochybení tak může způsobit vniknutí cizího tělesa do očí a způsobit vážná osobní poranění.





⚠ VAROVÁNÍ

Používejte pouze náhradní díly a příslušenství doporučené výrobcem. Používání doplňků a příslušenství nedoporučených výrobcem mohou způsobit vážná osobní poranění.

⚠ VAROVÁNÍ

Nepřipojujte žádné nástroje k otevřenému konci hadice, dokud se neprovede spouštění.

⚠ VAROVÁNÍ

Vždy vyndávejte z vašeho nástroje akumulátorový modul, když montujete díly, provádíte seřizování, čistíte, nebo když se nástroj nepoužívá. Vyndáním akumulátorového modulu předejdete náhodnému spuštění a tím možnému vážnému poranění osob.

⚠ VAROVÁNÍ

Nikdy nepoužívejte v prašném či jinak kontaminovaném prostředí. Používání vzduchového kompresoru v takovém prostředí může způsobit jeho poškození.

Seřízení tlaku vzduchu

Viz strana 197.

1. Vypínač napájení musí být v poloze vypnuto (O) a baterie vyjmuta.
2. Připojte baterii ke kompresoru.
3. Přepněte vypínač napájení do polohy zapnuto (I).
4. Odaretujte povytažením otočný regulátor.
5. Otočte regulátorem tlaku na požadovanou hodnotu. Otáčením regulátoru doprava zvyšuje tlak vzduchu na výstupu. Otáčením doleva snižuje tlak vzduchu na výstupu. Zatlačením otočného regulátoru aretujte jeho polohu na nastavené hodnotě.
6. Při dodržení všech bezpečnostních opatření popsanych v této příručce a pokynů výrobce v příručce k pneumatickému nářadí můžete nyní přikročit k používání pneumatického nářadí.

⚠ VAROVÁNÍ

Pneumatické nářadí může vyžadovat více vzduchu, než je tento vzduchový kompresor schopen dodat. Zkontrolujte ručně nástroj, abyste zabránili jeho poškození či osobnímu poranění.

7. Ovládejte množství toku vzduchu regulátorem tlaku. Otočte regulátoru nadoraz proti směru chodu hodinových ručiček zcela zastaví průtok vzduchu.
- POZNÁMKA:** Vždy používejte minimální množství tlaku nezbytného pro vaši práci. Použití vyššího tlaku než potřebného vypouští vzduch z nádrže a způsobuje častější zapínání přístroje.
8. Vzduchový kompresor vypnete přepnutím vypínače napájení do polohy vypnuto (O).

POZNÁMKA: Pokud je vypínač napájení v poloze zapnuto (I), vzduchový kompresor se automaticky

spustí při poklesu tlaku ve vzdušniku pod nastavenou hodnotu. Jeho činnost se opět zastaví při dosažení požadovaného tlaku.

⚠ VAROVÁNÍ

Nikdy nepřekračujte jmenovitý tlak vzduchu pro pneumatické nářadí doporučený výrobcem. Při používání kompresoru k nafukování vždy dodržujte pokyny pro maximální nafouknutí uvedené výrobcem výrobku, který nafukujete.

⚠ VAROVÁNÍ

Před výměnou pneumatického nářadí nebo odpojováním hadice od vývodu vzduchu musí být vypínač napájení vždy v poloze vypnuto (O) a hodnota tlaku na tlakoměru regulátoru musí být na nule. Pochybení tak může způsobit případně vážné osobní poranění.

9. Po dokončení vždy odvodněte vzdušník a vyjměte baterii. Nikdy nenechávejte kompresor v provozu nebo připojený k baterii.

ODVODŇOVÁNÍ VZDUŠNIKU

Viz strana 198.

Pro prevenci koroze vzdušniku a odstranění vlhkosti ze vzdušniku je potřeba jej denně odvodňovat.

K odvodnění vzdušniku:

1. Vypínač napájení musí být v poloze vypnuto (O).
 2. Vyjměte baterii.
 3. Zatáhněte za kroužek na přetlakovém ventilu a nechte tlak na tlakoměru regulátoru klesnout pod 1,4 baru (20 psi).
 4. Uvolněte kroužek.
 5. Vlhkost vypustíte otočením páčky odvodňovacího ventilu proti směru chodu hodinových ručiček.
- POZNÁMKA:** Kondenzát je odpadní materiál a musí se likvidovat v souladu s místními nařízeními.
6. Odvodňovací ventil zavřete otočením jeho páčky po směru chodu hodinových ručiček.

RESETOVACÍ TLAČÍTKO

Pokud proud do motoru vzduchového kompresoru překročí stanovenou hodnotu, vzduchový kompresor se automaticky vypne.

K resetování vzduchového kompresoru:

1. Vyjměte baterii.
2. Vypněte nástroj.
3. Nechte tři minuty vychladnout motor.
4. Stiskněte tlačítko reset.
5. Připojte baterii ke kompresoru.
6. Zařízení zapněte.

VÝMĚNA SPOJKY

Viz strana 199.

1. Vypínač napájení musí být v poloze vypnuto (O).
2. Vyjměte baterii.
3. Zatáhněte za kroužek na přetlakovém ventilu a nechte tlak na tlakoměru regulátoru klesnout pod 1,4 baru (20 psi).

EN
FR
DE
ES
IT
NL
PT
DA
SV
FI
NO
RU
PL
CS
HU
RO
LV
LT
ET
HR
SK
SL
BG
UK
TR
EL



4. Uvolněte kroužek.
5. Pomocí klíče na matice povolte a vyjměte spojku otáčením proti směru chodu hodinových ručiček.
6. Pomocí klíče na matice nasadte novou spojku a utáhněte ji otáčením po směru chodu hodinových ručiček.

PŘEPRAVA A SKLADOVÁNÍ

Viz strana 200 - 201.

1. Vypínač napájení musí být v poloze vypnuto (O).
2. Vyjměte baterii.
3. Spusťte chod pneumatického nářadí, aby se uvolnil tlak v hadici, a potom vzduchovou hadici a pneumatické nářadí odpojte. Uvolněte vzduch povytažením přetlakového ventilu.
4. Vypusťte vodu ze vzdušniku podle pokynů v oddíle „Odvodňování vzdušniku“.
5. Kompresor vyčistěte suchým hadříkem.
6. Hadici namotejte na držáky na smotávání hadice.
7. Kompresor při přenášení držte za úchop pro přenášení.
8. Kompresor skladujte v normální provozní poloze na suchém a chráněném místě.

VAROVÁNÍ

Během provozu kompresoru se ve vzdušniku sráží voda. Voda ponechaná ve vzdušniku může způsobit snížení jeho objemu a korozi, která zvyšuje riziko vzniku trhlin v plášti vzdušniku.

VAROVÁNÍ

Když není používáno nebo je prováděn servis, vždy odpojte od pneumatického nářadí vzduchovou hadici. Nářadí připojené k vzduchové hadici se může během provádění údržby náhodně spustit a způsobit vážný úraz!

VAROVÁNÍ

Nevyjmutí baterie ze vzduchového kompresoru před uskladněním může způsobit trvalý chod kompresoru, jeho přehřátí a poškození, případně požár.

ÚDRŽBA

OBCENÁ ÚDRŽBA

- Vyhněte se používání rozpouštědel, když čistíte plastové díly. Mnoho plastů je citlivých na poškození různými typy komerčních rozpouštědel a mohou se poškodit při jejich použití. Používejte čisté utěrky pro odstranění nečistot, prachu, oleje, mastnoty, atd.
- Nikdy nenechte přijít brzdové kapaliny, petrolej, výrobky založené na petroleji, pronikavé oleje, atd. do kontaktu s plastovými součástmi. Tyto výrobky obsahují chemikálie, které mohou poškodit, oslabit nebo zničit plastové části, případně snížit jejich životnost a být příčinou úrazu.
- Před čištěním nebo prováděním oprav kompresoru vždy uvolněte tlak, vyjměte baterii a nechte kompresor vychladnout na dotyk.

- Nepoužívejte s výrobkem příslušenství nebo doplňky, jež nejsou schváleny výrobcem. Vaše bezpečnost i bezpečnost osob, které se nacházejí v blízkosti, může být ohrožena.
- Nepoužívejte výrobek, pokud nějaké přepínače, kryty nebo jiné funkce nefungují tak, jak bylo zamýšleno. Odevzdejte nejbližšímu servisnímu středisku k profesionální opravě.
- Před seřizováním, promazáváním nebo prováděním údržby se vždy ujistěte, že byla z výrobku vyjmuta baterie.
- Před každým použitím zkontrolujte výrobek na poškození nebo zničené části. Udržujte výrobek ve špičkovém provozním stavu neprodlenou výměnou dílů za náhradní díly schválené výrobcem.

VAROVÁNÍ

Pro lepší bezpečnost a bezporuchovost by mělo opravu provádět pověřené autorizované servisní středisko.

OCHRANA ŽIVOTNÍHO PROSTŘEDÍ



V rámci možností neodhazujte vysloužilé nářadí do domovního odpadu a upřednostněte jeho recyklaci. V souladu s předpisy na ochranu životního prostředí odkládejte vysloužilé nářadí, příslušenství i obalový materiál do tříděného odpadu.

SYMBOLY NA VÝROBKU



Bezpečnostní výstraha



Před spuštěním přístroje si řádně přečtěte pokyny.



Shoda CE



Euroasijská značka shody



Ukrajinská značka shody



Při práci se strojem neustále nosit ochranné brýle.



Používejte chrániče sluchu.



Použití v interiéru



Výstraha před mokrým prostředím. Nevystavujte dešti. Uchovávejte ve vnitřních prostorech.



Ohrožení dýchacích orgánů. Vzduch vycházející přímo ze vzduchového kompresoru nesmí být nikdy použit pro dýchání.



Riziko protržení. Nenastavujte regulátor tak, že by výstupní tlak překročil označený maximální tlak připojeného zařízení. Nepoužívejte pod tlakem vyšším než 10 barů.



Tento kompresor může sám od sebe spustit svůj chod.



Riziko požáru nebo výbuchu. Stříkací oblast musí být dobře větrána. Nekuřte, když stříkáte nebo v blízkosti otevřeného ohně či jisker. Udržujte kompresory co nejdále od stříkané oblasti. Udržujte kompresor alespoň 10 m od stříkané oblasti a všech výbušných par.



Regulovaný tlak



Tlak ve vzdušníku



Odpad elektrických výrobků se nesmí likvidovat v domovním odpadu. Recyklujte prosím na sběrných místech. Ptejte se u místních úřadů nebo prodejce na postup při recyklaci.

SYMBOLY POUŽITÉ V NÁVODU



Díly nebo příslušenství jsou v prodeji samostatně



Poznámka



Varování

Následující signální slova a významy jsou vhodné pro vysvětlení úrovně nebezpečí spojených s tímto výrobkem.

NEBEZPEČÍ

Upozorňuje na bezprostředně nebezpečnou situaci, která vede k usmrcení nebo těžkému zranění.

VAROVÁNÍ

Upozorňuje na možnou nebezpečnou situaci, která by mohla vést ke smrtelnému úrazu nebo k závažnému zranění.

POZOR

Upozorňuje na možnou nebezpečnou situaci, která může vést k menšímu nebo lehkému zranění.

POZOR

(Bez bezpečnostního výstražného symbolu) Určuje situaci, která může mít za následek vážné poškození.



A kompresszor kialakítása során elsődleges szempont volt a biztonság, a teljesítmény és a megbízhatóság.

RENDELTESSZERŰ HASZNÁLAT

A kompresszor kizárólag sűrített levegő előállítására lett tervezve. Tilos bármilyen más gáz sűrítésére használni.

A termék levegővel hajtott szerszámok működtetésére, illetve magas belső nyomással rendelkező elemek (pl. autógumik, bicikligumik) felfújására lett tervezve.

A terméket kizárólag beszámítható felnőttek használhatják, ha elolvasták és megértették a jelen kézikönyv utasításait és figyelmeztetéseit.

A terméket kizárólag beltérben szabad használni.

Ne használja a terméket a rendeltetésétől eltérő célra. A szerszám gép rendeltetésétől eltérő műveletekre való használata veszélyes helyzeteket eredményezhet.

ÁLTALÁNOS BIZTONSÁGI FIGYELMEZTETÉSEK

FIGYELEM

Olvassa el az összes biztonsági figyelmeztetést és utasítást. A figyelmeztetések és előírások be nem tartása elektromos áramütést, tüzet és/vagy súlyos sérülést eredményezhet.

A jövőbeli felhasználásra őrizze meg az összes figyelmeztetést és útmutatót.

FIGYELEM

Elektromos szerszám gépek használatakor a tűz, elektromos áramütés és a személyi sérülés veszélyének csökkentése érdekében az alapvető biztonsági óvintézkedéseket mindig be kell tartani. Mielőtt a termék használatával próbálkozik, olvassa el az összes utasítást, és őrizze meg a későbbi használatra.

A MUNKATERÜLET BIZTONSÁGA

- Tartsa tisztán a munkaterületet. A rendetlen területek és munkapadok vonzzák a baleseteket. Ne hagyjon szerszámokat vagy fadarabokat a gépen működés közben.
- A terméket tilos veszélyes környezetben használni. Ne használja a szerszám gépeket nedves vagy nyirkos helyeken, és ne tegye ki esőnek. Jól világítsa meg a munkaterületet.
- Tartsa távol a gyerekeket és a látogatókat. Minden látogatónak védőszemüveget kell viselnie, és biztonságos távolságba kell tartózkodnia a munkaterülettől. Biztosítsa, hogy a vásárlók ne érhessenek a kompresszorhoz annak működése közben.
- Soha ne használja robbanásveszélyes környezetben. A motor szikrázása begyűjthatja a gőzöket.

ELEKTROMOS BIZTONSÁG

- Amennyiben a termék bármely elektronikus alkatrész hibásan működik, kapcsolja le az áramellátó kapcsolót, válassza le a termék akkucsomagját, majd helyezze

vissza a használat folytatása előtt.

- Ne tegye ki az elektromos szerszámokat esőnek vagy nedves környezetnek. Az elektromos gépekbe kerülő víz növeli az áramütés kockázatát.

SZEMÉLYI BIZTONSÁG

- Legyen éber és gyakorolja az irányítást. Figyeljen arra, amit csinál, és használja az összes érzékszervét. Ne használja a gépet, ha fáradt. Ne siessen.
- Viseljen megfelelő ruházatot. Ne viseljen laza ruházatot, nyakláncot vagy ékszereket; ezek beakadhatnak a mozgó alkatrészekbe és Önt is hozzájuk húzhatják. Szabadban végzett munkához gumikesztyű és csúszásmentes lábbeli viselete ajánlott. Ha hosszú a haja, viseljen hajvédőt.
- Mindig viseljen oldalellenzővel rendelkező védősisakot. Az egyszerű szemüvegeknek csak ütészálló lencséjük van, ezek azonban NEM védőszemüvegek.
- Védje a tüdejét. Amennyiben a munkálatok során por termelődik, használjon arc- vagy porvédő álarcot is.
- Védje a hallását. Hosszabb idejű használat közben viseljen fülvédőt.
- Ne hajoljon ki túlságosan. Mindig tartson megfelelő testtartást és egyensúlyt.
- Távolítsa el a beállító kulcsokat és csavarkulcsokat. Bekapcsolás előtt szokásszerűen ellenőrizze, hogy a csavarkulcsokat és a beállító kulcsokat eltávolította a gépről.

A KOMPRESSZOR HASZNÁLATA ÉS KARBANTARTÁSA

- Ne lépje túl a rendszer egyes összetevőinek nyomásbesorolását.
- Védje az anyagtovábbító- és a légvezetéseket a károsodástól vagy kiszűrődéstől. Tartsa távol a tömlőt az éles tárgyaktól, vegyi szennyeződésektől, olajtól, oldószerektől illetve a padlón található nedvességtől.
- Minden használat előtt ellenőrizze a tömlők szilárdságát és elhasználódását, valamint az egyes csatlakozások megfelelőségét. Ne használja, ha hibát észlelt. Vásároljon új tömlőt vagy értesítse a hivatalos szervizközpontot az átvizsgálásról vagy javításról.
- Lassan nyomásmentesítse a rendszert. A por és a szennyeződések ártalmasak lehetnek.
- A használaton kívüli kompresszort úgy tárolja, hogy ne férjenek hozzá gyermekek és más képzetlen személyek. A kompresszor a nem képzett felhasználók kezében veszélyes.
- A kompresszort a kellő óvatossággal tartsa karban. Kövesse a karbantartási útmutatót. A megfelelően karbantartott szerszámokat könnyebb használni.
- Ellenőrizze a mozgó alkatrészek akadását vagy helytelen beállítását, az alkatrészek törését és minden más körülményt, ami hatással lehet a gép működésére. Ha sérült, a szerszámot az újbóli használat előtt meg kell javítani. A rosszul karbantartott szerszámok sok balesetet okoznak.
- A termék külsejét tartsa tisztán, szárazon, és olajtól, illetve kenőanyagtól mentesen. Tisztításhoz mindig egy tiszta törülőruhát használjon. Ne használjon fékfolyadékot, benzint, petróleum-alapú termékeket





vagy erős oldószereket az egység tisztításához. A szabály betartása csökkenti a műanyag burkolat károsodásának kockázatát.

SZERVIZELÉS

- Szervizeléskor csak azonos cserealkatrészeket használjon. Bármilyen más alkatrész használata veszélyes és a termék károsodását okozhatja.

Őrizze meg ezt az útmutatót. Időnként olvassa el és használja más felhasználók betanításakor. Ha kölcsönadja valakinek a gépet, adja hozzá a használati utasítást is.

A KOMPRESSZORRAL KAPCSOLATOS BIZTONSÁGI FIGYELMEZTETÉSEK

- Ismerje meg a terméket. Olvassa el figyelmesen a használati útmutatót. Tanulja meg a gép alkalmazási módjait és korlátait, valamint a géppel kapcsolatos specifikus potenciális veszélyeket is. Ezen előírás betartása jelentősen csökkenti az áramütés-, a tűz- és a súlyos sérüléssel járó balesetek veszélyét.
- Minden nap végén, használat után távolítsa el a nedvességet a légtartályból. Amennyiben egy darabig nem használja a terméket, a következő használatig a legjobb nyitva hagyni a leeresztő szelepet. Ez lehetővé teszi, hogy teljesen távozzon a nedvesség, és így segít megelőzni a légtartály belsejének korrózióját.
- Tűz vagy robbanás veszélye. Ne permetezzen gyúlékony folyadékokat zárt térben. A szórási területnek jól szellőzőttnnek kell lennie. Ne dohányozzon permetezés közben, és ne permetezzen szikrák vagy nyílt láng jelenlétében. A terméket legalább 10 m-re távolítsa el a permetezett területektől, illetve bármilyen robbanékony páratól.
- Robbanásveszély. A szabályozót tilos átállítani a csatlakozó jelzett maximum értékénél nagyobb kimeneti nyomás elérése érdekében. Ne használja 8.3 bar értéknel nagyobb nyomásnál.
- Az áramütés kockázatának csökkentéséhez a terméket ne tegye ki esőre. Beltéren tárolja a terméket.
- Évente vizsgálja át a légtartályt, hogy nincsenek-e rajta rozsdafoltok, szeglyukak vagy egyéb olyan hibák, amelyek veszélyeztethetik annak biztonságosságát.
- Ne hegessze a levegőtartályt, és ne fúrjon lyukat bele.
- Győződjön meg róla, hogy a tömlő nem akadt el és nincs összegabalyodva. Beakadt vagy összetekeredett tömlők egyensúly- vagy támaszvesztést okozhatnak és károsodhatnak.
- A terméket csak rendeltetési céljának megfelelően használja. Ne alakítsa át és ne módosítsa a berendezés eredeti kialakítását vagy funkcióját.
- Mindig legyen tudatában annak, hogy a szerszám helytelen használata és kezelése során sérüléseket okozhat önmagának és másoknak.
- Soha ne hagyja őrizetlenül a terméket, amíg a tömlő csatlakoztatva van bármilyen eszközhöz.
- Soha ne irányítson bármilyen, sűrített levegővel működő eszközt önmaga vagy mások felé.
- Ne működtesse a gépet, ha nincs rajta a törvényben előírt figyelmeztető címke.

- Ne használja tovább a levegőt szivárogató vagy nem megfelelően működő terméket vagy tömlőt.
- A termék beállítása, szervizelése vagy üzemen kívül helyezése előtt mindig válassza le az akkumulátorcsomagot, illetve a levegőellátást.
- Ne próbálja a tömlőnél fogva húzni vagy szállítani a terméket.
- Lehetőséges, hogy az Ön eszközeinek nagyobb a levegő-felhasználása, mint amit a termék biztosítani képes.
- A kompresszorra vonatkozó minden biztonsági szabály mellett mindig kövesse az Ön levegővel működő eszközeinek gyártója által javasolt összes biztonsági szabályt. Ezen előírás betartása csökkenti a súlyos sérülések veszélyét.
- Ne irányítsa a sűrített levegőt emberek vagy állatok felé. Ügyeljen rá, hogy ne fújjon port és más anyagokat önmaga vagy mások felé. Ezen előírás betartása csökkenti a súlyos sérülések veszélyét.
- Ne használja a terméket vegyszerek szórására. A tüdeje a mérgező gőzök belégzésekor károsodhat. Állarc viselete lehet szükséges poros környezetben vagy festékszórásakor. Ne szállítsa festés közben.
- Rendszeresen vizsgálja át a szerszám tápkábeleit és a tömlőket, sérülés esetén a legközelebbi hivatalos szervizközpontban javíttassa meg azokat. A munka közben ügyeljen arra, hogy mindig tudja, hol van a vezeték. Ezáltal csökkentheti az áramütés veszélyét.
- Ellenőrizze a mozgó alkatrészek akadását vagy helytelen beállítását, az alkatrészek törését és minden más körülményt, ami hatással lehet a gép működésére. Ha sérült, a szerszámot az újbóli használat előtt meg kell javítani. A rosszul karbantartott szerszámok sok balesetet okoznak.
- Amikor a rögzített védőlemezek az időszakos karbantartás vagy javítás céljából lekerülnek, a rögzítőszerkezetüket hagyja vagy a védőlemezekhez, vagy a berendezéshez csatlakoztatva.
- Az eszközt tilos csatlakoztatott tömlővel tárolni. Amennyiben az eszközt levegőellátáshoz csatlakoztatva tárolja, a termék váratlanul bekapcsolhat, levegőt fújhat ki vagy megmozdulhat, ami komoly személyi sérüléshez vezethet.
- Védje a tüdejét. Amennyiben a munkálatok során por termelődik, használjon arc- vagy porvédő állarcot is. Ezen előírás betartása csökkenti a súlyos sérülések veszélyét.
- Őrizze meg ezt az útmutatót. Időnként olvassa el és használja a terméket esetleg használó más személyek betanításakor. Ha kölcsönadja valakinek a gépet, adja hozzá a használati utasítást is.
- A gépet a kezelőpanel előtt állva működtesse.
- Működés közben a gép számos alkatrésze magas hőmérsékletre melegedhet. Használja a szükséges személyi védőberendezéseket, például kesztyűt, hogy elkerülje a magas hőmérséklet okozta sérüléseket.
- A terméket nem használhatja gyermekek, illetve korlátozott fizikai, érzékszervi vagy értelmi képességekkel rendelkező, vagy a kellő tapasztalattal és tudással nem rendelkező személyek. A gyermekekre ügyelni kell, hogy ne játszanak a termékkel.

EN
FR
DE
ES
IT
NL
PT
DA
SV
FI
NO
RU
PL
CS
HU
RO
LV
LT
ET
HR
SL
SK
BG
UK
TR
EL



AKKUMULÁTORRA ÉS TÖLTŐRE VONATKOZÓ BIZTONSÁGI FIGYELMEZTETÉSEK

▲ FIGYELEM

A rövidzárlat általi tűz, sérülések vagy termékkárosodások veszélye elkerülésére ne merítse a szerszámot, a cserélhető akkut vagy a töltőkészüléket folyadékokba, és gondoskodjon arról, hogy ne hatoljanak folyadékok a készülékekbe és az akkukba. A korrozív hatású vagy vezetőképes folyadékok, mint pl. a sós víz, bizonyos vegyi anyagok, fehérítők vagy fehérítő tartalmú termékek, rövidzárlatot okozhatnak.

- **Csak a gyártó által megadott töltőt használja a feltöltéshez.** Egy adott akkumulátortípushoz való töltő egy másik típusú akkumulátorral való használata tűzveszélyes lehet.
- **A nagy teljesítményű gépeket csak kifejezetten azokhoz tervezett akkumulátorral használja.** Bármilyen más akkucsomag használata sérülés és tűz veszélyét okozhatja.
- **Az akkumulátort használaton kívül tartsa távol más fém tárgyaktól, úgymint gemkapcsoktól, érméktől, kulcsoktól, szögektől, csavaroktól vagy más kisméretű fém tárgyaktól, amelyek rövidre zárhatják a két érintkezőt.** Az akkumulátor pólusaruinak rövidre zárása égést vagy tüzet okozhat.
- **Helytelen körülmények között folyadék léphet ki az akkumulátorból, amihez ne érjen hozzá. Ha véletlenül mégis hozzáér, öblítse le vízzel. Ha a folyadék a szemébe kerül, forduljon orvoshoz.** Az akkumulátorból kilépő folyadék irritációt vagy égési sérüléseket okozhat.
- **Az akkumulátoros termékeket nem kell az elektromos hálózathoz csatlakoztatni, azok mindig készen állnak a használatra. Legyen tisztában a lehetséges veszélyekkel, amikor az akkumulátoros terméket használaton kívül van, vagy a tartozékokat cseréli.** Ezen előírás betartása jelentősen csökkenti az áramütés-, a tűz- és a súlyos sérüléssel járó balesetek veszélyét.
- **Az akkumulátoros termékeket vagy az akkumulátort ne tegye tűz vagy hőforrás közelébe.** Ezzel csökkenti a robbanás és az esetleges sérülés kockázatát.
- **Ne törje össze, ne dobja le és ne károsítsa az akkumulátort. Ne használja az akkumulátort vagy töltőt, ha leesett vagy erős ütés érte.** A sérült akkumulátor felrobbanhat. A leejtett vagy megsérült akkumulátort azonnal dobja ki, odafigyelve az erre vonatkozó előírásokra.
- **Az akkumulátorok lángforrás, például gyújtóláng jelenlétében felrobbanhatnak.** A súlyos személyi sérülések veszélyének csökkentése érdekében ne használja az akkumulátoros termékeket nyílt láng jelenlétében. A felrobbanó akkumulátorból szilánkok és vegyszerek repülhetnek ki. Felrobbanáskor azonnal locsolja le vízzel.
- **Az akkumulátoros terméket ne töltsen nedves vagy vizes helyeken.** Ezáltal csökkentheti az áramütés veszélyét.
- **A lehető legjobb eredmény érdekében a terméket**

olyan helyen töltsen, ahol a hőmérséklet 10 °C és 38 °C között van. A súlyos személyi sérülések elkerülése érdekében ne tárolja kültéren vagy gépjárművekben.

- **Különösen nagy igénybevétel vagy extrém hőmérsékleti körülmények esetén az akkumulátor szivároghat. Ha a folyadék érintkezésbe lép a bőrével, azonnal mossa le vízzel és szappannal. Ha a folyadék a szembe kerül, öblítse ki tiszta vízzel legalább 10 percig, ezután azonnal forduljon orvoshoz.** Ezen előírás betartása csökkenti a súlyos sérülések veszélyét.
- **Ne használjon sérült vagy átalakított akkucsomagot.** A sérült vagy átalakított akkumulátor előre nem látható módon üzemelhet, ami tüzet, robbanást, más kockázatot vagy sérülést okozhat.
- **A sérült akkucsomagot ne módosítsa és ne próbálja megjavítani.**
- **Ne tegye ki az akkucsomagot vagy az eszközt túl magas hőmérsékleti hatásnak és ne tegye tűzbe ezeket.** A tűznek vagy a 130°C feletti hőmérsékletnek való kitettség robbanást okozhat.
- **Tartsa be az összes feltöltési utasítást és ne töltsen az akkucsomagot vagy az eszközt az utasításban megadott hőmérséklet-tartományon kívül.** A helytelen töltés vagy a megadott tartományon kívüli hőmérsékleten való feltöltés az akkumulátort károsíthatja, és a tűzveszély kockázatát növelheti.

LÍTIUM AKKUMULÁTOROK SZÁLLÍTÁSA

Az akkumulátorokat a helyi és nemzeti előírásokkal és szabályokkal összhangban szállítsa.

Az elemek külső fél általi szállításakor kövesse a csomagolásra és a címkézésre vonatkozó speciális előírásokat. Ügyeljen arra, hogy az akkumulátorok ne érhessenek más akkumulátorokhoz vagy vezető anyagokhoz szállítás közben; ehhez a szabadon maradt csatlakozókat védje szigetelő fedéllel vagy szalaggal. Ne szállítson repedt vagy szivárgó akkumulátorokat. További információért vegye fel a kapcsolatot a továbbítást végző céggel.

AKKUMULÁTOROK

A hosszabb ideig nem használt akkumulátorcsomagokat használat előtt újból fel kell tölteni.

Az 50 °C (122 °F) feletti hőmérséklet csökkenti az akkucsomag teljesítményét. Kerülje a hőnek vagy napnak való hosszabb kitettséget (túlmelegedési veszély).

A töltők, illetve az akkumulátorcsomagok csatlakozóit tisztán kell tartani.

Az optimális élettartam érdekében használat után az akkumulátorcsomagokat teljesen fel kell tölteni.

A lehető leghosszabb akkumulátor-élettartam eléréséhez a teljes feltöltéskor távolítsa el a töltőből az akkumulátorcsomagot.

Amennyiben 30 napnál tovább tárolja az akkumulátorcsomagot:

- Az akkumulátorcsomagot száraz helyen, 27°C-nál alacsonyabb hőmérsékleten tárolja.



- Az akkumulátorcsomagokat 30%-50%-os feltöltöttségi állapotban tárolja.
- Minden fél év tárolás után a megszokott módon cserélje az akkumulátorcsomagot.

AZ AKKUMULÁTORCSOMAG VÉDELME

Az akkumulátorcsomag el van látva túlterhelés elleni védelemmel, amely megóvja a túlterheléstől és segít a hosszú élettartam biztosításában. Extrém terhelés alatt az akkumulátor elektronikája automatikusan lekapcsolja a terméket. A termék újraindításához kapcsolja azt ki, majd újra be. Amennyiben a termék nem indul újra, lehetséges, hogy teljesen lemerült az akkumulátorcsomag. Ebben az esetben tölts fel az akkumulátorcsomag töltőjével.

VISSZAMARADÓ KOCKÁZATOK

Még a termék rendeltetészerű használata esetén sem lehet teljesen kiküszöbölni minden kockázati tényezőt. A gép használata során a következő veszélyek merülhetnek fel, és a kezelőnek különösen oda kell figyelnie az alábbiak elkerülésére:

- A terméket csak rendeltetési céljának megfelelően használja. Ne alakítsa át és ne módosítsa a berendezés eredeti kialakítását vagy funkcióját.
- Mindig legyen tudatában annak, hogy a szerszám helytelen használata és kezelése során sérüléseket okozhat önmagának és másoknak.
- Soha ne hagyja őrizetlenül a terméket, amíg a tömlő csatlakoztatva van bármilyen eszközhöz.
- Ne használja tovább a levegőt szivárgotató vagy nem megfelelően működő terméket vagy tömlőt.
- Robbanásveszély
 - A szabályozót tilos átállítani a csatlakozó jelzett maximum értékénél nagyobb kimeneti nyomás elérése érdekében.
- A motor és a henger működése hő termelődéséhez és magas hőmérséklethez vezet. A külvilággal érintkező fémfelület megérintése komoly égési sérüléseket okozhat.
 - Tartsa távol a kompresszort a munkaterületektől.
- Zaj okozta sérülések
 - Viseljen fülvédőt.
- A kompresszorból kilépő levegő képes a kosz, forgácsok, részecskék, illetve apró tárgyak "kilövésére". Emiatt tárgyak repülhetnek a szemébe vagy más súlyos sérüléseket szenvedhet.
 - A különböző eszközök használata során mindig viseljen megfelelő védőfelszerelést.

ISMERJE MEG A TERMÉKET

195. oldal.

1. A tömlőtartó
2. Gyorscsatlakozó
3. PCL high-flow-style férfi csatlakozó 1/4" BSP
4. Tartály nyomásmérője
5. Nyomásszabályozó gomb
6. Szabályozó nyomásmérője
7. Hordozófogantyú
8. Biztonsági szelep

9. Be/ki kapcsoló
10. Akkumulátor
11. Leeresztőszelep
12. Reset gomb

KICSOMAGOLÁS

Ellenőrizze gondosan az eszközt, ellenőrizze, hogy nem volt-e törés vagy sérülés a szállítás során.

Csak az eszköz gondos átvizsgálását és a termék megfelelő üzemeltetését követően dobja el a csomagolóanyagot.

▲ FIGYELEM

Ha valamelyik alkatrész sérült vagy hiányzik, ne működtesse a terméket, amíg az alkatrészt ki nem cseréli. Ha a terméket sérült vagy hiányzó alkatrészekkel működteti, súlyos személyi sérülést okozhat.

▲ FIGYELEM

Ne próbálja átalakítani a szerszámot, sem pedig olyan kiegészítőket alkalmazni, amelyeknek szerszámmal való használata nem javasolt. Az ilyen módosítás vagy megváltoztatás helytelen használatnak minősül és veszélyes körülményeket eredményezhet, amelyek komoly személyi sérüléshez vezethetnek.

▲ FIGYELEM

Alkatrészek felszerelésekor mindig vegye ki az akkumulátorcsomagot a termékből, hogy a gép ne induljon be véletlenül, hiszen ez súlyos sérülést okozhat.

HASZNÁLAT

ELŐKÉSZÜLET

Tömlő csatlakoztatása/leválasztása

196. oldal.

MEGJEGYZÉS: 7 bar (102 psi) feletti nyomással való használat esetén a nyomótömlőket biztosítóhuzallal, pl. drótkötéllal kell ellátni.

1. Győződjön meg róla, hogy a főkapcsoló OFF (O) helyzetben van, és az akkumulátorcsomag nem csatlakozik.
2. Húzza kifelé a nyomásszabályozó gombot, hogy engedélyezze a beállítást. Teljesen tekerje el a nyomásszabályozó gombot balra.
3. Ellenőrizze, hogy a kimeneti nyomás nulla bar.
4. Csatlakoztasson egy csatlakozóval ellátott tömlőt a kompresszoron lévő 6,35 mm (1/4 coll) átmérőjű gyorscsatlakozóra. Győződjön meg róla, hogy a csatlakozót teljesen benyomta a gyorscsatlakozóba, hogy a rajta lévő karmantyú előrepatanjon és rögzítse a csatlakozót.

Tömlő vagy pneumatikus kéziszerszám leválasztásához:

1. Húzza kifelé a nyomásszabályozó gombot, hogy engedélyezze a beállítást. Teljesen tekerje el a nyomásszabályozó gombot balra.





- Ellenőrizze, hogy a kimeneti nyomás nulla bar.
- Húzza hátra a kioldóhüvelyt a (1/4 in.) 6,35 mm-es gyorscsatlakozón. Húzza ki a gyorscsatlakozóhoz illesztett tömlőcsatlakozót szorosan tartva.

Akkumulátorcsomag csatlakoztatása/eltávolítása

- Győződjön meg róla, hogy a főkapcsoló OFF (O) helyzetben van.
- Illesszen egy akkumulátorcsomagot az akkumulátoraljzatba.
- Ügyeljen rá, hogy az akkumulátor két oldalán található rögzítőfülek bepattanjanak a helyükre, és az akkumulátor rögzítve legyen a termékben a használat megkezdése előtt.
- Nyomja le a rögzítőfüleket az akkumulátor eltávolításához.
- A töltésre vonatkozó teljes körű utasításokat az akkumulátorcsomaghoz és a töltőhöz tartozó használati kézikönyvben találja.

A KOMPRESSZOR HASZNÁLATA

VESZÉLY

Ha levegő van a levegőtartályban, ne szerelje le a tartályüritő vagy a biztonsági szelepet. Eressze ki a levegőt a levegőtartályból. Ha nem légteleníti a levegőtartályt, robbanás és/vagy súlyos személyi sérülés következhet be.

FIGYELEM

Mindig viseljen oldalellenzővel rendelkező védősisakot. Ennek az előírásnak a be nem tartása által a felhasználó szemébe idegen test kerülhet és ez súlyos zemsérülést okozhat.

FIGYELEM

Kizárólag a gyártó által ezen szerszámmal előírt alkatrészeket és tartozékokat használjon. A nem előírt alkatrész és tartozék használata súlyos sérülésekkel járó baleseteket idézhet elő.

FIGYELEM

Ne csatlakoztasson pneumatikus szerszámot a tömlő nyitott végéhez a beindítás befejezése előtt.

FIGYELEM

Alkatrészek felszerelésekor, beállítások végzésekor, tisztításkor vagy használaton kívül mindig vegye ki az akkumulátort a szerszámból. Az akkumulátor kivétele megakadályozza a véletlen bekapcsolódást, ami komoly személyi sérülést okozhat.

FIGYELEM

Ne használja poros vagy más módon szennyezett környezetben. Ha ilyen környezetben használja a kompresszort, megsérülhet a termék.

A nyomás beállítása

197. oldal.

- Győződjön meg róla, hogy a főkapcsoló OFF (O) helyzetben van, és az akkumulátorcsomag nincs bent.
- Csatlakoztassa az akkumulátorcsomagot a termékhez.
- Nyomja a főkapcsolót ON (I) helyzetbe.
- Húzza kifelé a nyomásszabályozó gombot, hogy engedélyezze a beállítást.
- Forgassa a nyomásszabályozó gombot a kívánt nyomásra. A gombot az óramutató járásának irányába forgatva növelheti a nyomást a kimeneten. Az óramutató járásával ellentétes irányba tekerve csökkentheti a légnyomást a kimeneten. Nyomja be a nyomásszabályozó gombot, hogy megakadályozza a beállítást.
- A pneumatikus szerszám használata során tartsa be az ebben a kézikönyvben leírt biztonsági óvintézkedéseket és a szerszám kézikönyvében található gyártói utasításokat.

FIGYELEM

Előfordulhat, hogy egyes pneumatikus szerszámokhoz több levegő szükséges, mint amennyit ez a kompresszor képes biztosítani. Ellenőrizze a pneumatikus szerszám használati utasítását, hogy elkerülje annak károsodását vagy a személyi sérülés kockázatát.

- Szabályozza a légáramlás mennyiségét a nyomásszabályozó gombbal. Ha a gombot teljesen elfordítja balra, leáll a levegőáramlás.

MEGJEGYZÉS: Mindig az adott munkához szükséges minimális nyomást használja. A szükségesnél nagyobb nyomás használata gyorsabban csökkenti a nyomást a tartályban, és ez a berendezés gyakoribb bekapcsolását eredményezi.

- A kompresszor kikapcsolásához nyomja a főkapcsolót OFF (O) helyzetbe.

MEGJEGYZÉS: Amikor a kompresszor ON (I) helyzetben van, automatikusan növelni kezdi a nyomást, ha a tartály kívánt levegőnyomása a beállított nyomáskorlát alá esik. Ezen kívül a kívánt nyomás elérésekor újra kikapcsol.

FIGYELEM

Soha ne lépje túl a szerszám gyártója által javasolt nyomásértéket. Amikor a kompresszort felfújásra használja, mindig tartsa be a felfújni kívánt termék gyártója által előírt maximális nyomást.

FIGYELEM

Mindig biztosítsa, hogy a főkapcsoló OFF (O) helyzetben legyen, és a szabályzó nyomásmérője nullát jelezzon a pneumatikus szerszám cserélje vagy a tömlő levegőkimenetéről való leválasztása előtt. Ha nem így tesz, súlyos személyi sérülés lehet az eredmény.

- Befejezés után mindig ürítse ki a tartályt, és vegye ki az akkumulátorcsomagot. Soha ne hagyja a terméket működő állapotban vagy az akkumulátorcsomaghöz



csatlakoztatva.

A LEVEGŐTARTÁLY KIÜRÍTÉSE

198. oldal.

A kompresszor levegőtartályát naponta ki kell üríteni, hogy szárazon tartsa és ne rozsdásodjon.

A levegőtartály kiürítéséhez:

1. Győződjön meg róla, hogy a főkapcsoló OFF (O) helyzetben van.
2. Vegye ki az akkumulátort.
3. Húzza a nyomáscsökkentő szelepen lévő gyűrűt, amíg a tartály nyomásmérője 1,4 bárnál (20 PSI) kevesebbet jelez.
4. Engedje el a gyűrűt.
5. Az üritőszelepet balra forgatva engedje ki a nedvességet.

MEGJEGYZÉS: A kondenzvíz környezetszennyező anyag, ezért a helyi előírásoknak megfelelően kell elvezetni.

6. Az üritőszelepet jobbra forgatva zárja az üritőszelepet.

RESET GOMB

Amikor a kompresszorba folyó áram meghaladja a megadott értéket, automatikusan leáll.

A kompresszor alaphelyzetbe állításához:

1. Vegye ki az akkumulátort.
2. Kapcsolja ki a gépet.
3. Várjon három perccet, hogy a motor lehűljön.
4. Nyomja meg a visszaállítás gombot.
5. Csatlakoztassa az akkumulátorcsomagot a termékhez.
6. Kapcsolja be a terméket.

GYORSCSATLAKOZÓ CSERÉJE

199. oldal.

1. Győződjön meg róla, hogy a főkapcsoló OFF (O) helyzetben van.
2. Vegye ki az akkumulátort.
3. Húzza a nyomáscsökkentő szelepen lévő gyűrűt, amíg a tartály nyomásmérője 1,4 bárnál (20 PSI) kevesebbet jelez.
4. Engedje el a gyűrűt.
5. Kulccsal lazítsa ki és vegye le a gyorscsatlakozót balra tekerve.
6. Kulccsal szereljen fel új gyorscsatlakozót, és húzza azt meg jobbra tekerve.

SZÁLLÍTÁS ÉS TÁROLÁS

200 - 201. oldal.

1. Győződjön meg róla, hogy a főkapcsoló OFF (O) helyzetben van.
2. Vegye ki az akkumulátort.
3. A pneumatikus szerszámot működtetve eressze ki a levegőnyomást a tömlőből, majd szerelje le a tömlőt és a szerszámot. Erressze ki a levegőt a nyomáscsökkentő szelepet meghúzva.
4. Erressze le a vizet a tartályból "A tartály leeresztése" c. részben szereplő utasítások szerint.
5. Tisztítsa meg a terméket egy száraz ronggyal.
6. Tekerje a tömlőt a tömlőtartók köré.
7. A terméket a hordozó fogantyúnál fogva szállítsa.

8. A kompresszort normál működési helyzetében száraz és védett helyen tárolja.

▲ FIGYELEM

A kompresszor működése közben a víz lecsapódik a tartályában. A tartály a benne hagyott víz miatt meggyengül és korrodálódik, ami miatt könnyebben megrepedhet.

▲ FIGYELEM

Mindig válassza le a tömlőt a szerszámokról szervizelés során, vagy amikor a gép nincs használatban. Karbantartás közben a tömlőhöz csatlakozó szerszám véletlenül működésbe léphet, és súlyos sérülést okozhat.

▲ FIGYELEM

Ha tárolás előtt nem választja le az akkumulátorcsomagot a kompresszorról, az esetleg folyamatosan működhet, ami túlmelegedést, a kompresszor sérülését, valamint akár tüzet is okozhat.

KARBANTARTÁS

ÁLTALÁNOS KARBANTARTÁS

- A műanyag részek tisztításakor tartózkodjon a tisztítószerek használatától. A legtöbb műanyag érzékeny a különböző típusú kereskedelmi oldószerekre és azok használata esetén károsodhat. Egy tiszta ruhát használjon a kosz, por, olaj, kenőzsír, stb. eltávolítására.
- A műanyag részek semmilyen körülmények között nem érintkezhetnek fékolajjal, benzinnel, petróleum alapú termékekkel, beszívódó olajokkal stb. Ezek a vegyszerek olyan vegyületeket tartalmaznak, melyek megrongálhatják, meglágyíthatják vagy lebonthatják a műanyagból készült részeket, ami súlyos testi sérüléseket is okozhat.
- Mindig eressze ki az összes nyomást, vegye ki az akkumulátorcsomagot és várja meg, hogy tapintásra hidegnek tűnjön, mielőtt tisztítaná vagy javítaná a terméket.
- Semmilyen módon ne módosítsa a terméket, és ne használjon a gyártó által nem jóváhagyott tartozékokat. Az Ön és mások biztonsága veszélybe kerülhet.
- Ne használja a terméket, ha valamelyik kapcsoló, védőburkolat vagy egyéb funkció nem rendeltetésszerűen működik. Szakszerű javításhoz vigye a gépet egy hivatalos szervizközpontba.
- Beállítások, karbantartás végzése vagy olajozás előtt mindig biztosítsa, hogy az akkumulátor a termékből el legyen távolítva.
- Károsodás vagy törött alkatrészek tekintetében minden egyes használat előtt ellenőrizze a terméket. Tartsa a terméket kiváló működési állapotban, azonnal cserélje le az alkatrészeket a gyártó által biztosított cserealkatrészekre.

⚠ FIGYELEM

A nagyobb biztonság és megbízhatóság érdekében minden javítást hivatalos szervizközpontban kell elvégeztetni.

KÖRNYEZETVÉDELEM



Segítse elő az alapanyagok újrahasznosítását azzal, hogy nem helyezi el őket a háztartási szemétkben. Környezetvédelmi megfontolásból az elhasznált gépet és tartozékokat, valamint a csomagolóanyagokat szelektív módon kell gyűjteni.

SZIMBÓLUMOK A TERMÉKEN



Biztonsági figyelmeztetés



A gép bekapcsolása előtt figyelmesen olvassa el az útmutatót.



CE megfelelés



Eurázsiai megfelelési jelzés



Ukrainai megfelelési nyilatkozat



Munkavégzés közben ajánlatos védőszemüveget viselni.



Viseljen hallásvédőt.



Beltéri használat



Riasztás nedvesség miatt. Ne tegye ki esőnek. Egy helyiségben tárolja.



Belélegzés kockázata. A közvetlenül a kompresszorból származó levegőt soha nem szabad felhasználni emberi fogyasztásra.



Robbanásveszély. A szabályozót tilos átállítani a csatlakozó jelzett maximum értékénél nagyobb kimeneti nyomás elérése érdekében. Ne használja 10 bar értékénél nagyobb nyomásnál.



A kompresszor figyelmeztetés nélkül beindulhat.

Tűz vagy robbanás veszélye. A szórási területnek jól szellőzőtnek kell lennie. Ne dohányozzon permetezés közben, és ne permetezzen szikrák vagy nyílt láng jelenlétében. A lehető legtávolabb tartsa a kompresszort a szórási területtől. A kompresszort tartsa legalább 10 m távolságra a szórási területtől és a robbanékony gőzöktől.



Szabályozott nyomás



Tartály nyomása



A kiselejtezett elektromos termékeket nem szabad a háztartási hulladékkal együtt kidobni. Ezeket újra kell hasznosítani, ha van rá lehetőség. Az újrahasznosítással kapcsolatban érdeklődjön a helyi önkormányzatnál vagy a termék forgalmazójánál.

A KÉZIKÖNYVBEN HASZNÁLT SZIMBÓLUMOK



Külön értékesített alkatrészek és kiegészítők



Megjegyzés



Figyelem

A következő jelölőszavak és jelentések arra szolgálnak, hogy megmagyarázzák a termékkel kapcsolatos veszélyességi szinteket.

⚠ VESZÉLY

Egy bekövetkező veszélyes helyzetet jelez, ami, ha nem előzik meg, halált vagy komoly sérülést eredményez.

⚠ FIGYELEM

Egy potenciálisan bekövetkező veszélyes helyzetet jelez, ami, ha nem előzik meg, halált vagy súlyos sérülést eredményezhet.

⚠ VIGYÁZAT

Egy potenciálisan veszélyes helyzetet jelez, ami, ha nem előzik meg, kisebb vagy mérsékelt súlyos sérülést eredményezhet.

VIGYÁZAT

(Biztonsági figyelmeztető szimbólum nélkül) Egy olyan helyzetet jelez, ami anyagi kárt eredményezhet.



La proiectarea compresorului, s-au avut în vedere în primul rând siguranța, performanța și fiabilitatea în exploatare.

DOMENIU DE APLICAȚII

Compresorul de aer comprimat este destinat numai pentru furnizarea de aer sub presiune. Acesta nu trebuie utilizat pentru comprimarea altor gaze.

Echipamentul este conceput pentru a opera cu unelte pneumatice și pentru umflarea produselor cu presiune mare, precum pneurile de vehicule și de biciclete.

Șurubelnița poate fi utilizată doar de persoane adulte care au citit și au înțeles instrucțiunile și avertismentele din acest manual și pot fi considerate responsabile pentru acțiunile proprii.

Echipamentul trebuie să funcționeze numai în spații închise.

Nu folosiți produsul în niciun alt fel decât cel menționat pentru folosirea lui destinată. Utilizarea unelei electrice pentru alte operații decât cele preconizate poate duce la situații periculoase.

AVERTISMENTE GENERALE PRIVIND SIGURANȚA

▲ AVERTISMENT

Citiți toate avertismentele și instrucțiunile de siguranță. Neurmarea avertizării și instrucțiunilor ar putea cauza electrocutare, incendiu și/sau vătămare gravă.

Salvați toate avertizările și instrucțiunile pentru o consultare ulterioară.

▲ AVERTISMENT

Atunci când utilizați unelte electrice, întotdeauna trebuie luate minime măsuri de siguranță pentru a reduce riscul producerii de incendii, șocuri electrice sau leziuni. Citiți toate instrucțiunile înainte de a încerca să operați produsul și păstrați aceste instrucțiuni.

SIGURANȚA ZONEI DE LUCRU

- Păstrați zona de lucru curată. Zonele și bancurile dezordonate facilitează accidentele. Nu lăsați uneltele sau bucățile de lemn pe unealtă în timp ce aceasta este în funcțiune.
- A nu se utiliza produsul în medii periculoase. Nu utilizați scula electrică în medii ce prezintă umezeală și nu-l expuneți la ploaie. Păstrați spațiul de lucru bine luminat.
- Țineți copiii și vizitatorii la distanță. Toți vizitatorii trebuie să poarte ochelari de protecție și să fie ținuți la o distanță sigură de spațiul de lucru. Nu permiteți vizitatorilor să atingă echipamentul în timpul funcționării.
- Nu utilizați niciodată în atmosferă ce prezintă risc de explozie. Scănteierea obișnuită a motorului ar putea aprinde vaporii.

SIGURANȚĂ ELECTRICĂ

- Dacă vreo componentă electrică a echipamentului nu funcționează adecvat, opriți alimentarea cu electricitate de la butonul de oprire/pomire, scoateți acumulatorul de pe echipament și înlocuiți-l înainte de a reporni funcționarea aparatului.
- Nu expuneți uneltele electrice la ploaie sau umezeală. Apa care intră într-o unealtă electrică va crește riscul de electrocutare.

SIGURANȚĂ PERSONALĂ

- Fiți vigilenți și mențineți controlul. Fiți atenți la ceea ce faceți și folosiți-vă simțul practic. Nu operați unealta atunci când sunteți obosit. Nu vă grăbiți.
- Îmbrăcați-vă corespunzător. Nu purtați haine largi, cravate sau bijuterii care pot fi prinse și vă pot trage în piesele în mișcare. Mănușile de cauciuc și încălțămintea aderentă sunt recomandate atunci când lucrați afară. Purtați protecție care acoperă părul, pentru a proteja părul lung.
- Întotdeauna purtați ochelari de protecție cu apărători laterale. Ochelarii obișnuiți dispun doar de lentile rezistente la impact; aceștia NU sunt ochelari de protecție.
- Protejați-vă plămâni. Purtați un ecran facial sau o mască antipraf dacă tăierea generează praf.
- Protejați-vă auzul. Purtați antifoane atunci când operați produsul pe perioade lungi de timp.
- Nu vă întindeți excesiv. În timpul operării dispozitivului, păstrați-vă în permanență echilibrul și stabilitatea.
- Îndepărtați cheile de reglare. Formați-vă obiceiul de a verifica dacă ați scos toate cheile și duliile de reglare din unealtă înainte de pornirea acesteia.

UTILIZAREA ȘI ÎNGRIJIREA COMPRESORULUI DE AER

- Nu depășiți presiunea nominală a oricărei componente din sistem.
- Protejați conductele de material și conductele pneumatice împotriva deteriorării sau a perforării. Țineți furtunul ferit de obiectele ascuțite, de pericolul de a fi stropit cu substanțe chimice, de uleiuri, de solvenți și de pardoseli umede.
- Verificați etanșeitarea sau uzura furtunurilor înainte de fiecare utilizare, asigurându-vă că toate conexiunile sunt sigure. Nu utilizați dacă este găsit un defect. Achiziționați un furtun nou sau notificați un centru de service autorizat pentru examinare sau reparare.
- Eliberați încet toate presiunile din sistem. Praful și resturile pot fi dăunătoare.
- Nu țineți compresorul de aer în stare de funcționare latentă la îndemâna copiilor sau a altor persoane neinstruite. Compresoarele de aer devin periculoase în mâinile utilizatorilor neinstruiți.
- Efectuați întreținerea compresorului cu atenție. Urmați instrucțiunile de întreținere. Uneltele întreținute corect sunt mai ușor de controlat.
- Verificați alinierea sau lipirea pieselor în mișcare, spargerea pieselor, precum și orice altă condiție care poate afecta funcționarea unelei. Dacă este





deteriorată, trimiteți unealta în service înainte de utilizare. Multe accidente sunt cauzate de unelte întreținute necorespunzător.

- Țineți exteriorul echipamentului uscat, curat și fără urme de ulei și unsoare. Întotdeauna utilizați o cârpă uscată atunci când curățați. Nu utilizați niciodată lichid de frână, benzină, produse petroliere sau orice fel de solvenți puternici pentru a curăța unitatea. Respectarea acestei reguli va reduce riscul de deteriorare a carcasei din plastic.

OPERAȚII DE SERVICE

- Atunci când efectuați proceduri de service, utilizați doar piese de schimb identice. Utilizarea altor piese poate crea situații periculoase sau poate conduce la deteriorarea produsului.

Păstrați aceste instrucțiuni. Consultați-le frecvent și folosiți-le pentru a instrui alți utilizatori. Dacă împrumutați această sculă unei alte persoane, împrumutați-i de asemenea și aceste instrucțiuni.

ATENȚIONĂRI CU PRIVIRE LA SIGURANȚA ÎN FUNCȚIONARE A COMPRESORULUI DE AER COMPRIMAT

- Cunoașteți-vă produsul. Citiți cu mare atenție manualul de utilizare. Învățați utilizările și limitările aparatului, precum și riscurile potențiale specifice legate de acest aparat. Reduceți astfel riscurile de electrocutare, de incendiu și de răniri grave.
- Purjați umezeala din rezervorul de aer după fiecare zi de utilizare. Dacă produsul urmează să nu fie utilizat o perioadă, este recomandabil să se lase supapa de evacuare deschisă până la următoarea utilizare. Acest lucru va permite umezelii să se scurgă complet și previne coroziunea în interiorul rezervorului de aer.
- Risc de incendiu sau explozie. Nu pulverizați lichide inflamabile într-o zonă închisă. Zona de pulverizare trebuie să fie bine ventilată. Nu fumați în timp ce pulverizați sau nu pulverizați, dacă sunt prezente scântei sau flăcări. Țineți echipamentul la cel puțin 10 m (33 picioare) departe de zona de pulverizare și de toți vaporii substanțelor explozive.
- Risc de explozie. Nu ajustați regulatorul pentru a da o presiune mai mare decât cea maxim marcată pe plăcuța de parametri anexată. Nu utilizați la o presiune mai mare de 8,3 bari.
- Pentru a reduce riscul de electrocutare, nu expuneți produsul la ploaie. Depozitați produsul în spații închise.
- Inspectați anual echipamentul să nu fie ruginit, să nu aibe fisuri, găuri sau alte imperfecțiuni, care ar putea face compresorul de aer să fie periculos.
- Nu sudați sau dați găuri în rezervorul de aer.
- Asigurați-vă că furtunul este lipsit de obstacole. Furtunurile încurcate pot duce la pierderea echilibrului sau a sprijinului și se pot deteriora.
- Utilizați produsul numai în scopurile prevăzute. Nu modificați unitatea de la designul original sau funcția originală.
- Întotdeauna trebuie să fiți conștienți de faptul că utilizarea incorectă și manipularea necorespunzătoare a acestui instrument poate cauza vătămarea dvs. și a altor persoane.

- Nu lăsați niciodată compresorul nesupravegheat cu furtunul de aer legat la o unealtă.
- Nu îndreptați niciodată unealta pneumatică spre dvs. nici spre alte persoane.
- Nu folosiți această unealtă, dacă aceasta nu conține o etichetă de avertizare lizibilă.
- Nu continuați să utilizați echipamentul sau furtunul care are scurgeri de aer sau nu funcționează corect.
- Deconectați întotdeauna sursa de aer și scoateți acumulatorul înainte de a face ajustări, operații de service, sau când produsul nu este în funcțiune.
- Nu încercați să trageți sau să purtați produsul trăgându-l de furtun.
- Este posibil ca unealta dvs. pneumatică să necesite un consum de aer mai ridicat decât poate oferi compresorul.
- Respectați întotdeauna toate regulile de siguranță recomandate de producătorul unelei pneumatice, pe lângă toate regulile de siguranță prevăzute pentru compresorul de aer. Respectarea acestei reguli va reduce riscul de vătămări corporale grave.
- Nu îndreptați niciodată un jet de aer comprimat către oameni sau animale. Aveți grijă să nu suflați praful și murdăria către dvs. sau către alte persoane. Respectarea acestei reguli va reduce riscul de vătămări corporale grave.
- Nu utilizați această pompă pentru a pulveriza substanțe chimice. Plămâni dvs. pot suferi prin inhalarea fumului toxic. O protecție respiratorie poate fi necesară în medii cu praf sau atunci când pulverizați vopsea. Nu transportați în timp ce vopsiți.
- Inspectați periodic cablurile și furtunurile unelei și, dacă sunt deteriorate, reparați-le la cel mai apropiat centru de service autorizat. Fiți atent întotdeauna unde se găsește cablul de alimentare. Reduceți astfel riscurile de electrocutare.
- Verificați alinierea sau lipirea pieselor în mișcare, spargerea pieselor, precum și orice altă condiție care poate afecta funcționarea unelei. Dacă este deteriorată, trimiteți unealta în service înainte de utilizare. Multe accidente sunt cauzate de unelte întreținute necorespunzător.
- Când apărătorile fixe trebuie scoase pentru efectuarea operațiilor periodice de întreținere sau pentru reparații, sistemele de fixare ale apărătorilor trebuie să rămână atașate de apărătoare sau de utilaj atunci când apărătorile sunt scoase.
- Nu depozitați niciodată o unealtă pneumatică având furtunul de aer legat la aceasta. Depozitarea unei unele pneumatice în timp ce este conectată la o sursă de aer poate avea ca urmare funcționarea neintenționată, pornirea sau mișcarea acesteia și posibil rănirea gravă a persoanelor.
- Protejați-vă plămâni. Purtați un ecran facial sau o mască antipraf dacă tăierea generează praf. Respectarea acestei reguli va reduce riscul de vătămări corporale grave.
- Păstrați aceste instrucțiuni. Consultați-le frecvent și folosiți-le pentru a instrui alți utilizatori ai acestui produs. Dacă împrumutați această sculă unei alte persoane,





împrumutați-i de asemenea și aceste instrucțiuni.

- Operați mașina în fața panoului de control.
- Când mașina este în funcțiune, multe părți ale mașinii poate cauza creșterea temperaturii. Folosiți echipamentul de protecție personală necesar, cum ar fi mănuși pentru a evita vătămările care rezultă dintr-o temperatură înaltă.
- Echipamentul nu este destinat utilizării de către copii sau persoane cu deficiențe fizice, senzoriale sau mentale, sau fără experiență și cunoștințe. Copiii mici trebuie supravegheați în permanență și nu trebuie lăsați să se joace cu acest produs.

AVERTIZĂRI DE SIGURANȚĂ ASUPRA BATERIEI ȘI ÎNCĂRCĂTORULUI.

⚠ AVERTISMENT

Pentru a reduce pericolul unui incendiu și evitarea rănirilor sau deteriorarea produsului în urma unui scurtcircuit nu imersați scula, acumulatorul de schimb sau încărcătorul în lichide și asigurați-vă să nu pătrundă lichide în aparate și acumulatori. Lichidele corosive sau cu conductibilitate, precum apa sărată, anumite substanțe chimice și înălbitori sau produse ce conțin înălbitori, pot provoca un scurtcircuit.

- **Încărcați acumulatorul doar cu încărcătorul specificat de producător.** Un încărcător care poate fi potrivit pentru un tip de baterie, poate crea risc de incendiu când e folosit cu o altă baterie.
- **Utilizați uneltele electrice doar cu acumulatorii special concepuți pentru acestea.** Utilizarea altor acumulatori poate genera riscuri de accidentare și incendiu.
- **Atunci când acumulatorul nu este folosit, țineți-l ferit de alte obiecte de metal precum agrafe pentru hârtie, monede, cuie, șuruburi sau alte obiecte mici de metal ce pot face conexiunea unui terminal al bateriei la celălalt.** Scurtcircuitarea bornelor acumulatorului poate conduce la arsuri sau incendii.
- **În condiții de utilizare abuzivă, se poate scurge electrolit din acumulator; evitați contactul cu acesta.** Dacă intrați în contact accidental cu electrolitul, clătiți-vă din abundență cu apă. În cazul în care electrolitul intră în contact cu ochii, clătiți-vă din abundență cu apă și consultați imediat un medic. Electrolitul din acumulator poate cauza iritații sau arsuri.
- **Produsele cu acumulator nu trebuie conectate la o sursă de curent; de aceea, acestea sunt permanent în stare de funcționare.** Fiți atenți la posibilele pericole atunci când nu vă utilizați produsul cu acumulatori sau atunci când schimbați accesoriile. Reduceți astfel riscurile de electrocutare, de incendiu și de răniri grave.
- **Nu lăsați produsele cu acumulatori sau acumulatorii acestora în apropierea focului sau a surselor de căldură.** Acest lucru va reduce riscul producerii de explozii sau răniri.
- **Nu loviți, nu scăpați și nu deteriorați acumulatorul.**

Nu utilizați un acumulator sau încărcător care a fost scăpat sau care a primit o lovitură puternică. Un acumulator deteriorat poate exploda. Eliminați corespunzător imediat un acumulator care a fost scăpat sau deteriorat.

- **Acumulatorii pot exploda în prezența surselor de aprindere, precum o lampă de semnalizare.** Pentru a reduce riscul producerii de răniri personale grave, nu utilizați niciodată un produs fără fir în prezența flăcărilor. Un acumulator care a explodat poate propulsa reziduuri și substanțe chimice. Dacă a explodat, spălați imediat cu apă.
- **Nu încărcați produsul cu acumulatori în condiții de umezeală.** Reduceți astfel riscurile de electrocutare.
- **Pentru rezultate optime, acumulatorul dvs. trebuie încărcat într-un loc cu temperatura între 10°C și 38°C.** Pentru a reduce riscul unor accidente grave, nu depozitați acumulatorul în exterior sau în vehicule.
- **În condiții de temperaturi și utilizare extreme, pot apărea scurgeri ale acumulatorului.** Dacă pielea dvs. vine în contact cu lichid, spălați-vă imediat cu apă și săpun. Dacă lichidul vă pătrunde în ochi, spălați-vă cu apă curată cel puțin 10 apoi adresați-vă imediat unui medic. Respectarea acestei reguli va reduce riscul de vătămări corporale grave.
- **Nu utilizați un acumulator deteriorat sau modificat.** Acumulatorii deteriorați sau modificați au un comportament imprevizibil și prezintă pericol de incendiu, explozie sau accidentare.
- **Nu modificați și nici nu încercați să reparați un acumulator stricat.**
- **Nu expuneți acumulatorul sau unealta la foc sau temperaturi excesive.** Expunerea la foc sau temperaturi de peste 130°C prezintă pericol de explozie.
- **Respectați toate instrucțiunile de încărcare și nu încărcați acumulatorul sau unealta la temperaturi din afara intervalului specificat în instrucțiuni.** Încărcarea necorespunzătoare sau la o temperatură din afara intervalului specificat poate deteriora acumulatorul și crește riscul de incendiu.

TRANSPORTAREA ACUMULATORILOR PE LITIU

Transportați bateria în conformitate cu prevederile și reglementările locale și naționale.

Urmați toate cerințele speciale de pe ambalaj și etichete atunci când transportați acumulatorii la o parte terță. Asigurați-vă că în timpul transportului nicio baterie nu vine în contact cu alte baterii sau materiale conducătoare de electricitate prin protejarea bornelor expuse cu bandă sau capace izolatoare non conducătoare de electricitate. Nu transportați acumulatori ce sunt crăpați sau au scurgeri. Verificați cu compania de transport pentru sfaturi ulterioare.

ACUMULATORII

Acumulatorii care nu au fost utilizați o perioadă mai lungă de timp trebuie încărcăți înainte de utilizare.

Temperaturile mai mari de 50°C (122°F) reduc performanțele acumulatorului. Evitați expunerea prelungită la căldură sau lumină solară (risc de supraîncălzire).

EN
FR
DE
ES
IT
NL
PT
DA
SV
FI
NO
RU
PL
CS
HU
RO
LV
LT
ET
HR
SK
SL
BG
UK
TR
EL





Contactele încărcătoarelor și ale acumulatorilor trebuie ținute în stare de curățenie.

Pentru o durată de viață cât mai lungă, acumulatorii trebuie încărcăți complet după fiecare utilizare.

Pentru a obține o durată de viață maximă a acumulatorului, scoateți acumulatorul din încărcător după finalizarea încărcării.

Pentru o perioadă de depozitare a acumulatorilor mai mare de 30 de zile:

- Depozitați acumulatorii la o temperatură sub 27°C și feriiți de umezeală.
- Depozitați acumulatorii cu grad de încărcare de 30%-50%.
- La fiecare șase luni, încărcăți acumulatorii în mod normal.

PROTECȚIA ACUMULATORILOR

Acumulatorii au protecție la supraîncărcare ceea ce îi protejează contra supra-încărcării și le prelungește durata de funcționare. În condiții de stres extrem, sistemele electronice cu acumulatori se opresc automat. Pentru repornire, puneți comutatorul pe poziția „off” și apoi din nou pe poziția „on”. Dacă echipamentul nu pornește din nou, este posibil ca acumulatorii să se fi descărcat complet. În acest caz, trebuie reîncărcăți acumulatorii.

RISCURI REZIDUALE

Chiar dacă produsul este folosit așa cum este descris, este totuși imposibil să se elimine complet anumiți factori de risc reziduali. Următoarele pericole ar putea apărea în timpul folosirii iar operatorul trebuie să acorde o atenție specială pentru a evita următoarele:

- Utilizați produsul numai în scopurile prevăzute. Nu modificați unitatea de la designul original sau funcția originală.
- Întotdeauna trebuie să fiți conștienți de faptul că utilizarea incorectă și manipularea necorespunzătoare a acestui instrument poate cauza vătămarea dvs. și a altor persoane.
- Nu lăsați niciodată compresorul nesupravegheat cu furtunul de aer legat la o unealtă.
- Nu continuați să utilizați echipamentul sau furtunul care are scurgeri de aer sau nu funcționează corect.
- Risc de explozie
 - Nu ajustați regulatorul pentru a da o presiune mai mare decât cea maxim marcată pe plăcuța de parametri anexată.
- În timpul funcționării, motorul și plonjorul generează căldură și temperatură înaltă. Atingerea părților metalice expuse poate avea ca urmare arsuri grave.
 - Țineți întotdeauna compresorul de aer departe de zona de lucru.
- Vătămare cauzată de zgomot.
 - Purtați echipamente de protecție a auzului.
- Jetul de la compresorul de aer poate antrena gunoaie, așchii, particulele mobile și obiecte mici la viteze mari. Acest lucru poate avea ca urmare aruncarea obiectelor în ochi sau alte posibile răniri grave.

- Purtați întotdeauna echipament personal de protecție adecvat, când operați diverse unelte.

CUNOAȘTEȚI-VĂ PRODUSUL.

Salt la pagina nr. 195.

1. Furtunul se înfășoară în jurul mânerelor
2. Cuplor pentru conectare rapidă
3. Cuplor tip „tată” pentru debit mare, PCL 1/4” BSP
4. Manometru rezervor
5. Butonul regulatorului de presiune
6. Manometru de reglare
7. Mâner de transport
8. Supapă de siguranță
9. Întrerupător pornire/oprire
10. Pachet de baterii
11. Supapă de drenare
12. Buton resetare

DEZAMBALAREA

Inspectați produsul cu atenție pentru a nu prezenta deteriorări sau defecte în urma expedierii.

Nu aruncați ambalajul produsului decât după ce l-ați verificat optic și funcțional.

⚠ AVERTISMENT

Dacă există piese lipsă sau deteriorate, nu utilizați produsul până ce acestea nu sunt înlocuite. Utilizarea produsului cu piese lipsă sau deteriorate poate duce la răniri personale grave.

⚠ AVERTISMENT

Nu încercați să modificați această unealtă sau să creați accesorii nerecomandate a fi utilizate cu aceasta. Orice astfel de alterare sau modificare reprezintă o utilizare necorespunzătoare și poate rezulta în crearea de condiții periculoase ce pot conduce la rănirea dumneavoastră gravă.

⚠ AVERTISMENT

Pentru a se preveni pornirea accidentală care ar putea cauza răniri grave de persoane, scoateți întotdeauna acumulatorul de pe echipament, atunci când se asamblează părțile componente.

OPERAREA

PREGĂTIRE

Conectarea/deconectarea furtunului de aer

Salt la pagina nr. 196.

NOTĂ: Pentru funcționarea la presiuni ce depășesc 7 bari, (102 psi) furtunurile de fumizare a aerului trebuie prevăzute cu o întăritură de siguranță, adică cu frânghie de sârmă.

1. Asigurați-vă că aveți comutatorul de alimentare cu energie pe poziția „OFF” (O) și că acumulatorul este deconectat.





EN
FR
DE
ES
IT
NL
PT
DA
SV
FI
NO
RU
PL
CS
HU
RO
LV
LT
ET
HR
SL
SK
BG
UK
TR
EL

2. Trageți și scoateți șurubul-mâner al regulatorului pentru a putea face ajustarea. Rotiți complet mânerul regulatorului, în sensul acelor de ceasornic.
3. Confirmați că presiunea de ieșire este zero bar.
4. Atașați un furtun de aer cu un conector, la 6,35 mm (1/4 in.) la cuplorul cu conectare rapidă de pe compresorul de aer. Asigurați-vă că ați împins complet conectorul în cuplor, până când manșonul de pe arcul cuplorului înaintează și fixează conectorul la locul lui.

Pentru a deconecta furtunul de aer de la o unealtă pneumatică:

1. Trageți și scoateți șurubul-mâner al regulatorului pentru a putea face ajustarea. Rotiți complet mânerul regulatorului, în sensul acelor de ceasornic.
2. Confirmați că presiunea de ieșire este zero bar.
3. Trageți înapoi de manșonul de eliberare de pe cuplajul rapid de 6,35 mm. Apucându-l ferm, trageți afară conectorul furtunului care este conectat la cuplorul cu conectare rapidă.

Instalarea/ scoaterea acumulatorului

1. Asigurați-vă că aveți comutatorul de alimentare cu energie pe poziția „OFF” (O).
2. Inserați un acumulator în portul pentru acumulator.
3. Asigurați-vă că elementele de blocare de pe fiecare parte a pachetului de baterii s-au înclichetat în poziție și că pachetul de baterii este securizat înainte de începerea utilizării.
4. Apăsăți clicheții pentru a îndepărta acumulatorul.
5. Pentru instrucțiuni complete referitoare la încărcare, vedeți secțiunea referitoare la acumulatori și la încărcare din manualul operatorului.

UTILIZAREA COMPRESORULUI DE AER

⚠ PERICOL

Nu dezasamblați supapele de purjare a rezervorului și nici supapa de siguranță din interiorul rezervorului de aer. Scoateți aerul din rezervorul de aer. Dacă nu scădeți presiunea din interiorul rezervorului de aer, se pot cauza explozii și/sau răniri grave de persoane.

⚠ AVERTISMENT

Purtați întotdeauna ochelari de protecție cu apărători laterale. Nerespectarea acestei reguli poate antrena proiectarea de corpuri străine în ochi și poate provoca răniri grave.

⚠ AVERTISMENT

Nu utilizați alte piese sau accesorii decât cele recomandate de către producătorul acestei mașini. Utilizarea de piese sau accesorii nerecomandate poate prezenta riscuri de răniri grave.

⚠ AVERTISMENT

Nu atașați nicio unealtă la capătul liber al furtunului până când pornirea nu este finalizată.

⚠ AVERTISMENT

Atunci când asamblați piesele componente, realizați proceduri de reglare și curățare sau atunci când dispozitivul nu este în funcțiune, îndepărtați întotdeauna acumulatorul din cadrul unelei dumneavoastră. Îndepărtarea acumulatorului previne pornirea accidentală care poate conduce la rănirea dumneavoastră gravă.

⚠ AVERTISMENT

Nu utilizați într-un mediu cu praf sau care este altfel contaminat. Utilizarea compresorului de aer în acest tip de mediu poate cauza deteriorarea echipamentului.

Ajustarea presiunii aerului

Salt la pagina nr. 197.

1. Asigurați-vă că aveți comutatorul de alimentare cu energie pe poziția „OFF” (O) și că acumulatorul este scos.
2. Instalați acumulatorul pe echipament.
3. Puneți comutatorul de alimentare cu energie pe poziția „ON” (I).
4. Trageți și scoateți șurubul-mâner al regulatorului pentru a putea face ajustarea.
5. Rotiți butonul regulatorului de presiune la valoarea de presiune dorită. Rotirea butonului la dreapta mărește presiunea aerului la ieșire. Rotirea la stânga reduce presiunea aerului la ieșire. Apăsăți butonul regulatorului de presiune pentru a dezactiva ajustarea.
6. După ce ați aplicat toate măsurile de precauție și de siguranță din acest manual și instrucțiunile producătorului, din manualul unelei pneumatice, puteți acum să începeți utilizarea unelei alimentată cu aer.

⚠ AVERTISMENT

Este posibil ca uneltele pneumatice să necesite un consum mai mare de aer decât poate furniza acest compresor de aer. Verificați manualul unelei pentru a evita deteriorarea unelei sau riscul de vătămare corporală.

7. Controlați debitul de aer cu ajutorul butonului regulatorului de presiune. Rotirea completă a butonului contra sensului acelor de ceasornic va opri de tot fluxul de aer.
NOTĂ: Utilizați întotdeauna valoarea minimă a presiunii necesare pentru aplicația dvs. Utilizarea unei presiuni mai mari decât cea necesară va goli aerul din rezervorul de aer mai rapid și va determina unitatea să pornească mai frecvent.
8. Pentru a opri compresorul, apăsați butonul de alimentare cu energie și puneți-l pe poziția „OFF” (O).
NOTĂ: Când compresorul este pe poziția „ON” (I), acesta va porni automat când presiunea setată a aerului din compresor va scădea sub limita de presiune. De asemenea, se va opri din nou atunci când se va atinge presiunea dorită.



⚠️ AVERTISMENT

Nu depășiți niciodată parametrul de presiune recomandat de producător pentru unealta pneumatică. Când folosiți compresorul pentru a umfla ceva, urmați întotdeauna instrucțiunile cu privire la presiunea maximă de umflare stabilită de producătorul produsului ce urmează a fi umflat.

⚠️ AVERTISMENT

Asigurați-vă întotdeauna că aveți comutatorul de alimentare cu energie pe poziția „OFF” (O) și că manometrul regulatorului indică presiune zero, înainte de a schimba unealta pneumatică sau de a deconecta furtunul de aer de la evacuarea aerului. În caz contrar, pot rezulta vătămări corporale grave.

9. Când ați terminat operațiunea, purjați întotdeauna rezervorul și scoateți acumulatorul. A nu se lăsa niciodată nesupravegheat echipamentul în stare de funcționare și nici cu acumulatorul instalat.

PURJAREA REZERVORULUI DE AER

Salt la pagina nr. 198.

Pentru a preveni corodarea rezervorului de aer și pentru a împiedica formarea umezelii în interiorul rezervorului, rezervorul de aer al compresorului trebuie purjat zilnic.

Pentru purjarea rezervorului:

1. Asigurați-vă că aveți comutatorul de alimentare cu energie pe poziția „OFF” (O).
2. Scoateți acumulatorii.
3. Trageți de inelul supapei de presiune până când manometrul rezervorului indică o valoare mai mică decât 1,4 bari (20 PSI).
4. Eliberați inelul.
5. Rotiți maneta supapei de purjare în sens invers acelor de ceasornic pentru a se evacua umezeala.

NOTĂ: Condensul este un material poluant și trebuie eliminat în conformitate cu reglementările locale.

6. Rotiți maneta supapei de purjare în sensul acelor de ceasornic pentru a închide supapa.

BUTON RESETARE

Atunci când curentul care alimentează motorul compresorului de aer depășește parametrii specificați, compresorul se va opri în mod automat.

Pentru resetarea compresorului:

1. Scoateți acumulatorii.
2. Opriți unealta.
3. Așteptați trei minute ca motorul să se răcească.
4. Apăsăți butonul de resetare.
5. Instalați acumulatorul pe echipament.
6. Porniți produsul.

SCHIMBAREA CUPLORULUI

Salt la pagina nr. 199.

1. Asigurați-vă că aveți comutatorul de alimentare cu energie pe poziția „OFF” (O).
2. Scoateți acumulatorii.

3. Trageți de inelul supapei de presiune până când manometrul rezervorului indică o valoare mai mică decât 1,4 bari (20 PSI).
4. Eliberați inelul.
5. Utilizând o cheie, deșurubați și scoateți cuplorul prin rotire contra acelor de ceasornic.
6. Utilizând o cheie, instalați un nou cuplor și strângeți rotund în sensul acelor de ceasornic.

TRANSPORTARE ȘI DEPOZITARE

Salt la pagina nr. 200 - 201.

1. Asigurați-vă că aveți comutatorul de alimentare cu energie pe poziția „OFF” (O).
2. Scoateți acumulatorii.
3. Porniți unealta pneumatică pentru a scădea presiunea aerului din furtun, apoi deconectați furtunul de aer și unealta pneumatică. Scoateți aerul prin acționarea supapei de purjare.
4. Drenați apa din rezervor conform instrucțiunilor din secțiunea „Purjarea rezervorului de aer”.
5. Curățați echipamentul cu o cârpă uscată.
6. Înfășurați furtunul în jurul mânerelor prevăzute pentru aceasta.
7. Transportați echipamentul folosind mânerul.
8. Depozitați compresorul de aer în poziția sa normală de funcționare, într-o zonă uscată și protejată.

⚠️ AVERTISMENT

Când compresorul este în stare de funcționare se va forma condens de apă în rezervor. Apa lăsată în rezervor poate cauza corodarea și slăbirea rezervorului, sporind riscul de fisurare a acestuia.

⚠️ AVERTISMENT

Furtunul de aer trebuie deconectat întotdeauna de la unelte, ori de câte ori acestea nu sunt folosite sau în timpul operațiilor de service. În timpul operațiilor de întreținere, o unealtă conectată la furtunul de aer poate funcționa accidental, cauzând rănirea gravă a persoanelor!

⚠️ AVERTISMENT

Dacă acumulatorul nu se scoate de pe compresorul de aer, înainte de depozitarea acestuia, se poate să continue funcționarea compresorului, cauzându-se supraîncălzirea acestuia, deteriorarea și posibil un incendiu.

ÎNȚREȚINEREA

ÎNȚREȚINERE GENERALĂ

- Evitați utilizarea solvenților atunci când curățați piesele din plastic. Majoritatea materialelor plastice pot fi deteriorate de diferite tipuri de solvenți comerciali și pot fi deteriorate de utilizarea acestora. Utilizați materiale textile curate pentru a îndepărta murdăria, praful, uleiul, grăsimea etc.
- Nu lăsați niciun moment ca lichidele de frână,

produsele pe bază de petrol, uleiurile penetrante etc să intre în contact cu părțile din plastic. Aceste produse chimice conțin substanțe care pot distruge, fragiliza sau deteriora plasticul.

- Întotdeauna trebuie să scădeți toată presiunea, să scoateți acumulatorul și să lăsați echipamentul să se răcească până când îl puteți atinge, înainte de a-l curăța sau de a efectua reparații la echipament.
- Nu modificați produsul în niciun fel sau să folosiți accesorii neaprobate de producător. Siguranța dvs. și a celorlalți poate fi periclitată.
- Nu folosiți produsul dacă oricare din întrerupătoare, apărători sau alte funcții nu funcționează corespunzător. Returnați la un centru service autorizat pentru reparare profesională sau reglare.
- Scoateți acumulatorul din produs înainte de a efectua reglaje, operații de lubrifiere sau întreținere a produsului.
- Înainte și după fiecare folosire, verificați produsul de deteriorare sau piese rupte/crăpate. Mențineți produsul în condiții optime de funcționare prin înlocuirea imediată a pieselor cu piese de schimb aprobate de producător.

⚠ AVERTISMENT

Pentru o mai mare siguranță și încredere, toate reparațiile trebuie să fie îndeplinite la un centru service autorizat.

PROTECȚIA MEDIULUI ÎNCONJURĂTOR



Reciclați materiile prime în loc să le aruncați la gunoi, împreună cu deșeurile menajere. Pentru a proteja mediul înconjurător, mașina, accesoriile acesteia și ambalajele trebuie triate.

SIMBOLURILE DE PE PRODUS.



Alertă de siguranță



Vă rugăm citiți instrucțiunile cu atenție înainte de pornirea aparatului.



Conformitate CE

Marcaj de conformitate EurAsian



Semn de conformitate ucrainean



Purtați întotdeauna ochelari de protecție atunci când utilizați mașina.



Purtați aparatoare de urechi.



Pentru folosire în interior



Alertă de umezeală Nu expuneți în ploaie Depozitați în interior.



Periculos pentru respirație Aerul obținut direct de la compresor nu trebuie utilizat niciodată ca sursă de aer pentru consum uman.



Risc de explozie. Nu ajustați regulatorul pentru a da o presiune mai mare decât cea maxim marcată pe plăcuța de parametri anexată. Nu utilizați la o presiune mai mare de 10 bari.



Este posibil ca acest compresor să pornească fără un avertisment.



Risc de incendiu sau explozie. Zona de pulverizare trebuie să fie bine ventilată. Nu fumați în timp ce pulverizați sau nu pulverizați, dacă sunt prezente scântei sau flăcări. Păstrați compresoarele cât mai departe posibil de zona de pulverizare. Păstrați compresorul de cel puțin 10 m distanță de zona de pulverizare și toți vaporii explozivi.



Presiune reglată



Presiunea rezervorului



Deșeurile produselor electrice nu trebuie să fie eliminate împreună cu deșeurile casnice. Vă rugăm reciclați acolo unde există facilități. Verificați la autoritatea dvs locală sau la vânzător pentru sfaturi privind reciclarea.

SIMBOLURILE DIN MANUAL



Piese sau accesorii vândute separat



Notă



Avertisment

Rmătoarele cuvinte simbol și înțelesul lor au intenția de a explica nivelele de risc asociate cu acest produs.

⚠ PERICOL

Indică o situație imediată de pericol, care dacă nu este evitată va rezulta în deces sau rănire gravă.



AVERTISMENT

Indică o situație potențială de pericol, care dacă nu este evitată poate rezulta în deces sau rănire gravă.

PRECAUȚIE

Indică o situație potențial periculoasă, care dacă nu este eviată, poate rezulta în vătămare minoră sau moderată.

PRECAUȚIE

(Fără simbol de alertă de siguranță) Indică o situație ce poate rezulta în distrugerea proprietății.





Radot jūsu gaisa kompresoru, drošībai, veikspējai un uzticamībai ir pievērsta vislielākā vērība.

PAREDZĒTĀ LIETOŠANA

Gaisa kompresors ir veidots tikai saspiesta gaisa padevei. To nedrīkst izmantot, lai saspiestu jebkuru citu gāzi.

Produkts ir radīts, lai darbinātu pneimatiskos instrumentus vai piepūstu priekšmetus ar lielu spiedienu, piemēram auto vai velosipēdu riepas.

Izstrādājums paredzēts lietošanai tikai pieaugušiem, kuri izlasījuši un sapratuši šīs rokasgrāmatas norādes un brīdinājumus un var tikt uzskatīti par atbildīgiem par savu rīcību.

Produktu drīkst lietot tikai iekšējās.

Neizmantojiet ierīci citiem mērķiem, bet tikai tam paredzētajiem. Izmantojot elektroinstrumentu darbības, kas nav paredzētas, var rasties bīstama situācija.

VISPĀRĪGIE DROŠĪBAS BRĪDINĀJUMI

BRĪDINĀJUMS

Izlasiet visus drošības brīdinājumus un visas instrukcijas. Brīdinājumu un instrukciju neievērošana var izraisīt elektrošoku, aizdegšanos un/vai nopietnus ievainojumus.

Visus brīdinājumus un norādījumus saglabājiet turpmākām uzziņām.

BRĪDINĀJUMS

Izmantojot elektroinstrumentus, vienmēr jāievēro drošības vienmēr, lai samazinātu aizdegšanās, elektriskās strāvas trieciena un personiskās traumas risku. Pirms mēģināt izmantot šo produktu, izlasiet un saglabājiet šos norādījumus.

DROŠĪBA DARBA VIETĀ

- Darba vietai jābūt tīrai. Nekārtīgas darba zonas un darbgaldi var būt negadījuma iemesls. Instrumenta lietošanas laikā neatstājiet uz tā instrumentus vai koka gabalus.
- Neizmantojiet produktu bīstamā vidē. Nelietojiet elektroinstrumentus mitrās vai slapjās vietās vietās un neļaujiet tiem salīst. Darba vietai jābūt labi apgaismotai.
- Bērniem un apmeklētājiem ir jāatrodas pietiekamā atstatumā. Visiem apmeklētājiem ir jāuzliek aizsargbrilles un jāatrodas drošā attālumā no darba zonas. Lietošanas laikā neļaujiet apkārtējiem pieskarties kompresoram.
- Nekad neizmantojiet sprādzienbīstamā atmosfērā. Parasta motora dzirksteļošana var aizdedzināt garaiņus.

ELEKTRODROŠĪBA

- Ja kāda no produkta elektriskajām sastāvdaļām darbojas ar klūmēm, izslēdziet barošanas slēdzi, noņemiet akumulatoru bloku no produkta un nomainiet

bojāto daļu pirms darbības atsākšanas.

- Nepakļaujiet elektroinstrumentus lielumam vai mitrumam apstākļiem. Ūdens iekļūšana elektroinstrumentā palielina elektriskā trieciena risku.

PERSONAS DROŠĪBA

- Saglabājiet modrību un kontroli. Vērojiet savu darbu un rīkojieties saskaņā ar veselo saprātu. Neizmantojiet instrumentu, ja esat noguris. Nesteidzieties.
- Apģērbieties pareizi. Nevalkājiet valģu apģērbu, kaklasaites vai rotaslietas, kuras var iekļerties un ievilk jūs kustīgajās detaļās. Strādājot ārā, ieteicams izmantot gumijas cimdus un neslīdošus apavus. Aizsargājiet garus matus, uzliekot galvas apsegu.
- Vienmēr nēsājiet aizsargbrilles ar sānu aizsargiem. Ikdienā izmantojamām brillēm ir tikai triecienizturīgas lēcas; tās NAV aizsargbrilles.
- Aizsargājiet plaušas. Ja darbs ir puteklains, valkājiet putekļu masku.
- Aizsargājiet dzirdi. Ilgāku darbības periodu laikā izmantojiet dzirdes aizsargaprīkojumu.
- Nesniedzieties tam pāri. Visu laiku stāviet stingri un stabili.
- Noņemiet regulācijas atslēgas un uzgriežņu atslēgas. Pirms instrumenta ieslēgšanas vienmēr pārbaudiet, vai no tā ir noņemtas atslēgas un regulēšanas uzgriežņu atslēgas.

GAISA KOMPRESORA LIETOŠANA UN KOPŠANA

- Nepārsniedziet nominālo spiedienu nevienai sistēmas sastāvdaļai.
- Sargājiet vadus un gaisa šļūtenes no bojājumiem un plūsmiem. Turiet šļūteni atstatu no asiem priekšmetiem, ķīmiskām vielām, eļļām, šķīdinātājiem un slapjām grīdām.
- Pirms katras lietošanas pārbaudiet, vai šļūtenes nav nolietotas vai izdilušas un pārliecinieties, ka visi savienojumi ir droši. Nelietojiet, ja ir atrasts bojājums. Nopērciet jaunu šļūteni vai informējiet pilnvarotu apkopes centru par pārbaudi vai remontu.
- Visus spiedienus sistēmā samaziniet lēni. Putekļi un garži var būt kaitīgi.
- Glabājiet kompresoru bērniem un citām neapmācītām personām nepieejamā vietā. Neapmācītu lietotāju rokās gaisa kompresori ir bīstami.
- Rūpīgi kopiet gaisa kompresoru. Ievērojiet apkopes norādījumus. Pareizi apkopti instrumenti ir vieglāk vadāmi.
- Pārbaudiet kustīgo detaļu savienojumu pareizību, detaļu berzi un citus apstākļus, kas var ietekmēt instrumenta darbu. Ja instruments ir bojāts, pirms lietošanas veiciet tā remontu. Daudzus negadījumus izraisa slikti apkopti instrumenti.
- Uzturiet produkta ārpusi sausu, tīru, noslauciet eļļas un smērvielas. Tīrīšanai vienmēr izmantojiet tīru drāniņu. Ierīces tīrīšanai nekad nelietojiet bremžu šķidrumus, benzīnu, produktus uz naftas bāzes vai stiprus šķīdinātājus. Šī noteikuma ievērošana samazinās plastmasas detaļu nolietošanu.

EN
FR
DE
ES
IT
NL
PT
DA
SV
FI
NO
RU
PL
CS
HU
RO
LV
LT
ET
HR
SL
SK
BG
UK
TR
EL





TEHNISKĀ APKOPE

- Veicot apkopi, izmantojiet tikai identiskas rezerves daļas. Jebkādi citu detaļu izmantošana var izraisīt bīstamību vai produkta bojājumus.

Saglabājiet šīs instrukcijas. Bieži pārlasiet šos norādījumus un izmantojiet tos citu lietotāju instruēšanai. Ja kādam aizdodat šo instrumentu, aizdodiet arī šos norādījumus.

GAISA KOMPRESORA DROŠĪBAS BRĪDINĀJUMI

- Ierīces iepazīšana. Rūpīgi izlasiet lietotāja rokasgrāmatu. Apgūstiet mašīnas pielietojumu un iespēju ierobežojumus, kā arī potenciālo bīstamību, kas saistīta ar šo instrumentu. Šī noteikuma ievērošana mazinās elektriskā trieciena, aizdegšanās un nopietnu traumu risku.
- Noteciniet kondensātu no gaisa tvertnes katru dienu pēc lietošanas. Ja produktu kādu laiku neizmantos, vislabāk ir atstāt notecināšanas vārstu atvērtu līdz nākošajai lietošanai. Tas ļaus mitrumam pilnībā iztect un novērsīs koroziju gaisa tvertnes iekšpusē.
- Uzliesmošanas vai sprādziena bīstamība. Neizsmidziniet degošus šķidrumus noslēgtā vietā. Izsmidzināšanas vietai jābūt labi vēdināmai. Nesmēķējiet, kamēr veicat izsmidzināšanu un neizsmidziniet dzirksteļu vai liesmu klātbūtnē. Turiet produktu vismaz 10 m (33 pēdas) atstatu no krāsošanas zonas un visiem sprādzienbīstamiem tvaikiem.
- Risks saplīst. Neveiciet izplūdes gaisa spiediena regulatora iestatīšanu uz spiedienu, kas lielāks, nekā norādītais maksimālais spiediens uz pievienotā darbarīka. Neizmantot ar spiedienu, kas lielāks kā 8,3 bar.
- Lai samazinātu elektro trieciena risku, nepakļaujiet produktu lietus iedarbībai. Glabājiet produktu telpās.
- Pārbaudiet gaisa tvertni reizi gadā, vai tai nav rūsas, plaisas, durtu caurumu vai citu bojājumu, kas var izraisīt produkta kļūšanu par nedrošu.
- Nekad nemetiniet un neurbiet caurumus gaisa tvertnē.
- Pārliecinieties, ka šļūtenei nav šķēršļu vai iespiedumu. Savēptas un samudzinātas šļūtenes var izraisīt līdzsvara zudumu un var tikt bojātas.
- Izmantojiet produktu tikai tā paredzētajam pielietojumam. Nepārveidojiet ierīces sākotnējo konstrukciju vai darbību.
- Vienmēr uzmanieties, jo nepareiza šī instrumenta lietošana un neatbilstoša apiešanās var izraisīt ievainojumus jums un citiem.
- Nekad neatstājiet produktu bez uzraudzības, ja instrumentam ir pievienota gaisa šļūtene.
- Nekad nevērsiet pneimatisko instrumentu pret sevi vai citiem.
- Nedarbiniet šo darbarīku, ja tam nav salasāmas brīdinājuma uzlīmes.
- Neturpiniet izmantot darba rīku vai šļūteni, kam ir gaisa sūce vai kas nedarbojas pareizi.

- Vienmēr atvienojiet akumulatoru bloku, pirms veikt regulēšanu, apkopi vai, ja produkts netiek izmantots.
- Nemēģiniet nest vai vilkt izstrādājumu, turot aiz šļūtenes.
- Jūsu instrumentam var būt nepieciešama lielāks gaisa padeves apjoms nekā produkts spēj nodrošināt.
- Vienmēr ievērojiet visus drošības noteikumus, kurus ieteicis jūsu pneimatiskā instrumenta ražotājs, papildus paša sūkņa drošības noteikumiem. Šī noteikuma ievērošana samazinās smaga ievainojuma risku.
- Nekad nevirziet spiestā gaisa strūklu pret cilvēkiem vai dzīvniekiem. Nenopūtiē putekļus un netīrumus virzienā pret jums vai citiem. Šī noteikuma ievērošana samazinās smaga ievainojuma risku.
- Neizmantojiet produktu, lai izsmidzinātu ķīmikālijas. Jūsu mandeles var tikt bojātas, ieelpojot toksiskus izgarojumus. Strādājot putekļainā vidē vai izsmidzinot krāsu, lietojiet respiratoru. Nepārvietojiet krāsošanas laikā.
- Instrumenta vadu un šļūtenes periodiski pārbaudiet un, ja tie ir bojāti, tad nododiet tos remontēšanai pilnvarotā apkopes centrā. Pastāvīgi kontrolējiet, kur atrodas barošanas vads. Šī noteikuma ievērošana mazinās elektriskā trieciena un aizdegšanās risku.
- Pārbaudiet kustīgo detaļu savienojumu pareizību, detaļu berzi un citus apstākļus, kas var ietekmēt instrumenta darbu. Ja instruments ir bojāts, pirms lietošanas veiciet tā remontu. Daudzus negadījumus izraisa slikti apkopti instrumenti.
- Kad nostiprinātie aizsargi ir jānoņem periodiskas kopšanas veikšanai vai remontam, to stiprinājumu sistēmām ir jāpaliek pievienotām aizsargam vai iekārtai, ja tie tiek noņemti.
- Nekad neglabājiet pneimatisko instrumentu ar tam pievienotu gaisa šļūteni. Instrumenta glabāšana ar pievienotu gaisa padevi var izraisīt neparedzētu tā darbību, nostrādāšanu vai kustību un iespējamus smagus ievainojumus.
- Aizsargājiet plaušas. Ja darbs ir putekļains, valkājiet putekļu masku. Šī noteikuma ievērošana samazinās smaga ievainojuma risku.
- Saglabājiet šīs instrukcijas. Bieži pārlasiet šos norādījumus un izmantojiet tos citu iespējamo lietotāju instruēšanai. Ja kādam aizdodat šo instrumentu, aizdodiet arī šos norādījumus.
- Darbiniet mehānismu vadības paneļa priekšpusē.
- Kad mehānisms darbojas, daudzas mehānisma detaļas var sakarst. Izmantojiet nepieciešamo personīgo aizsargaprīkojumu, piemēram, cimdus, lai nepieļautu apdegumus.
- Izstrādājums nav paredzēts lietošanai personām (tostarp bērniem) ar ierobežotām fiziskajām, sensorajām vai mentālajām spējām, vai ar pieredzes un zināšanu trūkumu. Bērnus ir jāpieskata, lai nodrošinātu, ka tie nespēlējas ar produktu.





EN
FR
DE
ES
IT
NL
PT
DA
SV
FI
RU
NO
PL
CS
HU
RO
LV
LT
ET
HR
SL
SK
BG
UK
TR
EL

AKUMULATORA UN LĀDĒTĀJA DROŠĪBAS NORĀDĪJUMI

▲ BRĪDINĀJUMS

Lai novērstu īssavienojuma izraisītu aizdegšanās, savainojumu vai produkta bojājuma risku, neiegremdējiet instrumentu, maināmo akumulatoru vai uzlādes ierīci šķidrums un rūpējieties par to, lai ierīcēs un akumulatoros neieķūtu šķidrumus. Koroziju izraisoši vai vadītspējīgi šķidrums, piemēram, sālsūdens, noteiktas ķīmikālijas, balinātāji vai produkti, kas satur balinātājus, var izraisīt īssavienojumu.

- **Veiciet uzlādēšanu tikai ar ražotāja noteikto lādētāju.** Lādētājs, kas ir pielāgots noteiktam akumulatora veidam, var izraisīt aizdegšanās risku, ja tas tiek lietots citāda akumulatora lādēšanai.
- **Izmantojiet elektroinstrumentus tikai ar īpašie tiem radītiem akumulatoru blokiem.** Jebkādu citu akumulatoru izmantošana var radīt ievainojumu un uzliesmošanas risku.
- **Kad bateriju paka netiek lietota, glabājiet to attālumā no tādiem metāla priekšmetiem kā saspaušanas, monētas, atslēgas, naglas, skrūves un citi maza izmēra metāla priekšmeti, kas var izveidot savienojumu starp bateriju spailēm.** Īssavienojuma radīšana starp akumulatora kontaktiem var radīt apdegumus vai uzliesmošanu.
- **Nelabvēlīgos apstākļos no akumulatora var tikt izspiests šķidrums, izvairieties no saskarsmes ar to.** Nejauši ar to saskaroties, noskalojiet ar ūdeni. Ja šķidrums nonāk saskarsmē ar acīm, papildus griežieties pēc medicīniskas palīdzības. No akumulatora izspiestais šķidrums var izraisīt kairinājumu vai apdegumus.
- **Akumulatora izstrādājumi nav jāpieslēdz elektrotīklam; tādējādi tie vienmēr ir lietošanas gatavībā.** Ņemiet vērā, ka riski pastāv arī tīklmēr, kamēr akumulatora izstrādājums netiek lietots un kamēr jūs maināt piederumus. Šī noteikuma ievērošana mazinās elektriskā trieciena, aizdegšanās un nopietnu traumu risku.
- **Nenovietojiet akumulatoru izstrādājumus vai to akumulatorus uguns vai karstuma avotu tuvumā.** Tas mazinās eksploziju un traumu risku.
- **Nespiediet, nemetiet un nebojājiet akumulatoru komplektu.** Nelietojiet akumulatoru komplektu vai lādētāju, kas nokritis zemē vai saņēmis spēcīgu triecienu. Bojāts akumulatoru var uzsprāgt. Nokritis vai bojāts akumulators nekavējoties pareizi jānūlīzē.
- **Akumulatori var uzsprāgt, ja tuvumā ir aizdegšanās ierosinātājs, piemēram, signāllampīņa.** Lai mazinātu nopietnu traumu risku, nelietojiet bezvadu izstrādājumus atklātas liesmas tuvumā. Eksplozīvais akumulators var izdalīt netīrumus un ķīmiskās vielas. Saskaņā ar gadījuma nekavējoties nomazgājiet ar ūdeni.
- **Nelādējiet akumulatora izstrādājumu mitrā vietā.** Šī noteikuma ievērošana mazinās elektriskā trieciena.
- **Labāku rezultātu sasniegšanai jūsu akumulatora izstrādājumu ir jālādē vietā, kurā temperatūra**

ir augstāka par 10°C, bet zemāka par 38°C. Lai samazinātu smagu ievainojumu risku, neglabājiet izstrādājumu ārā vai automašīnās.

- **Izmantojot ekstrēmās apstākļos vai temperatūrās, akumulatoram var rasties noplūde.** Ja šķidrums no baterijām nonāk uz jūsu ādas, nekavējoties mazgājiet ar ziepēm un ūdeni. Ja šķidrums iekļūst acīs, skalojiet tās ar tīru ūdeni vismaz 10 minūtes, pēc tam nekavējoties meklējiet medicīnisko palīdzību. Šī noteikuma ievērošana samazinās smaga ievainojuma risku.
- **Neizmantojiet akumulatoru bloku, kas ir bojāts vai pārveidots.** Bojāts vai pārveidots akumulatoru bloks var izraisīt neparedzamu darbību, kas var izraisīt uzliesmošanu, sprādzienu vai ievainojumu risku.
- **Nemēģiniet izmainīt vai labot akumulatoru bloku, kas ir bijis bojāts.**
- **Nepakļaujiet akumulatoru bloku vai instrumentu liesmu vai paaugstinātas temperatūras iedarbībai.** Pakļaujot liesmām vai temperatūrai virs 130°C var izraisīt sprādzienu.
- **Ievērojiet visas lādēšanas instrukcijas un nelādējiet akumulatoru bloku vai instrumentu, ja temperatūra ir ārpus diapazona, kas norādīts instrukcijās.** Nepareiza lādēšana vai lādēšana temperatūrā, kas ir ārpus norādītā diapazona, var izraisīt akumulatora bojājumus un palielināt uzliesmošanas risku.

LITIJA AKUMULATORU PĀRVADĀŠANA

Pārvadājiet akumulatoru saskaņā ar vietējiem un valsts nosacījumiem un noteikumiem.

Ja akumulatoru pārvadāšanu veic trešā puse, ievērojiet visas īpašās prasības par iepakojšanu un marķēšanu. Transportējot nodrošiniet, lai akumulatori nesaskaras ar citiem akumulatoriem vai vadošiem materiāliem, atsegtos savienotājus aizsargājot ar izolējošiem, nevadošiem vāciņiem vai lenti. Nepārvietojiet akumulatorus, kas ir iekļūti vai ar noplūdi. Konsultējieties ar pārsūtīšanas uzņēmumu.

AKUMULATORI

Akumulatoru blokus, kuri kādu laiku nav bijuši lietošanā, pirms lietošanas nepieciešams uzlādēt.

Temperatūras, kas pārsniedz 50°C (122°F) samazina akumulatoru bloka veiktspēju. Izvairieties no ilgstošas pakļaušanas karstumam vai tiešiem saules stariem (pārkaršanas risks).

Akumulatoru un to lādētāju kontaktus ir jāuztur tīrus.

Optimālam darba mūžam akumulatoru bloku pēc lietošanas pilnībā jāuzlādē

Lai iegūtu garāko iespējamo akumulatora darba mūžu, izņemiet akumulatoru bloku no lādētāja, kad tas ir līdz galam uzlādēts.

Akumulatoru bloku glabāšanai ilgāk par 30 dienām:

- Glabājiet akumulatoru bloku sausā vietā, kur temperatūra ir zemāka par 27°C.
- Glabājiet akumulatorus stāvoklī, kad to lādiņš ir 30%-50% no pilna.
- Reizi sešos mēnešos veiciet akumulatora bloka uzlādi kā parasti.





AKUMULATORU BLOKA AIZSARDŽĪBA

Akumulatoru blokam ir pārslodzes aizsardzība, kas aizsargā to un palīdz nodrošināt ilgu darbību. Galēju slodžu gadījumā akumulatora elektroniskais slēdzis automātiski izslēdz produktu. Lai atiestatītu elektroinstrumentu, izslēdziet un tad ieslēdziet produktu. Ja produkts nesāk darboties, akumulatora bloks var būt pilnīgi izlādējies. Šādā gadījumā veiciet tā uzlādēšanu lādētājā.

PALIEKOŠIE RISKI

Pat tad, ja ierīce tiek lietota, kā aprakstīts, joprojām nav iespējams pilnībā novērst atsevišķus riska faktorus. Lietošanas laikā var rasties šādas briesmas un strādniekam tīpaša uzmanība jāpievērš šim:

- Izmantojiet produktu tikai tā paredzētajam pielietojumam. Nepārveidojiet ierīces sākotnējo konstrukciju vai darbību.
- Vienmēr uzmanieties, jo nepareiza šī instrumenta lietošana un neatbilstoša apiešanās var izraisīt ievainojumus jums un citiem.
- Nekad neatstājiet produktu bez uzraudzības, ja instrumentam ir pievienota šļūtene.
- Neturpiniet izmantot darba rīku vai šļūteni, kam ir gaisa sūce vai kas nedarbojas pareizi.
- Risks saplīst
 - Neveiciet izplūdes gaisa spiediena regulatora iestatīšanu uz spiedienu, kas lielāks, nekā norādītais maksimālais spiediens uz pievienotā darbarīka.
- Motoram un cilindram darbojoties rodas siltums un augsta temperatūra. Pieskaršanās atklātām metālam var izraisīt smagus apdegumus.
 - Vienmēr turiet gaisa kompresoru atstatu no darba zonām.
- Trokšņa radītas traumas
 - Lietojiet dzirdes aizsargus.
- Gāze, kas tiek izpūsta no gaisa kompresora var saturēt neīrūmus, skaidas, gružus un sīkus priekšmetus, kas tiek pūsti ar lielu ātrumu. Tas var izraisīt priekšmetu iemešanu acīs vai iespējamus citus smagus ievainojumus.
 - Lietojot dažādus instrumentus, vienmēr valkājiet atbilstošus personīgos aizsardzības līdzekļus.

IERĪCES IEPAZĪŠANA

Skatīt 195. lpp.

1. Šļūtenes uztīšanas kronšteini
2. Ātrais savienojums
3. PCL augstas plūsmas iekšējais savienojums 1/4" BSP
4. Tvertnes spiediena rādītājs
5. Spiediena regulēšanas poga
6. Reglamentēts spiediena rādītājs
7. Pārvietošanas rokturis
8. Drošības vārsts
9. Ieslēgšanas/izslēgšanas slēdzis
10. Akumulators
11. Nolaišanas vārsts
12. Atiestatīšanas poga

IZSAIŅOŠANA

Rūpīgi pārbaudiet instrumentu, lai pārliecinātos, ka pārvadāšanas laikā tas nav salūzis vai bojāts.

Neizmetiet iepakojumu, līdz neesat rūpīgi pārbaudījis un izmēģinājis, vai instruments darbojas apmierinoši.

⚠ BRĪDINĀJUMS

Ja kāda no daļām ir bojāta vai trūkst, nelietojiet šo izstrādājumu, līdz šīs daļas ir nomainītas. Izmantojot izstrādājumu ar bojātām vai trūkstošām daļām var gūt smagus ievainojumus.

⚠ BRĪDINĀJUMS

Nemēģiniet modificēt šo instrumentu vai izveidot piederumus, kas nav paredzēti lietošanai ar šo rīku. Jebkādas šādas izmaiņas vai modifikācijas ir lietošanas noteikumu pārkāpums, kas var radīt nopietnu traumu risku.

⚠ BRĪDINĀJUMS

Lai izvairītos no nejaušas ieslēgšanās, kas var izraisīt smagus ievainojumus, vienmēr, veicot daļu salikšanu, noņemiet no produkta akumulatoru bloku.

EKSPLUATĀCIJA

SAGATAVOŠANA

Gaisa šļūtenes pievienošana/atvienošana

Skatīt 196. lpp.

PIEZĪME: Lietojot ar spiedienu virs 7 bāriem (102 psi), gaisa šļūtenēm ir jābūt aprīkotām ar drošības atsaiti, piemēram stiepli trosi.

1. Pārliecinieties, ka ieslēgšanas/izslēgšanas slēdzis ir stāvoklī IZSLĒGTS (O) un akumulatoru bloks ir atvienots.
2. Pavelciet spiediena regulatora pogu uz āru, lai veiktu regulēšanu. Grieziet spiediena regulatora pogu līdz galam pretī pulksteņrādītāja virzienam.
3. Pārliecinieties, ka spiediens izejā ir nulle bāri.
4. Pievienojiet gaisa šļūteni ar savienotāju 6,35 mm (1/4 in.) ātrajam savienotājam uz gaisa kompresora. Pārliecinieties, ka savienotājs ir līdz galam iespiests otrā savienotājā, līdz tā uzmvava atlec uz priekšu un fiksē savienotāju vietā.

Lai atvienotu gaisa šļūteni vai pneimatisko instrumentu:

1. Pavelciet spiediena regulatora pogu uz āru, lai veiktu regulēšanu. Grieziet spiediena regulatora pogu līdz galam pretī pulksteņrādītāja virzienam.
2. Pārliecinieties, ka spiediens izejā ir nulle bāri.
3. Atvelciet atvienotājuzmvavu uz 6,35 mm ātro sajūgu. Ar stingru satvērienu pavelciet šļūtenes savienojumu, kas pievienots ātrajam savienotājam.





Akumulatoru bloka pievienošana/atvienošana

1. Pārliecinieties, ka ieslēgšanas/izslēgšanas slēdzis ir stāvoklī IZSLĒGTS (O).
2. Ievietojiet akumulatoru bloku tā pieslēgvietā.
3. Pārliecinieties, vai aizturi katrā akumulatora pusē iekrīt vietā un vai pirms darbības sākuma akumulatoru komplekts ir nostiprināts produktā.
4. Lai izņemtu bateriju paku, piespiediet aizturus.
5. Pilnīgas lādēšanas norādes skatiet jūsu akumulatoru bloka un lādētāja lietošanas instrukcijās.

GAISA KOMPRESORA LIETOŠANA

⚠ BĪSTAMI

Neizjauciet tvertnes notecināšanas vārstus vai drošības vārstu, ja gaisa tvertnē ir gaiss. Nolaideiet tvertnes gaisa spiedienu. Nenolaižot gaisa tvertnes spiedienu, var izraisīt sprādzienu un smagus ievainojumus.

⚠ BRĪDINĀJUMS

Vienmēr lietojiet acu aizsargus ar sānu vairogiem. Ja tas netiek ievērots, jūsu acis var lidot objekti, tādējādi radot nopietnas traumas

⚠ BRĪDINĀJUMS

Nelietojiet nekādas papildierīces vai aksesuārus, ko nav rekomendējis šī produkta ražotājs. Ja tiek lietotas papildierīces vai piederumi, ko nav ieteicis ražotājs, tas var novest pie nopietnām traumām.

⚠ BRĪDINĀJUMS

Nepievienojiet darbarīkus šļūtenes vaļējam galam, kamēr nav pabeigta palaišana.

⚠ BRĪDINĀJUMS

Kad montējat kādas daļas, veicat regulēšanas darbus, veicat tīrīšanu vai nelietojat izstrādājumu, obligāti jāatvieno no izstrādājuma akumulators. Akumulatora atvienošana novērsīs nejaūšu iedarbināšanu, kas var izraisīt nopietnas traumas.

⚠ BRĪDINĀJUMS

Nelietojiet putekļainā vai citādi piesārņotā vidē. Izmantojot gaisa kompresoru šādā vidē, var izraisīt produkta bojājumus.

Gaisa spiediena regulēšana

Skatīt 197. lpp.

1. Pārliecinieties, ka ieslēgšanas/izslēgšanas slēdzis ir stāvoklī IZSLĒGTS (O) un akumulatoru bloks ir noņemts.
2. Pievienojiet akumulatoru bloku produktam.
3. Nospiediet ieslēgšanas/izslēgšanas slēdzi ieslēgtā stāvoklī (I).

4. Pavelciet spiediena regulatora pogu uz āru, lai veiktu regulēšanu.
5. Griežiet spiediena regulatora pogu līdz vēlamajam spiedienam. Pagriežot pogu pulksteņrādītāju kustības virzienā, tiek palielināts gaisa spiediens izejā. Pagriežot pretēji pulksteņrādītāju kustības virzienam, tiek samazināts gaisa spiediens izejā. Nospiediet spiediena regulatora pogu, lai atspējotu regulēšanu.
6. Ievērojot visas drošības norādes šajā rokasgrāmatā un ražotāja norādēm pneimatiskā instrumenta rokasgrāmatā, varat sākt izmantot pneimatisko instrumentu.

⚠ BRĪDINĀJUMS

Pneimatiskajiem instrumentiem var būt nepieciešams lielāks gaisa daudzums nekā šis gaisa kompresors spēj nodrošināt. Iepazīstieties ar instrumenta rokasgrāmatu, lai nepieļautu bojājumus un ievainojuma iespēju.

7. Kontrolējiet gaisa plūsmas apjomu ar spiediena regulatora pogu. Griežot pogu līdz galam pretī pulksteņrādītāja virzienam, gaisa plūsma tiks pilnīgi noslēgta.
PIEZĪME: Vienmēr izmantojiet minimālo nepieciešamo spiedienu. Lielāka spiediena lietošana nekā nepieciešams ātrāk iztukšos gaisa tvertni un tiks biežāk pārtraukt darbu.
8. Lai izslēgtu gaisa kompresoru, nospiediet ieslēgšanas slēdzi stāvoklī IZSLĒGTS (O).

PIEZĪME: Kad kompresors ir IESLĒGTS (I), gaisa kompresors automātiski ieslēgsies, kad darba tvertnes gaisa spiediens samazinās zem iestatītās spiediena robežas. Tas automātiski izslēgsies, kad tiks sasniegts vēlamais spiediens.

⚠ BRĪDINĀJUMS

Nekad nepārsniedziet pneimatiskā instrumenta nominālo spiedienu, ko ieteicis ražotājs. Izmantojot šo gaisa kompresoru kā ierīci piepūšanai, vienmēr ievērojiet maksimālās piepūšanas robežas, kuras noteicis piepūšamā priekšmeta ražotājs.

⚠ BRĪDINĀJUMS

Vienmēr pārliecinieties, ka ieslēgšanas/izslēgšanas slēdzis ir stāvoklī IZSLĒGTS (O) un regulatora spiediens rāda nulli, pirms veikt pneimatisko instrumentu nomaļu vai atvienot šļūteni no gaisa padeves. Norādītās procedūras neievērošana var izraisīt smagu personas ievainojumu.

9. Pabeidzot darbu, vienmēr noteciniet tvertni un noņemiet akumulatoru bloku. Nekad neatstāiet produktu ieslēgtu vai pievienotu akumulatoru blokam.

GAISA TVERTNES NOTECINĀŠANA

Skatīt 198. lpp.

Lai novērstu tvertnes koroziju un izvadītu mitrumu no gaisa tvertnes, kompresora gaisa tvertnes notecināšana jāveic katru dienu.





Lai notecinātu tvertni:

1. Pārliecinieties, ka ieslēgšanas/izslēgšanas slēdzis ir stāvoklī IZSLĒGTS (O).
2. Izņemiet akumulatoru bloku.
3. Paveiciet gredzenu uz spiediena nolaišanas vārsta, līdz spiediens tvertnē ir mazāks par 1,4 bāriem (20 PSI).
4. Atbrīvojiet gredzenu.
5. Pagrieziet vārsta sviru pretī pulksteņrādītāja virzienam, lai notecinātu kondensātu.
PIEZĪME: Kondensāts ir piesārņojoša viela, un tā jāiznīcina saskaņā ar vietējiem likumiem.
6. Pagrieziet vārsta sviru pulksteņrādītāja virzienā, lai aizvērtu vārstu.

ATIESTATĪŠANAS POGA

kad strāvas lielums gaisa kompresora motorā pārsniedz noteikto lielumu, gaisa kompresors automātiski izslēgsies.

Lai atiestatītu gaisa kompresoru:

1. Izņemiet akumulatoru bloku.
2. Izslēdziet instrumentu.
3. Nogaidiet trīs minūtes, lai motors atdzistu.
4. Piespiediet atiestates pogu.
5. Pievienojiet akumulatoru bloku produktam.
6. Ieslēdziet ierīci.

SAVIENOTĀJA NOMAĪŅA

Skatīt 199. lpp.

1. Pārliecinieties, ka ieslēgšanas/izslēgšanas slēdzis ir stāvoklī IZSLĒGTS (O).
2. Izņemiet akumulatoru bloku.
3. Paveiciet gredzenu uz spiediena nolaišanas vārsta, līdz spiediens tvertnē ir mazāks par 1,4 bāriem (20 PSI).
4. Atbrīvojiet gredzenu.
5. Izmantojot atslēgu, atlaidiet un noskrūvējiet savienotāju, griežot to pretī pulksteņrādītāja virzienam.
6. Izmantojot atslēgu, uzstādiat jaunu savienotāju un pievelciet to, griežot pulksteņrādītāja virzienā.

TRANSPORTĒŠANA UN UZGLABĀŠANA

Skatīt 200 - 201. lpp.

1. Pārliecinieties, ka ieslēgšanas/izslēgšanas slēdzis ir stāvoklī IZSLĒGTS (O).
2. Izņemiet akumulatoru bloku.
3. Darbiniet pneimatisko instrumentu, lai samazinātu spiedienu šļūtenē, tad atvienojiet gaisa šļūteni un pneimatisko instrumentu. Nolaidiet gaisa spiedienu, pavelkot spiediena nolaišanas vārstu.
4. Notecināt no tvertnes ūdeni, kā norādīts sadaļā "Gaisa tvertnes notecināšana".
5. Notīriet produktu ar sausu drānu.
6. Uztiņiet gaisa šļūteni uz tam paredzētajiem kronšteiniem.
7. Pārnēsājiet produktu aiz pārnēsāšanas roktura.
8. Glabājiet gaisa kompresoru tā normālā darba stāvoklī sausā un aizsargātā vietā.

⚠ BRĪDINĀJUMS

Lietošanas laikā kompresora gaisa tvertnē kondensējas ūdens. Ūdens, ja tas tiek atstāts tvertnē, var izraisīt tās stiprības samazināšanos un koroziju, palielinot tvertnes pārsprāgšanas risku.

⚠ BRĪDINĀJUMS

Vienmēr atvienojiet gaisa šļūteni no instrumentiem, kad tie netiek lietoti vai tiek veikta apkope. Apkopes laikā instruments, kas pievienots gaisa šļūtenei, var nejauši sākt darboties, radot smagus ievainojumus!

⚠ BRĪDINĀJUMS

Aizmirstot noņemt akumulatoru bloku no gaisa kompresora pirms tā novietošanas glabāšanai var izraisīt kompresora nepārtrauktu darbību, kompresora bojājumus un iespējamu aizdegšanos.

APKOPE

VISPĀRĒJĀ APKOPE

- Tīrot plastmasas daļas, izvairieties no šķīdinātāju lietošanas. Vairums plastmasu bojājas no pārdošanās pieejamo šķīdinātāju iedarbības. Izmantojiet tīru drānu, lai notīrītu netīrumus, putekļus, eļļu, ziežvielas utt.
- Nekādā gadījumā plastmasas daļām neļaujiet nonākt saskarē ar bremžu šķidrums, benzīnu, naftas izstrādājumiem, eļļām ar paaugstinātu mitrināšanas spēju utt. Ķīmikālijas var sabojāt, novājināt vai iznīcināt plastmasu, kas var izraisīt nopietnas personīgās traumas.
- Pirms veikt produkta tīrīšanu vai remontu, vienmēr nolaidiet spiedienu, noņemiet akumulatoru bloku un ļaujiet produktam atdzist, lai varētu tam pieskarties.
- Nepārveidojiet ierīci jebkādā veidā, kā arī nelietojiet piederumus, kas nav ražotāja apstiprināti. Jūsu un citu drošība var tikt apdraudēta.
- Neizmantojiet ierīci, ja slēdži, aizsargi vai citas funkcijas nestrādā kā paredzēts. Vēršieties pilnvarotā servisa centrā, lai saņemtu profesionālu remontu vai pielāgojumus.
- Vienmēr pārliecinieties, ka akumulatoru bloks ir noņemts no produkta pirms veikt regulēšanu, eļļošanu vai jebkādu produkta apkopi.
- Pirms un pēc katras lietošanas reizes, pārbaudiet vai ierīce un tās detaļas nav bojātas. Uzturiet ierīci vislabākajā tehniskajā stāvoklī, nekavējoties nomainot bojātās detaļas ar ražotāja ieteiktām rezerves daļām.

⚠ BRĪDINĀJUMS

Lielākas drošības un uzticamības labad visi remontī jāveic pilnvarotā apkopes centrā.

VIDES AIZSARDZĪBA



Tā vietā, lai izejmateriālus izmestu atkritumos, nododiet tos otrreizējai pārstrādei. Mašīna, aksesuāri un iepakojums ir jāsašķiro un jānodod videi draudzīgā atkārtotas pārstrādes vietā.



UZ PRECES ESOŠIE SIMBOLI



Drošības brīdinājums



Pirms iedarbināt mašīnu, lūdzu rūpīgi izlasiet instrukcijas.



CE atbilstība

EurAsian atbilstības marķējums



Ukrainas apstiprinājuma zīme



Lietojot ierīci, vienmēr valkājiet aizsargbrilles.



Lietojiet dzirdes aizsargus.



Lietošanai iekštelpās



Brīdinājums par mitriem apstākļiem. Sargājiet no lietus. Glabājiet telpās.



Ieelpošanas risks. Gaisu, kas iegūts tieši no kompresora, nekad nedrīkst izmantot kā gaisa padevi cilvēka lietošanai.



Risks saplīst. Neveiciet izplūdes gaisa spiediena regulatora iestatīšanu uz spiedienu, kas lielāks, nekā norādītais maksimālais spiediens uz pievienotā darbarīka. Neizmantot ar spiedienu, kas lielāks kā 10 bar.



Šis kompresors var ieslēgties bez brīdinājuma.



Uzliesmošanas vai sprādziena bīstamība. Izsmidzināšanas vietai jābūt labi vēdināmai. Nesmēķējiet, kamēr veicat izsmidzināšanu un neizsmidziniet dzirksteļu vai liesmu klātbūtnē. Turiet kompresoru tik tālu no izsmidzināšanas vietas, cik vien iespējams. Turiet kompresoru vismaz 10 m attālumā no izsmidzināšanas vietas un visa veida eksplozīviem tvaikiem.



Noregulētais spiediens



Spiediens tvertnē



Izlietotie elektroprodukti nedrīkst tikt izmesti kopā ar mājsaimniecības atkritumiem. Lūdzu, nododiet tos attiecīgajās atk ār totas izmantošanas vietās. Sazinieties ar savu vietējo varas pārstāvi vai izplatītāju, lai noskaidrotu, kur iespējama atkārtota pārstrāde.

SIMBOLI ROKASGRĀMATĀ



Atsevišķi nopērkamās daļas vai piederumi



Piezīme



Brīdinājums

Lai izskaidrotu risku, kas saistīti ar izstrādājumu, līmeni, paredzēti šādi norādījuma vārdi un jēdzieni.

⚠ BĪSTAMI

Norāda uz nenovēršami bīstamu situāciju, kas, ja netiks novērsta, izraisīs nāvi vai nopietnus miesas bojājumus.

⚠ BRĪDINĀJUMS

Norāda uz potenciāli bīstamu situāciju, kas, ja netiks novērsta, var izraisīt nāvi vai nopietnus miesas bojājumus.

⚠ UZMANĪBU

Norāda uz potenciāli bīstamu situāciju, kas, ja netiek novērsta, var izraisīt vieglus vai vidējus miesas bojājumus.

UZMANĪBU

(Bez drošības trauksmes simbola), kas norāda, uz situāciju, kas var novest pie īpašuma bojājuma.



Projektuojant šį oro kompresorių pirmenybė buvo teikiama saugai, eksploatacinėms charakteristikoms ir funkciniam patikimumui.

NAUDOJIMO PASKIRTIS

Oro kompresorius skirtas tik suslėgtajam orui tiekti. Jo negalima naudoti jokioms kitoms dujoms suslėgti.

Įrenginys skirtas oru varomiems įrankiams eksploatuoti ir aukšto slėgio gaminiamis, pavyzdžiui, automobilių ir dviračių padangoms pripūsti.

Šis gaminys skirtas naudoti suaugusiems asmenims, perskaičiusiems ir supratusiems šiame vadove pateiktas instrukcijas ir įspėjimus bei atsakingiems už savo veiksmus.

Įrenginį galima naudoti tik patalpose.

Gaminį galima naudoti tik pagal paskirtį. Naudokite elektrinį įrankį tik pagal tiesioginę paskirtį, kitaip sukelsite pavojingą situaciją.

BENDRIEJI SAUGOS ĮSPĖJIMAI

⚠ ĮSPĖJIMAS

Perskaitykite visus saugos įspėjimus ir visą instrukciją. Įspėjimų ir instrukcijų nesilaikymas gali sukelti elektros smūgį, gaisrą ir (ar) sunkius sužeidimus.

Kad tinkamai naudotumėte įrankį, žr. visus perspėjimus ir nurodymus.

⚠ ĮSPĖJIMAS

Naudojant elektrinius įrankius būtina atsižvelgti į elementarias saugumo priemones, kad sumažintumėte gaisro, elektros smūgio ar sužeidimų riziką. Prieš naudodami šį įrankį, perskaitykite visas instrukcijas bei jas išsaugokite.

DARBO ZONOS SAUGUMAS

- Darbo vieta turi būti švari. Netvarkinga aplinka ar darbo vieta skatina nelaimingus atsitikimus. Įrankiui veikiant, ant jo nepalikite medienos atraižių ar kitų įrankių.
- Nenaudokite šio įrenginio pavojingoje aplinkoje. Nenaudokite elektrinių įrankių drėgnose arba šlapiose vietose, saugokite įrankį nuo lietaus poveikio. Darbo vieta turi būti gerai apšviesta.
- Vaikai ir žiūrovai turi būti kuo toliau nuo darbo zonos. Visi žiūrovai privalo naudoti apsauginius akinius ir atitraukti saugiu atstumu nuo darbo vietos. Neleiskite pašaliniam asmeniui liesti šio įrenginio, kai jis veikia.
- Niekada nedirbkite aplinkoje, kurioje gresia sprogimo pavojus. Įprastinis variklio kibirkščiavimas gali uždegti degius garus.

ELEKTROS SAUGA

- Jei kuri nors įrenginio elektrinė dalis tinkamai neveiktų, išjunkite įjungimo jungiklį, išimkite iš įrenginio akumuliatorių ir pakeiskite sugedusią dalį, o paskui galėsite tęsti darbą.

- Saugokite elektrinius įrankius nuo lietaus ar drėgmės. Dėl vandens, patekusio į elektrinį įrankį, padidėja elektros smūgio pavojus.

ASMENINĖ SAUGA

- Būkite budrus ir kontroliuokite situaciją. Stebėkite, ką darote ir vadovaukitės sveika nuovoka. Nedirbkite įrankiu, kai esate pavargę. Neskubėkite.
- Dėvėkite tik darbui tinkamus drabužius. Nedėvėkite laisvų nepriglundusių drabužių, kaklaraiščių ir juvelyrinių dirbinių, kurie gali įsipainioti ir įtraukti jus į judančias detales. Dirbant lauke rekomenduojama mūvėti gumines pirštines ir avėti batus neslystančiais padais. Jei turite ilgus plaukus, dėvėkite apsauginį galvos apdangalą.
- Visada dėvėkite apsauginius akinius su šonine apsauga. Kasdieniniuose akiniuose yra tik smūgiui atsparūs lęšiai, šie akiniai NĖRA apsauginiai akiniai.
- Saugokite plaučius. Dėvėkite kaukę nuo dulkių, jei tektų dirbti ten, kur išsiskiria dulkės.
- Saugokite klausą. Dirbdami ilgesnį laiką, dėvėkite klausos apsaugos priemones.
- Nesiekite per toli. Visada tvirtai stovėkite ir išlaikykite pusiausvyrą.
- Pašalinkite iš įrankio reguliavimo raktus ir veržliarakčius. Įpraskite prieš įjungdami įrankį patikrinti, ar iš jo pašalinti raktai ir veržliarakčiai.

ORO KOMPRESORIAUS NAUDOJIMAS IR PRIEŽIŪRA

- Neviršykite nei vieno sistemos komponento nominalaus slėgio.
- Saugokite prietaiso sistemas ir oro sistemas nuo žalos ar prakiūrimo. Saugokite žarną nuo aštrių daiktų, išsiliejusių chemikalų, tirpiklių ir šlapių grindų.
- Prieš kiekvieną naudojimą patikrinkite, ar žarnos yra tvirtos ir nenusidėvėjusios; taip pat patikrinkite, ar jos gerai pritvirtintos sujungimų vietose. Prietaiso nenaudokite, pastebėję jo gedimą. Įsigykite naują žarną arba kreipkitės į įgaliotą techninės priežiūros centrą dėl jos patikrinimo ar remonto.
- Iš lėto išleiskite visą slėgį iš visos sistemos. Dulkės ir atliekos gali būti žalingi.
- Oro kompresorius laikykite vaikams ir kitiems ne kvalifikuotiems asmenims nepasiekiamoje ir nematomoje vietoje. Nekvalifikuotų naudotojų naudojami oro kompresoriai kelia pavojų.
- Tinkamai techniškai prižiūrėkite oro kompresorius. Laikytės techninės priežiūros nurodymų. Nuosavus prižiūrimus įrankius yra lengviau valdyti.
- Patikrinkite judančių detalių nesutapimus, sukibimą, ar sumontuotos detalės nesulūžusios bei kitą būklę, kuri gali turėti neigiamos įtakos įrankio veikimui. Jei įrankis sugedęs, prieš naudojimą jį reikia suremontuoti. Nemažai nelaimingų atsitikimų įvyksta dėl netinkamai prižiūrimų prietaisų.
- Įrenginio išorė privalo būti sausa, švari, nealyvuota ir netepaluota. Prietaisą visada valykite švaria šluoste. Prietaiso niekada nevalykite stabdžių skysčiu, benzinu, naftos produktais ar kitais stipriais tirpikliais. Laikantis šio nurodymo, sumažinamas karkaso plastiko apgadinimo pavojus.





TECHNINĖ PRIEŽIŪRA

- Sugedusias detales keiskite tik originaliomis atsarginėmis detalėmis. Kitų detalių naudojimas gali sukelti pavojų ar sugadinti įrankį.

Išsaugokite šias instrukcijas. Dažnai perskaitykite instrukciją, panaudokite instrukciją kitiems operatoriams apmokyti. Jeigu kam nors paskolinate šį įrankį, tai kartu perduokite ir vartotojo instrukciją.

ORO KOMPRESORIAUS NAUDOJIMO SAUGOS TAISYKLĖS

- Gerai išmanykite apie gaminį. Atidžiai perskaitykite vartotojo vadovą. Susipažinkite su pritaikymo sąlygomis ir apribojimais, o taip pat ir su prietaisu susijusiais galimais pavojais. Laikantis šių nurodymų, sumažinamas elektros smūgio, gaisro ar sunkių sužeidimų pavojus.
- Kasdien išpilkite kondensatą iš oro talpyklos. Jei įrenginys kurį laiką bus nenaudojamas, geriausiai palikti išleidimo sklendę atidaryta iki kito naudojimo. Tuomet bus išleistas visas kondensatas ir oro talpykla bus apsaugota nuo korozijos.
- Gaisro arba sprogo pavojus. Nepurškite degių skysčių uždaroje patalpoje. Purškimo vieta turi būti gerai vėdinama. Nerūkykite purkšdami dažus ir nepurškite tuomet, kai matomos kibirkštys ar liepsna. Laikykite įrenginį bent 10 m (33 pėdų) atstumu nuo purškimo vietos ir visų degių garų.
- Sprogimų pavojus. Nekeiskite reguliatoriaus nuostatos, norėdami padidinti slėgį, kad jis viršytų pažymėtą maksimalų prijungto priedo slėgį. Nenaudokite aukštesnio nei 8,3 barų slėgio.
- Norėdami išvengti elektros smūgio pavojaus, saugokite įrenginį nuo lietaus. Įrenginį laikykite patalpoje.
- Patikrinkite oro talpyklą, ar ji nesurūdijusi, ar joje nėra pradurtų skylių ar kitų pažeidimų, dėl kurių ją galėtų būti nesaugu naudoti.
- Oro rezervuaro niekada nevirinkite ir negręžkite jame skylių.
- Patikrinkite, ar žarna yra laisva be kliūčių ir neužsikabinusi. Dėl sunarpliotų ir netvarkingų žarnų galite prarasti pusiausvyrą, pargriūti bei žarnos gali būti sugadintos.
- Įrenginį naudokite tik pagal numatytąją paskirtį. Prietaiso nekeiskite – jo originalus dizainas ir funkcijos turi išlikti tokie patys.
- Visada prisiminkite, kad naudojimas ne pagal paskirtį ar netinkamas šio prietaiso naudojimas gali sužeisti jus bei kitus asmenis.
- Niekada nepalikite įrenginio be priežiūros, kai oro žarna yra prijungta prie įrankio.
- Niekada nenukreipkite pneumatinio įrankio savęs ar kitų link.
- Šio prietaiso nenaudokite, jei ant jo nėra įskaitomos įspėjamosios etiketės.
- Nebesinaudokite įrenginiu arba žarna, kurie praleidžia orą arba veikia netinkamai.

- Visada atjunkite oro tiekimą ir išimkite akumuliatorių, prieš vykdydami reguliavimo ar techninės priežiūros darbus, taip pat tada, kai įrenginiu nesinaudojate.
- Gaminio netraukite ir neneškite, laikydami už žarnos.
- Jūsų įrankiui gali reikėti didesnio oro srauto, nei įrenginys sugeba tiekti.
- Visada vadovaukitės pneumatinio įrankio gamintojo rekomenduojamomis saugos taisyklėmis, taip pat visomis oro kompresoriaus naudojimo saugos taisyklėmis. Laikantis šio nurodymo, sumažinamas sunkių sužeidimų pavojus.
- Niekada nenukreipkite suslėgto oro srovės į žmones ar gyvūnus. Būkite atsargūs ir nepūsokite dulkių bei purvo į save bei kitus asmenis. Laikantis šio nurodymo, sumažinamas sunkių sužeidimų pavojus.
- Nenaudokite įrenginio chemikalams purkšti. Įkvėpę toksinių garų galite pakenkti savo plaučiams. Dirbant aplinkoje, kurioje yra dulkių ar purškiant dažus, gali reikėti naudoti respiratorių. Atlikdami dažymo darbus prietaiso neneškite.
- Reguliariai patikrinkite įrankio laidus ir žarnas, jei jie apgadinti, juos remontuoti pristatykite įgalioją techninės priežiūros centrą. Visuomet žinokite, kokioje vietoje yra laidas. Laikantis šių nurodymų, sumažinamas elektros smūgio ar gaisro pavojus.
- Patikrinkite judančių detalių nesutapimus, sukibimą, ar sumontuotos detalės nesulūžusios bei kita būklė, kuri gali turėti neigiamos įtakos įrankio veikimui. Jei įrankis sugedęs, prieš naudojimą jį reikia suremontuoti. Nemažai nelaimingų atsitikimų įvyksta dėl netinkamai prižiūrimų prietaisų.
- Kai fiksuotus apsauginius gaubtus reikia nuimti norint atlikti reguliarią techninę priežiūrą arba remontą, nuėmus apsauginius gaubtus, jų fiksavimo sistemos privalo likti pritvirtintos prie apsauginio gaubto arba įrenginio.
- Niekada nesandėliuokite įrankio su prijungta oro tiekimo žarna. Sandėliuojant įrankį su prijungta oro tiekimo žarna, įrenginys gali netikėtai pradėti veikti, užsidegti arba pajudėti iš vietos ir sunkiai sužaloti.
- Saugokite plaučius. Dėvėkite kaukę nuo dulkių, jei tektų dirbti ten, kur išsiskiria dulkės. Laikantis šio nurodymo, sumažinamas sunkių sužeidimų pavojus.
- Išsaugokite šias instrukcijas. Dažnai perskaitykite instrukciją, panaudokite ją kitiems, su gaminiu dirbantiems asmenims apmokyti. Jeigu kam nors paskolinate šį įrankį, tai kartu perduokite ir vartotojo instrukciją.
- Prietaisą naudokite prie valdymo skydo.
- Kai prietaisas veikia, didžioji dalis prietaiso detalių sukelia aukštą temperatūrą. Naudokite būtinas asmeninės apsaugos priemones, pvz., pirštines, kad išvengtumėte sužeidimų nuo aukštos temperatūros.
- Asmenims (įskaitant vaikus), nesugebantiems saugiai naudotis šiuo įrenginiu dėl savo psichinės, jutiminės arba protinės negalios arba patirties bei žinių trūkumo, šiuo įrenginiu naudotis neleidžiama. Mažus vaikus visada privaloma prižiūrėti, kad jie nežaistų šalia gaminio arba su juo.

EN
FR
DE
ES
IL
NL
PT
DA
SV
FI
NO
RU
PL
CS
HU
RO
LV
LT
ET
HR
SL
SK
BG
UK
TR
EL



BATERIJOS IR ĮKROVIKLIO SAUGOS PERSPĖJIMAI

⚠️ ĮSPĖJIMAS

Siekdami išvengti trumpojo jungimo sukeliama gaisro pavojaus, sužalojimų arba produkto pažeidimų, neikiškite įrankio, keičiamo akumulatoriaus arba įkroviklio į skysčius ir pasirūpinkite, kad į prietaisus arba akumulatorius nepatektų jokių skysčių. Koroziją sukeliantys arba laidūs skysčiai, pvz., sūrus vanduo, tam tikri chemikalai ir balikliai arba produktai, kurių sudėtyje yra baliklių, gali sukelti trumpąjį jungimą.

- **Akumuliatorių įkraukite tik naudodami gamintojo nurodytą kroviklį.** Vienam baterijų tipui pritaikytą įkroviklį naudojant kito tipo baterijoms įkrauti gali kilti gaisras.
- **Elektrinius įrankius naudokite tik su specialiai jiems skirtais akumulatoriais.** Naudojant kitokius akumuliatorių blokus kyla sužalojimų ir gaisro pavojus.
- **Kai baterijų paketas nenaudojamas, laikykite jį atokiai nuo kitų metalinių daiktų, tokių kaip sąvaržėlės, monetos, raktai, vynas, varžtai ar kiti smulkūs metaliniai daiktai, kurie gali sujungti gnybtus.** Sulietę akumulatoriaus gnybtus galite nusideginti arba sukelti gaisrą.
- **Esant netinkamoms sąlygomis iš akumuliatorių gali išsivėsti skystis – venkite sąlyčio su juo.** Įvykus netyčiniam sąlyčiui, nuplaukite vandeniu. Jei skystis pateko į akis, kreipkitės medicininės pagalbos. Iš akumuliatorių išsivėjęs skystis gali dirginti arba deginti.
- **Baterinių įrankių prie maitinimo šaltinio prijungti nereikia, todėl jie visuomet paruošti naudoti.** Kai baterinio produkto nenaudojate ar keičiate jo priedus, nepamirškite apie galimą pavojų. Laikantis šių nurodymų, sumažinamas elektros smūgio, gaisro ar sunkių sužeidimų pavojus.
- **Baterinių įrankių ar jų baterijų nelaikykite prie ugnies ar karščio.** Taip sumažinsite sprogo ir sužeidimų pavojų.
- **Niekada nebandykite baterijos paketo suspausti, numesti ar pažeisti.** Numesto ar aštriu daiktu pažeisto baterijos paketo ar kroviklio nenaudokite. Pažeista baterija gali sprogti. Nedelsdami numestą ar pažeistą bateriją tinkamai pašalinkite.
- **Baterijos gali sprogti esant uždegimo šaltiniui, pvz. kontrolinei lemputei.** Siekiant sumažinti rimtų sužeidimų pavojų, esant atvirai liepsnai niekada nenaudokite jokių bevielių prietaisų. Sprogusi baterija gali išmesti į orą atliekas ir chemikalus. Jiems patekus ant kūno, nedelsdami jį plaukite vandeniu.
- **Produkto nekraukite drėgnose ar šlapiose vietose.** Laikantis šių nurodymų, sumažinamas elektros smūgio pavojus.
- **Siekiant geriausių rezultatų, akumuliatorių reikia įkrauti vietoje, kurioje temperatūra aukštesnė nei 10 °C, bet žemesnė nei 38 °C.** Kad išvengtumėte sunkių sužeidimų pavojaus, nelaikykite prietaiso lauke arba transporto priemonėje.

- **Naudojant prietaisą ekstremaliomis sąlygomis ar netinkamoje temperatūroje, baterija gali pradėti tekėti.** Ant odos patekus skystiui, jį reikia nedelsiant nuplauti muilu ir vandeniu. Skystiui patekus į akis, jas plaukite švariu vandeniu bent 10 minučių ir nedelsiant kreipkitės į gydytojus pagalbos. Laikantis šio nurodymo, sumažinamas sunkių sužeidimų pavojus.
- **Nenaudokite sugadinto arba pakeistos konstrukcijos akumulatoriaus.** Sugadintas arba pakeistas akumulatorius gali veikti neprognozuojamai ir dėl to gali kilti gaisras, sprogo ar pavojus susižaloti.
- **Nekeiskite sugadinto akumulatoriaus konstrukcijos ir nebandykite jo remontuoti.**
- **Saugokite akumuliatorių nuo ugnies ir pernelyg aukštos temperatūros.** Patekus į ugnį arba veikiant aukštesnei nei 130°C temperatūrai gali kilti sprogo.
- **Laikykitės visų įkrovimo nurodymų ir neįkraukite akumulatoriaus ar prietaiso, jei temperatūra yra už instrukcijoje nurodytų ribų.** Netinkamai įkraunant arba, jei temperatūra yra už nurodytų ribų, gali sugesti akumulatorius ir padidėti gaisro pavojus.

LIČIO BATERIJŲ GABENIMAS

Gabenkite bateriją pagal įmonės ir valstybinius reikalavimus ir taisykles.

Gabendama baterijas, trečioji šalis privalo vadovautis ant pakuotės ar etikečių nurodytais specialiaisiais reikalavimais. Pasirūpinkite, kad gabenant baterijos nesusiliestų su kitomis baterijomis ar laidžiomis medžiagomis: ant jungiamųjų elementų uždėkite izoliuojančius, nelaidžius apsauginius dangtelius arba šiuos elementus apvyniokite juosta. Negabenkite įtrūkusių ar pratekančių baterijų. Išsamesnio patarimo kreipkitės į gabenanto įmonę.

AKUMULATORIAI

Ilgai nenaudotus akumulatorius prieš naudojimą privaloma įkrauti.

Esant aukštesnei nei 50 °C (122 °F) temperatūrai, akumulatoriaus veiksmingumas sumažėja. Saugokite nuo ilgalaikio karščio arba saulėkaitos poveikio (gali kilti perkaitimo pavojus).

Įkroviklių ir akumuliatorių kontaktai privalo būti švarūs.

Norint, kad akumulatorius tarnautų optimaliai ilgai, po kiekvieno panaudojimo jį būtina visiškai įkrauti.

Norint, kad akumulatorius kuo ilgiau tarnautų, atjunkite jį nuo kroviklio, kai tik jis bus visiškai įkrautas.

Jei akumulatorius bus sandėliuojamas ilgiau nei 30 dienų:

- Laikykite akumuliatorių sausoje vietoje, kurioje temperatūra yra žemesnė nei 27°C.
- Akumulatorius sandėliuokite įkrautus 30–50 %.
- Kas šešis sandėliavimo mėnesius įkraukite akumuliatorių, kaip įprastai.

AKUMULATORIAUS APSAUGA

Akumulatorius turi apsaugą nuo perkrovos, kuri apsaugo jį nuo perkrovimo ir padeda pailginti jo eksploataavimo laiką. Esant ekstremalioms sąlygoms, akumulatoriaus elektronika automatiškai išjungia įrenginį. Norėdami vėl paleisti įrenginį, jį išjunkite ir vėl įjunkite. Jei įrenginys nepasileidžia, galbūt visiškai išsikrovė akumulatorius. Tokiu atveju jį privaloma įkrauti akumuliatorių įkrovikliu.

ŠALUTINIS PAVOJUS

Net naudojant gaminį griežtai pagal paskirtį neįmanoma visiškai atmesti kai kurių liktinių rizikos veiksnių. Naudojant gali kilti toliau nurodyti pavojai ir naudotojas turi būti ypatingai atsargus, kad išvengtų šių pavojų:

- Įrenginį naudokite tik pagal numatytąją paskirtį. Prietaiso nekeiskite – jo originalus dizainas ir funkcijos turi išlikti tokie patys.
- Visada prisiminkite, kad naudojimas ne pagal paskirtį ar netinkamas šio prietaiso naudojimas gali sužeisti jus bei kitus asmenis.
- Niekada nepalikite įrenginio be priežiūros, kai žarna yra prijungta prie įrankio.
- Nebesinaudokite įrenginiu arba žarna, kurie praleidžia orą arba veikia netinkamai.
- Sprogimų pavojus
 - Nekeiskite regulatoriaus nuostatos, norėdami padidinti slėgį, kad jis viršytų pažymėtą maksimalų prijungto priedo slėgį.
- Varikliui ir velenui veikiant, generuojama šiluma ir aukšta temperatūra. Prisilietus prie neapsaugoto metalo, galima smarkiai apsigėdinti.
 - Oro kompresorių visada privaloma laikyti atokiai nuo darbo zonų.
- Triukšmo sukeliama trauma
 - Dėvėkite klausos apsaugos priemones.
- Oro kompresoriaus tiekiamose dujose gali būti didelių greičiu lekiančių nešvarumų, nuolaužų, atsilaisvinsiuų dalelių ir nedidelių objektų. Dėl to į akis gali patekti svetimkūnių arba galima patirti kitų sunkių sužalojimų.
 - Naudodami įvairius įrankius, visada dėvėkite tinkamas asmenines apsaugines priemones.

GERAI IŠMANYKITE APIE GAMINĮ

Žiūrėti 195 psl.

1. Žarnos suvyniojimo laikikliai
2. Greitojo atjungimo mova
3. PCL greitoji apgaubiamoji pneumatinė jungtis, 1/4 col. BSP
4. Rezervuaro slėgio matuoklis
5. Slėgio regulatoriaus rankenėlė
6. Slėgio reguliavimo matuoklis
7. Nešimo rankena
8. Apsauginis vožtuvas
9. Įjungimo / išjungimo mygtukas
10. Baterijos paketas
11. Išleiskite vožtuvą
12. Atitaisymo mygtukas

IŠPAKAVIMAS

Atidžiai apžiūrėkite įrenginį ir įsitinkinkite, kad transportuojant jam nebuvo padaryta jokios žalos.

Pakavimo medžiagas išmeskite tik atidžiai patikrinę įrenginį ir įsitikinę, kad jis veikia tinkamai.

⚠ IŠPĖJIMAS

Jei bet kokios dalys yra sugadintos arba jų nėra, nenaudokite įrenginio, kol jų nepakeisite. Naudojant šį įrenginį, jei jo dalys sugadintos arba jų nėra, kyla pavojus sunkiai susižeisti.

⚠ IŠPĖJIMAS

Nerekomenduojama keisti šio įrankio ar jam pritaikyti papildomų detalių, kurios su šiuo įrankiu naudoti nerekomenduojamos. Bandymas jas keisti ar modifikuoti laikoma netinkamu naudojimu, galinčiu sukelti pavojingą situaciją ir jus sunkiai sužeisti.

⚠ IŠPĖJIMAS

Visada išimkite akumuliatorių iš įrenginio, kai montuojate jo dalis, kad jis nebūtų netyčia įjungtas ir jūs nebūtumėte sunkiai sužaloti.

VEIKIMAS

PARUOŠIMAS

Oro žarnos prijungimas / atjungimas

Žiūrėti 196 psl.

PASTABA: Darbu naudojant aukštesnį nei 7 barų (102 psi) slėgį, tiekimo žarnas privaloma prijungti naudojant apsauginį laidą, pvz., vielinį trosą.

1. Įsitinkinkite, kad įjungimo / išjungimo jungiklis yra IŠJUNGIMO (O) padėtyje, o akumulatorius – atjungtas.
2. Patraukite slėgio reguliavimo rankenėlę išorėn, kad galėtumėte sureguliuoti slėgį. Pasukite slėgio reguliavimo rankenėlę iki gal prieš laikrodžio rodyklę.
3. Patikrinkite, ar išeinamasis slėgis yra lygus nuliui barų.
4. Prijunkite oro žarną su jungtimi prie oro kompresoriaus 6,35 mm (1/4 col.) greitojo prijungimo movos. Jungtį būtinai iki galo įkiškite į movą, kol movos įvorė iššoks ir jungtis bus tinkamai užfiksuota.

Kaip atjungti oro žarną nuo pneumatinio įrankio:

1. Patraukite slėgio reguliavimo rankenėlę išorėn, kad galėtumėte sureguliuoti slėgį. Pasukite slėgio reguliavimo rankenėlę iki gal prieš laikrodžio rodyklę.
2. Patikrinkite, ar išeinamasis slėgis yra lygus nuliui barų.
3. Traukite atgal atleidimo movą, esančią ant 6,35 mm greito sujungimo jungties. Tvirtai suėmę ištraukite žarnos jungtį, prijungtą prie greitojo prijungimo movos.

Akumulatoriaus prijungimas / išėmimas

1. Įsitinkinkite, kad įjungimo / išjungimo jungiklis yra IŠJUNGIMO (O) padėtyje.
2. Įkiškite akumuliatorių į akumulatoriaus lizdą.



- Prieš pradėdami darbą, patikrinkite, ar fiksatoriai kiekvienoje baterijos pusėje užsifiksavo ir ar baterija gerai įdėta.
- Paspauskite skląsčius, kad išimtumėte baterijų paketą.
- Išsamius nurodymus, kaip įkrauti akumuliatorių, rasite akumulatoriaus ir įrankio naudojimo instrukcijose.

KAIP NAUDOTI ORO KOMPRESORIŲ

⚠ PAVOJUS

Neardykite talpyklos išleidimo sklendžių arba apsauginio vožtuvo, kai oro talpykloje yra oro. Išleiskite orą iš oro talpyklos. Jei nepašalinsite slėgio iš oro talpyklos, gali įvykti sproginimas ir (arba) sunkus sužalojimas.

⚠ ĮSPĖJIMAS

Visada dėvėkite apsauginius akinius su šonine apsauga. Neužsidėjus, į jūsų akis gali patekti nuolaužų, kurios gali rimtai sužaloti.

⚠ ĮSPĖJIMAS

Nenaudokite jokių papildomų įtaisų ar priedų, kurių nerekomenduoja šio prietaiso gamintojas. Naudojant nerekomenduojamus papildomus įtaisus ar priedus, galima rimtai susižaloti.

⚠ ĮSPĖJIMAS

Prie atviro žarnos galo netvirtinkite jokių prietaisų tol, kol užvedimas nėra baigtas.

⚠ ĮSPĖJIMAS

Visada ištraukite bateriją iš prietaiso, kai surenkate detales, reguliuojate, valote prietaisą arba jo nenaudojate. Ištraukus bateriją, įrankis negalės atsitiktinai įsijungti, nes tai galėtų jus sunkiai sužaloti.

⚠ ĮSPĖJIMAS

Prietaiso nenaudokite aplinkoje, kurioje yra dulkių ar jei ji kitokiu būdu užteršta. Naudojant oro kompresorių tokioje aplinkoje, įrenginys gali būti sugadintas.

Oro slėgio reguliavimas

Žiūrėti 197 psl.

- Įsitinkinkite, kad įjungimo / išjungimo jungiklis yra IŠJUNGIMO (O) padėtyje, o akumuliatorius – išimtas.
- Prijunkite akumuliatorių prie įrenginio.
- Paspauskite įjungimo / išjungimo jungiklį į IJUNGIMO (I) padėtį.
- Patraukite slėgio reguliavimo rankenėlę išorėn, kad galėtumėte sureguliuoti slėgį.
- Sukdami slėgio reguliavimo rankenėlę, nustatykite norimą slėgį. Rankenėlę sukant pagal laikrodžio rodyklę, išeinamojoje dalyje slėgis padidinamas. Sukant prieš laikrodžio rodyklę išeinamojoje dalyje oro slėgis sumažinamas. Paspauskite slėgio reguliavimo

rankenėlę, kad slėgio negalima būtų pakeisti.

- Vadovaukitės visomis šiame žinyne ir gamintojo pneumatinio įrankio naudojimo instrukcijoje pateiktomis saugos taisyklėmis

⚠ ĮSPĖJIMAS

Pneumatiniams įrankiams gali prireikti sunaudoti daugiau oro, nei šis oro kompresorius gali tiekti. Perskaitykite įrankio instrukcijos nurodymus, kad įrankio nesugadintumėte bei nesusižeistumėte.

- Oro tėkmės kiekį nustatykite slėgio reguliavimo rankenėle. Pasukus rankenėlę iki galo prieš laikrodžio rodyklę, oro srautas bus visiškai sustabdytas.

PASTABA: Visada naudokite mažiausią būtiną slėgį atliekamam darbiui atlikti. Naudojant didesnį slėgį nei būtina iš rezervuaro suslėgtas oras išnaudojamas greičiau, todėl prietaisas dažniau atlieka ciklinį procesą.

- Jei oro kompresorių norite išjungti, paspauskite įjungimo jungiklį į IŠJUNGIMO (O) padėtį.

PASTABA: Kai kompresoriaus jungiklis yra IJUNGIMO (I) padėtyje, oro kompresorius automatiškai įsijungia, kai nustatytas talpyklos oro slėgis nukrenta žemiau iš anksto nustatytos slėgio ribos. Jis vėl išsijungs, kai bus pasiektas norimas slėgis.

⚠ ĮSPĖJIMAS

Niekada neviršykite gamintojo rekomenduojamos pneumatinio įrankio slėgio ribos. Kai naudojate šį oro kompresorių kaip pripūtimo įrenginį, visada vadovaukitės pripūčiamo daikto gamintojo pateiktomis maksimalaus pripūtimo rekomendacijomis.

⚠ ĮSPĖJIMAS

Prieš pakeisdami pneumatinius įrankius arba atjungdami žarną nuo oro išleidimo angos, visada įsitinkinkite, kad įjungimo / išjungimo jungiklis yra IŠJUNGIMO (O) padėtyje, o reguliatoriaus slėgio matuoklis rodo nulį. Priešingu atveju, galite sunkiai susižeisti.

- Pabaigę, visada ištuštinkite talpyklą ir išimkite akumuliatorių. Niekada nepalikite įrenginio veikiančio arba prijungto prie akumulatoriaus.

KAIP IŠTUŠTINTI ORO TALPYKLĄ

Žiūrėti 198 psl.

Norint, kad talpykla nesurūdytų, oro talpykloje neturi būti drėgmės – kompresoriaus oro talpyklą reikia ištuštinti kasdien.

Kaip ištuštinti oro talpyklą:

- Įsitinkinkite, kad įjungimo / išjungimo jungiklis yra IŠJUNGIMO (O) padėtyje.
- Išimkite akumuliatorių.
- Sukite slėgio vožtuvo žiedą, kol talpyklos slėgio matuoklis rodyms mažiau nei 1,4 baro (20 PSI).
- Atleiskite žiedą.
- Pasukite išleidimo sklendės svirtelę prieš laikrodžio rodyklę, kad išleistumėte kondensatą.





PASTABA: Kondensatas yra teršiamoji medžiaga, todėl jį utilizuoti reikia pagal vietos nurodymus.

6. Pasukite išleidimo sklendės svirtelę pagal laikrodžio rodyklę, kad uždarytumėte išleidimo sklendę.

AITAISYMO MYGTUKAS

Jei oro kompresoriaus varikliui tiekiami el. srovė viršys nurodytą vertę, oro kompresorius automatiškai išsijungs.

Kaip vėl įjungti oro kompresorių:

1. Išimkite akumuliatorių.
2. Išjunkite įrankį.
3. Palaukite tris minutes, kol variklis atvės.
4. Nuspauskite atstatymo mygtuką.
5. Prijunkite akumuliatorių prie įrenginio.
6. Įjunkite gaminį.

KAIP PAKEISTI SUJUNGIMO MOVĄ

Žiūrėti 199 psl.

1. Įsitikinkite, kad įjungimo / išjungimo jungiklis yra IŠJUNGIMO (O) padėtyje.
2. Išimkite akumuliatorių.
3. Sukite slėgio vožtuvo žiedą, kol talpyklos slėgio matuoklis rodyt mažiau nei 1,4 baro (20 PSI).
4. Atleiskite žiedą.
5. Veržliarakčiu (sukdami prieš laikrodžio rodyklę) atsukite sujungimo movą ir nuimkite ją.
6. Veržliarakčiu (sukdami pagal laikrodžio rodyklę) užsukite naują movą ir užveržkite ją.

GABENIMAS IR LAIKYMAS

Žiūrėti 200 - 201 psl.

1. Įsitikinkite, kad įjungimo / išjungimo jungiklis yra IŠJUNGIMO (O) padėtyje.
2. Išimkite akumuliatorių.
3. Paleiskite pneumatinį įrankį, kad iš žarnos būtų pašalintas oro slėgis, tada atjunkite oro žarną ir pneumatinį įrankį. Išleiskite orą, patraukdami slėgio mažinimo vožtuvą.
4. Išleiskite vandenį iš talpyklos, kaip nurodyta skyriuje „Kaip ištuštinti oro talpyklą“.
5. Nuvalykite įrenginį sausa šluoste.
6. Suvyniokite oro tiekimo žarną ant žarnos suvyniojimo laikiklių.
7. Įrenginį neškite už nešimo rankenos.
8. Oro kompresorių laikykite įprastoje jo naudojimo padėtyje, sausoje saugioje vietoje.

⚠️ ĮSPĖJIMAS

Kompresoriui veikiant, oro kompresoriaus talpykloje kaupsis kondensatas. Jei vandenį paliksime talpykloje, talpykla susilpnės ir surūdys, todėl padidės pavojus, kad ji sutruks.

⚠️ ĮSPĖJIMAS

Visada atjunkite oro žarną nuo įrankių, kai tik jais nesinaudojate arba atliekate techninės priežiūros darbus. Atliekant techninę priežiūrą, prie oro žarnos prijungtas įrankis gali atsitiktinai pradėti veikti ir sunkiai sužaloti!

⚠️ ĮSPĖJIMAS

Jei prieš pradėdami kompresorių į saugojimo vietą iš jo neišimsite akumuliatoriaus, kompresorius gali toliau be perstojo veikti, perkaisti, sugesti ir sukelti gaisrą.

PRIEŽIŪRA

BENDRA PRIEŽIŪRA

- Valydami plastikines detales, nenaudokite tirpiklių. Komerciniai tirpikliai lengvai pažeidžia daugelį plastikinių detalių ir juos naudojant galima pažeisti plastikines detales. Valydami purvą, dulkes, tepalus, alyvas ir t.t., naudokite švarias šluostes.
- Stabdžių skysčiai, gazolinis ir benzino produktai, skvarbiosios alyvos ir pan. jokiū būdu negali patekti ant plastiko dalių. Juose yra chemikalų, kurie gali sugadinti, pažeisti arba susilpninti plastiką.
- Prieš įrenginį valydami arba jį remontuodami, visada išleiskite visą slėgį, išimkite akumuliatorių, palaukite, kol įrenginys atvės.
- Gaminio negalima modifikuoti arba naudoti gamintojo nepatvirtintus priedus. Gali kilti pavojus jūsų bei kitų asmenų saugai.
- Gaminio negalima naudoti, jeigu netinkamai veikia jungikliai, apsauginiai įtaisai ar kitos dalys. Nugabenkite į įgaliotą techninio aptarnavimo centrą, kad sutaisytų ar sureguliuotų specialistai.
- Prieš atlikdami reguliavimo, tepimo arba gaminio techninės priežiūros darbus, visada įsitikinkite, ar akumuliatoriaus blokas yra išimtas iš gaminio.
- Kiekvieną kartą prieš gaminį naudojant ir jį panaudojus reikia patikrinti, ar nėra pažeistų ar sugedusių dalių. Turi būti palaikoma geriausia gaminio darbo būklė; netinkamas dalis reikia nedelsiant pakeisti gamintojo patvirtintomis atsarginėmis dalimis.

⚠️ ĮSPĖJIMAS

Kad būtų saugiau ir patikimiau, visus remonto darbus turi atlikti įgaliotasis techninio aptarnavimo centras.

APLINKOS APSAUGA



Žaliavines medžiagas perdirbkite pakartotinai, o ne išmeskite kaip atliekas. Mechanizmas, priedai ir pakuotės turi būti laikomi pakartotinai perdirbti aplinkai nekenksmingu būdu.

SIMBOLIAI ANT ĮRENGINIO



Saugos perspėjimas



Atidžiai perskaitykite instrukcijas prieš pradėdami naudoti mechanizmą.

EN
FR
DE
ES
IT
NL
PT
DA
SV
FI
NO
RU
PL
CS
HU
RO
LV
LT
ET
HR
SL
SK
BG
UK
TR
EL





CE atitiktis

„EurAsian“ atitikties ženklas



Ukrainos atitikties ženklas



Naudodami šį prietaisą visada dėvėkite apsauginius akinius.



Naudokite ausų apsaugos priemones.



Naudojimui tik uždaroje patalpose



Išpėjimas saugoti nuo drėgmės. Saugokite nuo lietaus. Laikykite vidaus patalpose.



Iškvėpimo pavojus. Tiesiai iš oro kompresoriaus gaunamo oro niekada negalima naudoti žmonėms kvėpuoti.



Sprogimų pavojus. Nekeiskite regulatoriaus nuostatos, norėdami padidinti slėgį, kad jis viršytų pažymėtą maksimalų prijungto priedo slėgį. Nenaudokite aukštesnio nei 10 barų slėgio.



Šis kompresorius gali įsijungti be išpėjimo.

Gaisro arba sproginio pavojus.

Purškimo vieta turi būti gerai vėdinama. Nerūkykite purkšdami dažus ir nepurkškite tuomet, kai matomos kibirkštys ar liepsna. Kompresorius laikykite kaip įmanoma toliau nuo purškimo zonos. Kompresorių laikykite bent 10 m atstumu nuo purškimo vietos bei visų sprogių garų.



Reguliuojamas slėgis



Talpyklos slėgis



Elektrinių produktų atliekos neturi būti metamos kartu su namų ūkio atliekomis. Prašome perdirbkite jas ten, kur yra tokios perdirbimo bazės. Dėl perdirbimo patarimo kreipkitės į savo vietinę savivaldybę ar pardavėją.

SIMBOLIAI VADOVE



Detalės arba priedai yra parduodami atskirai



Pastaba



Išpėjimas

Šie signaliniai žodžiai yra skirti nurodyti su prietaiso naudojimu susijusio pavojaus lygį.

PAVOJUS

Rodo grėšiančią pavojingą situaciją, kurios neišvengus galima patirti mirtiną arba sunkų sužalojimą.

IŠPĖJIMAS

Rodo potencialiai pavojingą situaciją, kurios neišvengus galima patirti mirtiną arba sunkų sužalojimą.

ATSARGIAI

Rodo potencialiai pavojingą situaciją, kurios neišvengus galima patirti nesunkų arba vidutinio sunkumo sužalojimą.

ATSARGIAI

(Be išpėjamojo šauktuko) Reiškia situaciją, kurioje galima sugadinti turtą.



EN
FR
DE
ES
IT
NL
PT
DA
SV
FI
NO
RU
PL
CS
HU
RO
LV
LT
ET
HR
SL
SK
BG
UK
TR
EL

Meie õhukompressorite loomisel on kõige olulisemateks kriteeriumiteks ohutus, jõudlus ja töökindlus.

OTSTARBEKOHANE KASUTAMINE

Õhukompressor on ettenähtud ainult suruõhu tootmiseks. Seda ei tohi kasutada mistahes teise gaasi survestamiseks.

Toode on ettenähtud õhujõul töötavate tööriistade käitamiseks ja kõrgsurveesmete nagu autorehvide ja jalgrattakummide täitmiseks.

Toode on mõeldud kasutamiseks täiskasvanutele, kes on lugenud läbi selles kasutusjuhendis olevad juhised ja hoiatused ning need endale selgeks teinud, ja kes suudavad oma tegevuse eest vastutada.

Toodet võib kasutada ainult siseruumides.

Ärge kasutage seadet ühelgi muul viisil kui mainitud sihtotstarbeks. Tööoperatsiooniks mitte ettenähtud elektritööriista kasutamine võib tekitada ohtliku olukorra.

OHUTUSE ÜLDEESKIRJAD

⚠ HOIATUS

Lugege kõik ohuhoiatused ja juhised läbi. Hoiatuse ja juhiste eiramise puhul on oht saada elektrilööki või raskeid kehavigastusi ning/või põhjustada tulekahju.

Hoidke kõik hoiatused ja juhised edaspidiseks juhendumiseks alles.

⚠ HOIATUS

Elektritööriistade kasutamisel tuleb alati järgida üldisi ohutusnõudeid, et vähendada tulekahjust ja elektrilöögist tingitud ohtu ning vältida kehavigastusi. Lugege enne toote kasutama hakkamist kõik juhised läbi ja hoidke need alles.

TÖÖKOHA OHUTUS

- Hoidke töökoht puhas. Korratu ümbrus ja tööpink kutsuvad esile õnnetusi. Ärge hoidke tööriistu või toorikuid sae peal sel ajal kui tööriist töötab.
- Ärge kasutage toodet ohtlike keskkondades. Ärge jätke seadet niiskesse või märga kohta ega vihma kätte. Hoidke töökoht hästi valgustatud.
- Hoidke lapsed ja kõrvaltvaatajad töötamise ajal eemal. Kõik kõrvalseisjad peavad kandma turvapille ja asuma tööalast ohutult kaugusel. Ärge laske külastajatel töötava toote vastu minna.
- Ärge kunagi kasutage seadet plahvatusohtlikus keskkonnas. Mootori tavatöös tekkivad sädemed võivad gaase süüdata.

ELEKTROIHUTUS

- Peaks mõni toote elektrikomponent rivist minema, lülitage enne kasutamise jätkamist toitelüliti välja, eemaldage tootest akupakett ja pange akupakett tagasi oma kohale.

- Ärge jätke tööriistu vihma kätte ega niiskesse kohta. Vee sattumisel elektrilise tööriista sisemusse suureneb elektrilöögi saamise oht.

ISIKUKAITSE

- Olge tähelepanelik ja hoidke seadet kontrolli all. Jälgige mida teete ja kasutage tervet mõistust. Ärge kasutage saagi siis, kui te olete väsinud. Ärge liigselt kiirustage.
- Kandke tööks sobivat riietust. Ärge kandke lõtvu riietusesemed, kaelasidet või ehteid, sest need võivad haakuda liikuvate osade külge. Väljas töötamise ajal on soovitatav kanda kummikindaid ja libisemiskindlaid jalatseid. Kandke peakatet, mis hoiab pikad juuksed kinni.
- Kasutage alati kaitseprille, mis kaitsevad silmi ka külgedelt. Tavaprillidel on vaid löögikindlad klaasid – need EI OLE kaitseprillid.
- Kaitske oma hingamisorganeid. Tolmustes kohtades töötamisel kandke näomaski või respiraatorit.
- Kaitske oma kuulmist. Pikaajalisel töötamisel kasutage kuulmiskaitsevahendeid.
- Ärge küünitage end töötamisel liigselt välja. Hoidke end pidevalt jalgedel ja tasakaalus.
- Kõrvaldage reguleerimisrakised ja mutrivõtmed. Kujundage endas harjumus enne sae käivitamist kontrollida, et kõik reguleerimisseadised ja mutrivõtmed on eemaldatud.

ÕHUKOMPRESSORI KASUTAMINE JA HOOLDAMINE

- Ärge ületage ühegi süsteemi osa nimirõhku.
- Hoidke toiteliini ja õhutorustikke vigastuste või läbitorgete eest. Hoidke voolik eemal teravatest esemetest, maha läinud kemikaalidest, õlist, lahustitest ja mürgadest pörandatest.
- Kontrollige enne kasutamahakkamist, et voolikutel ei ole nõrgenenud või kulunud kohti ja liitmikud on tihedad. Ärge kasutage siis, kui seade on rikkis. Hankige uus voolik või laske volitatud teeninduskeskuses üle kontrolliga ja parandada.
- Laske kogu rõhk süsteemist välja. Tolm ja praht võivad olla kahjulikud.
- Hoiustage kompressorid, mida ei kasutata lastele ja väljaõppeta isikutele kättesaamatus kohas. Väljaõppeta isikute käes on õhukompressorid ohtlikud.
- Hooldage õhukompressoreid hoolikalt. Järgige hooldusjuhiseid. Nõuetekohaselt hooldatud tööriistu on lihtsam kontrolli all hoida.
- Kontrollige liikuvate osade mittesentreeritust ja kinniteid, osade vigastusi ning tehke kindlaks muud seisundid, mis võivad mõjustada elektriseadme tööd. Kui mõni osa on vigastatud, siis laske seade enne kasutamist ära parandada. Halvasti hooldatud tööriistad põhjustavad palju õnnetusi.
- Hoidke toote välispind kuivana, puhtana ja ilma õli- või määrdeplekkideta. Kasutage seadme puhastamiseks riidelappi. Ärge mingil juhul kasutage seadme puhastamiseks pidurivedelikke, bensiini, naftasaaduste-põhiseid puhastusvahendeid ega mingeid tugevatoimelisi lahusteid. Selle juhise järgimine vähendab plastkorpuse kahjustumist.





HOOLDUS

- Kasutage teenindamisel ainult täpselt sobivaid varuosi. Muude osade kasutamine võib tekitada ohuolukorra ja põhjustada seadme vigastumise.

Hoidke käesolev juhend alles. Lugege juhend aeg-ajalt uuesti läbi ja kasutage seda teiste kasutajate juhendamiseks. Kui tööriista välja laenate, siis andke käesolev kasutusjuhend kaasa.

ÕHUKOMPRESSORI OHUTUSHOIATUSED

- Õppige oma toodet tundma. Lugege kasutusjuhend tähelepanelikult läbi. Õppige tundma seadme kasutusalasid ja kasutamisele esitatud piiranguid ning sellega seotud eriohtusid. Juhiste järgimine vähendab elektrilöögi, tulekahju ja raske kehavigastuse ohtu.
- Tühjendage õhupaak iga kasutuspäeva lõpul niiskusest. Kui toodet mõnda aega ei kasutata, jätke tühjenduskraan kuni järgmise kasutamiseni lahti. See võimaldab niiskusel täielikult paagist väljuda ja vältida paagi sees korrosiooni tekkimist.
- Tule- või plahvatusoht. Ärge pihustage tuleohtlike vedelikke suletud kohas. Pihustamisala peab olema hästi ventileeritud. Ärge värvi pihustamise ajal suitsetage ega pihustage seal, kus on sädemeid või leeki. Hoidke toodet pihustusalast ja kõikidest plahvatusohtlikest aurudest vähemalt 10 m (33 jalga) kaugusel.
- Plahvatusoht. Ärge reguleerige regulaatorit tarvikul märgitud suurimast rõhust kõrgemale väljundrõhule. Ärge kasutage suuremat rõhku kui 8.3 bari.
- Et vähendada elektrilöögi ohtu, ärge jätke toodet vihma kätte. Hoiustage toodet siseruumides.
- Kontrollige õhupaaki iga aasta rooste, aukude ja muude vigade suhtes, mis võiksid muuta selle ebaturvaliseks.
- Ärge mingil juhul keevitage õhupaaki või puurige sellesse avasid.
- Veenduge, et voolik ei ole ummistunud või rebenenud. Keerdsus või takerdunud voolikud võivad põhjustada tasakaalukaotust ja võivad vigastada saada.
- Kasutage toodet üksnes selleks mõeldud otstarbel. Ärge püüdke seadme originaalkonstruksiooni või toimimispõhimõtteid muuta.
- Alati tuleb arvestada sellega, et seadme mittesihotstarbeline ja nõuetevastane kasutamine võib teile ja teistele kehavigastusi põhjustada.
- Ärge jätke toodet järelevalveta, kui õhuvoolik on tööriistaga ühendatud.
- Ärge suunake õhujõul töötavat tööriista enda ega teiste suunas.
- Ärge kasutage seadet, kui selle hoiatuskleebised ei ole loetavad.
- Ärge jätkake õhku läbi laskva või korralikult mitte toimiva toote või vooliku kasutamist.
- Enne toote reguleerimist või hooldamist või kui toodet ei kasutata, tuleb õhuvarustus alati lahti ühendada ja aku eemaldada.

- Ärge püüdke seadet voolikust tõmmata või tõsta.
- Teie tööriist võib vajada rohkem suruõhku kui toode on võimeline pakkuma.
- Lisaks kõigile õhukompressori ohutuseeskirjadele järgige alati ka kõiki õhujõul töötava tööriista tootja poolt soovitatud ohutuseeskirju. Selle juhise järgimine vähendab raske kehavigastuse ohtu.
- Ärge suunake kompressori õhujuga inimeste või loomade suunas. Hooldage selle eest, et tolm ja mustus ei paiskuks teie enda või teiste suunas. Selle juhise järgimine vähendab raske kehavigastuse ohtu.
- Ärge kasutage toodet kemikaalide pihustamiseks. Mürgiste aurude sissehingamisel võivad teie kopsud kahjustada saada. Tolmustes keskkondades ja värvimisel tuleb kasutada tolumumaski. Ärge teiseladage värvimise ajal.
- Kontrollige toitejuhe ja voolikud perioodiliselt üle ja kui avastate nendel vigastusi, siis laske need pädevas hooldustöökojas ära parandada. Jälgige pidevalt toitejuhtme paigutust. Selle juhise järgimine vähendab elektrilöögi ja tulekahju ohtu.
- Kontrollige liikuvate osade mittesentreeritust ja kinniteid, osade vigastusi ning tehke kindlaks muud seisundid, mis võivad mõjustada elektriseadme tööd. Kui mõni osa on vigastatud, siis laske seade enne kasutamist ära parandada. Halvasti hooldatud tööriistad põhjustavad palju õnnetusi.
- Kui fikseeritud kaitsed tuleb regulaarse hoolduse või remondi tõttu eemaldada, tuleb nende kinnitussüsteemid kaitsete eemaldamisel kaitse või masina külge jätta.
- Ärge hoiustage tööriista, mille külge on ühendatud õhuvoolik. Õhuvarustusega ühendatud tööriista hoiustamine võib tuua kaasa tööriista ootamatu tööle hakkamise või liikumise, mis võib põhjustada raskeid kehavigastusi.
- Kaitske oma hingamisorganeid. Tolmustes kohtades töötamisel kandke näomaski või respiraatorit. Selle juhise järgimine vähendab raske kehavigastuse ohtu.
- Hoidke käesolev juhend alles. Lugege juhised perioodiliselt üle ja tutvustage neid teistele, kes võivad seadet kasutada. Kui tööriista välja laenate, siis andke käesolev kasutusjuhend kaasa.
- Kompressori juhtimine toimub selle esiosas oleva juhtpaneeli kaudu.
- Kompressori töötamise ajal võivad selle mitmed osad kuumeneda kõrge temperatuurini. Kuumade pindade eest kaitsmiseks kasutage nõuetekohast isikukaitsesüsteemi, näiteks kindaid.
- Toodet ei tohi kasutada isikud (sh lapsed), kelle füüsilised või vaimsed võimed on piiratud või kellel ei ole seadme kasutamiseks vajalikke kogemusi või teadmisi. Lapsed peavad olema järelevalve all, et nad ei mängiks tootega.



AKU JA LAADIJA OHUHOIATUSED

⚠ HOIATUS

Lühisest põhjustatud tuleohtu, vigastuste või toote kahjustuste vältimiseks ärge kastke tööriista, vahetusakut ega laadimiseadet vedelikku ning jälgige, et vedelikke ei tungiks seadmetesse ega akusse. Korrodeeruvad või elektrit juhtivad vedelikud, nagu soolvesi, teatud kemikaalid ja pleegitusained või pleegitusaineid sisaldavad tooted, võivad põhjustada lühist.

- **Laadimiseks kasutage ainult tootja poolt kindlaks määratud laadijat.** Akule mittesobiva laadija kasutamine võib põhjustada tulekahju.
- **Kasutage tööriista üksnes spetsiaalselt selleks ettenähtud akuga.** Teiste akude kasutamine võib põhjustada vigastuste ja tulekahju ohtu.
- **Sel ajal kui akupakett ei ole kasutusel, hoidke seda eemal metallesemetest nagu kirjaklambrid, mündid, võtmed, naelad, kruvid ja muudest väikestest metallobjectidest, mis võivad akuklemmid lühistada.** Akuklemmide lühis võib põhjustada põletusi või tulekahju.
- **Ebasobivates tingimustes võib vedelik akust välja tulla; vältige kontakti.** Kui puutute kogemata vedelikuga kokku, loputage veega. Kui vedelik satub silma, pöörduge abi saamiseks arsti poole. Akuveredelik võib põhjustada nahaärritusi või põletusi.
- **Akutoitega seadmeid ei pea pingestamiseks vooluvõrgu pistikupessa ühendama – need on pinge all kogu aeg.** Akutoitega seadme kasutamisel või selle tarvikute vahetamisel olge võimaliku ohu vältimiseks väga ettevaatlik. Juhiste järgimine vähendab elektrilöögi, tulekahju ja raske kehavigastuse ohtu.
- **Ärge jätke akusid või toiteelemente lahtise tule lähedusse või kuuma kohta.** Selle juhise järgimine vähendab plahvatuse ja võimaliku kehavigastuse ohtu.
- **Ärge akupaketile lööge, ärge laske seda maha kukkuda ega vigastage muul moel.** Ärge kasutage akut või laadijat, mis on maha kukkunud või tugeva löögi saanud. Vigastatud aku võib plahvatada. Andke mahakukkunud või vigastatud aku kohe üle jäätmekäitlusteetevõttele.
- **Aku võib süüteallika toimel, näiteks süüteleegist plahvatada.** Raske kehavigastuse vältimiseks ärge kasutage akutoitega seadet kunagi lahtise leegi läheduses. Plahvatavast akust võivad tükid ja kemikaalid välja paiskuda. Kokkupuutumisel peske need veega maha.
- **Ärge laadige akut niiskes või märjas kohas.** Selle juhise järgimine vähendab elektrilöögi ohtu.
- **Parima tulemuse saamiseks peab akut laadima kohas, kus temperatuur jääb vahemikku +10 °C kuni 38 °C.** Tõsiste kehavigastuste ohu vältimiseks ärge hoidke akusid väljas ega sõidukites.
- **Aku kasutamisel äärmuslikes tingimustes või piirtemperatuuridel võib aku lekkima hakata.** Kui akuveredelik satub nahale, siis peske see vee ja

seebiga maha. Kui akuveredelik satub silma, loputage silmi vähemalt 10 minuti jooksul puhta veega ja pöörduge seejärel viivitamatult arsti poole. Selle juhise järgimine vähendab raske kehavigastuse ohtu.

- **Ärge kasutage vigast või ümbertehtud akut.** Vigased või ümbertehtud akud võivad toimida ettearvatult, mille tagajärjeks on tulekahju, plahvatus või vigastuste oht.
- **Ärge muutke ega proovige parandada kahjustatud akut.**
- **Ärge jätke akut või tööriista tule lähedale ega liiga kõrge temperatuuri kätte.** Tuli või temperatuur üle 130°C võib põhjustada plahvatust.
- **Järgige kõiki laadimisjuhiseid ning ärge laadige akut ega tööriista väljaspool juhistes määratletud temperatuurivahemikku.** Vale laadimine või laadimine väljaspool määratletud temperatuurivahemikku võib akut rikkuda ja suurendada tulekahju ohtu.

LITUMAKUDE TEISALDAMINE

Akude transportimisel juhinde kasutuskohas kehtivatest ja riiklikest määrustest ja eeskirjadest.

Akude transportimisel allettevõtjate poolt järgige kõiki spetsiaalseid pakkimise ja tähistamise nõudeid. Veenduge, et akud ei satu kokkupuutesse teiste akude ega voolu juhtivate materjalidega, transportimise ajal kaitske klemme voolu mittejuhtivate isoleerkaetete või teibiga. Ärge transportige pragunenud või lekkivaid akusid. Küsige lisateavet transportettevõtelt.

AKUD

Kui akut ei ole mõnda aega kasutatud, tuleb see enne kasutamist uuesti laadida.

Temperatuurid üle 50 °C vähendavad aku jõudlust. Vältige pikaajalist kokkupuudet kuumuse ja päikesega (ülekuumenemise oht).

Laadijate ja aku kontaktid tuleb hoida puhtana.

Optimaalse kasutusaja jaoks tuleb aku pärast kasutamist täis laadida.

Et tagada aku pikim kasutusaeg, eemaldage täislaetud aku laadijast.

Kui aku hoiustatakse kauemaks kui 30 päevaks:

- Hoidke akut kohas, mille temperatuur on madalam kui 27 °C ja mis on kaitsitud niiskuse eest.
- Hoiustage akud 30%-50% laetud olekus.
- Iga kuue kuu hoiustamise möödudes laadige akut tavalisel moel.

AKU KAITSE

Akul on ülekoormuskaitse, mis kaitseb seda üle koormamise eest ja aitab tagada seadme pikka kasutusiga. Äärmusliku pinge korral lülitab aku elektroonika toote automaatselt välja. Taaskäivitamiseks lülitage toode välja ja seejärel uuesti sisse. Kui toode uuesti ei käivitu, võib aku olla täielikult tühenenud. Sellisel juhul tuleb see akulaadijaga täis laadida.



JÄÄKRISKID

Isegi siis, kui seadet kasutatakse kirjeldatud viisil, ei ole võimalik kõrvaldada kõiki jääkriskide mõjureid. Töötamise ajal võivad tekkida järgmised ohud, millele operaator peab pöörama erilist tähelepanu.

- Kasutage toodet üksnes selleks mõeldud otstarbel. Ärge püüdke seadme originaalkonstruksiooni või toimimispõhimõtteid muuta.
- Alati tuleb arvestada sellega, et seadme mittesihotstarbeline ja nõuetevastane kasutamine võib teile ja teistele kehavigastusi põhjustada.
- Ärge jätkake toodet järelevalveta, kui voolik on tööriistaga ühendatud.
- Ärge jätkake õhku läbi laskva või korralikult mitte toimiva toote või vooliku kasutamist.
- Plahvatusoht
 - Ärge reguleerige regulaatorit tarvikul märgitud suurimast rõhust kõrgemale väljundrõhule.
- Mootori ja silindri töötamise ajal tekib soojus ja kõrge temperatuur. Katmata metallpindade puudutamine võib põhjustada raskeid põletusi.
 - Hoidke õhukompressor töösoonidest alati eemal.
- Mürast põhjustatud vigastus
 - Kandke kuulmise kaitsevahendeid.
- Õhukompressorist väljuv gaas võib panna prahi, laastud, lahised osakesed ja väikesed esemed suurel kiirusel liikuma. See võib põhjustada objektide silma sattumise või muu tõsise vigastuse.
 - Kandke erinevate tööriistade kasutamisel asjakohaseid kaitsevahendeid.

ÕPPIGE OMA TOODET TUNDMA

Vt lk 195.

1. Voolik kokku kerimise klambrid
2. Kiirliitmik
3. PCL kiire vooluga siseliitmik 1/4" BSP
4. Paagi regulaatori manomeeter
5. Rõhuregulaatori nupp
6. Regulaatori manomeeter
7. Kandehoidik
8. Kaitseklapp
9. „Sisse/välja“-lüliti
10. Aku
11. Dreenimiskraan
12. Lähtestusnupp

LAHTIPAKKIMINE

Vaadake tööriist hoolikalt üle ja kontrollige, ega transpordi ajal pole midagi purunenud või kahjustunud.

Enne pakendi äraviskamist vaadake tööriist hoolikalt üle ja kontrollige, kas ta töötab korralikult.

⚠ HOIATUS

Kui mõni osa on kahjustatud või puudu, ei tohi toodet enne selle asendamist tööle panna. Kahjustatud või puuduva osadega toote kasutamine võib põhjustada tõsise kehavigastuse.

⚠ HOIATUS

Ärge püüdke ümber ehitada ega luua lisaseadmeid, mida pole soovitatud selle tööriistaga koos kasutada. Igasugune konstruktsiooni muutmine või ümberehitamine on väärkasutamine ja põhjustab ohtliku olukorra, mis võib tekitada raske kehavigastuse.

⚠ HOIATUS

Juhusliku käivitumise vältimiseks, mis võib põhjustada tõsiseid kehavigastusi, eemaldage alati aku enne osade ühendamist.

KASUTAMINE

ETTEVALMISTUSTOIMINGUD

Õhuvooliku kinnitamine/lahtiühendamine

Vt lk 196.

MÄRKUS: Tööks 7 baari (102 psi) ületava rõhu korral tuleb etteandevoolikud varustada turvakaabli, näiteks trossiga.

1. Veenduge, et sisse-/väljalülitusnupp on asendis OFF (O) ja aku on lahti ühendatud.
2. Tõmmake reguleerimise võimaldamiseks rõhuregulaatori nuppu väljapoole. Keerake rõhuregulaatori nupp lõpuni vastupäeva.
3. Veenduge, et väljundrõhk puudub.
4. Kinnitage liitmikuga õhuvoolik õhukompressori 6,35 mm-sele (1/4 tollisele) kiirühendusele. Veenduge, et olete lükanud liitmiku kiirühendusel nii kaugele, et ühenduse muhv liigub edasi ja lukustab pistiku kohale.

Õhuvooliku või õhujõul töötava tööriista lahtiühendamiseks:

1. Tõmmake reguleerimise võimaldamiseks rõhuregulaatori nuppu väljapoole. Keerake rõhuregulaatori nupp lõpuni vastupäeva.
2. Veenduge, et väljundrõhk puudub.
3. Tõmmake 6,35 mm (1/4 in.) kiirühendusliitmiku muhv tagasi. Tõmmake kiirühendusele kinnitatud voolikuliitmik kindlalt välja.

Aku ühendamine/eemaldamine

1. Veenduge, et sisse-/väljalülitusnupp on asendis OFF (O).
2. Pange aku akupesasse.
3. Sisselükkamise järel veenduge, et mõlema poole lukustid lukustuvad akul olevatesse pesadesse.
4. Vajutage lukustitele, et akupakett vabastada.
5. Vaadake täielikke juhiseid laadimise kohta aku ja laadija kasutusjuhenditest.

ÕHUKOMPRESSORI KASUTAMINE

⚠ OHT.

Ärge eemaldage ballooni äravooluklappe ega kaitseklappi, kui balloonis on õhku. Laske balloonis õhk välja. Kui õhuballoonist rõhku välja ei lasta võib see põhjustada plahvatused ja/või tõsiseid vigastusi.





⚠ HOIATUS

Kasutage alati kaitseprille, mis kaitsevad silmi ka külgedelt. Selle eiramine võib tähendada, et võõrkehad võivad sattuda teile silma, mis võib põhjustada tõsise vigastuse.

⚠ HOIATUS

Ärge kasutage lisaseadmeid ega lisandeid, mida pole selle toote tootja soovitanud. Soovitamata lisaseadmete ja tarvikute kasutamine võib põhjustada tõsise kehavigastuse.

⚠ HOIATUS

Ärge ühendage voolikule ühetegi tööriista enne kui kompressori algseadistamine on lõppenud.

⚠ HOIATUS

Võtke akupakett tööriista pesast alati välja, kui te osi paigaldate, tööriista reguleerite, puhastate või tööriista ei kasuta. Aku eemaldamine väldib tööriista tahtmatu käivitumise, mis võib põhjustada raske kehavigastuse.

⚠ HOIATUS

Ärge kasutage kompressorit tolmuses või muul viisil saastunud keskkonnas. Õhukompressori kasutamine seda tüüpi keskkonnas võib toodet kahjustada.

Õhurõhu reguleerimine

Vt lk 197.

1. Veenduge, et sisse-/väljalülitusnupp on asendis OFF (O) ja aku on eemaldatud.
2. Ühendage aku tootega.
3. Viige sisse-/väljalülitusnupp asendisse ON (I).
4. Tõmmake reguleerimise võimaldamiseks rõhuregulaatori nuppu väljapoole.
5. Keerake rõhuregulaatori nupp soovitud rõhu peale. Keeramisel päripäeva tõuseb õhurõhk väljundil. Keeramine vastupäeva vähendab õhurõhku väljundil. Vajutage rõhuregulaatori nupule reguleerimise deaktiveerimiseks.
6. Võite nüüd jätkata õhujõul töötava tööriista kasutamist järgides kõiki käesolevas juhendis toodud ohutusnõudeid ja tootja kasutusjuhendit.

⚠ HOIATUS

Õhujõul töötavad tööriistad võivad tarbida rohkem õhku, kui see õhukompressor suudab pakkuda. Tutvuge tööriista kasutusjuhendiga, et vältida kahjustusi ja kehavigastusi.

7. Reguleerige õhuvoolu kompressori reguleernupuga. Nupu lõpuni vastupäeva keeramine peatab õhuvoolu täielikult.

MÄRKUS: Kasutage oma vajadusi rahuldavat minimaalrõhku. Suurema rõhu kasutamisel tühjeneb

õhupaak kiiremini ja see põhjustab kompressori liiga sagedase sisselülitumise.

8. Viige õhukompressori väljalülitamiseks toitelüliti asendisse OFF (O).

MÄRKUS: Kui kompressor on asendis ON (I), lülitub õhukompressor automaatselt sisse, kui õhurõhk langeb balloonis etteantud piirist allapoole. Soovitud rõhu saavutamisel lülitub see uuesti välja.

⚠ HOIATUS

Ärge ületage kunagi õhujõul töötava tööriista tootja soovitatud piirrõhku. Kui kasutate õhukompressorit täispuhumiseks, järgige alati tootja sätestatud maksimaalse täispuhumise ettekirjutusi.

⚠ HOIATUS

Veenduge enne õhujõul töötavate tööriistade vahetamist või vooliku eemaldamist alati, et sisse-/väljalülitamisnupp on asendis OFF (O) ja regulaatori rõhumõõdikul on näha null. Muidu võite saada raske kehavigastuse.

9. Kui olete lõpetanud, tühjendage alati balloon ja eemaldage aku. Ärge eemaldage tootest kunagi, kui see töötab või on akuga ühendatud.

ÕHUBALLOONI TÜHJENDAMINE

Vt lk 198.

Ballooni roostetamise vältimiseks ja selles niiskuse vältimiseks tuleb kompressori õhupaaki iga päev tühjendada.

Õhupaagi tühjendamiseks:

1. Veenduge, et sisse-/väljalülitusnupp on asendis OFF (O).
 2. Eemaldage aku.
 3. Tõmmake survekaitseklapi rõngast, kuni ballooni manomeetril on näha vähem kui 1,4 baari (20 PSI).
 4. Vabastage rõngas.
 5. Keerake niiskuse eemaldamiseks tühjendusklapi hooba vastupäeva.
- MÄRKUS:** Kondensaat on heitesaadus ja see tuleb kõrvaldada vastavuses kohalike eeskirjadega.
6. Keerake tühjendusklapi sulgemiseks tühjendusklapi hooba vastupäeva.

LÄHTESTUSNUPP

Kui õhukompressori mootoris sisenev vool ületab määratud väärtuse, lülitub õhukompressor automaatselt välja.

Õhukompressori lähtestamiseks:

1. Eemaldage aku.
2. Lülitage tööriist välja.
3. Oodake kolm minutit, kuni mootor on jahtunud.
4. Vajutage lähtestusnupule.
5. Ühendage aku tootega.
6. Lülitage masina toide sisse.

LIITMIKU VAHETAMINE

Vt lk 199.

EN
FR
DE
ES
IT
NL
PT
DA
SV
FI
NO
RU
PL
CS
HU
RO
LV
LT
ET
HR
SK
SL
BG
UK
TR
EL



1. Veenduge, et sisse-/väljalülitisnupp on asendis OFF (O).
2. Eemaldage aku.
3. Tõmmake survekaitseklapi rõngast, kuni ballooni manomeetril on näha vähem kui 1,4 baari (20 PSI).
4. Vabastage rõngas.
5. Lõdvendage liitmikku seda mutrivõtmeega vastupäeva keerates ja eemaldage see.
6. Paigaldage mutrivõtme abil uus liitmik ja keerake see kinni päripäeva.

TRANSPORTIMINE JA HOIUSTAMINE

Vt lk 200-201.

1. Veenduge, et sisse-/väljalülitisnupp on asendis OFF (O).
2. Eemaldage aku.
3. Pange õhujõul töötav tööriist tööle, et voolikust rõhk eemaldada, ning eemaldage seejärel õhuvoolik ja tööriist. Laske õhk välja, tõmmates surveklappi.
4. Laske paagist vesi välja, nagu on kirjeldatud peatükis „Õhuballooni tühjendamine”.
5. Puhastage toodet pehme kuiva lapiga.
6. Keerake õhuvoolik voolikuklambrite peale.
7. Kandke toodet kandesangast.
8. Säilitage õhukompressorit selle normaalses tööasendis kuivas ja kaitstud kohas.

⚠ HOIATUS

Kui kompressor töötab, kondenseerub selle paaki vett. Paaki jäänud vesi võib paaki rikkuda ja tekitada roostet, mis suurendab paagi purunemise ohtu.

⚠ HOIATUS

Ühendage alati õhuvoolik tööriistade küljest lahti, kui seda ei kasutata või seda hooldatakse. Hoolduse ajal võib õhuvooliku külge kinnitatud tööriist juhuslikult tööle hakata, põhjustades tõsiseid vigastusi!

⚠ HOIATUS

Kui akut enne ladustamist õhukompressori küljest ei eemaldata, võib kompressor tööle jääda, mis põhjustab ülekuumenemist, kompressori kahjustumist ja tulekahju tekkimise ohtu.

HOOLDUS

ÜLDINE HOOLDUS

- Vältige plastosade puhastamisel lahustite kasutamist. Enamik plastid on tundlikud erinevate kaubandusvõrgust saadaolevate lahustite suhtes ja võivad nende mõjul oma omadusi kaotada. Mustusest, tolmust, õlist, määrdest jne puhastamiseks kasutage puhast riidelappi.
- Ärge laske plastosadel mitte mingil juhul sattuda kokkupuutesse auto pidurivedeliku, bensiini, bensiinipõhiste toodete, immutusõlidega või muude samalaadsete vedelikega. Kemikaalid võivad kahjustada, nõrgendada või hävitada plastiku, mis võib

omakorda põhjustada vigastusi kasutajale.

- Enne toote puhastamist või parandamist tuleb lasta alati kogu rõhk välja, eemaldada aku ja lasta seadmel jahtuda.
- Ärge püüdke seadme konstruktsiooni mingil viisil muuta ega kasutage varuosi või tarvikud, mis pole tootja poolt soovitatud. Teie ja kõrvalolijate turvalisus võib olla ohustatud.
- Ärge kasutage seadet kuni mõni lüliti, kaitsekate või funktsioon ei tööta nagu ette nähtud. Andke need volitatud hoolduskeskusesse remondiks või reguleerimiseks.
- Enne toote reguleerimist, määrimist või hooldustööde tegemist veenduge, et aku on tootest eemaldatud.
- Kontrollige seade enne ja pärast kasutamist vigastuste ning purunenud osade suhtes üle. Hoidke seadet heas töökorras, selleks asendage osad nende varuosadega, mis on tootja poolt heaks kiidetud.

⚠ HOIATUS

Kõik remonttööd tuleb lasta teha volitatud hoolduskeskuses, et tagada masina ohutus ja töövõime.

KESKKONNAKAITSE



Taaskasutage materjale nende jäätmekäitluse andmise asemel. Masin, selle lisaseadmed ja pakend tuleb jäätmekäitluseks keskkonnasõbralikult sorteerida.

MASINAL OLEVAD SÜMBOLID



Õhuhoiatus



Enne seadme kasutamist lugege palun kasutusjuhend hoolega läbi.



CE-vastavus



Euraasia vastavusmärk



Ukraina vastavusmärgis



Masinaga töötamisel kandke alati kaitseprille.



Kasutage kuulmiskaitsevahendeid.



Kasutamiseks ruumides



Märgade tingimuste hoiatus. Ärge jätke vihma kätte Hoiustage ruumis.



Sissehingamine on ohtlik. Õhukompressorist väljuvat õhku ei tohiks kunagi kasutada inimeste tarbitava õhu pakkumiseks.



Plahvatusoht. Ärge reguleerige regulaatorit tarvikul märgitud suurimast rõhust kõrgemale väljundrõhule. Ärge kasutage suuremat rõhku kui 10 bari.



Kompressor võib käivituda eelneva hoiatuseta.



Tule- või plahvatusoht. Pihustamisala peab olema hästi ventileeritud. Ärge värvi pihustamise ajal suitsetage ega pihustage seal, kus on sädemeid või leeki. Hoidke kompressorit pihustamiskohast võimalikult kaugelt. Hoidke kompressorit pihustamiskohast ja plahvatusohtlikest aurudest vähemalt 10 m kaugusel.



Reguleeritud rõhk



Paagi rõhk



Mittekasutatavaid elektritooteid ei tohi visata olmejäätmete hulka. Vaid tuleb viia vastavasse kogumispunkti. Vajadusel küsige sellekohast nõu oma edasimüüjalt või vastavalt kohaliku omavalitsuse institutsioonilt.

KASUTUSJUHENDIS KASUTATUD SÜMBOLID



Eraldi ostetavad osad või tarvikud



Märkus



Hoiatus

Järgnevad märguandesõnad ja tähendused on mõeldud selle toote kasutamise seotud riskitasemete kirjeldamiseks.

OHT.

Osutab ähvardavale ohuolukorrale, mille mittevältimine lõpeb surma või tõsise vigastusega.

HOIATUS

Osutab võimalikule ohuolukorrale, mille mittevältimine võib lõppeda surma või tõsise kehavigastusega.

ETTEVAATUST

Osutab võimalikule ohuolukorrale, mille mittevältimine võib lõppeda väiksemate või mõõdukate kehavigastustega.

ETTEVAATUST

(Ilma ohutussümbolita) Viitab olukorrale, mis võib põhjustada kahjustusi varale.



Vodeću ulogu u dizajnu vašeg zračnog kompresora imaju sigurnost, performanse i pouzdanost.

NAMJENA

Zračni kompresor projektiran je samo za napajanje zrakom pod tlakom. Ne smije se koristiti za komprimiranje nijednog drugog plina.

Proizvod je osmišljen za pokretanje alate na zračni pogon i za napuhavanje artikala pod visokim tlakom, kao što su automobilske gume i gume za bicikle.

Proizvod smiju koristiti isključivo punoljetne osobe koje su pročitale i razumjele upute i upozorenja u ovom priručniku i koje se mogu smatrati odgovornima za svoje postupke.

Proizvod treba koristiti samo u zatvorenom prostoru.

Nemojte koristiti proizvod na bilo koji drugi način od onog za koji je namijenjen. Korištenje električnog alata za radove drugačije od njegove namjene može dovesti do opasne situacije.

OPĆA SIGURNOSNA PRAVILA

⚠ UPOZORENJE

Pročitajte sva sigurnosna upozorenja i sve upute. Nepridržavanje upozorenja i uputa navedenih u nastavku može dovesti do električnog udara, požara i/ili ozbiljnih tjelesnih ozljeda.

Spremite sva upozorenja i upute za buduće korištenje.

⚠ UPOZORENJE

Kako biste smanjili opasnost od požara, strujnog udara i osobnih ozljeda prilikom korištenja električnih alata, uvijek se valja pridržavati osnovnih mjera opreza. Prije pokušaja korištenja ovog uređaja pročitajte i spremite sve upute.

SIGURNOST RADNOG PODRUČJA

- Održavajte radno područje čistim. Zatrpana radna područja i stolovi dovode do nesreće. Nemojte ostavljati alate ili dijelove drva na alatu dok je u radu.
- Nemojte koristiti proizvod u opasnim okruženjima. Električni alat nemojte koristiti u vlažnim ili mokrim mjestima ili izlagati na kiši. Držite radni prostor dobro osvijetljen.
- Djecu i posjetitelje držite podalje. Svi posjetitelji trebaju nositi zaštitne naočale i biti na sigurnoj udaljenosti od radnog područja. Nemojte dozvoliti da posjetitelji diraju proizvod dok radi.
- Nikada nemojte koristiti u eksplozivnoj atmosferi. Uobičajeno iskrenje motora može upaliti pare.

ELEKTRIČNA SIGURNOST

- Ako bilo koja od električnih komponenti proizvoda ne bi bila ispravna, isključite proizvod pomoću električnog prekidača, izvadite bateriju iz proizvoda i vratite je na mjesto prije nego što nastavite s radom.

- Nemojte izlagati električne alate kiši ili vlažnim uvjetima. Ulazak vode u električni alat povećava opasnost od strujnog udara.

OSOBNA SIGURNOST

- Budite na oprezu i imajte kontrolu nad alatom. Gledajte to što radite i pri radu s alatom koristite zdrav razum. Nemojte raditi s alatom kad ste umorni. Nemojte žuriti.
- Pravilno se odjenite. Nemojte nositi široku odjeću, kravate ili nakit koji mogu biti zahvaćeni i povući vas među pokretne dijelove. Preporuča se da prilikom rada na otvorenom nosite gumene rukavice i obuću sa zaštitom od klizanja. Nosite i zaštitu za kosu kako biste pokrili dugu kosu.
- Uvijek nosite zaštitne naočale s bočnim štيتnicima. Svakodnevne naočale imaju samo leće otporne na udar; one nisu sigurnosne naočale.
- Zaštitite svoja pluća. Ako se pri korištenju stvara prašina, dobro je da nosite zaštitu za lice ili masku.
- Zaštitite svoj sluh. Tijekom produljenih razdoblja rada nosite zaštitu za sluh.
- Nemojte se naginjati preko rubova. Cijelo vrijeme držite pravilno uporište i ravnotežu.
- Uklonite ključeve za ugađanje i ključeve. Zbog navike provjeravanja pogledajte da li su ključevi i ključevi za ugađanje uklonjeni s alata prije nego što ga uključite.

UPOTREBA I ODRŽAVANJE ZRAČNOG KOMPRESORA

- Nemojte premašivati raspon tlaka bilo koje komponente u sustavu.
- Zaštitite vodove materijala ili zračne vodove od oštećenja ili bušenja. Crijeva držite podalje od oštrih predmeta, prolivenih kemikalija, ulja, otapala i mokrih podova.
- Prije svakog korištenja provjerite jesu li crijeva oslabila ili su istrošena, potvrđujući da su svi spojevi sigurni. Nemojte koristiti ako je pronađen kvar. Kupite novo crijevo ili odnesite u ovlaštenu servisnu centar radi pregleda ili popravka.
- Lagano ispustite sve tlakove unutar sustava. Prašina i otpaci mogu biti štetni.
- Zračne kompresore spremajte izvan dohvata djece i osoba koje nisu obučene za rad s istima. Zračni kompresori opasni su u rukama neobučanih korisnika.
- Pomno održavajte zračne kompresore. Slijedite upute za održavanje. Pravilno održavanje alata olakšava kontrolu.
- Provjerite radi pogrešnog poravnanja ili savijanja pokretnih dijelova, puknuća dijelova i drugih uvjeta koji mogu utjecati na rad alata. Ako je oštećen, uređaj prije korištenja servisirajte. Većina nezgoda uzrokovane su od strane slabo održavanih uređaja.
- Vanjsku površinu proizvoda održavajte suhom i čistom, a na njoj ne smije biti ulja i masti. Prilikom čišćenja uvijek koristite čistu krpu. Nikada ne koristite tekućine za kočnice, benzin, proizvode na bazi benzina ili neka druga jaka otapala za čišćenje uređaja. Slijedite li ovo pravilo smanjit ćete opasnost od trošenja plastike kućišta.





EN
FR
DE
ES
IT
NL
PT
DA
SV
FI
NO
RU
PL
CS
HU
RO
LV
LT
ET
HR
SL
SK
BG
UK
TR
EL

SERVIS

- Prilikom servisiranja koristite samo identične zamjenske dijelove. Korištenje nekih drugih dijelova može dovesti do opasnosti ili uzrokovati oštećenje alat.

Sačuvajte ove upute. Često ih pogledajte i koristite ih da obučite druge korisnike. Ako nekome posudite ovaj alat, posudite mu isto tako i ove upute.

SIGURNOSNA UPOZORENJA ZRAČNOG KOMPRESORA

- Upoznajte svoj proizvod. Pažljivo pročitajte ovaj Korisnički priručnik. Saznajte primjenu i ograničenja stroja kao i određene potencijalne opasnosti vezane za ovaj alat. Tako ćete izbjeći opasnost od strujnog udara, požara i teških ozljeda.
- Svakoga dana iz spremnika za zrak ispraznite kondenziranu vladu nakon upotrebe. Ako se proizvod neće koristiti dulje vrijeme, najbolje je ispusni ventil ostaviti otvorenim do sljedeće upotrebe. To će omogućiti da se vlaga potpuno isprazni i pomoći će u sprečavanju nastanka korozije unutar spremnika za zrak.
- Rizik od požara ili eksplozije. Nemojte raspršivati zapaljive tekućine u zatvorenom području. Područje raspršivanja mora biti dobro ventilirano. Nemojte pušiti tijekom raspršivanja ili raspršivati gdje postoje iskre ili plamen. Proizvod držite barem 10 m (33 stope) od područja prskanja i svih eksplozivnih para.
- Opasnost od prsnuća. Regulator nemojte namještati tako da izlazni tlak bude veći nego označeni maksimalni tlak priključka. Ne koristite ga pod tlakom većim od 8,3 bara.
- Kako biste smanjili rizik od strujnog udara, proizvod nemojte izlagati kiši. Proizvod čuvajte u zatvorenom prostoru.
- Svake godine pregledajte spremnik za zrak i utvrdite ima li na njemu hrđe, pukotina, rupica ili ostalih oštećenja zbog kojih bi mogao postati nesiguran.
- Nikada nemojte variti ili bušiti rupe u spremniku za zrak.
- Provjerite je li crijevo slobodno od prepreka ili panjeva. Zapletena ili zadržana crijeva mogu uzrokovati gubitak ravnoteže ili uporišta i mogu se oštetiti.
- Proizvod koristite samo za njegovu predviđenu namjenu. Nemojte mijenjati ili modificirati jedinicu prema originalnom dizajnu ili funkciji.
- Uvijek imajte na umu da pogrešno i nepravilno rukovanje s ovim alatom može dovesti do vaših i ozljeda drugih.
- Proizvod nikada ne ostavljajte bez nadzora dok je crijevo za zrak spojeno na alat.
- Nikada nijedan alat na zračni pogon nemojte usmjeriti prema sebi ili drugima.
- Nemojte raditi s ovim alatom ako ne sadrži čitku naljepnicu s upozorenjem.
- Nemojte nastaviti koristiti alat ili crijevo koje ispušta zrak ili ne funkcioniira pravilno.

- Uvijek odspojite dovod zraka i izvadite bateriju prije podešavanja, servisiranja proizvoda ili kada proizvod nije u upotrebi.
- Nemojte pokušavati povući ili nositi proizvod za crijevo.
- Vaš alat bi mogao trošiti više zraka nego što ga proizvod može proizvesti.
- Uvijek slijedite sve sigurnosne upute koje navodi proizvođač vašeg zračnog alata, uz sva sigurnosna pravila za zračni kompresor. Slijedite li ovo pravilo smanjit ćete opasnost od ozbiljnih ozljeda.
- Nikada ne usmjeravajte mlaznicu komprimiranog zraka prema ljudima ili životinjama. Pazite da ne ispuhujete prašinu i prljavštinu prema sebi ili drugima. Slijedite li ovo pravilo smanjit ćete opasnost od ozbiljnih ozljeda.
- Ovaj proizvod ne koristite za prskanje kemikalija. Vaša pluća mogu se oštetiti udisanjem otrovnih para. Možda bude potrebno sredstvo za disanje u prašnjavom okruženju ili prilikom raspršivanja boje. Nemojte nositi uređaj tijekom bojanja.
- Povremeno provjerite kabele i crijeva alata, ako su oštećena, popravite ih u najbližem ovlaštenom servisnom centru. Uvijek imajte na umu gdje se nalazi kabel za napajanje. Tako ćete izbjeći opasnost od strujnog udara.
- Provjerite radi pogrešnog poravnanja ili savijanja pokretnih dijelova, puknuća dijelova i drugih uvjeta koji mogu utjecati na rad alata. Ako je oštećen, uređaj prije korištenja servisirajte. Većina nezgoda uzrokovane su od strane slabo održavanih uređaja.
- Kada je fiksne štitnike potrebno skinuti zbog periodičnog održavanja ili popravka, njihovi pričvršni sustavi moraju ostati pričvršćeni za štitnike ili aparat kada su štitnici skinuti.
- Alat nikada ne skladištite sa spojenom cijevi za zrak. Skladištenje alata dok je spojen na izvor napajanja zrakom može dovesti do njegovog neočekivanog rada, izbijanja požara ili pomaka i moguće teške tjelesne ozljede.
- Zaštitite svoja pluća. Ako se pri korištenju stvara prašina, dobro je da nosite zaštitu za lice ili masku. Slijedite li ovo pravilo smanjit ćete opasnost od ozbiljnih ozljeda.
- Sačuvajte ove upute. Često ih pogledajte i koristite ih da obučite druge koji mogu koristiti ovaj proizvod. Ako nekome posudite ovaj alat, posudite mu isto tako i ove upute.
- Radite uređajem u prednjem dijelu upravljačke ploče.
- Kad uređaj radi, mnogi dijelovi uređaja mogu izazvati visoku temperaturu. Koristite potrebnu osobnu zaštitnu opremu, poput rukavica, kako biste izbjegli ozljede rezultirane visokom temperaturom.
- Proizvod ne smiju koristiti osobe (uključujući i djecu) smanjenih motoričkih, senzornih ili mentalnih sposobnosti, te nestručne osobe i osobe bez iskustva. Djecu je potrebno nadzirati kako bi se osiguralo da se ne igraju s proizvodom.



SIGURNOSNA UPOZORENJA ZA BATERIJU I PUNJAČ

⚠ UPOZORENJE

Zbog izbjegavanja opasnosti od požara jednim kratkim spojem, opasnosti od ozljeda ili oštećenja proizvoda, alat, izmjenjivi akumulator ili napravu za punjenje ne uronjavati u tekućine i pobrinite se za to, da u uređaje ili akumulator ne prodiru nikakve tekućine. Korozirajuće ili vodljive tekućine kao slana voda, određene kemikalije i sredstva za bijeljenje ili proozvodi koji sadrže sredstva bijeljenja, mogu prouzročiti kratak spoj.

- **Ponovno punite koristeći isključivo punjač koji je specificirao proizvođač.** Punjač koji može biti prikladan za jednu vrstu baterija može dovesti do opasnosti od požara kada se koristi s drugom baterijom.
- **Električne alate koristite samo s točno određenim baterijskim sklopovima.** Korištenje baterija koje nisu specificirane od strane proizvođača povećava rizik od ozljeda ili požara.
- **Kada se baterija ne koristi držite je dalje od drugih metalnih predmeta kao što su spajalice za papir, kovanice, ključevi, čavli, vijci ili drugih malih metalnih predmeta koji mogu spojiti jedan pol na drugi.** Kratko spajanje baterijskih stezaljki može prouzročiti opekline ili požar.
- **Ako baterijom rukujete na grub način ili u teškim uvjetima rada, može doći do curenja tekućine iz baterije.** Izbjegavajte dodir s tom tekućinom. U slučaju dodira isperite pogođeno mjesto tekućom vodom. Ako tekućina dođe u kontakt s očima smjesta potražite liječničku pomoć. Curenje ili prskanje tekućine iz baterije može uzrokovati iritaciju kože ili opekline.
- **Uređaje na baterije nije potrebno priključivati u električne utičnice, stoga su uvijek u radnom stanju.** Imajte na umu moguće opasnosti kad na koristite svoj uređaj ili kada mijenjate dodatni pribor. Tako ćete izbjeći opasnost od strujnog udara, požara i teških ozljeda.
- **Ne postavljajte uređaje na baterije ili njihove baterije pored plamena ili topline.** Ovo će smanjiti opasnost od eksplozije i moguće ozljede.
- **Nemojte razbijati, ispustiti ili oštetiti bateriju. Nemojte koristiti bateriju ili punjač koji su pali na tlo ili primili oštar udarac.** Oštećena baterija može eksplodirati. Odmah pravilno zbrinite bateriju koja je ispala ili je oštećena.
- **Baterije mogu eksplodirati u prisutnosti izvora paljenja kao što je signalna lampica.** Kako biste smanjili opasnost od ozbiljnih osobnih ozljeda nikada nemojte koristiti uređaj na baterija u prisutnosti otvorenog plamena. Eksplozivna baterija raspršuje krhotine i kemikalije. Ako ste tome izloženi, odmah se isperite s vodom.
- **Ne punite uređaj na baterije u vlažnim ili mokrim mjestima.** Tako ćete izbjeći opasnost od strujnog udara.

- **Za najbolje rezultate, bateriju proizvođača punite na lokaciji na kojoj je temperatura viša od 10°C, ali manja od 38°C.** Kako biste smanjili rizik od opasnih tjelesnih ozljeda, ne pohranjujte uređaj vani ili u vozilu.
- **Pod ekstremnim uvjetima korištenja ili temperaturom, može doći do curenja baterije.** Ako tekućina dođe u dodir s vašom kožom odmah je isperite sa sapunicom. Ako tekućina dospje u vaše oči, isperite ih čistom vodom najmanje 10 minuta, potom odmah potražite liječničku pomoć. Slijedite li ovo pravilo smanjit ćete opasnost od ozbiljnih ozljeda.
- **Nemojte koristiti bateriju sklop koja je oštećena ili modificirana.** Oštećene ili modificirane baterije mogu imati nepredvidivo ponašanje, što može dovesti do požara, eksplozije ili rizika od ozljede.
- **Ne modificirajte i nemojte pokušavati popraviti oštećenu bateriju.**
- **Nemojte izlagati baterijski sklop ili alat vatri ili visokoj temperaturi.** Izlaganje vatri ili temperaturi višoj od 130°C može dovesti do eksplozije.
- **Slijedite sve upute za punjenje i nemojte puniti bateriju ili alat na temperaturama izvan temperaturnog raspona specificiranog u uputama.** Nepravilno punjenje ili punjenje na temperaturama izvan specificiranog raspona može oštetiti bateriju i povećati rizik od požara.

TRANSPORTIRANJE LITIJUMSKIH BATERIJA

Transportirajte bateriju u skladu s lokalnim i nacionalnim pravilima i zakonima.

Slijedite sve specijalne zahtjeve na pakiranju i naljepnicama prilikom transporta baterije od treće strane. Osigurajte da baterija ne može doći u kontakt s drugim baterijama ili provodnim materijalima tijekom transporta tako da zaštitite izložene priključke s izolacijom, kapticama koje ne provode energiju ili trakom. Nemojte transportirati baterije koje su polomljene ili cure. Provjerite kod kompanije koja transportira za daljnju pomoć.

BATERIJE

Baterije uređaja koje nisu korištene neko vrijeme treba ponovno napuniti prije korištenja.

Temperature koje prelaze 50 °C (122 °F) smanjuju performanse baterije. Izbjegavajte dugotrajno izlaganje toplini ili sunčevoj svjetlosti (opasnost od pregrijavanja).

Morate održavati čistoću kontakata punjača i baterijskih sklopova.

Za optimalni životni vijek, bateriju nakon korištenja ponovno potpuno napunite

Kako biste postigli najdulji mogući životni vijek baterije, nakon punjenja bateriju uklonite iz punjača.

U slučaju skladištenja baterijskog sklopa dužeg od 30 dana:

- Baterije skladištite na temperaturi ispod 27°C i zaštićene od vlage.
- Baterije skladištite u stanju napunjenosti od 30%-50%.
- Svakih šest mjeseci skladištenja, bateriju napunite kao i obično.

ZAŠTITA BATERIJSKOG SKLOPA

Baterijski sklop posjeduje zaštitu od preopterećenja koja ga štiti od preopterećenja i osigurava mu dugotrajnost. U uvjetima krajnjeg naprezanja, elektronika baterije automatski isključuje proizvod. Za ponovno pokretanje, isključite pa ponovno uključite proizvod. Ako se proizvod ponovno ne pokrene, baterijski sklop je možda potpuno ispražnjen. U tom ga se slučaju mora napuniti u punjaču baterije.

PREOSTALE OPASNOSTI

Čak i kad je proizvod korišten kao što je prethodno opisano, još uvijek nije moguće potpuno isključiti ostale čimbenike opasnosti. Može doći do sljedećih opasnosti prilikom korištenja i operater mora obratiti posebnu pozornost kako bi izbjegao sljedeće:

- Proizvod koristite samo za njegovu predviđenu namjenu. Nemojte mijenjati ili modificirati jedinicu prema originalnom dizajnu ili funkciji.
- Uvijek imajte na umu da pogrešno i nepravilno rukovanje s ovim alatom može dovesti do vaših i ozljeda drugih.
- Proizvod nikada ne ostavljajte bez nadzora dok je crijevo spojeno na alat.
- Nemojte nastaviti koristiti alat ili crijevo koje ispušta zrak ili ne funkcionira pravilno.
- Opasnost od prsnuća.
 - Regulator nemojte namještati tako da izlazni tlak bude veći nego označeni maksimalni tlak priključka.
- Tijekom rada motora i cilindra nastaju visoke temperature. Dodirivanje metalne površine može dovesti do teških opekline.
 - Zračni kompresor uvijek držite podalje od radnih područja.
- Ozljede uzrokovane bukom
 - Nosite zaštitu za sluh.
- Plin iz zračnog kompresora može izbacivati prljavštinu, krhotine, rastresite krute čestice i male predmete velikom brzinom. To može rezultirati bacanjem predmeta u oči ili drugim mogućim teškim ozljedama.
 - Dok radite s različitim alatima uvijek nosite prikladnu osobnu zaštitnu opremu.

UPOZNAJTE SVOJ PROIZVOD

Pogledajte stranicu 195.

1. Nosači za omatanje crijeva
2. Brza spojnica
3. PCL muška spojnica brzog protoka od 1/4" BSP
4. Mjerač tlaka u spremniku
5. Gumb regulatora tlaka
6. Mjerač za regulaciju tlaka
7. Ručka za nošenje
8. Sigurnosni ventil
9. Sklopka za Uklj./isklj. (ON/OFF)
10. Baterija
11. Ispusni ventil
12. Gumb za resetiranje

RASPAKIRAVANJE

Pažljivo pregledajte alat kako biste se uvjerali u to da tijekom transporta i isporuke nije došlo do loma ili oštećenja proizvoda.

Nemojte bacati ambalažu sve dok pažljivo ne pregledate alat i njime ne izvršite nekoliko uspješnih rezanja.

⚠ UPOZORENJE

Ako je bilo koji od dijelova oštećen ili nedostaje, nemojte koristiti proizvod sve dok se taj dio ne zamijeni. Pokretanje i korištenje ovog proizvoda s oštećenim dijelovima ili bez dijelova može dovesti do teških tjelesnih ozljeda.

⚠ UPOZORENJE

Nemojte pokušavati modificirati ovaj alat ili izraditi dodatni pribor koji nije preporučen za korištenje uz ovaj alat. Svaki takav dodatak ili modifikacija je pogrešna uporaba i može rezultirati opasnim stanjem dovodeći do mogućih ozbiljnih osobnih ozljeda.

⚠ UPOZORENJE

Da biste spriječili nehotično pokretanje koje bi moglo uzrokovati ozbiljne ozljede, uvijek uklonite baterije iz proizvoda prilikom sastavljanja dijelova.

RAD

PRIPREMA

Pričvršćivanje/odvajanje crijeva za zrak

Pogledajte stranicu 196.

NAPOMENA: Ako se pri radu primjenjuju tlakovi veći od 7 bar (102 psi), opskrbna crijeva trebala bi biti opremljena sigurnosnim užetom, npr. čeličnim užetom.

1. Uvjerite se da je sklopka za uključivanje/isključivanje u položaju ISKLJ. (O) i da je baterija odvojena.
2. Izvucite gumb za regulaciju tlaka prema van kako biste omogućili namještanje. Zakrenite gumb za regulaciju tlaka do kraja u smjeru suprotnom od kretanja kazaljki sata.
3. Provjerite je li izlazni tlak na nula bara.
4. Zračno crijevo s konektorom pričvrstite na brzu spojnicu promjera 6,35 mm (1/4 in.) na zračnom kompresoru. Konektor obavezno potpuno ugurajte u spojnicu tako da manšeta na spojnici skoči prema naprijed i zaključa konektor na njegovu mjestu.

Za odvajanje crijeva za zrak ili zračnog alata:

1. Izvucite gumb za regulaciju tlaka prema van kako biste omogućili namještanje. Zakrenite gumb za regulaciju tlaka do kraja u smjeru suprotnom od kretanja kazaljki sata.
2. Provjerite je li izlazni tlak na nula bara.
3. Povucite unatrag na otpusnoj košuljici na spojnici za brzi priključak od 6.35 mm. Čvrsto uhvatite konektor crijeva koji je utaknut u brzu spojnicu i izvucite ga.



Spajanje/odvajanje baterija

1. Uvjerite se da je sklopka za uključivanje/isključivanje u položaju ISKLJ. (O).
2. Umetnite bateriju u priključak za bateriju.
3. Prije početka rada provjerite jesu li jezičci na obim stranama baterije nasjeli u mjesto i da li je baterija učvršćena na proizvodu.
4. Za uklanjanje baterije otpustite jezičke.
5. Cjelovite upute za punjenje potražite u priručnicima za rukovanje baterijom i punjačem.

UPOTREBA ZRAČNOG KOMPRESORA

⚠ OPASNOST

Ne rastavljajte ventile za pražnjenje spremnika ni sigurnosni ventil dok se u spremniku nalazi zrak. Ispustite zrak iz spremnika za zrak. Ako ne otpustite tlak iz spremnika za zrak, moglo bi doći do eksplozije i/ili ozbiljne ozljede.

⚠ UPOZORENJE

Uvijek nosite zaštitna sredstva za oči s bočnim štيتnicima. Nepoštivanje ovog upozorenja može dovesti do prskanja stranih tijela u vaše oči i prouzročiti teške ozljede oka.

⚠ UPOZORENJE

Upotrebljavajte samo dijelove alata i dodatnu opremu koje je preporučio proizvođač. Uporaba dijelova i dodatne opreme koje nije preporučio proizvođač može dovesti do teških ozljeda.

⚠ UPOZORENJE

Nemojte priključivati nikakve alate na otvoreni kraj crijeva dok se postupak za pokretanje ne završi.

⚠ UPOZORENJE

Uvijek uklonite bateriju iz alata kad sklapate dijelove, vršite podešavanja, čistite ili kad se alat ne koristi. Uklanjanje baterije sprječava slučajno pokretanje koje može dovesti do ozbiljne osobne ozljede.

⚠ UPOZORENJE

Nemojte koristiti u okruženju koje je prašnjavo ili na drugi način kontaminirano. Upotrebom zračnog kompresora u ovoj vrsti okruženja može doći do oštećenja proizvoda.

Namještanje tlaka zraka

Pogledajte stranicu 197.

1. Uvjerite se da je sklopka za uključivanje/isključivanje u položaju ISKLJ. (O) i da je baterija izvađena.
2. Spojite bateriju na proizvod.
3. Pritisnite sklopku za uključivanje/isključivanje u položaj UKLJ. (I).

4. Izvucite gumb za regulaciju tlaka prema van kako biste omogućili namještanje.
5. Zakrenite gumb za regulaciju tlaka na željeni tlak. Okretanje gumba u smjeru kretanja kazaljke na satu povećava tlak zrak na izlazu. Okretanje u smjeru suprotnom od kretanja kazaljki na satu smanjuje tlak zraka na izlazu. Pritisnite gumb za regulaciju tlaka kako biste onemogućili daljnje namještanje.
6. Potom možete započeti s upotrebom pneumatskog alata pridržavajući se svih sigurnosnih mjera opreza navedenih u ovom priručniku i proizvođačevih uputa u priručniku za zračni alat.

⚠ UPOZORENJE

Pneumatski alati možda će trošiti više zraka nego što ga ovaj zračni kompresor može osigurati. Ručno provjerite alat kako biste izbjegli oštećenja na alatu ili opasnost od osobnih ozljeda.

7. Pomoću regulatora tlaka kontrolirajte količinu protoka zraka. Zakretanjem gumba do kraja u smjeru suprotnom od kretanja kazaljki sata potpuno će se zaustaviti protok zraka.
NAPOMENA: Uvijek koristite minimalnu količinu tlaka potrebnu za vašu primjenu. Korištenje većeg tlaka od potrebnog će brže isprazniti zrak iz spremnika i dovesti do češćeg uključivanja ciklusa.
8. Za isključivanje zračnog kompresora pritisnite sklopku napajanja u položaj ISKLJ. (O).

NAPOMENA: Kada je kompresor u položaju UKLJ. (I), zračni će se kompresor automatski uključiti kada se tlak zraka u predviđenom spremniku spusti ispod unaprijed postavljenog graničnog tlaka. Isto će se tako ponovno isključiti kada se postigne željeni tlak.

⚠ UPOZORENJE

Nikada ne premašujte nazivni tlak zračnog alata koji je preporučio proizvođač. Kada se zračni kompresor upotrebljava kao uređaj za napuhavanje, uvijek poštujujte smjernice za maksimalni tlak napuhavanja koji navodi proizvođač proizvoda za napuhavanje.

⚠ UPOZORENJE

Prije zamjene zračnih alata ili odvajanja crijeva s izlaza zraka uvijek se uvjerite da je sklopka za uključivanje/isključivanje u položaju ISKLJ. (O) i da manometar na regulatoru pokazuje nulu. Nepoštivanje ove upute može dovesti do mogućih ozbiljnih osobnih ozljeda.

9. Po dovršetku uvijek ispraznite spremnik i izvadite bateriju. Proizvod nikada ne ostavljajte bez nadzora dok radi ili dok je spojen na bateriju.

PRAŽNENJE SPREMNIKA ZA ZRAK

Pogledajte stranicu 198.

Spremnik za zrak kompresora treba se svakodnevno prazniti kako bi se spriječila korozija spremnika i vlaga zadržala izvan spremnika za zrak.





Za pražnjenje spremnika za zrak:

1. Uvjerite se da je sklopka za uključivanje/isključivanje u položaju ISKLJ. (O).
2. Izvadite baterijski sklop.
3. Povlačite prsten na ventilu za otpuštanje tlaka dok manometar spremnika ne pokaže manje od 1,4 bar (20 PSI).
4. Otpustite prsten.
5. Zakrenite ručicu ventila za pražnjenje u smjeru suprotnom od kretanja kazaljki sata kako biste ispustili vlagu.
NAPOMENA: Kondenzat je zagađeni materijal i treba se zbrinuti u skladu s lokalnim propisima.
6. Zakrenite ručicu ventila za pražnjenje u smjeru kretanja kazaljki sata kako biste zatvorili ventil.

GUMB ZA RESETIRANJE

Kada struja koja se dovodi u motor zračnog kompresora premaši propisanu vrijednost, zračni će se kompresor automatski isključiti.

Za resetiranje zračnog kompresora:

1. Izvadite baterijski sklop.
2. Isključite alat.
3. Pričekajte tri minute da se motor ohladi.
4. Pritisnite tipku za resetiranje.
5. Spojite bateriju na proizvod.
6. Uključite uređaj.

ZAMJENA SPOJNICE

Pogledajte stranicu 199.

1. Uvjerite se da je sklopka za uključivanje/isključivanje u položaju ISKLJ. (O).
2. Izvadite baterijski sklop.
3. Povlačite prsten na ventilu za otpuštanje tlaka dok manometar spremnika ne pokaže manje od 1,4 bar (20 PSI).
4. Otpustite prsten.
5. Otpustite i izvadite spojnicu ključem ju zakrećući u smjeru suprotnom od kretanja kazaljki sata.
6. Ključem ugradite novu spojnicu i pritegnite ju u smjeru kretanja kazaljki sata.

TRANSPORT I SKLADIŠTENJE

Pogledajte stranicu 200 - 201.

1. Uvjerite se da je sklopka za uključivanje/isključivanje u položaju ISKLJ. (O).
2. Izvadite baterijski sklop.
3. Pokrenite zračni alat kako biste otpustili tlak zraka u crijevu, a potom uklonite crijevo za zrak i zračni alat. Otpustite zrak povlačenjem ventila za otpuštanje tlaka.
4. Ispustite vodu iz spremnika prema uputama u odjeljku „Pražnjenje spremnika za zrak“.
5. Očistite proizvod suhom krpom.
6. Omotajte crijevo za zrak oko nosača za crijevo.
7. Proizvod nosite držeći ga za ručku.
8. Pohranite zračni kompresor u normalnom radnom položaju na suhom i zaštićenom mjestu.

⚠ UPOZORENJE

Voda će se kondenzirati u spremniku zračnog kompresora dok kompresor radi. Ako voda ostane u spremniku, narušit će integritet spremnika i izazvati koroziju povećavajući opasnost od puknuća.

⚠ UPOZORENJE

Uvijek odvojite crijevo za zrak od alata kada se ne upotrebljavaju ili za vrijeme servisiranja. Alat spojen na crijevo za zrak može se nehotično pokrenuti tijekom održavanja i izazvati teške ozljede!

⚠ UPOZORENJE

Ako se baterija ne izvadi iz zračnog kompresora prije skladištenja, kompresor može neprekidno raditi uzrokujući pregrijavanje, oštećenje kompresora, a možda i požar.

ODRŽAVANJE

OPĆE ODRŽAVANJE

- Prilikom čišćenja plastičnih dijelova izbjegavajte koristiti kemijska sredstva. Većina plastika je podložna oštećenju od različitih vrsta komercijalnih kemijskih sredstava za čišćenje i mogu se oštetiti prilikom njihovog korištenja. Za uklanjanje prljavštine, prašine, ulja, masnoće itd., koristite čistu krpu.
- Nikada ne dopustite kontakt plastičnih dijelova s tekućinom za kočnice, benzinom, proizvodima na bazi petroleja, sredstvima za odmašćivanje, idr. Kemiikalije mogu oštetiti, oslabiti ili uništiti plastiku što može dovesti do ozbiljnih osobnih ozljeda.
- Prije čišćenja ili popravka proizvoda uvijek potpuno ispuštite tlak, izvadite bateriju i pustite da se proizvod ohladi tako da ga možete dotaknuti.
- Nemojte modificirati proizvod ni na koji način ili koristiti dodatni pribor koji nije odobren od strane proizvođača. Može doći u pitanje vaša i sigurnost ostalih.
- Nemojte koristiti proizvod ako neki prekidači, štitnici ili druge funkcije ne rade po namjeni. Vratite u ovlaštenu servisni centar radi profesionalnog popravka ili zamjene.
- Prije namještanja, podmazivanja ili radova na održavanju proizvoda uvijek provjerite je li baterijski sklop izvađen iz proizvoda.
- Prije i nakon svakog korištenja, provjerite proizvod na oštećenja ili polomljene dijelove. Držite proizvod u vrhunskom radnom stanju na način da odmah zamjenjujete dijelove s rezervnim dijelovima odobrenim od proizvođača.

⚠ UPOZORENJE

Radi veće sigurnosti i pouzdanosti, sve popravke treba izvoditi ovlaštenu servisni centar.

EN
FR
DE
ES
IT
NL
PT
DA
SV
FI
NO
RU
PL
CS
HU
RO
LV
LT
ET
HR
SL
SK
BG
UK
TR
EL



ZAŠTITA OKOLIŠA



Sirovine reciklirajte, umjesto da ih odlažete kao otpad. Kako biste zaštitili okoliš, alat, dodatke i ambalažu treba odvojeno baciti u otpad.

SIMBOLI NA PROIZVODU



Sigurnosno upozorenje



Molimo da pažljivo pročitate upute prije pokretanja stroja.



CE usklađenost



EurAsian znak konformnosti



Ukrajinska oznaka za sukladnost



Uvijek nosite zaštitne naočale kad koristite stroj.



Nosite štitičke za uši.



Za korištenje u zatvorenom



Upozorenje na vlagu. Nemojte izlagati kiši. Skladištite u zatvorenom.



Opasno za udisanje. Zrak dobiven izravno iz zračnog kompresora nikada se ne bi smio upotrebljavati za dovod zraka za ljudsku potrošnju.



Opasnost od prsnuća. Regulator nemojte namješati tako da izlazni tlak bude veći nego označeni maksimalni tlak priključka. Ne koristite ga pod tlakom većim od 10 bara.



Ovaj se kompresor može pokrenuti bez upozorenja.



Rizik od požara ili eksplozije. Područje raspršivanja mora biti dobro ventilirano. Nemojte pušiti tijekom raspršivanja ili raspršivati gdje postoje iskre ili plamen. Držite kompresor što je moguće dalje od područja raspršivanja. Držite kompresor najmanje 10 m dalje od područja raspršivanja i svih eksplozivnih para.



Regulirani tlak



Tlak u spremniku



Otpadni električni proizvodi ne treba da se odlažu s otpadom iz domaćinstva. Molimo da reciklirate gdje je to moguće. Potražite savjet od lokalnih vlasti ili prodavca kako reciklirati.

SIMBOLI U PRIRUČNIKU



Dijelovi ili pribor prodan odvojeno



Napomena



Upozorenje

Sljedeće riječi upozorenja i značenja imaju namjeru da objasne nivo rizika u vezi s ovim proizvodom.

OPASNOST

Naznačuje prijetecu opasnu situaciju, koja ako se ne izbjegne dovodi do smrti ili ozbiljnih ozljeda.

UPOZORENJE

Naznačuje potencijalno opasnu situaciju, koja ako se ne izbjegne dovodi do smrti ili ozbiljnih ozljeda.

OPREZ

Naznačuje potencijalno opasnu situaciju, koja ako se ne izbjegne dovodi do lakših ili srednjih ozljeda.

OPREZ

(Bez simbola upozorenja sigurnosti) Označava situaciju koja može izazvati oštećenje imovine



Zračni kompresor je zasnovan za zagotavljanje najvišje ravni varnosti, učinkovitosti in zanesljivosti delovanja.

NAMEN UPORABE

Zračni kompresor je zasnovan izključno za dovajanje zraka pod tlakom. Uporaba za stiskanje plinov ni dovoljena.

Izdelek je zasnovan za uporabo orodja na zračni pogon in polnjenje izdelkov pod visokim tlakom, kot so pnevmatike avtomobilov in koles.

Izvijač lahko uporabljajo samo odrasle osebe, ki so prebrale in razumejo navodila ter opozorila v tem priročniku ter so sposobne prevzeti odgovornost za svoja dejanja.

Izdelek se lahko uporablja le v zaprtih prostorih.

Izdelka ne uporabljajte na noben način, ki ni predpisan za to napravo. Uporaba električnega orodja za namene, ki so drugačni od tistih, za katere je bilo orodje zasnovano, lahko povzroči nevarne situacije.

SPLOŠNA VARNOSTNA OPOZORILA

⚠ OPOZORILO

Preberite vsa varnostna opozorila in navodila. Neupoštevanje opozoril in navodil lahko privede do električnega udara, požara in/ali resnih poškodb.

Vsa opozorila in vsa navodila shranite za bodočo referenco.

⚠ OPOZORILO

Pri uporabi električnih orodij morate vedno upoštevati osnovna varnostna opozorila, saj le tako lahko zmanjšate nevarnost požara, električnega udara ali telesnih poškodb. Pred uporabo tega izdelka preberite vsa navodila in shranite priročnik.

VARNOST NA DELOVNEM PROSTORU

- Delovno območje naj bo vedno čisto. Neurejeni prostori in delovne mize kar kličejo nezgodo. Med delovanjem na orodju ne puščajte drugih orodij ali kosov lesa.
- Ne uporabljajte izdelka v nevarnem okolju. Ne uporabljajte električnih orodij v vlažnem ali mokrem prostoru in jih ne izpostavljajte dežju. Delovno območje naj bo vedno dobro osvetljeno.
- Otroci in opazovalci naj ne bodo v bližini. Vsi opazovalci morajo nositi zaščitna očala in stati na varnostni razdalji od delovnega območja. Obiskovalci naj se ne dotikajo delujočega izdelka.
- Nikoli ne uporabljajte v eksplozivnem ozračju. Običajno iskenje motorja lahko vname pline.

ELEKTRIČNA VARNOST

- Če kakšna od električnih komponent izdelka začne nepravilno delovati, izklopite stikalo za vklop, odstranite baterijski vložek iz izdelka in ga pred nadaljevanjem uporabe izdelka znova namestite.
- Električnih orodij ne izpostavljajte dežju ali vlažnim pogojem. Voda v električnem orodju znatno poveča tveganje električnega udara.

OSEBNA VARNOST

- Bodite pozorni in imejte nadzor. Bodite pozorni kaj delate in uporabljajte občutek. Ne upravljajte z orodjem, ko ste utrujeni. Ne delajte z naglico.
- Bodite primerno oblečeni. Ne nosite oblečenih ohlapnih oblačil, rut ali nakita, saj bi se lahko ujelo v premikajoče se dele orodja. Pri delih zunaj priporočamo uporabo gumijastih rokavic in nedrseče obutve. Če imate dolge lase, nosite tudi zaščitno pokrivalo.
- Vedno nosite zaščitna očala s stranskimi ščitniki. Vsakdanja očala imajo samo leče, ki so odporne na udarce; takšna očala NISO zaščitna očala.
- Zaščitite pljuča. Če se pri delu dviguje prah, nosite tudi zaščitno za obraz zirooma protiprašno masko.
- Zaščitite sluh. Med dolgotrajno uporabo nosite zaščitno za sluh.
- Ne segajte preko dosega. Pazite, da stojite stabilno in da imate ravnotežje.
- Ostranite nastavljive ključe in zatiče. Pred vklopom orodja preverite, da so zatiči in nastavljivi ključi odstranjeni iz orodja.

UPORABA IN NEGA ZRAČNEGA KOMPRESORJA

- Ne prekoračite dovoljeno raven tlak pri kateri koli sistemski komponenti.
 - Zaščitite oznake materiala in ravni zraka pred poškodbami. Ne približujte cevke ostrim predmetom, različnim kemikalijam, olju, topilom in mokrim tlom.
 - Pred vsako uporabo preverite ali imajo cevi kakšne šibke ali obrabljene dele in pri tem poskrbite, da so priključki zaščiteni. Ne uporabljajte naprave, če odkrijete nepravilnost. Kupite novo cev ali obvestite pooblaščen servisni center, da vam jo pregleda ali popravi.
 - Počasi sprostite tlak v sistemu. Prah in odpadki lahko poškodujejo napravo.
 - Kompresorje, ki jih ne uporabljate, shranite izven dosega otrok in drugih neusposobljenih oseb. Zračni kompresorji so v rokah neusposobljenih uporabnikov nevarni.
 - Zračne kompresorje skrbno vzdržujte. Sledite navodilom za vzdrževanje. Pravilno vzdrževana orodja omogočajo lažji nadzor.
 - Preverite, če so gibljivi deli napačno pritrjeni ali poškodovani ali kar koli drugega, kar bi lahko vplivalo na delovanje orodja. Če se orodje poškoduje, ga pred ponovno uporabo popravite. Veliko nesreč se zgodi zaradi slabega vzdrževanja orodij.
 - Zunanost izdelka vzdržujte suho, čisto in brez madežev olja ter masti. Pri čiščenju vedno uporabite čisto krpo. Za čiščenje enote nikoli ne uporabljajte zavornih tekočin, bencina, izdelkov na osnovi petroleja ali katerih koli močnih topil. Če boste sledili temu pravilu, boste zmanjšali tveganje poškodb plastičnega ohišja.
- ### SERVIS
- Ob servisiranju uporabljajte samo identične nadomestne dele. Uporaba drugih delov lahko pomeni tveganje ali povzroči škodo na izdelku.

EN
FR
DE
ES
IT
NL
PT
DA
SV
FI
NO
RU
PL
CS
HU
RO
LV
LT
ET
HR
SL
SK
BG
UK
TR
EL





Shranite ta navodila. Redno se sklicujte na njih in jih uporabljajte pri proučevanju drugih uporabnikov. Če napravu komu posodite, priložite zraven tudi ta navodila.

VARNOSTNA OPOZORILA ZA ZRAČNI KOMPRESOR

- Spoznajte svoj izdelek. Natančno preberite uporabniški priročnik. S pomočjo tega priročnika spoznajte dodatke naprave in njihove omejitve ter specifične potencialne nevarnosti, ki so povezane s tem orodjem. Če boste upoštevali vsa pravila, boste zmanjšali možnost električnega udara, požara in hudih telesnih poškodb.
- Vsak dan po uporabi posušite vlago v zračnem rezervoarju. Če izdelka nekaj časa ne boste uporabljali, je najbolje, da iztočni ventil pustite odprt do naslednje uporabe. S tem omogočite, da se vlaga povsem posuši in pripomorete k preprečevanju nastajanja korozije v rezervoarju.
- Nevarnost požara ali eksplozije. Ne škropite vnetljivih tekočin v zaprtem prostoru. Prostor za razprševanje mora biti dobro zračen. Ne kadite, medtem ko razpršujete barvo ali ne škropite v prostoru, kjer je možnost vžiga. Izdelek naj bo najmanj 10 m (33 čevljev) oddaljen od območja škropljenja in kakršnihkoli eksplozivnih hlapov.
- Nevarnost poka. Regulatorja ne nastavite tako, da bi izhodni tlak presegel najvišji navedeni tlak dodatka. Ne uporabljajte za tlak, ki presega 8,3 barov.
- Za zmanjšanje nevarnosti električnega udara izdelka ne izpostavljajte dežju. Izdelek hranite v zaprtem prostoru.
- Vsako leto preverite, ali so na zračnem rezervoarju rja, luknjice ali druge nepravilnosti, ki bi lahko povzročile, da izdelek postane nevaren.
- Nikoli ne varite ali vrtajte lukenj v zračni rezervoar.
- Preverite, da ni ovir ali nevarnosti za poškodbo cevi. Zaradi zapletenih ali zavozlanih cevi lahko izgubite ravnotežje in se poškodujete.
- Izdelek uporabljajte izključno za predvidene namene. Ne spreminjajte namembnost ali funkcijo naprave.
- Zavedajte se, da lahko z nepravilno ali napačno uporabo orodja ogrozite sebe in ljudi v okolici.
- Izdelka s priključeno zračno cevko na orodje nikoli ne pustite nenadzorovanega.
- Zračnega orodja nikoli ne usmerjajte proti sebi ali drugim.
- Ne delajte s tem orodjem, če ni opremljeno s čitljivo opozorilno oznako.
- Ne uporabljajte orodja ali cevi, ki pušča ali ne deluje pravilno.
- Pred nastavljanjem in servisiranjem izdelka ali ko izdelek ni v uporabi, vedno odklopite dovod zraka in odstranite baterijski vložek.
- Ne vlecite ali nosite izdelka za cev.
- Vaše orodje morda zahteva večjo porabo zraka, kot jo lahko zagotovi izdelek.
- Vedno upoštevajte vsa varnostna navodila, ki jih priporoča proizvajalec vašega zračnega orodja, in vsa varnostna pravila za zračni kompresor. Če sledite

temu navodilu, boste zmanjšali tveganje pred hudimi poškodbami.

- Nikoli ne usmerite curka kompresiranega zraka v ljudi ali živali. Bodite pazljivi in prahu ter umazanije ne pihajte vase ali v druge osebe v okolici. Če sledite temu navodilu, boste zmanjšali tveganje pred hudimi poškodbami.
- Ne uporabljajte izdelka za pršenje kemikalij. Če vdihavate strupene hlape, lahko pride do poškodb pljuča. V prašnem okolju in pri nanašanju barve uporabite dihalno masko. Ne prenašajte naprave, medtem ko barvate.
- Redno pregledujte kable in cevi orodij in če so poškodovane, jih dajte v popravilo na najbližji pooblaščen servisni center. Zmeraj morate vedeti, kje se nahaja kabel. Če boste ravnali tako, boste zmanjšali možnost električnega udara ali nastanka požara.
- Preverite, če so gibljivi deli napačno pritrjeni ali poškodovani ali kar koli drugega, kar bi lahko vplivalo na delovanje orodja. Če se orodje poškoduje, ga pred ponovno uporabo popravite. Veliko nesreč se zgodi zaradi slabega vzdrževanja orodij.
- Če je treba fiksne ščitnike odstraniti zaradi rednega vzdrževanja ali popravil, morajo njihovi pritrilni sistemi ob odstranitvi ščitnikov ostati pritrjeni na ščitnik ali stroj.
- Orodja nikoli ne shranjujte s priključeno zračno cevko. Shranjevanje orodja, priključenega na dovod zraka, lahko povzroči nepričakovano delovanje, sprožitev ali premikanje in morebitno hudo telesno poškodbo.
- Zaščitite pljuča. Če se pri delu dviguje prah, nosite tudi zaščito za obraz oziroma protiprašno masko. Če sledite temu navodilu, boste zmanjšali tveganje pred hudimi poškodbami.
- Shranite ta navodila. Redno se sklicujte nanje in jih uporabljajte pri poučevanju drugih morebitnih uporabnikov te naprave. Če napravu komu posodite, priložite zraven tudi ta navodila.
- S strojem delajte prek krmilne plošče.
- Ko stroj deluje, se veliko delov močno segreva. Uporabite zaščitno opremo, kot so rokavice, da se zaščitite proti poškodbam zaradi visokih temperatur.
- Izdelek ni namenjen za uporabo s strani oseb (vključno z otroki) z zmanjšanimi fizičnimi, čutilnimi ali duševnimi sposobnostmi oziroma nezadostnimi izkušnjami in znanjem. Otroci morajo biti pod nadzorom, da se zagotovi, da se ne igrajo z izdelkom.

VARNOSTNA OPOZORILA ZA BATERIJO IN POLNILNIK

⚠ OPOZORILO

V izogib, s kratkim stikom povzročene nevarnosti požara, poškodb ali okvar na proizvodu, orodja, izmenljivega akumulatorja ali polnilne naprave ne potaplajte v tekočine in poskrbite, da ne bo prihajalo do vdora tekočin v naprave in akumulatorje. Korozivne ali prevodne tekočine, kot so slana voda, določene kemikalije in belila ali proizvodi, ki le ta vsebujejo, lahko povzročijo kratek stik.





EN
FR
DE
ES
IT
NL
PT
DA
SV
FI
NO
RU
PL
CS
RO
HU
LV
LT
ET
HR
SL
SK
BG
UK
TR
EL

- **Akumulator polnite samo s polnilcem, ki ga predpiše proizvajalec.** Polnilec, ki praviloma ustreza eni vrsti baterij, je morda nevaren in škodljiv, če z njim polnite drugo vrsto baterij.
- **Električno orodje uporabljajte izključno z zanj namenjenimi akumulatorskimi vložki.** Uporaba drugih akumulatorjev lahko povzroči nevarnost poškodbe in požara.
- **Ko baterije ne uporabljate, pazite, da bo odmaknjena od kovinskih predmetov, kot so papirne sponke, kovanci, ključi, žebli, vijaki ali drugih majhni kovinski predmeti, ki bi lahko povzročili povezavo med obema terminaloma.** Povzročitev kratkega stika priključkov akumulatorja lahko povzroči opekline ali požar.
- **Ob grobi uporabi lahko iz akumulatorja brzigne tekočina; ne dotikajte se je. Če se tekočine slučajno dotaknete, jo sperite z vodo. Če vam tekočina pride v oči, poiščite tudi zdravniško pomoč.** Tekočina, ki brzigne iz akumulatorja, lahko povzroči draženje ali opekline.
- **Baterijskih izdelkov ni potrebno vključiti v električno vtičnico, zato so vedno v stanju delovanja. Pazite na morebitne nevarnosti, kadar izdelka ne uporabljate ali kadar menjavate dodatke.** Če boste upoštevali vsa pravila, boste zmanjšali možnost električnega udara, požara in hudih telesnih poškodb.
- **Baterijskih izdelkov ali baterij ne postavljajte v bližino ognja ali vročine.** To zmanjša nevarnost eksplozije ter telesnih poškodb.
- **Baterij ne uničite, mečite ali poškodujte. Baterije ali polnilnika, ki je padel ali prejel močan udarec, ne uporabljajte.** Poškodovana baterija lahko eksplodira. Poškodovane ali izpraznjene baterije takoj odstranite, kot je predpisano.
- **Blizu vira vžiga, kot je močan reflektor, baterija lahko eksplodira.** Za zmanjšanje nevarnosti resnih telesnih poškodb nikoli ne uporabljajte baterijsko napajanih naprav blizu odprtega ognja. Baterija ob eksploziji lahko odda leteče delce in kemične snovi. Če pridete v stik z njimi, takoj izperite z vodo.
- **Baterij ne polnite v vlažnih ali mokrih pogojih.** Če boste upoštevali vsa pravila, boste zmanjšali možnost električnega udara.
- **Za optimalne rezultate baterijski izdelek uporabljajte na mestu, kjer temperatura ni nižja od 10 °C in višja od 38 °C. Za zmanjšanje nevarnosti telesnih poškodb izdelka ne shranjujte na prostem ali v vozilih.**
- **V ekstremnih temperaturnih pogojih lahko pride do puščanja baterij. Če tekočina pride v stik z vašo kožo, jo takoj izperite z milom in vodo. Če tekočina pride v stik z očmi, jih najmanj 10 minut izpirajte s čisto vodo, nato pa takoj poiščite zdravniško pomoč. Če sledite temu navodilu, boste zmanjšali tveganje pred hudimi poškodbami.**
- **Ne uporabljajte poškodovanega ali spremenjenega baterijskega vložka.** Poškodovani ali spremenjeni akumulatorji lahko delujejo na nepredvidljiv način, kar

lahko povzroči požar, eksplozijo ali nevarnost telesne poškodbe.

- **Poškodovanega baterijskega vložka ne spreminjajte in ne poskušajte popravljati.**
- **Akumulatorskega vložka ali orodja ne izpostavljajte ognju ali previsokim temperaturam.** Ob izpostavljenosti ognju ali temperaturam, višjim od 130°C, lahko pride do eksplozije.
- **Dosledno upoštevajte navodila za polnjenje in ne polnite akumulatorskega vložka oziroma orodja izven temperaturnega razpona, predpisanega v navodilih.** Ob nepravilnem polnjenju oziroma polnjenju pri temperaturah izven predpisanega razpona se lahko poškoduje akumulator in poveča nevarnost požara.

PREVAŽANJE LITIJEVIH AKUMULATORJEV

Akumulator prevažajte v skladu z lokalnimi in državnimi uredbami in predpisi.

Upoštevajte vse posebne zahteve glede pakiranja in označevanja, kadar prevoz opravlja tretja oseba. Zagotovite, da akumulatorji med prevozom ne morejo priti v stik z drugimi akumulatorji ali prevodnimi materiali, tako da zaščitite izpostavljene konektorje z neprevodnimi izolacijskim pokroveci ali trakom. Ne prevažajte poškodovanih akumulatorjev oz. akumulatorjev, ki puščajo. Za nadaljnje informacije se obrnite na posredništvo.

BATERIJE

Baterijske vložke, ki jih nekaj časa niste uporabljali, je treba pred uporabo napolniti.

Temperature nad 50°C (122°F) zmanjšajo učinkovitost baterij. Preprečite dolgotrajno izpostavljenost toploti ali sončni svetlobi (nevarnost pregretja).

Kontakti polnilcev in baterijskih vložkov morajo biti vedno čisti.

Za zagotovitev optimalne življenjske dobe baterijskih vložkov jih je treba po uporabi povsem napolniti.

Za zagotovitev najdaljše možne življenjske dobe baterijskega vložka ga odstranite iz polnilca, ko je povsem napolnjen.

Shranjevanje baterijskega vložka za dlje kot 30 dni:

- Baterijski vložek shranite v prostoru, kjer je temperatura nižja od 27 °C in ni vlage.
- Baterijske vložke shranjujte napolnjene od 30 do 50 %.
- Baterijski vložek vsakih šest mesecev shranjevanja napolnite kot običajno.

ZAŠČITA BATERIJSKEGA VLOŽKA

Baterijski vložek ima zaščito pred obremenitvijo, ki pripomore k preprečitvi preobremenitve vložka in zagotovitvi dolge življenjske dobe. Elektronski deli vložka v primeru velike obremenitve samodejno izklopijo izdelek. Za ponovni zagon izdelek izklopite in ga znova vklopite. Če se izdelek ne zažene znova, se je baterijski vložek morda povsem izpraznil. V tem primeru ga je treba napolniti v polnilcu baterij.



PREOSTALA TVEGANJA

Nekateri preostalih dejavnikov tveganja ni mogoče povsem odpraviti, tudi če ta izdelek uporabljate v skladu z navodili. Med uporabo se lahko pojavijo nekatere nevarnosti, upravljavca pa naj bo pozoren na naslednje:

- Izdelek uporabljajte izključno za predvidene namene. Ne spreminjajte namembnost ali funkcijo naprave.
- Zavedajte se, da lahko z nepravilno ali napačno uporabo orodja ogrozite sebe in ljudi v okolici.
- Izdelka s priključeno cevko na orodje nikoli ne pustite nenadzorovanega.
- Ne uporabljajte orodja ali cevi, ki pušča ali ne deluje pravilno.
- Nevarnost poka
 - Regulatorja ne nastavite tako, da bi izhodni tlak presegal najvišji navedeni tlak dodatka.
- Med delovanjem motorja in valja se sproščata toplota in visoka temperatura. Če se dotaknete izpostavljenih kovinskih delov, se lahko hudo opečete.
 - Zračnega kompresorja nikoli ne približujte delovnim območjem.
- Poškodbe zaradi hrupa
 - Nosite zaščito za ušesa.
- Plin iz zračnega kompresorja lahko povzroči letenje umazanije, odkruškov, nepritrjenih delcev in majhnih premetov z visoko hitrostjo. To lahko povzroči letenje predmetov v oči ali možnost drugih hudih telesnih poškodb.
 - Med uporabo različnega orodja vedno nosite ustrezno osebno zaščitno opremo.

SPOZNAJTE SVOJ IZDELEK

Glej stran 195.

1. Nosilec za ovijanje cevke
2. Spojka za hitro priključitev
3. Moška visokopretočna spojka PCL 1/4" BSP
4. Merilnik tlaka na rezervoarju
5. Gumb regulatorja za tlak
6. Merilnik tlaka na regulatorju
7. Ročaj
8. Varnostni ventil
9. Stikalo za vklop/izklop
10. Baterija
11. Odvodni ventil
12. Gumb za ponastavitev

RAZPAKIRANJE

Skrbno preglejte napravo, da se prepričate, da med transportom ni prišlo do lomov ali poškodb.

Embalaže ne zavrzite, dokler naprave skrbno ne pregledate in preverite, če pravilno deluje.

⚠ OPOZORILO

Če je kateri koli del poškodovan ali manjka, ne uporabljajte tega izdelka, dokler deli niso zamenjani. Uporaba tega izdelka s poškodovanimi ali manjkajočimi deli lahko povzroči hude telesne poškodbe.

⚠ OPOZORILO

Tega orodja ne spreminjajte in ne izdelujte dodatkov, ki niso priporočljivi za uporabo s tem orodjem. Vsako tako spreminjanje je zloraba in lahko privede do tveganj, ta pa do hudih osebnih poškodb.

⚠ OPOZORILO

Za preprečitev nenamernega zagona, ki bi lahko povzročil hudo telesno poškodbo, pred sestavljanjem delov vedno odstranite baterijski vložek.

DELOVANJE

PRIPRAVA

Priklonitev/odklonitev zračne cevke

Glej stran 196.

OPOMBA: Pri delovanju z uporabo tlaka nad 7 barov (102 psi) morajo biti dovodne cevke opremljene z varnostni žico, npr. žično vrvjo.

1. Prepričajte se, da je stikalo za vklop/izklop v položaju IZKLOP (O) in baterijski vložek odklopljen.
2. Izvlecite gumb za reguliranje tlaka, da omogočite nastavljanje. Gumb za reguliranje tlaka zavrtite do konca v nasprotni smeri urinega kazalca.
3. Preverite, da je izhodni tlak 0 barov.
4. Priključite zračno cevko s priključkom na spojko za hitro priključitev 6,35 mm (1/4 in.) na zračnem kompresorju. Poskrbite, da priključek potisnete povsem v spojko, tj. do ovoja na vzmeteh spojke, da se priključek zaskoči na ustreznem mestu.

Odklonitev zračne cevke ali zračnega orodja:

1. Izvlecite gumb za reguliranje tlaka, da omogočite nastavljanje. Gumb za reguliranje tlaka zavrtite do konca v nasprotni smeri urinega kazalca.
2. Preverite, da je izhodni tlak 0 barov.
3. Potegnite zaščitno kapico na 6,35 mm hitri spojki. Močno primite priključek cevke, ki je priklonjen na spojko za hitro priključitev, in ga izvlecite.

Priklonitev/odstranitev baterijskega vložka

1. Prepričajte se, da je stikalo za vklop/izklop v položaju IZKLOP (O).
2. Vstavite baterijski vložek v prostor za baterijo.
3. Zapaha na vsaki strani baterije se morata zaskočiti na svoje mesto. Pred začetkom dela zagotovite, da je baterija varno nameščena.
4. Odprite zaklep, da odstranite baterijo.
5. Za popolna navodila glede polnjenja glejte uporabniška priročnika za vaš baterijski vložek in polnilce.

UPORABA ZRAČNEGA KOMPRESORJA

⚠ NEVARNOST

Ko je v rezervoarju zrak, ne razstavljajte ventilov za praznjenje rezervoarja ali varnostnega ventila. Izpusnite zrak iz zračnega rezervoarja. Če ne sprostite tlaka iz zračnega rezervoarja, lahko pride do eksplozije in/ali hude telesne poškodbe.



⚠ OPOZORILO

Vedno nosite zaščito za oči, ki ima varovanje tudi s strani. Če tega ne storite, vam lahko v oko prileti predmet in povzroči resno poškodbo.

⚠ OPOZORILO

Ne uporabljajte sestavnih delov ali pribora, ki ga ne priporoča proizvajalec te naprave. Uporaba sestavnih delov ali pribora, ki niso priporočeni, lahko povzroči hude telesne poškodbe.

⚠ OPOZORILO

Ne priklaplajte orodij na cev, dokler se zagon naprave ni zaključil.

⚠ OPOZORILO

Ko sestavljate dele, prilagajate napravo, jo čistite ali ko je ne uporabljate, baterijo vedno odstranite. Če odstranite baterijo, se naprava ne bo mogla zagnati sama od sebe in ne bo povzročila hudih poškodb.

⚠ OPOZORILO

Ne uporabljajte naprave v prašnem ali drugače onesnaženem okolju. Uporaba zračnega kompresorja v tovrstnem okolju lahko poškoduje izdelek.

Nastavljanje zračnega tlaka

Glej stran 197.

1. Prepričajte se, da je stikalo za vklop/izklop v položaju IZKLOP (O) in baterijski vložek odstranjen.
2. Priključite baterijski vložek na izdelek.
3. Stikalo za vklop/izklop pomaknite v položaj za VKLOP (I).
4. Izvlecite gumb za reguliranje tlaka, da omogočite nastavljanje.
5. Zavrtite gumb za reguliranje tlaka na želeni tlak. Za povečanje zračnega tlaka na izhodu obrnite gumb v smeri urinega kazalca. Za zmanjšanje zračnega tlaka na izhodu obrnite gumb v obratni smeri urinega kazalca. Pritisnite gumb za reguliranje tlaka, da onemogočite nastavljanje.
6. Ob upoštevanju vseh varnostnih previdnostnih ukrepov v tem priročniku in navodil proizvajalca v priročniku za zračno orodje lahko zdaj začnete uporabljati zračno orodje.

⚠ OPOZORILO

Zračno orodje morda zahteva večjo porabo zraka, kot jo lahko zagotovi ta zračni kompresor. Preberite navodila za orodje, da preprečite poškodbe orodja in preprečite tveganje telesne poškodbe.

7. Nadzirajte zračni pretok z gumbom regulatorja za tlak. Če gumb zavrtite do konca v nasprotni smeri urinega kazalca, se pretok zraka zaustavi.

OPOMBA: Pri uporabi naprave vedno uporabite najnižji možen tlak. Če uporabite napravo pri višjem tlaku, kot je potrebno, bo poraba zraka v rezervoarju večja in obratovalni cikel naprave pogostejši.

8. Za izklop zračnega kompresorja pomaknite stikalo za vklop v položaj za IZKLOP (O).

OPOMBA: Ko je kompresor v položaju za VKLOP (I), se zračni kompresor samodejno vklopi, ki tlak v določenem zračnem rezervoarju pade pod vnaprej nastavljeno mejo tlaka. Ko se doseže želeni tlak, se izklopi.

⚠ OPOZORILO

Nikoli ne presežite nazivne vrednosti tlaka zračnega orodja, ki jo priporoča proizvajalec. Če ta zračni kompresor uporabljate kot napravo za polnjenje, vedno upoštevajte navodila proizvajalca glede najvišje stopnje napolnitve izdelka, ki ga polnite.

⚠ OPOZORILO

Pred menjavo zračnega orodja ali odstranitvijo cevke iz izhoda za zrak se vedno prepričajte, da je stikalo za vklop/izklop v položaju za IZKLOP (O). Neupoštevanje tega nasveta lahko povzroči hude telesne poškodbe.

9. Ko končate z delom, vedno izpraznite rezervoar in odstranite baterijski vložek. Ko izdelek deluje ali je priključen na baterijski vložek, ga imejte vedno pod nadzorom.

PRAZNIJENJE ZRAČNEGA REZERVOARJA

Glej stran 198.

Za preprečitev korozije rezervoarja in preprečitev vlage v zračnem rezervoarju je treba zračni rezervoar kompresorja vsak dan izprazniti.

Praznjenje zračnega rezervoarja:

1. Prepričajte se, da je stikalo za vklop/izklop v položaju IZKLOP (O).
2. Odstranite baterijski vložek.
3. Izvlecite obroč na ventilu za sprostitev tlaka, dokler merilnik tlaka v rezervoarju ne prikazuje manj kot 1,4 bara (20 PSI).
4. Obmrite obroč.
5. Ročico ventila za praznjenje zavrtite v nasprotni smeri urinega kazalca, da osušite vlago.
OPOMBA: Kondenzat je snov, ki onesnažuje okolje in jo je potrebno odvreči v skladu z veljavno lokalno zakonodajo.
6. Ročico ventila za praznjenje zavrtite v smeri urinega kazalca, da zaprete ventil za praznjenje.

GUMB ZA PONAŠTAVITEV

Če tok v motor zračnega kompresorja preseže predpisano vrednost, se zračni kompresor samodejno izklopi.

Ponastavitev zračnega kompresorja:

1. Odstranite baterijski vložek.
2. Izklopite orodje.
3. Počakajte tri minute, da se motor ohladi.
4. Pritisnite gumb za ponastavitev.

EN
FR
DE
ES
IT
NL
PT
DA
SV
FI
NO
RU
PL
CS
HU
RO
LV
LT
ET
HR
SL
SK
BG
UK
TR
EL





5. Priključite baterijski vložek na izdelek.
6. Prižgite napravo.

ZAMENJAVA SPOJKE

Glej stran 199.

1. Prepričajte se, da je stikalo za vklop/izklop v položaju IZKLOP (O).
2. Odstranite baterijski vložek.
3. Izvlecite obroč na ventilu za sprostitvev tlaka, dokler merilnik tlaka v rezervoarju ne prikazuje manj kot 1,4 bara (20 PSI).
4. Obrnite obroč.
5. S ključem razrahljajte in odstranite spojko z obračanjem v nasprotni smeri urinega kazalca.
6. S ključem namestite novo spojko in jo privijte v smeri urinega kazalca.

TRANSPORT IN SKLADIŠČENJE

Glej stran 200 - 201.

1. Prepričajte se, da je stikalo za vklop/izklop v položaju IZKLOP (O).
2. Odstranite baterijski vložek.
3. Zaženite zračno orodje, da sprostite zračni tlak v cevki, in nato odstranite zračno cevko ter zračno orodje. Povlecite ventil za sprostitvev tlaka, da izpustite zrak.
4. Osušite vodo iz rezervoarja po navodilih v razdelku »Praznjenje zračnega rezervoarja«.
5. Očistite izdelek s suho krpo.
6. Ovijte cevko okoli nosilcev za ovijanje cevke.
7. Izdelek ob prenašanju primite za ročaj.
8. Zračni kompresor shranjujte v običajnem položaju za delovanje v suhem in zaščitenem območju.

⚠ OPOZORILO

Ob delovanju kompresorja se v zračnem rezervoarju kompresorja kondenzira voda. Če v rezervoarju ostane voda, lahko rezervoar oslabi in pojavi se korozija, ker poveča tveganje nastanka razpok na rezervoarju.

⚠ OPOZORILO

Ko orodja ne uporabljate ali ga servisirate, vedno odklopite zračno cevko iz orodja. Med vzdrževanjem se lahko orodje, ki je priklopljeno na zračno cevko, nenamerno zažene in povzroči hudo telesno poškodbo!

⚠ OPOZORILO

Če pred shranjevanjem ne odstranite baterijskega vložka iz zračnega kompresorja, lahko kompresor neprekinjeno teče, kar povzroči pregretje, poškodbe kompresorja in morda tudi požar.

VZDRŽEVANJE

SPLOŠNO VZDRŽEVANJE

- Pri čiščenju plastičnih delov se izogibajte topilom. Večina vrst plastike se poškoduje, če uporabljate različne vrste komercialnih topil. Uporabite čiste krpe za odstranjevanje prahu, umazanije, olja, masti itd.

- Zavorna tekočina, gorivo, izdelki na osnovi nafte, prodirajoče olje ipd. nikoli ne smejo priti v stik s plastičnimi deli. Kemikalije lahko poškodujejo, oslabijo ali uničijo plastiko, kar lahko ima za posledico tudi resne telesne poškodbe.
- Pred čiščenjem ali popraviljem izdelka vedno sprostite ves tlak, odstranite baterijski vložek in počakajte, da je izdelek hladen na dotik.
- Tega izdelka na noben način ne spreminjajte ali uporabljajte dodatkov, ki jih ni odobril proizvajalec. Vaša varnost in varnost drugih sta morda ogroženi.
- Izdelka ne uporabljajte, če stikala, zaščite ali druge funkcije ne delujejo, kot je bilo predvideno. Za profesionalno popravilo ali zamenjavo se obrnite na pooblaščen servis.
- Pred nastavljanjem, mazanjem ali vzdrževanjem izdelka poskrbite, da je akumulatorski vložek odstranjen iz izdelka.
- Pred in po vsaki uporabi preverite, ali je izdelek poškodovan oz. ali ima pokvarjene dele. Izdelek ohranjajte v vrhunskem stanju tako, da nemudoma zamenjate dele z nadomestnimi deli, ki jih je odobril proizvajalec.

⚠ OPOZORILO

Zaradi večje varnosti in zanesljivosti naj vsa popravila izvaja pooblaščen servisni center.

ZAŠČITA OKOLJA



Namesto, da napravo zavržete, reciklirajte surovine. Napravo, pribor in embalažo je treba sortirati za okolju prijazno recikliranje.

SIMBOLI NA IZDELKU



Varnostno opozorilo



Prosimo, da si pred zagonom naprave pazno preberete navodila



Skladnost CE



EurAsian oznaka o skladnosti



Ukrajinska oznaka za skladnost



Pri uporabi stroja vedno nosite očala.





Nosite ščitnike za ušesa.



Za notranjo uporabo



Opozorilo na mokro stanje. Ne izpostavljajte dežju Hranite notri.



Tveganje vdihavanja. Zrak, ki se pridobi neposredno iz zračnega kompresorja, se nikoli ne sme uporabljati za dovajanje zraka za ljudi.



Nevarnost poka. Regulatorja ne nastavite tako, da bi izhodni tlak presegel najvišji navedeni tlak dodatka. Ne uporabljajte za tlak, ki presega 10 barov.



Ta kompresor se lahko zažene brez opozorila.

Nevarnost požara ali eksplozije. Prostor za razprševanje mora biti dobro zračen. Ne kadite, medtem ko razpršujete barvo ali ne škropite v prostoru, kjer je možnost vžiga. Kompresorje imejte čim dlje od površine za škropljenje. Kompresor imejte vsaj 10 m stran od površine, ki jo škropite in stran od vseh eksplozivnih hlapov.



Reguliran tlak



Tlak v rezervoarju



Odpadne električne izdelke ne odlagajte skupaj z ostalimi gospodinjskimi odpadki. Reciklažo opravljajte na predpisanih mestih. Za nasvet se obrnite na lokalne oblasti.

SIMBOLI V PRIROČNIKU



Deli ali dodatki so na prodaj ločeno



Opomba



Opozorilo

Sledeče signalne besede in pomeni naj bi pojasnili ravni tveganja, ki so povezane s tem izdelkom.

NEVARNOST

Označuje neizogibno nevarno stanje, ki lahko povzroči smrt ali hude poškodbe, če ga ne preprečite.

OPOZORILO

Označuje morebitno nevarno stanje, ki bi lahko povzročilo smrt ali hude poškodbe, če ga ne preprečite.

POZOR

Označuje morebitno nevarno stanje, ki lahko povzroči manjše ali zmerne poškodbe, če se ga ne preprečite.

POZOR

(Brez simbola Varnostni alarm) Označuje stanje, ki lahko privede do poškodovanja lastnine.



Bezpečnosť, efektivita a spoľahlivosť boli prvoradá pri navrhovaní vášho vzduchového kompresora.

ÚČEL POUŽITIA

Tento vzduchový kompresor je určený len na prívod stlačeného vzduchu. Nesmie sa používať na kompresiu žiadneho iného plynu.

Tento výrobok je určený na poháňanie pneumatického náradia a na nafukovanie predmetov s vysokým tlakom vzduchu, ako sú pneumatiky automobilov a bicyklov.

Tento výrobok môžu používať len svojprávné dospelé osoby, ktoré si prečítali a porozumeli pokynom a varovaniám v tejto príručke.

Tento výrobok by sa mal používať iba vo vnútorných priestoroch.

Tento produkt nepoužívajte žiadnym iným spôsobom, ako je uvedené v účele použitia. Pri používaní mechanického nástroja na iné ako určené činnosti môže dôjsť k nebezpečným situáciám.

VŠEOBECNÉ BEZPEČNOSTNÉ VÝSTRAHY

⚠ VAROVANIE

Prečítajte si všetky bezpečnostné výstrahy a pokyny. Ak nerešpektujete a inštrukcie, môže to mať za následok úraz elektrickým prúdom, požiar a/alebo vážne zranenie.

Odložte všetky výstrahy a pokyny pre budúce použitie.

⚠ VAROVANIE

Pri používaní elektrických nástrojov je potrebné dodržiavať základné bezpečnostné opatrenia, aby sa znížilo riziko požiaru, úrazu elektrickým prúdom a poranenia osôb. Pred prácou s produktom si prečítajte všetky pokyny a odložte si tento návod.

BEZPEČNOSŤ PRACOVISKA

- Pracovisko udržiajte v čistote. Prepchané plochy a pracovné stoly zvyšujú pravdepodobnosť nehôd. Nenechávajte nástroje alebo kusy dreva na nástroji, keď je spustený.
- Tento výrobok nepoužívajte v nebezpečnom prostredí. Elektrické nástroje nepoužívajte vo vlhkom alebo mokrom prostredí, ani ich nevystavujte dažďu. Pracovisko musí byť dostatočne osvetlené.
- Nedovoľte sa približovať deťom a okolostojacim osobám. Všetky iné osoby by mali mať ochranné okuliare a stáť v dostatočnej vzdialenosti od pracoviska. Nedovoľte, aby sa prizerajúce osoby dotýkali výrobku počas prevádzky.
- Nikdy npracujte vo výbušnej atmosfére. Prírodné iskrenie motora by mohlo zapáliť výpary.

ELEKTRICKÁ BEZPEČNOSŤ

- Ak by akýkoľvek elektrický komponent výrobku prestal správne fungovať, vypnite hlavný vypínač, vyberte z výrobku súpravu batérií a vymeňte pred pokračovaním prevádzky.

- Mechanické nástroje nevystavujte dažďu ani mokrému prostrediu. Voda, ktorá vnikne do mechanického nástroja, zvyšuje riziko úrazu elektrickým prúdom.

OSOBNÁ BEZPEČNOSŤ

- Buďte ostražití a vykonávajte kontrolu. Sledujte, čo robíte a používajte zdravý rozum. Nepoužívajte zariadenie, keď ste unavení. Neponáhľajte sa.
- Primerane sa oblečte. Nenoste voľné oblečenie, kravaty alebo šperky, ktoré by sa mohli zachytiť a stiahnuť vás do pohybujúcich sa častí. Pri práci v exteriéri sa odporúča používať gumené rukavice a protišmykovú obuv. Ak máte dlhé vlasy, noste ochrannú pokrývku vlasov.
- Vždy noste bezpečnostné okuliare s bočnými chráničmi. Okuliare na denné nosenie majú sklá, ktoré sú odolné len nárazu; NIE sú to bezpečnostné okuliare.
- Chráňte si pľúca. Ak pri práci vzniká prach, používajte tvárovú alebo protiprachovú masku.
- Chráňte si sluch. Pri dlhších obdobiach používania používajte chránič sluchu.
- Nesiahajte príliš ďaleko. Neustále zachovávajte pevnú oporu nôh a rovnováhu.
- Odstráňte nastavovacie klíny a kľúče. Vytvorte si návyk vizuálnej kontroly odstránenia nastavovacích kľúčov z nástroja pred jeho zapnutím.

POUŽÍVANIE A STAROSTLIVOSŤ O VZDUCHOVÝ KOMPRESOR

- Neprekračujte menovitý tlak žiadneho komponentu v systéme.
- Chráňte materiálové vedenia a vzduchové vedenia pred poškodením alebo prepichnutím. Hadicu uchovávajte v bezpečnej vzdialenosti od ostrých predmetov, rozliatych chemikálií, oleja, rozpúšťadiel a mokrej podlahy.
- Pred každým použitím skontrolujte, či hadice nie sú oslabené alebo opotrebované a presvedčte sa, či sú všetky spoje bezpečné. Nepoužívajte v prípade zistenia poruchy. Zakúpte novú hadicu alebo ohláste autorizovanému servisnému centru kontrolu alebo opravu.
- Pomaly uvoľnite všetky tlaky v systéme. Prach a sutina môžu byť škodlivé.
- Nepoužívaný vzduchový kompresor skladujte mimo dosahu detí a ostatných nezaškolených osôb. Vzduchové kompresory sú nebezpečné v rukách nezaškolených používateľov.
- Vzduchové kompresory starostlivo udržiavajte. Riadte sa pokynmi na údržbu. Správne udržiavané nástroje sa ľahšie ovládajú.
- Skontrolujte, či pohyblivé diely nie sú nesprávne nastavené alebo zablokované, či niektoré diely nie sú poškodené, ako aj akýkoľvek iný stav, ktorý by mohol ovplyvniť činnosť nástroja. Pri poškodení nechajte pred opätovným použitím nástroj opraviť v servise. Mnoho nehôd je spôsobených nedostatočnou údržbou nástrojov.





- Vonkajšie časti výrobku udržiavajte suché, čisté a bez oleja a maziva. Na čistenie vždy používajte čistú utierku. Na čistenie zariadenia nikdy nepoužívajte brzdovú kvapalinu, benzín, ropné produkty alebo silné rozpúšťadlá. Pri dodržaní tohto pravidla sa zníži riziko potrebovania plastu puzdra.

SERVIS

- Pri servise používajte len originálne náhradné diely. Použitie iných dielov môže predstavovať riziko alebo spôsobiť poškodenie produktu.

Uschovajte si tieto inštrukcie. Často do neho nahliadajte a používajte ho na poučenie ostatných užívateľov. Ak niekomu nástroj požičiate, priložte k nemu aj tento návod.

BEZPEČNOSTNÉ VÝSTRAHY PRE VZDUCHOVÝ KOMPRESOR

- Oboznámte sa s vaším produktom. Dôkladne si prečítajte návod na použitie. Oboznámte sa s aplikáciami a obmedzeniami stroja ako aj so špecifickými potenciálnymi rizikami súvisiacimi s týmto nástrojom. Dodržiavaním tohto pravidla znižujete riziko úrazu elektrickým prúdom, požiaru alebo závažného poranenia.
- Vypustíte vodu zo vzduchovej nádrže po každodennom použití. Ak sa výrobok nebude určitú dobu používať, bude najlepšie ponechať vypúšťací ventil otvorený až do ďalšieho použitia. Týmto sa umožní úplné vypustenie kondenzovanej vody a zabráni sa korózii vo vnútri vzduchovej nádrže.
- Nebezpečenstvo požiaru alebo výbuchu. Nesprejajte zápalné tekutiny v stiesnených priestoroch. Priestor rozprašovania musí byť dobre vetraný. Počas rozprašovania nefajčíte a nesprejajte do priestorov, kde sa môžu nachádzať iskry alebo plameň. Udržiavajte výrobok minimálne 10 m (33 stôp) od oblasti striekania a všetkých výbušných pár.
- Riziko prasknutia. Nenastavujte regulátor tak, aby bol výstupný tlak vyšší než maximálny tlak vyznačený na pripojenej jednotke. Nepoužívajte tlak vyšší než 8.3 barov.
- Aby ste predišli riziku zasiahnutia elektrickým prúdom, nevystavujte tento výrobok účinkom dažďa. Výrobok skladujte vnútri.
- Raz ročne skontrolujte, či výrobok nehrdzavie, či nemá praskliny, malé diery či iné nedokonalosti, ktoré by mohli spôsobiť nebezpečný stav výrobku.
- Nikdy nezvárať ani nevŕtať otvory do zásobníka vzduchu.
- Skontrolujte, či v hadici nie sú prekážky alebo upchatia. Zamotané alebo zauzlené hadice môžu spôsobiť stratu rovnováhy alebo opory nôh a môžu byť nebezpečné.
- Výrobok používajte len na určený účel. Neupravujte ani nemodifikujte pôvodnú konštrukciu alebo funkcie jednotky.
- Vždy majte na pamäti, že nesprávne používanie a nevhodná manipulácia tohto nástroja môže viesť k poraneniu vás alebo iných osôb.
- Výrobok nikdy nenechávajte bez dozoru, keď je vzduchová hadica pripojená k nástroju.
- Nikdy nemierte žiadnym vzduchovým nástrojom na seba ani na iných.
- Nepracujte s týmto nástrojom, ak sa na ňom nenachádza čitateľný výstražný štítok.
- Prerušte prácu s nástrojom alebo hadicou, z ktorých uniká vzduch alebo ktoré nefungujú správne.
- Pred vykonávaním úprav, servisu výrobku alebo ak výrobok nebudete používať, vždy odpojte prívod vzduchu a vyberte akumulátor.
- Produkt neťahajte ani neprenášajte za hadicu.
- Váš nástroj môže požadovať väčšiu spotrebu vzduchu, ako výrobok dokáže poskytnúť.
- Okrem všetkých bezpečnostných pravidiel pre vzduchový kompresor dodržiavajte aj všetky bezpečnostné pravidlá, ktoré odporúča výrobca vášho vzduchového nástroja. Pri dodržaní tohto pravidla znižujete riziko závažného poranenia.
- Prúd stlačeného vzduchu nikdy nesmerujte na osoby či zvieratá. Dbajte na to, aby ste nefúkali prach smerom k sebe či iným osobám. Pri dodržaní tohto pravidla znižujete riziko závažného poranenia.
- Výrobok nepoužívajte na striekanie chemikálií. Vaše pľúca by sa mohli pri vdýchnutí toxických výparov poškodiť. V prašných prostrediach alebo pri sprejovaní farby používajte respirátor. Neprenášajte počas maľovania.
- Pravidelne kontrolujte káble a hadice nástroja a v prípade poškodenia ho nechajte opraviť v najbližšom autorizovanom servisnom centre. Neustále dávajte pozor, kde sa nachádza kábel. Dodržiavaním tohto pravidla znižujete riziko úrazu elektrickým prúdom alebo požiaru.
- Skontrolujte, či pohyblivé diely nie sú nesprávne nastavené alebo zablokované, či niektoré diely nie sú poškodené, ako aj akýkoľvek iný stav, ktorý by mohol ovplyvniť činnosť nástroja. Pri poškodení nechajte pred opätovným použitím nástroj opraviť v servise. Mnoho nehôd je spôsobených nedostatočnou údržbou nástrojov.
- Ak musia byť pevné ochranné kryty odstránené pre pravidelnú údržbu alebo opravu, ich upevňovacie systémy musia zostať pripojené k ochrannému krytu alebo strojovému zariadeniu, keď sú ochranné kryty odstránené.
- Nikdy neskladujte nástroj s pripojenou vzduchovou hadicou. Skladovanie náradia s pripojeným k prívodom vzduchu môže viesť k neočakávanej prevádzke, vymršteniu alebo pohybu a vážnym zraneniam osôb.
- Chráňte si pľúca. Ak pri práci vzniká prach, používajte tvárovú alebo protiprachovú masku. Pri dodržaní tohto pravidla znižujete riziko závažného poranenia.
- Uschovajte si tieto inštrukcie. Občas si ho pozrite a použite ho na zaškolenie iných osôb, ktoré môžu tento produkt používať. Ak niekomu nástroj požičiate, priložte k nemu aj tento návod.

EN
FR
DE
ES
IT
NL
PT
DA
SV
FI
NO
RU
PL
CS
HU
RO
LV
LT
ET
HR
SL
SK
BG
UK
TR
EL





- Zariadenie používajte pred ovládacím panelom.
- Keď je zariadenie spustené, mnohé diely môžu dosiahnuť vysokú teplotu. Používajte nevyhnutné osobné ochranné pomôcky ako rukavice, aby nedošlo k poraneniám následkom vysokej teploty.
- Výrobok nie je určené na to, aby ho používali osoby (vrátane detí) so zníženými fyzickými, zmyslovými alebo duševnými schopnosťami alebo s chýbajúcimi skúsenosťami a vedomosťami. Na deti treba dávať pozor, aby sa s výrobkom nehrali.

AKUMULÁTOR A NABIJAČKA – BEZPEČNOSTNÉ VÝSTRAHY

⚠ VAROVANIE

Aby ste zabránili nebezpečenstvu požiaru spôsobeného skratom, poraneniám alebo poškodeniam výrobku, neponárajte náradie, výmennú batériu alebo nabíjačku do kvapalín a postarajte sa o to, aby do zariadení a akumulátorov nevnikli žiadne tekutiny. Korodujúce alebo vodivé kvapaliny, ako je slaná voda, určité chemikálie a bieliace prostriedky alebo výrobky, ktoré obsahujú bielicidlo, môžu spôsobiť skrat.

- **Nabíjajte len nabíjačkou, ktorú uvádza výrobca.** Nabíjačka, ktorá je vhodná pre jeden typ akumulátora, môže pri použití s iným akumulátorom spôsobiť riziko požiaru.
- **Elektrické náradie používajte len spolu so špecificky určenými súpravami batérií.** Používanie iných súprav batérií môže predstavovať riziko poranenia a požiaru.
- **Keď sa jednotka akumulátora nepoužíva, nedávajte ju do blízkosti iných kovových objektov, ako sú papierové sponky, mince, kľúče, klince, skrutky či iné malé kovové predmety, ktoré by mohli skratovať svorky.** Skratovanie koncoviek batérie môže spôsobiť popáleniny alebo požiar.
- **Pri nevhodnom používaní môže z batérie vytekať tekutina; zabráňte kontaktu s ňou.** V prípade náhodného kontaktu opláchnite postihnuté miesto vodou. Ak tekutina príde do kontaktu s očami, vyhľadajte lekársku pomoc. Tekutina vytekajúca z batérie môže spôsobiť podráždenie alebo popáleniny.
- **Akumulátorové nástroje nemusia byť zapojené do elektrickej siete, preto sú neustále v prevádzkovom stave.** Uvedomte si možné riziká, keď nepoužívate akumulátorový produkt alebo pri výmene príslušenstva. Dodržiavaním tohto pravidla znižujete riziko úrazu elektrickým prúdom, požiaru alebo závažného poranenia.
- **Nedávajte akumulátorové zariadenia ani ich akumulátory do blízkosti ohňa alebo tepla.** Znížite tak riziko explózie a možného poranenia.
- **Jednotku akumulátora nedrverte, nezhoďte na zem ani inak nepoškodzujte.** Nepoužívajte jednotku akumulátora alebo nabíjačku, ktoré spadli alebo dostali prudkú ranu. Poškodený akumulátor môže explodovať. Spadnutý alebo poškodený akumulátor ihneď zlikvidujte.

- **Akumulátory môžu v prítomnosti zdroja zapalovania, napríklad signálnej žiarovky, explodovať.** Na zníženie rizika závažného osobného poranenia nikdy nepoužívajte bezkáblový produkt v prítomnosti otvoreného ohňa. Explodovaný akumulátor môže vrhať trosky a chemikálie. V prípade zasiahnutia okamžite opláchnite vodou.
- **Akumulátorové zariadenie nenabíjajte vo vlhkom alebo mokrom prostredí.** Dodržiavaním tohto pravidla znižujete riziko úrazu elektrickým prúdom.
- **Na dosiahnutie najlepších výsledkov je výrobok na batérie potrebné nabíjať na mieste s teplotou viac než 10 °C no menej než 38 °C.** Aby ste znížili riziko vážneho osobného poranenia, neskladujte vonku ani vo vozidlách.
- **Pri extrémnom prevádzkových alebo teplotných podmienkach môže dôjsť k vytečeniu akumulátora.** Ak tekutina zasiahne pokožku, ihneď ju umyte mydlom a vodou. Ak tekutina zasiahne oči, umývajte ich čistou vodou minimálne 10 minút a potom okamžite vyhľadajte lekársku pomoc. Pri dodržaní tohto pravidla znižujete riziko závažného poranenia.
- **Poškodenú alebo upravenú súpravu batérií nepoužívajte.** Poškodené alebo upravené batérie môžu vykazovať nepredvídateľné správanie s následkom požiaru, výbuchu alebo poranenia.
- **Poškodenú súpravu batérií neupravujte ani sa ju nepokúšajte opravovať.**
- **Súpravu batérií ani náradie nevystavujte účinkom ohňa ani nadmernej teploty.** Vystavenie účinkom ohňa alebo teploty nad 130°C môže spôsobiť výbuch.
- **Dodržiavajte všetky pokyny na nabíjanie a súpravu batérií ani náradie nenabíjajte mimo rozsahu teplôt, ktorý je uvedený v pokynoch.** Nesprávne nabíjanie alebo nabíjanie pri teplotách mimo uvedeného rozsahu môže poškodiť batériu a zvýšiť riziko vzniku požiaru.

PREPRAVA LÍTOVÝCH AKUMULÁTOROV

Akumulátor prepravujte v súlade s miestnymi smernicami a nariadeniami.

Keď akumulátory prepravuje tretia strana, dodržiavajte všetky požiadavky na balení a označení. Zabezpečte, aby počas prepravy akumulátory neprišli do kontaktu s inými akumulátormi ani vodivými materiálmi – chráňte obnažené konektory pomocou izolácie, nevodivými viečkami alebo páskou. Neprepravujte akumulátory, ktoré sú prasknuté alebo vytekajú. Ďalšie pokyny zistíte u nasledujúcej spoločnosti.

BATÉRIE

Akumulátory, ktoré ste nejaký čas nepoužívali, treba pred použitím nabiť.

Teploty nad 50 °C (122 °F) znižujú výkon akumulátora. Zabráňte dlhodobému vystaveniu účinkom tepla alebo slnečného žiarenia (riziko prehriatia).

Kontakty nabíjačiek a akumulátorov sa musia udržiavať v čistote.

Na dosiahnutie optimálnej životnosti je nutné akumulátory po použití nabiť





Na dosiahnutie najdlhšej možnej životnosti vyberte po úplnom nabití akumulátor z nabíjačky.

Pre skladovanie akumulátora dlhšie ako 30 dní:

- Akumulátor skladujte na mieste s teplotou nižšou než 27 ° C a chránený pred vlhkosťou.
- Akumulátory skladujte nabité na 30 % – 50 %.
- Každých šesť mesiacov skladovania akumulátor štandardne nabite.

OCHRANA AKUMULÁTORA

Akumulátor má ochranu proti preťaženiu, ktorá ho chráni pred preťažením a pomáha zabezpečiť dlhú životnosť. Pri extrémnom zaťažení elektronika batérie automaticky vypne výrobok. Ak chcete výrobok reštartovať, vypnite ho a znova zapnite. Ak sa výrobok znova nespustí, akumulátor môže byť úplne vybitý. V tomto prípade sa musí nabiť v nabíjačke batérií.

ZVYŠKOVÁ RIZIKOVOSŤ

Aj keď sa nástroj používa podľa predpisu, nie je možné eliminovať určité zvyškové rizikové faktory. Pri použití vznikajú nasledujúce riziká a obsluhujúca osoba musí venovať zvláštnu pozornosť, aby nedošlo k nasledovnému:

- Výrobok používajte len na určený účel. Neupravujte ani nemodifikujte pôvodnú konštrukciu alebo funkcie jednotky.
- Vždy majte na pamäti, že nesprávne používanie a nevhodná manipulácia tohto nástroja môže viesť k poraneniu vás alebo iných osôb.
- Výrobok nikdy nenechávajte bez dozoru, keď je hadica pripevnená k nástroju.
- Prerušte prácu s nástrojom alebo hadicou, z ktorých uniká vzduch alebo ktoré nefungujú správne.
- Riziko prasknutia
 - Nenastavujte regulátor tak, aby bol výstupný tlak vyšší než maximálny tlak vyznačený na pripojenej jednotke.
- Pri prevádzke motora a valca sa vytvára teplo a vysoká teplota. Pri dotyku s nechránenými kovovými časťami môže dojsť k vážnym popáleninám.
 - Vždy udržiavajte vzduchový kompresor ďalej od pracovných zón.
- Zranenie spôsobené hlukom
 - Noste ochranu sluchu.
- Plyn, zo vzduchového kompresora môže veľkou rýchlosťou vyvrhovať nečistoty, triesky, voľné častice a malé predmety. Môže to viesť k odhodeniu predmetov do očí či iné možné vážne poranenie.
 - Pri používaní rôznych nástrojov vždy noste správne osobné ochranné pomôcky.

OBOZNÁMTE SA S VAŠIM PRODUKTOM

Vid' strana 195.

1. Držiaky na navínutie hadice
2. Pripojovacia rýchlospojka
3. PLC spojka s vonkajším závitom 1/4" BSP pre vysoký prietok

4. Tlakomer zásobníka
5. Tlačidlo regulátora tlaku
6. Regulačný tlakomer
7. Rukoväť na nosenie
8. Poistný ventil
9. Hlavný spínač
10. Súprava batérie
11. Vypúšťací ventil
12. Resetovacie tlačidlo

ROZBALOVANIE

Starostlivo skontrolujte náradie, aby ste sa uistili, že počas prepravy nedošlo k žiadnemu polámaniu alebo poškodeniu.

Nevyhadzujte obalový materiál, kým ste náradie starostlivo neskontrolovali a úspešne neodskúšali.

⚠ VAROVANIE

Nepoužívajte tento výrobok, ak je akákoľvek časť poškodená alebo chýba, až kým nebudú tieto časti vymenené. Používanie tohto výrobku s poškodenými alebo chýbajúcimi časťami by mohlo viesť k vážnemu zraneniu osôb.

⚠ VAROVANIE

Nepokúšajte sa modifikovať produkt, alebo vytvoriť príslušenstvo, ktoré nie je odporúčené pre použitie s týmto produktom. Akékoľvek takéto úpravy sú zneužitím a môžu mať za následok nebezpečný stav, ktorý môže viesť k možnému vážnemu zraneniu osôb.

⚠ VAROVANIE

Aby ste zabránili náhodnému naštartovaniu, ktoré by mohlo spôsobiť vážne osobné poranenie, pri montáži dielov vždy z výrobku vyberte akumulátor.

PREVÁDZKA

PRÍPRAVA

Pripojenie/odpojenie vzduchovej hadice

Vid' strana 196.

POZNÁMKA: Počas prevádzky, kedy sa používa tlak nad 7 barov (102 psi), musí byť vzduchová hadica vybavená bezpečnostným káblom, napr. drôteným.

1. Hlavný vypínač prepnite do vypnutej polohy OFF (O) a akumulátor odpojte.
2. Ak chcete povoliť vykonávanie úprav, potiahnite gombík regulátora tlaku smerom von. Gombík regulátora tlaku otočte na doraz proti smeru pohybu hodinových ručičiek.
3. Skontrolujte, či je výstupný tlak na nulovej hodnote.
4. K pripojovacej rýchlospojke na kompresore pripojte vzduchovú hadicu s konektorom 6,35 mm (1/4 palca). Konektor do rýchlospojky zatlačte na doraz, až kým objímka rýchlospojky nevyskočí dopredu a nezaistí konektor v správnej polohe.

EN
FR
DE
ES
IT
NL
PT
DA
SV
FI
NO
RU
PL
CS
HU
RO
LV
LT
ET
HR
SL
SK
BG
UK
TR
EL





Odpojenie vzduchovej hadice alebo náradia na vzduch:

1. Ak chcete povoliť vykonávanie úprav, potiahnite gombík regulátora tlaku smerom von. Gombík regulátora tlaku otočte na doraz proti smeru pohybu hodinových ručičiek.
2. Skontrolujte, či je výstupný tlak na nulovej hodnote.
3. Odtiahnite vysúvaciu objímku na 6,35 mm rýchlej spojke. Konektor hadice, ktorý je pripojený do rýchlospojky, pevne uchopte a vytiahnite.

Pripojenie/vybratie akumulátora

1. Hlavný vypínač prepnite do vypnutej polohy OFF (O).
2. Do portu na akumulátor vložte akumulátor.
3. Ubezpečte sa, či západky na každej strane súpravy batérie zapadnú na svoje miesto a či je súprava batérie zaistená v produkte pred začatím prevádzky.
4. Zatláčte západky a vyberte jednotku akumulátora
5. Úplné pokyny na nabíjanie nájdete na návode na používanie akumulátora a nabíjačky.

POUŽÍVANIE VZDUCHOVÉHO KOMPRESORA

⚠ NEBEZPEČENSTVO

Kým je v nádrži vzduch, nerozberajte vypúšťacie ani bezpečnostné ventily nádrže. Z nádrže na vzduch uvoľníte vzduch. Opomenutie znížiť tlak v nádrži na vzduch by mohlo mať za následok výbuch a/alebo vážne osobné poranenie.

⚠ VAROVANIE

Vždy používajte chrániče zraku s bočnými štítmí. V opačnom prípade to môže spôsobiť, že úlomky vám vletia do očí, čo môže zapríčiniť vážne zranenie.

⚠ VAROVANIE

Nepoužívajte žiadne príslušenstvo, ktoré nie je odporúčané výrobcom tohto produktu. Pri použití príslušenstva, ktoré neodporúča výrobca, môže dôjsť k vážnemu osobnému zraneniu.

⚠ VAROVANIE

Na otvorený koniec hadice nenasadzujte žiadne nástroje, kým spustenie nie je kompletne.

⚠ VAROVANIE

Vždy vyberte súpravu batérie z nástroja, keď montujete diely, robíte nastavenia, čistíte nástroj alebo keď ho nepoužívate. Odstránením jednotky akumulátora zabránite náhodnému spusteniu, ktoré by mohlo spôsobiť závažné osobné zranenie.

⚠ VAROVANIE

Nepoužívajte v prašnom či inak kontaminovanom prostredí. Používanie vzduchového kompresora v tomto type prostredia môže spôsobiť poškodenie výrobku.

Úprava tlaku vzduchu

Vid' strana 197.

1. Hlavný vypínač prepnite do vypnutej polohy OFF (O) a vyberte akumulátor.
2. Akumulátor pripojte k výrobku.
3. Hlavný vypínač prepnite do zapnutej polohy ON (I).
4. Ak chcete povoliť vykonávanie úprav, potiahnite gombík regulátora tlaku smerom von.
5. Gombík regulátora tlaku vzduchu otočte na hodnotu požadovaného tlaku. Pri otáčaní tlačidla v smere pohybu hodinových ručičiek sa tlak vzduchu na výstupe zvyšuje. Pri otáčaní proti smeru pohybu hodinových ručičiek sa tlak vzduchu na výstupe znižuje. Stlačte gombík regulátora tlaku, aby ste zamedzili vykonanie úprav.
6. Dodržiavajúc všetky bezpečnostné pokyny uvedené v tomto návode a pokyny výrobcu v návode pre náradie na vzduch môžete začať náradie na vzduch používať.

⚠ VAROVANIE

Náradie na vzduch môže vyžadovať väčšiu spotrebu vzduchu než dokáže zabezpečiť tento kompresor. Pozrite príručku k nástroju, aby nedošlo k poškodeniu nástroja a nevzniklo riziko poranenia osôb.

7. Množstvo prietoku vzduchu ovládate regulačným tlačidlom vzduchu. Otočením gombíka na doraz proti smeru pohybu hodinových ručičiek úplne zastavíte prietok vzduchu.

POZNÁMKA: Vždy používajte minimálne množstvo tlaku potrebného pre danú aplikáciu. Pri použití vyššieho tlaku bude potrebné vypustiť vzduch zo zásobníka rýchlejšie a spôsobí to častejšie cykly jednotky.

8. Kompresor vypnete stlačením hlavného vypínača do vypnutej polohy OFF (O).

POZNÁMKA: Ak je kompresor zapnutý, hlavný vypínač je v zapnutej polohe ON (I), vzduchový kompresor sa automaticky zapne, ak stanovený tlak vzduchu v nádrži klesne pod vopred nastavenú limitnú hodnotu tlaku. Taktiež sa vypne, ak sa dosiahne požadovaný tlak.

⚠ VAROVANIE

Nikdy neprekračujte tlak vzduchu náradia, ktorý odporúča výrobca. Ak sa tento vzduchový kompresor používa ako prístroj na nafukovanie, vždy dodržiavajte pokyny pre maximálne nafuknutie, ktoré uvádza výrobca nafukovaného predmetu.

⚠ VAROVANIE

Pred výmenou náradia na vzduch alebo odpojením hadice z výstupu vzduchu vždy hlavný vypínač prepnite do vypnutej polohy OFF (O) a skontrolujte, že tlakomer na regulátore ukazuje nulu. V opačnom prípade môže dôjsť k prípadnému závažnému osobnému poraneniu.

9. Po dokončení vždy vyprázdňte nádrž a vyberte akumulátor. Nikdy nenechávajte výrobok spustený ani pripojený k akumulátoru.





VYPUSTENIE NÁDRŽE NA VZDUCH

Vid' strana 198.

Aby ste zabránili korózii nádrže a zabránili vniknutiu vlhkosti do nej, každý deň nádrž na vzduch aj kompresor vypust'ite.

Vypustenie nádrže na vzduch:

1. Hlavný vypínač prepnite do vypnutej polohy OFF (O).
2. Vyberte akumulátor.
3. Ťahajte za krúžok na ventile na uvoľnenie tlaku, až kým tlakomer na nádrži nebude ukazovať hodnotu do 1,4 baru (20 PSI).
4. Uvoľnite krúžok.
5. Páčku vypúšťacieho ventilu otočte proti pohybu hodinových ručičiek a vypust'ite vlhkosť.

POZNÁMKA: Kondenzát je znečisťujúci materiál a musí sa likvidovať v súlade s miestnymi predpismi.

6. Páčku vypúšťacieho ventilu otočte v smere pohybu hodinových ručičiek sa vypúšťací ventil zavrite.

RESETOVACIE TLAČIDLÁ

Ak prúd privádzaný do motora kompresora prekročí stanovenú jednotku, vzduchový kompresor sa automaticky vypne.

Vynulovanie vzduchového kompresora:

1. Vyberte akumulátor.
2. Vypnite nástroj.
3. Počkajte tri minúty na vychladnutie motora.
4. Stlačte tlačidlo nulovania.
5. Akumulátor pripojte k výrobku.
6. Zapnite produkt.

VÝMENA SPOJKY

Vid' strana 199.

1. Hlavný vypínač prepnite do vypnutej polohy OFF (O).
2. Vyberte akumulátor.
3. Ťahajte za krúžok na ventile na uvoľnenie tlaku, až kým tlakomer na nádrži nebude ukazovať hodnotu do 1,4 baru (20 PSI).
4. Uvoľnite krúžok.
5. Pomocou kľúča uvoľnite a demontujte spojku; otáčajte ju proti smeru pohybu hodinových ručičiek.
6. Pomocou kľúča nainštalujte novú spojku a utiahnite ju v smere pohybu hodinových ručičiek.

PREPRAVA A SKLADOVANIE

Vid' strana 200 - 201.

1. Hlavný vypínač prepnite do vypnutej polohy OFF (O).
2. Vyberte akumulátor.
3. Spust'ite náradie na vzduch, aby sa uvoľnil tlak vzduchu v hadici, potom vzduchovú hadicu odpojte od náradia na vzduch. Potiahnutím ventilu na uvoľnenie tlaku uvoľnite vzduch.
4. Podľa pokynov v časti „Vypustenie nádrže na vzduch“ vypust'ite vodu z nádoby.
5. Výrobok očist'ite suchou handrou.
6. Hadicu navíňte na konzoly na navinutie hadice.
7. Výrobok prenášajte držiak za rúčku na prenášanie.
8. Vzduchový kompresor skladujte v jeho bežnej prevádzkovej polohe na suchom a chránenom mieste.

VAROVANIE

Ak sa vzduchový kompresor nepoužíva, v jeho nádrži bude kondenzovať voda. Voda v nádrži spôsobí oslabenie a koróziu nádrže, čím sa zvýši riziko prasknutia nádrže.

VAROVANIE

Vždy odpojte vzduchovú hadicu od náradia, ak sa nepoužíva, a počas vykonávania servisu. Počas údržby sa môže náradie pripojené k vzduchovej hadici náhodne spustiť a môže spôsobiť vážne osobné poranenie!

VAROVANIE

Opomenutie vybrať akumulátor zo vzduchového kompresora pred jeho uskladnením môže mať za následok nepretržité spustenie kompresora, ktoré spôsobí prehriatie a poškodenie kompresora a možný požiar.

ÚDRŽBA

VŠEOBECNÁ ÚDRŽBA

- Vyhýbajte sa použitiu rozpúšťadiel pri čistení plastových častí. Väčšina plastov je náchylných na poškodenie rôznymi druhmi komerčných rozpúšťadiel a ich používaním sa môžu poškodiť. Na odstránenie nečistoty, prachu, oleja, mazadla atď. použite čistú handričku.
- Dbajte na to, aby do kontaktu s plastovými dielmi nikdy neprišli do kontaktu brzdové kvapaliny, benzín, ropné produkty, prenikavé oleje a pod. Chemikálie môžu poškodiť, oslabiť, alebo zničiť plastové časti a tak spôsobiť vážne zranenie.
- Vždy uvoľnite všetok tlak, vyberte akumulátor a nechajte výrobok vychladnúť tak, aby ste sa ho mohli pred čistením alebo vykonávaním opráv dotknúť.
- Produkt žiadnym spôsobom neupravujte ani nepoužívajte príslušenstvo, ktoré neschválil výrobca. Môže dôjsť k narušeniu bezpečnosti vás i iných osôb.
- Produkt nepoužívajte, ak akékoľvek spínače, ochranné kryty či iné funkcie nefungujú podľa ich účelu. Odovzdajte zariadenie do autorizovaného servisného centra na profesionálnu opravu alebo úpravu.
- Pred vykonávaním nastavení, mazania alebo akejkoľvek údržby výrobku vždy z výrobku vyberte súpravu batérií.
- Pred a po každom použití skontrolujte, či produkt nie je poškodený alebo nemá zlomené diely. Produkt udržiavajte v špičkovom prevádzkovom stave – okamžite vymeňte súčasti za náhradné diely schválené výrobcom.

VAROVANIE

Pre vyššiu bezpečnosť a spoľahlivosť sa musia všetky opravy vykonávať v autorizovanom servisnom centre.



OCHRANA ŽIVOTNÉHO PROSTREDIA



Surové materiály recyklujte, nelikvidujte ich ako odpad. Stroj, príslušenstvo a obaly by sa mali triedene recyklovať spôsobom šetrným k životnému prostrediu.

SYMBOLY NA PRODUKTE



Buďte ostražití



Pred zapnutím zariadenia si prosím prečítajte inštrukcie



Zhoda CE



Euroázijská značka zhody



Ukrajinské označenie zhody



Pri práci so zariadením vždy používajte okuliare.



Používajte chrániče sluchu.



Použitie v interiéri



Upozornenie na mokrý stav. Nevystavujte dažďu Skladujte v interiéri.



Riziko pri vdýchnutí. Vzduch získaný priamo zo vzduchového kompresora sa nesmie nikdy používať ako prívod vzduchu na ľudskú spotrebu.



Riziko prasknutia. Nenastavujte regulátor tak, aby bol výstupný tlak vyšší než maximálny tlak vyznačený na pripojenej jednotke. Nepoužívajte tlak vyšší než 10 barov.



Tento kompresor sa môže spustiť bez varovania.



Nebezpečenstvo požiaru alebo výbuchu. Priestor rozprašovania musí byť dobre vetraný. Počas rozprašovania nefajčite a nesprejujte do priestorov, kde sa môžu nachádzať iskry alebo plameň. Kompresory udržiavajte podľa možnosti čo najďalej od miesta rozprašovania. Kompresor udržiavajte minimálne 10 m od priestoru rozprašovania a všetkých výbušných výparov.



Regulovaný tlak



Tlak v nádrži



Opatrebované elektrické zariadenia by ste nemali odhadzovať do domového odpadu. Prosíme o recykláciu ak je možné. Kontaktujte miestne úrady, alebo predajcu pre viac informácií ohľadom ekologického spracovania.

SYMBOLY V NÁVODE



Diely alebo príslušenstvo predávané samostatne



Poznámka



Varovanie

Nasledujúce značky a významy vysvetľujú úroveň rizika spojeným s výrobkom.

NEBEZPEČENSTVO

Označuje bezprostredne nebezpečnú situáciu, ktorá, ak jej nepredídete, spôsobí usmrtenie alebo vážne poranenie.

VAROVANIE

Označuje potenciálne nebezpečnú situáciu, ktorá, ak jej nepredídete, môže spôsobiť usmrtenie alebo vážne poranenie.

UPOZORNENIE

Označuje potenciálne nebezpečnú situáciu, ktorá, ak jej nepredídete, môže spôsobiť menšie alebo stredne závažné poranenie.

UPOZORNENIE

(Bez výstražnej značky s výkričníkom) Označuje situáciu, ktorá môže zapríčiniť škody na majetku.



EN
FR
DE
ES
IT
NL
PT
DA
SV
FI
NO
RU
PL
CS
HU
RO
LV
LT
ET
HR
SL
SK
BG
UK
TR
EL

Безопасността, работните характеристики и надеждността са аспектите, на които е отделен най-голям приоритет при проектирането на вашия въздушен компресор.

ПРЕДНАЗНАЧЕНИЕ

Компресорът е предназначен само за осигуряване на нагнетен въздух. Той не трябва да се използва за компресиране на други газове.

Продуктът е предназначен за работа с пневматични инструменти и за напompване на обекти с високо налягане, като например автомобилни и велосипедни гуми.

Продуктът е разработен, за да бъде използван от възрастни, които са прочели и разбрали инструкциите и предупрежденията в настоящото ръководство и могат да бъдат считани като отговорни за своите действия.

Изделието е предназначено за употреба само на закрито.

Не го използвайте за никакви други цели. Използването на електрически инструменти за различни от предвидените от производителя приложения повишава опасността от възникване на трудови злополуки.

ОБЩИ ПРЕДУПРЕЖДЕНИЯ ЗА БЕЗОПАСНОСТ

⚠ ПРЕДУПРЕЖДЕНИЕ

Прочетете всички предупреждения относно безопасността и всички инструкции. Неспазването на предупрежденията и инструкциите може да доведе до токов удар, пожар и/или сериозни наранявания.

Съхранявайте всички предупреждения и инструкции за бъдещи справки.

⚠ ПРЕДУПРЕЖДЕНИЕ

При използване на електрически инструменти трябва да се спазват всички основни мерки за безопасност, за да се намали рискът от пожар, токов удар или физически наранявания. Прочетете настоящите инструкции, преди да опитате да работите с продукта, и ги запазете.

БЕЗОПАСНОСТ НА РАБОТНАТА ЗОНА

- Поддържайте работната зона чиста. Безпорядъкът в зоните предразполага за инциденти. Не оставяйте инструменти или парчета дърво върху продукта, докато той работи.
- Не използвайте продукта в опасни среди. Не използвайте продукта на влажни или мокри места и не го излагайте на дъжд. Поддържайте работното пространство добре осветено.
- Не позволявайте на деца и странични наблюдатели да стоят в близост по време на работа с уреда. Всички странични наблюдатели трябва да носят предпазни очила и да стоят на безопасно разстояние от работното пространство. Не

позволявайте посетителите да влизат в контакт с продукта преди използването му.

- Никога не работете с уреда в експлозивна среда. Работещият двигател произвежда искри, които могат да запалят горивните изпарения.

ЕЛЕКТРИЧЕСКА БЕЗОПАСНОСТ

- Ако който и да е електрически компонент на продукта не функционира правилно, изключете захранването от превключвателя, извадете акумулаторната батерия от продукта и я поставете отново, преди да възобновите работата.
- Не излагайте продукта на дъжд или влажни условия. Проникването на вода в електрическия инструмент повишава опасността от токов удар.

ЛИЧНА БЕЗОПАСНОСТ

- Бъдете нащрек и упражнявайте контрол през цялото време. Внимавайте какво правите и проявявайте благоразумие. Не боравете с механизирани инструменти, когато сте изморени. Не привързвайте.
- Обличайте се целесъобразно. Не носете широки дрехи, вратовръзки или украшения, които могат да се захванат от движещите се части. При работа на открито се препоръчват гумени ръкавици и пригодени против плъзгане (с каучукова подметка) обувки. Носете защитно покритие, което да прибира дългата коса.
- Винаги по време на работа носете защитни очила със странични екрани. Обикновените очила за ежедневна употреба имат лещи, които могат да ви предпазят само от удар; те не са защитни очила.
- Предпазвайте белите си дробове. Носете маска за лице или противопрахова маска, ако операцията е прашна.
- Предпазвайте слуха си. Носете предпазни средства за слуха при продължителни периоди на работа.
- Не се протягайте, за да работите на трудно достижими места. Винаги стъпвайте стабилно по време на работа и пазете равновесие.
- Махнете всички гаечни и френски ключове, използвани за регулиране на инструмента. Изградете си навика да проверявате дали гаечните и френските ключове са премахнати от инструмента, преди да го включите.

ИЗПОЛЗВАНЕ И ОБСЛУЖВАНЕ НА ВЪЗДУШНИЯ КОМПРЕСОР

- Не надвишавайте номиналните стойности за налягането на който и да е компонент на системата.
- Предпазвайте маркучите за материал и за въздух от повреда или спукване. Дръжте маркуча далеч от остри предмети, разплетени химични вещества, масло, разтвори и мокър под.
- Проверявайте маркучите за течове или износване преди всяка употреба и проверявайте дали всички връзки са добре закрепени. Да не се използва, ако се открие дефект. Купете нов маркуч или се свържете с упълномощен сервиз за преглед или ремонт.





- Освободете бавно цялото налягане в системата. Прахът и остатъците може да са опасни.
- Когато не се използва, съхранявайте въздушния компресор на място, недостъпно за деца и други необучени лица. Въздушните компресори са опасни в ръцете на необучени потребители.
- Поддръжката на въздушния компресор трябва да се извършва внимателно. Спазвайте инструкциите за поддръжка. Правилно поддържаните продукти са по-лесни за контролиране.
- Проверявайте за неизправности или закливане в подвижните елементи, за счупени части или други обстоятелства, които могат да влошат работата на електрическия инструмент. Ако продуктът се повреди, той трябва да бъде поправен, преди да го използвате отново. Много от трудовете злополуки се дължат на недобре поддържани продукти.
- Поддържайте външната част на продукта суха, чиста и без масло и смазка. Винаги използвайте чист парцал за почистване. Никога не използвайте спирални течности, бензин, продукти на нефтена основа или други силни разтворители за почистване на уреда. Спазването на това правило ще намали риска от влошаване на пластмасата на корпуса.

СЕРВИЗНО ОБСЛУЖВАНЕ

- При обслужване използвайте само идентични резервни части за смяна. Използването на други части може да ви постави в опасност или да повреди продукта.

Запазете това ръководство. Правете често справка с тях и ги използвайте, за да инструментирате други лица. Ако заемате на някого инструмента, предайте му също и тези инструкции.

ПРЕДУПРЕЖДЕНИЯ ЗА БЕЗОПАСНОСТ ПРИ РАБОТА С ВЪЗДУШЕН КОМПРЕСОР

- Опознайте вашия продукт. Прочетете внимателно ръководството за оператора. Научете приложенията и ограниченията на продукта, както и специфичните потенциални рискове, свързани с продукта. Спазването на това правило ще намали опасността от токов удар, пожар или сериозни физически наранявания.
- Източвайте влагата от бутилката с въздух в края на всеки ден, в който се използва. Ако продуктът няма да се използва известно време, най-добре е да се остави отворен изпускателният вентил до следващата употреба. Така влагата ще може да се източни напълно и това ще помогне за предотвратяването на корозия във вътрешността на бутилката.
- Опасност от пожар или експлозия Не разпръсквайте запалима течност в затворено пространство. Зоната за пръскане трябва да е добре проветрена. Не пушете, докато разпръсквате, и не разпръсквайте на места, където има искри или открит огън. Дръжте продукта най-малко на 10 m (33 фута) разстояние от зоната на разпръскване и всякакви избухливи изпарения.
- Риск от спукване. Не настройвате регулатора така, че изходното налягане да е по-високо от

отбелязаното максимално налягане на приставката. Да не се използва при налягане, по-голямо от 8.3 бара.

- За да намалите опасността от електрически удар, не го излагайте на дъжд. Съхранявайте продукта на закрито.
- Проверявайте ежегодно бутлката за ръжда, пробити отвори или други дефекти, които биха могли да я направят опасна.
- Никога не заварявайте и не пробивайте отвори в бутилката.
- Уверете се, че маркучът не е запушен или повреден. Заплетените или усукани маркучи могат да доведат до загуба на равновесие или опора и могат да се повредят.
- Използвайте продукта само по предназначение. Не променяйте и не модифицирайте уреда в разрез с първоначалното му предназначение или функция.
- Винаги имайте предвид, че употреба, която е неправилна или не по предназначение, може да доведе до нараняване на вас или околните.
- Никога не оставяйте продукта без надзор, докато маркучът за въздух е прикрепен към инструмент.
- Никога не насочвайте пневматичен инструмент към себе си или към други лица.
- Не използвайте продукта, ако върху него няма четлив предупредителен етикет.
- Прекратете използването на продукта или маркуч, ако има изпускане на въздух или ако не функционира правилно.
- Винаги изключвайте подаването на въздух и изваждайте акумулаторната батерия, преди да извършвате настройки и сервизно обслужване или когато не използвате продукта.
- Не се опитвайте да дърпате или да пренасяте уреда, държейки го за маркуча.
- Възможно е даден инструмент да изисква повече консумация на въздух от капацитета на продукта.
- Винаги спазвайте всички правила за безопасност, препоръчани от производителя на пневматичния инструмент в допълнение към всички правила за безопасност за въздушния компресор. Като следвате това правило ще намалите опасността от сериозни наранявания.
- Никога не насочвайте сгъстен въздух и не издухвайте прах към хора или животни. Внимавайте да не издухате прах или мръсотия към себе си или към други хора. Като следвате това правило ще намалите опасността от сериозни наранявания.
- Не използвайте продукта за разпръскване на химични вещества. Белите ви дробове може да увредят от вдишването на токсични изпарения. Може да е необходим респиратор в прашни среди или при разпръскване на боя. Не носете продукта, докато боядисвате.
- Проверявайте периодично кабелите и маркучите на продукта и при наличие на повреда ги отнесете за ремонт в най-близкия упълномощен сервиз. Трябва непрекъснато да сте наясно с местоположението на кабела. Като следвате това правило ще намалите





опасността от електрически удар или пожар.

- Проверявайте за неизправности или закливане в подвижните елементи, за счупени части или други обстоятелства, които могат да влошат работата на електрическия инструмент. Ако продуктът се повреди, той трябва да бъде поправен, преди да го използвате отново. Много от трудовете злополуки се дължат на недобре поддържани продукти.
- Когато се налага фиксирани предпазители да бъдат отстранени с цел профилактика или ремонт, системите за фиксирането им трябва да останат прикрепени към предпазителя или машината при отстраняването на предпазителите.
- Никога не съхранявайте продукта със свързан маркуч за въздух. Съхраняването на инструмента, докато е свързан към въздухоподаването, може да доведе до необичайно функциониране, задействане или движение и до евентуално физическо нараняване.
- Предпазвайте белите си дробове. Носете маска за лице или противопрохова маска, ако операцията е прашна. Като следвате това правило ще намалите опасността от сериозни наранявания.
- Запазете това ръководство. Препоричавайте го редовно и го използвайте, когато трябва да инструктирате друго лице, което ще борави с този продукт. Ако заемате на някого инструмента, предайте му и това ръководство.
- Управлявайте продукта от предната страна на контролния панел.
- Когато продуктът се използва, много от частите на машината могат да генерират висока температура. Използвайте необходимите лични предпазни средства, като например ръкавици, за да избегнете наранявания поради висока температура.
- Продуктът не е предназначен за използване от лица (включително деца) с намалени физически, сетивни или умствени способности или от лица, които нямат необходимите опит и познания. Децата трябва да бъдат надзирани, за да се гарантира, че не си играят с уреда.

ПРЕДУПРЕЖДЕНИЯ ЗА БЕЗОПАСНОСТ НА АКУМУЛАТОРА И ЗАРЯДНОТО УСТРОЙСТВО

⚠ ПРЕДУПРЕЖДЕНИЕ

За да избегнете опасността от пожар, предизвикана от късо съединение, както и нараняванията и повредите на продукта, не поталяйте инструмента, сменяемата акумулаторна батерия или зарядното устройство в течности и се погрижете в уредите и акумулаторните батерии да не попадат течности. Течностите, предизвикващи корозия или провеждащи електричество, като солена вода, определени химикали, избелващи вещества или продукти, съдържащи избелващи вещества, могат да предизвикат късо съединение.

- Презареждайте единствено със зарядното устройство, посочено от производителя. Зарядно устройство, подходящо за зареждане на

един вид батерии, може да предизвика риск от пожар, ако бъде използвано за други батерии.

- Използвайте електрически инструменти с батерии единствено със специално предназначение за тях батерии. Използването на всякакви други батерии може да създаде риск от нараняване и пожар.
- Когато батерията не се използва, съхранявайте я далеч от други метални обекти, като например кламери, монети, ключове, гвоздеи, гайки или други малки метални обекти, които могат да направят връзка между клемите. Късото съединение от клемите може да доведе до изгаряния или пожар.
- При неправилно използване батерията може да отдели течност; избягвайте контакт. Ако случайно настъпи контакт, промийте с вода. Ако течността влезе в контакт с очите, потърсете допълнително медицинска помощ. Отделената от батерията течност може да причини възпаление или изгаряния.
- Не е нужно инструментите с батерии да бъдат включвани в електрически контакт; следователно те винаги са в работно състояние. Внимавайте за възможни опасности, когато не използвате своя инструмент с батерия или сменяте принадлежности. Спазването на това правило ще намали опасността от токов удар, пожар или сериозни физически наранявания.
- Не оставяйте инструменти с батерии или техните батерии близо до огън или топлина. Това ще намали опасността от експлозия и вероятността за наранявания.
- Пазете батерията от силни удари, падане или повреди. Не използвайте батерия или зарядно устройство, които са били изпуснати или силно ударени. Повредената батерия може да причини експлозия. Изхвърляйте незабавно на подходящите места батерии, които са били изпуснати или повредени.
- Батериите могат да експлодират в присъствието на запалителни източници, като например пилотна лампа. За да намалите опасността от сериозни физически наранявания, никога не използвайте каквито и да било безжични продукти в присъствието на открит огън. Експлодиралата батерия може да отдели отломки и химикали. При контакт с подобни незабавно измийте засегнатото място с вода.
- Никога не презареждайте инструмент с батерии на мокри или влажни места. Като следвате това правило ще намалите опасността от електрически удар.
- За най-добри резултати трябва да зареждате своя инструмент с батерии на място, където температурата е над 10°C, но под 38°C. За да намалите риска от сериозни физически наранявания, не го оставяйте на открито или в превозни средства.
- При използването в екстремни условия или температури батерията може да протече. Ако течност влезе в контакт с кожата Ви, незабавно

EN
FR
DE
ES
IT
NL
PT
DA
SV
FI
NO
RU
PL
CS
HU
RO
LV
LT
ET
HR
SL
SK
BG
UK
TR
EL





измийте със сапун и вода. Ако течността влезе в контакт с очите ви, промийте ги с чиста вода за поне 10 минути, след което незабавно потърсете медицинска помощ. Като следвате това правило ще намалите опасността от сериозни наранявания.

- Не използвайте акумулаторна батерия, която е повредена или променена по някакъв начин. Повредените или променени батерии могат да работят по непредсказуем начин, което да доведе до пожар, взрив или опасност от наранявания.
- Не променяйте и не се опитвайте да поправите акумулаторна батерия, която е била повредена.
- Не излагайте акумулаторната батерия или инструмент на огън или прекалено висока температура. Излагането на огън или на температура над 130°C може да причини взрив.
- Следвайте всички инструкции за зареждане и не зареждайте акумулаторната батерия или инструмента извън температурния диапазон, посочен в инструкциите. Неправилното зареждане или зареждането при температури извън посочения диапазон може да повреди батерията и да увеличи риска от пожар.

ТРАНСПОРТИРАНЕ НА ЛИТИЕВИ БАТЕРИИ

Транспортирайте батериите в съответствие с местните и национални постановления и разпоредби.

Спазвайте всички специални изисквания за пакетиране и етикетирание, когато транспортирате батерии чрез трето лице. Уверете се, че батериите не влизат в контакт с други батерии или проводими материали по време на транспортиране, като предпазите откритите конектори с изолация, непроводими капачета или лента. Не транспортирайте батерии, които са спукани или текат. Свържете се със следната компания за допълнителен съвет.

БАТЕРИИ

Акумулаторните батерии, които не са били използвани известно време, трябва да се презареждат преди употреба.

Температури над 50°C (122°F) намаляват ефективността на акумулаторната батерия. Избягвайте продължително излагане на топлина или слънчева светлина (риск от прегряване).

Контактните проводници на зарядните устройства и акумулаторните батерии трябва да се поддържат чисти.

За да се гарантира оптимален срок на използване на акумулаторните батерии, те трябва да се зареждат напълно след употреба.

За да гарантирате възможно най-дълъг срок на използване на акумулаторната батерия, я изваждайте от зарядното устройство, след като се зареди напълно.

За съхраняване на батерията над 30 дни:

- Съхранявайте батерията на места, където температурата е под 27°C и липсва влага.
- Съхранявайте батериите при заредено състояние от 30%-50%.

- На всеки шест месеца съхранение, зареждайте батериите по обичайния начин.

ЗАЩИТА НА АКУМУЛАТОРНАТА БАТЕРИЯ

Акумулаторната батерия има защита от презареждане, която я предпазва от прекомерно зареждане и помага за увеличаването на нейния експлоатационен цикъл. При прекомерно натоварване електрониката в батерията изключва продукта автоматично. За да продължите работа, изключете инструмента и отново го включете. Ако продуктът не се стартира отново, акумулаторната батерия може да не се е разредила докрай. В такъв случай тя трябва да се зареди в зарядното устройство за батерията.

НЕПРЕДВИДЕНИ РИСКОВЕ

Дори когато продуктът се използва по предназначение, е невъзможно напълно да се ограничи влиянието на определени рискови фактори. Могат да възникнат следните опасности и операторът трябва да обърне особено внимание, за да ги избегне:

- Използвайте продукта само по предназначение. Не променяйте и не модифицирайте уреда в разрез с първоначалното му предназначение или функция.
- Винаги имайте предвид, че употреба, която е неправилна или не по предназначение, може да доведе до нараняване на вас или околните.
- Никога не оставяйте продукта без надзор, докато маркучът е прикрепен към инструмента.
- Прекратете използването на продукта или маркуч, ако има изпускане на въздух или ако не функционира правилно.
- Риск от спукване.
 - Не настройвате регулатора така, че изходното налягане да е по-високо от отбелязаното максимално налягане на приставката.
- Генерират се топлината и висока температура, докато работят моторът и бутилката. Доковането на оголени метални повърхности може да доведе до сериозни изгаряния.
 - Винаги дръжте компресора далеч от работните зони.
- Наранявания, причинени от шум
 - Носете антифони
- Газът от въздушния компресор може да задвижва мръсотия, стружки, лабави частици и малки обекти при висока скорост. Това може да доведе до отскачането на предмети към очите или до друго евентуално сериозно нараняване.
 - Винаги носете подходящи лични предпазни средства при работа с различни инструменти.

ОПОЗНАЙТЕ ВАША ПРОДУКТ

Вж. страница 195.

1. Скоби за обшивката на маркуча
2. Съединител за бързо прикачване
3. PCL високодебитен мъжки съединител 1/4" BSP
4. Манометър на бутилката
5. Регулатор на налягането





EN
FR
DE
ES
IT
NL
PT
DA
SV
FI
NO
RU
PL
CS
RO
HU
LV
LT
ET
HR
SL
SK
BG
UK
TR
EL



6. Манометър на регулатора
7. Ръкохватка за пренасяне
8. Предпазен вентил
9. Превключвател ПУСКАНЕ/СПИРАНЕ
10. Батерия
11. Изпускателен вентил
12. Бутон за нулиране

РАЗОПАКОВАНЕ

Огледайте внимателно продукта, за да се уверите, че не са възникнали повреди или счупвания по време на транспорта.

Огледайте внимателно продукта и се уверете, че работи правилно, преди да изхвърлите опаковъчния материал.

⚠ ПРЕДУПРЕЖДЕНИЕ

Ако има липсващи или повредени части, не използвайте този продукт, преди те да бъдат заменени. Използването на този продукт при наличието на повредени или липсващи части може да доведе до сериозни физически наранявания.

⚠ ПРЕДУПРЕЖДЕНИЕ

Не опитвайте да промените този продукт или да създавате принадлежности, които не са препоръчани за употреба с него. Всяка подобна поправка или промяна е некоректна употреба и може да създаде опасни условия и да нанесе сериозни физически наранявания.

⚠ ПРЕДУПРЕЖДЕНИЕ

За да избегнете случайно стартиране, което може да доведе до сериозни физически наранявания, винаги отстранявайте батерията от продукта по време на сглобяване.

РАБОТА

ПОДГОТОВКА

Прикрепване/разкачване на маркуч за въздух

Вж. страница 196.

ЗАБЕЛЕЖКА: При работа под налягане над 7 bar (102 psi) маркучите за подаване трябва да бъдат снабдени с предпазен кабел, напр. телено въже.

1. Уверете се, че превключвателят за вкл./изкл. е на положение OFF (O) и че акумулаторната батерия е извадена.
2. Дръпнете копчето за регулиране на налягането навън, за да можете да направите настройка. Завъртете докрай копчето за регулиране на налягането по посока на часовниковата стрелка.
3. Потвърдете, че изходното налягане е 0 (нула) bar.
4. Прикрепете маркуч за въздух с конектор 6,35 mm (1/4 инча) със съединител за бърза връзка към въздушния компресор. Натиснете конектора докрай в съединителя, докато втулката на съединителя изскочи напред и го застопори.

За да разкачите маркуч или инструмент за въздух:

1. Дръпнете копчето за регулиране на налягането навън, за да можете да направите настройка. Завъртете докрай копчето за регулиране на налягането по посока на часовниковата стрелка.
2. Потвърдете, че изходното налягане е 0 (нула) bar.
3. Дръпнете втулката на бързия съединител 6,35 mm (1/4 инча) назад. Стиснете здраво конектора на маркуча и го издръпайте от бързия съединител.

Свързване/разкачване на акумулаторна батерия

1. Уверете се, че превключвателят за вкл./изкл. е на положение OFF (O).
2. Поставете акумулаторна батерия в порта за батерия.
3. Преди да започнете работа, се уверете, че фиксаторите от всяка страна на батерията шракват на място и батерията е застопорена в инструмента.
4. Натиснете фиксаторите, за да извадите пакета с батерии.
5. За пълните инструкции за зареждане вж. ръководствата на потребителя за съответната акумулаторна батерия и зарядното устройство.

ИЗПОЛЗВАНЕ НА ВЪЗДУШНИЯ КОМПРЕСОР

⚠ ОПАСНОСТ

Не разглобявайте клапаните за източване или предпазния клапан с въздух в резервоара за въздух. Изпуснете въздуха от резервоара. Ако не разгерметизирате резервоара за въздух, това може да доведе до взрив и/или сериозно физическо нараняване.

⚠ ПРЕДУПРЕЖДЕНИЕ

Винаги носете предпазни средства за очите с защитни странични щитове. Ако не го направите, някакви частици могат да ви влязат в очите, което води до възможни сериозни наранявания.

⚠ ПРЕДУПРЕЖДЕНИЕ

Не използвайте никакви приставки и аксесоари, които не са препоръчани от производителя на продукта. Използването на непрепоръчани приставки и принадлежности може да доведе до сериозни физически наранявания.

⚠ ПРЕДУПРЕЖДЕНИЕ

Не прикрепяйте никакви инструменти към отворения край на маркуча, докато не завърши стартирането.

⚠ ПРЕДУПРЕЖДЕНИЕ

Винаги отстранявайте акумулаторната батерия от инструмента при сглобяване на частите, извършване на настройки, почистване или когато не се използва. Отстраняването на акумулаторната батерия ще предотврати случайно пускане, което може да причини сериозни наранявания.





⚠ ПРЕДУПРЕЖДЕНИЕ

Да не се използва в запрашена или замърсена по друг начин среда. Използването на въздушния компресор в такава среда може да повреди продукта.

Регулиране на налягането на въздуха

Вж. страница 197.

1. Уверете се, че превключвателят за вкл./изкл. е на положение OFF (O) и че акумулаторната батерия е разкачена.
2. Свържете батерията към продукта.
3. Натиснете превключвателя за вкл./изкл. на положение ON (I).
4. Дръпнете копчето за регулиране на налягането навън, за да можете да направите настройка.
5. Завъртете копчето за регулиране на налягане до желаното налягане. При завъртане на копчето по посока на часовниковата стрелка се увеличава изходното налягане на въздуха. При завъртане обратно на часовниковата стрелка изходното налягане на въздуха намалява. Натиснете копчето за регулиране на налягането, за да деактивирате функцията за регулиране.
6. След като вземете всички предпазни мерки в настоящото ръководство и инструкциите на производителя в ръководството на инструмента с въздух, можете да продължите да използвате своя захранван с въздух инструмент.

⚠ ПРЕДУПРЕЖДЕНИЕ

Захранваните с въздух инструменти може да изискват повече въздух, отколкото може да предостави този въздушен компресор. Проверете ръководството на инструмента, за да избегнете повреда или риск от физически нараняване.

7. Контролирайте количеството на въздушния поток чрез копчето за регулиране на налягането. При завъртане на копчето докрай обратно на часовниковата стрелка въздушният поток ще спре.

ЗАБЕЛЕЖКА: Винаги използвайте минималното налягане, необходимо за работата ви. Ако използвате по-високо налягане от необходимото, това ще източи по-бързо въздуха в резервоара и ще доведе до по-често включване на уреда.

8. За да изключите въздушния компресор, завъртете превключвателя на захранването на положение OFF (O).

ЗАБЕЛЕЖКА: Когато компресорът е в положение ON (I), ще се включи автоматично, когато налягането на въздуха в резервоара падне под предварително зададената граница. Когато желаното налягане бъде достигнато, уредът ще се изключи.

⚠ ПРЕДУПРЕЖДЕНИЕ

Никога не надвишавайте препоръчаното от производителя номинално налягане на инструмента за въздух. Когато използвате този въздушен компресор като устройство за надуване, винаги следвайте насоките за максимална степен на надуване, посочени от производителя на съответния продукт.

⚠ ПРЕДУПРЕЖДЕНИЕ

Винаги се уверявайте, че превключвателят за вкл./изкл. е на положение OFF (O) и че манометърът на регулатора отчита нула, преди да смените инструменти с въздух или да разкачите маркуча от извода за въздух. Несъобразяването с това предупреждение може да доведе до сериозни контузии.

9. Когато приключвате работа, винаги изпразвайте резервоара и премахвайте акумулаторната батерия. Никога не оставяйте продукта работещ или свързан към акумулаторната батерия.

ИЗТОЧВАНЕ НА РЕЗЕРВОАРА ЗА ВЪЗДУХ

Вж. страница 198.

За да се предотврати корозия на резервоара на компресора и в него да не влиза влага, той трябва да се изпразва ежедневно.

За да изпразните резервоара за въздух:

1. Уверете се, че превключвателят за вкл./изкл. е на положение OFF (O).
2. Отстранете батерията.
3. Дръпнете пръстена на клапана за освобождаване на налягането, докато манометърът на резервоара отчете по-малко от 1,4 bar (20 PSI).
4. Пуснете пръстена.
5. Завъртете лоста на клапана за изпразване обратно на часовниковата стрелка, за да източите влагата.

ЗАБЕЛЕЖКА: Кондензатът е замърсител и трябва да се изхвърля според местните разпоредби.

6. Завъртете лоста на клапана за изпразване по посока на часовниковата стрелка, за да затворите клапана.

БУТОН ЗА НУЛИРАНЕ

Когато токът в двигателя на въздушния компресор надвиши указания за уреда, компресорът ще се изключи автоматично.

За да рестартирате въздушния компресор:

1. Отстранете батерията.
2. Спрете продукта.
3. Изчакайте три минути, за да се охлади двигателят.
4. Натиснете бутона за нулиране.
5. Свържете батерията към продукта.
6. Включете продукта.

СМЯНА НА СЪЕДИНИТЕЛ

Вж. страница 199.

1. Уверете се, че превключвателят за вкл./изкл. е на положение OFF (O).
2. Отстранете батерията.
3. Дръпнете пръстена на клапана за освобождаване на налягането, докато манометърът на резервоара отчете по-малко от 1,4 bar (20 PSI).
4. Пуснете пръстена.
5. С помощта на гаечен ключ разхлабете и махнете съединителя, като го завъртите обратно на часовниковата стрелка.



6. С помощта на гаечен ключ монтирайте нов съединител и го затегнете чрез завъртане по посока на часовниковата стрелка.

ТРАНСПОРТИРАНЕ И СЪХРАНЕНИЕ

Вж. стр. 200 – 201.

1. Уверете се, че превключвателят за вкл./изкл. е на положение OFF (O).
2. Отстранете батерията.
3. Включете инструмента за въздух, за да освободите въздушното налягане в маркуча, след това премахнете маркуча и инструмента за въздух. Изпуснете въздуха, като дръпнете клапана за освобождаване на налягането.
4. Източете водата от резервоара според инструкциите в раздела "Изпразване на резервоара".
5. Почиствайте само със суха кърпа.
6. Навийте маркуча за въздух около скобите.
7. Носете продукта за предвидената ръкохватка.
8. Съхранявайте продукта в нормалната му положение за работа, на сухо и защитено място.

⚠ ПРЕДУПРЕЖДЕНИЕ

Когато компресорът работи, в резервоара му кондензира вода. Водата, останала в резервоара, може да го отслаби и той да корозира, което повишава риска от скъсване.

⚠ ПРЕДУПРЕЖДЕНИЕ

Винаги разкачвайте маркуча за въздух от инструментите, когато не ги използвате или по време на обслужване. При извършване на поддръжка инструмент, свързан към маркуч за въздух, може да бъде задействан непреднамерено и това да доведе до сериозно физическо нараняване!

⚠ ПРЕДУПРЕЖДЕНИЕ

Ако не извадите акумулаторната батерия от въздушния компресор, преди да го приберете за съхранение, това може да доведе до непрекъсната работа на компресора, до прегряване, повреда и вероятно до пожар.

ПОДДРЪЖКА

ОСНОВНА ПОДДРЪЖКА

- Избягвайте използването на разтворители при почистването на пластмасовите части. Повечето пластмаси са чувствителни към различни видове разтворители и може да се повредят при използването на такива. Използвайте чисти парцали, за да премахнете кал, прах, масло, грес и т.н.
- В никакъв случай не позволявайте пластмасовите части да влизат в контакт със спирачни течности, нефтени продукти, проникващи масла и т.н. Химикалите могат да повредят, отслабят или унищожат пластмасата, което може да доведе до

сериозни физически наранявания.

- Преди почистване или ремонт винаги освобождавайте цялото налягане, изваждайте акумулаторната батерия и оставайте продукта да изстине, докато можете спокойно да го докосвате.
- По никакъв начин не модифицирайте машината и не използвайте принадлежности, които не са одобрени от производителя. Безопасността Ви и тази на другите може да бъде компрометирана.
- Не използвайте машината, ако някои превключватели, предпазни устройства или други функции не работят по предназначение. Занесете izdelieto на упълномощен сервизен център за професионален ремонт или настройка.
- Винаги проверявайте дали акумулаторната батерия е извадена от продукта преди извършване на настройки, смазване, или когато извършвате каквато и да е поддръжка на машината.
- Преди и след всяко използване, проверявайте машината за повреда или счупени части. Съхранявайте машината в перфектно работно състояние като незабавно заменяте части с резервни части, препоръчани от производителя.

⚠ ПРЕДУПРЕЖДЕНИЕ

За по-голяма безопасност и надеждност всички ремонти трябва да се извършват от оторизиран сервиз.

ОПАЗВАНЕ НА ОКОЛНАТА СРЕДА



Рециклиране на суровини, вместо за обезвреждане като отпадък. Машината, допълнителните приспособления и опаковките трябва да бъдат подложени на подходяща преработка за оползотворяване на съдържащите се в тях вторични суровини.

СИМВОЛИ НА ПРОДУКТА



Предупреждение относно безопасността



Прочетете инструкциите внимателно, преди да стартирате машината.



CE съответствие



EurAsian знак за съответствие



Украински знак за съответствие

001



Винаги носете предпазни очила при използване на машината.



Носете антифони.



Употреба на закрито



Предупреждение относно влажни условия Не излагайте на дъжд Да се съхранява на закрито.



Риск от вдишване. Въздухът, подаван директно от въздушния компресор, никога не трябва да се използва като въздух за дишане.



Риск от спукване. Не настройвате регулатора така, че изходното налягане да е по-високо от отбелязаното максимално налягане на приставката. Да не се използва при налягане, по-голямо от 10 бара.



Този компресор може да стартира без предупреждение.



Опасност от пожар или експлозия
Зоната за пръскане трябва да е добре проветрена. Не пушете, докато разпръсквате, и не разпръсквайте на места, където има искри или открит огън. Дръжте компресора възможно най-далече от зоната на пръскане. Дръжте компресора най-малко на 10 m разстояние от зоната на разпръскване и всякакви избухливи изпарения.



Регулирано налягане



Налягане на резервоара



Електрическите уреди не трябва да се изхвърлят заедно с битовите отпадъци. Рециклирайте, където има възможност. Обърнете се за съвет по рециклирането към местните власти или разпространителите.

СИМВОЛИ В НАСТОЯЩОТО РЪКОВОДСТВО



Частите или принадлежностите се продават отделно



Забележка



Предупреждение

Следните сигнални думи и техните съответни значения обясняват нивата на опасност, свързани с употребата на този продукт:

⚠ ОПАСНОСТ

Указва неминуемо опасна ситуация, която ако не бъде избегната, ще доведе до сериозни наранявания или смърт.

⚠ ПРЕДУПРЕЖДЕНИЕ

Указва потенциално опасна ситуация, която ако не бъде избегната, може да доведе до сериозни наранявания или смърт.

⚠ ВНИМАНИЕ

Указва потенциално опасна ситуация, която ако не бъде избегната, може да доведе до дребни или средни наранявания.

ВНИМАНИЕ

(Без предупредителен символ за безопасност) Указва ситуация, която може да доведе до имуществени щети.



EN
FR
DE
ES
IT
NL
PT
DA
SV
FI
NO
RU
PL
CS
HU
RO
LV
LT
ET
HR
SL
SK
BG
UK
TR
EL

Головними міркуваннями при розробці цього повітряного компресора були безпека, ефективність та надійність.

ПРИЗНАЧЕННЯ

Повітряний компресор призначений тільки для подавання повітря під тиском. Його не можна використовувати для стиснення будь-якого іншого газу. Пристрій призначений для накачування автомобільних та велосипедних шин та роботи з пневматичним інструментом.

Цей прилад призначено для використання тільки дорослими, які повністю прочитали та зрозуміли інструкції та попередження у цьому керівництві та можуть вважатися відповідальними за власні дії.

Пристрій слід використовувати тільки в приміщенні.

Не використовуйте пристрій для будь-яких інших цілей. Використання електричного інструменту для операцій, які відрізняються від призначених, може призвести до небезпечної ситуації.

ЗАГАЛЬНІ ПРАВИЛА БЕЗПЕКИ

▲ ПОПЕРЕДЖЕННЯ

Читайте всі правила безпеки та інструкції. Недотримання попереджень та інструкцій може призвести до ураження електричним струмом, пожежі та / або серйозної травми.

Збережіть всі інструкції і вказівки для майбутнього використання.

▲ ПОПЕРЕДЖЕННЯ

При використанні електричних інструментів слід завжди дотримуватися загальних правил техніки безпеки, щоб знизити ризик виникнення пожежі, ураження електричним струмом та отримання травм. Прочитайте ці інструкції перед початком роботи з цим продуктом і збережіть ці інструкції.

БЕЗПЕКА РОБОЧОГО МІСЦЯ

- Утримуйте робоче місце в чистоті. Засмічені місця і верстати можуть привести до нещасних випадків. Не залишайте інструменти або шматки дерева на пристрої в той час як він знаходиться в робочому стані.
- Не слід використовувати у небезпечних середовищах. Не використовуйте електроінструменти у вологих приміщеннях або під дощем. Робоче місце повинно бути добре освітлено.
- Не допускайте дітей та відвідувачів. Всі відвідувачі повинні носити захисні окуляри і триматися на безпечній відстані від робочої зони. Не дозволяйте нікому контактувати з пристроєм під час його використання.
- Ніколи не використовуйте пристрій у вибухонебезпечній атмосфері. Стандартне іскріння двигуна може запалити газ.

ЕЛЕКТРОБЕЗПЕКА

- Якщо будь-які компоненти не працюють належним чином, вимкніть перемикач живлення, вийміть акумуляторну батарею та замініть її перед початком роботи.
- Не надавайте електроінструменти впливу дощу або вологих умов. Вода, що потрапила в електроінструмент збільшує ризик ураження електричним струмом.

ОСОБИСТА БЕЗПЕКА

- Будьте уважні і контролюйте процес. Працюйте дуже уважно і керуйтеся здоровим глуздом. Не користуйтеся інструментом, якщо ви втомилися. Не поспішайте.
- Одягайтеся правильно. Не носіть вільний одяг, краватки чи прикраси, які можуть потрапити до пристрою та затягнути вас до рухомих частин. При роботі на відкритому повітрі рекомендується надягати гумові рукавички і неслизьке взуття. Носіть захисний волоссяний покрив, щоб вкрити довге волосся.
- Завжди носіть захисні окуляри з бічними щитками. Звичайні окуляри мають тільки ударостійкі лінзи; вони не є захисними окулярами.
- Захистіть ваші легені. Носіть маску для обличчя або маску від пилу, якщо операція курна.
- Захистити органи слуху. Під час тривалої експлуатації надягайте засоби для захисту органів слуху.
- Не тягніться. Зберігайте правильну стійку і баланс весь час.
- Видалити регульовальні й гайкові ключі. Сформуйте звичку перевіряти, що регульовальні ключі і гайкові ключі прибрані з інструменту перед його включенням.

ПОВІТРЯНИЙ КОМПРЕСОР. ВИКОРИСТАННЯ ТА ДОГЛЯД

- Не перевищуйте тиск на будь-який компонент пристрою.
- Захищайте трубопроводи та повітропроводи від пошкодження або проколу. Тримайте шланг якомога далі від гострих предметів, розливу хімічних речовин, оливи, розчинників та мокрої підлоги.
- Перед кожним використанням перевіряйте шланги на зношеність та надійність усіх з'єднань. Не використовуйте, у разі наявності пошкодження. Придбайте новий шланг або зверніться до сервісного центру щодо його перевірки та ремонту.
- Повільно зменшуйте тиск у системі. Пил та сміття можуть бути шкідливими.
- Зберігайте повітряні компресори якомога далі від дітей та інших ненавчених осіб. Повітряні компресори є небезпечними при використанні користувачами без навичок.
- Обережно поведіться з повітряними компресорами. Дотримуйтесь інструкцій з використання. Обслуговуйте пристрій належним чином.





- Перевірте розрегульовані або зв'язані рухомі частини, поломані частини і будь-які інші умови, які можуть вплинути на роботу електроінструменту. Якщо пошкоджений, відремонтуйте електроінструмент перед використанням. Багато нещасних випадків є наслідком поганого догляду за електроінструментом.
- Корпус пристрою повинен бути сухим, чистим від оливи та змащення. Для чищення завжди використовуйте чисту тканину. Забороняється використовувати для чищення виробу гальмівну рідину, паливо, продукти на основі нафти або міцні розчинники. Дотримання цього правила знизить ризик пошкодження корпусу.

СЕРВІС

- При обслуговуванні використовуйте тільки ідентичні запасні частини. Використання будь-яких інших деталей може створити небезпеку або спричинити пошкодження продукту.

Збережіть ці інструкції. Часто звертайтеся до них і проводити інструктаж для інших користувачів. Якщо ви позичаєте когось цей інструмент, передавайте йому також цю інструкцію.

ПОПЕРЕДЖЕННЯ З ТЕХНІКИ БЕЗПЕКИ ПІД ЧАС РОБОТИ З ПОВІТРЯНИМ КОМПРЕСОРОМ

- Знайте свій продукт. Прочитайте посібник оператора. Вивчіть призначення та обмеження для цього виробу, а також специфічні потенціальні небезпеки, пов'язані з ним. Слідування цьому правилу знизить ризик ураження електричним струмом, пожежі або серйозної травми.
- Кожного дня після використання зливайте рідину з бака для повітря. Якщо пристрій не буде використовуватися тривалий час, слід залишити клапан відкритим до наступного використання. Це дозволить повністю видалити вологу з середини та захистити бак для повітря зсередини від корозії
- Ризик загоряння або вибуху. Не розпилюйте легкозаймисту рідину у замкнутому просторі. Область розпилення повинна добре провітрюватися. Не паліть під час розпилення або не розпилюйте там де є іскри чи полум'я. Зберігайте пристрій на відстані 10 м від області розпилювання та вибухонебезпечних випарів.
- Ризик вибуху. Не регулюйте регулятор таким чином, щоб вихідний тиск був більшим, ніж зазначений максимальний тиск кріплення. Не використовуйте при тиску більше ніж 8.3 бар.
- Щоб зменшити ризик ураження електричним струмом, бережіть від дощу. Зберігайте пристрій у приміщенні.
- Перевіряйте повітряний компресор на наявність тріщин, отворів або інших недоліків, які можуть спричинити небезпеку у його роботі.
- Ніколи не зварюйте або не робіть отвори у баку для повітря.
- Переконайтесь, що для шланга немає перешкод. Зап'ятувані шланги можуть привести до втрати рівноваги і можуть бути пошкоджені.

- Використовуйте насос лише належним чином. Не розбирайте, не змінюйте оригінальний дизайн або функції.
- Завжди знайте, що неправильне використання і неправильне поводження з продуктом може призвести до травмування себе та інших.
- Ніколи не залишайте пристрій без нагляду, з повітряним шлангом, прикріпленим до пристрою.
- Ніколи не направляйте пневматичний інструмент на себе або на інших.
- Не використовуйте пристрій, який не має попереджувальної етикетки.
- Не використовуйте пристрій або шланг, який пропускає повітря або не працює належним чином.
- Завжди від'єднуйте подачу повітря та акумулятор перед тим, як робити налаштування, обслуговувати пристрій або коли пристрій не використовується.
- Не намагайтеся тягнути або переносити виріб за шланг.
- Інструмент може споживати більше повітря ніж пристрій може забезпечити.
- Завжди дотримуйтесь усіх правил техніки безпеки, рекомендованих виробником вашого насосу, та усіх правил техніки безпеки щодо експлуатації насоса. Дотримання цього правила знизить ризик отримання серйозної травми.
- Ніколи не спрямовуйте стиснуте повітря напрямку людей або тварин. Будьте обережні, щоб не направляти пил та бруд до себе чи інших. Дотримання цього правила знизить ризик отримання серйозної травми.
- Не використовуйте цей пристрій для розпилення хімічних речовин. При вдиханні токсичних парів легені можуть бути пошкоджені. Під час розпилення фарби або в умовах наявності пилу слід надягати респіратор. Не переносите пристрій під час фарбування.
- Періодично перевіряйте шнури та шланги, якщо вони пошкоджені відремонтуйте їх у найближчому авторизованому сервісному центрі. Постійно слідкуйте за місцем знаходження шнура. Дотримання цього правила зменшить ризик ураження електричним струмом або пожежі.
- Перевірте розрегульовані або зв'язані рухомі частини, поломані частини і будь-які інші умови, які можуть вплинути на роботу електроінструменту. Якщо пошкоджений, відремонтуйте електроінструмент перед використанням. Багато нещасних випадків є наслідком поганого догляду за електроінструментом.
- Якщо для періодичного технічного обслуговування або ремонту необхідно видалити закріплені захисні приладдя, їхні системи кріплення повинні залишатися прикріпленими до захисного приладдя або механізму, коли ці приладдя видаляються.
- Ніколи не зберігайте інструмент з підключеним повітряним шлангом. Зберігання інструменту з підключеним повітряним шлангом може призвести до несподіваного вмикання, руху та отримання травм.





EN
FR
DE
ES
IT
NL
PT
DA
SV
FI
NO
RU
PL
CS
HU
RO
LV
LT
ET
HR
SL
SK
BG
UK
TR
EL

- Захистіть ваші легені. Носіть маску для обличчя або маску від пилу, якщо операція курна. Дотримання цього правила знизить ризик отримання серйозної травми.
- Збережіть ці інструкції. Переглядайте інструкцію час від часу та посилайтеся на неї при інструктуванні інших стосовно експлуатації виробу. Передаючи цей виріб іншій особі у тимчасове користування, обов'язково додавайте інструкцію з експлуатації.
- Керувати пристроєм слід знаходячись перед панеллю управління.
- Коли пристрій працює, багато частин можуть нагріватися. Використовуйте необхідні засоби індивідуального захисту, такі як рукавички, щоб уникнути травм, спричинених високою температурою.
- Пристрій не призначений для використання дітьми, особами з обмеженими фізичними, сенсорними або інтелектуальними здібностями та особам, яким бракує досвіду та знань. Не дозволяйте дітям гратися з виробом.

ПОПЕРЕДЖЕННЯ ЩОДО БЕЗПЕЧНОГО ВИКОРИСТАННЯ АКУМУЛЯТОРА І ЗАРЯДНОГО ПРИСТРОЮ

⚠ ПОПЕРЕДЖЕННЯ

Для запобігання небезпеці пожежі в результаті короткого замикання, травмам і пошкодженню виробів не занурюйте інструмент, змінний акумулятор або зарядний пристрій у рідину і не допускайте потрапляння рідини всередину пристроїв або акумуляторів. Корозійні і струмопровідні рідини, такі як солоний розчин, певні хімікати, вибілювальні засоби або продукти, що їх містять, можуть призвести до короткого замикання.

- **Перезаряджати тільки за допомогою зарядного пристрою, зазначеного виробником.** Зарядний пристрій, що підходить для одного типу акумуляторів, може створити ризик загоряння при використанні з іншим акумуляторним блоком.
- **Використовуйте електроінструменти тільки з призначеними для них акумуляторами.** Використання будь-яких інших акумуляторів, може створити ризик отримання травми і пожежі.
- **Коли акумулятор не використовується, тримайте його подалі від металевих предметів, таких як скріпки, монети, ключі, цвяхи, шурупи, або інші дрібні металеві предмети, які можуть підключити один контакт до іншого.** Коротке замикання контактів акумулятора може призвести до опіків або пожежі.
- **У важких умовах експлуатації, рідина може бути випущена з батареї; уникайте контакту.** При випадковому контакті змийте водою. Якщо рідина потрапила в очі, зверніться за медичною допомогою. Рідина з акумулятора може викликати роздратування або опіки.
- **Акумуляторні інструменти не потрібно підключати до електричної розетки.** Внаслідок

цього вони завжди знаходяться у робочому стані. Усвідомлюйте можливі небезпеки під час використання акумуляторного пристрою, або коли міняєте його аксесуари. Слідування цьому правилу знизить ризик ураження електричним струмом, пожежі або серйозної травми.

- **Не розміщуйте акумуляторні інструменти або їх акумулятори поблизу вогню або джерела тепла.** Виконання цього правила знизить ризик вибуху та можливість травми.
- **Не розбивайте, не упускайте та не пошкоджуйте акумуляторну батарею. Ніколи не використовуйте акумуляторну батарею або зарядний пристрій, який падав або піддавався сильному удару.** Пошкоджений акумулятор може вибухнути. Правильно позбудьтесь упущеної або пошкодженої батареї.
- **Акумулятори можуть вибухнути, якщо поруч є джерело запалювання, наприклад, малий паяльник.** Для зменшення ризику серйозної травми ніколи не використовуйте бездротові виробу поріч з відкритим полум'ям. Під час вибуху акумулятора можуть відлітати уламки та виділятися хімічні речовини. В разі вибуху негайно залийте його водою.
- **Не заряджайте акумуляторний інструмент у сирому або вологому місці.** Слідування цьому правилу знизить ризик ураження електричним струмом.
- **Для досягнення найкращих результатів треба заряджати акумулятор у місцях, де температура складає від 10°C до 38°C.** Для зниження ризику серйозного травмування, не зберігайте пристрій на свіжому повітрі або у транспортних засобах.
- **При надмірному використанні або під дією екстремальних температур може відбутися витікання кислоти з акумулятора.** В разі контакту кислоти зі шкірою негайно помийте її водою з милом. Якщо кислота потрапляє в очі, промийте їх чистою водою впродовж мінімум 10 хвилин, потім негайно зверніться до лікаря. Дотримання цього правила знизить ризик отримання серйозної травми.
- **Заборонено використовувати акумулятор або пристрій, якщо вони були пошкоджені або модифіковані.** Використання пошкоджених або модифікованих акумуляторів може мати непередбачувані наслідки, серед яких: виникнення пожежі, вибуху та ризик травмування.
- **Не змінюйте або не намагайтесь відремонтувати акумулятор, який був пошкоджений.**
- **Уникайте загоряння та високої температури акумулятора або пристрою.** Загоряння або висока температура понад 130°C можуть стати причиною вибуху.
- **Дотримуйтеся усіх інструкцій щодо заряджання пристрою та уникайте заряджання поза діапазоном температур, що позначені у інструкції.** Неправильне заряджання або заряджання при температурі, поза межами позначеними в інструкції, може пошкодити акумулятор та підвищити ризик виникнення пожежі.





ТРАНСПОРТУВАННЯ ЛІТІСВИХ БАТАРЕЙ

Транспортуйте батарею відповідно до місцевих та національних положень та правил.

Дотримуйтеся усіх спеціальних вимог щодо пакування та маркування при транспортуванні батареї третьою стороною. Переконайтеся, що батареї не можуть вступати в контакт з іншими батареями або провідними матеріалами при транспортуванні, захищаючи відкриті роз'єми ізоляційними непроводящими кришками або стрічкою. Не перевозити батареї, які мають тріщини або протечки. Консультуйтеся з експедиторською компанією для подальших консультацій.

АКУМУЛЯТОРНА БАТАРЕЯ

Якщо акумулятори не використовувалися впродовж певного часу, їх слід підзарядити перед експлуатацією.

Робота акумуляторів погіршується за температури вище 50°C (122°F). Захищайте пристрій від дуже високих температур та прямого сонячного світла (аби запобігти ризику перегріву).

Контакти зарядних пристроїв та акумуляторних батарей повинні бути чистими.

Щоб продовжити термін служби акумуляторів, повністю заряджайте їх після використання.

Щоб термін служби акумуляторів був максимальним, виймайте акумулятор із зарядного пристрою після повного заряджання.

Під час зберігання акумуляторної батареї більш ніж 30 днів:

- Зберігайте акумулятор при температурі нижче 27°C якомога далі від вологих приміщень.
- Зберігайте акумулятори у "зарядженому" стані (мінім. рівень заряду 30%-50%).
- Кожні 6 місяців слід заряджати акумулятор як звичайно.

ЗАХИСТ АКУМУЛЯТОРА

Акумулятор має захист від перевантаження, що захищає його від перевантаження та допомагає забезпечити тривалий термін служби. Під час великого перевантаження акумулятор вимикається. Для відновлення роботи, вимкніть і знову увімкніть інструмент. Якщо пристрій знову не запускається, акумулятор може повністю розрядитися. У цьому випадку його слід заряджати у зарядному пристрої.

ЗАЛИШКОВІ РИЗИКИ

Навіть коли продукт використовується як написано, залишається неможливим повністю усунути деякі залишкові чинники ризику. Наступні небезпеки можуть виникнути і оператор повинен звернути особливу увагу, щоб уникнути наступного:

- Використовуйте насос лише належним чином. Не розбирайте, не змінюйте оригінальний дизайн або функції.

- Завжди знайте, що неправильне використання і неправильне поводження з продуктом може призвести до травмування себе та інших.
- Ніколи не залишайте пристрій без нагляду, коли повітряний шланг, прикріплений до пристрою.
- Не використовуйте пристрій або шланг, який пропускає повітря або не працює належним чином.
- Ризик вибуху
 - Не регулюйте регулятор таким чином, щоб вихідний тиск був більшим, ніж зазначений максимальний тиск кріплення.
- Під час роботи двигуна та циліндра генерується тепло та пристрій нагрівається. Заборонено торкатися металевих частин, це може призвести до серйозних опіків.
 - Завжди тримайте повітряний компресор якомога далі від робочих зон.
- Пошкодження слуху, викликане шумом
 - Носіть захист слуху
- Газ з повітряного компресора може переміщувати пил, стружки, пухкі частинки та дрібні об'єкти з високою швидкістю. Це може призвести до попадання у вічі сторонніх предметів та серйозних травм.
 - Завжди використовуйте засоби індивідуального захисту під час роботи з різними інструментами.

ЗНАЙТЕ СВІЙ ПРОДУКТ

Див. стор. 195.

1. Кронштейни для шлангів
2. Швидкороз'ємне з'єднання
3. Швидкороз'ємне з'єднання (папа) PCL з вільним потоком 1/4" BSP
4. Манометр бака
5. Регулятор тиску
6. Регулятор манометру
7. Ручка для транспортування
8. Запобіжний клапан
9. Перемикач увімкн. / вимкн.
10. Акумуляторна батарея
11. Дренажний клапан
12. Кнопка скидання

РОЗПАКУВАННЯ

Ретельно огляньте пристрій, щоб переконатися у відсутності поломок або пошкодження під час доставки. Не викидайте пакувальні матеріали до тих пір, поки не переконаєтесь, що пристрій працює задовільно та безпечно.

⚠ ПОПЕРЕДЖЕННЯ

Якщо будь-які деталі пошкоджені або відсутні, не використовуйте даний пристрій, поки деталі не будуть замінені. Використання цього пристрою з пошкодженими частинами може привести до серйозних травм.



⚠ ПОПЕРЕДЖЕННЯ

Не намагайтеся змінити цей інструмент або зробити приладдя, не рекомендовані для використання з цим інструментом. Будь-яка така зміна або модифікація - це неправильне використання і може призвести до небезпечної ситуації, що призводить до можливих серйозних травм.

⚠ ПОПЕРЕДЖЕННЯ

Щоб запобігти випадковому запуску, що може спричинити серйозні травми, завжди знімайте акумуляторну батарею з виробу під час монтажу деталей.

ФУНКЦІОНУВАННЯ

ПІДГОТОВКА

Приєднання/від'єднання повітряного шлангу

Див. стор. 196.

ПРИМІТКА: Для роботи під тиском вище 7 бар (102 фунти на кв. дюйм) на шланги має встановлюватися страхувальний шнур, наприклад, металевий дріт.

1. Переконайтеся, що вимикач знаходиться у вимкненому положенні OFF (O), а акумулятор від'єднано.
2. Для налаштування потягніть ручку регулятора тиску назовні. Поверніть ручку регулятора тиску проти годинникової стрілки до упору.
3. Переконайтеся, що тиск на виході відсутній і дорівнює нулю (0) бар.
4. За допомогою перехідника під'єднайте повітряний шланг до швидкоз'ємної муфти 6,35 мм (1/4 дюйма) на компресорі. Перехідник має повністю ввійти у муфту так, щоб патрубок муфти висунувся вперед і зафіксував перехідник.

Від'єднання повітряного шлангу або пневматичного інструменту:

1. Для налаштування потягніть ручку регулятора тиску назовні. Поверніть ручку регулятора тиску проти годинникової стрілки до упору.
2. Переконайтеся, що тиск на виході відсутній і дорівнює нулю (0) бар.
3. Потягніть за патрубок на швидкоз'ємній муфті 6,35 мм (1/4 дюйма). Міцно утримуючи шланг, вийміть перехідник з муфти.

Підключення/відключення акумулятора

1. Переконайтеся, що вимикач знаходиться у вимкненому положенні OFF (O).
2. Вставте акумулятор до відсіку
3. Перед початком роботи переконайтеся, що запори по обох сторонах акумуляторної батареї зацеплені на місці, а сама батарея зафіксована у виробі.
4. Щоб зняти акумуляторний блок ослабте фіксатори.
5. Повний текст інструкції з заряджання див. у керівництві виробника акумулятора і зарядного пристрою.

ВИКОРИСТАННЯ КОМПРЕСОРА

⚠ НЕБЕЗПЕКА

Забороняється знімати випускний клапан або запобіжний клапан, якщо резервуар для повітря знаходиться під тиском. Стравіть повітря з резервуару. Якщо не стравити повітря з резервуару, це може призвести до вибуху та (або) серйозної травми.

⚠ ПОПЕРЕДЖЕННЯ

Завжди надгайте захисні окуляри з боковими щитками. Недотримання цієї вимоги може привести до попадання об'єктів в очі, що може спричинити можливі серйозні травми.

⚠ ПОПЕРЕДЖЕННЯ

Не використовуйте будь-які пристосування або приналежності, які не рекомендовані виробником приладу. Використання не рекомендованих насадок або приладдя, може призвести до серйозних травм.

⚠ ПОПЕРЕДЖЕННЯ

Не під'єднуйте пневматичні інструменти до виходу шланга до повного завершення процедури пуску.

⚠ ПОПЕРЕДЖЕННЯ

Перед встановленням деталей, виконанням регулювань, чищення, або коли виріб не використовується, завжди знімайте з нього акумуляторну батарею. Видалення акумуляторної батареї запобігає ненавмисному запуску, який може призвести до серйозної травми.

⚠ ПОПЕРЕДЖЕННЯ

Не використовуйте у забрудненому або пильному середовищі. Експлуатація пневмокомпресора у такому середовищі може призвести до пошкодження виробу.

Регулювання тиску повітря

Див. стор. 197.

1. Переконайтеся, що вимикач знаходиться у вимкненому положенні OFF (O), а акумулятор знято.
2. Під'єднайте акумулятор до виробу.
3. Переведіть вимикач у положення "увімкнено" (I).
4. Для налаштування потягніть ручку регулятора тиску назовні.
5. Поворотом ручки регулятора тиску встановіть бажаний тиск. При повороті ручки за годинниковою стрілкою тиск на виході збільшуватиметься. При повороті ручки проти годинникової стрілки тиск на виході знизуватиметься. Щоб вимкнути налаштування, натисніть на ручку регулятора тиску.



6. За умови дотримання всіх заходів безпеки, зазначених у цьому керівництві й інструкціях виробників пневматичних інструментів ви можете починати працювати з пневматичними інструментами.

⚠ ПОПЕРЕДЖЕННЯ

Кількість повітря, що постачається цим компресором, може виявитися недостатньою для деяких пневматичних інструментів. Аби запобігти пошкодженню інструментів і травмуванню, дотримуйтеся правил експлуатації відповідних інструментів.

7. Потік повітря регулюється за допомогою ручки регулятора тиску. При повороті ручки проти годинникової стрілки до упору потік повітря повністю перекивається.

ПРИМІТКА: Завжди використовуйте мінімально необхідну для конкретного інструменту кількість повітря. Використання занадто високого тиску призведе до пришвидшеного розходу повітря з резервуара, і пристрій частіше буде перезаряджатися.

8. Щоб вимкнути компресор, переведіть вимикач живлення у положення "вимкнено" - OFF (O).

ПРИМІТКА: Коли вимикач компресора знаходиться у положенні "увімкнено" - ON (I) - пневматичний компресор автоматично вмикається, якщо тиск у резервуарі падає нижче заздалегідь встановленого рівня. При поверненні тиску до встановленого рівня компресор вмикається.

⚠ ПОПЕРЕДЖЕННЯ

Ніколи не встановлюйте тиск вище зазначеного виробником максимально допустимого тиску для відповідного інструменту. При використанні компресора для накачування завжди перевіряйте, який максимальний тиск витримує предмет, що накачується.

⚠ ПОПЕРЕДЖЕННЯ

Перед заміною інструменту або від'єднанням шлангу від виходу обов'язково переконайтеся, що вимикач знаходиться у вимкнутому положенні OFF (O), а датчик тиску показує нульовий тиск. Невиконання цієї вимоги може призвести до серйозних травм.

9. Після завершення робіт завжди стравлюйте резервуар і від'єднуйте акумулятор. Ніколи не полишайте виріб у вимкнутому стані або з під'єднаним акумулятором.

СТРАВЛЮВАННЯ ПНЕВМАТИЧНОГО РЕЗЕРВУАРУ

Див. стор. 198.

Для запобігання іржавлінню резервуара та накопиченню вологи в ньому повітря з резервуару слід стравлювати щоденно.

Як стравити повітря з резервуару:

1. Переконайтеся, що вимикач знаходиться у вимкнутому положенні OFF (O).
2. Вийміть акумулятор.
3. Потягніть за кільце на перепускному клапані та дочекайтеся, коли датчик тиску покаже значення менше 1.4 бар (20 фунтів на кв. дюйм).
4. Відпустіть кільце.
5. Turn the drain valve lever counterclockwise to drain the moisture.

ПРИМІТКА: Конденсат шкідливий для навкілля, тому його слід утилізувати у відповідності з вимогами діючого законодавства.

6. Закрийте клапан поворотом важеля за годинниковою стрілкою.

КНОПКА СКИДАННЯ

У разі перевикання встановленого для компресора значення напруги компресор автоматично вимикається.

Повторне включення компресора:

1. Вийміть акумулятор.
2. Вимкніть пристрій з електромережі.
3. Зачекайте три хвилини, щоб двигун охолонув.
4. Натисніть кнопку скидання.
5. Під'єднайте акумулятор до виробу.
6. Увімкніть виріб.

ЗАМІНА МУФТИ

Див. стор. 199.

1. Переконайтеся, що вимикач знаходиться у вимкнутому положенні OFF (O).
2. Вийміть акумулятор.
3. Потягніть за кільце на перепускному клапані та дочекайтеся, коли датчик тиску покаже значення менше 1.4 бар (20 фунтів на кв. дюйм).
4. Відпустіть кільце.
5. За допомогою гайкового ключа відкрутіть муфту проти годинникової стрілки та зніміть її.
6. За допомогою гайкового ключа накрутіть нову муфту за годинниковою стрілкою.

ТРАНСПОРТУВАННЯ ТА ЗБЕРІГАННЯ

Див. стор. 200 - 201.

1. Переконайтеся, що вимикач знаходиться у вимкнутому положенні OFF (O).
2. Вийміть акумулятор.
3. Включіть пневматичний інструмент, щоб стравити тиск у шлангу, і потім зніміть шланг і потім зніміть шланг та інструмент. Стравіть тиск, потягнувши за перепускний клапан.
4. Злийте конденсат з резервуару, дотримуючись указівок, наведених у розділі "Злиття конденсату з пневматичного резервуару".
5. Для очищення пристрою використовуйте тільки суху тканину.
6. Намотайте шланг на скоби.
7. Переносити виріб слід, утримуючи його за ручку.
8. Зберігайте компресор у нормальному робочому положенні у сухому приміщенні.





⚠ ПОПЕРЕДЖЕННЯ

Під час експлуатації у компресорі накопичується конденсат. Конденсат, який залишається у резервуарі, сприяє іржавлінню і послаблює міцність резервуару, що може стати причиною його розриву.

⚠ ПОПЕРЕДЖЕННЯ

Завжди від'єднуйте пневматичний інструмент від шлангу, коли інструмент не використовується або для технічного обслуговування. Якщо це не зробити, інструмент може випадково спрацювати під час обслуговування і стати причиною травмування!

⚠ ПОПЕРЕДЖЕННЯ

Якщо не вийняти акумулятор з компресора перед розміщенням на зберігання, це може призвести до випадкового включення, безперервної роботи, перегріву, пошкодженню компресора і навіть пожежі.

ОБСЛУГОВУВАННЯ

ЗАГАЛЬНЕ ТЕХНІЧНЕ ОБСЛУГОВУВАННЯ

- Не використовуйте розчинники для очищення пластмасових деталей. Багато пластиків сприйнятливі до ушкоджень від різних типів технічних розчинників та можуть бути пошкоджені при їх використанні. Використовуйте чисті ганчірки для видалення бруду, пилу, масла, мастила і т.д.
- Ніколи не дозволяйте гальмівній рідині, бензину, продуктам на основі нафти, і проникаючим маслам вступати в контакт з пластиковими деталями. Хімічні речовини можуть пошкодити, послабити або знищити пластик, який може привести до серйозної травми.
- Перед чистою або ремонтом виробу завжди стравляйте тиск, виймайте акумулятор і дайте виробу час охолонути до навколишньої температури.
- Не змінюйте пристрій будь-яким способом або не використовуйте приладдя, не схвалені виробником. Ваша та інших безпека може бути порушена.
- Не використовуйте продукт, якщо які-небудь перемикачі, кожухи або інші функції не працюють належним чином. Поверніться в авторизований сервісний центр для професійного ремонту або налаштування.
- Завжди переконайтесь, що акумуляторну батарею було вилучено з пристроєм, перш ніж робити регулювання, змащування або виконувати будь-яке технічне обслуговування.
- До і після кожного використання, перевірте продукт на предмет пошкоджень або зламаних деталей. Тримайте продукт в доброму робочому стані, негайно замініть деталі запчастинами, що затверджені виробником.

⚠ ПОПЕРЕДЖЕННЯ

Для більшшої безпеки і надійності, всі ремонтні роботи повинні виконуватися в авторизованому сервісному центрі.

ЗАХИСТ НАВКОЛИШНЬОГО СЕРЕДОВИЩА



Переробляйте сировину замість утилізації в якості відходів. Машини, обладнання та упаковка повинні бути відсортовані для дружньої для навколишнього середовища утилізації.

СИМВОЛИ НА ПРОДУКТІ



Попередження безпеки



Будь ласка, уважно прочитайте інструкцію перед запуском продукту.



CE відповідність



Євразійський знак відповідності



Український знак відповідності



Під час роботи з пристроєм завжди надягайте захисні окуляри.



Носіть захисні навушники.



Для використання у приміщенні



Попереджувальний сигнал про підвищену вологість. Оберігайте пристрій від дощу. Зберігайте на відкритому повітрі.



Ризик для дихання. Забороняється використовувати компресор у якості джерела повітря для дихання.



Ризик вибуху. Не регулюйте регулятор таким чином, щоб вихідний тиск був більшим, ніж зазначений максимальний тиск кріплення. Не використовуйте при тиску більше ніж 10 бар.



Цей компресор може почати працювати без попередження.

- EN
- FR
- DE
- ES
- IT
- NL
- PT
- DA
- SV
- FI
- NO
- RU
- PL
- CS
- HU
- RO
- LV
- LT
- ET
- HR
- SL
- SK
- BG
- UK**
- TR
- EL





Ризик загоряння або вибуху.
Область розпилення повинна добре провітрюватися. Не паліть під час розпилення або не розпилюйте там де є іскри чи полум'я. Розміщуйте компресор якомога далі від зони розпилювання. Розміщуйте компресор на відстані щонайменше 10 м від зони розпилювання та вибухонебезпечних випарів.



Регульований тиск



Тиск у резервуарі



Відходи електротехнічної продукції не слід викидати разом із побутовими відходами. Будь ласка, переробляйте там, де наявне устаткування. Перевірте з вашим місцевим органом влади або продавцем для консультацій з приводу переробки.

СИМВОЛИ В ЦІЙ ІНСТРУКЦІЇ З ЕКСПЛУАТАЦІЇ



Запасні деталі або приналежності продаються окремо



Примітка



Попередження

Нижчезказані попереджальні слова та символи пояснюють рівень ризику при роботі з цим приладом.

⚠ НЕБЕЗПЕКА

Вказує на неминуче небезпечну ситуацію, яка, якщо її не уникнути, може призвести до смерті або серйозних травм.

⚠ ПОПЕРЕДЖЕННЯ

Вказує на потенційно небезпечну ситуацію, яка, якщо її не уникнути, може призвести до смерті або серйозних травм.

⚠ УВАГА

Вказує на потенційно небезпечну ситуацію, яка, якщо її не уникнути, може призвести до середньої або легкої травми.

УВАГА

(Без Символу попередження про безпеку) Вказує на ситуацію, яка може привести до матеріальних збитків.

Kompresörünüzün tasarımında güvenlik, performans ve güvenilirliğe en yüksek öncelik verilmiştir.

KULLANIM AMACI

Hava kompresörü yalnızca basınçlı hava sağlamak için tasarlanmıştır. Başka gazları sıkıştırmak için kullanılmamalıdır.

Ürün, havayla çalışan aletleri çalıştırmak ve araba lastikleri ve bisiklet lastikleri gibi yüksek basınçlı eşyaları şişirmek için tasarlanmıştır.

Ürün sadece bu kılavuzdaki talimatları ve uyarıları okuyup anlamış olan ve hareketlerinden sorumlu tutulabilecek yetişkinlerce kullanılacak üzere geliştirilmiştir.

Ürün yalnızca iç mekanlarda kullanılmalıdır.

Bu ürünü belirtilen kullanım amacı dışında herhangi bir amaçla kullanmayın. Elektrikli aletin tasarladığından farklı bir işte kullanılması tehlikeli durumlara neden olabilir.

GENEL EMNİYET UYARILARI

⚠ UYARI

Tüm güvenlik uyarılarını ve talimatlarını okuyun. Uyarıların ve talimatların yerine getirilmemesi elektrik çarpması, yangın ve/veya ciddi yaralanmalara yol açabilir.

Tüm uyarıları ve talimatları daha sonra başvurmak üzere saklayın.

⚠ UYARI

Elektrikli aletleri kullanırken, yangın, elektrik çarpması, yanma ve diğer yaralanma risklerini azaltmak için bazı temel güvenlik tedbirleri dikkate alınmalıdır. Ürünü çalıştırmayı denemeden önce tüm talimatları okuyun ve saklayın.

ÇALIŞMA ALANI EMNİYETİ

- Çalışma alanını temiz tutun. Karışık alanlar ve tezgahlar kazaları davet eder. Çalışır durumdayken aletin üzerinde aletler veya ahsap parçaları bırakmayın.
- Ürünü tehlikeli ortamlarda kullanmayın. Elektrikli aleti nemli veya ıslak yerlerde kullanmayın, yağmura maruz bırakmayın. Çalışma alanını iyi ışıklandırın.
- Çocukları ve seyredenleri uzak tutun. Tüm konuklar koruyucu gözlük takmalı ve çalışma alanına güvenli bir mesafede durmalıdır. Ürün çalışırken ziyaretçilerin ona temas etmesine izin vermeyin.
- Asla patlayıcı bir ortamda kullanmayın. Motorun normal kıvılcımlanması dumanları tutuşturabilir.

ELEKTRİKLE İLGİLİ GÜVENLİK

- Ürünün herhangi bir elektrikli bileşeni düzgün çalışmıyorsa güç düğmesini kapatın, çalışmaya devam etmeden önce batarya paketini üründen çıkarın ve tekrar yerleştirin.
- Elektrikli aletleri yağmura veya ıslak ortamlara maruz bırakmayın. Elektrikli aletin içine giren su elektrik çarpması riskini çoğaltacaktır.

KİŞİSEL EMNİYET

- Tetikte olun ve kontrol alıştırmaları yapın. Ne yaptığınızı dikkat edin ve sağduyunuzu kullanın. Yorgunken aleti kullanmayın. Acele etmeyin.
- Uygun giysiler giyin. Hareketli parçaların içine kaçarak sizi de parçaların içine çekebilecek bol giysiler giymeyin, boyun bağı ya da takı takmayın. Dışarıda çalışma esnasında lastik eldivenler ve kaymayan ayakkabı önerilir. Saçınızı tamamen kapatacak koruyucu saç bonesi takın.
- Daima yan siperlere sahip koruyucu gözlükler kullanın. Basit gözlükler sadece darbeye dayanıklı camlara sahiptir; koruyucu gözlük DEĞİLLERDİR.
- Akciğerlerinizi koruyun. Çalışma toz çıkartıyorsa, yüz koruyucusu ya da toz maskesi kullanınız.
- Kulaklarınızı koruyun. Uzun süreli işlemler esnasında kulak koruyucu kullanın.
- Aşırı derecede uzanmayın. Her zaman güvenli ve dengede durun.
- Ayarlama anahtarlarını ve somun anahtarlarını çıkarın. Aleti çalıştırmadan önce anahtarların ve ayar anahtarlarının aletten çıkarıldığını kontrol etmeyi alışkanlık haline getirin.

HAVA KOMPRESÖRÜ KULLANIMI VE BAKIMI

- Sistemde bulunan herhangi bir bileşenin basınç oranını aşmayın.
- Madde ve hava hatlarını hasarlara veya delinmeye karşı koruyun. Hortumu sivri nesnelere, kimyasallardan dökülmesinden, yağdan, solventten ve ıslak zeminlerden uzak tutun.
- Tüm bağlantıları sağlamlaştırarak her kullanımdan önce hortumları kaçaklara veya aşınma durumlarına karşı kontrol edin. Arıza tespit edilirse kullanmayın. Yeni bir hortum satın alın veya inceleme ya da onarım için yetkili bir servis merkezine başvurun.
- Sistem içerisinde bulunan tüm basıncı yavaşça salın. Toz ve kalıntılar zararlı olabilir.
- Kullanılmayan hava kompresörlerini çocukların ve eğitimsiz kişilerin erişemeyeceği bir yerde muhafaza edin. Hava kompresörleri eğitimsiz kullanıcıların elinde tehlikelidir.
- Hava kompresörlerinin bakımını dikkatli gerçekleştirin. Bakım talimatlarına uyun. Düzgün olarak bakımları yapılmış aletlerin kontrol edilmesi daha kolaydır.
- Aletin çalışmasına kötü etki edecek hareketli parçaları yanlış ayarlamalara veya sıkışmalara, kırık parçalara ve diğer olumsuz durumlara karşı kontrol edin. Alet hasar görürse tekrar kullanmadan önce onarımı yapılmış olmalıdır. Kazaların çoğu yetersiz olarak onarılan aletlerden kaynaklanmaktadır.
- Ürünün dışının kuru, yağdan ve gresten temizlenmiş olmasını sağlayın. Temizlik işlemi için daima temiz bir bez kullanın. Üniteyi temizlemek için asla fren hidrolik yağı, benzin, petrol bazlı ürünler veya diğer güçlü solventleri kullanmayın. Bu kurala uyulması gövde plastiğinin bozulma riskini azaltacaktır.

SERVİS

- Servis hizmetinde sadece aynı yedek parçaları kullanın. Diğer parçaları kullanmak tehlike yaratabilir ya da hasara neden olabilir.

Bu talimatı saklayın. Sık aralıklarla talimatlara bakın ve diğer kullanıcıları bilgilendirmek için kullanın. Bu cihazı birisine ödünç olarak vererseniz aynı zamanda bu talimatları da kendisine verin.

HAVA KOMPRESÖRÜ GÜVENLİK UYARILARI

- Ürününüzü tanıyın Kullanım kılavuzunu dikkatle okuyunuz. Makine uygulamalarını ve sınırlarını aynı zamanda bu aletle ilgili potansiyel tehlikeleri öğrenin. Böylece elektrik çarpması, yangın ya da ciddi yaralanma riskini önleyeceksiniz.
- Günlük kullanımın ardından hava tankındaki nemi kurutun. Ürün bir süre kullanılmıyacaksa en iyisi bir sonraki kullanıma kadar boşaltma valfini açık bırakmaktır. Bu nemin tamamen boşaltılmasını sağlar ve hava tankının içinde korozyonu önlemeye yardımcı olur.
- Yangın ve patlama tehlikesi. Kapalı bir alanda yanıcı sıvılar püskürtmeyin. Püskürtme işlemi yapılacak alan iyi havalandırılmalıdır. Püskürtme yaparken sigara içmeyin veya kıvılcım ya da ateşin bulunduğu yerde püskürtme işlemi yapmayın. Ürünü püskürtme alanından ve tüm patlayıcı buharlardan en az 10 m (33 fit) uzakta tutun.
- Patlama tehlikesi. Regülatörü aksesuarın işaretli maksimum basıncından daha büyük bir çıkış basıncıyla sonuçlanacak şekilde ayarlamayın. 8,3 bardan yüksek basınçlarda kullanmayın.
- Elektrik çarpması riskini azaltmak için, ürünü yağmura maruz bırakmayın. Ürünü kapalı bir mekanda muhafaza edin.
- Hava tankını yılda bir kere pas, pim deliği veya ürünü güvenilmez olmasına neden olabilecek diğer kusurlara karşı inceleyin.
- Asla depoda kaynak yapmayın veya delikler delmeyin.
- Hortumun engellenmediğinden ve takılmadığından emin olun. Karışmış ya da dolaşmış hortumlar denge veya destek kaybına neden olarak hasar görebilir.
- Ürünü sadece belirtilen amaç için kullanın. Ünitinin orijinal tasarımında veya işlevinde değişiklik ya da tadilat yapmayın.
- Her zaman bu aletin amacı dışı ve hatalı kullanımının kendinizin veya başkalarının yaralanmasına neden olabileceğinin bilincinde olun.
- Hava hortumu bir alete takılıyken ürünü asla başıboş bırakmayın.
- Bir hava aletini asla kendinize veya başkalarına yöneltmeyin.
- Okunabilir bir uyarı etiketine sahip değilse bu aleti çalıştırmayın.
- Hava sızdıran veya düzgün çalışmayan ürünü veya hortumu kullanmaya devam etmeyin.

- Ayar yapmadan, ürünün bakımını yapmadan önce veya ürün kullanımda değilken her zaman hava beslemesini kapatın ve batarya paketini çıkarın.
- Ürünü hortumundan tutarak çekmeye veya taşımaya çalışmayın.
- Aletinüz ürünün sağlayabileceğinden daha fazla hava tüketimi gerektiriyor olabilir.
- Hava kompresörünün tüm güvenlik kurallarına ilave olarak, hava aletinüz üreticisi tarafından tavsiye edilen bütün güvenlik kurallarına her an uyun. Bu kurala uyulması ciddi yaralanma riskini azaltacaktır.
- Asla basınçlı hava çıkışı insanlara veya hayvanlara yöneltmeyin. Tozu ve kiri kendinize ya da başkalarına doğru üflelemeye dikkat edin. Bu kurala uyulması ciddi yaralanma riskini azaltacaktır.
- Ürünü kimyasal püskürtmek için kullanmayın. Akciğerleriniz zehirli dumanları solumaktan dolayı zarar görebilir. Tozlu ortamlarda veya boya püskürtürken bir solunum cihazı gerekli olabilir. Boya yaparken taşımayın.
- Aletin kablolarını ve hortumlarını düzenli aralıklarda kontrol edin ve hasar görmüşlerse en yakın yetkili servis merkezinde onarımlarını sağlayın. Kordonun nerede olduğuna dikkat ediniz. Böylece, elektrik çarpması riskini azaltırsınız.
- Aletin çalışmasına kötü etki edecek hareketli parçaları yanlış ayarlamalara veya sıkışmalara, kırık parçalara ve diğer olumsuz durumlara karşı kontrol edin. Alet hasar görürse tekrar kullanmadan önce onarımı yapılmış olmalıdır. Kazaların çoğu yetersiz olarak onarılan aletlerden kaynaklanmaktadır.
- Sabit muhafazalar düzenli bakım veya onarım için söküldüğünde sabitleme sistemleri muhafazaya veya muhafazalar söküldüğünde makineye takılı kalmalıdır.
- Bir aleti asla hava hortumu takılı şekilde muhafaza etmeyin. Aleti bir hava beslemesine takılı şekilde muhafaza etmek beklenmedik bir şekilde çalışmayla, yangınlı veya hareket etmesiyle ve olası ciddi kişisel yaralanmayla sonuçlanabilir.
- Akciğerlerinizi koruyun. Çalışma toz çıkartıyorsa, yüz koruyucusu ya da toz maskesi kullanınız. Bu kurala uyulması ciddi yaralanma riskini azaltacaktır.
- Bu talimatı saklayın. Sık aralıklarla talimatlara bakın ve diğerlerini bu ürünü kimin kullanabileceği konusunda bilgilendirmek için kullanın. Bu cihazı birisine ödünç olarak vererseniz aynı zamanda bu talimatları da kendisine verin.
- Makineyi kumanda panelinin önünde çalıştırın.
- Makine çalışırken makinenin bir çok parçası yüksek ısıya neden olabilir. Yüksek sıcaklıktan kaynaklanacak yaralanmaları önlemek için eldiven gibi kişisel koruyucu ekipmanlar kullanın.
- Ürün kısıtlı fiziksel, duyuşsal ya da zihinsel becerilere sahip ya da yeterli deneyimi veya bilgisi olmayan kişilerin (çocuklar da dahil) kullanımına uygun değildir. Ürünle oynamalarını sağlamak için çocukların denetlenmesi gerekir.

BATARYA VE ŞARJ ALETİ GÜVENLİK UYARILARI

⚠ UYARI

Bir kısa devreden kaynaklanan yangın, yaralanma veya ürün hasarları tehlikesini önlemek için aleti, güç paketini veya şarj cihazını asla sıvıların içine daldırmayınız ve cihazların ve pillerin içine sıvı girmesini önleyiniz. Tuzlu su, belirli kimyasallar, ağartıcı madde veya ağartıcı madde içeren ürünler gibi korozif veya iletken sıvılar kısa devreye neden olabilir.

- **Yalnızca üreticinin belirttiği şarj cihazı ile tekrar şarj edin.** Sadece bir tür batarya için uygun olan şarj cihazı, başka bir batarya ile kullanıldığında yangın tehlikesi olabilir.
- **Elektrikli aletleri yalnızca onlara özel batarya paketleriyle birlikte kullanın.** Farklı pil paketi kullanımı yaralanma ya da yangın riski oluşturabilir.
- **Batarya takımı kullanılmadığında bunları ateş, bozuk para, çivi, vida ya da bir ucundan diğer ucuna bağlantı kurabilen diğer küçük metal nesnelere uzak tutun.** Batarya terminalerine kısa devre yaptırmak yanıklara veya bir yangına neden olabilir.
- **Kötü kullanım durumlarında pilden sıvı sızabilir; sıvıyla temas etmekten kaçının. Kaza ile temas ederseniz bol su ile yıkayın. Sıvı göze temas ederse ek olarak tıbbi yardım alın.** Pilden sızan sıvı iritasyon ya da yanmaya yol açabilir.
- **Pilli cihazların prize takılmasına gerek yoktur, her zaman çıkarış durumdadır. Pilli cihazı kullanmadığınız zaman ya da aksesuarları değiştirirken olası tehlikeleri unutmayın.** Böylece elektrik çarpması, yangın ya da ciddi yaralanma riskini önleyebilirsiniz.
- **Şarjlı aletleri ya da bataryalarını ateşin veya ısı kaynaklarının yakınına koymayın.** Bu önlem patlama ve olası yaralanma riskini azaltacaktır.
- **Batarya kutusunu sıkırtmayın, düşürmeyin veya hasar vermeyin. Düşürülmüş ya da sert darbe almış batarya kutularını veya şarj cihazlarını kullanmayın.** Hasar görmüş bir pilin patlama ihtimali vardır. Düşen ya da hasar gören bataryayı hemen uygun şekilde elden çıkarın.
- **Pilot alevi gibi ateşleme kaynağının olması durumunda piller patlayabilir.** Ciddi kişisel yaralanma riskini azaltmak için, açık ateşin bulunduğu yerlerde kablolu cihazları asla kullanmayın. Patlayan bir pil kalıntı ve kimyasallar salgılayabilir. Maruz kaldığında derhal suyla yıkanmalıdır.
- **Nemli ya da ıslak ortamlarda bataryalı cihazları şarj etmeyin.** Böylece, elektrik çarpması riskini azaltırsınız.
- **En iyi sonucu elde etmek için, pil sıcaklığın 10°C'nin üzerinde ancak 38°C'nin altında olduğu bir yerde şarj edilmelidir. Ciddi bedensel yaralanma riskini en aza indirmek için pili dışarıda ya da araç içinde tutmayın.**

- **Aşırı kullanma ve sıcaklık koşulları altında batarya akması meydana gelebilir. Eğer sıvı cildinize temas ederse derhal sabun ve su ile yıkayın. Akan sıvı gözünüze kaçarsa en az 10 dakika süreyle temiz suyla yıkayın, ardından hemen bir doktora danışın.** Bu kurala uyulması ciddi yaralanma riskini azaltacaktır.
- **Hasar görmüş ya da değiştirilmiş bir pil paketini kullanmayın.** Hasar görmüş ya da değiştirilmiş piller yangın, patlama ya da yaralanma riskine yol açabilecek beklenmeyen davranış sergileyebilir.
- **Hasar görmüş bir pil paketini değiştirmeyin ya da onarmaya çalışmayın.**
- **Pil paketi ya da aleti ateş ya da aşırı ısılarla maruz bırakmayın.** Ateş ya da 130°C üzerinde ısıya maruz kalmak patlamaya neden olabilir.
- **Şarj işlemine ilişkin tüm talimatlara uyun ve pil paketi ya da aleti talimatlarda belirtilen sıcaklık aralığı dışında şarj etmeyin.** Belirtilen sıcaklık aralığı dışında şarj edildiğinde pil zarar görebilir ve yangın riski artar.

LİTYUM PİLLERİN NAKLİYESİ

Pili yerel ve ulusal hükümlere ve yönetmeliklere göre nakledin.

Piller üçüncü bir şahıs tarafından nakledilirken ambalaj ve etiket üzerindeki tüm özel gereksinimlere uyun. Açıkta konektörleri iletken olmayan yalıtım başlıkları veya bantı ile koruyarak pillerin nakliye sırasında diğer pillerle veya iletken materyallerle temas etmediğinden emin olun. Çatlak veya sızıntı yapan pilleri nakletmeyin. Daha fazla bilgi için nakliye şirketine danışın.

BATARYALAR

Belirli bir süre kullanılmayan batarya paketlerinin kullanılmadan önce yeniden şarj edilmesi gerekir.

50°C'yi (122°F) aşkın ısılar pil takımının performansını düşürür. Isıya veya güneş ışığına uzun süre maruz bırakmayın (aşırı ısınma riski).

Şarj aletlerinin temas noktaları ve batarya paketleri temiz tutulmalıdır.

Optimal bir ömür için, pil takımlarının kullanımdan sonra yeniden şarj edilmesi gerekir.

Olası en uzun ömrü elde etmek için, şarj olduktan sonra pil takımını şarj aletinden ayırın.

30 günden uzun süre depolanacak batarya paketleri için:

- Batarya paketini 27°C altı sıcaklıkta ve nemden uzakta depolayın.
- Batarya paketlerini %30-%50 şarj edilmiş durumda muhafaza edin.
- Muhafaza edilirken her altı aydan bir paketi normal bir şekilde şarj edin.

BATARYA PAKETİ KORUMASI

Batarya paketinin aşırı yüklemeyen koruyan ve uzun ömür sağlayan bir aşırı yük koruması vardır. Yoğun stres altında batarya elektronikleri aleti otomatik olarak kapatır. Yeniden çalıştırmak için ürünü kapatıp yeniden açın. Ürün yeniden çalışmazsa batarya paketi tamamen deşarj olmuş olabilir. Bu durumda batarya şarj cihazında şarj edilmesi gerekir.



ARDIL RİSKLER

Ürün belirtildiği şekilde kullanıldığı zaman bile belirli artık risk faktörlerinin tamamen ortadan kaldırılması mümkün değildir. Kullanım sırasında aşağıdaki tehlikeler ortaya çıkabilir ve operatör bunlardan kaçınmak için özellikle dikkat etmelidir:

- Ürünü sadece belirtilen amaç için kullanın. Ünitenin orijinal tasarımında veya işlevinde değişiklik ya da tadilat yapmayın.
- Her zaman bu aletin amacı dışı ve hatalı kullanımının kendinizin veya başkalarının yaralanmasına neden olabileceğinin bilincinde olun.
- Aleti asla hortum bir alete takılı şekildeyken başıboş bırakmayın.
- Hava sızdıran veya düzgün çalışmayan ürünü veya hortumu kullanmaya devam etmeyin.
- Patlama tehlikesi
 - Regülatörü aksesuarın işaretli maksimum basıncından daha büyük bir çıkış basıncıyla sonuçlanacak şekilde ayarlamayın.
- Motor ve silindir çalışırken ısı ve yüksek sıcaklık oluşur. Açığıtaki metale dokunmak ciddi yanıklara neden olabilir.
 - Hava kompresörünü her zaman çalışma bölgelerinin uzağında tutun.
- Gürültü kaynaklı tahribat
 - Koruyucu kulaklık kullanın.
- Hava kompresörünün gazı, kiri, talaşı, gevşek parçacıkları ve küçük nesnelere yüksek hızda sürükleyebilir. Bu nesnelere göze fırlamasına veya başka ciddi yaralanmalara neden olabilir.
 - Farklı aletleri çalıştırırken her zaman uygun kişisel koruyucu ekipman giyin.

ÜRÜNÜNÜZÜ TANIYIN

Sayfa 195'ya bakın.

1. Hortum sarma braketleri
2. Hızlı bağlantı kabloları
3. PCL yüksek akış stili erkek kablolar 1/4" BSP
4. Depo basıncı göstergesi
5. Basınç regülatörü düğmesi
6. Düzenleyici basınç göstergesi
7. Taşıma tutamağı
8. Emniyet valfi
9. Açma/kapama anahtarı
10. Batarya kutusu
11. Tahliye valfi
12. Sıfırlama düğmesi

AMBALAJINDAN ÇIKARMA

Gönderim esnasında kırılma ya da hasar olmasına karşın aleti kontrol edin.

Aleti dikkatlice inceleyip tatmin edici bir şekilde çalıştırana dek ambalaj malzemelerini atmayın.

⚠ UYARI

Hasar gören ya da eksik parçalar varsa bu parçalar değiştirilene kadar bu ürünü çalıştırmayın. Bu ürünün hasar görmüş ya da eksik parçalarla çalıştırılması ciddi kişisel yaralanmalara yol açabilir.

⚠ UYARI

Değişiklik yapmayın ya da bu aletle kullanılması tavsiye edilmeyen aksesuarları kullanmayın. Bu tipteki değişiklikler hatalı kullanıma girer ve olası ciddi kişisel yaralanmalara neden olacak tehlikeli durumlara yol açabilir.

⚠ UYARI

Aletin istenmeden çalışmaya başlayıp ciddi kişisel yaralanmaya yol açmasını engellemek için, parçaları takarken mutlaka pil takımını üründen çıkarın.

ÇALIŞTIRMA

HAZIRLIK

Hava hortumunun takılması/sökülmesi

Sayfa 196'ya bakın.

NOT: 7 bar (102 psi) üzerinde basınç kullanan çalıştırmalar için çıkış hortumlarına bir güvenlik kablosu örn. çelik halat takılmalıdır.

1. Açma/kapatma düğmesinin KAPALI (O) konumunda olduğundan ve bataryanın çıkarıldığından emin olun.
2. Basınç regülatörü topuzunu ayar yapabilmek için dışarı çekin. Basınç regülatörü topuzunu saatin tersi yönde tam olarak çevirin.
3. Çıkış basıncının sıfır bar değerinde olduğunu teyit edin.
4. Hava kompresörünün üzerindeki 6,35 mm (1/4 in.) hızlı bağlantı kablolarına bir konektörle hava hortumunu bağlayın. Kablolar üzerindeki manşon konektörü yerine kilitlemek için ileri doğru yaylanana kadar konektörü kablolarla tamamen ittiğinizden emin olun.

Hava hortumunun veya hava aletinin bağlantısını kesmek için:

1. Basınç regülatörü topuzunu ayar yapabilmek için dışarı çekin. Basınç regülatörü topuzunu saatin tersi yönde tam olarak çevirin.
2. Çıkış basıncının sıfır bar değerinde olduğunu teyit edin.
3. 6,35 mm çabuk bağlantı üzerinde bulunan manşonu geriye doğru çekin. Sıkıca kavrayarak hızlı kablolarla bağlanmış olan hortum konektörünü dışarı çekin.

Pil paketinin takılması/sökülmesi

1. Açma/kapatma düğmesinin KAPALI (O) konumunda olduğundan emin olun.
2. Pili portuna bir pil paketi yerleştirin.
3. Batarya kutusunun her iki yanındaki mandalların yerine oturduğundan emin olun ve çalışmaya başlamadan önce bu batarya kutusunun alete tam olarak takılı olduğundan emin olun.
4. Batarya takımını çıkarmak için mandalları açın.



5. Tam şarj talimatları için pil paketinizin ve şarj cihazınızın kullanım kılavuzlarına bakın.

HAVA KOMPRESÖRÜNÜN KULLANILMASI

⚠ TEHLİKE

Tank boşaltma valflerini veya emniyet valfini hava tankında hava varken sökmeyin. Hava tankından havayı boşaltın. Hava tankının basıncı düşürülmezse patlama ve/veya ciddi kişisel yaralanma ile sonuçlanabilir.

⚠ UYARI

Her zaman yan siperlikli koruyucu gözlük kullanın. Bu uyarının dikkate alınmaması gözlerinizin içine yabancı cisimlerin kaçmasına ve ciddi göz yaralanmalarına yol açabilir.

⚠ UYARI

Üreticinin bu alet için tavsiye ettikleri dışında parça veya aksesuarlar kullanmayın. Tavsiye edilmeyen parça ya da aksesuarların kullanılması ciddi kişisel yaralanmalara neden olabilir.

⚠ UYARI

Çalışma işlemi tamamlanmadan önce hortumun açık olan ucuna herhangi bir alet takmayın.

⚠ UYARI

Parçalarını ayırırken, ayarlama yaparken, temizlik esnasında ya da alet kullanılmazken batarya kutusunu daima aletten çıkarın. Batarya kutusunu çıkarmak, ciddi kişisel yaralanmalara neden olabilecek aletin yanlışlıkla çalışma riskini ortadan kaldırır.

⚠ UYARI

Tozlu ya da başka şekilde kirlenmiş bir ortamda kullanmayın. Bu tür bir ortamda hava kompresörünü kullanmak ürüne hasar vermenize neden olabilir.

Hava basıncının ayarlanması

Sayfa 197'ya bakın.

1. Açma/kapatma düğmesinin KAPALI (O) konumunda olduğundan ve pil paketinin çıkarıldığından emin olun.
2. Pil paketini ürüne takın.
3. Açma/kapatma düğmesini AÇIK (I) konumuna getirin.
4. Basınç regülatörü topuzunu ayar yapabilmek için dışarı çekin.
5. Basınç regülatörü topuzunu istenen basınca döndürün. Düğmeyi saat yönünde çevirmek çıkıştaki hava basıncını artırır. Saat yönünün tersine çevirmek çıkıştaki hava basıncını düşürür. Ayarlamayı devre dışı bırakmak için basınç regülatörünü itin.
6. Bu kılavuzdaki tüm güvenlik önlemlerine ve üreticinin hava aleti kılavuzundaki talimatlara uyarak şimdi havayla çalışan aletinizi kullanmaya geçebilirsiniz.

⚠ UYARI

Havayla çalışan aletler bu hava kompresörünün sağlayabileceğinden daha fazla hava tüketimi gerektirebilir. Aletin hasarlanmasını veya kişi yaralanmalarını tehlikesini önlemek için aletin kılavuzunu kontrol edin.

7. Hava akışı miktarını basınç regülatör düğmesiyle kontrol edin. Topuzu saat yönünün tersine çevirdiğinizde hava akışı tamamen durur.
NOT: Her zaman uygulamanız için gerekli olan en az miktardaki basıncı kullanın. Gerekli olandan daha fazla basınç kullanmak havayı depodan daha hızlı şekilde boşaltarak ünitenin daha sık aralıkla çalışmasına neden olur.
8. Hava kompresörünü kapatmak için güç anahtarını KAPALI (O) konumuna getirin.
NOT: Kompresör AÇIK (I) konumundayken hava kompresörü atanın tankın hava basıncı önceden ayarlanan basınç limitinin altına düştüğünde otomatik olarak açılacaktır. Ayrıca istenen basınca ulaştığında yeniden kapanacaktır.

⚠ UYARI

Asla üretici tarafından önerilen hava aleti basınç sınırının üstüne çıkmayın. Bu hava kompresörünü bir şişirme cihazı olarak kullanırken her zaman şişirilen ürünün üreticisinin belirttiği maksimum şişirme kurallarına uyun.

⚠ UYARI

Hava aletlerini değiştirmeden veya hortumu hava çıkışından çıkarmadan önce açma/kapatma düğmesinin her zaman KAPALI (O) konumunda olduğundan ve regülatör basıncı göstergesinin sıfır olduğundan emin olun. Bu uyarıya uymamak ciddi olası kişisel yaralanmalara neden olabilir.

9. İşiniz bittiğinde her zaman tankı boşaltın ve pil paketini çıkarın. Ürünü asla çalışır halde veya pil paketi takılı halde bırakmayın.

HAVA TANKININ BOŞALTIMASI

Sayfa 198'ya bakın.

Tankta korozyonu önlemek ve hava tankının nemlenmesini önlemek için kompresörün hava tankı her gün boşaltılmalıdır.

Hava tankını boşaltmak için:

1. Açma/kapatma düğmesinin KAPALI (O) konumunda olduğundan emin olun.
2. Pil paketini çıkarın.
3. Tank basınç göstergesi 1.4 barın (20 PSI) altını gösterene kadar halkayı basınç boşaltma valfinin üzerine çekin.
4. Halkayı gevşetin.
5. Nemi boşaltmak için boşaltma valfinin kolunu saatin tersi yönde çevirin.
NOT: Yoğuşma suyu kirlenmeye neden olan bir maddedir ve yerel düzenlemelere uygun olarak atılmalıdır.

- Boşaltma vakfi kolunu saat yönünde çevirerek boşaltma valfini kapatın.

SIFIRLAMA DÜĞMESİ

Hava kompresörü motoruna giden akım belirtilen üniteyi aşarsa hava kompresörü otomatik olarak kapanır.

Hava kompresörünü sıfırlamak için:

- Pil paketini çıkarın.
- Aleti kapatın.
- Motorun soğuması için üç dakika bekleyin.
- Sıfırlama düğmesine basın.
- Pil paketini ürüne takın.
- Ürünü açın.

BİR KUPLÖRÜN DEĞİŞTİRİLMESİ

Sayfa 199'ya bakın.

- Açma/kapatma düğmesinin KAPALI (O) konumunda olduğundan emin olun.
- Pil paketini çıkarın.
- Tank basınç göstergesi 1.4 barın (20 PSI) altını gösterene kadar halkayı basınç boşaltma valfinin üzerine çekin.
- Halkayı gevşetin.
- Bir anahtar kullanarak saatin tersi yönde çevirerek kuplörü gevşetin ve sökün.
- Bir anahtar kullanarak yeni bir kuplör monte edin ve saat yönünde sıkın.

TAŞIMA VE SAKLAMA

Sayfa 200-201'ya bakın.

- Açma/kapatma düğmesinin KAPALI (O) konumunda olduğundan emin olun.
- Pil paketini çıkarın.
- Hava aletini hortumdaki hava basıncını serbest bırakmak için çalıştırın, sonra hava hortumunu ve hava aletini sökün. Basınç boşaltma valfini çekerek havayı boşaltın.
- "Hava tankının boşaltılması" bölümündeki talimatlara göre tanktan suyu boşaltın.
- Ürünü kuru bir bezle temizleyin.
- Hava hortumunu hortum sarma braketlerinin etrafına sarın.
- Taşıma kollarıyla ürünü taşıyın.
- Hava kompresörünü normal çalışma pozisyonunda kuru ve korumalı bir alanda saklayın.

⚠ UYARI

Kompresör çalışır haldeyken su hava kompresör tankında yoğunlaşır. Tankta kalan su tankın zayıflamasına ve paslanmasına neden olarak tankın kırılma riskini artırır.

⚠ UYARI

Kullanılmadığında veya bakım yapılırken her zaman hava hortumunun aletlerle bağlantısını kesin. Bakım sırasında hava hortumuna bağlı alet kazara çalışabilir ve ciddi kişisel yaralanmalara neden olabilir.

⚠ UYARI

Depolamadan önce pil paketinin hava kompresöründen çıkartılmaması kompresörün sürekli çalışmasıyla sonuçlanabilir, aşırı ısınmaya, kompresörün hasar görmesine ve olası bir yangına neden olabilir.

BAKİM

GENEL BAKIM

- Plastik parçaları temizlerken solventleri kullanmaktan kaçının. Çoğu plastik, piyasada bulunan çözeltiler çeşitlerine karşı hassastır ve bu çözeltilerin kullanılmasından dolayı hasar görebilirler. Kiri, tozu, yağı ve gres yağını temizlemek için temiz bir bez kullanın.
- Asla fren hidroliğinin, benzinin, petrol esaslı ürünlerin, yüzeye işleyen yağların vb. plastik parçalarla temas etmesine izin vermeyin. Bu kimyasal ürünler plastik parçaları zara verebilir; kırabilir ya da bozabilir.
- Temizlemeden veya üründe onarım yapmadan önce her zaman tüm basıncı boşaltın, pil paketini sökün ve ürünün dokunacak kadar soğumasına izin verin.
- Ürünü herhangi bir şekilde değiştirmeyin veya üretici tarafından onaylanmamış aksesuarlar kullanmayın. Sizin ve diğer kişilerin güvenliği tehlikeye girebilir.
- Herhangi bir şalter, koruma veya başka bir fonksiyon amaçlandığı şekilde çalışmıyorsa ürünü kullanmayın. Profesyonel onarım veya ayar işlemi için yetkili bir servis merkezine gönderin.
- Ayar yaparken, yağlarken veya ürün üzerinde herhangi bir bakım yaparken batarya paketinin üzerinden çıkartılmış olduğundan emin olun.
- Her kullanımdan önce ve sonra ürünü hasara veya kırık parçalara karşı kontrol edin. Hasarlı parçaları hemen üretici tarafından onaylanan yedek parçalarla değiştirerek ürünü en iyi çalışma durumunda tutun.

⚠ UYARI

Güvenliği ve güvenilirliği arttırmak için tüm onarım çalışmaları yetkili bir servis merkezi tarafından gerçekleştirilmelidir.

ÇEVRENİN KORUNMASI



Ham maddeleri çöp olarak atmak yerine geri dönüştürün. Çevreyi korumak için, alet, aksesuarlar ve ambalajlar tasnif edilmelidir.

ÜRÜN ÜZERİNDEKİ SEMBOLLER



Güvenlik ikazı



Makineyi çalıştırmadan talimatları dikkatlice okuyun.



CE uygunluğu



EurAsian Uyumluluk işareti



Ukrayna uygunluk işareti



Makineyi kullanırken gözlük takınız.



Kulak koruyucu kullanın.



İç mekanda kullanın



Islak durum uyarısı. Aleti yağmur altında bırakmayın Kapalı mekanda muhafaza edin.



Gaz hareketi riski. Doğrudan hava kompresöründen elde edilen hava asla insan tüketimi için hava sağlamak amacıyla kullanılmamalıdır.



Patlama tehlikesi. Regülatörü aksesuarın işaretli maksimum basıncından daha büyük bir çıkış basıncıyla sonuçlanacak şekilde ayarlamayın. 10 bardan yüksek basınçlarda kullanmayın.



Bu kompresör herhangi bir uyarı vermeden çalışmaya başlayabilir.



Yangın ve patlama tehlikesi.
Püskürtme işlemi yapılacak alan iyi havalandırılmalıdır. Püskürtme yaparken sigara içmeyin veya kıvılcım ya da ateşin bulunduğu yerde püskürtme işlemi yapmayın. Kompresörleri püskürtme alanından mümkün olduğu kadar uzakta tutun. Kompresörü püskürtme alanından ve tüm patlayıcı buharlardan en az 10 m uzakta tutun.



Düzenlenmiş basınç



Tank basıncı



Atık elektrikli ürünler evsel atıklarla birlikte atılmamalıdır. Tesis bulunuyorsa lütfen geri dönüşüme verin. Geri dönüşümle ilgili tavsiye için Yerel Makamlarla veya bayi ile irtibat kurun.

KİTAPÇIKTAKİ SEMBOLLER



Parçalar ya da aksesuarlar ayrı olarak satılır.



Not



Uyarı

Aşağıdaki işaret sözcükleri ve anlamları, bu ürünle ilişkili risk seviyelerini açıklamaya yöneliktir:

⚠ TEHLİKE

Önlenmemesi durumunda ölüm veya ciddi yaralanma ile sonuçlanacak, tehdit edici tehlikeli bir durumu gösterir.

⚠ UYARI

Önlenmemesi durumunda ölüm veya ciddi yaralanma ile sonuçlanabilecek potansiyel olarak tehlikeli bir durumu gösterir.

⚠ DİKKAT

Önlenmemesi durumunda önemsiz veya orta derece yaralanma ile sonuçlanabilecek potansiyel olarak tehlikeli bir durumu gösterir.

DİKKAT

(Güvenlik uyarı simgesiz) maddi hasarla sonuçlanabilecek bir durum belirtir.

EN

FR

DE

ES

IT

NL

PT

DA

SV

FI

NO

RU

PL

CS

HU

RO

LV

LT

ET

HR

SL

SK

BG

UK

TR

EL



Κατά το σχεδιασμό του αεροσυμπιεστή δόθηκε ιδιαίτερη προτεραιότητα στην ασφάλεια, την απόδοση και την αξιοπιστία του.

ΠΡΟΟΡΙΖΟΜΕΝΗ ΧΡΗΣΗ

Ο αεροσυμπιεστής έχει σχεδιαστεί για παροχή μόνο πεπιεσμένου αέρα. Δεν πρέπει να χρησιμοποιείται για τη συμπίεση οποιουδήποτε άλλου αερίου.

Το προϊόν έχει σχεδιαστεί να τροφοδοτεί εργαλεία που λειτουργούν με αέρα και να φουσκώνει αντικείμενα υψηλής πίεσης, όπως ελαστικά αυτοκινήτων και ελαστικά ποδηλάτων.

Το προϊόν προορίζεται αποκλειστικά για χρήση από ενήλικες που έχουν διαβάσει και κατανοήσει τις οδηγίες και τις προειδοποιήσεις του παρόντος εγχειριδίου, ενώ μπορούν να θεωρηθούν υπεύθυνοι για τις πράξεις τους.

Το προϊόν πρέπει να λειτουργεί μόνο σε εσωτερικό χώρο.

Μην χρησιμοποιείτε το προϊόν με τρόπο διαφορετικό από αυτόν που αναφέρεται για τη χρήση του. Η χρήση του μηχανοκίνητου εργαλείου για εργασίες διαφορετικές από τις προοριζόμενες μπορεί να προκαλέσει κινδύνους.

ΓΕΝΙΚΕΣ ΠΡΟΕΙΔΟΠΟΙΗΣΕΙΣ ΑΣΦΑΛΕΙΑΣ

⚠ ΠΡΟΕΙΔΟΠΟΙΗΣΗ

Διαβάστε όλες τις συστάσεις ασφαλείας και τις οδηγίες. Αν δεν τηρηθούν οι προειδοποιήσεις και οδηγίες, υπάρχει κίνδυνος ηλεκτροπληξίας, φωτιάς και / ή σοβαρού τραυματισμού.

Φυλάσσετε όλες τις προειδοποιήσεις και οδηγίες για μελλοντική χρήση.

⚠ ΠΡΟΕΙΔΟΠΟΙΗΣΗ

Όταν χρησιμοποιείτε ηλεκτρικά εργαλεία, θα πρέπει να τηρούνται πάντα βασικές προφυλάξεις για μείωση του κινδύνου φωτιάς, ηλεκτροπληξίας και τραυματισμού. Διαβάστε όλες τις οδηγίες πριν χρησιμοποιήσετε το προϊόν και φυλάξτε τις.

ΑΣΦΑΛΕΙΑ ΣΤΟΝ ΧΩΡΟ ΕΡΓΑΣΙΑΣ

- Διατηρείτε τον χώρο εργασίας καθαρό. Οι χώροι και πάγκοι με συνωστισμό δημιουργούν ιδανικές συνθήκες για ατυχήματα. Μην αφήνετε εργαλεία ή κομμάτια ξύλου στο εργαλείο όσο αυτό λειτουργεί.
- Μην χρησιμοποιείτε το προϊόν σε επικίνδυνο περιβάλλον. Μην χρησιμοποιείτε μηχανοκίνητα υγρασία σε συνθήκες υγρασίας ή σε έκθεση σε βροχή. Διατηρείτε καλό φωτισμό στον χώρο εργασίας.
- Διατηρείτε παιδιά και επισκέπτες μακριά. Όλοι οι παριστάμενοι πρέπει να φορούν γυαλιά ασφαλείας και να διατηρούνται σε ασφαλή απόσταση από τον χώρο εργασίας. Μην αφήνετε επισκέπτες να έρχονται σε επαφή με το προϊόν κατά τη διάρκεια της λειτουργίας.
- Μην χρησιμοποιείτε το εργαλείο σε εκρηκτικές ατμόσφαιρες. Οι φυσιολογικοί σπινθήρες του κινητήρα μπορεί να προκαλέσουν ανάφλεξη σε αναθυμιάσεις.

ΗΛΕΚΤΡΙΚΗ ΑΣΦΑΛΕΙΑ

- Εάν τυχόν κάποιο ηλεκτρικό εξάρτημα του προϊόντος δεν αποδίδει σωστά, κλείστε το διακόπτη λειτουργίας, αφαιρέστε την μπαταρία από το προϊόν και αντικαταστήστε την πριν συνεχίσετε τη λειτουργία.
- Μην εκθέτετε τα ηλεκτροκίνητα εργαλεία σε βροχή ή συνθήκες υγρασίας. Η είσοδος νερού σε ηλεκτροκίνητα εργαλεία αυξάνει τον κίνδυνο ηλεκτροπληξίας.

ΠΡΟΣΩΠΙΚΗ ΑΣΦΑΛΕΙΑ

- Παραμείνετε σε εγρήγορση και διατηρείτε τον έλεγχο. Προσέχετε τι κάνετε και χρησιμοποιείτε την κοινή λογική. Μην χρησιμοποιείτε το εργαλείο αν είστε κουρασμένοι. Μην βιάζεστε.
- Ντυθείτε κατάλληλα. Μην φοράτε χαλαρά ρούχα, γραβάτες ή κοσμήματα που μπορούν να πιαστούν και να σας τραβήξουν στα κινούμενα εξαρτήματα. Προτείνεται η χρήση λαστιχένιων γαντιών και αντιολισθητικών υποδημάτων όταν εργάζεστε σε εξωτερικό χώρο. Καλύπτετε τα μαλλιά σας αν είναι μακριά.
- Φοράτε πάντα προστατευτικά γυαλιά με πλευρική προστασία. Τα καθημερινά γυαλιά έχουν φακούς που προστατεύουν μόνο από την πρόσκρουση. Δεν είναι γυαλιά ασφαλείας.
- Προστατεύστε τους πνεύμονές σας. Φορέστε προστατευτική προσωπίδα ή μάσκα κατά της σκόνης αν η εργασία δημιουργεί σκόνη.
- Προστατεύστε την ακοή σας. Φοράτε προστατευτικά αυτιών σε περιόδους παρατεταμένης χρήσης.
- Μην τεντώνεστε. Διατηρείτε σταθερό πάτημα και ισορροπία συνεχώς.
- Αφαιρέστε κλειδιά προσαρμογής και άλλα κλειδιά. Ελέγχετε πάντα ότι τα κλειδιά και τα κλειδιά προσαρμογής έχουν αφαιρεθεί από το εργαλείο πριν το ενεργοποιήσετε.

ΧΡΗΣΗ ΚΑΙ ΦΡΟΝΤΙΔΑ ΑΕΡΟΣΥΜΠΙΕΣΤΗ

- Μην υπερβαίνετε τη βαθμονόμηση πίεσης οποιουδήποτε τμήματος στο σύστημα.
- Προστατεύστε τις γραμμές των υλικών και τις γραμμές αέρα από φθορές ή διατρήσεις. Κρατήστε τον εύκαμπτο σωλήνα μακριά από αιχμηρά αντικείμενα, χημικές διαρροές, πετρέλαιο, διαλύτες και βρεγμένα δάπεδα.
- Ελέγχετε τους σωλήνες για να βεβαιωθείτε ότι δεν έχουν φθαρεί πριν από κάθε χρήση και βεβαιωθείτε ότι όλες οι συνδέσεις είναι ασφαλείς. Μην χρησιμοποιείτε το προϊόν αν υπάρχουν προβλήματα. Αγοράστε νέο σωλήνα ή ειδοποιήστε ένα εξουσιοδοτημένο κέντρο σέρβις για εξέταση ή επισκευή.
- Απελευθερώστε όλες τις πιέσεις στο σύστημα αργά. Η σκόνη και τα υπολείμματα μπορεί να είναι βλαβερά.
- Φυλάσσετε αεροσυμπιεστές που δεν χρησιμοποιούνται σε μέρη που δεν φθάνουν τα παιδιά και άλλα μη εκπαιδευμένα άτομα. Οι αεροσυμπιεστές είναι επικίνδυνοι σε χέρια μη εκπαιδευμένων χρηστών.
- Συντηρείτε προσεκτικά τους αεροσυμπιεστές. Ακολουθήστε τις οδηγίες συντήρησης. Τα εργαλεία με σωστή συντήρηση ελέγχονται ευκολότερα.





- Ελέγχετε για προβλήματα στην ευθυγράμμιση ή πιάσιμο των κινούμενων εξαρτημάτων, σπάσιμο εξαρτημάτων και άλλες καταστάσεις που μπορεί να επηρεάζουν τη λειτουργία του εργαλείου. Σε περίπτωση ζημιάς, επισκευάστε το προϊόν πριν τη χρήση. Πολλά ατυχήματα προκαλούνται εξαιτίας κακής συντήρησης στα εργαλεία.
- Διατηρείτε το εξωτερικό του προϊόντος στεγνό, καθαρό και χωρίς λάδια και γράσα. Χρησιμοποιείτε πάντα ένα καθαρό πανί όταν το καθαρίζετε. Μην χρησιμοποιείτε ποτέ υγρά φρένων, βενζίνη, προϊόντα με βάση το πετρέλαιο ή οποιαδήποτε άλλα ισχυρά διαλυτικά για τον καθαρισμό της μονάδας. Ακολουθώντας αυτόν τον κανόνα, μειώνετε τον κίνδυνο φθοράς του εσωτερικού πλαστικού.

ΣΥΝΤΗΡΗΣΗ

- Κατά τη συντήρηση, χρησιμοποιείτε μόνο πανομοιότυπα ανταλλακτικά. Η χρήση οποιουδήποτε άλλου ανταλλακτικού μπορεί να παρουσιάσει κίνδυνο ή να προκαλέσει ζημιά στο εργαλείο σας.

Φυλάξτε αυτές τις οδηγίες. Συμβουλευτείτε συχνά τις οδηγίες και χρησιμοποιήστε τις για να ενημερώσετε άλλους χρήστες. Αν δανείσετε σε κάποιον το εργαλείο, δώστε μαζί και αυτές τις οδηγίες.

ΠΡΟΕΙΔΟΠΟΙΗΣΕΙΣ ΑΣΦΑΛΕΙΑΣ ΓΙΑ ΤΟΝ ΑΕΡΟΣΥΜΠΙΕΣΤΗ

- Γνωρίστε το προϊόν σας. Διαβάστε προσεκτικά το εγχειρίδιο χρήσης. Μάθετε τις εφαρμογές της συσκευής και τους περιορισμούς της καθώς και τους συγκεκριμένους πιθανούς κινδύνους που σχετίζονται με το εργαλείο. Θα μειώσετε έτσι τον κίνδυνο ηλεκτροπληξίας, πυρκαγιάς ή σοβαρού τραυματισμού.
- Αποστραγγίστε την υγρασία από το δοχείο αέρα μετά από τη χρήση καθημερινά. Αν το προϊόν δεν πρόκειται να χρησιμοποιηθεί για κάποιο χρονικό διάστημα, είναι καλύτερο να αφήσετε τη βαλβίδα αποστράγγισης ανοικτή μέχρι την επόμενη χρήση. Αυτό επιτρέπει την πλήρη αποστράγγιση της υγρασίας και βοηθά στην αποτροπή της διάβρωσης στο εσωτερικό του δοχείου.
- Κίνδυνος φωτιάς ή έκρηξης. Μην ψεκάζετε εύφλεκτα υγρά σε περιορισμένους χώρους. Ο χώρος ψεκασμού πρέπει να έχει καλό εξαερισμό. Μην καπνίζετε ενώ ψεκάζετε και μην ψεκάζετε όπου υπάρχουν σπινθήρες ή φλόγες. Κρατάτε το προϊόν τουλάχιστον 10 μέτρα μακριά από την περιοχή ψεκασμού και όλους τους κερηκτικούς ατμούς.
- Κίνδυνος έκρηξης. Μην προσαρμόζετε το ρυθμιστή με τρόπο ώστε να προκύπτει πίεση εξόδου μεγαλύτερη από την μέγιστη πίεση που επισημαίνεται για το προσάρτημα. Μην χρησιμοποιείτε με πίεση άνω των 8,3 bar.
- Μην εκθέτετε στη βροχή γιατί υπάρχει κίνδυνος ηλεκτροπληξίας. Αποθηκεύστε τη συσκευή σε εσωτερικό χώρο.
- Επιθεωρείτε το δοχείο αέρα για σκουριά, τρυπούλες ή άλλες ατέλειες που θα μπορούσαν να το καταστήσουν μη ασφαλές.
- Μην συγκολλάτε ή ανοίγετε τρύπες στη δεξαμενή αέρα.
- Βεβαιωθείτε ότι ο σωλήνας δεν έχει αποφράξεις

ή προεσοχές. Μπλεγμένοι ή τασικισμένοι σωλήνες μπορούν να προκαλέσουν απώλεια πατήματος ή ισορροπίας και να φθαρούν.

- Χρησιμοποιείτε το προϊόν μόνο για τις ενδειγμένες χρήσεις. Μην αλλάζετε ή τροποποιείτε τη μονάδα από τον αρχικό σχεδιασμό ή λειτουργία της.
- Να θυμάστε ότι η κακή χρήση και ο ανάρμοστος χειρισμός του εργαλείου μπορούν να προκαλέσουν τραυματισμούς σε εσάς και σε άλλους.
- Μην αφήνετε ποτέ το προϊόν χωρίς επιτήρηση με τον εύκαμπτο σωλήνα προσαρτημένο σε εργαλείο.
- Μην στρέφετε ποτέ οποιοδήποτε εργαλείο αέρα προς τον εαυτό σας ή προς άλλα άτομα.
- Μην χρησιμοποιείτε το εργαλείο αν δεν περιέχει ευανάγνωστη προειδοποιητική ετικέτα.
- Μην συνεχίζετε να χρησιμοποιείτε εργαλεία ή σωλήνες που έχουν διαρροή αέρα ή δεν λειτουργούν σωστά.
- Αποσυνδέετε πάντοτε την παροχή αέρα και αφαιρέστε την μπαταρία πριν κάνετε ρυθμίσεις, σέρβις στο προϊόν ή όταν το προϊόν δεν χρησιμοποιείται.
- Μην τραβάτε και μην μεταφέρετε το προϊόν κρατώντας το από τον σωλήνα.
- Το εργαλείο σας μπορεί να απαιτεί μεγαλύτερη κατανάλωση αέρα από αυτήν που είναι σε θέση να παρέχει το προϊόν.
- Τηρείτε πάντα όλους τους κανόνες ασφαλείας που συνιστά ο κατασκευαστής του εργαλείου αέρα σας, αλλά και όλους τους κανόνες ασφαλείας για τον αεροσυμπιεστή. Ακολουθώντας αυτόν τον κανόνα, μειώνετε τον κίνδυνο σοβαρού τραυματισμού.
- Μην γυρίζετε ποτέ μια ριπή πεπιεσμένου αέρα προς ανθρώπους ή ζώα. Προσέχετε να μην φυσήξετε σκόνη και υλικά προς τον εαυτό σας ή άλλους. Ακολουθώντας αυτόν τον κανόνα, μειώνετε τον κίνδυνο σοβαρού τραυματισμού.
- Μην χρησιμοποιείτε τη συσκευή για ψεκασμό χημικών ουσιών. Η εισπνοή τοξικών αναθυμιάσεων μπορεί να προκαλέσει βλάβες στους πνευμόνες σας. Ίσως είναι απαραίτητη η χρήση αναπνευστήρα σε περιβάλλον με έντονη σκόνη ή κατά τον ψεκασμό μπαταρίας. Μην μεταφέρετε το προϊόν ενώ βάφετε.
- Ελέγχετε τα καλώδια εργαλείων και τους σωλήνες τακτικά και σε περίπτωση φθοράς, επισκευάστε τα στο πλησιέστερο εξουσιοδοτημένο κέντρο σέρβις. Φροντίστε να έχετε πάντα που βρίσκεται το καλώδιο. Θα μειώσετε έτσι τον κίνδυνο ηλεκτροπληξίας.
- Ελέγχετε για προβλήματα στην ευθυγράμμιση ή πιάσιμο των κινούμενων εξαρτημάτων, σπάσιμο εξαρτημάτων και άλλες καταστάσεις που μπορεί να επηρεάζουν τη λειτουργία του εργαλείου. Σε περίπτωση ζημιάς, επισκευάστε το προϊόν πριν τη χρήση. Πολλά ατυχήματα προκαλούνται εξαιτίας κακής συντήρησης στα εργαλεία.
- Όταν πρέπει να αφαιρεθούν σταθερά προστατευτικά για περιοδική συντήρηση ή επισκευές, τα συστήματα στερέωσής τους πρέπει να παραμένουν προσαρτημένα στο προστατευτικό ή στο μηχανήμα όταν αφαιρούνται τα προστατευτικά.
- Μην αποθηκεύετε ποτέ ένα εργαλείο με συνδεδεμένο τον εύκαμπτο σωλήνα. Η αποθήκευση του εργαλείου





ενώ είναι συνδεδεμένο σε παροχή αέρα μπορεί να οδηγήσει σε μη αναμενόμενη λειτουργία, πυροδότηση ή κίνηση και πιθανό σοβαρό τραυματισμό.

- Προστατεύστε τους πνευμονές σας. Φορέστε προστατευτική προσωπίδα ή μάσκα κατά της σκόνης αν η εργασία δημιουργεί σκόνη. Ακολουθώντας αυτόν τον κανόνα, μειώνετε τον κίνδυνο σοβαρού τραυματισμού.
- Φυλάξτε αυτoς τις οδηγίες. Συμβουλευτείτε συχνά τις οδηγίες και χρησιμοποιήστε τις για να ενημερώσετε άλλα άτομα που μπορεί να χρησιμοποιήσουν το προϊόν. Αν δανείσετε σε κάποιον το εργαλείο, δώστε μαζί και αυτές τις οδηγίες.
- Χρησιμοποιείτε τη μηχανή μπροστά από τον πίνακα ελέγχου.
- Όταν το μηχάνημα λειτουργεί, πολλά εξαρτήματά του μπορεί να προκαλέσουν υψηλές θερμοκρασίες. Χρησιμοποιείτε τον κατάλληλο εξοπλισμό προσωπικής προστασίας, όπως γάντια, για την αποφυγή τραυματισμών που προκύπτουν από υψηλή θερμοκρασία.
- Το προϊόν δεν προορίζεται για χρήση από άτομα (συμπεριλαμβανομένων παιδιών) με μειωμένες σωματικές, αισθητηριακές ή διανοητικές ικανότητες ή έλλειψη εμπειρίας και γνώσης. Επιτηρείτε τα παιδιά ώστε να μην παίζουν με τη συσκευή.

ΟΔΗΓΙΕΣ ΑΣΦΑΛΕΙΑΣ ΜΠΑΤΑΡΙΑΣ ΚΑΙ ΦΟΡΤΙΣΤΗ

▲ ΠΡΟΕΙΔΟΠΟΙΗΣΗ

Για να αποτρέψετε τον κίνδυνο πυρκαγιάς λόγω βραχυκυκλώματος, τραυματισμούς ή ζημιές του προϊόντος, να μη βυθίζετε το εργαλείο, τον ανταλλακτικό συσσωρευτή ή τη συσκευή φόρτισης σε υγρά και να φροντίζετε, ώστε να μη διεισδύουν υγρά στις συσκευές και τους συσσωρευτές Διαβρωτικές ή αγώγιμες υγρές ουσίες, όπως αλατόνερο, ορισμένες χημικές ουσίες και λευκαντικά ή προϊόντα που περιέχουν λευκαντικά, μπορεί να προκαλέσουν βραχυκύκλωμα.

- **Επαναφορτίστε μόνο με το φορτιστή που καθορίζει ο κατασκευαστής.** Κάθε φορτιστής μπορεί να είναι κατάλληλος μόνο για έναν τύπο μπαταρίας και να προκαλέσει κίνδυνο φωτιάς αν χρησιμοποιηθεί με μπαταρία άλλου τύπου.
- **Χρησιμοποιείτε μόνο τις ειδικά σχεδιασμένες μπαταρίες για τα ηλεκτρικά εργαλεία.** Χρήση τυχόν άλλων μπαταριών μπορεί να προκαλέσει κίνδυνο τραυματισμού και πυρκαγιάς.
- **Όταν η μπαταρία δεν χρησιμοποιείται, διατηρείτε την μακριά από άλλα μεταλλικά αντικείμενα όπως συνδετήρες, κέρματα, κλειδιά, καρφιά, βίδες ή άλλα μικρά μεταλλικά αντικείμενα που μπορούν να δημιουργήσουν σύνδεση μεταξύ των τερματικών.** Τυχόν ένωση των άκρων των μπαταριών μπορεί να προκαλέσει εγκαύματα ή φωτιά.
- **Υπό συνθήκες κακής χρήσης, μπορεί να εκρυσταίει υγρό από την μπαταρία. Αποφύγετε την επαφή. Αν προκύψει τυχαία επαφή, ξεπλύνετε με νερό. Αν το υγρό έρθει σε επαφή με τα μάτια, ζητήστε πρόσθετη ιατρική βοήθεια.** Υγρό που εκρέει από την μπαταρία μπορεί να προκαλέσει ερεθισμό ή εγκαύματα.
- **Τα προϊόντα μπαταρίας δεν χρειάζεται να συνδεθούν σε ηλεκτρική πρίζα, επομένως είναι πάντα σε κατάσταση λειτουργίας. Προσέχετε τους πιθανούς κινδύνους όταν δεν χρησιμοποιείτε το προϊόν ή όταν αλλάζετε εξαρτήματα.** Θα μειώσετε έτσι τον κίνδυνο ηλεκτροπληξίας, πυρκαγιάς ή σοβαρού τραυματισμού.
- **Μην τοποθετείτε τα προϊόντα που λειτουργούν με μπαταρίες ή τις μπαταρίες τους κοντά σε φωτιά ή θερμότητα.** Έτσι μειώνετε τον κίνδυνο έκρηξης και πιθανού τραυματισμού.
- **Μην πιέζετε, ρίχνετε ή φθείρετε την μπαταρία. Μην χρησιμοποιείτε μπαταρίες ή φορτιστές που έχουν πέσει ή δεχθεί δυνατό χτύπημα.** Οι φθαρμένες μπαταρίες μπορεί να προκαλέσουν έκρηξη. Απορρίψτε κατάλληλα μπαταρίες που έχουν πέσει ή φθαρεί αμέσως.
- **Οι μπαταρίες μπορούν να προκαλέσουν έκρηξη αν υπάρχει εστία ανάφλεξης, όπως φλόγα ενάυσματος.** Για να μειώσετε τον κίνδυνο σοβαρού τραυματισμού, μην χρησιμοποιείτε ποτέ ασύρματα προϊόντα όταν υπάρχει ανοιχτή φλόγα. Αν η μπαταρία εκραγεί, μπορεί να εκτινάξει υπολείμματα και χημικά. Σε περίπτωση επαφής με αυτά, ξεπλύνετε αμέσως με νερό.
- **Μην φορτίζετε το προϊόν μπαταρίας σε υγρές τοποθεσίες ή συνθήκες υγρασίας.** Θα μειώσετε έτσι τον κίνδυνο ηλεκτροπληξίας.
- **Για βέλτιστη απόδοση, η φόρτιση της μπαταρίας θα πρέπει να πραγματοποιείται σε χώρους με θερμοκρασία μεταξύ 10°C και 38°C.** Προς αποφυγή σοβαρού ατυχήματος, μην αποθηκεύετε τη συσκευή σε εξωτερικό χώρο ή σε οχήματα.
- **Σε συνθήκες ακραίας χρήσης ή σε ακραίες θερμοκρασίες, μπορεί να προκληθεί διαρροή μπαταρίας. Αν το υγρό της μπαταρίας έρθει σε επαφή με το δέρμα σας, πλυθείτε αμέσως με σαπούνι και νερό. Αν το υγρό έρθει σε επαφή με τα μάτια σας, ξεπλύνετε τα με καθαρό νερό για τουλάχιστον 10 λεπτά και ζητήστε άμεση ιατρική βοήθεια.** Ακολουθώντας αυτόν τον κανόνα, μειώνετε τον κίνδυνο σοβαρού τραυματισμού.
- **Μη χρησιμοποιείτε μπαταρίες που έχουν υποστεί τροποποιήσεις ή φέρουν φθορές.** Οι μπαταρίες που έχουν υποστεί τροποποιήσεις ή βλάβες ενδέχεται να εμφανίσουν απρόβλεπτη συμπεριφορά με αποτέλεσμα φωτιά, έκρηξη ή κίνδυνο τραυματισμού.
- **Μην επιχειρείτε να τροποποιήσετε ή να επισκευάσετε μπαταρία η οποία φέρει φθορές.**
- **Μην επιτρέπτε την έκθεση μπαταριών ή εργαλείων σε φωτιά ή πολύ υψηλή θερμοκρασία.** Η έκθεση σε φωτιά ή θερμοκρασία υψηλότερη των 130°C μπορεί να προκαλέσει έκρηξη.
- **Ακολουθείτε όλες τις οδηγίες φόρτισης. Μην φορτίζετε τις μπαταρίες ή το εργαλείο υπό θερμοκρασίες εκτός αυτών που αναφέρονται στις οδηγίες.** Η λανθασμένη φόρτιση ή φόρτιση υπό θερμοκρασίες εκτός αυτών που αναφέρονται, μπορεί να προκαλέσει ζημιά στη μπαταρία και να αυξήσει τον κίνδυνο φωτιάς.





ΜΕΤΑΦΟΡΑ ΜΠΑΤΑΡΙΩΝ ΛΙΘΙΟΥ

Μεταφέρετε τη μπαταρία σε συμφωνία με τις τοπικές εθνικές διατάξεις και τους κανονισμούς.

Τηρείτε όλες τις ειδικές απαιτήσεις στη συσκευασία και στην ετικέτα κατά τη μεταφορά των μπαταριών από τρίτους. Εξασφαλίστε ότι δεν θα έρχονται σε επαφή οι μπαταρίες με άλλες μπαταρίες ή με αγώγιμα υλικά κατά τη διάρκεια της μεταφοράς, προστατεύοντας τους εκτεθειμένους συνδέσμους με μόνωση, μη αγώγιμα πώματα ή ταινία. Μη μεταφέρετε μπαταρίες που έχουν χτυπήματα ή διαρροή. Ενημερωθείτε από τη πρακτορεία μεταφορών για περαιτέρω ειδοποιήσεις.

ΜΠΑΤΑΡΙΕΣ

Οι μπαταρίες που δεν έχουν χρησιμοποιηθεί για κάποιο διάστημα, χρειάζεται να φορτιστούν πριν από την χρήση.

Οι θερμοκρασίες που υπερβαίνουν τους 50 °C μειώνουν την απόδοση της μπαταρίας. Αποφύγετε την παρατεταμένη έκθεση σε θερμότητα ή την ηλιακή αντινοβολία (κίνδυνος υπερθέρμανσης).

Οι επαφές των φορτιστών και των μπαταριών πρέπει να διατηρούνται καθαρές.

Για μέγιστη διάρκεια ζωής, οι μπαταρίες πρέπει να φορτίζονται πλήρως μετά τη χρήση.

Για να εξασφαλίσετε τη μέγιστη δυνατή διάρκεια ζωής της μπαταρίας, αφαιρέστε την μπαταρία από τον φορτιστή μόλις φορτιστεί πλήρως.

Για αποθήκευση μπαταριών πάνω από 30 ημέρες:

- Αποθηκεύστε την μπαταρία σε χώρο όπου η θερμοκρασία είναι κάτω από 27 °C και μακριά από την υγρασία.
- Αποθηκεύετε τις μπαταρίες φορτισμένες κατά 30%-50%.
- Κάθε έξι μήνες αποθήκευσης, φορτίζετε τη μπαταρία ως συνήθως.

ΠΡΟΣΤΑΣΙΑ ΜΠΑΤΑΡΙΑΣ

Η μπαταρία διαθέτει προστασία υπερφόρτωσης που την προστατεύει από την υπερφόρτωση και βοηθά να εξασφαλίζεται μακρά διάρκεια ζωής. Υπό ακραία καταπόνηση, τα ηλεκτρονικά στοιχεία της μπαταρίας απενεργοποιούν αυτόματα το προϊόν. Για να ξαναθέσετε το προϊόν σε λειτουργία, απενεργοποιήστε και στη συνέχεια ενεργοποιήστε το ξανά. Αν το προϊόν δεν ξεκινήσει ξανά, ενδέχεται να έχει αποφορτιστεί πλήρως η μπαταρία. Στην περίπτωση αυτή μπορεί να φορτιστεί και πάλι με τον φορτιστή μπαταρίας.

ΆΛΛΟΙ ΚΙΝΔΥΝΟΙ

Ακόμη και όταν το προϊόν χρησιμοποιείται σύμφωνα με τις οδηγίες, δεν είναι δυνατή η απόλυτη απαλειφή συγκεκριμένων παραγόντων κινδύνου. Κατά τη χρήση μπορεί να προκύψουν οι ακόλουθοι κίνδυνοι και ο χειριστής πρέπει να δίδει ιδιαίτερη προσοχή προς αποφυγή των εξής:

- Χρησιμοποιείτε το προϊόν μόνο για τις ενδεδειγμένες χρήσεις. Μην αλλάζετε ή τροποποιείτε τη μονάδα από τον αρχικό σχεδιασμό ή λειτουργία της.

- Να θυμάστε ότι η κακή χρήση και ο ανάρμοστος χειρισμός του εργαλείου μπορούν να προκαλέσουν τραυματισμούς σε εσάς και σε άλλους.
- Μην αφήνετε ποτέ το προϊόν χωρίς επίτηρηση με τον εύκαμπτο σωλήνα προσαρτημένο σε εργαλείο.
- Μην συνεχίζετε να χρησιμοποιείτε εργαλεία ή σωλήνες που έχουν διαρροή αέρα ή δεν λειτουργούν σωστά.
- Κίνδυνος έκρηξης
 - Μην προσαρμζόζετε το ρυθμιστή με τρόπο ώστε να προκύπτει πίεση εξόδου μεγαλύτερη από την μέγιστη πίεση που επισημαίνεται για το προσάρτημα.
- Παράγονται θερμότητα και υψηλές θερμοκρασίες κατά τη διάρκεια λειτουργίας του κινητήρα και του κυλίνδρου. Το άγγιγμα εκτεθειμένου μετάλλου μπορεί να οδηγήσει σε σοβαρά εγκαύματα.
 - Φυλάσσετε πάντα τον αεροσυμπιεστή μακριά από τους χώρους εργασίας.
- Τραυματισμοί από τον θόρυβο
 - Φοράτε προστατευτικά αυτιών.
- Το αέριο από τον αεροσυμπιεστή μπορεί να προκαλέσουν κίνηση με μεγάλη ταχύτητα ρύπων, ροκανιδιών, χαλαρών σωματιδίων και μικρών αντικειμένων. Το αποτέλεσμα μπορεί να είναι η εκτίναξη αντικειμένων στα μάτια ή άλλος πιθανός σοβαρός τραυματισμός.
 - Πάντα φοράτε τον σωστό εξοπλισμό ατομικής προστασίας όταν χειρίζεστε διαφορετικά εργαλεία.

ΓΝΩΡΙΣΤΕ ΤΟ ΠΡΟΪΟΝ ΣΑΣ

Βλέπε σελίδα 195.

1. Βραχίονες τύλιξης εύκαμπτου σωλήνα
2. Σύνδεσμος γρήγορης σύνδεσης
3. Αρσενικός σύνδεσμος PCL τύπου υψηλής ροής 1/4" BSP
4. Μέτρηση πίεσης δεξαμενής
5. Κουμπί ρύθμισης πίεσης
6. Ρυθμιστική μέτρηση πίεσης
7. Λαβή μεταφοράς
8. Βαλβίδα ασφάλειας
9. Διακόπτης ενεργοποίησης/απενεργοποίησης (on/off)
10. Μπαταρία
11. Βαλβίδα αποστράγγισης
12. Κουμπί επαναφοράς

ΑΝΟΙΓΜΑ ΣΥΣΚΕΥΑΣΙΑΣ

Επιθεωρήστε προσεκτικά το εργαλείο για να βεβαιωθείτε ότι δεν πρόέκυψε θραύση ή ζημιά κατά την αποστολή.

Μην απορρίψετε το υλικό συσκευασίας μέχρι να εξετάσετε προσεκτικά το εργαλείο και να το έχετε λειτουργήσει ικανοποιητικά.

⚠ ΠΡΟΕΙΔΟΠΟΙΗΣΗ

Αν κάποια εξαρτήματα έχουν υποστεί ζημιά ή λείπουν, μην λειτουργήσετε το προϊόν αυτό μέχρι να αντικατασταθούν τα εξαρτήματα. Η χρήση του προϊόντος αυτού με εξαρτήματα που έχουν υποστεί ζημιά ή λείπουν θα μπορούσε να οδηγήσει σε σοβαρό ατομικό τραυματισμό.



⚠ ΠΡΟΕΙΔΟΠΟΙΗΣΗ

Μην προσπαθήσετε να τροποποιήσετε το εργαλείο σας ή να προσθέσετε εξαρτήματα ή χρήση των οποίων δε συνιστάται. Κάθε τέτοια τροποποίηση ή αλλαγή αποτελεί κατάχρηση και μπορεί να οδηγήσει σε επικίνδυνες συνθήκες και σε πιθανό σοβαρό τραυματισμό.

⚠ ΠΡΟΕΙΔΟΠΟΙΗΣΗ

Για να αποτρέψετε εκκίνηση κατά λάθος που θα μπορούσε να προκαλέσει σοβαρό προσωπικό τραυματισμό, αφαιρείτε πάντα την μπαταρία από το προϊόν όταν συναρμολογείται τα μέρη.

ΛΕΙΤΟΥΡΓΙΑ

ΠΡΟΕΤΟΙΜΑΣΙΑ

Σύνδεση/αποσύνδεση εύκαμπτου σωλήνα αέρα

Βλέπε σελίδα 196.

ΣΗΜΕΙΩΣΗ Για λειτουργία με χρήση πιέσεων πάνω από 7 bar, (102 psi) οι σωλήνες παροχής θα πρέπει να εξοπλίζονται με καλώδιο ασφαλείας, π.χ. σφραγιστικό ασφαλείας.

1. Βεβαιωθείτε ότι ο διακόπτης ενεργοποίησης/ απενεργοποίησης βρίσκεται στη θέση ANENERGO (O) και η μπαταρία έχει αποσυνδεθεί.
2. Τραβήξτε τον περιστροφικό διακόπτη του ρυθμιστή πίεσης προς τα έξω για να διευκολύνετε την ρύθμιση. Στρέψτε τον περιστροφικό διακόπτη του ρυθμιστή πίεσης τέρμα αριστερά.
3. Βεβαιωθείτε ότι η πίεση εξόδου είναι στα μηδέν bar.
4. Συνδέστε έναν εύκαμπο σωλήνα πίεσης με σύνδεσμο σε έναν σύνδεσμο γρήγορης σύνδεσης των 6,35 mm (1/4 in.) στον αεροσυμπιεστή. Φροντίστε να στρώσετε το σύνδεσμο ως το τέρμα μέσα στο σύνδεσμο γρήγορης σύνδεσης μέχρι το περίβλημα του τελευταίου να πιναχτεί εμπρός και να κλειδώσει το σύνδεσμο στη θέση του.

Για να αποσυνδέσετε έναν σωλήνα αέρα ή ένα εργαλείο αέρα:

1. Τραβήξτε τον περιστροφικό διακόπτη του ρυθμιστή πίεσης προς τα έξω για να διευκολύνετε την ρύθμιση. Στρέψτε τον περιστροφικό διακόπτη του ρυθμιστή πίεσης τέρμα αριστερά.
2. Βεβαιωθείτε ότι η πίεση εξόδου είναι στα μηδέν bar.
3. Τραβήξτε προς τα πίσω το χιτώνιο απελευθέρωσης στον γρήγορο συζευκτήρα 6.35 mm. Πιάνοντας σταθερά, τραβήξτε προς τα έξω τον σύνδεσμο του εύκαμπτου σωλήνα που είναι συνδεδεμένος με το σύνδεσμο γρήγορης σύνδεσης.

Σύνδεση/αφαίρεση μπαταρίας

1. Βεβαιωθείτε ότι ο διακόπτης ενεργοποίησης/ απενεργοποίησης βρίσκεται στη θέση ANENERGO (O). Εισαγάγετε μια μπαταρία μέσα στη θύρα της μπαταρίας.
2. Βεβαιωθείτε ότι οι εσοχές στις δύο πλευρές της μπαταρίας κλειδώνουν στη θέση τους και ότι η μπαταρία είναι καλά τοποθετημένη στο προϊόν πριν ξεκινήσετε τη χρήση του.

4. Πιέστε τα άγκιστρα για να αφαιρέσετε το σώμα μπαταρίας.
5. Για πλήρεις οδηγίες φόρτισης, δείτε τα εγχειρίδια χειριστή για την μπαταρία και το φορτιστή.

ΧΡΗΣΗ ΤΟΥ ΑΕΡΟΣΥΜΠΙΕΣΤΗ

⚠ ΚΙΝΔΥΝΟΣ

Μην αποσυναρμολογείτε τις βαλβίδες αποστράγγισης του δοχείου ή τη βαλβίδα ασφαλείας με αέρα στο δοχείο του αέρα. Απελευθερώστε τον αέρα από το δοχείο αέρα. Αν δεν αποσυμπιέσετε το δοχείο αέρα θα μπορούσε να προκληθεί έκρηξη ή/και σοβαρός προσωπικός τραυματισμός.

⚠ ΠΡΟΕΙΔΟΠΟΙΗΣΗ

Φοράτε πάντα προστατευτικά ματιών με πλαϊνές ασπίδες. Η μη τήρηση της σύστασης αυτής μπορεί να προκαλέσει την προβολή ξένων σωμάτων στα μάτια σας επιφέροντας σοβαρές οφθαλμικές βλάβες.

⚠ ΠΡΟΕΙΔΟΠΟΙΗΣΗ

Μην χρησιμοποιείτε άλλα ανταλλακτικά ή εξαρτήματα εκτός από αυτά που συνιστά ο κατασκευαστής για το εργαλείο αυτό. Η χρήση μη συνιστώμενων ανταλλακτικών ή εξαρτημάτων μπορεί να επιφέρει κίνδυνο σοβαρού τραυματισμού.

⚠ ΠΡΟΕΙΔΟΠΟΙΗΣΗ

Μην συνδέετε εργαλεία στο ανοιχτό άκρο του σωλήνα μέχρι να ολοκληρωθεί η έναρξη.

⚠ ΠΡΟΕΙΔΟΠΟΙΗΣΗ

Αφαιρείτε πάντα την μπαταρία από το εργαλείο σας όταν συναρμολογ έιτε εξαρτήματα , κάνετε προσαρμογές, το καθαρίζετε ή δεν το χρησιμοποιείτε. Αφαιρώντας την μπαταρία αποφεύγετε την τυχαία έναρξη που μπορεί να προκαλέσει σοβαρό τραυματισμό.

⚠ ΠΡΟΕΙΔΟΠΟΙΗΣΗ

Μην χρησιμοποιείτε το προϊόν σε χώρο με σκόνη ή άλλη μόλυνση. Η χρήση του αεροσυμπιεστή σε αυτόν τον τύπο περιβάλλοντος μπορεί να προκαλέσει ζημιά στον αεροσυμπιεστή.

Ρύθμιση της πίεσης αέρα

Βλέπε σελίδα 197.

1. Βεβαιωθείτε ότι ο διακόπτης ενεργοποίησης/ απενεργοποίησης βρίσκεται στη θέση ANENERGO (O) και η μπαταρία έχει αφαιρεθεί.
2. Συνδέστε την μπαταρία με το προϊόν.
3. Πατήστε το διακόπτη ενεργοποίησης/ απενεργοποίησης στη θέση ENERGO (I).
4. Τραβήξτε τον περιστροφικό διακόπτη του ρυθμιστή πίεσης προς τα έξω για να διευκολύνετε την ρύθμιση.



EN
FR
DE
ES
IT
NL
PT
DA
SV
FI
NO
RU
PL
CS
HU
RO
LV
LT
ET
HR
SL
SK
BG
UK
TR
EL

5. Στρέψτε το διακόπτη του ρυθμιστή πίεσης στην επιθυμητή θέση. Γυρίζοντας το κουμπί δεξιόστροφα, αυξάνεται η πίεση αέρα στην έξοδο. Γυρίζοντας αριστερόστροφα, μειώνεται η πίεση αέρα στην έξοδο. Πατήστε το διακόπτη του ρυθμιστή πίεσης για να απενεργοποιήσετε την ρύθμιση.
6. Τηρώντας όλες τις προφυλάξεις ασφαλείας στο εγχειρίδιο αυτό και τις οδηγίες του κατασκευαστή στο εγχειρίδιο του εργαλείου αέρα, μπορείτε πλέον να προχωρήσετε στη χρήση του εργαλείου που λειτουργεί με αέρα.

⚠ ΠΡΟΕΙΔΟΠΟΙΗΣΗ

Τα εργαλεία που λειτουργούν με αέρα μπορεί να χρειάζονται μεγαλύτερη κανάλωση αέρα από αυτήν που είναι σε θέση να παρέχει αυτός ο αεροσυμπιεστής. Ελέγχετε το εργαλείο μη αυτόματα για να αποφύγετε ζημιές σε αυτό ή τραυματισμούς.

7. Ελέγξτε την ποσότητα ροής αέρα με το κουμπί ρύθμισης πίεσης. Αν στρέψετε τον περιστροφικό διακόπτη τέρμα αριστερά θα σταματήσει εντελώς η ροή αέρα.

ΣΗΜΕΙΩΣΗ Χρησιμοποιείτε πάντα την ελάχιστη πίεση που απαιτείται για την εφαρμογή σας. Η χρήση υψηλότερης πίεσης από αυτήν που απαιτείται, προκαλεί εκκένωση της δεξαμενής από τον αέρα γρηγορότερα και κάνει την μονάδα να εκτελεί συχνότερους κύκλους.

8. Για να απενεργοποιήσετε τον αεροσυμπιεστή, πατήστε το διακόπτη ενεργοποίησης/ απενεργοποίησης στη θέση ANENERGO (O).

ΣΗΜΕΙΩΣΗ Όταν ο συμπιεστής βρίσκεται στη θέση ON (I), ο αεροσυμπιεστής ενεργοποιείται αυτόματα όταν η καθορισμένη πίεση αέρα στο δοχείο αέρα πέφτει κάτω από το προκαθορισμένο όριο πίεσης. Επίσης κλείνει και πάλι όταν επιτευχθεί η επιθυμητή πίεση.

⚠ ΠΡΟΕΙΔΟΠΟΙΗΣΗ

Μην υπερβαίνετε ποτέ την ονομαστική τιμή πίεσης του εργαλείου που λειτουργεί με αέρα που συνιστά ο κατασκευαστής. Όταν χρησιμοποιείτε αυτόν τον αεροσυμπιεστή ως τρόμπτα, πάντα τηρείτε τις οδηγίες μέγιστης διόγκωσης που δηλώνει ο κατασκευαστής του αντικείμενου που φουσκώνετε.

⚠ ΠΡΟΕΙΔΟΠΟΙΗΣΗ

Πάντα βεβαιώνετε ότι ο διακόπτης ενεργοποίησης/ απενεργοποίησης στη θέση ANENERGO (O) και ο μετρητής πίεσης του ρυθμιστή δείχνει μηδέν πριν αλλάξετε εργαλεία αέρα ή αποσυνδέσετε τον εύκαμπτο σωλήνα από την έξοδο αέρα. Διαφορετικά μπορεί να προκληθεί σοβαρός τραυματισμός.

9. Όταν τελειώσετε, πάντα αποστραγγίζετε το δοχείο και αφαιρείτε την μπαταρία. Ποτέ μην αφήνετε το προϊόν να λειτουργεί ή να μένει συνδεδεμένο στην μπαταρία.

ΑΠΟΣΤΡΑΓΓΙΣΗ ΤΟΥ ΔΟΧΕΙΟΥ ΑΕΡΑ

Βλέπε σελίδα 198.

Για να αποτρέψετε διάβρωση του δοχείου και να κρατήσετε

την υγρασία μακριά από το δοχείο αέρα, το δοχείο αέρα του αεροσυμπιεστή θα πρέπει να αποστραγγίζεται καθημερινά.

Για να αποστραγγίσετε το δοχείο αέρα:

1. Βεβαιωθείτε ότι ο διακόπτης ενεργοποίησης/ απενεργοποίησης βρίσκεται στη θέση ANENERGO (O).
2. Αφαιρέστε τη μπαταρία.
3. Τραβήξτε τον δακτύλιο της βαλβίδας εκτόνωσης πίεσης μέχρι ο μετρητής πίεσης του δοχείου να δείχνει λιγότερο από 1,4 bar (20 PSI).
4. Απελευθερώστε τον δακτύλιο.
5. Στρέψτε τον μοχλό της βαλβίδας αποστράγγισης προς τα αριστερά για να αποστραγγίσετε την υγρασία.
ΣΗΜΕΙΩΣΗ Τα εξιδρώματα αποτελούν ρυπαντικό υλικό και θα πρέπει να απορρίπτονται σύμφωνα με τους τοπικούς κανονισμούς.
6. Στρέψτε τον μοχλό της βαλβίδας αποστράγγισης προς τα δεξιά για να κλείσετε τη βαλβίδα αποστράγγισης.

ΚΟΥΜΠΙ ΕΠΑΝΑΦΟΡΑΣ

Όταν το ρεύμα που τροφοδοτεί τον κινητήρα του αεροσυμπιεστή υπερβαίνει την καθορισμένη μονάδα, ο αεροσυμπιεστής κλείνει αυτόματα.

Για επαναφορά του αεροσυμπιεστή:

1. Αφαιρέστε τη μπαταρία.
2. Απενεργοποιήστε το εργαλείο.
3. Περιμένετε τρία λεπτά να κρυώσει ο κινητήρας.
4. Πατήστε το κουμπί επανεκκίνησης.
5. Συνδέστε την μπαταρία με το προϊόν.
6. Ενεργοποιήστε το εργαλείο.

ΑΛΛΑΓΗ ΤΟΥ ΣΥΝΔΕΣΜΟΥ

Βλέπε σελίδα 199.

1. Βεβαιωθείτε ότι ο διακόπτης ενεργοποίησης/ απενεργοποίησης βρίσκεται στη θέση ANENERGO (O).
2. Αφαιρέστε τη μπαταρία.
3. Τραβήξτε τον δακτύλιο της βαλβίδας εκτόνωσης πίεσης μέχρι ο μετρητής πίεσης του δοχείου να δείχνει λιγότερο από 1,4 bar (20 PSI).
4. Απελευθερώστε τον δακτύλιο.
5. Χρησιμοποιώντας κλειδί, χαλαρώστε και αφαιρέστε τον σύνδεσμο στρέφοντας προς τα αριστερά.
6. Χρησιμοποιώντας κλειδί, τοποθετήστε νέο σύνδεσμο και σφίξτε δεξιόστροφα.

ΜΕΤΑΦΟΡΑ ΚΑΙ ΑΠΟΘΗΚΕΥΣΗ

Βλέπε σελίδα 200 - 201.

1. Βεβαιωθείτε ότι ο διακόπτης ενεργοποίησης/ απενεργοποίησης βρίσκεται στη θέση ANENERGO (O).
2. Αφαιρέστε τη μπαταρία.
3. Λειτουργήστε το εργαλείο αέρα για να εκτονώσετε την πίεση αέρα στον εύκαμπτο σωλήνα, και κατόπιν αφαιρέστε τον σωλήνα αέρα και το εργαλείο αέρα. Απελευθερώστε τον αέρα τραβώντας την βαλβίδα εκτόνωσης πίεσης.
4. Αποστραγγίστε το νερό από το δοχείο όπως περιγράφεται στην ενότητα "Αποστράγγιση του δοχείου αέρα".
5. Καθαρίστε το προϊόν με ένα στεγνό πανί.
6. Τυλίξτε τον σωλήνα αέρα γύρω από τους βραχίονες τύλιξης του εύκαμπτου σωλήνα.





- 7. Μεταφέρετε το προϊόν από τη λαβή μεταφοράς.
- 8. Αποθηκεύετε τον αεροσυμπιεστή στην κανονική θέση λειτουργίας σε στεγνό και προστατευμένο μέρος.

⚠ ΠΡΟΕΙΔΟΠΟΙΗΣΗ

Το νερό συμπυκνώνεται ως υγρασία στο δοχείο του αεροσυμπιεστή όταν ο συμπιεστής λειτουργεί. Νερό που μένει στο δοχείο μπορεί να ελαττώσει την στιβαρότητα του δοχείου και να προκαλέσει διάβρωση, αυξάνοντας τον κίνδυνο θραύσης του δοχείου.

⚠ ΠΡΟΕΙΔΟΠΟΙΗΣΗ

Πάντα αποσυνδέετε τον σωλήνα αέρα από τα εργαλεία οποτεδήποτε δεν χρησιμοποιείται ή στη διάρκεια του σέρβις. Στη διάρκεια της συντήρησης, ένα εργαλείο συνδεδεμένο στον σωλήνα αέρα μπορεί να λειτουργήσει κατά λάθος, προκαλώντας σοβαρό προσωπικό τραυματισμό!

⚠ ΠΡΟΕΙΔΟΠΟΙΗΣΗ

Αν δεν αφαιρέσετε την μπαταρία από τον αεροσυμπιεστή πριν την αποθήκευση, μπορεί ο συμπιεστής να λειτουργεί συνεχώς, προκαλώντας υπερθέρμανση, ζημιά στον συμπιεστή και πιθανόν πυρκαγιά.

ΣΥΝΤΗΡΗΣΗ

ΓΕΝΙΚΗ ΣΥΝΤΗΡΗΣΗ

- Αποφύγετε τη χρήση διαλυτών κατά τον καθαρισμό πλαστικών εξαρτημάτων. Τα περισσότερα πλαστικά είναι επιρρεπή σε φθορές από τους διάφορους τύπους διαλυτών που είναι διαθέσιμοι στο εμπόριο και μπορεί να καταστραφούν από τη χρήση τους. Χρησιμοποιήστε ένα καθαρό πανί για να αφαιρέσετε βρωμιά, σκόνη, λάδια, γράσο κ.λπ.
- Σε καμία περίπτωση μην επιτρέπετε τα υγρά φρένων, η βενζίνη, προϊόντα με βάση το πετρέλαιο, έλαια που διεισδύουν κλπ. να έρχονται σε επαφή με πλαστικά μέρη. Αυτά τα χημικά προϊόντα περιέχουν ουσίες οι οποίες μπορούν να προξενήσουν ζημιά, να μειώσουν ή να καταστρέψουν το πλαστικό.
- Πάντα εκτονώνετε όλη την πίεση, αφαιρείτε την μπαταρία, και αφήνετε το προϊόν να κρυώσει αρκετά ώστε να μπορείτε να το ακουμπήσετε πριν το καθάρισμα ή όταν εκτελείτε επισκευές του προϊόντος.
- Μην τροποποιήσετε το προϊόν με οποιονδήποτε τρόπο ή χρησιμοποιήσετε αξεσουάρ που δεν είναι εγκεκριμένα από τον κατασκευαστή. Η ασφάλεια σας και η ασφάλεια των άλλων μπορεί να υποβαθμιστεί.
- Μην χρησιμοποιείτε το προϊόν εάν υπάρχουν διακόπτες, προφυλακτήρες ή άλλες λειτουργίες που δεν λειτουργούν όπως θα έπρεπε. Επιστρέψτε το σε ένα εξουσιοδοτημένο κέντρο επισκευών για επαγγελματική επισκευή ή ρύθμιση.
- Πάντοτε να βεβαιώνετε ότι οι μπαταρίες έχουν αφαιρεθεί από το εργαλείο πριν εκτελεστούν ρυθμίσεις, λίπανση ή συντήρηση του εργαλείου.

- Πριν και μετά από κάθε χρήση, ελέγξτε το προϊόν για ζημιές ή χαλασμένα μέρη. Διατηρήστε το προϊόν σε άριστη κατάσταση λειτουργίας με την άμεση αντικατάσταση εξαρτημάτων με ανταλλακτικά εγκεκριμένα από τον κατασκευαστή.

⚠ ΠΡΟΕΙΔΟΠΟΙΗΣΗ

Για μεγαλύτερη ασφάλεια και αξιοπιστία, όλες οι επισκευές πρέπει να διεξάγονται από ένα εξουσιοδοτημένο κέντρο σέρβις.

ΠΡΟΣΤΑΣΙΑ ΤΟΥ ΠΕΡΙΒΑΛΛΟΝΤΟΣ



Ανακυκλώνετε τις πρώτες ύλες αντί να τις πετάτε ως απορρίμματα. Για την προστασία του περιβάλλοντος, πρέπει να γίνεται ι διαλογή του εργαλείου, των εξαρτημάτων και των συσκευασιών του.

ΣΥΜΒΟΛΑ ΣΤΟ ΠΡΟΪΟΝ



Προειδοποίηση ασφαλείας



Παρακαλούμε διαβάστε τις οδηγίες προσεκτικά πριν ξεκινήσετε το μηχάνημα.



Συμμόρφωση CE



EurAsian σήμα πιστότητας



Ουκρανικό σήμα συμμόρφωσης



Στις εργασίες με τη μηχανή φοράτε πάντοτε προστατευτικά γυαλιά.



Φοράτε ωτοασπίδες.



Για εσωτερική χρήση



Συναγερμός υγρής κατάστασης. Να μην εκτίθεται σε βροχή. Φυλάσσετε σε εσωτερικό χώρο.



Κίνδυνος αναπνοής. Ο αέρας που λαμβάνεται απευθείας από τον αεροσυμπιεστή δεν θα πρέπει ποτέ να χρησιμοποιείται για να παρέχει αέρα για χρήση από άνθρωπο.





Κίνδυνος έκρηξης. Μην προσαρμόζετε το ρυθμιστή με τρόπο ώστε να προκύπτει πίεση εξόδου μεγαλύτερη από την μέγιστη πίεση που επισημαίνεται για το προσάρτημα. Μην χρησιμοποιείτε με πίεση άνω των 10 bar.



Αυτός ο συμπιεστής μπορεί να ξεκινήσει χωρίς προειδοποίηση.

Κίνδυνος φωτιάς ή έκρηξης. Ο χώρος ψεκασμού πρέπει να έχει καλό εξαερισμό. Μην καπνίζετε ενώ ψεκάζετε και μην ψεκάζετε όπου υπάρχουν σπινθήρες ή φλόγες. Διατηρείτε τους συμπιεστές όσο γίνεται πιο μακριά από την περιοχή ψεκασμού. Διατηρείτε τον συμπιεστή σε απόσταση τουλάχιστον 10 m μακριά από την περιοχή ψεκασμού και όλες τις εκρηκτικές αναθυμιάσεις.



Ρυθμιζόμενη πίεση



Πίεση δοχείου



Τα ηλεκτρικά προϊόντα προς απόρριψη δεν θα πρέπει να απορρίπτονται μαζί με τα οικιακά απόβλητα. Παρακαλούμε ανακυκλώστε όπου υπάρχουν οι αντίστοιχες εγκαταστάσεις. Μιλήστε με τις τοπικές αρχές ή τον πωλητή για να σας ενημερώσουν σχετικά με τα προγράμματα ανακύκλωσης.

ΣΥΜΒΟΛΑ ΣΤΟ ΕΓΧΕΙΡΙΔΙΟ



Ανταλλακτικά και εξαρτήματα πωλούνται χωριστά



Σημείωση



Προειδοποίηση

Οι ακόλουθες προειδοποιητικές λέξεις και έννοιες προορίζονται να εξηγήσουν τα επίπεδα κινδύνου που συνδέονται με αυτό το προϊόν:

ΚΙΝΔΥΝΟΣ

Υποδεικνύει μια επικείμενη επικίνδυνη κατάσταση, η οποία, αν δεν αποφευχθεί, θα οδηγήσει σε θάνατο ή σοβαρό τραυματισμό.

ΠΡΟΕΙΔΟΠΟΙΗΣΗ

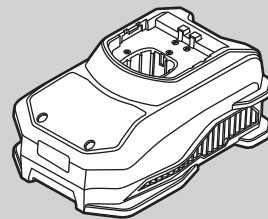
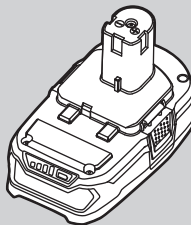
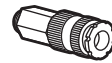
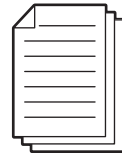
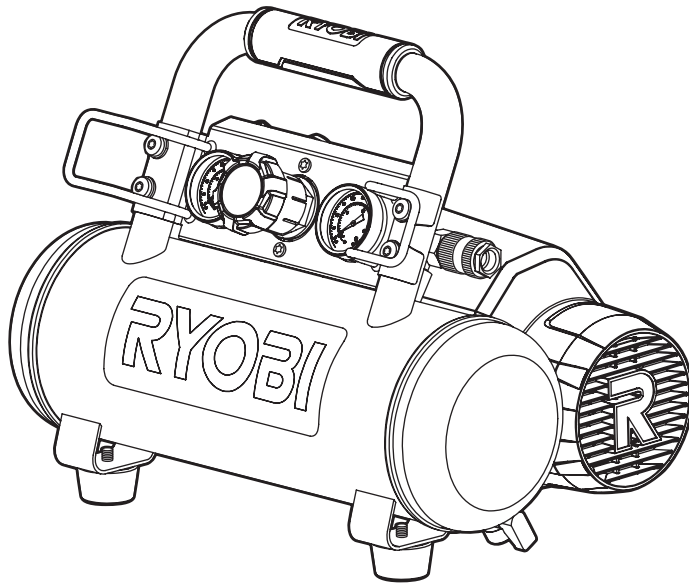
Υποδεικνύει μια δυνητικά επικίνδυνη κατάσταση, η οποία, αν δεν αποφευχθεί, θα οδηγήσει σε θάνατο ή σοβαρό τραυματισμό.

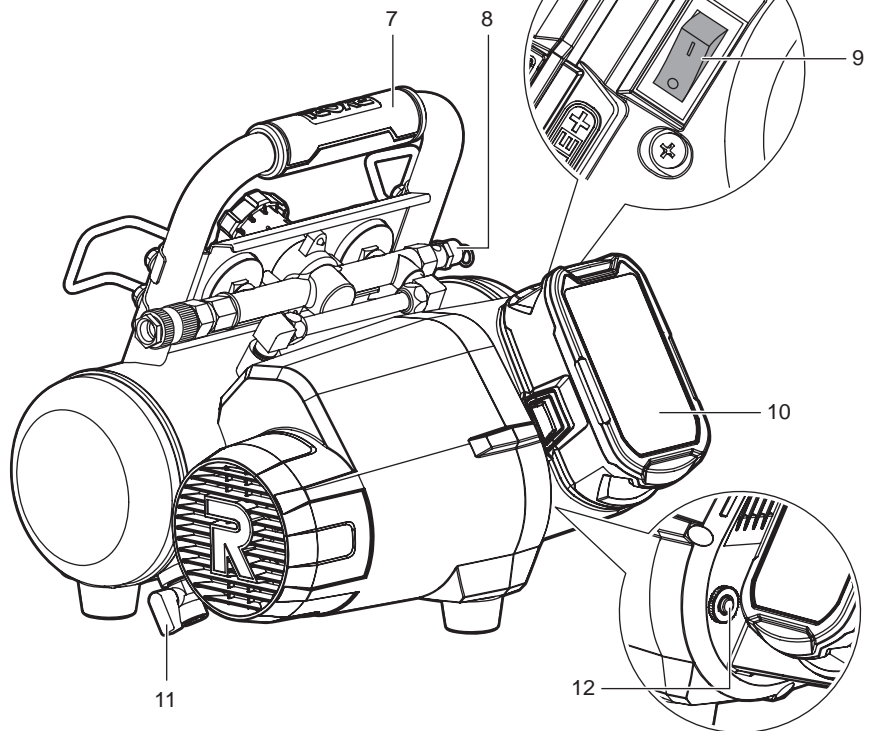
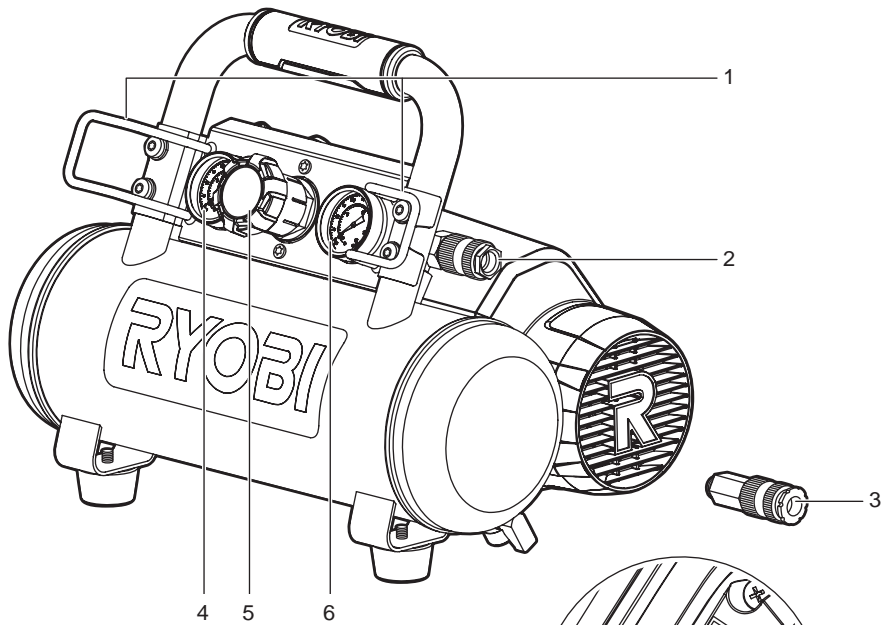
ΠΡΟΣΟΧΗ

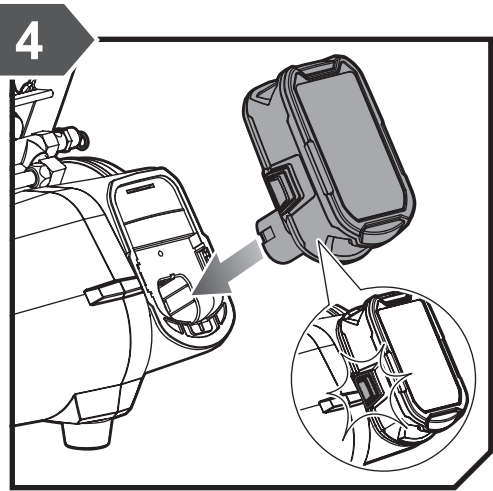
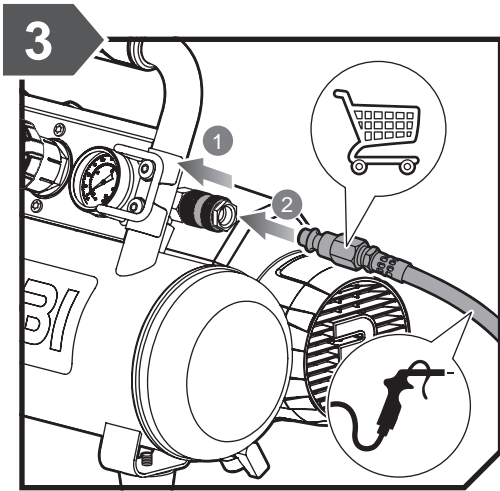
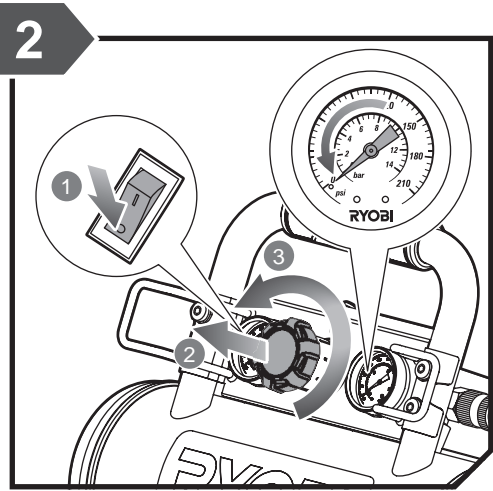
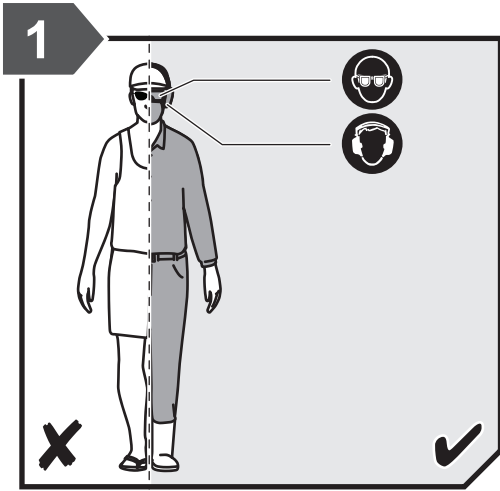
Υποδεικνύει μια δυνητικά επικίνδυνη κατάσταση, η οποία, αν δεν αποφευχθεί, ενδέχεται να οδηγήσει σε ελαφρύ ή μέτριο τραυματισμό.

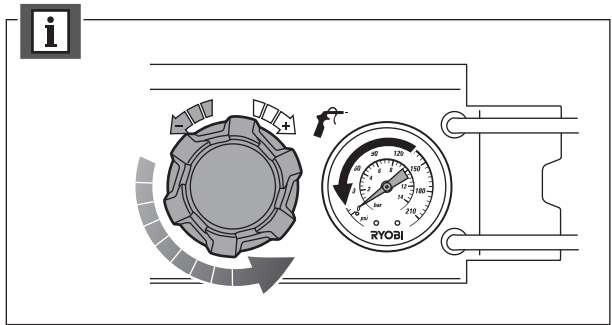
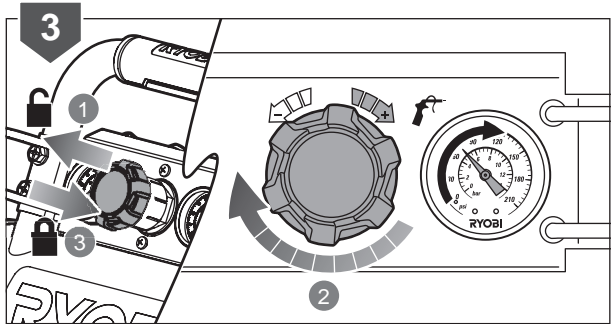
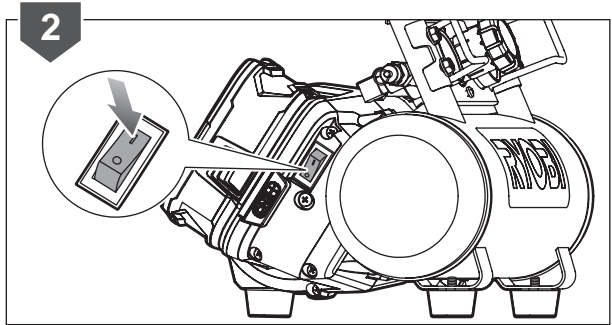
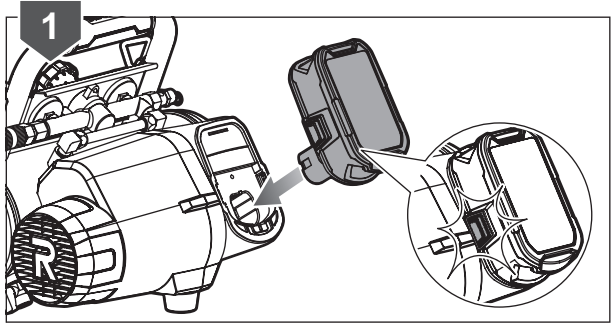
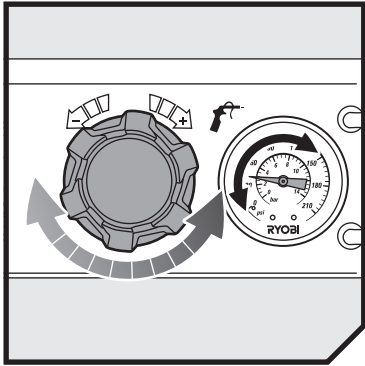
ΠΡΟΣΟΧΗ

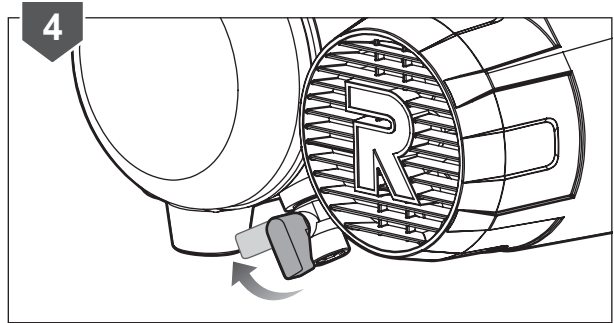
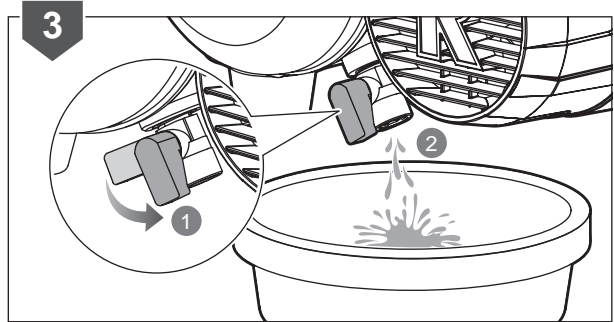
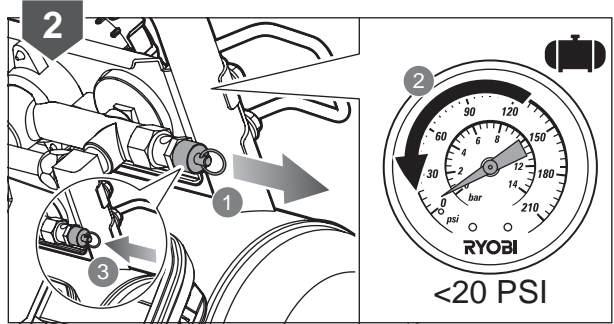
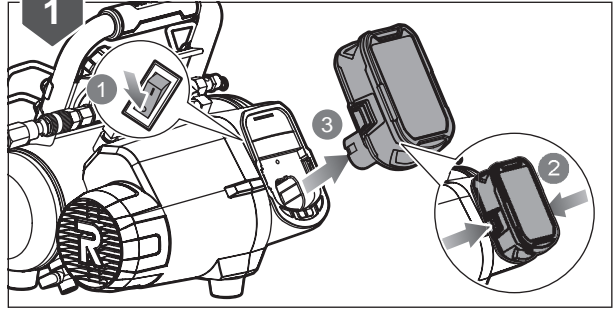
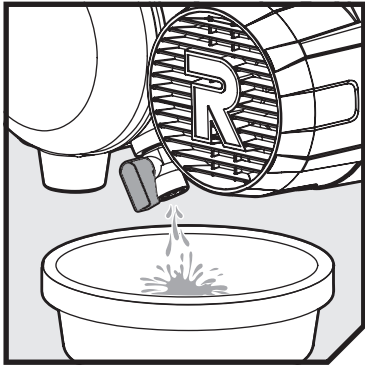
(Χωρίς προειδοποιητικό σύμβολο) Επισημαίνει μια κατάσταση που ενδέχεται να προκαλέσει υλικές ζημιές.

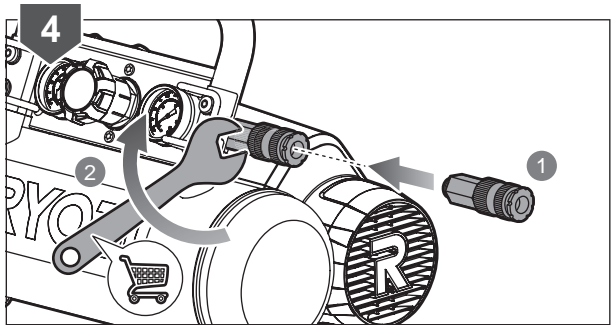
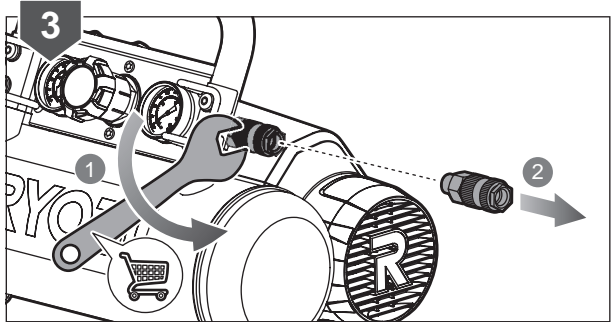
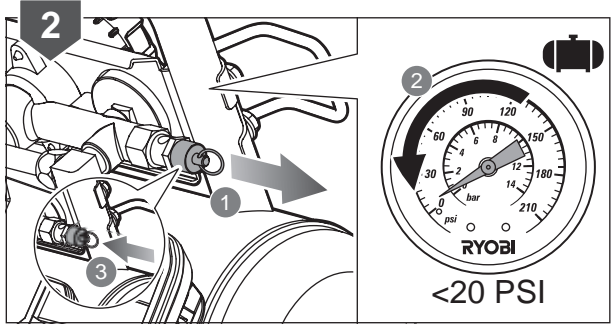
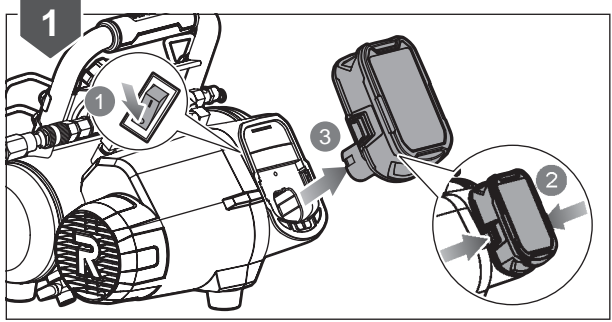
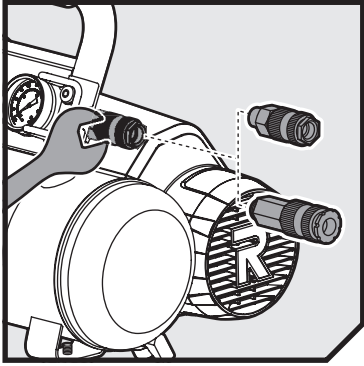


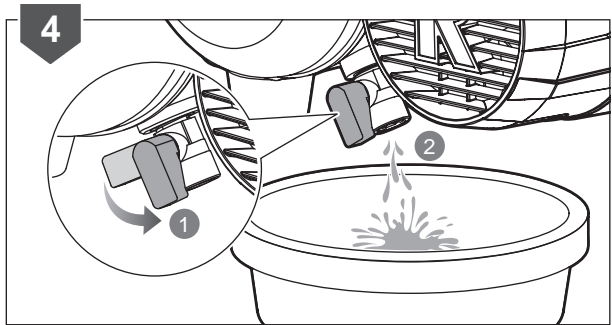
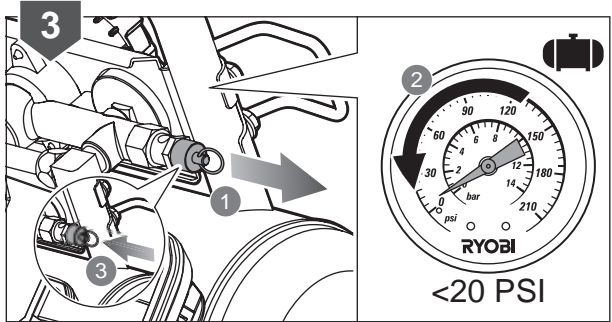
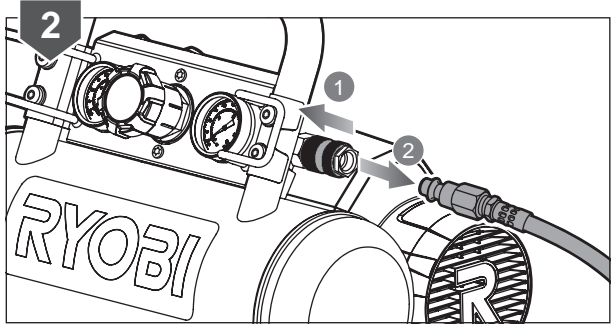
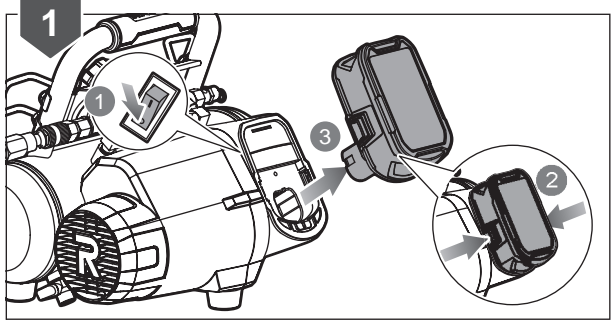
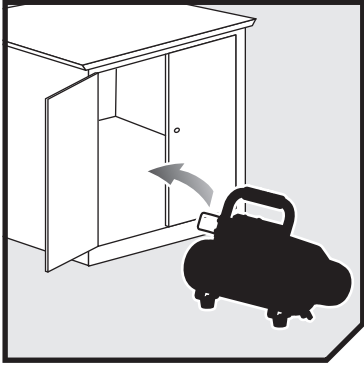


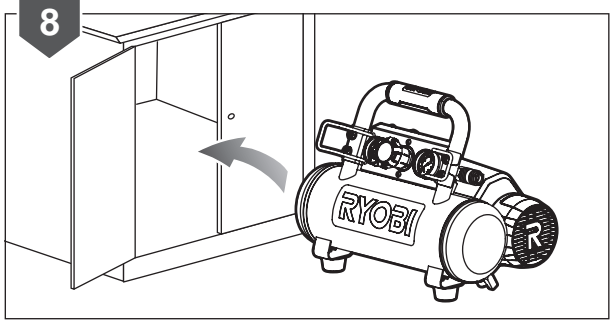
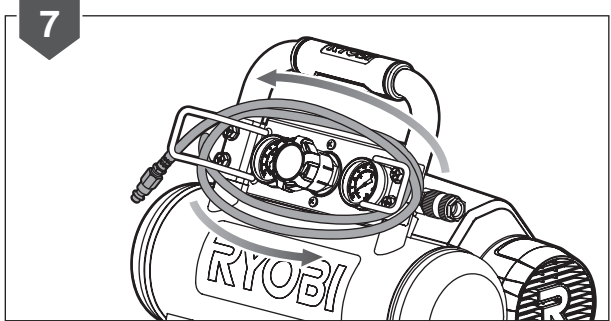
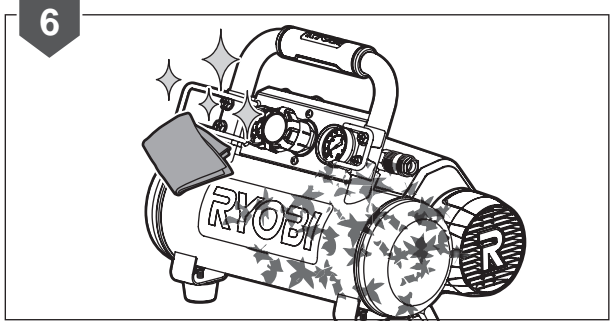
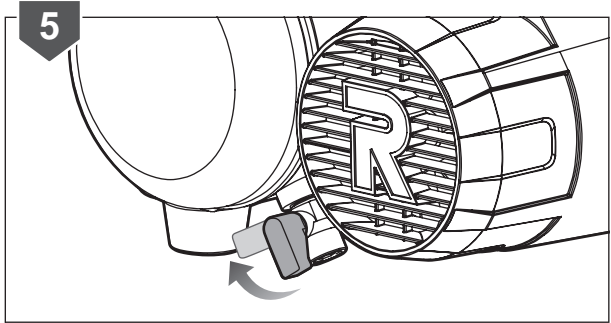












(EN) TROUBLESHOOTING

PROBLEM	POSSIBLE CAUSE	SOLUTION
Compressor will not run	<ol style="list-style-type: none">1. Battery pack is not charged2. Bad pressure switch3. Tank is full of air4. Internal overload switch is tripped	<ol style="list-style-type: none">1. Recharge the battery pack.2. Take product to service centre.3. Compressor will turn on when tank pressure drops to cut-in pressure.4. Turn off product and allow it to cool; remove and reinstall battery packs.
Motor hums but cannot run or runs slowly	<ol style="list-style-type: none">1. Shorted or open motor winding2. Defective check valve or unloader	<ol style="list-style-type: none">1. Take product to service centre.2. Take product to service centre.
Internal overload switch trips repeatedly	<ol style="list-style-type: none">1. Lack of proper ventilation / room temperature too high2. Electrical overload	<ol style="list-style-type: none">1. Move product to well ventilated area.2. Turn off product and allow to cool; remove and reinstall battery pack.
Air tank pressure drops when compressor shuts off	<ol style="list-style-type: none">1. Loose connections (fittings, tubing, etc.)2. Loose drain valve / open drain valve3. Check valve leaking	<ol style="list-style-type: none">1. Check all connections with soap and water solution and tighten.2. Tighten drain valve / close drain valve.3. Take product to service centre.
⚠ DANGER		
Do not disassemble check valve, tank drain valve or safety relief valve with air in tank. Release the air from the air tank.		
Excessive moisture in discharge air	<ol style="list-style-type: none">1. Excessive water in air tank2. High humidity	<ol style="list-style-type: none">1. Drain the air tank.2. Move to area of less humidity; use air line filter.
Compressor runs continuously	<ol style="list-style-type: none">1. Defective pressure switch2. Excessive air usage3. Piston rings are worn	<ol style="list-style-type: none">1. Take product to service centre.2. Decrease air usage; compressor not large enough for tool's requirement.3. Replace piston rings; call customer service for assistance.
Air output lower than normal	<ol style="list-style-type: none">1. Broken inlet valves2. Connections leaking	<ol style="list-style-type: none">1. Take product to service centre2. Tighten connections.



(FR) GUIDE DE DÉPANNAGE

Problème	Cause possible	Solution
Le compresseur ne fonctionne pas.	<ol style="list-style-type: none"> 1. La batterie est déchargée. 2. Interrupteur de pression défaillant. 3. Le réservoir est plein d'air. 4. L'interrupteur de surcharge interne s'est déclenché. 	<ol style="list-style-type: none"> 1. Recharger le bloc-batteries. 2. Amenez le produit dans un centre d'entretien. 3. Le compresseur démarre quand la pression du réservoir descend à la pression d'amorçage. 4. Éteignez le produit et laissez-le refroidir ; retirez et réinstallez les blocs-batteries.
Le moteur bourdonne mais ne tourne pas ou tourne lentement.	<ol style="list-style-type: none"> 1. Enroulement moteur ouvert ou en court circuit. 2. Clapet ou soupape de décharge défectueux. 	<ol style="list-style-type: none"> 1. Amenez le produit dans un centre d'entretien. 2. Amenez le produit dans un centre d'entretien.
L'interrupteur de surcharge interne s'enclenche de manière répétée.	<ol style="list-style-type: none"> 1. Ventilation non adéquate/température de la pièce trop élevée. 2. Surcharge électrique. 	<ol style="list-style-type: none"> 1. Déplacez le produit dans un endroit bien ventilé. 2. Éteignez le produit et laissez-le refroidir ; retirez et réinstallez le bloc-batteries.
La pression du réservoir d'air chute quand le compresseur s'arrête.	<ol style="list-style-type: none"> 1. Mauvaises connexions (raccords, tuyauterie, etc.) 2. Robinet de purge desserré/ouvert. 3. Vérifiez les éventuelles fuites de soupape. 	<ol style="list-style-type: none"> 1. Vérifiez tous les raccords à l'aide d'eau savonneuse et serrez. 2. Serrez le robinet de purge/fermez le robinet de purge. 3. Amenez le produit dans un centre d'entretien.
<div style="background-color: #333; color: white; padding: 5px; display: inline-block;">⚠ DANGER</div>		
<p>Ne pas démonter les soupapes de vérification, d'évacuation du réservoir ou la soupape de sécurité avec de l'air dans le réservoir. Laisser échapper l'air du réservoir d'air.</p>		
Humidité excessive de l'air évacué.	<ol style="list-style-type: none"> 1. Humidité excessive dans le réservoir. 2. Humidité importante. 	<ol style="list-style-type: none"> 1. Vidangez le réservoir d'air 2. Déplacez-vous vers un endroit moins humide; utilisez un filtre à d'air.
Le compresseur fonctionne sans arrêt.	<ol style="list-style-type: none"> 1. Pressostat défectueux. 2. Utilisation excessive de l'air. 3. Les segments de piston sont usés. 	<ol style="list-style-type: none"> 1. Amenez le produit dans un centre d'entretien. 2. Diminuez l'utilisation de l'air ; le compresseur n'est pas assez puissant pour les besoins de l'outil. 3. Remplacez les segments; appelez le service clientèle pour obtenir de l'aide.
Flux d'air en sortie inférieur à la normale.	<ol style="list-style-type: none"> 1. Soupapes d'admission cassées. 2. Fuites aux raccords. 	<ol style="list-style-type: none"> 1. Amenez le produit dans un centre d'entretien. 2. Serrez les raccords.



(DE) FEHLERBEHEBUNG

Problem	Möglicher Grund	Lösung
Der Druckluftkompressor läuft nicht.	<ol style="list-style-type: none">1. Akku ist nicht geladen.2. Fehler beim Druckschalter.3. Tank ist voll Luft.4. Der interne Überlastungsschalter wurde ausgelöst.	<ol style="list-style-type: none">1. Laden Sie den Akku auf.2. Bringen Sie das Gerät zum Servicecenter.3. Der Druckluftkompressor schaltet sich ein, wenn der Tankdruck auf den Einschaltdruck fällt.4. Schalten Sie das Gerät aus und lassen Sie es abkühlen; entfernen Sie den Akku und setzen Sie ihn erneut ein.
Motor brummt, aber läuft nicht oder läuft nur langsam.	<ol style="list-style-type: none">1. Kurzgeschlossene oder offene Motorwicklung.2. Defektes Rückschlagventil oder Entlastungsventil.	<ol style="list-style-type: none">1. Bringen Sie das Gerät zum Servicecenter.2. Bringen Sie das Gerät zum Servicecenter.
Der interne Überlastungsschalter wird mehrfach ausgelöst.	<ol style="list-style-type: none">1. Zu wenig Belüftung/Zimmertemperatur zu hoch.2. Elektrische Überlastung.	<ol style="list-style-type: none">1. Bringen Sie das Gerät in einen gut belüfteten Bereich.2. Schalten Sie das Gerät aus und lassen Sie es abkühlen; entfernen Sie den Akku und setzen Sie ihn erneut ein.
Der Druck im Lufttank fällt, wenn sich der Druckluftkompressor ausschaltet.	<ol style="list-style-type: none">1. Lockere Verbindungen (Beschläge, Röhre usw.)2. Lockeres Ablassventil/offenes Ablassventil.3. Überprüfen Sie auf undichtes Ventil.	<ol style="list-style-type: none">1. Überprüfen Sie alle Verbindungen mit Seifenwasser und ziehen Sie sie fest.2. Ziehen Sie das Ablassventil fest/schließen Sie das Ablassventil.3. Bringen Sie das Gerät zum Servicecenter.
<div style="border: 1px solid black; padding: 5px;"><p>⚠ GEFAHR</p><p>Demontieren Sie das Absperrventil, die Ablassventile des Tanks und das Sicherheitsventil nicht, während sich Luft im Tank befindet. Lassen Sie die Luft aus dem Tank ab.</p></div>		
Übermäßige Feuchtigkeit in der Abluft.	<ol style="list-style-type: none">1. Übermäßiges Wasser in dem Lufttank.2. Hohe Feuchtigkeit.	<ol style="list-style-type: none">1. Entleeren Sie den Lufttank.2. Begeben Sie sich in einen weniger feuchten Bereich; benutzen Sie einen In-Line-Filter.
Der Druckluftkompressor läuft kontinuierlich.	<ol style="list-style-type: none">1. Defekter Druckschalter.2. Übermäßiger Luftverbrauch.3. Kolbenringe sind abgenutzt.	<ol style="list-style-type: none">1. Bringen Sie das Gerät zum Servicecenter.2. Verringern Sie den Luftverbrauch; der Druckluftkompressor ist nicht stark genug für die Anforderungen des Werkzeugs.3. Ersetzen Sie die Kolbenringe; ziehen Sie den Kundendienst zu Rate.
Luftleistung niedriger als normal.	<ol style="list-style-type: none">1. Beschädigte Einlassventile.2. Verbindung ist undicht.	<ol style="list-style-type: none">1. Bringen Sie das Gerät zum Servicecenter.2. Ziehen Sie die Verbindungen fest.

(ES) RESOLUCIÓN DE PROBLEMAS

Problema	Posible causa	Solución
El compresor no funcionará.	<ol style="list-style-type: none">1. La batería no está cargada.2. Presostato defectuoso.3. El depósito está lleno de aire.4. El interruptor interno de sobrecarga se ha activado.	<ol style="list-style-type: none">1. Recargue la batería.2. Lleve el producto al centro de servicio.3. El compresor se encenderá cuando la presión del depósito disminuya hasta alcanzar la presión de corte.4. Apague el producto y deje que se enfríe; retire y vuelva a instalar las baterías.
El motor hace ruido pero no funciona o funciona lentamente.	<ol style="list-style-type: none">1. Devanado del motor abierto o cortocircuitado.2. Descargador o válvula de retención defectuosos.	<ol style="list-style-type: none">1. Lleve el producto al centro de servicio.2. Lleve el producto al centro de servicio.
El interruptor interno de sobrecarga se activa de forma repetida.	<ol style="list-style-type: none">1. Falta de ventilación adecuada/ temperatura ambiente demasiado alta.2. Sobrecarga eléctrica.	<ol style="list-style-type: none">1. Desplace el producto hasta una zona bien ventilada.2. Apague el producto y deje que se enfríe; retire y vuelva a instalar la batería.
La presión del depósito de aire desciende cuando el compresor se apaga.	<ol style="list-style-type: none">1. Conexiones flojas (accesorios, tubería, etc.)2. Válvula de drenaje suelta/válvula de drenaje abierta.3. Compruebe que la válvula no tenga fugas.	<ol style="list-style-type: none">1. Limpie todas las conexiones con una solución de agua y jabón y apriételas.2. Apriete la válvula de drenaje/cierre la válvula de drenaje.3. Lleve el producto al centro de servicio.
<div style="border: 1px solid black; padding: 5px;"><p>⚠ PELIGRO</p><p>No desmonte la válvula de retención, la válvula de drenaje del depósito o la válvula de descarga de seguridad con aire en el depósito. Libere el aire del depósito de aire.</p></div>		
Humedad excesiva en el aire de descarga.	<ol style="list-style-type: none">1. Exceso de agua en el depósito de aire.2. Alta humedad.	<ol style="list-style-type: none">1. Drene el depósito de aire.2. Mueva la unidad a una zona de menor humedad; utilice el filtro de línea de aire.
El compresor funciona de forma continuada.	<ol style="list-style-type: none">1. Interruptor de presión defectuoso.2. Uso excesivo de aire.3. Los anillos de pistón están desgastados.	<ol style="list-style-type: none">1. Lleve el producto al centro de servicio.2. Reduzca el consumo de aire; el compresor no es lo suficientemente grande para las necesidades de la herramienta.3. Reemplace los anillos del pistón; llame al servicio de atención al cliente para solicitar ayuda.
Salida de aire inferior al nivel normal.	<ol style="list-style-type: none">1. Válvulas de entrada rotas.2. Conexiones con fugas.	<ol style="list-style-type: none">1. Lleve el producto al centro de servicio.2. Apriete las conexiones.

(IT) RISOLUZIONE DEI PROBLEMI

Problema	Possibile causa	Solución
Il compressore non entrerà in funzione.	<ol style="list-style-type: none">1. La batteria non è carica.2. Interruttore di pressione guasto.3. Il serbatoio è pieno d'aria.4. L'interruttore di sovraccarico interno è azionato.	<ol style="list-style-type: none">1. Ricaricare il pacco batterie.2. Portare il prodotto al centro di assistenza.3. Il compressore si avvierà quando la pressione del serbatoio calerà fino al valore della pressione di inserimento.4. Spegnerne il prodotto e lasciarlo raffreddare; rimuovere e reinstallare i pacchi batterie.
Il motore ronza ma non gira oppure gira lentamente.	<ol style="list-style-type: none">1. Cortocircuito o ingolfamento del motore.2. Valvola di controllo o dispositivo di scarico difettoso.	<ol style="list-style-type: none">1. Portare il prodotto al centro di assistenza.2. Portare il prodotto al centro di assistenza.
L'interruttore di sovraccarico interno scatta ripetutamente.	<ol style="list-style-type: none">1. Mancanza di ventilazione adeguata/ temperatura ambiente troppo alta.2. Sovraccarico elettrico.	<ol style="list-style-type: none">1. Spostare il prodotto in un'area ben ventilata.2. Spegnerne il prodotto e lasciarlo raffreddare; rimuovere e reinstallare il pacco batterie.
La pressione del serbatoio dell'aria cala quando il compressore si spegne.	<ol style="list-style-type: none">1. Collegamenti allentati (raccordi, tubi, ecc.)2. Valvola di scolo allentata/valvola di scolo aperta3. Controllare che non vi siano eventuali perdite dalla valvola.	<ol style="list-style-type: none">1. Controllare tutte le connessioni con una soluzione a base di acqua e sapone e serrare.2. Serrare la valvola di scolo/chiedere la valvola di scolo.3. Portare il prodotto al centro di assistenza.
<div style="border: 1px solid black; padding: 5px;"><p style="text-align: center;">⚠ PERICOLO</p><p>Non smontare la valvola di controllo, la valvola di scarico del serbatoio oppure la valvola di sicurezza quando è presente dell'aria nel serbatoio. Rilasciare l'aria presente nel serbatoio dell'aria.</p></div>		
Umidità in eccesso nell'aria in uscita.	<ol style="list-style-type: none">1. Acqua in eccesso nel serbatoio dell'aria.2. Alta umidità.	<ol style="list-style-type: none">1. Far fuoriuscire l'aria dal serbatoio.2. Spostare in una zona con meno umidità; utilizzare il filtro dell'aria.
Il compressore funziona ininterrottamente.	<ol style="list-style-type: none">1. Interruttore di pressione difettoso.2. Utilizzo eccessivo dell'aria.3. le guarnizioni dei pistoni sono consumate.	<ol style="list-style-type: none">1. Portare il prodotto al centro di assistenza.2. Ridurre l'uso dell'aria; il compressore non è grande abbastanza per i requisiti dello strumento.3. Sostituire gli anelli dei pistoni; chiamare il servizio clienti per avere assistenza.
Flusso dell'aria inferiore al normale.	<ol style="list-style-type: none">1. Valvole di ingresso rotte.2. I tubi perdono.	<ol style="list-style-type: none">1. Portare il prodotto al centro di assistenza.2. Serrare le connessioni.

(NL) PROBLEMEN OPLOSSEN

Probleem	Mogelijke oorzaak	Oplossing
De compressor zal niet werken.	<ol style="list-style-type: none">1. Batterij is niet opgeladen.2. Slechte drukschakelaar.3. Tank is vol met lucht.4. Interne overbelastingsschakelaar is geactiveerd.	<ol style="list-style-type: none">1. Laad het batterijpak op.2. Breng het product naar het servicecentrum.3. De compressor zal inschakelen wanneer de tankdruk daalt tot de inschakeldruk.4. Schakel het product uit en laat het afkoelen. Verwijder en installeer batterijpakken opnieuw.
Motor ronkt maar kan niet draaien of draait langzaam.	<ol style="list-style-type: none">1. Kortgesloten of open motor draaien.2. Defect controleer de klep of losser.	<ol style="list-style-type: none">1. Breng het product naar het servicecentrum.2. Breng het product naar het servicecentrum.
Interne overbelastingsschakelaar wordt herhaaldelijk geactiveerd.	<ol style="list-style-type: none">1. Onvoldoende goed ventilatie/ kamertemperatuur is te hoog.2. Elektrische overbelasting.	<ol style="list-style-type: none">1. Breng het product over naar een goed geventileerde zone.2. Schakel het product uit en laat het afkoelen. Verwijder en installeer het batterijpak opnieuw.
De druk in de lucht tank daalt wanneer de compressor uitschakelt.	<ol style="list-style-type: none">1. Losse verbindingen (fittingen, bekabeling, etc.)2. Losse aflatklep/open aflatklep.3. Controleer of de klep lekt.	<ol style="list-style-type: none">1. Controleer alle verbindingen met een zeep en water oplossing en maak vast.2. Maak de aflatklep vast/sluit aflatklep.3. Breng het product naar het servicecentrum.
<div style="border: 1px solid black; padding: 5px; display: inline-block;">⚠ GEVAAR Demonteer de controleklep, afvoerklep of veiligheidsklep van de tank niet met lucht in de tank. Laat de lucht uit de lucht tank.</div>		
Teveel vocht in uitlaat lucht.	<ol style="list-style-type: none">1. Teveel water in lucht tank.2. Hoge vochtigheid.	<ol style="list-style-type: none">1. Tap de lucht tank af.2. Plaats op een minder vochtige plaats; gebruik de lucht lijnfilter.
De compressor werkt continu.	<ol style="list-style-type: none">1. Defecte drukschakelaar.2. Te hoog lucht gebruik.3. Zuigerveren zijn versleten.	<ol style="list-style-type: none">1. Breng het product naar het servicecentrum.2. Verminder het lucht gebruik, de compressor is niet groot genoeg voor de vereisten van het gereedschap.3. Vervang de zuigerveren; bel de klantendienst voor hulp.
Lucht output lager dan normaal.	<ol style="list-style-type: none">1. Gebroken inlaatkleppen.2. Verbindingen lekken.	<ol style="list-style-type: none">1. Breng het product naar het servicecentrum.2. Maak de verbindingen vast.



(PT) RESOLUÇÃO DE PROBLEMAS

Problema	Possível causa	Solução
O compressor não funciona.	<ol style="list-style-type: none"> 1. A bateria não está carregada. 2. Interruptor de pressão avariado. 3. O depósito está cheio de ar. 4. O interruptor de sobrecarga interno dispara. 	<ol style="list-style-type: none"> 1. Recarregue a bateria. 2. Transporte o produto para um centro de assistência. 3. O compressor não liga quando a pressão no depósito cair abaixo da pressão definida. 4. Desligue o produto e permita que arrefeça; retire e instale novamente a bateria.
O motor faz ruído mas não funciona ou funciona lentamente.	<ol style="list-style-type: none"> 1. Bobinagem do motor aberto ou em curto-circuito. 2. Válvula de verificação ou descarregador com defeito. 	<ol style="list-style-type: none"> 1. Transporte o produto para um centro de assistência. 2. Transporte o produto para um centro de assistência.
O interruptor de sobrecarga interno dispara repetidamente.	<ol style="list-style-type: none"> 1. Falta de ventilação adequada/ temperatura ambiente demasiado alta. 2. Sobrecarga elétrica. 	<ol style="list-style-type: none"> 1. Desloque o produto para uma zona bem ventilada. 2. Desligue o produto e permita que arrefeça; retire e instale novamente a bateria.
A pressão no depósito do ar cai ao desligar o compressor.	<ol style="list-style-type: none"> 1. Ligações frouxas (acessórios, tubagens, etc.) 2. Válvula de drenagem solta/válvula de drenagem aberta. 3. Verifique se há fugas nas válvulas. 	<ol style="list-style-type: none"> 1. Verifique todas as ligações com água e sabão e aperte. 2. Aperte a válvula de drenagem/feche a válvula de drenagem. 3. Transporte o produto para um centro de assistência.
<div style="border: 1px solid black; padding: 5px; width: fit-content; margin: 0 auto;"> <p style="text-align: center;">⚠ PERIGO</p> <p>Não desmonte a válvula de retenção, a válvula de drenagem do depósito ou a válvula de descompressão de segurança com ar presente no depósito. Liberte o ar do depósito de ar.</p> </div>		
Humidade em excesso no ar de descarga.	<ol style="list-style-type: none"> 1. Água em excesso no tanque de ar. 2. Elevada humidade. 	<ol style="list-style-type: none"> 1. Drene o depósito do ar. 2. Mova a unidade para uma zona de menor humidade; utilize o filtro de linha de ar.
O compressor funciona continuamente.	<ol style="list-style-type: none"> 1. Interruptor de pressão com defeito. 2. Utilização de ar em excesso. 3. Os anéis de pistão estão desgastados. 	<ol style="list-style-type: none"> 1. Transporte o produto para um centro de assistência. 2. Reduza a utilizar de ar; o compressor não possui capacidade suficiente para as necessidades da ferramenta. 3. Substitua os anéis do pistão; chame o serviço de assistência ao cliente para solicitar ajuda.
Saída de ar mais fraca que o normal.	<ol style="list-style-type: none"> 1. Válvulas de admissão avariadas. 2. Fuga nas ligações. 	<ol style="list-style-type: none"> 1. Transporte o produto para um centro de assistência. 2. Aperte as ligações.



(DA) FEJLFINDING

Problem	Mulig årsag	Løsning
Kompressoren kører ikke.	<ol style="list-style-type: none">1. Batteriet er ikke opladet.2. Dårlig trykkontakt.3. Tank er fuld af luft.4. Den interne overbelastningsafbryder er udløst.	<ol style="list-style-type: none">1. Genoplad batteripakken.2. Bring produktet til et servicecenter.3. Kompressoren tændes, når tanktrykket falder til starttrykket.4. Sluk for produktet og lad det køle af; fjern og geninstaller batteripakken.
Motor brummer, men vil ikke starte eller kører kun langsomt.	<ol style="list-style-type: none">1. Kortslettet eller åben motorvikling.2. Defekt kontraventil eller aflader.	<ol style="list-style-type: none">1. Bring produktet til et servicecenter.2. Bring produktet til et servicecenter.
Den interne overbelastningsafbryder aktiveres gentagne gange.	<ol style="list-style-type: none">1. Mangel på ordentlig ventilation/ rumtemperatur for høj.2. Elektrisk overbelastning.	<ol style="list-style-type: none">1. Flyt produktet til godt ventileret område.2. Sluk for produktet og lad det køle af; fjern og geninstaller batteripakken.
Trykluftrykket falder, når kompressoren slukker.	<ol style="list-style-type: none">1. Løse forbindelser (fittings, rørledninger, osv.)2. Løs aftapningsventil/åben aftapningsventil. Kontrollér for ventillækage.	<ol style="list-style-type: none">1. Kontrollér alle tilslutninger med en sæbe- og vandopløsning, og spænd efter.2. Fastspænd aftapningsventil/luk aftapningsventil.3. Bring produktet til et servicecenter.
<div style="border: 1px solid black; padding: 5px;"><p style="text-align: center;">⚠ FARE</p><p>Afmonter ikke kontraventiltilen, tankens udløbsventil eller sikkerhedsaflastningsventilen med luft i tanken. Udled luften fra lufttanken.</p></div>		
For meget fugt i den leverede luft.	<ol style="list-style-type: none">1. For meget vand i lufttanken.2. Høj luftfugtighed.	<ol style="list-style-type: none">1. Tøm lufttanken2. Flyt til et område med mindre fugtighed; brug luftledningsfilter.
Kompressoren kører kontinuerligt.	<ol style="list-style-type: none">1. Defekt pressostat.2. For stort luftforbrug.3. Stempelringe er slidte.	<ol style="list-style-type: none">1. Bring produktet til et servicecenter.2. Reducere luftforbruget; kompressor er ikke stor nok til at opfylde værktøjets krav.3. Udskift stempelringe; tilkald kundeservice for assistance.
Lufteffekt lavere end normalt.	<ol style="list-style-type: none">1. Defekte indgangsventiler.2. Tilslutninger lækker.	<ol style="list-style-type: none">1. Bring produktet til et servicecenter.2. Fastspænd tilslutninger.

(SV) FELSÖKNING

Problem	Möjlig orsak	Lösning
Kompressorn startar inte.	<ol style="list-style-type: none">1. Batteriet är inte laddat.2. Dålig tryckbrytare.3. Tanken är full med luft.4. Intern överbelastningsbrytare är utlöst.	<ol style="list-style-type: none">1. Återladda batteripaketet.2. Ta produkten till ett servicecenter.3. Kompressorn startar är tanktrycket sjunker till inskärningstrycket.4. Stäng av produkten och låt den svalna, ta bort och återinstallera batteripaketet.
Motorn låter men kan inte köra eller körs långsamt.	<ol style="list-style-type: none">1. Kortsloten eller öppen motorledning.2. Defekt backventil eller utsläppsventil.	<ol style="list-style-type: none">1. Ta produkten till ett servicecenter.2. Ta produkten till ett servicecenter.
Intern överbelastningsbrytare utlöses om och om igen.	<ol style="list-style-type: none">1. För lite ventilation/rumstemperaturen är för hög.2. Elektrisk överbelastning.	<ol style="list-style-type: none">1. Flytta produkten till en välventilerad plats.2. Stäng av produkten och låt den svalna, ta bort och återinstallera batteripaketet.
Lufttankens trycker sjunker när kompressorn stängs av.	<ol style="list-style-type: none">1. Kopplingar är lösa (anslutningar, rör, etc.)2. Lös/öppen dräneringsventil. Kontroller om ventiler läcker.	<ol style="list-style-type: none">1. Kontrollera tätheten hos alla kopplingar med såpvatten och dra åt.2. Dra åt/stäng dräneringsventil.3. Ta produkten till ett servicecenter.
<div style="border: 1px solid black; padding: 5px;"><p style="text-align: center;">⚠ FARA</p><p>Montera inte loss backventilen, tankens dräneringsventil eller säkerhetsavlastningsventilen med luft i lufttanken. Släpp ut luften i lufttanken.</p></div>		
För mycket fukt i den utmatade luften.	<ol style="list-style-type: none">1. För mycket vatten i lufttanken.2. Hög luftfuktighet.	<ol style="list-style-type: none">1. Töm lufttanken.2. Flytta till ett område med lägre luftfuktighet; använd tryckluftfilter.
Kompressorn körs kontinuerligt.	<ol style="list-style-type: none">1. Defekt tryckbrytare.2. För stor luftanvändning.3. Kolringarna är slitna.	<ol style="list-style-type: none">1. Ta produkten till ett servicecenter.2. Minska luftanvändningen, kompressorn är inte tillräckligt stor för verktyget.3. Byt ut kolringar; ring kundtjänst för assistans.
Luftutblås är lägre än normalt.	<ol style="list-style-type: none">1. Trasiga intagsventiler.2. Kopplingarna läcker.	<ol style="list-style-type: none">1. Ta produkten till ett servicecenter.2. Dra åt kopplingarna.

(FI) VIANKORJAUS

Ongelma	Mahdollinen syy	Ratkaisu
Kompressori ei toimi.	1. Akku ei ole latautunut. 2. Viallinen painekeytkin. 3. Säiliö on täynnä ilmaa. 4. Sisäinen ylikuormituskytkin lauennut.	1. Lataa akkupakkaus uudelleen. 2. Vie laite huoltoon. 3. Kompressori käynnistyy, kun säiliöpaine putoaa paineen alentamiseksi. 4. Sammuta laite ja anna sen jäähtyä; poista akkupakkaukset ja asenna ne uudelleen.
Moottori hyrisee mutta ei käy tai käy hitaasti.	1. Oikosulussa oleva tai avoin moottorin käämi. 2. Viallinen takaiskuventtiili tai purkain.	1. Vie laite huoltoon. 2. Vie laite huoltoon.
Sisäinen ylikuormituksen kytkin laukeaa toistuvasti.	1. Puutteellinen tuuletus/huoneen lämpötila liian korkea. 2. Sähköinen ylikuormitus.	1. Siirrä laite hyvin ilmastoituun tilaan. 2. Sammuta laite ja anna sen jäähtyä; poista akkupakkaus ja asenna se uudelleen.
Ilmasäiliön paine putoaa, kun kompressori sammuu.	1. Löysät liitännät (liitokset, putket tms.) 2. Löysä tyhjennysventtiili/avoin tyhjennysventtiili. 3. Tarkista, vuotaako venttiili.	1. Tarkista kaikki liitännät saippuavedellä ja kiristä. 2. Kiristä tyhjennysventtiili/sulje tyhjennysventtiili. 3. Vie laite huoltoon.
		⚠ VAARA Älä pura sulkuventtiiliä, säiliön tyhjennysventtiiliä tai varoventtiiliä silloin kun säiliössä on ilmaa. Vapauta ilma säiliöstä.
Liikaa kosteutta poistoilmassa.	1. Liikaa vettä ilmasäiliössä. 2. Suuri kosteus.	1. Tyhjennä ilmasäiliö. 2. Siirrä kuivempaan tilaan; käytä ilmaletkun suodatinta.
Kompressori käy keskeytyksellä.	1. Viallinen painekeytkin. 2. Liian suuri ilmankulutus. 3. Männänrenkaat ovat kuluneet.	1. Vie laite huoltoon. 2. Vähennä ilman käyttöä; kompressori ei ole tarpeeksi suuri työkalun vaatimuksiin. 3. Vaihda männänrenkaat; soita asiakaspalveluun, jos tarvitset apua.
Paineilman tuotto on normaalia vähäisempi.	1. Rikkoutuneet ottoventtiilit. 2. Liitokset vuotavat.	1. Vie laite huoltoon. 2. Kiristä liitokset.

(NO) FEILSØKING

Problem	Mulig årsak	Løsning
Kompressoren vil ikke fungere.	<ol style="list-style-type: none">1. Batteriet er ikke ladet.2. Dårlig trykkbryter.3. Tanken er full av luft.4. Intern overbelastningsbryter er utløst.	<ol style="list-style-type: none">1. Lad opp batteripakken.2. Ta produktet til et servicesenter.3. Kompressoren vil slå seg på når tanktrykket faller til innkoblingstrykk.4. Slå av produktet og la det kjøle seg ned; ta ut og sett på plass batteripakkene.
Motoren durer men går ikke eller går sakte.	<ol style="list-style-type: none">1. Forkortet eller åpen motorvikling.2. Defekt kontrollventil eller tømmeventil.	<ol style="list-style-type: none">1. Ta produktet til et servicesenter.2. Ta produktet til et servicesenter.
Inter overbelastningsbryter utløses gjentatte ganger.	<ol style="list-style-type: none">1. Mangel på tilfredsstillende ventilasjon/ romtemperaturen er for høy.2. Elektrisk overbelastning.	<ol style="list-style-type: none">1. Flytt produktet til et godt ventilert område. Slå av produktet og la det kjøle seg ned; ta ut og sett på plass batteripakken.
Lufttanktrykket faller når kompressoren slår seg av.	<ol style="list-style-type: none">1. Løse tilkoblinger(beslagdeler, rør, etc.)2. Løs tømmeventil/åpen tømmeventil.3. Kontroller ventillekkasje.	<ol style="list-style-type: none">1. Kontroller alle tilkoblinger for lekkasjer med såpevann og stram til.2. Stram til tømmeventil/steng tømmeventil.3. Ta produktet til et servicesenter.
<div style="text-align: center;">FARE</div> <p>Ikke demonter kontrollventilen, tanktømmeventilen eller sikkerhetsavlastningsventilen med luft på tanken. Frigi luften fra lufttanken.</p>		
Overdreven mengde fukt i luften som slippes ut.	<ol style="list-style-type: none">1. Overdreven mengde vann i lufttanken.2. Høy luftfuktighet.	<ol style="list-style-type: none">1. Tøm lufttanken.2. Flytt til et sted med mindre luftfuktighet; bruk luftslangefilter.
Kompressoren kjører kontinuerlig.	<ol style="list-style-type: none">1. Defekt trykkbryter.2. Overdreven bruk av luft.3. Stempelringen er slitt.	<ol style="list-style-type: none">1. Ta produktet til et servicesenter.2. Reduser luftbruk; kompressoren er ikke stor nok til verktøyets krav.3. Erstatt stempelring; ring autorisert servicesenter for assistanse.
Luftutslipp mindre enn normalt.	<ol style="list-style-type: none">1. Ødelagt inntaksventil.2. Tilkoblingslekkasjer.	<ol style="list-style-type: none">1. Ta produktet til et servicesenter.2. Stram til tilkoblingene.



(RU) ПОИСК И УСТРАНЕНИЕ НЕИСПРАВНОСТЕЙ

Неисправность	Возможная причина	Способ устранения
Компрессор не запускается.	<ol style="list-style-type: none"> 1. Аккумулятор разряжен. 2. Неисправно реле давления. 3. Ресивер заполнен воздухом. 4. Внутреннее реле перегрузки отключено. 	<ol style="list-style-type: none"> 1. Зарядите аккумуляторный блок. 2. Доставьте изделие в сервисный центр. 3. Компрессор включится после того, как давление в резервуаре упадет до уровня включения. 4. Выключите изделие и дайте ему остыть; извлеките и установите аккумуляторные блоки на место.
Двигатель гудит, но не может запуститься или работает медленно.	<ol style="list-style-type: none"> 1. Замыкание или разрыв обмотки двигателя. 2. Неисправность обратного клапана или разгрузочного устройства. 	<ol style="list-style-type: none"> 1. Доставьте изделие в сервисный центр. 2. Доставьте изделие в сервисный центр.
Внутреннее реле перегрузки постоянно отключается.	<ol style="list-style-type: none"> 1. Недостаточная вентиляция/слишком высокая температура в помещении. 2. Электрическая перегрузка. 	<ol style="list-style-type: none"> 1. Переместите изделие в хорошо вентилируемое помещение. 2. Выключите изделие и дайте ему остыть; извлеките и установите аккумуляторный блок на место.
При выключении компрессора давление в воздушном резервуаре падает.	<ol style="list-style-type: none"> 1. Ослабление соединений (фитингов, трубок и т.д.) 2. Ослабьте/откройте спускной клапан. 3. Проверьте клапан на наличие течи. 	<ol style="list-style-type: none"> 1. С помощью мыльного раствора проверьте все соединения и при необходимости затяните. 2. Затяните/закройте спускной клапан. 3. Доставьте изделие в сервисный центр.
<div style="border: 1px solid black; padding: 5px; width: fit-content; margin: 0 auto;"> <p>⚠ ОПАСНО</p> <p>Запрещается разбирать запорный клапан, сливной клапан резервуара или предохранительный клапан, если в воздушном резервуаре находится воздух. Спустите воздух из воздушного резервуара.</p> </div>		
Избыток влаги в выдуваемом воздухе.	<ol style="list-style-type: none"> 1. Избыток воды в ресивере. 2. Высокая влажность. 	<ol style="list-style-type: none"> 1. Осушите воздушный резервуар. 2. Переместите компрессор на менее влажный участок; используйте линейный воздушный фильтр.
Компрессор непрерывно работает.	<ol style="list-style-type: none"> 1. Неисправность реле давления. 2. Увеличенное потребление воздуха. 3. Износились поршневые кольца. 	<ol style="list-style-type: none"> 1. Доставьте изделие в сервисный центр. 2. Уменьшите объем подачи воздуха; размер компрессор недостаточен для инструмента. 3. Замените поршневые кольца; обратитесь в службу работы с клиентами для получения консультации.
Количество подаваемого воздуха меньше обычного.	<ol style="list-style-type: none"> 1. Вышли из строя входные клапаны. 2. Имеется течь в соединениях. 	<ol style="list-style-type: none"> 1. Доставьте изделие в сервисный центр. 2. Затяните соединения.





(PL) ROZWIĄZYWANIE PROBLEMÓW

Problem	Prawdopodobna przyczyna	Rozwiązanie
Sprężarka nie włącza się.	<ol style="list-style-type: none"> 1. Akumulator nie jest naładowany. 2. Uszkodzony wyłącznik ciśnieniowy. 3. Zbiornik jest wypełniony powietrzem. 4. Wewnętrzny wyłącznik przeciążeniowy został aktywowany. 	<ol style="list-style-type: none"> 1. Naładować akumulator. 2. Zabrać produkt do centrum serwisowego. 3. Sprężarka włącza się, gdy ciśnienie w zbiorniku spada do ciśnienia granicznego. 4. Wyłączyć produkt i pozostawić do ostygnięcia. Wyjąć i ponownie włożyć akumulator.
Silnik buczy ale nie uruchamia się lub pracuje bardzo wolno.	<ol style="list-style-type: none"> 1. Zwarcie lub przerwanie uzwojenia silnika. 2. Uszkodzony zawór zwrotny lub reduktor ciśnienia. 	<ol style="list-style-type: none"> 1. Zabrać produkt do centrum serwisowego. 2. Zabrać produkt do centrum serwisowego.
Wewnętrzny wyłącznik przeciążeniowy uruchamia się wielokrotnie.	<ol style="list-style-type: none"> 1. Brak odpowiedniej wentylacji/ za wysoka temperatura w pomieszczeniu. 2. Przeciążenie elektryczne. 	<ol style="list-style-type: none"> 1. Przenieść produkt w dobrze wentylowane miejsce. 2. Wyłączyć produkt i pozostawić do ostygnięcia. Wyjąć i ponownie włożyć akumulator.
Ciśnienie w zbiorniku powietrza spada po wyłączeniu sprężarki.	<ol style="list-style-type: none"> 1. Luźne połączenia (mocowania, przewody itp.) 2. Luźny zawór spustowy/otwarty zawór 3. Sprawdzić, czy zawór nie przecieka. 	<ol style="list-style-type: none"> 1. Sprawdzić wszystkie połączenia za pomocą roztworu wody z mydłem i dokręcić. 2. Dokręcić zawór spustowy/zamknąć zawór spustowy. 3. Zabrać produkt do centrum serwisowego.
<div style="border: 1px solid black; padding: 5px; display: inline-block;"> <p>⚠ NIEBEZPIECZEŃSTWO</p> <p>Nie demontować zaworu zwrotnego, zaworu spustowego zbiornika ani zaworu bezpieczeństwa, gdy w zbiorniku znajduje się powietrze. Wypuścić powietrze ze zbiornika powietrza.</p> </div>		
Nadmierny poziom wilgoci w powietrzu wylotowym.	<ol style="list-style-type: none"> 1. Nadmiar wody w zbiorniku z powietrzem. 2. Wysoka wilgotność. 	<ol style="list-style-type: none"> 1. Opróżnić zbiornik powietrza. 2. Przenieść do obszaru o mniejszej wilgotności, użyć filtra powietrza.
Sprężarka pracuje w sposób ciągły.	<ol style="list-style-type: none"> 1. Uszkodzony wyłącznik ciśnienia. 2. Nadmierne użycie powietrza. 3. Zużyte pierścienie tłoka. 	<ol style="list-style-type: none"> 1. Zabrać produkt do centrum serwisowego. 2. Zmniejszyć zużycie powietrza. Wydajność sprężarki nie spełnia wymagań narzędzia. 3. Wymienić pierścienie tłoka; skontaktować się z działem pomocy technicznej.
Wydajność powietrza poniżej normy.	<ol style="list-style-type: none"> 1. Uszkodzone zawory wlotowe. 2. Połączenia przeciekają. 	<ol style="list-style-type: none"> 1. Zabrać produkt do centrum serwisowego. 2. Dokręcić złączki.



(CS) ŘEŠENÍ PROBLÉMŮ

Problém	Možná příčina	Řešení
Kompresor nechce spustit svůj chod.	<ol style="list-style-type: none">1. Baterie není nabitá.2. Vadný tlakový spínač.3. Nádrž je plná vzduchu.4. Je aktivován vnitřní spínač přetížení.	<ol style="list-style-type: none">1. Nabít baterii.2. Vzít kompresor do servisního střediska.3. Kompresor se zapíná při poklesu tlaku ve vzdušniku na spodní provozní tlak.4. Kompresor vypněte a nechte vychladnout. Vyjměte a znovu vložte baterii.
Motor hučí, ale nemůže běžet či běží pomalu.	<ol style="list-style-type: none">1. Zkratované či rozpojené vinutí motoru.2. Vadný kontrolní ventil či přepouštěč.	<ol style="list-style-type: none">1. Vzít kompresor do servisního střediska.2. Vzít kompresor do servisního střediska.
Opakovaně se aktivuje vnitřní spínač přetížení.	<ol style="list-style-type: none">1. Nedostatečná ventilace/teplota kompresoru je příliš vysoká.2. Elektrický přetížení	<ol style="list-style-type: none">1. Přemístěte kompresor do odvětrávaného prostoru.2. Kompresor vypněte a nechte vychladnout. Vyjměte a znovu vložte baterii.
Při vypnutí kompresoru dojde k poklesu tlaku ve vzdušniku.	<ol style="list-style-type: none">1. Uvolněte spojení (tvarovky, potrubí, atd.)2. Uvolněte /otevřete vypouštěcí ventil.3. Proveďte kontrolu těsnosti ventilu.	<ol style="list-style-type: none">1. Zkontrolujte všechna spojení naplněným roztokem a utáhněte.2. Utáhněte/zavřete vypouštěcí ventil.3. Vzít kompresor do servisního střediska.
⚠ NEBEZPEČÍ		
Nedemontujte zpětný ventil, ventil odvodňování vzdušníku ani bezpečnostní ventil, pokud je ve vzdušniku vzduch. Vypusťte ze vzdušníku vzduch.		
Nadměrná vlhkost ve výstupním vzduchu.	<ol style="list-style-type: none">1. Nadbytek vody v nádrži vzduchu.2. Vysoká vlhkost.	<ol style="list-style-type: none">1. Proveďte odvodnění vzdušníku.2. Přesuňte do oblastí s nízkou vlhkostí; použijte vzduchový filtr.
Kompresor je nepřetržitě v chodu.	<ol style="list-style-type: none">1. Vadný tlakový spínač.2. Nadměrné využívání vzduchu.3. Opořebením pístových kroužků.	<ol style="list-style-type: none">1. Vzít kompresor do servisního střediska.2. Snižte spotřebu vzduchu. Kompresor nestačí spotřebě vzduchu náradím.3. Vyměňte pístové kroužky; pro pomoc zavolejte zákaznický servis.
Výstup vzduchu nižší jak normální.	<ol style="list-style-type: none">1. Zničeny vstupní ventily.2. Spojení netěsní.	<ol style="list-style-type: none">1. Vzít kompresor do servisního střediska.2. Utáhněte spojení.

(HU) HIBAELHÁRÍTÁS

Probléma	Lehetséges ok	Megoldás
A kompresszor nem működik.	<ol style="list-style-type: none">1. Az akkumulátor nincs feltöltve.2. Rossz a nyomáskapcsoló.3. A tartály tele van levegővel. 4. A belső túlterhelésvédő kapcsoló kioldott.	<ol style="list-style-type: none">1. Töltse fel az akkumulátorcsomagot.2. Vigye a terméket a szervizközpontba.3. A kompresszor bekapcsol, amikor a tartály nyomása a beavatkozási nyomás alá esik.4. Kapcsolja ki a terméket és hagyja lehűlni; vegye ki és tegye vissza az akkumulátorcsomagokat.
A motor bűg, de nem forog vagy lassan forog.	<ol style="list-style-type: none">1. Rövidre van zárva a motor tekerce vagy szakadás van benne.2. Hibás visszacsapószelep vagy nyomásszabályozó.	<ol style="list-style-type: none">1. Vigye a terméket a szervizközpontba.2. Vigye a terméket a szervizközpontba.
A belső túlterhelésvédő kapcsoló többször kiold.	<ol style="list-style-type: none">1. Nem megfelelő a szellőztetés/a helyiség hőmérséklete túl magas.2. Elektromos túlterhelés.	<ol style="list-style-type: none">1. Vigye a terméket jól szellőző területre.2. Kapcsolja ki a terméket és hagyja lehűlni; vegye ki és tegye vissza az akkumulátorcsomagot.
A levegőtartály nyomása leesik, amikor a kompresszor leáll.	<ol style="list-style-type: none">1. Laza csatlakozók (illesztések, csövek stb.)2. Kilazult leeresztőszelep/nyitott leeresztőszelep.3. Szivárog a visszacsapószelep.	<ol style="list-style-type: none">1. Szappanos vízzel ellenőrizzen minden csatlakozást, és húzza meg azokat.2. Húzza meg a leeresztőszelepet/zárja el a leeresztőszelepet.3. Vigye a terméket a szervizközpontba.
<div style="border: 1px solid black; padding: 5px;"><p>⚠ VESZÉLY</p><p>Ne szedje szét a visszacsapószelepet, a tartályúritő szelepet és a biztonsági nyomáscsökkentő szelepet, amikor levegő van a tartályban. Eressze ki a levegőt a levegőtartályból.</p></div>		
Túl sok nedvesség a kimenő levegőben.	<ol style="list-style-type: none">1. Túl sok a víz a levegőtartályban.2. Nagy páratartalom.	<ol style="list-style-type: none">1. Üritse ki a levegőtartályt.2. Vigye a kompresszort egy kevésbé nedves területre; használjon légbemeneti szűrőt.
A kompresszor folyamatosan működik.	<ol style="list-style-type: none">1. Hibás nyomáskapcsoló.2. Túlzott nagy a levegőfelhasználás. 3. A dugattyú gyűrűi elhasználódtak.	<ol style="list-style-type: none">1. Vigye a terméket a szervizközpontba.2. Csökkentse a levegőhasználatot; a kompresszor nem elég nagy teljesítményű a szerszám szükségleteihez.3. Cserélje ki a dugattyú gyűrűit; segítségért hívja a vevőszolgálatot.
A légkimenet nyomása alacsonyabb a normálisnál.	<ol style="list-style-type: none">1. Meghibásodott bemeneti szelepek.2. Szivárog valamelyik csatlakozás.	<ol style="list-style-type: none">1. Vigye a terméket a szervizközpontba.2. Húzza meg a csatlakozókat.

(RO) DEPANAREA

Problemă	Cauză posibilă	Soluție
Compresorul nu va funcționa	<ol style="list-style-type: none">1. Acumulatorul este descărcat.2. Comutare la presiune incorectă3. Rezervorul este plin cu aer.4. Comutatorul pentru suprasarcină internă este declanșat.	<ol style="list-style-type: none">1. Reîncărcați acumulatorul.2. Duceți echipamentul la un centru de reparații.3. Compresorul se va porni atunci când presiunea scade la valoarea de pornire setată.4. Oprțiți echipamentul și lăsați-l să se răcească, scoateți și reinstalați acumulatorul.
Motorul emite zgomot, dar nu poate funcționa sau funcționează încet.	<ol style="list-style-type: none">1. Înfășurare scurtcircuitată sau deschisă a motorului.2. Supapă de reținere defectă sau descărcător defect.	<ol style="list-style-type: none">1. Duceți echipamentul la un centru de reparații.2. Duceți echipamentul la un centru de reparații.
Comutatorul de suprasarcină internă se declanșează în mod repetat.	<ol style="list-style-type: none">1. Lipsa de ventilație corespunzătoare/ temperatura camerei prea mare.2. Suprasarcină electrică	<ol style="list-style-type: none">1. Duceți echipamentul într-o zonă bine ventilată.2. Oprțiți echipamentul și lăsați-l să se răcească, scoateți și reinstalați acumulatorul.
Presiunea din rezervorul de aer scade atunci când compresorul este oprit.	<ol style="list-style-type: none">1. Conexiuni slăbite (fitinguri, tuburi etc.)2. Supapă de drenare slăbită/Supapă de drenare deschisă.3. Supapa de reținere prezintă scurgeri.	<ol style="list-style-type: none">1. Verificați toate conexiunile cu soluție de apă și săpun și strângeți.2. Strângeți supapa de drenare/închideți supapa de drenare.3. Duceți echipamentul la un centru de reparații.
<div style="border: 1px solid black; padding: 5px;"><p style="text-align: center;">⚠ PERICOL</p><p>Nu dezasamblați supapa de verificare, supapa de purjare a rezervorului și nici supapa de siguranță atunci când este aer în rezervor. Scoateți aerul din rezervorul de aer.</p></div>		
Umiditate excesivă în aerul evacuat.	<ol style="list-style-type: none">1. Apă în exces în rezervorul de aer.2. Umiditate ridicată.	<ol style="list-style-type: none">1. Purjați rezervorul de aer.2. Mutați într-o zonă cu umiditate mai mică; utilizați filtrul conductei de aer.
Compresorul funcționează continuu.	<ol style="list-style-type: none">1. Întrerupător pneumatic defect.2. Utilizare excesivă de aer.3. Segmenții pistoanelor sunt uzați.	<ol style="list-style-type: none">1. Duceți echipamentul la un centru de reparații.2. Utilizați mai puțin aer, compresorul nu este suficient de mare pentru necesarul uneltei dvs.3. Înlocuiți segmenții pistoanelor; contactați telefonic serviciul de asistență pentru clienți.
Debitul de aer la ieșire este mai mic decât în mod normal.	<ol style="list-style-type: none">1. Supape de admisie defecte.2. Conexiunile nu sunt etanșe.	<ol style="list-style-type: none">1. Duceți echipamentul la un centru de reparații.2. Strângeți conexiunile.

(LV) PROBLĒMU NOVĒRŠANA

Problēma	Iespējamais iemesls	Risinājums
Kompresors nestrādā.	<ol style="list-style-type: none">1. Akumulators nav uzlādēts.2. Bojāts spiediena slēdzis.3. Tvertne ir pilna ar gaisu.4. Nostrādājis iekšējais pārslodzes slēdzis.	<ol style="list-style-type: none">1. Uzlādējiet akumulatoru bloku.2. Nogādājiet produktu servisa centrā.3. Kompresors neieslēdzas, kad tvertnes spiediens nokrīt līdz ieslēgšanās spiedienam.4. Izslēdziet produktu, ļaujiet tam atdzist, noņemiet un atkārtoti uzlieciet akumulatoru blokus.
Motors rūc, bet nedarbojas vai darbojas lēni.	<ol style="list-style-type: none">1. Īsslēgums vai pārtraukums motora tinumos.2. Bojāts pretvārsts vai atslogošanas vārsts.	<ol style="list-style-type: none">1. Nogādājiet produktu servisa centrā.2. Nogādājiet produktu servisa centrā.
Iekšējais pārslodzes slēdzis nostrādā atkārtoti.	<ol style="list-style-type: none">1. Nepietiekoša ventilācija/telpas temperatūra pārāk augsta.2. Elektriska pārslodze.	<ol style="list-style-type: none">1. Pārvietojiet produktu labi vēdināmā vietā.2. Izslēdziet produktu, ļaujiet tam atdzist, noņemiet un atkārtoti uzlieciet akumulatoru blokus.
Kad kompresors izslēdzas, spiediens gaisa tvertnē krīt.	<ol style="list-style-type: none">1. Vaļīgi savienojumi (armatūra, caurules u.c.)2. Vaļīgs noteces vārsts/atvērtais noteces vārsts.3. Pārbaudiet, vai vārstam nav noplūdes.	<ol style="list-style-type: none">1. Pārbaudiet visus savienojumus ar ziepju un ūdens šķīdumu un pievelciet.2. Pievelciet noteces vārstu/aizveriet noteces vārstu.3. Nogādājiet produktu servisa centrā.
⚠ BĪSTAMI Neizjauciet kontrolvārstu, tvertnes noliekšanas vārstu vai drošības vārstu, ja gaisa tvertnē ir gaiss. Nolaidiet tvertnes gaisa spiedienu.		
Pārāk liels mitrums izplūstošajā gaisā.	<ol style="list-style-type: none">1. Pārāk daudz ūdens gaisa tvertnē.2. Liels mitrums.	<ol style="list-style-type: none">1. Noteciniet gaisa tvertni.2. Pārvietojiet uz vietu ar mazāku mitrumu, izmantojiet gaisa vada filtru.
Kompresors darbojas nepārtraukti.	<ol style="list-style-type: none">1. Bojāts spiedienrelejs.2. Pārāk liels gaisa patēriņš.3. Virzuļa gredzeni izdiluši.	<ol style="list-style-type: none">1. Nogādājiet produktu servisa centrā.2. Samaziniet gaisa izmantošanu. Kompresors nav pietiekami liels instrumenta prasību nodrošināšanai.3. Nomainiet virzuļa gredzenus, lūdziet palīdzību klientu dienestā.
Gaisa izstrāde mazāka nekā parasti.	<ol style="list-style-type: none">1. Bojāti ieplūdes vārsti.2. Savienojumiem ir sūce.	<ol style="list-style-type: none">1. Nogādājiet produktu servisa centrā.2. Pievelciet savienojumus.

(LT) GEDIMŲ ŠALINIMAS

Gedimas	Galima priežastis	Sprendimas
Kompresorius neveikia	<ol style="list-style-type: none">1. Neįkrautas akumuliatorius.2. Sugedo slėgio jungiklis.3. Rezervuaras yra visiškai pripildytas oru.4. Suveikė vidinės perkrovos saugiklis.	<ol style="list-style-type: none">1. Įkraukite akumuliatorių.2. Pristatykite įrenginį į techninės priežiūros centrą.3. Kompresorius įsijungs, kai talpyklos slėgis nukris iki įjungimui tinkamo slėgio.4. Išjunkite įrenginį ir palaukite, kol jis atvės; išimkite ir vėl įdėkite akumuliatorių.
Variklis užia, bet nesisuka arba sukasi lėtai.	<ol style="list-style-type: none">1. Užtrumpintos arba atviros variklio apvijos.2. Pažeistas atbulinis vožtuvas arba iškvirklis.	<ol style="list-style-type: none">1. Pristatykite įrenginį į techninės priežiūros centrą.2. Pristatykite įrenginį į techninės priežiūros centrą.
Pakartotinai suveikia vidinės perkrovos saugiklis.	<ol style="list-style-type: none">1. Nepakankama ventilacija / patalpos temperatūra yra per aukšta.2. Elektros perkrova.	<ol style="list-style-type: none">1. Perneškite įrenginį į gerai vėdinamą vietą.2. Išjunkite įrenginį ir palaukite, kol jis atvės; išimkite ir vėl įdėkite akumuliatorių.
Kompresoriui išsijungus, sumažėja oro talpyklos slėgis.	<ol style="list-style-type: none">1. Atsilaisvinę sujungimai (tvirtinimo detalės, vamzdeliai ir t. t.)2. Atsilaisvinęs nuleidimo vožtuvas / atidarytas nuleidimo vožtuvas.3. Patikrinkite, ar vožtuvai neleidžia.	<ol style="list-style-type: none">1. Visus sujungimus patikrinkite muiluotu vandeniu bei jei reikia, priveržkite.2. Priveržkite nuleidimo vožtuvą / uždarykite nuleidimo vožtuvą.3. Pristatykite įrenginį į techninės priežiūros centrą.
		<div style="border: 1px solid black; padding: 5px;"><p style="text-align: center;">⚠ PAVOJUS</p><p>Neardykite kontrolinio vožtuvo, talpyklos išleidimo sklendės arba apsauginio slėgio mažinimo vožtuvo, kai oro talpykloje yra oro. Išleiskite orą iš oro talpyklos.</p></div>
Per didelis drėgmės kiekis išleidžiamame ore.	<ol style="list-style-type: none">1. Per didelis vandens kiekis rezervuare.2. Aukšta drėgmė.	<ol style="list-style-type: none">1. Išleiskite kondensatą iš oro talpyklos.2. Prietaisą perkeltkite į vietą, kurioje mažiau drėgmės; naudokite oro filtrą.
Kompresorius be perstojo veikia.	<ol style="list-style-type: none">1. Pažeistas slėgio jungiklis.2. Per didelis oro eikvojimas.3. Stūmoklio žiedai nusidėvėję.	<ol style="list-style-type: none">1. Pristatykite įrenginį į techninės priežiūros centrą.2. Sumažinkite oro sąnaudas; įrankiui nepakanka kompresoriaus galios.3. Pakeiskite stūmoklio žiedus; dėl pagalbos kreipkitės į klientų aptarnavimo skyrių.
Oro tiekimas mažesnis nei įprasta.	<ol style="list-style-type: none">1. Sugedę įleidimo vožtuvai.2. Sujungimo vietos pralaidžios.	<ol style="list-style-type: none">1. Pristatykite įrenginį į techninės priežiūros centrą.2. Priveržkite sujungimus.

(ET) VEAOTSING

Ilming	Võimalik põhjus	Lahendus
Kompressor ei tööta.	<ol style="list-style-type: none">1. Aku ei ole laetud.2. Halb rõhulüliti.3. Paak on õhuga täidetud.4. Sisemine ülekoormusüliti on rakendunud.	<ol style="list-style-type: none">1. Laadige aku.2. Viige toode teeninduskeskusesse.3. Kompressor lülitub sisse, kui paagi rõhk on langenud sisselülitusrõhu tasemele.4. Lülitage toode välja ja laske sel jahtuda; eemaldage akud ja paigaldage need uuesti.
Mootor undab, kuid ei pöörle või pöörleb aeglaselt.	<ol style="list-style-type: none">1. Mootori mähis on lühistunud või katkenud.2. Reguleerklapp või rõhuvabasti on rikkis.	<ol style="list-style-type: none">1. Viige toode teeninduskeskusesse.2. Viige toode teeninduskeskusesse.
Sisemine ülekoormusüliti rakendub korduvalt.	<ol style="list-style-type: none">1. Ruumis puudub piisav ventilatsioon või on ruumi temperatuur liiga kõrge.2. Elektriline ülekoormus.	<ol style="list-style-type: none">1. Viige toode hea õhutusega kohta.2. Lülitage toode välja ja laske sel jahtuda; eemaldage aku ja paigaldage see uuesti.
Õhuballoonid langeb, kui kompressor välja lülitub.	<ol style="list-style-type: none">1. Lõtvunud ühendused (liitmikud, torustik jne)2. Lõdvendage dreenimiskraan/avage dreenimiskraan.3. Kontrollige, et klapp ei leki.	<ol style="list-style-type: none">1. Kontrollige kõik liitmikud üle seebiveega ja tihendage need vajaduse korral.2. Keerake dreenimiskraan kinni/sulgege dreenimiskraan.3. Viige toode teeninduskeskusesse.
Väljuvas õhus on liigniiskus.	<ol style="list-style-type: none">1. Õhupaagis on liigselt vett.2. Õhu suur niiskusesisaldus.	<ol style="list-style-type: none">1. Tühjendage õhuballoon.2. Paigutage kompressor madalama niiskusega kohta; kasutage õhutorustikul filtrit.
Kompressor töötab pidevalt.	<ol style="list-style-type: none">1. Rõhulüliti on rikkis.2. Ülemäärane õhukulu.3. Kolvirõngad on kulunud.	<ol style="list-style-type: none">1. Viige toode teeninduskeskusesse.2. Vähendage õhutarbimist; kompressor ei ole tööriista vajadustele vastav.3. Asendage kolvirõngad; pöörduge abi saamiseks hooldustöökoha poole.
Õhutootlus on tavalisest madalam.	<ol style="list-style-type: none">1. Sisselaskeklapp on rikkis.2. Liitmikud lekivad.	<ol style="list-style-type: none">1. Viige toode teeninduskeskusesse.2. Pingutage liitmikud.

OHT.

Ärge eemaldage tagasilöögiklappi, ballooni äravooluklappi ega kaitseklappi, kui balloonis on õhku. Laske balloonist õhk välja.

(HR) RJEŠAVANJE PROBLEMA

Problem	Mogući uzrok	Rješenje
Kompresor se ne može pokrenuti.	<ol style="list-style-type: none">1. Baterija nije napunjena.2. Tlačna sklopka je neispravna.3. Spremnik je pun zraka.4. Aktivirala se ugrađena sklopka za zaštitu od preopterećenja.	<ol style="list-style-type: none">1. Napunite bateriju.2. Odnosite proizvod u servisni centar.3. Kompresor će se uključiti kada se tlak u spremniku spusti na uklopni tlak.4. Isključite proizvod i pustite ga da se ohladi; izvadite i ponovno postavite baterije.
Motor bruji no ne može se pokrenuti ili se sporo pokreće.	<ol style="list-style-type: none">1. Kratki spoj ili su otvoreni namotaji motora.2. Zaporni ili odušni ventil je u kvaru.	<ol style="list-style-type: none">1. Odnosite proizvod u servisni centar.2. Odnosite proizvod u servisni centar.
Ugrađena sklopka za zaštitu od preopterećenja aktivira se u više navrata.	<ol style="list-style-type: none">1. Manjak pravilne ventilacije/ temperatura sobe je previsoka.2. Električno preopterećenje.	<ol style="list-style-type: none">1. Premjestite proizvod u dobro ventilirano područje.2. Isključite proizvod i pustite ga da se ohladi; izvadite i ponovno postavite bateriju.
Tlak u spremniku za zrak pada kada se kompresor isključuje.	<ol style="list-style-type: none">1. Labavi spojevi (priklučci, cijevi itd.)2. Labav ispusni ventil/otvoren ispusni ventil.3. Provjerite na propuštanje ventila.	<ol style="list-style-type: none">1. Provjerite sve priklučke sa sapunicom i pritegnite.2. Pritegnite ispusni ventil/zatvorite ispusni ventil.3. Odnosite proizvod u servisni centar.
<div style="border: 1px solid black; padding: 5px;"><p>⚠ OPASNOST</p><p>Ne rastavljajte nepovratni ventil, ventil za pražnjenje spremnika ni sigurnosni ventil dok se u spremniku nalazi zrak. Ispustite zrak iz spremnika za zrak.</p></div>		
Prekomjerna vlaga u ispuhnutom zraku.	<ol style="list-style-type: none">1. Prekomjerna voda u spremniku.2. Visoka vlažnost.	<ol style="list-style-type: none">1. Ispraznite spremnik za zrak.2. Pomaknite na područje s manje vlažnosti; koristite zračni filter.
Kompresor neprekidno radi.	<ol style="list-style-type: none">1. Prekidač tlaka je u kvaru.2. Prekomjerno korištenje zraka.3. Prsteni klipa su istrošeni.	<ol style="list-style-type: none">1. Odnosite proizvod u servisni centar.2. Smanjite potrošnju zraka; kompresor nije dovoljno velik za potrebe alata.3. Zamjena prstenova klipa; za pomoć pozovite službu za korisnike.
Izlaz zraka manji je od normalnog.	<ol style="list-style-type: none">1. Polomljeni ulazni ventili.2. Curenje spojeva.	<ol style="list-style-type: none">1. Odnosite proizvod u servisni centar.2. Pritegnite spojeve.

(SL) ODPRAVLJANJE NAPAK

Težava	Možni vzroki	Rešitev
Kompresor se ne zažene.	<ol style="list-style-type: none">1. Baterija ni napolnjena.2. Pokvarjeno tlačno stikalo.3. Rezervoar je poln zraka.4. Sproženo je stikalo za notranjo preobremenitev.	<ol style="list-style-type: none">1. Napolnite baterijski vložek.2. Izdelek odnesite na servis.3. Kompresor se vklopi, ko tlak v rezervoarju pade na sprožilni tlak.4. Izklopite izdelek in počakajte, da se ohladi; odstranite in znova namestite baterijske vložke.
Motor brni, ampak ne dela ali dela počasi.	<ol style="list-style-type: none">1. Skajšano ali vklopljeno navitje motorja.2. Pokvarjen kontrolni ventil ali sprostilo.	<ol style="list-style-type: none">1. Izdelek odnesite na servis.2. Izdelek odnesite na servis.
Stikalo za notranjo preobremenitev se nenehno sproža.	<ol style="list-style-type: none">1. Slaba prezračenosť/sobna temperatura previsoka.2. Električna preobremenitev.	<ol style="list-style-type: none">1. Izdelek premestite v dobro prezračevano območje.2. Izklopite izdelek in počakajte, da se ohladi; odstranite in znova namestite baterijski vložek.
Ob izklopu kompresorja tlak v zračnem rezervoarju pade.	<ol style="list-style-type: none">1. Razrahljani priključki (pritrdilni spoji, cevi, itd.)2. Razrahljan odvodni ventil/odprt odvodni ventil.3. Preverite, če ventil pušča.	<ol style="list-style-type: none">1. Preverite vse priključke z milnico in jih privijte.2. Zategnite odvodni ventil/zaprite odvodni ventil.3. Izdelek odnesite na servis.
<div style="text-align: center;">⚠ NEVARNOST</div> <p>Ko je v rezervoarju zrak, ne razstavlajte kontrolnega ventila, ventila za praznjenje rezervoarja ali varnostnega sprostilnega ventila. Izpustite zrak iz zračnega rezervoarja.</p>		
Prekomerna raven vlage v izločenem zraku.	<ol style="list-style-type: none">1. Prekomerna količina vode v zračnem rezervoarju.2. Visoka raven vlage.	<ol style="list-style-type: none">1. Izpraznite zračni rezervoar.2. Postavite napravo v prostor z manj vlage; uporabite zračni filter.
Kompresor nenehno deluje.	<ol style="list-style-type: none">1. Pokvarjeno tlačno stikalo.2. Prekomerna poraba zraka.3. Batni obroči so obrabljeni.	<ol style="list-style-type: none">1. Izdelek odnesite na servis.2. Zmanjšajte porabo zraka; kompresor ni dovolj zmogljiv za zahteve orodja.3. Zamenjajte batne obroče; za pomoč lahko pokličete center za stike s strankami.
Tlak zraka iz kompresijske postaje je nižji od nastavljenega.	<ol style="list-style-type: none">1. Pokvarjeni vstopni ventili.2. Priključki puščajo.	<ol style="list-style-type: none">1. Izdelek odnesite na servis.2. Zategnite priključke.



(SK) RIEŠENIE PROBLÉMOV

Problém	Možná príčina	Riešenie
Kompresor sa nespustí.	<ol style="list-style-type: none"> 1. Batéria nie je nabitá. 2. Zlý tlakový spínač. 3. Zásobník je plný vzduchu. 4. Aktivoval sa interný spínač pri preťažení. 	<ol style="list-style-type: none"> 1. Nabite akumulátor. 2. Výrobok zaneste do servisu. 3. Kompresor sa zapne keď tlak v nádrži klesne, aby pokles zastavil. 4. Vypnite výrobok a nechajte ho vychladnúť; vyberte a znova nainštalujte akumulátor.
Motor hučí, ale nespustí sa alebo beží pomaly.	<ol style="list-style-type: none"> 1. Skratované alebo otvorené vinutie motora. 2. Chybná spätná klapka alebo vykladač. 	<ol style="list-style-type: none"> 1. Výrobok zaneste do servisu. 2. Výrobok zaneste do servisu.
Opakovane sa aktivuje interný spínač pri preťažení.	<ol style="list-style-type: none"> 1. Nedostatočné vetranie/teplota miestnosti príliš vysoká. 2. Elektrické preťaženie. 	<ol style="list-style-type: none"> 1. Výrobok preneste na dobre vetrané miesto. 2. Vypnite výrobok a nechajte ho vychladnúť; vyberte a znova nainštalujte akumulátor.
Ak sa kompresor vypne, tlak v nádrži poklesne.	<ol style="list-style-type: none"> 1. Uvoľnené spoje (armatúry, rúrky a pod.) 2. Uvoľnený vypúšťací ventil/otvorený vypúšťací ventil. 3. Presakovanie spätnej klapky. 	<ol style="list-style-type: none"> 1. Skontrolujte všetky spoje pomocou roztoku mydla a vody a potom utiahnite. 2. Uťahnite vypúšťací ventil/zatvorte vypúšťací ventil. 3. Výrobok zaneste do servisu.
<div style="border: 1px solid black; padding: 5px; margin: 10px auto; width: fit-content;"> <p>⚠ NEBEZPEČENSTVO</p> <p>Nerobte bezpečnostný spätný ventil, vypúšťací ventil nádrže ani bezpečnostný vypúšťací ventil, ak je v nádrži vzduch. Z nádrže na vzduch uvoľnite vzduch.</p> </div>		
Nadmerná vlhkosť vo výstupe vzduchu.	<ol style="list-style-type: none"> 1. Nadmerné množstvo vody vo zásobníku vzduchu. 2. Vysoká vlhkosť. 	<ol style="list-style-type: none"> 1. Vypustite nádrž na vzduch. 2. Presuňte na miesto s nižšou vlhkosťou a použite vzduchový filter.
Kompresor nepretržite beží.	<ol style="list-style-type: none"> 1. Chybný tlakový spínač. 2. Nadmerné použitie vzduchu. 3. Krúžky valca sú opotrebované. 	<ol style="list-style-type: none"> 1. Výrobok zaneste do servisu. 2. Znížte používanie vzduchu; kompresor nie je taký veľký ako vyžaduje náradie. 3. Vymeňte krúžky valca, o pomoc požiadajte servis zákazníkom.
Výstup vzduchu je nižší ako normál.	<ol style="list-style-type: none"> 1. Poškodené uzavieracie ventily. 2. Presakovanie spojov. 	<ol style="list-style-type: none"> 1. Výrobok zaneste do servisu. 2. Uťahnite pripojenia.



(BG) ОТСТРАНЯВАНЕ НА ПРОБЛЕМИ

Проблем	Възможна причина	Решение
Компресорът няма да стартира.	<ol style="list-style-type: none">1. Батерията не е заредена.2. Неправилно положение на превключвателя за налягане.3. Резервоарът е пълен с въздух.4. Задействан е вътрешният превключвател при претоварване.	<ol style="list-style-type: none">1. Заредете батерията.2. Занесете продукта в сервизен център.3. Компресорът ще се включи, когато резервоарът в налягането падне под определената граница.4. Изключете продукта и изчакайте да изстине; извадете и поставете отново акумулаторните батерии.
Двигателят издава шум, но не работи или работи бавно.	<ol style="list-style-type: none">1. Късо съединение или открита намотка на двигателя.2. Дефектен клапан за проверка или устройство за разтоварване.	<ol style="list-style-type: none">1. Занесете продукта в сервизен център.2. Занесете продукта в сервизен център.
Вътрешният превключвател при претоварване се включва няколко пъти	<ol style="list-style-type: none">1. Няма подходяща вентилация/ температурата в помещението е прекалено висока.2. Електрическо претоварване.	<ol style="list-style-type: none">1. Преместете продукта на добре проветрено място.2. Изключете продукта и изчакайте да изстине; извадете и поставете отново акумулаторната батерия.
Налягането на въздуха в резервоара пада при изключване на компресора.	<ol style="list-style-type: none">1. Хлабави връзки (принадлежности, тръби и др.).2. Хлабав/отворен клапан за източване.3. Проверете дали има теч на клапана.	<ol style="list-style-type: none">1. Проверете всички връзки с вода и сапун и ги затегнете.2. Затегнете/затворете клапана за източване.3. Занесете продукта в сервизен център.
⚠ ОПАСНОСТ Не разглобявайте клапана за проверка, клапана за източване на резервоара или предпазния клапан за освобождаване на налягането в резервоара за въздух. Изпуснете въздуха от резервоара.		
Прекалено много влага в изпускания въздух.	<ol style="list-style-type: none">1. Прекалено много вода в резервоара за въздух.2. Висока влажност.	<ol style="list-style-type: none">1. Източете резервоара за въздух.2. Преместете на място с по-малко влага; използвайте въздушен филтър.
Компресорът работи непрекъснато.	<ol style="list-style-type: none">1. Дефектен превключвател за налягането.2. Прекомерно използване на въздух.3. Пръстените на буталото за износени.	<ol style="list-style-type: none">1. Занесете продукта в сервизен център.2. Намалете използването на въздух; компресорът не е достатъчно голям за изискванията на инструмента.3. Подменете пръстените на буталото; обърнете се за помощ към център за обслужване на клиенти.
Изходният дебит на въздух е по-слаб от нормалното.	<ol style="list-style-type: none">1. Счупени входящи клапани2. Има течове на връзките.	<ol style="list-style-type: none">1. Занесете продукта в сервизен център.2. Затегнете връзките.



(УК) ПОШУК І УСУНЕННЯ НЕСПРАВНОСТЕЙ

Проблема	Можлива причина	РІШЕННЯ
Компресор не працює.	<ol style="list-style-type: none"> 1. Акумулятор не заряджений. 2. Пошкоджений вимикач тиску. 3. Резервуар заповнений повітрям. 4. Спрацював внутрішній запобіжник перевантаження. 	<ol style="list-style-type: none"> 1. Зарядіть акумулятор. 2. Доставте виріб до сервісного центру. 3. Компресор вмикається, коли тиск у резервуарі падає нижче встановленого рівня. 4. Вимкніть виріб, дайте йому охолонути, зніміть і знову вставте акумулятор.
Двигун гуде, але не починає працювати або працює повільно.	<ol style="list-style-type: none"> 1. Коротке замикання або обрив обмотки двигуна. 2. Вийшов з ладу контрольний клапан або розвантажувальний клапан. 	<ol style="list-style-type: none"> 1. Доставте виріб до сервісного центру. 2. Доставте виріб до сервісного центру.
Регулярно спрацьовує внутрішній запобіжник перевантаження.	<ol style="list-style-type: none"> 1. Недостатня вентиляція / зависока навколишня температура. 2. Електричне перевантаження. 	<ol style="list-style-type: none"> 1. Перемістіть виріб до гарно вентильованої зони. 2. Вимкніть виріб, дайте йому охолонути, зніміть і знову вставте акумулятор.
Тиск повітря падає, коли компресор вимикається.	<ol style="list-style-type: none"> 1. Негерметичність з'єднань (фітінги, труби тощо). 2. Недостатньо щільно затягнутий або відкритий зливний клапан. 3. Перевірте клапан на герметичність. 	<ol style="list-style-type: none"> 1. За допомогою мильного розчину перевірте всі з'єднання та затягніть їх. 2. Затягніть / закрийте зливний клапан. 3. Доставте виріб до сервісного центру.
<div style="border: 1px solid black; padding: 5px; margin: 10px auto; width: fit-content;"> <p style="text-align: center;">⚠ НЕБЕЗПЕКА</p> <p>Забороняється знімати контрольний клапан, випускний клапан резервуару або запобіжний клапан, якщо резервуар для повітря знаходиться під тиском. Стравіть повітря з резервуару.</p> </div>		
Надлишкова волога у повітрі на виході.	<ol style="list-style-type: none"> 1. Надлишкова волога у пневматичному резервуарі. 2. Висока вологість. 	<ol style="list-style-type: none"> 1. Стравіть повітря з резервуару. 2. Перемістіть виріб до зони з меншою вологістю; встановіть лінійний повітряний фільтр.
Компресор працює безперервно.	<ol style="list-style-type: none"> 1. Вийшов з ладу датчик тиску. 2. Надлишковий розхід повітря. 3. Зношені поршневі кільця. 	<ol style="list-style-type: none"> 1. Доставте виріб до сервісного центру. 2. Зменшіть розхід повітря; потужність компресора недостатня для забезпечення інструменту повітрям. 3. Замініть поршневі кільця; зверніться за допомогою до служби підтримки клієнтів.
Вихід повітря нижче звичайного.	<ol style="list-style-type: none"> 1. Несправні впускні клапани 2. Негерметичні з'єднання. 	<ol style="list-style-type: none"> 1. Доставте виріб до сервісного центру. 2. Затягніть з'єднання.



(TR) SORUN GİDERME

Sorun	Olası nedeni	Çözümü
Kompresör çalışmıyor.	<ol style="list-style-type: none">1. PİL dolu değil.2. Bozuk basınç anahtarı.3. Depo havayla dolu.4. Dahili aşırı yük anahtarı harekete geçti.	<ol style="list-style-type: none">1. PİL paketini şarj edin.2. Ürünü servis merkezine götürün.3. Tank basıncı devreye girme basıncına düştüğünde kompresör açılır.4. Ürünü kapatın ve soğumaya bırakın; pil paketleri çıkartıp tekrar takın.
Motordan ses geliyor ancak çalışmıyor veya yavaş çalışıyor.	<ol style="list-style-type: none">1. Kısa devre yapmış ya da gevşemiş motor sargısı.2. Arızalı çek valf veya boşaltıcı.	<ol style="list-style-type: none">1. Ürünü servis merkezine götürün.2. Ürünü servis merkezine götürün.
Dahili aşırı yük şalteri sürekli atıyor.	<ol style="list-style-type: none">1. Yeterli havalandırma eksikliği/oda sıcaklığı çok yüksek.2. Elektrik aşırı yüklemesi.	<ol style="list-style-type: none">1. Ürünü iyi havalandırılmış bir bölgeye taşıyın.2. Ürünü kapatın ve pil paketini söküp tekrar takın.
Hava tankı basıncı kompresör kapandığında düşer.	<ol style="list-style-type: none">1. Gevşek bağlantılar (bağlantı elemanları, boru tesisatı vb.)2. Tahliye valfini gevşetin/tahliye valfini açın.3. Valfi kaçaqlara karşı kontrol edin.	<ol style="list-style-type: none">1. Tüm bağlantıları sabun ve su karışımıyla kontrol edin ve sıkın.2. Tahliye valfini sıkın/tahliye valfini kapatın.3. Ürünü servis merkezine götürün.
<div style="border: 1px solid black; padding: 5px; width: fit-content; margin: 0 auto;"><p>⚠ TEHLİKE</p><p>Kontrol valfini, tank boşaltma valfini veya tankın içindeki havalı güvenlik boşaltma valfini sökmeyin. Hava tankından havayı boşaltın.</p></div>		
Hava çıkışında aşırı nem.	<ol style="list-style-type: none">1. Depoda aşırı su var.2. Yüksek nem.	<ol style="list-style-type: none">1. Hava tankını boşaltın.2. Daha az nemli bir alana taşıyın; hava hattı filtresi kullanın.
Kompresör sürekli çalışıyor.	<ol style="list-style-type: none">1. Arızalı basınç anahtarı.2. Aşırı hava kullanımı.3. Piston segmanları aşınmış.	<ol style="list-style-type: none">1. Ürünü servis merkezine götürün.2. Hava kullanımını azaltın; kompresör aletin gerektirdiği kadar büyük değil.3. Piston segmanlarını değiştirin; yardım için müşteri hizmetlerini arayın.
Hava çıkışı normalden düşük.	<ol style="list-style-type: none">1. Arızalı giriş valfleri.2. Bağlantılar sızdırıyor.	<ol style="list-style-type: none">1. Ürünü servis merkezine götürün.2. Bağlantıları sıkın.



(ΕΛ) ΑΝΤΙΜΕΤΩΠΙΣΗ ΠΡΟΒΛΗΜΑΤΩΝ

Προβλημα	Πιθανή αιτία	Λύση
Ο συμπιεστής δεν λειτουργεί.	<ol style="list-style-type: none"> 1. Η μπαταρία δεν είναι φορτισμένη. 2. Χαλασμένος διακόπτης πίεσης. 3. Η δεξαμενή είναι γεμάτη αέρα. 4. Ο εσωτερικός διακόπτης υπερφόρτωσης βραχυκύκλωσε. 	<ol style="list-style-type: none"> 1. Επαναφορτίστε την μπαταρία. 2. Δώστε το προϊόν σε ένα κέντρο σέρβις. 3. Ο συμπιεστής ενεργοποιείται όταν η πίεση του δοχείου πέφτει στην πίεση διακοπής. 4. Απενεργοποιήστε το προϊόν και αφήστε το να κρυώσει, και αφαιρέστε και ξανατοποθετήστε τις μπαταρίες.
Ο κινητήρας ακούγεται αλλά δεν λειτουργεί ή λειτουργεί αργά.	<ol style="list-style-type: none"> 1. Μικρή ή ανοιχτή περιέλιξη κινητήρα. 2. Ελαττωματική βαλβίδα ελέγχου ή εκφορτωτής. 	<ol style="list-style-type: none"> 1. Δώστε το προϊόν σε ένα κέντρο σέρβις. 2. Δώστε το προϊόν σε ένα κέντρο σέρβις.
Ο εσωτερικός διακόπτης υπερφόρτωσης βραχυκυκλώνει επανειλημμένα.	<ol style="list-style-type: none"> 1. Έλλειψη κατάλληλου εξαερισμού / υπερβολικά υψηλή θερμοκρασία δωματίου. 2. Ηλεκτρική υπερφόρτωση. 	<ol style="list-style-type: none"> 1. Μετακινήστε το προϊόν σε καλά αεριζόμενο χώρο. 2. Απενεργοποιήστε το προϊόν και αφήστε το να κρυώσει, και αφαιρέστε και ξανατοποθετήστε την μπαταρία.
Η πίεση του δοχείου αέρα πέφτει όταν κλείνει ο συμπιεστής.	<ol style="list-style-type: none"> 1. Χαλαρές συνδέσεις (εξαρτήματα, σωληνώσεις κ.λπ.) 2. Χαλαρή βαλβίδα αποστράγγισης / ανοιχτή βαλβίδα αποστράγγισης. 3. Ελέγξτε τη βαλβίδα για διαρροές. 	<ol style="list-style-type: none"> 1. Ελέγχετε όλες τις συνδέσεις με διάλυμα σαπουνιού και νερού και σφίξτε. 2. Σφίξτε τη βαλβίδα αποστράγγισης / κλείστε τη βαλβίδα αποστράγγισης. 3. Δώστε το προϊόν σε ένα κέντρο σέρβις.
<div style="border: 1px solid black; padding: 5px; width: fit-content; margin: 0 auto;"> <p>⚠ ΚΙΝΔΥΝΟΣ</p> <p>Μην αποσυναρμολογείτε την βαλβίδα ελέγχου, την βαλβίδα αποστράγγισης του δοχείου ή την βαλβίδα εκτόνωσης ασφαλείας ενώ υπάρχει αέρας στο δοχείο. Απελευθερώστε τον αέρα από το δοχείο αέρα.</p> </div>		
Υπερβολική υγρασία στον εξερχόμενο αέρα.	<ol style="list-style-type: none"> 1. Υπερβολική παρουσία νερού στη δεξαμενή αέρα. 2. Υψηλή υγρασία. 	<ol style="list-style-type: none"> 1. Αποστραγγίστε το δοχείο αέρα. 2. Μετακινήστε σε χώρο με λιγότερη υγρασία - χρησιμοποιήστε το φίλτρο γραμμής αέρα.
Ο συμπιεστής λειτουργεί συνεχώς.	<ol style="list-style-type: none"> 1. Ελαττωματικός διακόπτης πίεσης. 2. Υπερβολική χρήση αέρα. 3. Οι δακτύλιοι πιστονίων έχουν φθαρεί. 	<ol style="list-style-type: none"> 1. Δώστε το προϊόν σε ένα κέντρο σέρβις. 2. Μειώστε τη χρήση αέρα, γιατί ο συμπιεστής δεν είναι αρκετά μεγάλος για τις απαιτήσεις του εργαλείου. 3. Αντικαταστήστε τους δακτυλίους πιστονίων και καλέστε την εξυπηρέτηση πελατών για βοήθεια.
Απόδοση αέρα χαμηλότερη από την κανονική.	<ol style="list-style-type: none"> 1. Σπασμένες βαλβίδες εισόδου. 2. Διαρροή συνδέσεων. 	<ol style="list-style-type: none"> 1. Δώστε το προϊόν σε ένα κέντρο σέρβις. 2. Σφίξτε τις συνδέσεις.





English	Français	Deutsch	Español	Italiano
Product specifications	Caractéristiques de l'appareil	Produkt-Spezifikationen	Especificaciones del producto	Specifiche prodotto
18V Air compressor	Compresseur pneumatique 18 V	18V-Druckluftkompressor	Compresor de aire de 18 V	Compresore ad aria da 18 V
Model	Modèle	Modell	Modelo	Modello
Rated motor power	Puissance nominale du moteur	Nennleistung des Motors	Potencia nominal del motor	Potenza nominale del motore
Rated current	Courant nominal	Nennstrom	Corriente nominal	Corrente di alimentazione
Air outlet	Sortie d'air	Luftaustritt	Salida de aire	Uscita dell'aria
Euro 1/4" male coupler Accessory coupler: PCL high-flow-style male coupler 1/4" BSP (suitable for 1/4" PCL "snap" male/female plugs and 1/4" PCL high-flow male/female plugs)	Coupleur mâle Euro 1/4 po. Coupleur accessoire : Coupleur mâle CPL à haut débit 1/4 po BSP (adapté pour les prises mâles/ femelles à enclenchement PCL 1/4 po. et les prises mâles/femelles haut débit PCL 1/4 po.)	Steckkuppler, Euro 1/4" Zuhörkuppler: PCL-Hochdruck- Steckkuppelverbindung, 1/4" BSP (geeignet für PCL- Steck- bzw. Buchsenstecker von 1/4" und PCL- Hochdruck-Steck- bzw. Buchsenstecker, 1/4")	Acoplador macho de 1/4" (Euro) Acoplamiento para accesorios: Acoplamiento mecho de flujo alto y PCL, 1/4" BSP (adecuado para tapones macho/hembra «a presión» de 1/4" PCL y tapones macho/hembra de alto flujo de 1/4" PCL)	Accoppiatore maschio Euro 1/4" Accoppiatore accessorio: Accoppiatore maschio di tipo alto flusso PCL 1/4" BSP (adatto a spine maschio/femmina "a scatto" PCL 1/4 e spine maschio/femmina a flusso elevato PCL da 1/4")
Quick connector fitting size	Taille du connecteur à attache rapide	Zubehörgröße Schnellverbinder	Tamaño del conector rápido	Dimensioni di innesto del connettore rapido
BSP thread	Filetage BSP	BSP-Gewinde	Rosca BSP	Filo BSP
Weight	Poids	Gewicht	Peso	Peso
Input	Alimentation	Eingangsleistung	Tensión nominal	Alimentazione
Air tank capacity	Capacité du réservoir d'air	Tankinhalt	Capacidad del depósito de aire	Capacità del serbatoio dell'aria
Free air delivery	Délivrance d'air libre	Freie Zuluft	Suministro de aire libre	Alimentazione dell'aria libera
Maximum air delivery at 0 bar tank pressure	Délivrance d'air maximale à 0 bar de pression du réservoir	Maximale Zuluft bei einem Tankdruck von 0 Bar	Suministro máximo de aire con una presión en el depósito de 0 bar	Massima alimentazione dell'aria a pressione del serbatoio di 0 bar
Maximum air pressure	Pression d'air maximale	Maximaler Luftdruck	Presión de aire máxima	Pressione massima dell'aria
Working pressure range	Plage de pression de fonctionnement	Arbeitsdruckbereich	Intervalo de presión de trabajo	Intervallo delle pressioni di esercizio
Pressure gauge	Jauge de pression	Druckmesser	Manómetro	Manometro
Maximum rotational shaft speed	Vitesse maximale de rotation	Maximale Geschwindigkeit Rotationsschaft	Velocidad máxima de giro del eje	Massima velocità di rotazione dell'albero
Operating temperature	Température de fonctionnement	Betriebstemperatur	Temperatura de funcionamiento	Temperatura di funzionamento
Measured sound pressure level (the reference number of the noise test code: EN ISO 2151:2008)	Niveau de pression acoustique mesurée (Numéro de référence du code des tests acoustiques : EN ISO 2151:2008)	Gemessener Schalldruckpegel (Referenznummer der Geräuschmessnorm: EN ISO 2151:2008)	Medición del nivel de presión acústica (el número de referencia del código de prueba de ruido: EN ISO 2151:2008)	Livello di pressione audio calcolato (Numero di riferimento del codice di prova del rumore: EN ISO 2151:2008)
Uncertainty K	Incertitude K	Unsicherheit K	Incertidumbre K	Incertezza K
Measured sound power level (the reference number of the noise test code: EN ISO 2151:2008)	Niveau de puissance sonore mesuré (Numéro de référence du code des tests acoustiques : EN ISO 2151:2008)	Gemessener Schalleistungspegel (Referenznummer der Geräuschmessnorm: EN ISO 2151:2008)	Nivel de potencia acústica medido (el número de referencia del código de prueba de ruido: EN ISO 2151:2008)	Livello di potenza acustica misurato (Numero di riferimento del codice di prova del rumore: EN ISO 2151:2008)
Uncertainty K	Incertitude K	Unsicherheit K	Incertidumbre K	Incertezza K





Nederlands	Português	Dansk	Svenska	
Productspecificaties	Especificações do produto	Produktspecifikationer	Produktspecifikationer	
18 V luchtcompressor	Compressor de ar de 18 V	18 V luftkompressor	Luftkompressor på 18 V	
Model	Modelo	Model	Modell	R18AC
Nominaal motorvermogen	Potência nominal do motor	Nominel motoreffekt	Nominell motoreffekt	243 W
Nominale stroom	Corrente nominal	Mærkestrøm	Ström	13.5 A
Luchtuitlaat	Saida de ar	Luftudtag	Luftuttag	
Euro 1/4" mannelijke koppeling Bijkomende koppeling: Mannelike PCL-koppeling voor hoge stroomsnelheid, 1/4 inch BSP (geschikt voor 1/4" PCL "snap" M/V pluggen en 1/4" PCL high-flow M/V pluggen)	Engate macho Euro de 1/4" Engate para acessórios: Engate de PCL macho de fluxo elevado, 1/4" BSP (adequado para fichas macho/fêmea de "encaixe" PCL de 1/4" e fichas macho/fêmea de elevado caudal PCL de 1/4")	Euro 1/4" hankobling Tilbehørskobling: PCL hankobling 1/4" BSP med høj flow (egnet til 1/4" PCL" snap "han-hunstik og 1/4" PCL med høj gennemstrømning han-/hunstik)	Hankoppling, 6,35 mm Tilbehørskobling: PCL-koppling med hög flödesstil, hane, 1/4 tum BSP (lämplig för han-/honkontakter med "PCL-lås" på 6,35 mm och han-/honkontakter med högt PCL-flöde)	
Snelkoppeling pasmaat	Tamanho do conector rápido	Hurtigttilslutning fitting-størrelse	Monteringsstorlek med snabb anslutning	
BSP-schroefdraad	Rosca BSP	BSP-gevind	BSP-gänga	6.35 mm (1/4")
Gewicht	Peso	Vægt	Vikt	6.4 kg
Input	Admissão	Strømforsyning	Matningsspänning	18 V
Luchttankcapaciteit	Capacidade do tanque de ar	Lufttankens kapacitet	Lufttankkapacitet	3.8 L
Vrije luchtlevering	Distribuição do ar livre	Fri lufttilførsel	Gratis luftleverans	20.5 L/min @ 2.8 bar (0.72 cfm @ 40 psi) 14.1 L/min @ 6.2 bar (0.51 cfm @ 90 psi)
Maximale luchtlevering bij 0 bar tankdruk	Distribuição máxima do ar com uma pressão no depósito de 0 bar	Maksimal lufttilførsel ved 0 bar tanktryk	Maximalt luftleverans vid ett tanktryck på 0 bar	49.6 L/min (1.75 cfm)
Maximale luchtdruk	Pressão do ar máxima	Maksimalt lufttryk	Maximalt lufttryck	8 bar (116 psi)
Bereik werkdruk	Intervalo de pressão de funcionamento	Working pressure range	Räckvidd för arbetstryck	6 - 8 bar (87 - 116 psi)
Manometer	Manômetro de pressão	Trykmåler	Trykmätare	2 pcs, 38.1mm (1.5 in.) diameter
Maximale asrotatiesnelheid	Velocidade máximo do eixo rotativo	Maksimal rotationshastighed af akslen	Maximal axelhastighet vid rotation	5400 min ⁻¹
Bedrijfstemperatuur	Temperatura de Funcionamento	Drifttemperatur	Drifttemperatur	+5~+40°C
Gemeten geluidsdrukniveau (het referentienummer van de geluidstestcode: EN ISO 2151:2008)	Nivel de pressão sonora medido (o número de referência do código do teste de ruído: EN ISO 2151:2008)	Målt lydtryksniveau (Referencenummeret til støjrøvekoden: EN ISO 2151:2008)	Uppmått ljudtrycksnivå (referensnumret för bullertestkoden: EN ISO 2151:2008)	L _{pk} = 79.55 dB(A)
Onzekerheid K	Incerteza K	Usikkerhed K	Osäkerhet K	3 dB
Gemeten geluidsniveau (het referentienummer van de geluidstestcode: EN ISO 2151:2008)	Nivel de potência sonora medido (Nível de pressão sonora medido (o número de referência do código do teste de ruído: EN ISO 2151:2008)	Målt støjniveau (Referencenummeret til støjrøvekoden: EN ISO 2151:2008)	Uppmått ljudeffektsnivå (referensnumret för bullertestkoden: EN ISO 2151:2008)	L _{wk} = 91.76 dB(A)
Onzekerheid K	Incerteza K	Usikkerhed K	Osäkerhet K	3 dB





Suomi	Norsk	Русский	Polski	Čeština
Tuotteen tekniset tiedot	Produktspesifikasjoner	Характеристики изделия	Specyfikacja produktu	Technické údaje produktu
18 V:n ilmakompressori	18 V luftkompressor	Воздушный компрессор 18 В	Sprężarka powietrza 18 V	18V vzduchový kompresor
Malli	Modell	Модель	Model	Model
Moottorin nimellisteho	Nominell motoreffekt	Номинальная мощность мотора	Moc znamionowa silnika	Jmenovitý příkon motoru
Nimellisvirta	Nominell strøm	Номинальный ток	Prąd znamionowy	Jmenovitý proud
Ilman ulostulo Euro 1/4" -urosliitin Lisävarustelittin: 1/4" BSP -tyypin PCL-virtausliitin suurelle virtaukselle, uros (soveltuu 1/4-tuuman napsautustyyppisille PLC-uros-/naarasliittimille ja 1/4-tuuman korkean virtauksen PLC-uros-/ naarasliittimille)	Luftutslipp Euro 1/4" hannkobling Tilbehørskobling: PCL hannkobling 1/4" BSP med høy flow (egnet til 1/4" PCL "smekk"-hann-/ hunnplugger og 1/4" PCL high-flow hann-/ hunnplugger)	Воздушное отверстие Охватываемое соединение "Евро" 1/4" Дополнительное соединение: Охватываемый соединитель шлангов высокого давления, ПКЛ, 1/4" BSP (подходит для охватываемой/и охватываемой втулки высокого давления 1/4" PCL с защелкой)	Wylot powietrza Złączka męska Euro 1/4 cala Złączka akcesoriów: Szybkooprzepltywowe złącze męskie PCL, 1/4" BSPS (nadaje się do „zatrzaskowych” wtyczek męskich/żeńskich 1/4 cala PCL oraz wtyczek męskich/żeńskich o wysokim przepływie 1/4 cala PCL)	Vývod vzduchu Eurospojka ¼" z vnějším závitem Spojka pro příslušenství: Spojka PCL, BSP ¼" pro vysoký průtok s vnějším závitem (vhodná pro „nasazovací" ¼" zástrčky/zásuvky PCL a vysokoprůtokové ¼" zástrčky/zásuvky PCL)
Pikaliittimen asennuskoko BSP-kierre	Hurtigkoblingsfitting, størrelse BSP gjenge	Размер фитинга быстросъемного соединителя Резьба BSP	Rozmiar szybkozłączca Gwint BSP	Velikost rychlospojky závit BSP
Paino	Vekt	Вес	Waga	Hmotnost
Virrankulutus	Input	Питание	Zasilanie	Vstup
Paineilmasäiliön tilavuus	Lufttankkapasitet	Емкость ресивера	Pojemność zbiornika powietrza	Kapacita nádrže vzduchu
Vapaa ilmansyöttö	Fri luftlevering	Свободная подача воздуха	Swobodny wydatek powietrza	Průtok vzduchu v závislosti na tlaku
Suurin ilmansyöttö 0-baarin säiliöpaineella	Maksimal luftlevering ved 0 bar tanktrykk	Максимальная подача воздуха при давлении в воздушном резервуаре 0 бар	Maksymalny wydatek powietrza, gdy ciśnienie w zbiorniku wynosi 0 barów	Maximální průtok vzduchu při tlaku ve vzdušniku 0 barů
Suurin ilmanpaine	Maksimalt lufttrykk	Максимальное воздушное давление	Maksymalne ciśnienie powietrza	Maximální tlak vzduchu
Työpainelaue	Arbeidstrykkområde	Диапазон рабочего давления	Zakres ciśnienia roboczego	Rozsah provozního tlaku
Painemittari	Trykkmåler	Манометр	Manometr	Tlakoměr
Suurin pyörimisakselin nopeus	Maksimal rotasjonsakselhastighet	Максимальная частота вращения стержня	Maksymalna prędkość obrotowa wału	Maximální otáčky hřídele
Käyttölämpötila	Driftstemperatur	Рабочая температура	Temperatura robocza	Provozní teplota
Mittattu äänenpainetaso (melutestikoodin viitenumero: EN ISO 2151:2008)	Målt lydtrykksnivå (Referansnummeret til støytestkoden: EN ISO 2151:2008)	Расчетный уровень звукового давления (справочный номер метода звуковых испытаний: EN ISO 2151:2008)	Zmierzony poziom ciśnienia akustycznego (Numer referencyjny przepisów dot. badania hałasu: EN ISO 2151:2008)	Měřená hladina akustického tlaku (norma zkušebního předpisu pro měření hloučosti: EN ISO 2151:2008)
Epätarkkuus K	Usikkerhet K	Погрешность K	Niepewność pomiaru K	Nejistota K
Mittattu äänenteho (melutestikoodin viitenumero: EN ISO 2151:2008)	Målt lydeffektivitå (Målt lydtrykksnivå (Referansnummeret til støytestkoden: EN ISO 2151:2008)	Измеренный уровень звуковой мощности (справочный номер метода звуковых испытаний: EN ISO 2151:2008)	Zmierzony poziom natężenia hałasu (Numer referencyjny przepisów dot. badania hałasu: EN ISO 2151:2008)	Změřená hladina akustického výkonu (norma zkušebního předpisu pro měření hloučosti: EN ISO 2151:2008)
Epätarkkuus K	Usikkerhet K	Погрешность K	Niepewność pomiaru K	Nejistota K





Magyar	Română	Latviski	Lietuviškai	
Technikai adatok	Specificațiile produsului	Gaminio techninės savybės	Gaminio techninės savybės	
18 V-os levegőkompresszor	Compresor de aer, 18V	18 V oro kompresorius	18 V oro kompresorius	
Típus	Model	Modelis	Modelis	R18AC
Névleges motorteljesítmény	Putere nominală motor	Vardinė variklio galia	Vardinė variklio galia	243 W
Névleges áramerősség	Curentul nominal	Nominali srovė	Nominali srovė	13.5 A
Levegőkimenet	Evacuare aer	Oro išleidimo anga	Oro išleidimo anga	
Euro 1/4" csatlakozódugó Tartozékdupó: PCL high-flow-style férfi csatlakozó 1/4" BSP (1/4" PCL belső/külső menet gyorscsatlakozó és 1/4" PCL nagy áramlású belső/ külső menet dugó)	Cuplor tip tată, Euro 1/4" Accesorii cuplor: Cuplor tip „tată” pentru debit mare, PCL 1/4" BSP (potrivit pentru fișe tip mamă/tată cu siguranță, de 1/4" PCL și fișe tip mamă/tată pentru debit mare, de 1/4" PCL)	„Euro” 1/4 col. apgaubiamoji jungtis Priedo sujungiamoji mova: PCL greitoji apgaubiamoji pneumatinė jungtis, 1/4 col. BSP (tinka 1/4 col. PCL „fiksuojamiesiems” apgaubiamiesiems kištukams / kištukams su vidiniais sriegiais ir 1/4 col. PCL didelio srauto apgaubiamiesiems kištukams / kištukams su vidiniais sriegiais)	„Euro” 1/4 col. apgaubiamoji jungtis Priedo sujungiamoji mova: PCL greitoji apgaubiamoji pneumatinė jungtis, 1/4 col. BSP (tinka 1/4 col. PCL „fiksuojamiesiems” apgaubiamiesiems kištukams / kištukams su vidiniais sriegiais ir 1/4 col. PCL didelio srauto apgaubiamiesiems kištukams / kištukams su vidiniais sriegiais)	
Gyorscsatlakozó szerelési mérete	Dimensiune fitting conector cu conectare rapidă	Greito prijungimo jungties montavimo galo dydis	Greito prijungimo jungties montavimo galo dydis	6.35 mm (1/4")
BSP menet	Filet BSP	BSP sriegis	BSP sriegis	
Tömeg	Greutate	Svoris	Svoris	6.4 kg
Bemenet	Intrare	Ivestis	Ivestis	18 V
Levegőtartály kapacitása	Capacitate rezervor de aer	Oro rezervuaro talpa	Oro rezervuaro talpa	3.8 L
Légszállítás	Furnizare liberă aer	Laisvas oro tiekimas	Laisvas oro tiekimas	20.5 L/min @ 2.8 bar (0.72 cfm @ 40 psi) 14.1 L/min @ 6.2 bar (0.51 cfm @ 90 psi)
Maximális légszállítás 0 bar tartálynyomásnál	Valoare maximă aer furnizat la 0 bari în rezervor	Maksimalus oro tiekimas esant 0 barų talpyklos slėgiui	Maksimalus oro tiekimas esant 0 barų talpyklos slėgiui	48.6 L/min (1.75 cfm)
Maximális légnyomás	Presiune maximă aer	Maksimalus oro slėgis	Maksimalus oro slėgis	8 bar (116 psi)
Üzemi nyomástartomány	Interval presiune de lucru	Darbinio slėgio diapazonas	Darbinio slėgio diapazonas	6 - 8 bar (87 - 116 psi)
Nyomásmérő	Indicator de presiune	Slėgmatis	Slėgmatis	2 pcs, 38.1mm (1.5 in.) diameter
Forgótengely maximális fordulatszám	Vitează maximă de rotație ax	Maksimalus sukamojo veleno greitis	Maksimalus sukamojo veleno greitis	5400 min ⁻¹
Működési hőmérséklet	Temperatură de funcționare	Darbinė temperatūra	Darbinė temperatūra	+5~+40°C
Hangnyomás mért szintje (a zajvizsgálati előírás referenciaszáma: EN ISO 2151:2008)	Nivel de zgomot măsurat (număr de referință al codului de testare zgomot: EN ISO 2151:2008)	Išmatuotas garso slėgio lygis (kontrolinis triukšmo bandymo kodo numeris: EN ISO 2151:2008)	Išmatuotas garso slėgio lygis (kontrolinis triukšmo bandymo kodo numeris: EN ISO 2151:2008)	L _{WA} = 79.55 dB(A)
Bizonytalanság K	Incertitudine K	Nepastovumas K	Nepastovumas K	3 dB
Mért hangteljesítményszint (a zajvizsgálati előírás referenciaszáma: EN ISO 2151:2008)	Nivelul măsurat al puterii acustice (număr de referință al codului de testare zgomot: EN ISO 2151:2008)	Išmatuotas akustinis lygis (kontrolinis triukšmo bandymo kodo numeris: EN ISO 2151:2008)	Išmatuotas akustinis lygis (kontrolinis triukšmo bandymo kodo numeris: EN ISO 2151:2008)	L _{WA} = 91.76 dB(A)
Bizonytalanság K	Incertitudine K	Nepastovumas K	Nepastovumas K	3 dB





Eesti	Hrvatski	Slovensko	Slovenčina
Toote tehnilised andmed	Spetsifikacije proizvoda	Spetsifikacije izdelka	Špecifikácia
18 V õhukompressor	Zračni kompresor od 18 V	Zračni kompresor 18 V	18-voltový vzduchový kompresor
Mudeli tähis	Model	Model	Model
Mootori nimivõimsus	Nazivna snaga motora	Nazivna moč motorja	Menovitý výkon motora
Nimivool	Nazivna struja	Nazivna vrednost toka	Menovitý prúd
Õhuväljund	Izlazni otvor za zrak	Izhod zraka	Výstup vzduchu
Pistiktüüpi 1/4" euroliitmik Lisaseadme liitmik: PCL kiire vooluga siseliitmik 1/4" BSP (sobib 1/4" PCL pistik-/pesatüüpi kohaleplõksatavatele pistikutele ja 1/4" PCL suure vooluga pistik-/pesatüüpi pistikutele)	Muška spojnica Euro 1/4" Spojnica za pribor: PCL muška spojnica brzog protoka od 1/4" BSP (prikladna za PCL uskočne muške/ženske priključke od 1/4" i PCL muške/ženske priključke brzog protoka od 1/4")	Moška spojka Euro 1/4" Spojka za dodatke: Moška visokopretočna spojka PCL 1/4" BSP (primerna za moške/ženske zaskočne vtiče 1/4" PCL in visokopretočne moške/ženske vtiče 1/4" PCL)	Zástrčková euro spojka 1/4" Spojka pre príslušenstvo: PLC spojka s vonkajším závitom 1/4" BSP pre vysoký prietok (vhodná pre 1/4" PCL „zacvakávacie“ zásuvkové/ zástrčkové konektory a 1/4" PCL zásuvkové/zástrčkové konektory s vysokým prietokom)
Kiire pistikühenduse suurus	Veličina armature brze spojnice	Velikost nastavka priključka za hitro priključitev	Montážna veľkosť rýchlospojky
BSP keere	BSP navoj	Nit BSP	Závit BSP
Mass	Težina	Teža	Hmotnosť
Vooluvõrk	Ulaz	Vhod	Vstup
Õhupaagi maht	Kapacitet spremnika zraka	Prostornina zračnega rezervoarja	Kapacita zásobníka vzduchu
Vaba õhugarustus	Slobodna isporuka zraka	Prosto dovajanje zraka	Volný prívod vzduchu
Maksimaalne õhugarustus, kui ballooni rõhk on 0 baari	Maksimalna isporuka zraka pri tlaku 0 bar u spremniku	Največje dovajanje zraka pri tlaku v rezervoarju 0 barov	Maximálny prívod vzduchu pri 0-barovom tlaku v nádrži
Maksimaalne õhurõhk	Maksimalni tlak zraka	Najvišji zračni tlak	Maximálny tlak vzduchu
Töö rõhuvahemik	Radni raspon tlaka	Razpon delovnega tlaka	Rozsah prevádzkových tlakov
Manomeeter	Mjerač tlaka	Manometer	Tlakomer
Maksimaalne pöörleva vööli kiirus	Maksimalna brzina rotacije osovine	Največja hitrost vrtenja osi	Maximálne otáčky rotačného hriadeľa
Töotemperatuur	Radna temperatura	Delovna temperatura	Prevádzková teplota
Möödetud helirõhutase (müarakatse koodi viitenumber: EN ISO 2151:2008)	Izmerjena razina zvučnog tlaka (referentni broj pravila za ispitivanje buke: EN ISO 2151:2008)	Izmerjeni nivo zvočnega tlaka (eferenčna številka kode preskusa hrupa: EN ISO 2151:2008)	Meraná úroveň akustického tlaku (eferenčné číslo kódu hlukového testu: EN ISO 2151:2008)
Määramatus K	Neodređenost K	Negotovost K	Neurčitost K
Möödetud helivõimsuse tase (müarakatse koodi viitenumber: EN ISO 2151:2008)	Mért hangteljesítményszint (referentni broj pravila za ispitivanje buke: EN ISO 2151:2008)	Izmerjena raven zvočne moči (eferenčna številka kode preskusa hrupa: EN ISO 2151:2008)	Nameraná úroveň hluku (eferenčné číslo kódu hlukového testu: EN ISO 2151:2008)
Määramatus K	Neodređenost K	Negotovost K	Neurčitost K





България	Українська	Turce	Greek	
Технически характеристики	Τεχνίчні характеристики продукту	Ürün Özellikleri	Προδιαγραφές Προϊόντος	
Въздушен компресор, 18V	18 В пневматичний компресор	18V Hava kompresörü	Αεροσυμπιεστής 18 V	
Модел	Μοδελ	Model	Μοντέλο	R18AC
Номинална мощност на двигателя	Номинальна потужність двигуна	Anma motoru gücü	Ονομαστική ισχύς κινητήρα	243 W
Номинален ток	Номинальний струм	Anma akımı	Βαθμονομημένο ρεύμα	13.5 A
Въздушен извод	Вихід повітря	Hava çıkışı	Έξοδος αέρα	
Съединител Euro 1/4", мъжки Допълнителен съединител PCL високодебитен мъжки съединител 1/4" BSP (подходящ за мъжки/женски тапи 1/4" PCL "със закопчалки" и мъжки/женски тапи 1/4" PCL за голям дебит)	З'єднувальна вставна муфта європейського стандарту 1/4" Додаткова муфта: Швидкороз'ємне з'єднання (папа) PCL з вільним потоком 1/4" BSP (підходить для 1/4" PCL вставних та накидних перехідників швидкого з'єднання та 1/4" PCL вставних та накидних перехідників високого тиску)	Euro 1/4" erkek kuplör Aksesuar kuplörü: PCL yüksek akış stili erkek kuplör 1/4" BSP (1/4" PCL "aç/kapa" erkek/dişi fişler ve 1/4" PCL yüksek akış erkek/dişi fişler)	Αρσενικός σύνδεσμος Euro 1/4" Βοηθητικός σύνδεσμος: Αρσενικός σύνδεσμος PCL τύπου υψηλής ροής 1/4" BSP (κατάλληλος για αρσενικά/θηλυκά βύσματα 1/4" PCL "snap" και αρσενικά/θηλυκά βύσματα 1/4" PCL υψηλής ροής)	
Размер за бърз конектор	Розмір перехідника швидкого з'єднання	Hızlı konektör takma boyutu	Μέγεθος σύνδεσης συνδέσμου γρήγορης σύνδεσης	
Резба BSP	Британська трубна конічна різьба	BSP dişlisi	Σπείρωμα BSP	6.35 mm (1/4")
Тегло	Βαρά	Ağırlık	Βάρος	6.4 kg
Вход	Вхідний	Giriş	Είσοδος ρεύματος	18 V
Капацитет на резервоара за въздух	Ємність пневматичного резервуару	Hava deposu kapasitesi	Χωρητικότητα δεξαμενής αέρα	3.8 L
Свободно подаване на въздух	Легка подача повітря	Serbest hava iletimi	Ελεύθερη παροχή αέρα	20.5 L/min @ 2.8 bar (0.72 cfm @ 40 psi) 14.1 L/min @ 6.2 bar (0.51 cfm @ 90 psi)
Максимално подаване на въздух при налягане на резервоара 0 bar	Максимална подача повітря при нульовому тиску у резервуарі	0 bar tank basincında maksimum hava iletimi	Μέγιστη παροχή αέρα σε πίεση δοχείου 0 bar	49.6 L/min (1.75 cfm)
Максимално налягане на въздуха	Максималний тиск повітря	Maksimum hava basıncı	Μέγιστη πίεση αέρα	8 bar (116 psi)
Работен диапазон на налягане	Робочий діапазон тиску	Çalışma basıncı aralığı	Εύρος πίεσης λειτουργίας	6 - 8 bar (87 - 116 psi)
Датчик за налягане	Μανομετρ	Basınc ölçer	Μετρητής πίεσης	2 pcs, 38.1mm (1.5 in.) diameter
Максимална скорост на въртене на вала	Максимална швидкість обертання валу	Maksimum dönen mil hızı	Μέγιστη ταχύτητα περιστρεφόμενου άξονα	5400 min ⁻¹
Работна температура	Робоча температура	Çalışma sıcaklığı	Θερμοκρασία λειτουργίας	+5~+40°C
Измерено ниво на шумово налягане (референтен номер на кода за акустично изпитване: EN ISO 2151:2008)	Вимірний рівень звукової потужності (Номер посилання на код випробувань на рівень шуму: EN ISO 2151:2008)	Ölçülmüş ses basınç düzeyi (gürlütlü test kodu referans numarası: EN ISO 2151:2008)	Μετρημένο επίπεδο πίεσης ήχου (ο αριθμός αναφοράς του κωδικού της δοκιμής ήχου: EN ISO 2151:2008)	L _{WA} = 79.55 dB(A)
Промениливост (K)	Невизначеність K	Belirsizlik K	Αβεβαιότητα K	3 dB
Измерено ниво на шум (референтен номер на кода за акустично изпитване: EN ISO 2151:2008)	Вимірний рівень звукової потужності (Номер посилання на код випробувань на рівень шуму: EN ISO 2151:2008)	Ölçülen ses gücü seviyesi (gürlütlü test kodu referans numarası: EN ISO 2151:2008)	Μετρούμενη επίπεδο ισχύος ήχου (ο αριθμός αναφοράς του κωδικού της δοκιμής ήχου: EN ISO 2151:2008)	L _{WA} = 91.76 dB(A)
Промениливост (K)	Невизначеність K	Belirsizlik K	Αβεβαιότητα K	3 dB





English	Français	Deutsch	Español	Italiano
Replacement part	Pièces de rechange	Ersatzteile	Piezas de repuesto	Ricambi
Euro 1/4" male coupler	Coupleur mâle Euro 1/4 po.	Steckkoppler, Euro 1/4"	Acoplador macho de 1/4" (Euro)	Accoppiatore maschio Euro 1/4"
PCL high-flow-style male coupler	Coupleur mâle CPL à haut débit 1/4 po BSP	PCL-Hochdruck-Steckkoppelverbindung, 1/4" BSP	Acoplamiento mecho de flujo alto y PCL, 1/4" BSP	Accoppiatore maschio di tipo alto flusso PCL 1/4" BSP
Battery and charger	Batterie et chargeur	Akku und Ladegerät	Batería y cargador	Batteria e caricatore
Compatible battery pack	Blocs de batterie compatibles	Kompatible Akkus	Paquetes de batería compatibles	Gruppo batterie compatibili
Lithium-Ion	Lithium-Ion	Lithium-Ionen	ión-litio	ioni di litio
Compatible charger	Chargeurs compatibles	Kompatible Ladegeräte	Cargador compatible	Caricatore compatibile

Suomi	Norsk	Русский	Polski	Čeština
Varaosat	Reservedeler	Запасные части	Części zamienne	Náhradní díly
Euro 1/4" -urosliitin	Euro 1/4" hannkobling	Охватываемое соединение "Евро" 1/4"	Złącza męska Euro 1/4 cala	Eurospojka 1/4" z vnějším závitem
1/4" BSP -tyypin PCL-virtausliitin suurelle virtaukselle, uros	PCL hannkobling 1/4" BSP med høy flow	Охватываемый соединитель шлангов высокого давления, ПКЛ, 1/4" BSP	Szybkoprzepływowe złącze męskie PCL, 1/4" BSPS	Spojka PCL, BSP 1/4" pro vysoký průtok s vnějším závitem
Akku ja laturi	Batteri og lader	Акумуляторная батарея и зарядное устройство	Akumulator i ładowarka	Nabíječka a baterie
Yhteensopivat akut	Kompatible batteripakker	Совместимая аккумуляторная батарея	Pasujące akumulatory	Kompatibilní akumulátory
Litiumioni	Litium-Ion	Литий-ионная аккумуляторная батарея	Li-Ion	Lithium iontový akumulátor
Yhteensopiva laturi	Kompatibel lader	Совместимое зарядное устройство	Zgodna ładowarka	Kompatibilní nabíječka





Nederlands	Português	Dansk	Svenska	
Vervangende onderdelen	Peças sobresselentes	Reserve dele	Reservdelar	
Euro 1/4" mannelijke koppeling	Engate macho Euro de 1/4"	Euro 1/4" hankobling	Hankoppling, 6,35 mm	5131042508
Mannelijke PCL-koppeling voor hoge stroomsnelheid, 1/4 inch BSP	Engate de PCL macho de fluxo elevado, 1/4" BSP	PCL hankobling 1/4" BSP med højt flow	PCL-koppling med hög flödesstil, hane, 1/4 tum BSP	5131042509
Accu en oplader	Bateria e carregador	Batteri og oplader	Batteri och batteriladdare	
Compatibele accupacks	Baterias compatíveis	Kompatible batterier	Kompatibla batteripaket	
Lithium-ion	lão-Lítio	Lithium-ion	Litiumjon	RB18L13 RB18L15 RB18L15B RB18L20 RB18L25 RB18L30 RB18L40 RB18L50 RB18L90
Compatibele oplader	Carregador compatível	Kompatibel oplader	Kompatibel laddare	BCL14181H BCL14183H RC18150 RC18627 RC18115 RC18120 RC18118C

Magyar	Română	Latviski	Lietuviškai	
Cserealkatrészek	Piese de schimb	Atsarginės dalys	Atsarginės dalys	
Euro 1/4" csatlakozódugó	Cuplor tip tată, Euro 1/4"	„Euro“ 1/4 col. apgaubiamoji jungtis	„Euro“ 1/4 col. apgaubiamoji jungtis	5131042508
PCL high-flow-style férfi csatlakozó 1/4" BSP	Cuplor tip „tată“ pentru debit mare, PCL 1/4" BSP	PCL greitoji apgaubiamoji pneumatinė jungtis, 1/4 col. BSP	PCL greitoji apgaubiamoji pneumatinė jungtis, 1/4 col. BSP	5131042509
Akkumulátor és töltő	Bateria și încărcătorul	Akumulators un lādētājs	Akumulatorius ir įkroviklis	
Kompatibilis akkumulátorok	Acumulatori compatibili	Savietojami akumulatoru komplekti	Suderinami baterijos paketai	
Lítiumion	Lítium-ion	Lítium-jonu	Lítium-jonas	RB18L13 RB18L15 RB18L15B RB18L20 RB18L25 RB18L30 RB18L40 RB18L50 RB18L90
Kompatibilis töltő	Încărcător compatibil	Saderīgs lādētājs	Suderinamas įkroviklis	BCL14181H BCL14183H RC18150 RC18627 RC18115 RC18120 RC18118C

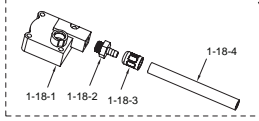
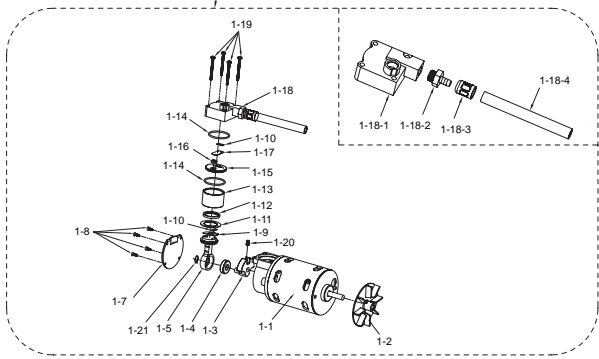
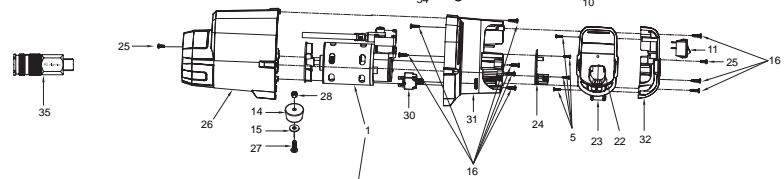
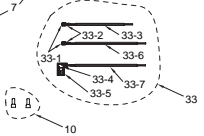
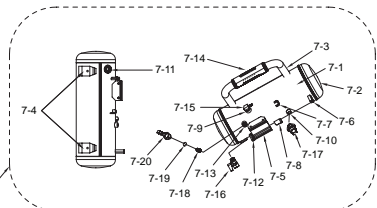
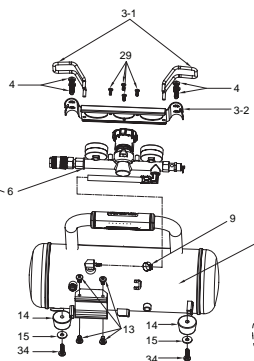
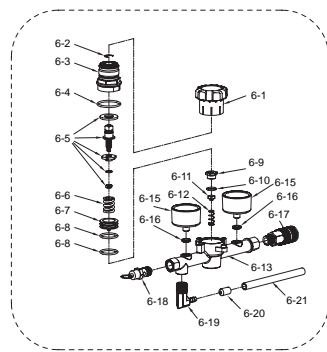




Eesti	Hrvatski	Slovensko	Slovenčina
Varuosad	Zamjenski dijelovi	Vymeniteľné diely	Nadomestni deli
Pistiktüüpi 1/4" eurolitmik	Muška spojnica Euro 1/4"	Moška spojka Euro 1/4"	Zástrčková euro spojka 1/4"
PCL kiire vooluga siseliitmik 1/4" BSP	PCL muška spojnica brzog protoka od 1/4" BSP	Moška visokopretočna spojka PCL 1/4" BSP	PLC spojka s vonkajšim závitom 1/4" BSP pre vysoký prietok
Aku ja laadija	Baterija i punjač	Baterija in polnilnik	Akumulátor a nabíjačka
Ühilduvad akupaketid	Kompatibilna pakiranja baterija	Združljive baterije	Kompatibilné jednotky akumulátorov
Liitiumioon	Litij-ion	Litij-ionska	Liitium-iónová
Ühilduv laadija	Kompatibilni punjači	Združljiv polnilec	Kompatibilná nabíjačka



България	Українська	Turce	Greek	
Резервни части	Запасні частини	Yedek parçalar	Ανταλλακτικά	
Съединител Euro 1/4", мъжки	З'єднувальна вставна муфта європейського стандарту 1/4"	Euro 1/4" erkek kuplör	Αρσενικός σύνδεσμος Euro 1/4"	5131042508
PCL високодебитен мъжки съединител 1/4" BSP	Швидкороз'ємне з'єднання (папа) PCL з вільним потоком 1/4" BSP	PCL yüksek akış stili erkek kuplör 1/4" BSP	Αρσενικός σύνδεσμος PCL τύπου υψηλής ροής 1/4" BSP	5131042509
Батерия и зарядно устройство	Акумулятор і зарядний пристрій	Pil ve şarj cihazı	Μπαταρία και φορτιστής	
Съвместими батерии	Сумісні акумуляторні блоки	Uyumlu pil takımları	Συμβατή μπαταρία	
Литиево-йонна	Літій-іонний	Lityum-lyon	Λιθίου-Ιόντων	RB18L13 RB18L15 RB18L15B RB18L20 RB18L25 RB18L30 RB18L40 RB18L50 RB18L90
Съвместимо зарядно устройство	Сумісний зарядний пристрій	Uyumlu şarj cihazı	Συμβατος φορτιστης	BCL14181H BCL14183H RC18150 RC18627 RC18115 RC18120 RC18118C



(EN) PARTS LIST

No.	Description	No.	Description	No.	Description	No.	Description
1	Pump/Motor assembly	3-1	Control panel wire	7-1	1.8*293*376mm steel sheet	16	M4*1.5*16 self tapping screw
1-1	Motor	3-2	Control panel	7-2	1.8*167*1005mm steel sheet	22	R18AC-0 Battery foot
1-2	Fan	4	M6*16M self tapping screw	7-3	Handle	23	R18AC-0 Battery terminal 0013PA66+25%gf
1-3	Counterbalance	5	M3*12 self tapping screw	7-4	Tank feet	23-1	R18AC-0 battery terminal right
1-4	Bearing	6	R18AC-0 Regulator assembly	7-5	Motor bracket	23-2	R18AC-0 battery terminal left
1-5	Connecting rod	6-1	Regulator knob	7-6	Retaining bracket 1	24	PCBA
1-7	Anti-noise cover	6-2	φ1*φ10.8 spring	7-7	Retaining bracket 2	25	M4*0.8*10 screw
1-8	M3*10 screw	6-3	Regulating valve cover	7-8	Retaining bracket 4	26	R18AC-0 Shroud (back)
1-9	FP2040 Reed valve	6-4	φ27.8*φ2.0 O ring	7-9	FP2040 exhaust nut	27	M6*1.0*25 screw
1-10	3310 Copper	6-5	R18AC-0 Regulator valve column assembly	7-10	Intake nut	28	M6 nut
1-11	Piston	6-6	φ3*20.5 Spring	7-11	R18AC-0 nut	29	M4*0.7 screw
1-12	Teflon retaining ring	6-7	Regulating valve piston	7-12	Retaining bracket 3	30	15A overload protector
1-13	Cylinder tube	6-8	φ21.2*φ2.5 O ring	7-13	Check valve nut	31	R18AC-0 Shroud (middle)
1-14	FP2040 φ31.5*2 Rubber seal	6-9	Adjustable nut	7-14	Handle grip	32	R18AC-0 Shroud (front)
1-15	Cylinder head set	6-10	φ11.2*φ1.8 O ring	7-15	Elbow	33	R18AC-0 Wire assembly
1-16	Teflon gasket	6-11	7.4*5.8 Rubber plug	7-16	Drain valve	33-1	Terminal
1-17	Reed valve	6-12	φ5.6*φ0.8 Spring	7-17	Pressure switch (6-8bar)	33-2	Heat shrinkable sleeve (φ8.0*25mm)
1-18	R18AC-0 Cylinder head + hose assembly	6-13	Regulator body	7-18	Spring	33-3	16AWG Red wire
1-18-1	Cylinder head	6-15	1.5" 210PSI Plastic air compressor gauge	7-19	Rubber plug	33-4	250 PVC Sleeves
1-18-2	Intake copper head	6-16	8mm washer	7-20	R18AC-0 Check valve copper	33-5	75176-2 Terminal
1-18-3	Iron loop	6-17	Euro ¼" male coupler	9	Clip	33-6	16AWG Red wire
1-18-4	10.5*90 mm hose	6-18	Safety valve	10	Terminal	33-7	16AWG Red wire
1-19	M4*0.7*40 screw	6-19	Elbow	11	31*13.5 ON/OFF switch	34	M6*1.0*20 Screw
1-20	M5*0.8*8 screw	6-20	0.3*11*13 Aluminium tube	13	ST6*10mm Self tapping screw	35	PCL High flow style male coupler 1/4
1-21	8 mm Ring	6-21	10.5*99mm Hose	14	R18AC-0 Rubber feet		
3	Control panel assembly	7	R18AC-0 Tank Paint ROHS / PRO65	15	6.5*17 mm washer		

(FR) LISTE DES PIÈCES

N°	Description	N°	Description	N°	Description	N°	Description
1	Ensemble moteur/ pompe	3-1	Câble du panneau de commande	7-1	1.8*293*376mm Tôle d'acier	16	M4*1.5*16 Vis autoperceuse
1-1	Moteur	3-2	Panneau de commande	7-2	1.8*167*1005mm Tôle d'acier	22	R18AC-0 Support de batterie
1-2	Ventilateur	4	M6*16M Vis autoperceuse	7-3	Poignée	23	R18AC-0 Borne de batterie 13PA66+25%gf
1-3	Contrepoids	5	M3*12 Vis autoperceuse	7-4	Support de réservoir	23-1	R18AC-0 Borne de batterie droite
1-4	Palier	6	R18AC-0 Ensemble régulateur	7-5	Support moteur	23-2	R18AC-0 Borne de batterie gauche
1-5	Bielle	6-1	Bouton de régulation	7-6	Étrier de retenue 1	24	PCBA
1-7	Couvercle anti-bruit	6-2	φ1*φ10.8 Ressort	7-7	Étrier de retenue 2	25	M4*0.8*10 Vis
1-8	M3*10 Vis	6-3	Couvercle de la vanne de régulation	7-8	Étrier de retenue 4	26	R18AC-0 Capot (arrière)
1-9	FP2040 Soupape à clapet	6-4	φ27.8*φ2.0 Joint torique	7-9	FP2040 Écrous auto- bloquants	27	M6*1.0*25 Vis
1-10	3310 Cuivre	6-5	R18AC-0 Ensemble colonne valve de régulation	7-10	Écrou d'entrée	28	M6 Ecrou
1-11	Piston	6-6	φ3*20.5 Ressort	7-11	R18AC-0 Ecrou	29	M4*0.7 Vis
1-12	Anneau de retenu en téflon	6-7	Piston de soupape de régulation	7-12	Étrier de retenue 3	30	15A Limiteur de surcharge
1-13	Tube cylindrique	6-8	φ21.2*φ2.5 Joint torique	7-13	Clapet anti-retour	31	R18AC-0 Capot (milieu)
1-14	FP2040 φ31.5*2 Joint en caoutchouc	6-9	Écrou réglable	7-14	Poignée	32	R18AC-0 Capot (avant)
1-15	Capuchon cylindrique	6-10	φ11.2*φ1.8 Joint torique	7-15	Coude	33	R18AC-0 Ensemble de câbles
1-16	Joint en téflon	6-11	7.4*5.8 Bouchon en caoutchouc	7-16	Robinet de purge	33-1	Borne
1-17	Soupape à clapet	6-12	φ5.6*φ0.8 Ressort	7-17	Pressostat (6-8bar)	33-2	Manchon thermorétractable (φ8.0*25mm)
1-18	R18AC-0 Ensemble tuyau flexible + capuchon cylindrique	6-13	Corps de régulateur	7-18	Ressort	33-3	16AWG Câble rouge
1-18-1	Capuchon cylindrique	6-15	1.5" 210PSI Manomètre du compresseur à air en plastique	7-19	Bouchon en caoutchouc	33-4	250 Manchon en PVC
1-18-2	Tête en cuivre d'entrée	6-16	8mm Rondelle	7-20	R18AC-0 Clapet anti-retour en cuivre	33-5	75176-2 Borne
1-18-3	Boucle en fer	6-17	Coupleur mâle Euro 1/4 po.	9	Manchon thermorétractable	33-6	16AWG Câble rouge
1-18-4	10.5*90 mm Tuyau flexible	6-18	Soupape de sécurité	10	Borne	33-7	16AWG Câble rouge
1-19	M4*0.7*40 Vis	6-19	Coude	11	31*13.5 Interrupteur marche/arrêt	34	M6*1.0*20 Vis
1-20	M5*0.8*8 Vis	6-20	0.3*11*13 Tube en aluminium	13	ST6*10mm Vis autoperceuse	35	Coupleur mâle CPL à haut débit 1/4 po
1-21	8 mm Bague	6-21	10.5*99mm Tuyau flexible	14	R18AC-0 Pieds en caoutchouc		
3	Ensemble de panneau de contrôle	7	R18AC-0 Peinture de réservoir ROHS/PRO65	15	6.5*17 mm Rondelle		

(DE) TEILELISTE

Nr.	Beschreibung	Nr.	Beschreibung	Nr.	Beschreibung	Nr.	Beschreibung
1	Pumpen-/ Motoreinheit	3-1	Bedienfeldkabel	7-1	1.8*293*376mm Stahlbech	16	M4*1.5*16 Blechschaube
1-1	Motor	3-2	Bedienfeld	7-2	1.8*167*1005mm Stahlbech	22	R18AC-0 Batteriesockel
1-2	Gebläse	4	M6*16M Blechschaube	7-3	Griff	23	R18AC-0 Batterieanschluss 0013PA66+25%gf
1-3	Gegengewicht	5	M3*12 Blechschaube	7-4	Tankfüße	23-1	R18AC-0 Batterieanschluss rechts
1-4	Lager	6	R18AC-0 Reglereinheit	7-5	Motorträger	23-2	R18AC-0 Batterieanschluss links
1-5	Zugstange	6-1	Reglerknopf	7-6	Halteklammer 1	24	PCBA
1-7	Geräuschabdeckung	6-2	φ1*φ10.8 Feder	7-7	Halteklammer 2	25	M4*0.8*10 Schrauben
1-8	M3*10 Schrauben	6-3	Reglerventilab- deckung	7-8	Halteklammer 4	26	R18AC-0 Umhüllung (hinten)
1-9	FP2040 Membranventil	6-4	φ27.8*φ2.0 O-Ring	7-9	FP2040 Auspuffmutter	27	M6*1.0*25 Schrauben
1-10	3310 Kupfer	6-5	R18AC-0 Reglerventil- Säuleneinheit	7-10	Einlassmutter	28	M6 Mutter
1-11	Kolben	6-6	φ3*20.5 Feder	7-11	R18AC-0 Mutter	29	M4*0.7 Schrauben
1-12	Teflon-Sicherungsring	6-7	Regelventilkolben	7-12	Halteklammer 3	30	15A Überlastschutz
1-13	Zylinderrohr	6-8	φ21.2*φ2.5 O-Ring	7-13	Sperrventilmutter	31	R18AC-0 Umhüllung (Mitte)
1-14	FP2040 φ31.5*2 Dichtungsgummi	6-9	Justiermutter	7-14	Lenkergriff	32	R18AC-0 Umhüllung (vorne)
1-15	Zylinderkopfsatz	6-10	φ11.2*φ1.8 O-Ring	7-15	Kniestück	33	R18AC-0 Kabelbaum
1-16	Teflon-Dichtung	6-11	7.4*5.8 Gummipfropfen	7-16	Ablassventil	33-1	Anschluss
1-17	Membranventil	6-12	φ5.6*φ0.8 Feder	7-17	Ein-/Ausschalter (6-8bar)	33-2	Clip (φ8.0*25mm)
1-18	R18AC-0 Zylinderkopf + Schlaueinheit	6-13	Reglergehäuse	7-18	Feder	33-3	16AWG Rotes Kabel
1-18-1	Zylinderkopf	6-15	1.5" 210PSI Plastik- Luftkompressor	7-19	Gummipfropfen	33-4	250 PVC-Schläuche
1-18-2	Kupfer-Einlasskopf	6-16	Unterlegscheibe 8mm	7-20	R18AC-0 Kupfer- Sperrventil	33-5	75176-2 Anschluss
1-18-3	Eisenring	6-17	Steckkoppler, Euro 1/4"	9	Clip	33-6	16AWG Rotes Kabel
1-18-4	10.5*90 mm Schlauch	6-18	Sicherheitsventil	10	Anschluss	33-7	16AWG Rotes Kabel
1-19	M4*0.7*40 Schrauben	6-19	Kniestück	11	31*13.5 Ein-/Ausschalter	34	M6*1.0*20 Schrauben
1-20	M5*0.8*8 Schrauben	6-20	0.3*11*13 Aluminiumrohr	13	ST6*10mm Blechschaube	35	PCL-Hochdruck- Steckkoppelver- bindung, 1/4"
1-21	8 mm Ring	6-21	10.5*99mm Schlauch	14	R18AC-0 Gummifüße		
3	Bedienfeldeinheit	7	R18AC-0 Tankfarbe ROHS/PRO65	15	6.5*17 mm Unterlegscheibe		

(ES) LISTA DE PIEZAS

N.º	Descripción	N.º	Descripción	N.º	Descripción	N.º	Descripción
1	Conjunto de bomba/motor	3-1	Cable del panel de control	7-1	1.8*293*376mm Lámina de acero	16	M4*1.5*16 tornillo autorroscante
1-1	Motor	3-2	Panel de control	7-2	1.8*167*1005mm Lámina de acero	22	R18AC-0 Pata de soporte de la batería
1-2	Ventilador	4	M6*16M tornillo autorroscante	7-3	Mango	23	R18AC-0 Terminal de la batería 0013PA66+25%gf
1-3	Contrapeso	5	M3*12 tornillo autorroscante	7-4	Patatas de soporte del depósito	23-1	R18AC-0 terminal de la batería (lado derecho)
1-4	Cojinete	6	R18AC-0 Conjunto del regulador	7-5	Soporte del motor	23-2	R18AC-0 terminal de la batería (lado izquierdo)
1-5	Biela	6-1	Mando del regulador	7-6	Soporte de fijación 1	24	PCBA
1-7	Cubierta antirruído	6-2	φ1*φ10.8 Resorte	7-7	Soporte de fijación 2	25	M4*0.8*10 Tornillo
1-8	M3*10 Tornillo	6-3	Cubierta de la válvula de regulación	7-8	Soporte de fijación 4	26	R18AC-0 Cubierta (negra)
1-9	FP2040 Válvula de bobina de admisión	6-4	φ27.8*φ2.0 Junta tórica	7-9	FP2040 tuerca de escape	27	M6*1.0*25 Tornillo
1-10	3310 Cobre	6-5	R18AC-0 Conjunto de la columna de la válvula del regulador	7-10	Tuerca de admisión	28	M6 Tuerca
1-11	Pistón	6-6	φ3*φ20.5 Resorte	7-11	R18AC-0 Tuerca	29	M4*0.7 Tornillo
1-12	Anillo de fijación de teflón	6-7	Pistón de la válvula de regulación	7-12	Soporte de fijación 3	30	15A protector contra sobrecargas
1-13	Tubo cilíndrico	6-8	φ21.2*φ2.5 Junta tórica	7-13	Tuerca de la válvula de retención	31	R18AC-0 Cubierta (central)
1-14	FP2040 φ31.5*2 Sello de goma	6-9	Tuerca ajustable	7-14	Mango	32	R18AC-0 Cubierta (delantera)
1-15	Juego de culata	6-10	φ11.2*φ1.8 Junta tórica	7-15	Codo	33	R18AC-0 Conjunto de cables
1-16	Junta de teflón	6-11	7.4*5.8 Gummipfropfen	7-16	Válvula de drenaje	33-1	Terminal
1-17	Válvula de bobina de escape	6-12	φ5.6*φ0.8 Resorte	7-17	Presóstato (6-8bar)	33-2	Manguito termorretráctil (φ8.0*25mm)
1-18	R18AC-0 Conjunto de culata + manguera	6-13	Cuerpo del regulador	7-18	Resorte	33-3	16AWG Cable rojo
1-18-1	Culata	6-15	1.5" 210PSI Indicador del compresor de aire de plástico	7-19	Tapón de goma	33-4	250 Manguitos de PVC
1-18-2	Cabezal de admisión de cobre	6-16	8mm Unterlegscheibe	7-20	R18AC-0 Válvula de retención de cobre	33-5	75176-2 Terminal
1-18-3	Bucle de hierro	6-17	Acoplador macho de 1/4" (Euro)	9	Manguito termorretráctil	33-6	16AWG Cable rojo
1-18-4	10.5*90 mm manguera	6-18	Válvula de seguridad	10	Terminal	33-7	16AWG Cable rojo
1-19	M4*0.7*40 Tornillo	6-19	Codo	11	31*13.5 Interruptor de encendido/apagado	34	M6*1.0*20 Tornillo
1-20	M5*0.8*8 Tornillo	6-20	0.3*11*13 Tubo de aluminio	13	ST6*10 mm tornillo autorroscante	35	Acoplamiento mecho de flujo alto y PCL, 1/4"
1-21	8 mm Anillo	6-21	10.5*99mm manguera	14	R18AC-0 Patas de goma		
3	Conjunto del panel de control	7	R18AC-0 Pintura del depósito ROHS/PRO65	15	6.5*17 mm Unterlegscheibe		

(IT) ELENCO PEZZI

N.	Descrizione	N.	Descrizione	N.	Descrizione	N.	Descrizione
1	gruppo pompa/ motore	3-1	Filo del pannello di controllo	7-1	1.8*293*376mm Lastra d'acciaio	16	M4*1.5*16 vite autofilettante
1-1	Motore	3-2	Pannello di controllo	7-2	1.8*167*1005mm Lastra d'acciaio	22	R18AC-0 Piede batteria
1-2	Ventola	4	M6*16M vite autofilettante	7-3	Manico	23	R18AC-0 Terminale batteria 0013PA66+25%gf
1-3	Contrappeso	5	M3*12 vite autofilettante	7-4	Piede serbatoio	23-1	R18AC-0 terminale batteria destro
1-4	Cuscinetto	6	R18AC-0 Gruppo regolatore	7-5	Staffa motore	23-2	R18AC-0 terminale batteria sinistro
1-5	Biella	6-1	Manopola di regolazione	7-6	Staffa di fissaggio 1	24	PCBA
1-7	Protezione antirumore	6-2	φ1*φ10.8 Molla	7-7	Staffa di fissaggio 2	25	M4*0.8*10 Viti
1-8	M3*10 Viti	6-3	Protezione valvola di regolazione	7-8	Staffa di fissaggio 4	26	R18AC-0 Lamella (posteriore)
1-9	FP2040 Valvola lamellare	6-4	φ27.8*φ2.0 O ring	7-9	FP2040 Dado di scarico	27	M6*1.0*25 Viti
1-10	3310 Rame	6-5	R18AC-0 Gruppo colonna valvola di regolazione	7-10	Dado di aspirazione	28	M6 Dado
1-11	Pistone	6-6	φ3*20.5 Molla	7-11	R18AC-0 Dado	29	M4*0.7 Viti
1-12	Anello di tenuta in teflon	6-7	Pistone valvola di regolazione	7-12	Staffa di fissaggio 3	30	15A Protezione da sovraccarichi
1-13	Tubo cilindrico	6-8	φ21.2*φ2.5 O ring	7-13	Dado valvola di ritegno	31	R18AC-0 Lamella (centrale)
1-14	FP2040 φ31.5*2 Tenuta in gomma	6-9	Dado regolabile	7-14	Presca maniglia	32	R18AC-0 Lamella (anteriore)
1-15	Gruppo testata	6-10	φ11.2*φ1.8 O ring	7-15	Gomito	33	R18AC-0 Gruppo fili
1-16	Guarnizione in teflon	6-11	7.4*5.8 Tappo in gomma	7-16	Valvola di scolo	33-1	Terminale
1-17	Valvola lamellare	6-12	φ5.6*φ0.8 Molla	7-17	Interruttore pressione (6-8bar)	33-2	tubo termoretraibile (φ8.0*25mm)
1-18	R18AC-0 Gruppo testata + tubo flessibile	6-13	Corpo regolatore	7-18	Molla	33-3	16AWG Filo rosso
1-18-1	Testata	6-15	1.5" 210PSI Manometro compressore dell'aria in plastica	7-19	Tappo in gomma	33-4	250 Manicotti in PVC
1-18-2	Testata di aspirazione in rame	6-16	8mm Rondella	7-20	R18AC-0 Valvola di controllo in rame	33-5	75176-2 Terminale
1-18-3	Circuito di ferro	6-17	Accoppiatore maschio Euro 1/4"	9	tubo termoretraibile	33-6	16AWG Filo rosso
1-18-4	10.5*90 mm tubo flessibile	6-18	Valvola di sicurezza	10	Terminale	33-7	16AWG Filo rosso
1-19	M4*0.7*40 Viti	6-19	Gomito	11	31*13.5 Interruttore On/Off (Acceso/Spento)	34	M6*1.0*20Viti
1-20	M5*0.8*8 Viti	6-20	0.3*11*13 Tubo in alluminio	13	ST6*10 mm vite autofilettante	35	Accoppiatore maschio di tipo alto flusso PCL 1/4"
1-21	8 mm Anello	6-21	10.5*99mm tubo flessibile	14	R18AC-0 Piedi in gomma		
3	Gruppo pannello di controllo	7	R18AC-0 Vernice serbatoio ROHS/PRO65	15	6.5*17 mm Rondella		

(NL) ONDERDELENLIJST

Nr.	Beschrijving	Nr.	Beschrijving	Nr.	Beschrijving	Nr.	Beschrijving
1	Pomp/motor	3-1	Draad van bedieningspaneel	7-1	1.8*293*376mm Stalen plaat	16	M4*1.5*16 tapschroef
1-1	Motor	3-2	Bedieningspaneel	7-2	1.8*167*1005mm Stalen plaat	22	R181AC-0 Onderkant van batterij
1-2	Ventilator	4	M6*16M tapschroef	7-3	Handvat	23	R18AC-0 Batterijklem 0013PA66+25%gf
1-3	Contragewicht	5	M3*12 tapschroef	7-4	Onderkant van tank	23-1	R18AC-0 batterijklem rechts
1-4	Lager	6	R18AC-0 Regelaar	7-5	Motorsteun	23-2	R18AC-0 batterijklem links
1-5	Verbindingsstang	6-1	Knop van regelaar	7-6	Borgchip 1	24	PCBA
1-7	Geluidswerende kap	6-2	φ1*φ10.8 Veer	7-7	Borgchip 2	25	M4*0.8*10 Schroeven
1-8	M3*10 Schroeven	6-3	Kap van regelklep	7-8	Borgchip 4	26	R18AC-0 Behuizing (achterkant)
1-9	FP2040 Inlaatopeningen	6-4	φ27.8*φ2. O-ring	7-9	FP2040 moer van uitlaat	27	M6*1.0*25 Schroeven
1-10	3310 Koper	6-5	R18AC-0 Kolom van regelklep	7-10	Moer van inlaat	28	M6 Moer
1-11	Zuiger	6-6	φ3*20.5 Veer	7-11	R18AC-0 Moer	29	M4*0.7 Schroeven
1-12	Teflon-borgring	6-7	Zuiger van regelklep	7-12	Borgchip 3	30	15A bescherming tegen overbelasting
1-13	Cilinderbuis	6-8	φ21.2*φ2.5 O-ring	7-13	Moer van terugslagklep	31	R18AC-0 Behuizing (midden)
1-14	FP2040 φ31.5*2 Rubberafdichting	6-9	Stelmoer	7-14	Handgreep	32	R18AC-0 Behuizing (voor)
1-15	Cilinderkopset	6-10	φ11.2*φ1.8 O-ring	7-15	Elleboog	33	R18AC-0 Bedrading
1-16	Teflon pakking	6-11	7.4*5.8 Rubberen plug	7-16	Aflaatklep	33-1	Klem
1-17	Uitlaatopeningen	6-12	φ5.6*φ0. Veer	7-17	(6-8bar) Drukschakelaar	33-2	Klem (φ8.0*25mm)
1-18	R18AC-0 Cilinderkop + slang	6-13	Romp van regelaar	7-18	Veer	33-3	16AWG Rode draad
1-18-1	Cilinderkop	6-15	1.5" 210PSI Kunststof meter van luchtcompressor	7-19	Rubberen plug	33-4	250 Pvc-moffen
1-18-2	Koperen kop van inlaat	6-16	8mm Sluistring	7-20	R18AC-0 Terugslagventiel koper	33-5	75176-2 Klem
1-18-3	Lus, ijzer	6-17	Euro 1/4" mannelijke koppeling	9	Klem	33-6	16AWG Rode draad
1-18-4	10.5*90 mm slang	6-18	Veiligheidsklep	10	Klem	33-7	16AWG Rode draad
1-19	M4*0.7*40 Schroeven	6-19	Elleboog	11	31*13.5 Aan-/uitschakelaar	34	M6*1.0*20 Schroeven
1-20	M5*0.8*8 Schroeven	6-20	0.3*11*13 Aluminium plaat	13	ST6*10mm tapschroef	35	Mannelijke PCL-koppeling voor hoge stroomsnelheid, 1/4 inch
1-21	8 mm Ring	6-21	10.5*99mm slang	14	R18AC-0 Rubberen voetje		
3	Bedieningspaneel	7	R18AC-0 Lak van tank, ROHS/PRO65	15	6.5*17 mm Sluistring		

(PT) LISTA DE PEÇAS

N.º	Descrição	N.º	Descrição	N.º	Descrição	N.º	Descrição
1	Bomba/Conjunto do motor	3-1	Cabo do painel de controlo	7-1	1.8*293*376mm Folha de aço	16	M4*1.5*16 Parafuso autorroscante
1-1	Motor	3-2	Painel de controlo	7-2	1.8*167*1005mm Folha de aço	22	R18AC-0 Pé da bateria
1-2	Ventoinha	4	M5*16M Parafuso autorroscante	7-3	Manípulo	23	R18AC-0 Terminal da bateria 013PA66+25%gf
1-3	Contrapeso	5	M3*12 Parafuso autorroscante	7-4	Pés do depósito	23-1	R18AC-0 Terminal da bateria direito
1-4	Rolamento	6	R18AC-0 Conjunto do regulador	7-5	Suporte do motor	23-2	R18AC-0 Terminal da bateria esquerdo
1-5	Haste de ligação	6-1	Botão regulador	7-6	Suporte de retenção 1	24	PCBA
1-7	Tampa antirruído	6-2	φ1*φ10.8 Mola	7-7	Suporte de retenção 2	25	M4*0.8*10Parafuso
1-8	M3*10Parafuso	6-3	Tampa da válvula reguladora	7-8	Suporte de retenção 4	26	R18AC-0 Invólucro (traseiro)
1-9	FP2040 Válvula de palheta	6-4	φ27.8*φ2.0 O-ring	7-9	FP2040 Porca de escape	27	M6*1.0*25Parafuso
1-10	3310 Cobre	6-5	R18AC-0 Conjunto da coluna da válvula reguladora	7-10	Porca de admissão	28	M6 Porca
1-11	Êmbolo	6-6	φ3*φ20.5 Mola	7-11	R18AC-0 Porca	29	M4*0.7Parafuso
1-12	Anel de fixação em Teflon	6-7	Pistão da válvula reguladora	7-12	Suporte de retenção 3	30	15A Protetor de sobrecarga
1-13	Tubo cilíndrico	6-8	φ21.2*φ2.5 O-ring	7-13	Porca da válvula de retenção	31	R18AC-0 Invólucro (intermédio)
1-14	FP2040 φ31.5*2 Vedante de borracha	6-9	Porca regulável	7-14	Manípulo da pega	32	R18AC-0 Invólucro (dianteiro)
1-15	Conjunto da cabeça do cilindro	6-10	φ11.2*φ1.8 O-ring	7-15	Cotovelo	33	R18AC-0 Conjunto de fios
1-16	Junta de Teflon	6-11	7.4*5.8 Bujão de borracha	7-16	Válvula de drenagem	33-1	Terminal
1-17	Válvula de palheta	6-12	φ5.6*φ0.8 Mola	7-17	Pressóstato (6-8bar)	33-2	Manga termorretrátil (φ8.0*25mm)
1-18	R18AC-0 Cabeça do cilindro + conjunto de tubos	6-13	Corpo do regulador	7-18	Mola	33-3	16AWG Cabo vermelho
1-18-1	Cabeça do cilindro	6-15	1.5" 210PSI Medidor do compressor de ar em plástico	7-19	Bujão de borracha	33-4	250 Mangas em PVC
1-18-2	Cabeça de admissão em cobre	6-16	8mm Arruela	7-20	R18AC-0 Válvula de retenção em cobre	33-5	75176-2 Terminal
1-18-3	Aro em ferro	6-17	Engate macho Euro de 1/4"	9	Manga termorretrátil	33-6	16AWG Cabo vermelho
1-18-4	10.5*90 mm Tubo	6-18	Válvula de segurança	10	Terminal	33-7	16AWG Cabo vermelho
1-19	M4*0.7*40Parafuso	6-19	Cotovelo	11	31*13.5 Interruptor desligado/ligado	34	M6*1.0*20Parafuso
1-20	M4*0.8*8Parafuso	6-20	0.3*11*13 Tubo de alumínio	13	ST6*10 mm Parafuso autorroscante	35	Engate de PCL macho de fluxo elevado, 1/4"
1-21	8 mm Anel	6-21	10.5*99mm Tubo	14	R18AC-0 Pés de borracha		
3	Conjunto do painel de controlo	7	R18AC-0 Tinta do depósito ROHS/PRO65	15	6.5*17 mm Arruela		

(DA) LISTE OVER DELE

Nr.	Beskrivelse	Nr.	Beskrivelse	Nr.	Beskrivelse	Nr.	Beskrivelse
1	Pumpe-/ Motormontering	3-1	Kontrolpanel- sledning	7-1	1.8*293*376mm Metalplade	16	M4*1.5*16 selvskærende skrue
1-1	Motor	3-2	Betjeningspanel	7-2	1.8*167*1005mm Metalplade	22	R18AC-0 Batterifod
1-2	Blæser	4	M6*16M selvskærende skrue	7-3	Håndtag	23	R18AC-0 Batteriterminal 0013PA66+25%gf
1-3	Modvægt	5	M3*12 selvskærende skrue	7-4	Tankfodder	23-1	R18AC-0 Batteriterminal højre
1-4	Leje	6	R18AC-0 Regulator- montering	7-5	Motorbeslag	23-2	R18AC-0 Batteriterminal venstre
1-5	Tilslutningsstang	6-1	Regulatorknop	7-6	Fastgørelsesbeslag 1	24	PCBA
1-7	Lyddæpende afdækning	6-2	φ1*φ10.8 Fjeder	7-7	Fastgørelsesbeslag 2	25	M4*0.8*10 Skruer
1-8	M3*10 Skruer	6-3	Dæksel til reguleringsventil	7-8	Fastgørelsesbeslag 4	26	R18AC-0 Afskærmning (bagtil)
1-9	FP2040 Bladventil	6-4	φ27.8*φ2.0 O-ring	7-9	FP2040 udstødningsmøtrik	27	M6*1.0*25 Skruer
1-10	3310 Kobber	6-5	R18AC-0 Regulatorventil søjlemontering	7-10	Indsugning møtrik	28	M6 Møtrik
1-11	Stempel	6-6	φ3*20.5 Fjeder	7-11	R18AC-0 Møtrik	29	M4*0.7 Skruer
1-12	Holdering i teflon	6-7	Stempel til reguleringsventil	7-12	Fastgørelsesbeslag 3	30	15A overbelastnings- beskytter
1-13	Cylinderrør	6-8	φ21.2*φ2.5 O-ring	7-13	Kontrolventil møtrik	31	R18AC-0 Klæde (midte)
1-14	FP2040 φ31.5*2 Gummipakning	6-9	Justerbar møtrik	7-14	Gribehåndtag	32	R18AC-0 Klæde (front)
1-15	Cylinderhovedsæt	6-10	φ11.2*φ1.8 O-ring	7-15	Bøjning	33	R18AC-0 Trådmontering
1-16	Teflonpakning	6-11	7.4*5.8 Gummiprop	7-16	Aftapningsventil	33-1	Terminal
1-17	Bladventil	6-12	φ5.6*φ0.8 Fjeder	7-17	Pressostat (6-8bar)	33-2	Varmekrypemuffe *25mm)
1-18	R18AC-0 Cylinderhoved + slangesamling	6-13	Regulatorhus	7-18	Fjeder	33-3	16AWG Rød ledning
1-18-1	Cylinderhoved	6-15	1.5" 210PSI Luftkompressor- måler i Plast	7-19	Gummiprop	33-4	250 PVC-ærmer
1-18-2	Indsugning kobberhoved	6-16	8mm Spændeskive	7-20	R18AC-0 Indsugning splinter	33-5	75176-2 Terminal
1-18-3	Jernring	6-17	Euro 1/4" hankobling	9	Varmekrypemuffe	33-6	16AWG Rød ledning
1-18-4	10.5*90 mm slange	6-18	Sikkerhedsventil	10	Terminal	33-7	16AWG Rød ledning
1-19	M4*0.7*40 Skruer	6-19	Bøjning	11	31*13.5 Tænd/Sluk-kontakt	34	M6*1.0*20 Skruer
1-20	M5*0.8*8 Skruer	6-20	0.3*11*13 Aluminiumsrør	13	ST6*10mm selvskærende skrue	35	PCL hankobling 1/4" med højt flow
1-21	8 mm Ring	6-21	10.5*99mm slange	14	R18AC-0 Gummifodder		
3	Kontrolpanel montering	7	R18AC-0 ankmaling ROHS/ PRO65	15	6.5*17mm Spændeskive		

(SV) ARTIKELLISTA

Antal	Beskrivning	Antal	Beskrivning	Antal	Beskrivning	Antal	Beskrivning
1	Montering av pump/motor	3-1	Kabel för kontrollpanel	7-1	1.8*293*376mm Stålblåt	16	M4*1.5*16 självgående skruv
1-1	Motor	3-2	Kontrollpanel	7-2	1.8*167*1005mm Stålblåt	22	R18AC-0 Batterifot
1-2	Fläkt	4	M6*16M självgående skruv	7-3	Handtag	23	R18AC-0 Batteriterminal PA66+25%gff
1-3	Motvikt	5	M3*12 självgående skruv	7-4	Tankfötter	23-1	R18AC-0 höger batteriterminal
1-4	Lager	6	R18AC-0 Montering av regulator	7-5	Motorfäste	23-2	R18AC-0 vänster batteriterminal
1-5	Anslutningsstång	6-1	Regulatorvred	7-6	Låsfäste 1	24	PCBA
1-7	Bullerskydd	6-2	φ1*φ10.8 Fjäder	7-7	Låsfäste 2	25	M4*0.8*10 Skruvar
1-8	M3*10 Skruvar	6-3	Reglerande ventilkåpa	7-8	Låsfäste 4	26	R18AC-0 Hölje (baksida)
1-9	FP2040 Vassventil	6-4	φ27.8*φ2.0 O-ring	7-9	FP2040 avgasmutter	27	M6*1.0*25 Skruvar
1-10	3310 Koppar	6-5	R18AC-0 Regulatorventil för pelarenhet	7-10	Insugsmutter	28	M6 Mutter
1-11	Kolv	6-6	φ3*φ20.5 Fjäder	7-11	R18AC-0 Mutter	29	M4*0.7 Skruvar
1-12	Teflonlåsring	6-7	Reglerande ventilkolv	7-12	Låsfäste 3	30	15A överbelastningsskydd
1-13	Cylinderrör	6-8	φ21.2*φ2.5 O-ring	7-13	Mutter för backventil	31	R18AC-0 Hölje (mitten)
1-14	FP2040 φ31.5*2 Gummitätning	6-9	Justerbar mutter	7-14	Grepphandtag	32	R18AC-0 Hölje (framsida)
1-15	Cylinderhuvudsats	6-10	φ11.2*φ1.8 O-ring	7-15	Krök	33	R18AC-0 Kabelmontering
1-16	Teflonpackning	6-11	7.4*5.8 Gummiplugg	7-16	Dräneringsventil	33-1	Terminal
1-17	Vassventil	6-12	φ5.6*φ0.8 Fjäder	7-17	Tryckvakt (6-8bar)	33-2	Klämma (φ8.0*25mm)
1-18	R18AC-0 Cylinderhuvud + slangmontering	6-13	Regulator kropp	7-18	Fjäder	33-3	16AWG Röd kabel
1-18-1	Cylinderhuvud	6-15	1.5" 210PSI Luftkompressormätare av plast	7-19	Gummiplugg	33-4	250 PVC-hylsor
1-18-2	Kopparhuvud för insug	6-16	8mm Bricka	7-20	R18AC-0 Backventil av koppar	33-5	75176-2 Terminal
1-18-3	Järnslinga	6-17	Hankoppling, 6,35 mm	9	Klämma	33-6	16AWG Röd kabel
1-18-4	10.5*90 mm slang	6-18	Säkerhetsventil	10	Terminal	33-7	16AWG Röd kabel
1-19	M4*0.7*40 Skruvar	6-19	Krök	11	31*13.5 Av/på-knapp	34	M6*1.0*20 Skruvar
1-20	M5*0.8*8 Skruvar	6-20	0.3*11*13 Aluminiumrör	13	ST6*10 mm självgående skruv	35	PCL-koppling med hög flödesstil, hane, 1/4 tum
1-21	8 mm Ring	6-21	10.5*99mm slang	14	R18AC-0 Gummiötter		
3	Montering av kontrollpanel	7	R18AC-0 ROHS/PRO65-tankfärg	15	6.5*17 mm Bricka		

(FI) OSALUETTELO

Nro	Kuvaus	Nro	Kuvaus	Nro	Kuvaus	Nro	Kuvaus
1	Pumppu-/moottorikokoonpano	3-1	Ohjauspaneelin johdin	7-1	1.8*293*376mm Teräslevy	16	M4*1.5*16 itseporautuva ruuvi
1-1	Moottori	3-2	Ohjauspaneeli	7-2	1.8*167*1005mm Teräslevy	22	R18AC-0 Akun kanta
1-2	Tuuletin	4	M6*16M itseporautuva ruuvi	7-3	Kädensija	23	R18AC-0 Akun kosketin 0013PA66+25%gf
1-3	Vastapaino	5	M3*12 itseporautuva ruuvi	7-4	Säiliön jalat	23-1	R18AC-0 akun oikeanpuoleinen kosketin
1-4	Laakeri	6	R18AC-0 Säädinkokoonpano	7-5	Moottorin tuki	23-2	R18AC-0 akun vasemmanpuoleinen kosketin
1-5	Kiertotanko	6-1	Säätönuppi	7-6	Kiinnityskieleke 1	24	PCBA
1-7	Melukansi	6-2	φ1*φ10.8 Jousi	7-7	Kiinnityskieleke 2	25	M4*0.8*10 Ruuvit
1-8	M3*10 Ruuvit	6-3	Säätöventtiilin suojus	7-8	Kiinnityskieleke 4	26	R18AC-0 Suojus (takaosa)
1-9	FP2040 Luistiventtiili	6-4	φ27.8*φ2.0 O-rengas	7-9	FP2040 poistoaukon mutteri	27	M6*1.0*25 Ruuvit
1-10	3310 Kuparitulppa	6-5	R18AC-0 Säätöventtiilin pylväskokoonpano	7-10	Sisäänottoaukon mutteri	28	M6 Mutteri
1-11	Mäntä	6-6	φ3*20.5 Jousi	7-11	R18AC-0 Mutteri	29	M4*0.7 Ruuvit
1-12	Tefloninen pidätinrengas	6-7	Säätöventtiilin männänrengas	7-12	Kiinnityskieleke 3	30	15A ylikuormitussuoja
1-13	Lieriöputki	6-8	φ21.2*φ2.0 O-rengas	7-13	Takaiskuventtiilin mutteri	31	R18AC-0 Suojus (keskiosa)
1-14	FP2040 φ31.5*2 Kumitiiviste	6-9	Säätömutteri	7-14	Kädensija	32	R18AC-0 Suoja (etuosa)
1-15	Sylinterinkansisarja	6-10	φ11.2*φ1.8 O-rengas	7-15	Mutka	33	R18AC-0 Johdinkokoonpano
1-16	Teflonttiiviste	6-11	7.4*5.8 Kumitulppa	7-16	Tyhjennysventtiili	33-1	Liitin
1-17	Luistiventtiili	6-12	φ5.6*φ0.8 Jousi	7-17	Painekeytkin (6-8bar)	33-2	Lämpökutistuva holkki (φ8.0*25mm)
1-18	R18AC-0 Sylinterin kansi + letkukokoonpano	6-13	Säätimen runko	7-18	Jousi	33-3	16AWG Punainen johdin
1-18-1	Sylinterin kansi	6-15	1.5" 210PSI Ilmakompressorin muovinen mittari	7-19	Kumitulppa	33-4	250 PVC-holkit
1-18-2	Sisäänottoaukon kuparitulppa	6-16	8mm Prikka	7-20	R18AC-0 Takaiskuventtiilin kuparitulppa	33-5	75176-2 Liitin
1-18-3	Teräsrengas	6-17	Euro 1/4" -uroslitiin	9	Lämpökutistuva holkki	33-6	16AWG Punainen johdin
1-18-4	10.5*90 mm letku	6-18	Ylipaineventtiili	10	Liitin	33-7	16AWG Punainen johdin
1-19	M4*0.7*40 Ruuvit	6-19	Mutka	11	31*13.5 Käynnistys/sammutuskytkin	34	M6*1.0*20 Ruuvit
1-20	M5*0.8*8 Ruuvit	6-20	0.3*11*13 Alumiiniputki	13	ST6*10mm itseporautuva ruuvi	35	1/4" -tyypin PCL-virtausliitin suurelle virtaukselle, uros
1-21	8 mm Rengas	6-21	10.5*99mm letku	14	R18AC-0 Kumijalat		
3	Ohjauspaneeliko-koonpano	7	R18AC-0 Säiliön maali ROHS/PRO65	15	6.5*17mm Prikka		

(NO) DELELISTE

Nr.	Beskrivelse	Nr.	Beskrivelse	Nr.	Beskrivelse	Nr.	Beskrivelse
1	Pumpe-/motorenhet	3-1	Kontrollpanelvaier	7-1	1.8*293*376mm Metallplate	16	M4*1.5*16 selvgjengende skruer
1-1	Motor	3-2	Kontrollpanel	7-2	1.8*167*1005mm Metallplate	22	R18AC-0 Batterifot
1-2	Vifte	4	M6*16M selvgjengende skruer	7-3	Håndtak	23	R18AC-0 Batteriterminal 0013PA66+25%gf
1-3	Motbalanse	5	M3*12 selvgjengende skruer	7-4	Tankføtter	23-1	R18AC-0 batteriterminal høyre
1-4	Lager	6	R18AC-0 Regulatorenhhet	7-5	Motorbrakett	23-2	R18AC-0 batteriterminal venstre
1-5	Tilkoblingsstang	6-1	Regulatorbryter	7-6	Holderchip 1	24	PCBA
1-7	Antistøydeksel	6-2	φ1*φ10.8 Fjær	7-7	Holderchip 2	25	M4*0.8*10 Skruer
1-8	M3*10 Skruer	6-3	Regulerende ventildeksel	7-8	Holderchip 4	26	R18AC-0 Skjermplate (bakside)
1-9	FP2040 Inntak skall	6-4	φ27.8*φ2.0 O-ring	7-9	FP2040 eksosmutter	27	M6*1.0*25 Skruer
1-10	3310 Kobber	6-5	R18AC-0 Regulatorventil kolonneenhet	7-10	Inntaksmutter	28	M6 Mutter
1-11	Stempel	6-6	φ3*20.5 Fjær	7-11	R18AC-0 Mutter	29	M4*0.7 Skruer
1-12	Teflon holderring	6-7	Regulerende ventilstempel	7-12	Holderchip 3	30	15A overbelastningsvern
1-13	Sylinderrør	6-8	φ21.2*φ2.5 O-ring	7-13	Kontrollventilmutter	31	R18AC-0 Skjermplate (midten)
1-14	FP2040 φ31.5*2 Gummitetning	6-9	Justerbar mutter	7-14	Håndtaksgrep	32	R18AC-0 Skjermplate (foran)
1-15	Sylinderhodesett	6-10	φ11.2*φ1.8 O-ring	7-15	Albue	33	R18AC-0 Vaierenhet
1-16	Teflonpakning	6-11	7.4*5.8 Gummiplugg	7-16	Tømmeventil	33-1	Terminal
1-17	Utslipp skall	6-12	φ5.6*φ0.8 Fjær	7-17	Trykkbryter (6-8bar)	33-2	Klips (φ8.0*25mm)
1-18	R18AC-0 Sylinderhode + slangeenhet	6-13	Regulatorenhhet	7-18	Fjær	33-3	16AWG Rød vaier
1-18-1	Sylinderhode	6-15	1.5" 210PSI Plastluft kompressormåler	7-19	Gummiplugg	33-4	250 PVC-hylser
1-18-2	Innak kobberhode	6-16	8mm Pakning	7-20	R18AC-0 Kontrollventil kobber	33-5	75176-2 Terminal
1-18-3	Jernløkke	6-17	Euro 1/4" hannkobling	9	Klips	33-6	16AWG Rød vaier
1-18-4	10.5*90 mm slange	6-18	Sikkerhetsventil	10	Terminal	33-7	16AWG Rød vaier
1-19	M4*0.7*40 Skruer	6-19	Albue	11	31*13.5 Av/På-bryter	34	M6*1.0*20 Skruer
1-20	M5*0.8*8 Skruer	6-20	0.3*11*1 Aluminiumsark	13	ST6*10 mm selvgjengende skruer	35	PCL hannkobling 1/4" med høy flow
1-21	8 mm Ring	6-21	10.5*99mm slange	14	R18AC-0 Gummiføtter		
3	Kontrollpanelenhet	7	R18AC-0 Tanklakk ROHS/PRO65	15	6.5*17 mm Pakning		

(RU) ПЕРЕЧЕНЬ ДЕТАЛЕЙ

№	Описание	№	Описание	№	Описание	№	Описание
1	Насос и двигатель в сборе	3-1	Проводка панели управления	7-1	1.8*293*376mm Стальной лист	16	M4*1.5*16 саморез
1-1	Двигатель	3-2	Панель управления	7-2	1.8*167*1005mm Стальной лист	22	R18AC-0 Подставка под аккумулятор
1-2	Вентилятор	4	M6*16M саморез	7-3	Ручка	23	R18AC-0 Аккумуляторная клемма 0013РА66+25%gf
1-3	Противовес	5	M3*12 саморез	7-4	Ножки бака	23-1	R18AC-0 аккумуляторная клемма правая
1-4	Вкладыш	6	R18AC-0 Регулятор в сборе	7-5	Опора двигателя	23-2	R18AC-0 аккумуляторная клемма правая
1-5	Соединительная тяга	6-1	Ручка регулятора	7-6	Скоба крепления 1	24	PCBA
1-7	Противошумовая крышка	6-2	φ1*φ10.8 Пружина	7-7	Скоба крепления 2	25	M4*0.8*10 Винты
1-8	M3*10 Винты	6-3	Крышка регулирующего клапана	7-8	Скоба крепления 4	26	R18AC-0 Кожух (задний)
1-9	FR2040 Пластинчатый впускной клапан	6-4	φ27.8*φ2.0 Уплотнительное кольцо	7-9	FR2040 гайка впускной системы	27	M6*1.0*25 Винты
1-10	3310 Медь	6-5	R18AC-0 Секция регулирующего клапана в сборе	7-10	Гайка впускной системы	28	M6 Гайка
1-11	Плунжер	6-6	φ3*φ20.5 Пружина	7-11	R18AC-0 Гайка	29	M4*0.7 Винты
1-12	Тефлоновое стопорное кольцо	6-7	Плунжер регулирующего клапана	7-12	Скоба крепления 3	30	15A устройство защиты от перегрузки
1-13	Патрубок цилиндра	6-8	φ21.2*φ2.5 Уплотнительное кольцо	7-13	Гайка обратного клапана	31	R18AC-0 Кожух (средний)
1-14	FR2040 φ31.5*2 Резиновое уплотнение	6-9	Регулируемая гайка	7-14	Рукоять	32	R18AC-0 Кожух (передний)
1-15	Комплект головок цилиндра	6-10	φ11.2*φ1.8 Уплотнительное кольцо	7-15	Угловой фиттинг	33	R18AC-0 Комплект проводов
1-16	Тефлоновая прокладка	6-11	7.5*5.8 Резиновая пробка	7-16	Спускной клапан	33-1	Концевая муфта
1-17	Пластинчатый впускной клапан	6-12	φ5.6*φ0.8 Пружина	7-17	Реле давления 6-8bar)	33-2	Клипса (φ8.0*25mm)
1-18	R18AC-0 Головка цилиндра + шланг в сборе	6-13	Корпус регулятора	7-18	Пружина	33-3	16AWG Красный провод
1-18-1	Головка цилиндра	6-15	1.5" 210PS Пластиковый манометр воздушного компрессора	7-19	Резиновая пробка	33-4	250 Рукава ПВХ
1-18-2	Медная крышка впускной системы	6-16	8mm Шайба	7-20	R18AC-0 Обратный клапан, медь	33-5	75176-2 Концевая муфта
1-18-3	Железная петля	6-17	Охватываемое соединение "Евро" 1/4"	9	Клипса	33-6	16AWG Красный провод
1-18-4	10.5*90 mm шланг	6-18	Предохранительный клапан	10	Концевая муфта	33-7	16AWG Красный провод
1-19	M4*0.7*40 Винты	6-19	Угловой фиттинг	11	31*13.5 Тумблер включения/выключения	34	M6*1.0*20 Винты
1-20	M5*0.8*8 Винты	6-20	0.3*11*13 Алюминиевая трубка	13	ST6*10 mm саморез	35	Охватываемый соединитель шлангов высокого давления, ПКЛ, 1/4"
1-21	8 mm Кольцо	6-21	10.5*99mm шланг	14	R18AC-0 Резиновые опоры		
3	Панель управления в сборе	7	R18AC-0 Краска для бака ROHS/PRO65	15	6.5*17 mm Шайба		

(PL) LISTA CZĘŚCI

Nr	Opis	Nr	Opis	Nr	Opis	Nr	Opis
1	Zespół pompa/silnik	3-1	Przewód panelu sterowania	7-1	1.8*293*376mm Blacha stalowa	16	M4*1.5*16 Wkręt samogwintujący
1-1	Silnik	3-2	Panel sterowania	7-2	1.8*167*1005mm Blacha stalowa	22	R18AC-0 Stopka akumulatora
1-2	Wentylator	4	M6*16M Wkręt samogwintujący	7-3	Rękojeść	23	R18AC-0 Zacisk akumulatora 0013PA66+25%gf
1-3	Przeciwwaga	5	M3*12 Wkręt samogwintujący	7-4	Stopka zbiornika	23-1	R18AC-0 prawy zacisk akumulatora
1-4	Łożysko	6	R18AC-0 Zespół regulatora	7-5	Wspornik silnika	23-2	R18AC-0 lewy zacisk akumulatora
1-5	Korbwód	6-1	Pokręto regulatora	7-6	Wspornik ustalający 1	24	PCBA
1-7	Oslona wyciszająca	6-2	φ1*φ10. Sprężyna	7-7	Wspornik ustalający 2	25	M4*0.8*10 Wkręty
1-8	M3*10 Wkręty	6-3	Oslona zaworu regulacyjnego	7-8	Wspornik ustalający 4	26	R18AC-0 Tarcza wzmacniająca (tylna)
1-9	FP2040 Zawór płytkowy	6-4	φ27.8*φ2.0 O-ring	7-9	FP2040 nakrętka wylotowa	27	M6*1.0*25 Wkręty
1-10	3310 Miedź	6-5	R18AC-0 Zespół kolumny zaworu regulacyjnego	7-10	Nakrętka wlotowa	28	M6 Nakrętka
1-11	Tłok	6-6	φ3*φ20.5 Sprężyna	7-11	R18AC-0 Nakrętka	29	M4*0.7 Wkręty
1-12	Teflonowy pierścień ustalający	6-7	Tłok zaworu regulacyjnego	7-12	Wspornik ustalający 3	30	15A zabezpieczenie przed przeciążeniem
1-13	Rura cylindryczna	6-8	φ21.2*φ2.5 O-ring	7-13	Nakrętka zaworu zwrotnego	31	R18AC-0 Tarcza wzmacniająca (środkowa)
1-14	FP2040 φ31.5*2 Uszczelka gumowa	6-9	Nakrętka regulowana	7-14	Uchwyt	32	R18AC-0 Tarcza wzmacniająca (przednia)
1-15	Zestaw głowic cylindrów	6-10	φ11.2*φ1.8 O-ring	7-15	Kolanko	33	R18AC-0 Zespół przewodów
1-16	Uszczelka teflonowa	6-11	7.4*5.8 Korek gumowy	7-16	Opróżniacz zawór	33-1	Zacisk
1-17	Zawór płytkowy	6-12	φ5.6*φ0.8 Sprężyna	7-17	Przełącznik ciśnienia (6-8bar)	33-2	Zacisk (φ8.0*25mm)
1-18	R18AC-0 Zespół głowica cylindra + wąż	6-13	Korpus regulatora	7-18	Sprężyna	33-3	16AWG Przewód czerwony
1-18-1	Głowica cylindra	6-15	1.5" 210PSI Plastikowy manometr sprężarki	7-19	Korek gumowy	33-4	250 Tuleje z PVC
1-18-2	Miedziana głowica wlotowa	6-16	Podkładka 8mm	7-20	R18AC-0 Zawór zwrotny, część miedziana	33-5	75176-2 Zacisk
1-18-3	Obręcz zeliwna	6-17	Złączka męska Euro 1/4 cala	9	Zacisk	33-6	16AWG Przewód czerwony
1-18-4	10.5*90 mm wąż	6-18	Zawór bezpieczeństwa	10	Zacisk	33-7	16AWG Przewód czerwony
1-19	M4*078*40 Wkręty	6-19	Kolanko	11	31*13.5 Przełącznik Wł-Wył	34	M6*1.0*20 Wkręty
1-20	M5*0.8*8 Wkręty	6-20	0.3*11*13 Rura aluminiowa	13	ST6*10 mm Wkręt samogwintujący	35	Szybkoprzepływowe łącze męskie PCL, 1/4" S
1-21	Pierścień 8 mm	6-21	10.5*99mm wąż	14	R18AC-0 Stopka gumowa		
3	Panel sterowania	7	R18AC-0 Farba od zbiornika ROHS/ PRO65	15	Podkładka 6.5*17 mm		

(CS) SEZNAM DÍLŮ

č.	Popis	č.	Popis	č.	Popis	č.	Popis
1	Sestava čerpadla/ motoru	3-1	Tyčová oka na ovládacím panelu	7-1	1.8*293*376mm Ocelová deska	16	M4*1.5*16 samofezný šroub
1-1	Motor	3-2	Ovládací panel	7-2	1.8*167*1005mm Ocelová deska	22	R18AC-0 Patka baterie
1-2	Ventilátor	4	M6*16M samofezný šroub	7-3	Rukojeť	23	R18AC-0 Vývod baterie 0013PA66+25%gf
1-3	Protizávaží	5	M3*12 samofezný šroub	7-4	Nohy nádrže	23-1	R18AC-0 pravá svorka baterie
1-4	Ložisko	6	R18AC-0 Sestava regulátoru	7-5	Konzole motoru	23-2	R18AC-0 levá svorka baterie
1-5	Ojnice	6-1	Otočný regulátor	7-6	Přídružná konzole 1	24	PCBA
1-7	Protihlukový kryt	6-2	φ1*φ10.8 Pružina	7-7	Přídružná konzole 2	25	M4*0.8*10 Šrouby
1-8	M3*10 Šrouby	6-3	Kryt regulačního ventilu	7-8	Přídružná konzole 4	26	R18AC-0 Ochranný kryt (zadní)
1-9	FP2040 Jazyčkový ventil nasávání	6-4	φ27.8*φ2.0 O-kroužek	7-9	FP2040 Matice vyfukování	27	M6*1.0*25 Šrouby
1-10	3310 Měděný přidrzník	6-5	R18AC-0 Sestava sloupce regulačního ventilu	7-10	Matice nasávání	28	M6 Matice
1-11	Píst	6-6	φ3*20.5 Pružina	7-11	R18AC-0 Matice	29	M4*0.7 Šrouby
1-12	Teflonový pojistný kroužek	6-7	Píst regulačního ventilu	7-12	Přídružná konzole 3	30	15A proudový chránič
1-13	Dutý váleček	6-8	φ21.2*φ2.5 O-kroužek	7-13	Matice zpětného ventilu	31	R18AC-0 Ochranný kryt (středový)
1-14	FP2040 φ31.5*2 Pryžové těsnění	6-9	Stavěcí matice	7-14	Úchop pro přenášení	32	R18AC-0 Ochranný kryt (přední)
1-15	Sada hlavy válce	6-10	φ11.2*φ1.8 O-kroužek	7-15	Koleno	33	R18AC-0 Sestava vodičů
1-16	Teflonové těsnění	6-11	7.4*5.8 Pryžová zátka	7-16	Vypouštěcí ventil	33-1	Svorka
1-17	Jazyčkový ventil vyfukování	6-12	φ5.6*φ0.8 Pružina	7-17	Tlakový spínač (6-8bar)	33-2	Objímka (φ8.0*25mm)
1-18	R18AC-0 Sestava hlavy válce + hadice	6-13	Tělo regulátoru	7-18	Pružina	33-3	16AWG Červený vodič
1-18-1	Hlava válce	6-15	1.5" 210PSI Plastový tlakoměr	7-19	Pryžová zátka	33-4	250 Návlačky PVC
1-18-2	Měděná hlava nasávání	6-16	8mm Podložka	7-20	R18AC-0 Měděný vývod zpětného ventilu	33-5	75176-2 Svorka
1-18-3	Litínová objímka	6-17	Eurospojka ¼" z vnějším závitem	9	Objímka	33-6	16AWG Červený vodič
1-18-4	10.5*90 mm hadice	6-18	Pojistný ventil	10	Svorka	33-7	16AWG Červený vodič
1-19	M4*0.7*40 Šrouby	6-19	Koleno	11	31*13.5 Spínač On/Off (Zapnuto/Vypnuto)	34	M6*1.0*20 Šrouby
1-20	M5*0.8*8 Šrouby	6-20	0.3*11*13 Hliníková trubička	13	ST6*10mm samofezný šroub	35	Spojka PCL, ¼" pro vysoký průtok s vnějším závitem
1-21	8 mm Pojistný kroužek	6-21	10.5*99mm hadice	14	R18AC-0 Pryžové nohy		
3	Sestava ovládacího panelu	7	R18AC-0 Nátěr nádrže, RoHS / Pro 65	15	6.5*17 mm Podložka		

(HU) ALKATRÉSZLISTA

Szám	Leírás	Szám	Leírás	Szám	Leírás	Szám	Leírás
1	Szivattyú-/ motorszerelvény	3-1	Kezelőpanel drótja	7-1	1.8*293*376mm Acéllemez	16	M4*1.5*16 önmetsző csavar
1-1	Motor	3-2	Kezelőpult	7-2	1.8*167*1005mm Acéllemez	22	R18AC-0 Akumulátorláb
1-2	Ventilátor	4	M6*16M önmetsző csavar	7-3	Fogantyú	23	R18AC-0 Akumulátorterminál 0013PA66+25%gf
1-3	Ellensúly	5	M3*12 önmetsző csavar	7-4	Tartálylábak	23-1	R18AC-0 jobb akkumulátorterminál
1-4	Csapágy	6	R18AC-0 Szabályozó szerelvény	7-5	Motorbilincs	23-2	R18AC-0 bal akkumulátorterminál
1-5	Összekötőrúd	6-1	Szabályozó gomb	7-6	tartókonzol	24	PCBA
1-7	Zajvédő burkolat	6-2	φ1*φ10.8 Rugó	7-7	tartókonzol 2	25	M4*0.8*10 Csavar
1-8	M3*10 Csavar	6-3	Szabályozó szelep fedele	7-8	tartókonzol 4	26	R18AC-0 Védőborítás (hátsó)
1-9	FP2040 Reed- szelep	6-4	φ27.8*φ2.0 O-gyűrű	7-9	FP2040 kipufogóanya	27	M6*1.0*25 Csavar
1-10	3310 Réz	6-5	R18AC-0 Szabályozó szelep oszlopegysége	7-10	Szivónyílás anyája	28	M6 Csavaranya
1-11	Dugattyú	6-6	φ3*20.5 Rugó	7-11	R18AC-0 Csavaranya	29	M4*0.7 Csavar
1-12	Teflon tartógyűrű	6-7	Szabályozó szelep dugattyúja	7-12	tartókonzol 3	30	15A túlterhelésvédő
1-13	Hengercső	6-8	φ21.2*φ2.5 O-gyűrű	7-13	Visszacsapó szelep anyája	31	R18AC-0 Védőborítás (középső)
1-14	FP2040 φ31.5*2 Gumitömítés	6-9	Állítható csavaranya	7-14	Fogantyú markolata	32	R18AC-0 Védőborítás (elülső)
1-15	Hengerfejkészlet	6-10	φ11.2*φ1.8 O-gyűrű	7-15	Könyökdarab	33	R18AC-0 Drótszerelvény
1-16	Teflontömítés	6-11	7.5*5.8 Gumidugó	7-16	Leeresztőszelep	33-1	Terminál
1-17	Reed-szelep	6-12	φ5.6*φ0.8 Rugó	7-17	Nyomáskapcsoló (6-8bar)	33-2	Hőre zsugorodó hüvely (φ8.0*25mm)
1-18	R18AC-0 Hengerfej + tömlőszerelvény	6-13	Szabályozó ház	7-18	Rugó	33-3	16AWG Piros drót
1-18-1	Hengeres fej	6-15	1.5" 210PSI Kompresszor műanyag mérőműszere	7-19	Gumidugó	33-4	250 PVC hüvelyek
1-18-2	Szivónyílás rézfeje	6-16	8mm Alátétkarika	7-20	R18AC-0 Visszacsapószelep réz része	33-5	75176-2 Terminál
1-18-3	Vasbilincs	6-17	Euro 1/4" csatlakozódugó	9	Hőre zsugorodó hüvely	33-6	16AWG Piros drót
1-18-4	10.5*90 mm tömlő	6-18	Biztonsági szelep	10	Terminál	33-7	16AWG Piros drót
1-19	M4*0.7*40Csavar	6-19	Könyökdarab	11	31*13.5 Be/ki kapcsoló	34	M6*1.0*20 Csavar
1-20	M5*0.8*8Csavar	6-20	0.3*11*13 Alumíniumcső	13	ST6*10mm önmetsző csavar	35	PCL high-flow-style férfi csatlakozó 1/4"
1-21	8 mm Gyűrű	6-21	10.5*99mm tömlő	14	R18AC-0 Gumilábak		
3	Kezelőpanel- szerelvény	7	R18AC-0 Tartályfesték ROHS/PRO65	15	6.5*17 mm Alátétkarika		

(RO) LISTA PIESELOR COMPONENTE

Nu	Descriere	Nu	Descriere	Nu	Descriere	Nu	Descriere
1	Ansamblul motor/ pompa	3-1	Fir panou de comandă	7-1	1.8*293*376mm Tablă de oțel	16	M4*1.5*16 șurub autoforant
1-1	Motor	3-2	Panou de control	7-2	1.8*167*1005mm Tablă de oțel	22	R18AC-0 Suport acumulator
1-2	Ventilator	4	M6*16M șurub autoforant	7-3	Mâner	23	R18AC-0 Terminal acumulator 0013PA66+25%gf
1-3	Contragreutate	5	M3*12 șurub autoforant	7-4	Suporturi rezervor	23-1	R18AC-0 Terminal acumulator dreapta
1-4	Rulment	6	R18AC-0 Ansamblu regulator	7-5	Consolă motor	23-2	R18AC-0 Terminal acumulator stânga
1-5	Tijă de legătură	6-1	Buton regulator	7-6	Consolă de retenție 1	24	PCBA
1-7	Capac anti-zgomot	6-2	φ1*φ10.8 Arc	7-7	Consolă de retenție 2	25	M4*0.8*10 Șuruburi
1-8	M3*10 Șuruburi	6-3	Capac supapă de reglare	7-8	Consolă de retenție 4	26	R18AC-0 Carcasă (spate)
1-9	FP2040 Supapă cu lamele pentru admisie	6-4	φ27.8*φ2.0 Inel O-ring	7-9	FP2040 Piuliță evacuare	27	M6*1.0*25 Șuruburi
1-10	3310 Element de cupru	6-5	R18AC-0 Ansamblu coloană supapă de reglare	7-10	Piuliță admisie	28	M6 Piuliță
1-11	Piston	6-6	φ3*φ20.5 Arc	7-11	R18AC-0 Piuliță	29	M4*0.7 Șuruburi
1-12	Inel de retenție din teflon	6-7	Piston supapă de reglare	7-12	Consolă de retenție 3	30	15A Protecție la suprasarcină
1-13	Tub butelie	6-8	φ21.2*φ2.5 Inel O-ring	7-13	Piuliță supapă de închidere	31	R18AC-0 Carcasă (mediană)
1-14	FP2040 φ31.5*2 Garnitură de cauciuc	6-9	Piuliță de ajustare	7-14	Mâner	32	R18AC-0 Carcasă (față)
1-15	Set cap butelie	6-10	φ11.2*φ1.8 Inel O-ring	7-15	Cot	33	R18AC-0 Ansamblu de cabluri
1-16	Garnitură de teflon	6-11	7.4*5.8 Dop de cauciuc	7-16	Supapă de drenare	33-1	Terminal
1-17	Supapă cu lamele pentru evacuare	6-12	φ5.6*φ0.8 Arc	7-17	Presostat (6-8bar)	33-2	Colier (φ8.0*25mm)
1-18	R18AC-0 Cap butelie + ansamblu furtun	6-13	Corp regulator	7-18	Arc	33-3	16AWG Fir roșu
1-18-1	Cap butelie	6-15	1.5" 210PSI Manometru de plastic	7-19	Dop de cauciuc	33-4	250 Manșoane din PVC termocontractabil
1-18-2	Cap admisie din cupru	6-16	8mm Șaibă	7-20	R18AC-0 Element din cupru al supapei de închidere	33-5	75176-2 Terminal
1-18-3	Colier de fier	6-17	Cuplor tip tată, Euro 1/4"	9	Colier	33-6	16AWG Fir roșu
1-18-4	10.5*90 mm furtun	6-18	Supapă de siguranță	10	Terminal	33-7	16AWG Fir roșu
1-19	M4*0.7*40 Șuruburi	6-19	Cot	11	31*13.5 Întrerupător pornire/oprire	34	M6*1.0*20 Șuruburi
1-20	M5*0.8*8 Șuruburi	6-20	0.3*11*13 Tub de aluminiiu	13	ST6*10 mm șurub autoforant	35	Cuplor tip „tată” pentru debit mare, PCL 1/4"
1-21	8 mm Inel	6-21	10.5*99mm furtun	14	R18AC-0 Suporturi de cauciuc		
3	Ansamblu panou de comandă	7	R18AC-0 Vopsea rezervor ROHS/ PRO65	15	6.5*17 mm Șaibă		

(LV) DETALU SARAKSTS

Nr.	Apraksts	Nr.	Apraksts	Nr.	Apraksts	Nr.	Apraksts
1	Sūkņa/motors mezgls	3-1	Vadības paneļa stieples	7-1	1.8*293*376mm Tērauda plāksne	16	M4*1.5*16 pašfiksējošā skrūve
1-1	Motors	3-2	Vadības panelis	7-2	1.8*167*1005mm Tērauda plāksne	22	R18AC-0 Akumulatora pēda
1-2	Ventilators	4	M6*16M pašfiksējošā skrūve	7-3	Rokturis	23	R18AC-0 Akumulatora kontakti 0013PA66+25%gf
1-3	Atsvars	5	M3*12 pašfiksējošā skrūve	7-4	Tvertnes kājas	23-1	R18AC-0 akumulatora kontakts, labais
1-4	Gultnis	6	R18AC-0 Regulatora mezgls	7-5	Motora kronšteins	23-2	R18AC-0 akumulatora kontakts, kreisais
1-5	Savienojuma stienis	6-1	Regulatora poga	7-6	Fiksācijas kronšteins 1	24	PCBA
1-7	Troksni slāpējošais pārsegs	6-2	φ1*φ10.8 Atspere	7-7	Fiksācijas kronšteins 2	25	M4*0.8*10 Skrūve
1-8	M3*10 Skrūve	6-3	Regulēšanas vārsta pārsegs	7-8	Fiksācijas kronšteins 4	26	R18AC-0 Apvalks (aizmugurējais)
1-9	FP2040 leplūdes starplika	6-4	φ27.8*φ2.0 Gredzena blīve	7-9	FP2040 izplūdes uzgrieznis	27	M6*1.0*25 Skrūve
1-10	3310 Vara starplika	6-5	R18AC-0 Regulatora vārsta statņa mezgls	7-10	leplūdes uzgrieznis	28	M6 Uzgrieznis
1-11	Virzulis	6-6	φ3*20.5 Atspere	7-11	R18AC-0 Uzgrieznis	29	M4*0.7 Skrūve
1-12	Teflona fiksācijas gredzens Teflon retaining ring	6-7	Regulatora vārsta virzulis	7-12	Fiksācijas kronšteins 3	30	15A pārslodzes aizsardzība
1-13	Cilindra čaula	6-8	φ21.2*φ2.5 Gredzena blīve	7-13	Kontrolvārsta uzgrieznis	31	R18AC-0 Apvalks (vidējais)
1-14	FP2040 φ31.5*2 Gumijas blīve	6-9	Regulējams uzgrieznis	7-14	Roktura satveramā daļa	32	R18AC-0 Apvalks (priekšējais)
1-15	Cilindra galvas komplekts	6-10	φ11.2*φ1.8 Gredzena blīve	7-15	Leņķdzelzis	33	R18AC-0 Vadu kūlis
1-16	Teflona blīve	6-11	7.4*5.8 Gumijas aizbāznis	7-16	Nolaišanas vārsts	33-1	Kontakts
1-17	Izplūdes starplika	6-12	φ5.6*φ0.8 Atspere	7-17	Spiedienrelejs (6-8bar)	33-2	Karstuma fiksācijas uzmava (φ8.0*25mm)
1-18	R18AC-0 Cilindra galvas + šūtenes mezgls	6-13	Regulatora korpuss	7-18	Atspere	33-3	16AWG Sarkanais vads
1-18-1	Cilindra galva	6-15	1.5" 210PSI Plastmasas gaisa kompresora spiediena rādītājs	7-19	Gumijas aizbāznis	33-4	250 PVH uzlikas
1-18-2	Izplūdes galva, vara	6-16	8mm Paplāksne	7-20	R18AC-0 Kontrolvārsts, vara	33-5	75176-2 Kontakts
1-18-3	Dzelzs cilpa	6-17	Euro 1/4" iespraužamais savienotājs	9	Karstuma fiksācijas uzmava	33-6	16AWG Sarkanais vads
1-18-4	10.5*90 mm šūtene	6-18	Drošības vārsts	10	Kontakts	33-7	16AWG Sarkanais vads
1-19	M4*0.7*40 Skrūve	6-19	Leņķdzelzis	11	31*13.5 ieslēgšanas/izslēgšanas slēdzis	34	M6*1.0*20 Skrūve
1-20	M5*0.8*8 Skrūve	6-20	0.3*11*13 Alumīnija caurule	13	ST6*10mm pašfiksējošā skrūve	35	PCL augstas plūsmas iekšējais savienojums 1/4"
1-21	8 mm Gredzens	6-21	10.5*99mm šūtene	14	R18AC-0 Gumijas kājas		
3	Vadības paneļa mezgls	7	R18AC-0 Tvertnes krāsa ROHS/PRO65	15	6.5*17 mm Paplāksne		

(LT) DALIŲ SĄRAŠAS

Nr.	Aprašymas	Nr.	Aprašymas	Nr.	Aprašymas	Nr.	Aprašymas
1	Siurblio / variklio blokas	3-1	Valdymo skydelio laidas	7-1	1.8*293*376mm Plieno lakštas	16	M4*1.5*16 Savisriegis varžtas
1-1	Variklis	3-2	Valdymo skydelis	7-2	1.8*167*1005mm Plieno lakštas	22	R18AC-0 Akumuliatoriaus apačia
1-2	Ventiliatorius	4	M6*16M Savisriegis varžtas	7-3	Rankena	23	R18AC-Akumuliatoriaus gnybtas 0013PA66+25%gf
1-3	Atsvaras	5	M3*12 Savisriegis varžtas	7-4	Talpyklos kojelės	23-1	R18AC-0 Dešinysis akumuliatoriaus gnybtas
1-4	Guolis	6	R18AC-0 Reguliavimo įtaisas	7-5	Variklio laikytuvas	23-2	R18AC-0 Kairysis akumuliatoriaus gnybtas
1-5	Jungiamoji trauklė	6-1	Reguliavimo ratukas	7-6	1 fiksuojamasis laikiklis	24	PCBA
1-7	Triukšmo mažinimo gaubtas	6-2	φ1*φ10.8 Spyruoklė	7-7	2 fiksuojamasis laikiklis	25	M4*0.8*10 Varžtai
1-8	M3*10 Varžtai	6-3	Reguliavimo vožtuvo dangtelis	7-8	4 fiksuojamasis laikiklis	26	R18AC-0 Gaubtas (galinis)
1-9	FP2040 Vamzdinis įleidimo vožtuvas	6-4	φ27.8*φ2. Sandarinimo žiedas	7-9	FP2040 Išleidimo angos veržlė,	27	M6*1.0825 Varžtai
1-10	3310 varinė	6-5	R18AC-0 Reguliavimo vožtuvo kolonėlės blokas	7-10	Įleidimo angos veržlė	28	M6 Veržlė
1-11	Stūmoklis	6-6	φ3*20.5 Spyruoklė	7-11	R18AC-0 Veržlė	29	M4*0.7 Varžtai
1-12	Tefoninis fiksuojamasis žiedas	6-7	Reguliavimo vožtuvo stūmoklis	7-12	3 fiksuojamasis laikiklis	30	15A Perkrovo saugiklis
1-13	Cilindrinis vamzdis	6-8	φ21.2*φ2.5 Sandarinimo žiedas	7-13	Kontrolinio vožtuvo veržlė	31	R18AC-0 Gaubtas (vidurinis)
1-14	FP2040 φ31.5*2Guminis sandariklis	6-9	Reguliuojamoji veržlė	7-14	Rankena	32	R18AC-0 Gaubtas (priekinis)
1-15	Veleno galvutės komplektas	6-10	φ11.2*φ1.8 Sandarinimo žiedas	7-15	Alkūnė	33	R18AC-0 Laidų jungtis
1-16	Tefoninis tarpiklis	6-11	7.4*5.8 Guminis kamštis	7-16	Išleiskite vožtuvą	33-1	Gnybtas
1-17	Vamzdinis išleidimo vožtuvas	6-12	φ5.6*φ0.8 Spyruoklė	7-17	Slėgio perjungiklis (6-8bar)	33-2	Spaustukas (φ8.0*25mm)
1-18	R18AC-0 Veleno galvutė + žarnos jungtis	6-13	Reguliatoriaus korpusas	7-18	Spyruoklė	33-3	16AWG Raudonas laidas
1-18-1	Veleno galvutė	6-15	1.5" 210PSI Plastikinis oro kompresoriaus matuoklis	7-19	Guminis kamštis	33-4	250 PVC movos
1-18-2	Įleidimo angos varinės detalės galvutė	6-16	8mm Poveržlė	7-20	R18AC-0 Varinis kontrolinis vožtuvas	33-5	75176-2 Gnybtas
1-18-3	Geležinė apkaba	6-17	„Euro“ 1/4 col. apgaubiamoji jungtis	9	Spaustukas	33-6	16AWG Raudonas laidas
1-18-4	10.5*90 mm žarna	6-18	Apsauginis vožtuvas	10	Gnybtas	33-7	16AWG Raudonas laidas
1-19	M4*0.7*40 Varžtai	6-19	Alkūnė	11	31*13.5 Įjungimo / išjungimo mygtukas	34	M6*1.0*20 Varžtai
1-20	M5*0.8*8 Varžtai	6-20	0.3*11*13 Alumininis vamzdis	13	ST6*10mm Savisriegis varžtas	35	PCL greitoji apgaubiamoji pneumatinė jungtis, 1/4 col.
1-21	8 mm Žiedas	6-21	10.5*99mm žarna	14	R18AC-0 Guminė kojėlė		
3	Valdymo skydelio blokas	7	R18AC-0 Talpyklos dažai ROHS/PRO65	15	6.5*17 mm Poveržlė		

(ET) OSADE LOEND

Nr	Kirjeldus	Nr	Kirjeldus	Nr	Kirjeldus	Nr	Kirjeldus
1	Pumba/mootori koost	3-1	Juhtpaneeli juhe	7-1	1.8*293*376mm Terasleht	16	M4*1.5*16 isekeermestuv kruvi
1-1	Mootor	3-2	Juhtpaneel	7-2	1.8*167*1005mm Terasleht	22	R18AC-0 Aku jalg
1-2	Ventilaator	4	M6*16M isekeermestuv kruvi	7-3	Käepide	23	R18AC-0 Aku klemm 0013PA66+25%gf
1-3	Vastukaal	5	M3*12 isekeermestuv kruvi	7-4	Mahuti jalg	23-1	R18AC-0 aku parempoolne klemm
1-4	Laager	6	R18AC-0 Regulaatori koost	7-5	Mootori kronstein	23-2	R18AC-0 aku vasakpoolne klemm
1-5	Ühendusvarras	6-1	Regulaatori nupp	7-6	Kinnituskronstein 1	24	PCBA
1-7	Müravastane kate	6-2	φ1*φ10.8 Vedru	7-7	Kinnituskronstein 2	25	M4*0.8*10 Poldid
1-8	M3*10 Poldid	6-3	Reguleerimisklapi kate	7-8	Kinnituskronstein 4	26	R18AC-0 Ümbris (taga)
1-9	FP2040 Tagasivooluklapp	6-4	φ27.8*φ2.0 Rõngastihend	7-9	FP2040 väljalaske mutter	27	M6*1.0*2 Poldid
1-10	3310 Vask	6-5	R18AC-0 Reguleerimisklapi samba koost	7-10	Sisselaske mutter	28	M6 Mutter
1-11	Kolb	6-6	φ3*20.5 Vedru	7-11	R18AC-0 Mutter	29	M4*0.7 Poldid
1-12	Tefonist kinnitusrõngas	6-7	Reguleerimisklapi kolb	7-12	Kinnituskronstein 3	30	15A ülekoormuskaitse
1-13	Silindriline toru	6-8	φ21.2*φ2.5 Rõngastihend	7-13	Tagasilöögiklapi mutter	31	R18AC-0 Kuumuskahanev ümbris (kesk)
1-14	FP2040 φ31.5*2 Kummitihend	6-9	Reguleeritav mutter	7-14	Käepide	32	R18AC-0 Kate (ees)
1-15	Plokikaas	6-10	φ11.2*φ1.8 Rõngastihend	7-15	Põlv	33	R18AC-0 Juhtmekoost
1-16	Tefonthend	6-11	7.4*5.8 Kummikork	7-16	Dreenimiskraan	33-1	Klemm
1-17	Tagasivooluklapp	6-12	φ5.6*φ0.8 Vedru	7-17	Rõhulüliti (6-8bar)	33-2	Klamber (φ8.0*25mm)
1-18	R18AC-0 Plokikaane + vooliku koost	6-13	Regulaatori korpus	7-18	Vedru	33-3	16AWG Punane juhe
1-18-1	Plokikaas	6-15	1.5" 210PSI Plastikust õhukompressori mõõdik	7-19	Kummikork	33-4	250 PVC-muhvid
1-18-2	Sisselaske vasest pea	6-16	8mm Seib	7-20	R18AC-0 Vasest tagasilöögiklapp	33-5	75176-2 Klemm
1-18-3	Raudrõngas	6-17	Pistiktüüpi 1/4" eurolitmik	9	Klamber	33-6	16AWG Punane juhe
1-18-4	10.5*90 mm voolik	6-18	Kaitseklapp	10	Klemm	33-7	16AWG Punane juhe
1-19	M4*0.7*40 Poldid	6-19	Põlv	11	31*13.5 „Sisse/välja“-lülit	34	M6*1.0*20 Poldid
1-20	M5*0.8*8 Poldid	6-20	0.3*11*13 Alumiiniumtoru	13	ST6*10mm isekeermestuv kruvi	35	PCL kiire vooluga sisellitmik 1/4"
1-21	8 mm Rõngas	6-21	10.5*99mm voolik	14	R18AC-0 Kummijalg		
3	Juhtpaneeli koost	7	R18AC-0 Mahuti värv ROHS/ PRO65	15	6.5*17 mm Seib		

(HR) POPIS DIJELOVA

Br.	Opis	Br.	Opis	Br.	Opis	Br.	Opis
1	Sklop pumpe/motora	3-1	Žica upravljačke ploče	7-1	1.8*293*376mm Čelična traka (lim)	16	M4*1.5*16 samourezni vijak
1-1	Motor	3-2	Upravljačka ploča	7-2	1.8*167*1005mm Čelična traka (lim)	22	R18AC-0 Podnožje baterije
1-2	Ventilator	4	M6*16M samourezni vijak	7-3	Ručka	23	R18AC-0 Terminal baterije 0013PA66+25%gf
1-3	Protutužeg	5	M3*12 samourezni vijak	7-4	Nožice spremnika	23-1	R18AC-0 terminal baterije desno
1-4	Ležaj	6	R18AC-0 Sklop regulatora	7-5	Nosač motora	23-2	R18AC-0 terminal baterije lijevo
1-5	Ojnica	6-1	Gumb regulatora	7-6	Zadržni nosač	24	PCBA
1-7	Poklopac za zaštitu od buke	6-2	φ1*φ10.8 Opruga	7-7	Zadržni nosač 2	25	M4*0.8*10 Vijci
1-8	M3*10 Vijci	6-3	Poklopac regulacijskog ventila	7-8	Zadržni nosač 4	26	R18AC-0 Kućište (straga)
1-9	FP2040 Membranski ventil	6-4	φ27.8*φ2.0 O-prsten	7-9	FP2040 matica ispuha	27	M6*1.0*25 Vijci
1-10	3310 Bakreni element	6-5	R18AC-0 Sklop stupa regulacijskog ventila	7-10	Matica usisa	28	M6 Matica
1-11	Klip	6-6	φ3*20.5 Opruga	7-11	R18AC-0 Matica	29	M4*0.7 Vijci
1-12	Teflonski uskočni prsten	6-7	Klip regulacijskog ventila	7-12	Zadržni nosač 3	30	15A zaštita od preopterećenja
1-13	Cijev cilindra	6-8	φ21.2*φ2.5 O-prsten	7-13	Matica nepovratnog ventila	31	R18AC-0 Kućište (u sredini)
1-14	FP2040 φ31.5*2 Gumena brtva	6-9	Namjestiva matica	7-14	Rukohvat	32	R18AC-0 Kućište (sprijeda)
1-15	Komplet glave cilindra	6-10	φ11.2*φ1.8 O-prsten	7-15	Kutni priključak	33	R18AC-0 Žični sklop
1-16	Teflonsko brtvilo	6-11	7.4*5.8 Gumeni čep	7-16	Ispusni ventil	33-1	Terminal
1-17	Membranski ventil	6-12	φ5.6*φ0.8 Opruga	7-17	Prekidač tlaka (6-8bar)	33-2	Stezaljka (φ8.0*25mm)
1-18	R18AC-0 Sklop glave cilindra + crijeva	6-13	Tijelo regulatora	7-18	Opruga	33-3	16AWG Crvena žica
1-18-1	Glava cilindra	6-15	1.5" 210PS Plastični mjerac kompresora za zrak	7-19	Gumeni čep	33-4	250 Košuljice od PVC-a
1-18-2	Usisna bakrena glava	6-16	8mm Podloška	7-20	R18AC-0 Bakreni element nepovratnog ventila	33-5	75176-2 Terminal
1-18-3	Željezna petlja	6-17	Muška spojnica Euro 1/4"	9	Stezaljka	33-6	16AWG Crvena žica
1-18-4	10.5*90 mm crijevo	6-18	Sigurnosni ventil	10	Terminal	33-7	16AWG Crvena žica
1-19	M4*0.7*40 Vijci	6-19	Kutni priključak	11	31*13.5 Sklopka za Uklj./isklj. (ON/OFF)	34	M6*1.0*20 Vijci
1-20	M5*0.8*8 Vijci	6-20	0.3*11*13 Aluminijska cijev	13	ST6*10mm samourezni vijak	35	PCL muška spojnica brzog protoka od 1/4"
1-21	8 mm Prsten	6-21	10.5*99mm crijevo	14	R18AC-0 Gumeno podnožje		
3	Sklop upravljačke ploče	7	R18AC-0 Spremnik za boju ROHS/PRO65	15	6.5*17 mm Podloška		

(SL) SEZNAM DELOV

Št.	Opis	Št.	Opis	Št.	Opis	Št.	Opis
1	Sestav črpalke/ motorja	3-1	Žica nadzorne plošče	7-1	.8*293*376mm Ocefový plech	16	M4*1.5*16 samorezni vijak
1-1	Motor	3-2	Nadzorna plošča	7-2	.8*167*1005mm Ocefový plech	22	R18AC-0 Podnožje baterije
1-2	Ventilator	4	M6*16M samorezni vijak	7-3	Ročaj	23	R18AC-0 Prikluček baterije 0013PA66+25%gf
1-3	Protitež	5	M3*12 samorezni vijak	7-4	Podnožje rezervoarja	23-1	R18AC-0 desni prikluček baterije
1-4	Ležaj	6	R18AC-0 Sestav regulatorja	7-5	Nosilec motorja	23-2	R18AC-0 levi prikluček baterije
1-5	Povezovalna palica	6-1	Gumb regulatorja	7-6	Zadrževalni nosilec 1	24	PCBA
1-7	Protihrupni pokrov	6-2	φ1*φ10.8 Vzmet	7-7	Zadrževalni nosilec 2	25	M4*0.8*10 Vijaki
1-8	M3*10 Vijaki	6-3	Pokrov valja regulatorja	7-8	Zadrževalni nosilec 4	26	R18AC-0 Pegrinjalo (zadaj)
1-9	FP2040 Membranski ventil	6-4	φ27.8*φ2.0 O obroč	7-9	FP2040 izpušna matica	27	M6*1.0*25 Vijaki
1-10	3310 Baker	6-5	R18AC-0 Sestav stebra ventila regulatorja	7-10	Vstopna matica	28	M6 Matica
1-11	Bat	6-6	φ3*φ20.5 Vzmet	7-11	R18AC-0 Matica	29	M4*0.7 Vijaki
1-12	Teflonski zadrževalni obroč	6-7	Valj ventila regulatorja	7-12	Zadrževalni nosilec 3	30	15A preobremenilna zaščita
1-13	Cilindrična cevka	6-8	φ21.2*φ2.5 O obroč	7-13	Matica kontrolnega valja	31	R18AC-0 Pegrinjalo (na sredini)
1-14	FP2040 φ31.5*2 Gumijasto tesnilo	6-9	Nastavljiva matica	7-14	Ročaj	32	R18AC-0 Pegrinjalo (spredaj)
1-15	Komplet glave valja	6-10	φ11.2*φ1.8 O obroč	7-15	Komolec	33	R18AC-0 Sestav žic
1-16	Teflonsko tesnilo	6-11	7.4*5.8 Gumijast čep	7-16	Ovodni ventil	33-1	Prikluček
1-17	Membranski ventil	6-12	φ5.6*φ0.8 Vzmet	7-17	Tlačno stikalo (6-8bar)	33-2	Sponka (φ8.0*25mm)
1-18	R18AC-0 Sestav glave valja + cevi	6-13	Telo regulatorja	7-18	Vzmet	33-3	16AWG Rdeča žica
1-18-1	Glava valja	6-15	1.5" 210PSI Plastični merilnik zračnega kompresorja	7-19	Gumijast čep	33-4	250 Rokavi PVC
1-18-2	Vstopna bakrena glava	6-16	8mm Podložka	7-20	R18AC-0 Bakreni kontrolni ventil	33-5	5176-2 Prikluček
1-18-3	Železna zanka	6-17	Moška spojka Euro 1/4"	9	Sponka	33-6	16AWG Rdeča žica
1-18-4	10.5*90 mm cev	6-18	Varnostni ventil	10	Prikluček	33-7	16AWG Rdeča žica
1-19	M4*0.7*40 Vijaki	6-19	Komolec	11	31*13.5 Stikalo za vklop/ izklop	34	M6*1.0*20 Vijaki
1-20	M5*0.8*8 Vijaki	6-20	0.3*11*13 Aluminijeva cevka	13	ST6*10 mm samorezni vijak	35	Moška visokopretočna spojka PCL 1/4"
1-21	8 mm Obroč	6-21	10.5*99mm cev	14	R18AC-0 Gumijasto podnožje		
3	Sestav nadzorne plošče	7	R18AC-0 Barva za rezervoar ROHS/ PRO65	15	6.5*17 mm Podložka		

(SK) ZOZNAM DIELOV

Č.	Popis	Č.	Popis	Č.	Popis	Č.	Popis
1	Zostava čerpadla/ motora	3-1	Držiak na kábel na ovládaacom paneli	7-1	1.8*293*376mm Jekleni list	16	M4*1.5*16 závitorezná skrutka
1-1	Motor	3-2	Ovládací panel	7-2	1.8*167*1005mm Jekleni list	22	R18AC-0 Pátka akumulátora
1-2	Ventilátor	4	M6*16M závitorezná skrutka	7-3	Držadlo	23	R18AC-0 Svorka akumulátora 0013PA66+25%gf
1-3	Protizávažie	5	M3*12 závitorezná skrutka	7-4	Nožičky nádrže	23-1	R18AC-0 svorka akumulátora pravá
1-4	Ložisko	6	R18AC-0 Zostava regulátora	7-5	Konzola motora	23-2	R18AC-0 svorka akumulátora ľavá
1-5	Ojnica	6-1	Regulačný gombík	7-6	Upínacia svorka 1	24	PCBA
1-7	Timiaci kryt	6-2	φ1*φ10.8 Pružina	7-7	Upínacia svorka 2	25	M4*0.8*10 Skrutky
1-8	M3*10 Skrutky	6-3	Kryt regulačného ventilu	7-8	Upínacia svorka 4	26	R18AC-0 Kryt (zadná časť)
1-9	FP2040 Jazyčková klapka sacia	6-4	φ27.8*φ2.0 O-krúžok	7-9	FP2040 výfuková matica	27	M6*1.0*25 Skrutky
1-10	3310 Medená podložka	6-5	R18AC-0 Zostava bloku regulačného ventilu	7-10	Sacia matica	28	M6 Matica
1-11	Piest	6-6	φ3*φ20.5 Pružina	7-11	R18AC-0 Matica	29	M4*0.7 Skrutky
1-12	Teflonový poistný krúžok	6-7	Piest regulačného ventilu	7-12	Upínacia svorka 3	30	15A ochranné zariadenie proti preťaženiu
1-13	Valcová rúrka	6-8	φ21.2*φ2.5 O-krúžok	7-13	Matica spätného ventilu	31	R18AC-0 Kryt (stredná časť)
1-14	FP2040 φ31.5*2 Gumené tesnenie	6-9	Nastavovacia matica	7-14	Rúčka držadla	32	R18AC-0 Kryt (predná časť)
1-15	Súprava hlavy valca	6-10	φ11.2*φ1.8 O-krúžok	7-15	Kolienko	33	R18AC-0 Zostava vodičov
1-16	Teflonové tesnenie	6-11	7.4*5.8 Gumená zátka	7-16	Vypúšťací ventil	33-1	Koncovka
1-17	Jazyčková klapka výfuková	6-12	φ5.6*φ0.8 Pružina	7-17	Tiakový spínač (6-8bar)	33-2	Teplom zmršťiteľná objímka(φ8.0*25mm)
1-18	R18AC-0 Zostava hlavy valca a hadice	6-13	Teleso regulátora	7-18	Pružina	33-3	16AWG Červený vodič
1-18-1	Hlava valca	6-15	1.5" 210PSI Plastový manometer vzduchového kompresora	7-19	Gumená zátka	33-4	250 PVC objímky
1-18-2	Sacia medená hlavica	6-16	8mm Podložka	7-20	R18AC-0 Spätný ventil medený	33-5	75176-2 Koncovka
1-18-3	Železný krúžok	6-17	Zástrčková euro spojka 1/4"	9	Teplom zmršťiteľná objímka	33-6	16AWG Červený vodič
1-18-4	10.5*90 mm hadica	6-18	Poistný ventil	10	Koncovka	33-7	16AWG Červený vodič
1-19	M4*0.7*40 Skrutky	6-19	Kolienko	11	31*13.5 Hlavný spínač	34	M6*1.0*20 Skrutky
1-20	M5*0.8*8 Skrutky	6-20	0.3*11*13 Hliníková rúrka	13	ST6*10 mm závitorezná skrutka	35	PLC spojka s vonkajším závitom 1/4" pre vysoký prietok
1-21	8 mm Krúžok	6-21	10.5*99mm hadica	14	R18AC-0 Gumené nožičky		
3	Zostava ovládacieho panela	7	R18AC-0 Náter nádrže ROHS/ PRO65	15	6.5*17 mm Podložka		

(BG) СПИСЪК С ЧАСТИ

№	Описание	№	Описание	№	Описание	№	Описание
1	Блок на помпа/ двигател	3-1	Кабел на пулта за управление	7-1	1.8*293*376mm Стоманен лист	16	M4*1.5*16 Самонарезни винтове
1-1	Мотор	3-2	Пулт за управление	7-2	1.8*167*1005mm Стоманен лист	22	R18AC-0 Капак на батерията
1-2	вентилатор	4	M6*16M Самонарезни винтове	7-3	Ръкохватка	23	R18AC-0 Клема на батерията 0013PA66+25%gf
1-3	Противотежест	5	M3*12 Самонарезни винтове	7-4	Крака на резервоар	23-1	R18AC-0 дясна клема на батерията
1-4	Лагер	6	R18AC-0 Блок на регулатор	7-5	Скоба на двигател	23-2	R18AC-0 лява клема на батерията
1-5	Свързващ прът	6-1	Регулатор	7-6	Задържаща скоба 1	24	PCBA
1-7	Шумоизолиращ капак	6-2	φ1*φ10.8 пружина	7-7	Задържаща скоба 2	25	M4*0.8*10 Винт
1-8	M3*10 Винт	6-3	Капак на клапана за регулиране	7-8	Задържаща скоба 4	26	Покривало (обратно)
1-9	FP2040 Мембранен клапан	6-4	φ27.8*φ2.0 О-пръстен	7-9	FP2040 гайка за изпускане	27	M6*1.0*25 Винт
1-10	3310 Мед	6-5	R18AC-0 Блок на колоната на клапана за регулиране	7-10	Гайка за всмукване	28	M6 гайка
1-11	Бутало	6-6	φ3*20.5 пружина	7-11	R18AC-0 гайка	29	M4*0.7 Винт
1-12	Тефлонов задържащ пръстен	6-7	Бутало на клапана за регулиране	7-12	Задържаща скоба 3	30	15A Устройство за защита срещу претоварване
1-13	Цилиндрична тръба	6-8	φ21.2*φ2.5 О-пръстен	7-13	Гайка на възвратен клапан	31	Покривало (в средата)
1-14	FP2040 φ31.5*2 Гумено уплътнение	6-9	Регулируема гайка	7-14	Дръжка на ръкохватката	32	Покривало (отпред)
1-15	Комплект на цилиндровата глава	6-10	φ11.2*φ1.8 О-пръстен	7-15	Коляно	33	R18AC-0 Комплект проводници
1-16	Тефлоново уплътнение	6-11	7.4*5.8 Гумена запушалка	7-16	Изпускателен вентил	33-1	Клема
1-17	Мембранен клапан	6-12	φ5.6*φ0.8 пружина	7-17	Превключвател за налягането (6-8bar)	33-2	Скоба (φ8.0*25mm)
1-18	R18AC-0 Цилиндрична глава + комплект на маркуч	6-13	Корпус на регулатора	7-18	Пружина	33-3	16AWG Червен проводник
1-18-1	Цилиндрична глава	6-15	1.5" 210PSI Манометър на пластмасовия въздушен компресор	7-19	Гумена запушалка	33-4	250 PVC ръкави
1-18-2	Всмукателна медна глава	6-16	8mm Шайба	7-20	R18AC-0 Меден възвратен клапан	33-5	75176-2 Клема
1-18-3	Желязна халка	6-17	Съединител Euro 1/4", мъжки	9	Скоба	33-6	16AWG Червен проводник
1-18-4	10.5*90 mm маркуч	6-18	Предпазен вентил	10	Клема	33-7	16AWG Червен проводник
1-19	M4*0.7*40 Винт	6-19	Коляно	11	31*13.5 Превключвател ПУСКАНЕ/СПИРАНЕ	34	M6*1.0*20 Винт
1-20	M5*0.8*8 Винт	6-20	0.3*11*13 Алуминиева тръба	13	ST6*10mm Самонарезни винтове	35	PCL високодебитен мъжки съединител 1/4"
1-21	8 mm пръстен	6-21	10.5*99mm маркуч	14	R18AC-0 Гумени крачета		
3	Блок на пулта за управление	7	R18AC-0 Боя за резервоари ROHS / PRO65	15	6.5*17 mm Шайба		

(UK) СПИСОК ДЕТАЛЕЙ

№	Опис	№	Опис	№	Опис	№	Опис
1	Насос/Двигун у зборі	3-1	Провід панелі управління	7-1	18*293*376mm Сталевий лист	16	M4*1.5*16 саморіз
1-1	Двигун	3-2	Панель керування	7-2	18*167*1005mm Сталевий лист	22	R18AC-0 Ніжка акумулятора
1-2	Вентилятор	4	M6*16M саморіз	7-3	Ручка	23	R18AC-0 Клема акумулятора 0013PA66+25%gf
1-3	Противага	5	M3*12 саморіз	7-4	Ніжка бака	23-1	R18AC-0 Права клема акумулятора
1-4	Підшипник	6	R18AC-0 Регулятор у зборі	7-5	Кронштейн двигуна	23-2	R18AC-0 Ліва клема акумулятора
1-5	Шатун	6-1	Ручка регулятора	7-6	Термоусаджувальна манжета 1	24	PCBA
1-7	Протишумовий чохол	6-2	φ1*φ10.8 Пружина	7-7	Термоусаджувальна манжета 2	25	M4*0.8*10 Гвинт
1-8	M3*10 Гвинт	6-3	Кришка регулювального клапана	7-8	Термоусаджувальна манжета 4	26	R18AC-0 Обід(задній)
1-9	FP2040 Зворотний клапан	6-4	φ27.8*φ2.0 O-образне ущільнювальне кільце	7-9	FP2040 витяжна гайка	27	M6*1.0*25 Гвинт
1-10	3310 Мідь	6-5	R18AC-0 Колонка редуктора у збірці	7-10	Гайка впуску	28	M6 гайка
1-11	Поршень	6-6	φ3*20.5 Пружина	7-11	R18AC-0 гайка	29	M4*0.7 Гвинт
1-12	Тефлонове утримувальне кільце	6-7	Поршень регулювального клапана	7-12	Термоусаджувальна манжета 3	30	15A захист від перевантаження
1-13	Патрубок циліндра	6-8	φ21.2*φ2.5 O-образне ущільнювальне кільце	7-13	Перевірте гайку клапана	31	R18AC-0 Обід (середній)
1-14	FP2040 φ31.5*2 Гумове ущільнення	6-9	Регульована гайка	7-14	Ручка	32	R18AC-0 Обід (передній)
1-15	Набір головки циліндрів	6-10	φ11.2*φ1.8 O-образне ущільнювальне кільце	7-15	Коліно	33	R18AC-0 Дріт
1-16	Тефлонова прокладка	6-11	7.4*5.8 Гумова пробка	7-16	Дренажний клапан	33-1	Клема
1-17	Зворотний клапан	6-12	φ5.6*φ0.8 Пружина	7-17	Вимикач тиску (6-8bar)	33-2	Термоусаджувальна манжета (φ8.0*25mm)
1-18	R18AC-0 Головка циліндра + шланг у зборі	6-13	Корпус регулятора	7-18	Пружина	33-3	16AWG Червоний дріт
1-18-1	Головка циліндрів	6-15	1.5" 210PSI Пластиковий манометр повітряного компресора	7-19	Гумова пробка	33-4	250 Шланги ПВХ
1-18-2	Впускна мідна головка	6-16	8mm шайба	7-20	R18AC-0 Перевірте мідний клапан	33-5	75176 -2 Клема
1-18-3	Залізна петля	6-17	З'єднувальна вставна муфта європейського стандарту 1/4"	9	Термоусаджувальна манжета	33-6	16AWG Червоний дріт
1-18-4	10.5*90 mm шланг	6-18	Запобіжний клапан	10	Клема	33-7	16AWG Червоний дріт
1-19	M4*0.7*40 Гвинт	6-19	Коліно	11	31*13.5 Перемикач увімкн. / вимкн.	34	M6*1.0*20 Гвинт
1-20	M5*0.8*8 Гвинт	6-20	0.3*11*13 Алюмінієва трубка	13	ST6*10mm саморіз	35	Швидкороз'ємне з'єднання (папа) PCL з вільним потоком 1/4"
1-21	8 mm Кільце	6-21	10.5*99mm шланг	14	R18AC-0 Гумові ніжки		
3	Панель управління у зборі	7	R18AC-0 Бак Фарба ROHS /PRO65	15	6.5*17 mm шайба		

(TR) PARA LİSTESİ

No.	Açıklama	No.	Açıklama	No.	Açıklama	No.	Açıklama
1	Pompa/Motor grubu	3-1	Kumanda panosu kablosu	7-1	1.8*293*376mm Çelik levha	16	M4*1.5*16 sac vidası
1-1	Motor	3-2	Kontrol paneli	7-2	1.8*167*1005mm Çelik levha	22	R18AC-0 Batarya ayağı
1-2	Fan	4	M6*16M sac vidası	7-3	Tutamak	23	R18AC-0 Batarya terminali 0013PA66+25%gf
1-3	Eş ağırlık	5	M3*12 sac vidası	7-4	Tank ayakları	23-1	R18AC batarya terminali sağ
1-4	Yatak	6	R18AC-0 Regülatör grubu	7-5	Motor braketi	23-2	R18AC batarya terminali sol
1-5	Bağlantı çubuğu	6-1	Regülatör düğmesi	7-6	tutma braketi 1	24	PCBA
1-7	Gürültü önleme kapağı	6-2	φ1*φ10.8 spring	7-7	tutma braketi 2	25	M4*0.8*10 Vidalar
1-8	M3*10 Vidalar	6-3	Düzenleyici valf kapağı	7-8	tutma braketi 4	26	R18AC-0 Kanat (arka)
1-9	FP2040 Diyaframlı valf	6-4	φ27.8*φ2.0 yuvarlak conta	7-9	FP2040 egzoz somunu	27	M6*1.0*25 Vidalar
1-10	3310 dakika	6-5	R18AC-0 Regülatör valfi sütun grubu	7-10	Giriş somunu	28	M6 Somun
1-11	Piston	6-6	φ3*20.5 Yay	7-11	R18AC-0 Somun	29	M4*0.7 Vidalar
1-12	Teflon tutma halkası	6-7	Düzenleyici valf pistonu	7-12	tutma braketi 3	30	15A aşırı yük koruması
1-13	Silindir tüp	6-8	φ21.2*φ2.5 yuvarlak conta	7-13	Kontrol valfi somunu	31	R18AC-0 Kanat (orta)
1-14	FP2040 φ31.5*2 Lastik conta	6-9	Ayarlanabilir somun	7-14	Kavrama tutamağı	32	R18AC-0 Kanat (ön)
1-15	Silindir kafa seti	6-10	φ11.2*φ21.8 yuvarlak conta	7-15	Dirsek	33	R18AC-0 Kablo grubu
1-16	Teflon salmastra	6-11	7.4*5.8 Lastik tıpa	7-16	Tahliye valfi	33-1	Terminal
1-17	Diyaframlı valf	6-12	φ5.6*φ0.8Yay	7-17	Basınç anahtarı (6-8bar)	33-2	Klips (φ8.0*25mm)
1-18	R18AC-0 Silindir kafası + hortum grubu	6-13	Regülatör gövdesi	7-18	Yay	33-3	16AWG Kırmızı kablo
1-18-1	Silindir kafası	6-15	1.5" 210PSI Plastik hava kompresörü ölçeđi	7-19	Lastik tıpa	33-4	250 PVC Manşonlar
1-18-2	Giriş bakır kafa	6-16	8mm Pul	7-20	R18AC-0 Kontrol valfi bakır	33-5	75176-2 Terminal
1-18-3	Demir halka	6-17	Euro 1/4" erkek kuplör	9	Klips	33-6	16AWG Kırmızı kablo
1-18-4	10.5*90 mm hortum	6-18	Emniyet valfi	10	Terminal	33-7	16AWG Kırmızı kablo
1-19	M4*0.7*40 Vidalar	6-19	Dirsek	11	31*13.5 Açma/kapama anahtarı	34	M6*1.0*20 Vidalar
1-20	M5*0.8*8 Vidalar	6-20	0.3*11*13 Alüminyum boru	13	ST6*10 mm sac vidası	35	PCL yüksek akış stili erkek kuplör 1/4"
1-21	8 mm Halka	6-21	10.5*99mm hortum	14	R18AC-0 Lastik ayaklar		
3	Kontrol paneli grubu	7	R18AC-0 Tank Boyası ROHS/ PRO65	15	6.5*17 mm Pul		

(EL) ΛΙΣΤΑ ΕΞΑΡΤΗΜΑΤΩΝ

Αρ.	Περιγραφή	Αρ.	Περιγραφή	Αρ.	Περιγραφή	Αρ.	Περιγραφή
1	Συγκρότημα αντλίας/κινητήρα	3-1	Σύρμα πίνακα ελέγχου	7-1	1.8*293*376mm Φύλλο χάλυβα	16	M4*1.5*16 αυτοκοχλιούμενη βίδα
1-1	Κινητήρας	3-2	Πίνακας ελέγχου	7-2	1.8*167*1005mm Φύλλο χάλυβα	22	R18AC-0 Βάση μπαταρίας
1-2	Ανεμιστήρας	4	M6*16M αυτοκοχλιούμενη βίδα	7-3	Λαβή	23	R18AC-0 Ακροδέκτης μπαταρίας 013PA66+25%gf
1-3	Αντίβαρο	5	M3*12 αυτοκοχλιούμενη βίδα	7-4	Πόδια δεξαμενής	23-1	R18AC-0 ακροδέκτης μπαταρίας δεξιάς
1-4	Έδρανο	6	R18AC-0 Συγκρότημα ρυθμιστή	7-5	Βραχίονας κινητήρα	23-2	R18AC-0 ακροδέκτης μπαταρίας αριστερός
1-5	Συνδετήρια ράβδος	6-1	Διακόπτης ρυθμιστή	7-6	Βραχίονας συγκράτησης 1	24	PCBA
1-7	Αντιθρομβικό κάλυμμα	6-2	φ1*φ10.8 Ελατήριο	7-7	Βραχίονας συγκράτησης 2	25	M4*0.8*10 Βιδ
1-8	M3*10 Βιδ	6-3	Κάλυμμα ρυθμιστικής βαλβίδας	7-8	Βραχίονας συγκράτησης 4	26	R18AC-0 Κάλυμμα (πίσω)
1-9	FP2040 Βαλβίδα Reed εισαγωγής	6-4	φ27.8*φ2.0 Ροδέλα	7-9	FP2040 Παξιμάδι εξαγωγής	27	M6*1.0*25 Βιδ
1-10	3310 Χαλκοτεμάχιο	6-5	R18AC-0 Συγκρότημα στήλης βαλβίδας ρυθμιστή	7-10	Παξιμάδι εισαγωγής	28	M6 Παξιμάδι
1-11	Πιστόνι	6-6	φ3*20.5 Ελατήριο	7-11	R18AC-0 Παξιμάδι	29	M4*0.7 Βιδ
1-12	Δακτύλιος συγκράτησης από τεφλόν	6-7	Έμβολο ρυθμιστικής βαλβίδας	7-12	Βραχίονας συγκράτησης 3	30	15A προστασία υπερφόρτωσης
1-13	Κυλινδρικός σωλήνας	6-8	φ21.2*φ2.5 Ροδέλα	7-13	Παξιμάδι βαλβίδας ελέγχου	31	R18AC-0 Κάλυμμα (μεσαίο)
1-14	FP2040 φ31.5*2 Ελαστική σφράγιση	6-9	Ρυθμιζόμενο παξιμάδι	7-14	Λαβή	32	R18AC-0 Κάλυμμα (εμπρός)
1-15	Σετ κεφαλής κυλίνδρου	6-10	φ11.2*φ1.8 Ροδέλα	7-15	Γωνιά	33	R18AC-0 Συγκρότημα συρμάτων
1-16	Φλάντζα τεφλόν	6-11	7.4*5.8 Ελαστική τάπα	7-16	Βαλβίδα αποστράγγισης	33-1	Τερματικό
1-17	Βαλβίδα Reed εξαγωγής	6-12	φ5.6*φ0.8 Ελατήριο	7-17	Διακόπτης πίεσης (6-8bar)	33-2	Θερμοσυστελλόμενο περίβλημα (φ8.0*25mm)
1-18	R18AC-0 Συγκρότημα κεφαλής κυλίνδρου + εύκαμπτος σωλήνας	6-13	Σώμα ρυθμιστή	7-18	Ελατήριο	33-3	16AWG Κόκκινο σύρμα
1-18-1	Κεφαλή κυλίνδρου	6-15	1.5" 210PS Πλαστικός δείκτης αεροσυμπιεστή	7-19	Ελαστική τάπα	33-4	250 Θήκες PVC
1-18-2	Χάλκινη κεφαλή εισαγωγής	6-16	8mm Ροδέλα	7-20	R18AC-0 Χαλκοτεμάχιο βαλβίδας ελέγχου	33-5	75176-2 Τερματικό
1-18-3	Σιδερένιος βρόχος	6-17	Αρσενικός σύνδεσμος Euro 1/4"	9	Θερμοσυστελλόμενο περίβλημα	33-6	16AWG Κόκκινο σύρμα
1-18-4	10.5*90 mm εύκαμπτος σωλήνας	6-18	Βαλβίδα ασφάλειας	10	Τερματικό	33-7	16AWG Κόκκινο σύρμα
1-19	M4*0.7*40 Βιδ	6-19	Γωνιά	11	31*13.5 Διακόπτης ενεργοποίησης/ απενεργοποίησης (on/off)	34	M6*1.0*20 Βιδ
1-20	M5*0.8*8 Βιδ	6-20	0.3*11*13 Σωλήνας αλουμινίου	13	ST6*10mm αυτοκοχλιούμενη βίδα	35	Αρσενικός σύνδεσμος PCL τύπου υψηλής ροής 1/4"
1-21	8 mm Δακτύλιος	6-21	10.5*99mm εύκαμπτος σωλήνας	14	R18AC-0 Ελαστικά πόδια		
3	Συγκρότημα πίνακα ελέγχου	7	R18AC-0 Βαφή δεξαμενής ROHS/PRO65	15	6.5*17 mm Ροδέλα		





	English	Français	Deutsch	Español	Italiano	Nederlands
	Circuit diagram	Schéma électrique	Schaltbild	Diagrama del circuito	Schema elettrico	Bedradingsschema
A	ON/OFF switch	Interrupteur marche/arrêt	Ein-/Ausschalter	Interruptor de encendido/apagado	Interruttore On/Off (Acceso/Spento)	Aan-/uitschakelaar
B	Overload protector	Limiteur de surcharge	Überlastschutz	protector contra sobrecargas	Protezione da sovraccarichi	bescherming tegen overbelasting
C	Pressure switch	Pressostat	Ein-/Ausschalter	Presóstato	Interruttore pressione	Drukschakelaar
D	PCB	PCB	PCB	PCB	PCB	PCB

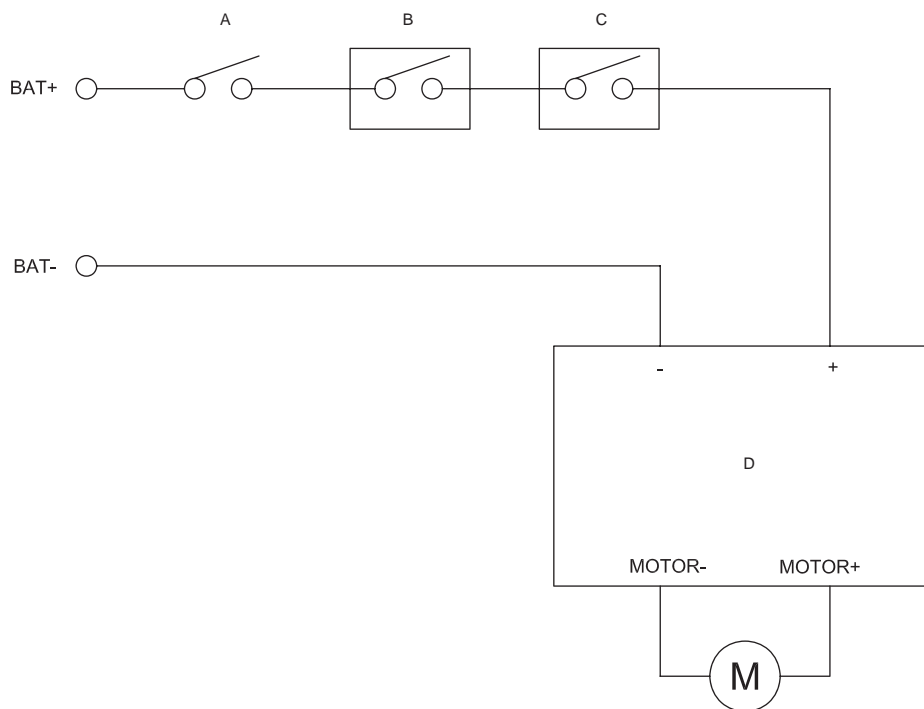
	Português	Dansk	Svenska	Suomi	Norsk
	Diagrama do circuito	Kredsløbsdiagram	Kretsdiagram	Kytkentäkaavio	Koblingskjema
A	Interruptor desligado/ligado	Tænd/Sluk-kontakt	Av/på-knapp	Käynnistys/sammutuskytkin	Av/På-bryter
B	Protetor de sobrecarga	overbelastningsbeskytter	överbelastningskydd	ylikuormitusuoja	overbelastningsvern
C	Pressóstato	Pressostat	Tryckvakt	Painekytkin	Trykkbryter
D	PCB	PCB	PCB	PCB	PCB

	Русский	Polski	Čeština	Magyar	Română
	Электрическая схема	Schemat zasadniczy	Obvodové schéma	Kapcsolási rajz	Schema de circuite
A	Тумблер включения/выключения	Przełącznik Wł-Wył	Spínač On/Off (Zaprnuo/Vypnuo)	Bé/ki kapcsoló	Înterupător pomire/oprire
B	устройство защиты от перегрузки	zabezpieczenie przed przeciążeniem	proudový chránič	túlterhelésvédő	Protectie la suprasarcină
C	Реле давления	Przełącznik ciśnienia	Tlakový spínač	Nyomáskapcsoló	Presostat
D	PCB	PCB	PCB	PCB	PCB

	Latviski	Lietuviškai	Eesti	Hrvatski	Slovensko
	Elektroslēguma diagramma	Elektros grandinēs schema	Vooluringi skeem	Shema strujnog kruga	Diagram tokokroga
A	ieslēgšanas/zslēgšanas slēdzis	Ijungimo / išjungimo mygtukas	„Sisse/välja“-lüüti	Sklopka za Uklj./isklj. (ON/OFF)	Stikalo za vklop/izklop
B	pārslodzes aizsardzība	Perkrovo saugiklis	ülekoormuskaitse	zaštita od preopterećenja	preobremenilna zaščita
C	Spiedienrelejs	Slēgio perjungiklis	Rõhulüüti	Prekidač tlaka	Tlačno stikalo
D	PCB	PCB	PCB	PCB	PCB

	Slovenčina	България	Українська	Turce	Greek
	Schéma zapojenia obvodu	Електрическа схема	Кругова діаграма	Devre şemasi	Διάγραμμα κυκλωμάτων
A	Hlavný spínač	Превключвател ON/OFF (ВКЛЮЧВАНЕ/ИЗКЛЮЧВАНЕ)	Перемикач увімкн. / вимкн.	Açma/kapama anahtarı	Διακόπτης ενεργοποίησης/ απενεργοποίησης (on/off)
B	ochranné zariadenie proti preťaženiu	Устройство за защита срещу претоварване	захист від перевантаження	aşırı yük koruması	προστασία υπερφόρτωσης
C	Tlakový spínač	Превключвател за налягането	Вимикач тиску	Basınç anahtarı	Διακόπτης πίεσης
D	PCB	PCB	PCB	PCB	PCB







EN RYOBI® WARRANTY APPLICATION CONDITIONS

In addition to any statutory rights resulting from the purchase, this product is covered by a warranty as stated below.

- The warranty period is 24 months for consumers and commences on the date the product was purchased. This date has to be documented by an invoice or other proof of purchase. The product is designed and dedicated to consumer and private use only. So there is no warranty provided in case of professional or commercial use. This warranty applies only on new products.
- There is a possibility to extend for a part of the range of power tools (AC/DC) the warranty period over the period described above using the registration on the www.ryobitools.eu website. The eligibility of products for extended warranty is clearly displayed in stores and / or on packaging and is contained within the product documentation. The end user is required to register his/her newly-acquired products online within 30 days from the date of purchase. The end user may register for the extended warranty in his/her country of residence if listed on the online registration form where this option is valid. Furthermore, end users must give their consent to the storage of their personal data that is required to be entered online. They must also accept the terms and conditions. The registration confirmation receipt, which is sent out by e-mail, and the original invoice showing the date of purchase will serve as proof of the extended warranty.
- The warranty covers all defects of the product during the warranty period due to faults in workmanship or material at the purchase date. The warranty is limited to repair and/or replacement and does not include any other obligations including but not limited to incidental or consequential damages. The warranty is not valid if the product has been misused, used contrary to the instruction manual, or has been incorrectly connected to a power supply. This warranty does not apply to:
 - any damage to the product that is the result of improper or lack of maintenance
 - any product that has been altered or modified
 - any product where original identification (trade mark, serial number) markings have been defaced, altered or removed
 - any damage caused by non-observance of the instruction manual
 - any product not displaying the CE approval mark on the rating plate
 - any product that has been attempted to be repaired by a non-authorized warranty service centre or without prior authorisation by Techtronic Industries
 - any product connected to improper power supply (amps, voltage, frequency)
 - any damage caused by external influences (water, chemical, physical, shocks) or foreign substances
 - normal wear and tear spare parts
 - inappropriate use, overloading of the tool
 - use of non-approved accessories or parts
 - Power tool accessories provided with the tool or purchased separately, including but not limited to screw driver bits, drill bits, abrasive discs, sand paper and blades, lateral guide, etc.
 - Components (parts and accessories) subject to natural wear and tear, including but not limited to service & maintenance kits, carbon brushes, bearings, chuck, SDS drill bit attachment or reception, power cord, auxiliary handle, transport carry case, sanding plate, dust bag, dust exhaust tube, felt washers, impact wrench pins & springs, etc.
- For servicing, the product must be sent or presented to a RYOBI authorised service station listed for each country in the following list of service station addresses. In some countries your local RYOBI dealer undertakes to send the product to the RYOBI service organisation. When sending a product to a RYOBI service station, the product should be safely packed without any dangerous contents such as petrol, marked with sender's address and accompanied by a short description of the fault.
- A repair / replacement under this warranty is free of charge. It does not constitute an extension or a new start of the warranty period. Exchanged parts or products become our property. In some countries delivery charges or postage will have to be paid by the sender. Your statutory rights arising from the purchase of the product remain unaffected
- This warranty is valid in the European Community, Switzerland, Iceland, Norway, Liechtenstein, Turkey and Russia. Outside these areas, please contact your authorised RYOBI dealer to determine if another warranty applies.

AUTHORISED SERVICE CENTRE

To find an authorised service centre near you, visit <http://uk.ryobitools.eu/header/service-and-support/service-agents>

FR RYOBI® CONDITIONS D'APPLICATION DE LA GARANTIE

En plus des droits statutaires liés à l'achat, ce produit est couvert par une garantie telle que décrite ci-dessous.

- La durée de la garantie accordée au consommateur est de 24 mois à partir de la date d'achat. Cette date doit être authentifiée par une facture ou toute autre preuve d'achat. Le produit a été conçu en vue d'une utilisation strictement privée. Aucune garantie ne s'applique donc en cas d'utilisation professionnelle ou commerciale.
- Il existe pour une partie de la gamme d'outils électroportatifs (AC/DC), une possibilité d'étendre la période de garantie au-delà de la période précédemment décrite en utilisant le formulaire d'enregistrement présent sur le site Internet www.ryobitools.eu. L'éligibilité d'un outil est clairement affichée dans les points de vente et/ou sur l'emballage et la documentation. L'utilisateur final doit enregistrer son/ses outil(s) nouvellement acheté(s) en ligne dans les 30 jours qui suivent la date d'achat. L'utilisateur a la possibilité de s'enregistrer pour l'extension de garantie dans son pays de résidence si celui-ci est listé dans le formulaire d'enregistrement en ligne où cette option est valide. L'utilisateur final doit donner son consentement pour l'enregistrement des données requises pour accéder au site et doit accepter les termes et conditions. La confirmation d'enregistrement, envoyée par courrier électronique, ainsi que la facture originale mentionnant la date d'achat serviront de preuve de l'extension de garantie.
- La garantie couvre pendant la période de garantie les défauts des produits liés à la fabrication et aux matériaux à la date d'achat. La garantie est limitée à la réparation et/ou au remplacement et n'inclut aucune autre obligation, tel que, mais sans s'y limiter, les dommages accessoires ou indirects. La garantie est non valable en cas de mauvaise utilisation du produit, d'utilisation contraire aux instructions du mode d'emploi, ou en cas de branchement incorrect. Cette garantie ne s'applique pas pour :
 - tout dommage au produit résultant d'un mauvais entretien
 - tout produit ayant été altéré ou modifié
 - tout produit dont les marquages originaux d'identification (marque, numéro de série) ont été dégradés, altérés ou retirés
 - tout dommage causé par le non-respect des instructions du mode d'emploi
 - tout produit non CE
 - tout produit ayant subi une tentative de réparation par du personnel non qualifié ou sans autorisation préalable de Techtronic Industries
 - tout produit raccordé à une alimentation secteur non conforme (ampérage, voltage, fréquence)
 - tout dommage causé par des influences extérieures (chimiques, physiques, chocs) ou par des substances étrangères
 - l'usure normale des pièces consommables
 - une utilisation inappropriée, une surcharge de l'outil
 - l'utilisation de pièces ou accessoires non agréés
 - accessoires de l'outil électrique fournis avec l'outil ou achetés séparément. Cela comprend notamment les embouts de vissage, les forets de perceuse, les disques abrasifs, le papier de verre et les lames, le guide latéral
 - Les composants (pièces et accessoires) sujets à l'usure naturelle, ceci incluant notamment les mandrins, les charbons, adaptateurs SDS, les cordons d'alimentation, les poignées auxiliaires, les mallettes de transport, les plateaux de ponçage, les sacs collecteurs de poussière, les tubes d'extraction de poussière, les carrés de clé à choc, etc.
- Si le produit doit être réparé, envoyez-le à un service après-vente agréé RYOBI dont vous trouverez ci-dessous la liste pour chaque pays. Dans certains pays, votre revendeur RYOBI se chargera d'envoyer le produit à un centre de réparation RYOBI. Lorsque vous envoyez un produit à un service après-vente RYOBI, celui-ci doit être correctement emballé, sans contenir aucun produit dangereux tel que de l'essence, et vous devez indiquer votre adresse ainsi qu'une courte description du problème.
- Une réparation / un remplacement sous garantie est gratuit(e). Ceci ne constituera pas une extension de garantie ni un nouveau départ de la période de garantie. Les pièces ou les outils remplacés deviennent notre propriété. Dans certains pays, les frais de port devront être assumés par l'expéditeur. Vos droits statutaires restent inchangés.
- Cette garantie est valable au sein de l'Europe, de la Suisse, de l'Islande, de la Norvège, du Liechtenstein, de la Turquie, de la Russie. En dehors de ces zones, veuillez contacter votre distributeur agréé RYOBI pour déterminer si une autre garantie s'applique.

SERVICE APRÈS-VENTE AGRÉÉ

Pour trouver le service après-vente agréé le plus proche, rendez-vous sur <http://fr.ryobitools.eu/header/service-and-support/service-agents>.



DE RYOBI® GARANTIEBEDINGUNGEN

Zusätzlich zu den gesetzlichen Rechten aus dem Kauf gilt für dieses Produkt die nachstehend aufgeführte Garantie.

- Der Garantiezeitraum beträgt für Verbraucher 24 Monate und beginnt mit dem Datum des Kaufs. Dieses Datum muss durch eine Rechnung oder einen anderen Kaufbeleg dokumentiert werden. Dieses Produkt wurde ausschließlich zur privaten Nutzung durch Verbraucher entwickelt. Für den Fall einer professionellen bzw. kommerziellen Nutzung besteht daher keine Garantie.
- Es besteht die Möglichkeit, für einen Teil des Sortiments der Elektrogeräte (AC/DC) den Garantiezeitraum über den oben genannten Zeitraum hinaus zu verlängern, indem der Verbraucher die Registrierung auf der Website www.ryobitools.eu durchführt. Die Berechtigung der Werkzeuge für die Garantieverlängerung ist deutlich im Geschäft und/oder auf der Verpackung beschrieben und in der Produktdokumentation erwähnt. Der Verbraucher muss das neu erworbene Gerät online innerhalb von 30 Tagen ab dem Kaufdatum registrieren. Der Verbraucher kann das Gerät zwecks Garantieverlängerung in seinem Wohnsitzland/Heimatland registrieren, wenn dieses Land auf dem Online-Registrierungsformular aufgeführt ist und die Option gültig ist. Darüber hinaus muss der Verbraucher seine Zustimmung zur Speicherung der Daten geben, die online eingegeben werden müssen, und er muss die allgemeinen Geschäftsbedingungen akzeptieren. Die Bestätigung der Registrierung, die per E-Mail versandt wird, und die Originalrechnung mit dem Kaufdatum gelten als Beleg für die Garantieverlängerung.
- Die Garantie deckt alle Defekte des Geräts während des Garantiezeitraums ab, die auf zum Zeitpunkt des Kaufs bestehende Verarbeitungs- oder Materialfehler zurückzuführen sind. Die Garantie beschränkt sich auf Reparatur und/oder Ersatz und beinhaltet keine anderen Verpflichtungen, insbesondere keinen Schadenersatz für Folge- oder Nebenschäden. Die Garantie gilt nicht, wenn das Gerät fehlerhaft eingesetzt wurde, gegenseitlich zur Bedienungsanleitung eingesetzt wurde oder falsch angeschlossen wurde. Die Garantie gilt nicht für Folgendes:
 - Schäden am Gerät, die auf unkorrekte Wartung zurückzuführen sind
 - Geräte, an denen Veränderungen vorgenommen wurden
 - Produkte, bei denen die ursprüngliche Identifizierung (Handelsmarke, Seriennummer) unleserlich gemacht, verändert oder entfernt wurde
 - Schäden durch Nichtbeachtung der Bedienungsanleitung
 - nicht-CE-zertifizierte Geräte
 - Geräte, an denen durch nicht-qualifizierte Personen oder ohne vorherige Genehmigung von Techtronic Industries Reparaturversuche vorgenommen wurden
 - Geräte, die an unkorrekte Energiequellen (Ampere, Volt, Frequenz) angeschlossen wurden
 - Schäden durch äußere Einflüsse (chemisch, physisch, Stöße) oder Fremdstoffe
 - normaler Verschleiß von Ersatzteilen
 - unangemessene Nutzung, Überlastung des Geräts
 - Nutzung nicht genehmigter Zubehörteile oder Ersatzteile
 - mit dem Gerät gelieferte oder separat erworbene Zubehörteile. Dieser Anschluss beinhaltet, ist aber nicht beschränkt auf Schraubendreher-Bits, Bohreinsätze, Schleifscheiben, Sandpapier und Klingen, Seitenführungen
 - Komponenten (Ersatzteile und Zubehörteile), die natürlichen und normalen Verschleißerscheinungen unterworfen sind, einschließlich aber nicht beschränkt auf: Service- und Wartungssätze, Kohlebürsten, Lager, Spannfutter, SDS-Bohreraufnahme /Bit-Adapter, Netzkaabel, Zusatzhandgriff, Transportkoffer, Schleifteller, Staubbeutel, Staubabsaugrohr, Filzunterlegscheiben, Bolzen und Federn von Schlagschraubern usw.
- Zum Service muss das Gerät zu einer von RYOBI autorisierten Servicestation gebracht oder dorthin gesendet werden. Die Servicestationen für die einzelnen Länder sind in der folgenden Liste aufgeführt. In einigen Ländern sendet Ihr RYOBI-Händler vor Ort das Gerät an das RYOBI-Serviceunternehmen. Beim Einsenden an die RYOBI-Servicestation sollte das Gerät sicher verpackt sein, ohne gefährliche Inhalte wie Benzin, und es sollte mit der Adresse des Absenders und einer kurzen Beschreibung des Fehlers versehen sein.
- Eine Reparatur bzw. ein Ersatz gemäß dieser Garantie ist kostenlos. Hieraus ergibt sich weder eine Garantieverlängerung noch der Beginn eines neuen Garantiezeitraums. Die ausgetauschten Ersatzteile oder Werkzeuge gehen in unser Eigentum über. In einigen Ländern müssen die Zustellgebühren oder die Versandkosten vom Absender gezahlt werden. Ihre gesetzlichen Rechte aus dem Kauf des Geräts bleiben hiervon unberührt.
- Diese Garantie gilt in der Europäischen Union, der Schweiz, Island, Norwegen, Liechtenstein, der Türkei und Russland. Bitte wenden Sie sich außerhalb dieser Gebiete an Ihren autorisierten RYOBI-Händler, um festzustellen, ob eine andere Garantie gilt.

AUTORISIERTER KUNDENDIENST

Besuchen Sie <http://de.ryobitools.eu/header/service-and-support/service-agents>, um einen autorisierten Kundendienst in Ihrer Nähe zu finden.

ES CONDICIONES DE APLICACIÓN DE LA GARANTÍA DE RYOBI®

Además de cualquier derecho legal derivado de la compra, este producto está cubierto por una garantía que se indica a continuación.

- El periodo de garantía es de 24 meses para consumidores y comienza en la fecha en que se compra el producto. Dicha fecha debe documentarse con una factura u otro comprobante de compra. El producto está diseñado y concebido únicamente para el uso privado del consumidor. Por lo tanto, no se ofrece garantía en caso de uso profesional o comercial.
- Existe la posibilidad de ampliar el periodo de garantía respecto a una parte de la gama de herramientas eléctricas (CA/CC) durante el periodo descrito más arriba y mediante el registro en el sitio web www.ryobitools.eu. La elegibilidad de las herramientas para que se amplíe el periodo de garantía se muestra claramente en las tiendas o en el embalaje y está incluida en la documentación del producto. El usuario final tiene que registrar en línea sus herramientas recientemente adquiridas en un plazo de 30 días a partir de la fecha de compra. El usuario final podrá registrarse para obtener la garantía ampliada en su país de residencia si este aparece en la lista del formulario de registro en línea cuando esta opción sea válida. Además, los usuarios finales deberán dar su consentimiento al almacenamiento de los datos necesarios para el acceso en línea y tienen que aceptar los términos y condiciones. El recibo de confirmación de registro, que se envía por correo electrónico, y la factura original que muestra la fecha de compra servirán como comprobante para la garantía ampliada.
- La garantía cubre todos los defectos del producto durante el periodo de garantía debido a fallos de mano de obra o material en la fecha de compra. La garantía se limita a la reparación o sustitución y no incluye ninguna otra obligación como, por ejemplo, daños accidentales o consecuentes. La garantía no es válida si se ha usado mal el producto, se ha usado contraviniendo el manual de instrucciones o se ha conectado de forma incorrecta. Esta garantía no es aplicable a:
 - ningún daño en el producto que sea consecuencia de un mantenimiento inadecuado
 - ningún producto que haya sido alterado o modificado
 - ningún producto en el que los marcados de identificación originales (marca comercial, número de serie) se hayan borrado, modificado o eliminado
 - ningún daño provocado por no seguir el manual de instrucciones
 - ningún producto que no sea CE
 - ningún producto que haya sufrido un intento de reparación por parte de un profesional no cualificado o sin la autorización previa de Techtronic Industries.
 - ningún producto conectado a un suministro eléctrico inadecuado (amperios, voltaje, frecuencia)
 - ningún daño causado por influencias externas (químicas, físicas, impactos) o sustancias extrañas
 - desgaste normal de piezas de repuesto
 - uso inadecuado, sobrecarga de la herramienta
 - uso de accesorios o piezas no aprobados
 - Accesorios de herramientas eléctricas proporcionados con la herramienta o comprados por separado. Tales exclusiones incluyen, entre otros, brocas de destornilladores, brocas de taladro, discos abrasivos, papel de lija y cuchillas, y guías laterales
 - Componentes (piezas y accesorios) sujetos a un desgaste natural, que incluyen, entre otros, equipos de servicio y mantenimiento, escobillas de carbono, cojinetes, pinzas, accesorio o recepción de broca de taladro SDS, cable eléctrico, manillar auxiliar, bolsa de transporte, hoja lijadora, bolsa de polvo, tubo de escape de polvo, disco de fieltro, pasadores y resortes de llave de impacto, etc.
- Para su mantenimiento, el producto debe enviarse o presentarse a una estación de servicio de RYOBI autorizada que figure en la siguiente lista de direcciones de estaciones de servicio por países. En algunos países, su distribuidor RYOBI local se responsabiliza de enviar el producto a la compañía de servicio de RYOBI. Cuando se envíe un producto a una estación de servicio de RYOBI, este debe estar empaquetado de forma segura sin contenidos peligrosos como gasolina, marcado con la dirección del remitente y acompañado de una breve descripción del fallo.
- Una reparación / sustitución con esta garantía es gratuita. No constituye una ampliación ni un nuevo comienzo del periodo de garantía. Las piezas o herramientas intercambiadas pasan a ser de nuestra propiedad. En algunos países, los gastos de envío o correo tendrá que pagarlos el remitente. Sus derechos legales derivados de esta compra de la herramienta no se verán afectados.
- Esta garantía es válida en la Unión Europea, Suiza, Islandia, Noruega, Liechtenstein, Turquía y Rusia. Fuera de estas zonas, póngase en contacto con su distribuidor de RYOBI autorizado para determinar si es aplicable otra garantía.

SERVICIO TÉCNICO AUTORIZADO

Para encontrar el servicio técnico autorizado más cercano, visite <http://es.ryobitools.eu/header/service-and-support/service-agents>



IT CONDIZIONI DI VALIDITÀ DELLA GARANZIA RYOBI®

In aggiunta ai diritti di legge risultanti dall'acquisto, il prodotto è coperto dalla garanzia sotto descritta.

- Il periodo di garanzia è di 24 mesi per i consumatori, a decorrere dalla data di acquisto del prodotto. La data deve essere documentata da una fattura o altra prova d'acquisto. Il prodotto è progettato e destinato solo all'utilizzo privato dei consumatori. Pertanto non viene fornita alcuna garanzia in caso di uso professionale o commerciale.
- Per una serie di utensili elettrici (CA/CC) è possibile prolungare il periodo di garanzia oltre quello descritto, registrandosi sul sito web www.ryobitools.eu. Gli utensili per i quali è possibile prolungare il periodo di garanzia sono chiaramente indicati nei negozi e/o sulle confezioni e nella documentazione dei prodotti. L'utente deve registrare online l'utensile acquistato entro 30 giorni dalla data di acquisto. L'utente può registrarsi per la garanzia prolungata nel proprio paese di residenza, se questo è elencato nel modulo di registrazione online dove questa opzione sia valida. Inoltre gli utenti devono fornire il proprio consenso alla conservazione dei dati da immettere online e devono accettare le condizioni generali. La conferma di registrazione, inviata tramite e-mail, e la fattura originale indicante la data di acquisto, costituiscono la prova della garanzia prolungata.
- La garanzia copre tutti i difetti del prodotto durante il periodo di garanzia, risultati da manodopera o materiali alla data di acquisto. La garanzia è limitata alla riparazione e/o sostituzione e non include alcun altro obbligo quali, a mero titolo esemplificativo, i danni incidentali o consequenziali. La garanzia non è valida se il prodotto è stato usato scorrettamente, in modo contrario al manuale di istruzioni o se è stato collegato in modo errato. La garanzia non è valida per:
 - qualsiasi danno al prodotto dovuto a manutenzione errata;
 - qualsiasi prodotto che sia stato alterato o modificato;
 - qualsiasi prodotto le cui marcate di identificazione originali (marchi di fabbrica, numero di serie) siano state cancellate, alterate o rimosse;
 - qualsiasi danno causato dalla non osservanza delle istruzioni del manuale;
 - qualsiasi prodotto privo di omologazione CE;
 - qualsiasi prodotto che sia stato sottoposto a un tentativo di riparazione da parte di un professionista non qualificato oppure senza la previa autorizzazione di Techtronic Industries;
 - qualsiasi prodotto collegato a un'alimentazione errata (per ampere, tensione, frequenza);
 - qualsiasi danno causato da influenze esterne (chimiche, fisiche, urti) o sostanze estranee;
 - la normale usura delle parti di ricambio;
 - uso inappropriato, sovraccarico dell'utensile;
 - uso di accessori o parti non omologate;
 - accessori per utensili elettrici forniti con l'utensile o acquistati separatamente. Questa esclusione comprende, a mero titolo esemplificativo, punte per cacciaviti, punte per trapani, dischi abrasivi, carta vetrata, lame e guide laterali;
 - componenti (parti e accessori) soggetti alla normale usura compresi, a mero titolo esemplificativo, kit di servizio e manutenzione, spazzole al carbonio, cuscinetti, mandrini, attacchi per punte a vite auto perforante, cavi di alimentazione, maniglie ausiliarie, custodie di trasporto, piastre di levigatura, sacchetti per la polvere, tubi di scarico della polvere, rondelle di feltro, perni e molle per avvitatori ecc.
- Per la manutenzione il prodotto dev'essere spedito o portato presso uno dei centri assistenza autorizzati RYOBI elencati per ogni paese nel seguente elenco di indirizzi dei centri. In alcuni paesi il rivenditore locale RYOBI si incarica di inviare il prodotto all'organizzazione di assistenza RYOBI. Quando si invia un prodotto a un centro assistenza RYOBI, imballarlo in modo sicuro senza contenuti pericolosi come la benzina, apporre l'indirizzo del mittente e accompagnarlo da una breve descrizione del guasto.
- La riparazione/sostituzione ai sensi della presente garanzia è gratuita. Non costituisce un prolungamento o un nuovo inizio del periodo di garanzia. Le parti o gli utensili scambiati diventano di nostra proprietà. In alcuni paesi i costi di consegna o di spedizione postale devono essere pagati dal mittente. I diritti di legge derivanti dall'acquisto dell'utensile rimangono inalterati.
- La presente garanzia è valida in Unione Europea, Svizzera, Islanda, Norvegia, Liechtenstein, Turchia e Russia. Al di fuori di tali aree contattare il rivenditore autorizzato RYOBI per sapere se è valida un'altra garanzia.

CENTRO SERVIZI AUTORIZZATO

Per individuare il più vicino centro servizi autorizzato, visitare il sito <http://it.ryobitools.eu/header/service-and-support/service-agents>.

NL RYOBI® GARANTIEVOORWAARDEN

Naast de wettelijke rechten die voortvloeien uit de aankoop, wordt dit product gedekt door een garantie, zoals hieronder staat vermeld.

- De garantietermijn voor consumenten bedraagt 24 maanden en gaat in op de datum waarop het product is gekocht. Deze datum moet worden gedocumenteerd met een factuur of een ander aankoopbewijs. Het product is uitsluitend ontworpen en bedoeld voor persoonlijk gebruik door consumenten. Er wordt dus geen garantie gegeven voor professioneel of commercieel gebruik.
- Voor een deel van ons aanbod van elektrische gereedschappen (AC/DC) is het mogelijk om de garantietermijn te verlengen over de boven beschreven termijn, met behulp van de website www.ryobitools.eu. De gereedschappen die in aanmerking komen voor de verlenging van de garantietermijn wordt duidelijk weergegeven in winkels en/of verpakkingen en staat beschreven in de productdocumentatie. De eindgebruiker moet zijn/haar nieuw gekochte gereedschappen binnen 30 dagen na aankoop online registreren. De eindgebruiker kan zich registreren voor de verlengde garantietermijn als zijn woonland staat vermeld op het online registratieformulier waar deze optie geldt is. Bovendien moeten eindgebruikers toestemming geven voor de opslag van de gegevens die online ingevuld moeten worden en moeten ze de algemene voorwaarden accepteren. Het ontvangstbewijs van de registratie, dat per e-mail wordt verzonden en de oorspronkelijke factuur met de aankoopdatum vormt het bewijs van de verlengde garantietermijn.
- De garantie dekt tijdens de garantietermijn alle gebreken van het product vanwege defecten in vakmanschap of materiaal op de aankoopdatum. De garantie is beperkt tot reparatie en/of vervanging en bevat geen andere verplichtingen, waaronder maar niet beperkt tot incidentele of gevolgschade. De garantie is niet geldig als het product is misbruikt, in strijd met de gebruiksaanwijzing wordt gebruikt of onjuist is aangesloten. Deze garantie geldt niet voor:
 - alle schade aan het product die het gevolg is van onjuist onderhoud
 - elk product dat is veranderd of aangepast
 - elk product waar de oorspronkelijke identificatie (handelsmerk, serienummer) is beschadigd, gewijzigd of verwijderd
 - alle schade die is veroorzaakt door het niet opvolgen van de gebruiksaanwijzing
 - elk niet-CE-product
 - elk product waar een poging tot reparatie is gedaan door een niet-erkende professional of zonder voorafgaande toestemming door Techtronic Industries.
 - elk product dat is verbonden met een verkeerde voeding (amperage, spanning, frequentie)
 - alle schade die is veroorzaakt door externe invloeden (chemisch, fysisch, schokken) of vreemde stoffen
 - normale slijtage van reserveonderdelen
 - ongepast gebruik, overbelasting van het gereedschap
 - gebruik van niet-goedgekeurde accessoires of onderdelen
 - gereedschapsaccessoires die bij het gereedschap worden geleverd of afzonderlijk zijn aangeschaft. Zulke uitzonderingen bevatten, maar niet beperkt tot schroevendraaierbits, boorbits, slijpschijven, schuurpapier en zagen, laterale geleiding
 - Componenten (onderdelen en accessoires) die onderhevig zijn aan natuurlijke slijtage, waaronder maar niet beperkt tot service-onderhoudsets, koolstofborsten, lagers, boorkoppen, SDS boorbitbevestigingen of ontvangers, stroomsoeren, hulpprepen, transporttassen, schuurplateaus, stofzakken, stofafvoerbuizen, vilttringen, pennen en veren van slagmoersleutels, etc.
- Voor onderhoud moet het product worden verzonden of gebracht naar een erkend servicestation van RYOBI die voor elk land staan vermeld in de volgende lijst met adressen voor servicestations. In sommige landen zal uw lokale RYOBI-dealer het product verzenden naar de RYOBI-serviceorganisatie. Wanneer u het product naar een servicestation van RYOBI verzendt, moet het product veilig worden verpakt zonder enige gevaarlijke inhoud, zoals benzine, met het adres van de afzender en vergezeld van een korte beschrijving van het defect.
- Een reparatie/vervanging die onder deze garantie valt is gratis. Het vormt geen verlenging of een nieuwe start van de garantietermijn. Verwisselde onderdelen of gereedschappen worden ons eigendom. In sommige landen moeten de verzendkosten door de afzender worden betaald. Uw wettelijke rechten die voortvloeien uit de aankoop van het gereedschap blijven onaangetaast.
- Deze garantie is geldig in de Europese Gemeenschap, Zwitserland, Usland, Noorwegen, Liechtenstein, Turkije en Rusland. Buiten deze gebieden moet u contact opnemen met uw erkende RYOBI-dealer om vast te stellen of er een andere garantie van toepassing is.

GEAUTORISEERD ONDERHOUDSCENTRUM

Om een geautoriseerd onderhoudscentrum in uw buurt te vinden, surf u naar <http://nl.ryobitools.eu/header/service-and-support/service-agents>.



PT CONDIÇÕES DE APLICAÇÃO DA GARANTIA RYOBI®

Para além de quaisquer direitos previstos por lei resultantes da compra, este produto está coberto por uma garantia conforme descrição abaixo.

1. O período da garantia é de 24 meses para consumidores particulares e inicia-se na data de compra do produto. Esta data tem de ser documentada por uma factura ou por outra prova de compra. O produto foi concebido para e destina-se apenas a consumidores particulares e uso privado. Assim, não é dada garantia em caso de utilização por profissionais ou uso comercial.
2. Para uma parte da gama de ferramentas eléctricas (AC/DC) existe a possibilidade de prolongamento do período da garantia para além do período descrito acima, mediante registo no Web site www.ryobitools.eu. A elegibilidade das ferramentas para prolongamento do período da garantia é claramente visível nas lojas e/ou nas embalagens e está contida na documentação do produto. O utilizador final tem de fazer o registo online das suas ferramentas recém-adquiridas no prazo de 30 dias após a data de compra. O utilizador final pode fazer o registo para prolongamento da garantia no seu país de residência, desde que esteja listado no formulário de registo online e para os casos em que esta opção seja válida. Para além disso, os utilizadores finais têm de autorizar o armazenamento dos dados cujo preenchimento lhes for solicitado online e têm de aceitar os termos e as condições. O recibo de confirmação do registo é enviado por e-mail e, em conjunto com a factura original ostentando a data de compra, servirá de prova do prolongamento da garantia.
3. A garantia cobre todos os defeitos do produto durante o período da garantia devidos a defeitos de fabrico ou de material à data da compra. A garantia está limitada à reparação e/ou substituição e não inclui quaisquer outras obrigações, incluindo mas não se limitando a, perdas complementares ou indirectas. A garantia não é válida se o produto tiver sido utilizado incorrectamente, utilizado de forma contrária ao Manual de Instruções ou se as respectivas ligações tiverem sido feitas incorrectamente. Esta garantia não se aplica ao seguinte:
 - quaisquer danos ao produto que sejam resultado de manutenção incorrecta
 - qualquer produto que tenha sido alterado ou modificado
 - qualquer produto cujas marcações de identificação de origem (marca comercial, número de série) tiverem sido apagadas, alteradas ou retradas
 - quaisquer danos causados pelo incumprimento do Manual de Instruções
 - qualquer produto que não seja da Comunidade Europeia
 - qualquer produto ao qual tenha sido feita, ou tentada fazer, uma reparação por outra pessoa que não um profissional habilitado ou sem autorização prévia da Techtronic Industries.
 - qualquer produto ligado a uma fonte de alimentação eléctrica incorrecta (Amperes, Voltagem e Frequência)
 - qualquer dano causado por influências externas (químicas, físicas, impactos) ou substâncias estranhas
 - desgaste e degradação normal de sobresselentes
 - utilização incorrecta, sobrecarga da ferramenta
 - utilização de acessórios ou peças não aprovados
 - acessórios para ferramentas eléctricas fornecidos com a ferramenta ou comprados em separado. Estas exclusões incluem mas não se limitam a, pontas de aparafusadora, brocas, discos abrasivos, papel de lixa e lâminas, guia lateral
 - Componentes (peças e acessórios) sujeitos a desgaste e degradação natural, incluindo mas não se limitando a, Kits de Assistência e Manutenção, escovas de carvão, rolamentos, bucha, acessórios ou recepções de brocas SDS, cabos eléctricos, pegas auxiliares, estojos de transporte, placas de lixagem, sacos de poeiras, tubos de saída de poeiras, anilhas de feltro, pinos e molas da aparafusadora de impacto, etc.
4. Para assistência, o produto tem de ser enviado para, ou apresentado em, um posto de assistência autorizado RYOBI, conforme listado para cada país na lista de moradas de postos de assistência seguinte. Nalguns países, o seu concessionário RYOBI local encarrega-se de enviar o produto para a organização de assistência RYOBI. Quando enviar um produto para um posto de assistência RYOBI, o produto deve ser embalado de forma segura, sem conter nenhuns conteúdos perigosos (por exemplo, gasolina), marcado com o endereço do remetente e acompanhado por uma breve descrição da avaria.
5. Uma reparação/substituição ao abrigo desta garantia é gratuita. Não constitui um prolongamento a, nem um novo início de, o período da garantia. As peças ou ferramentas substituídas tornam-se propriedade nossa. Nalguns países, o remetente terá de pagar os custos de entrega ou a remessa postal. Os seus direitos previstos por lei resultantes da compra da ferramenta mantêm-se inalterados
6. Esta garantia é válida na Comunidade Europeia, Suíça, Islândia, Noruega, Liechtenstein, Turquia e Rússia. Fora destas áreas, entre em contacto com o seu concessionário autorizado RYOBI para determinar se existe outra garantia aplicável.

CENTRO DE ASSISTÊNCIA AUTORIZADO

Para encontrar um centro de assistência autorizado próximo de si, visite <http://pt.ryobitools.eu/header/service-and-support/service-agents>.

DA RYOBI® BETINGELSER FOR GARANTI

Udover lovbestemte rettigheder, som resulterer af købet, er dette produkt dækket af en garanti, som anført herunder.

1. Garantiperioden er 24 måneder for forbrugere og begynder på den dato, som produktet blev købt. Denne dato skal dokumenteres af en faktura eller andet bevis for køb. Produktet er udelukkende designet og dedikeret til forbrugere og privat brug. Så der ydes ingen garanti i tilfælde af professionel eller kommerciel brug.
2. Der er en mulighed for at forlænge garantiperioden for en del af udvalget af elværktøj (AC/DC), hen over den ovenfor beskrivne periode vha. registrering på hjemmesiden www.ryobitools.eu. Bortsettelse af værktøjet til forlængelse af garantiperioden er tydeligt vist i butikker og/eller på emballage/og indeholdt i produktokumentationen. Slutbrugeren skal registrere hans/hendes nyligt indkøbte værktøj online indenfor 30 dage efter købsdatoen. Slutbrugeren kan registrere sig for den forlængede garanti i sit land, hvis han/hun er opført på den online registreringsformular, hvor denne mulighed er gyldig. Derudover skal slutbrugere give deres samtykke til at opbevare data, som er påkrævet at indstude online, og de er nødt til at acceptere vilkår og betingelser. Registreringsbekræftelseskvitteringen, som sendes ud på e-mail, og den originale faktura, som viser købsdatoen, vil fungere som bevis for den forlængede garanti.
3. Garantien dækker alle defekter, som et produkt måtte have i løbet af garantiperioden, og som skyldes produktionsfejl eller materialefejl på købsdatoen. Garantien er begrænset til reparation og/eller udskiftning og inkluderer ikke andre forpligtelser, inklusiv men ikke begrænset til tilfældige skader eller følgeskader. Garantien er ugyldig, hvis produktet er blevet misbrugt, brugt uden at overholde vejledningen, eller det er blevet forkert tilsuttet. Denne garanti gælder ikke:
 - Beskadigelse af produktet, som er et resultat af uegnet vedligeholdelse
 - Et produkt der er blevet ændret eller modificeret
 - Et produkt hvor de originale identifikationsmærkninger (varemærke, serienummer) er blevet ødelagt, ændret eller fjernet.
 - Enhver beskadigelse forårsaget af manglende overholdelse af vejledningen
 - Ethvert ikke CE-produkt
 - Ethvert produkt som er blevet forsøgt repareret af en ukvalificeret professionel eller uden tidligere autorisation af Techtronic Industries.
 - Ethvert produkt som er tilsuttet uegnet strømforsyning (ampere, spænding, frekvens)
 - Enhver skade forårsaget af ekstern påvirkning (kemisk, fysisk, chok) eller fremmedelementer
 - Normal slid på reservedele
 - Uegnet brug, overbelastning af værktøjet
 - Brug af ikke-godkendt tilbehør eller dele
 - Elværktøjstilbehør som leveres med værktøjet eller købes separat. Sådanne undtagelser inkluderer men er ikke begrænset til skruetrækkerbits, bor, bits, silbeskiver, sandpapir og klinger, sidestyr
 - Komponenter (dele og tilbehør) som er udsat for naturligt slid og ælde, inklusiv men ikke begrænset til Service- og vedligeholdelsessæt, kulbrøster, lejer, bøsninger, påsætning eller modtagelse af SDS-bor, El ledning, hjælpehåndtag, transporttaske, sandplade, støvpose, støvudstødningslange, filtskiver, nåle og fjedre slagngøle etc.
4. For eftersyn skal produktet sendes til eller præsenteres for en RYOBI-autoriseret service værksted, som er oplyst for hvert land i den følgende liste over service værksted adresser. I nogle lande påtager din lokale RYOBI-forhandler sig ansvaret for at sende produktet til RYOBI-serviceorganisationen. Når et produkt sendes til en RYOBI-service værksted, skal det pakkes sikkert ind uden noget farligt indhold som benzin, mærkes med afsenderens adresse og med en kort beskrivelse af fejlen.
5. En reparation/erstatning under denne garanti er gratis. Den udgør ikke en forlængelse eller en ny start på garantiperioden. Udvekslede dele eller værktøjer bliver vores ejendom. I nogle lande skal leveringsafgifter eller porto betales af afsenderen. Dine lovbestemte rettigheder i forbindelse med købet forbliver uanfægtede
6. Denne garanti gælder i EU, Schweiz, Island, Norge, Liechtenstein, Tyrkiet og Rusland. Udenfor disse områder bedes du kontakte din autoriserede RYOBI-forhandler for at afgøre, om en anden garanti gælder.

AUTORISEREDE SERVICE/VÆRKSTEDER

Find nærmeste autoriserede serviceværksted på <http://dk.ryobitools.eu/header/service-and-support/service-agents>.

SV RYOBI® ANVÄNDNINGSVILLKOR FÖR GARANTI

Förutom eventuella lagstadgade rättigheter som uppstår genom köpet, täcks den här produkten av en garanti som anges nedan.

1. Garantiperioden är 24 månader för konsumenter och börjar gälla från det datum då produkten köptes. Detta datum måste dokumenteras på en faktura eller annat köpbevis. Produkten är utformad och avsedd för konsumenter och privat bruk. Därmed tillhandahålls ingen garanti vid yrkesmässigt eller kommersiellt bruk.
2. Det finns möjlighet att förlänga garantiperioden för en del av utbudet för elverktyg (AC/DC) under den period som anges ovan genom att använda registreringen på webbplatsen www.ryobitools.eu. De verktyg som är berättigade till en förlängning av garantiperioden visas tydligt i butiker och/eller på förpackningen/och anges i produktdokumentationen. Slut användaren behöver registrera hans/hennes nyförvävade verktyg online inom 30 dagar från köpdatumet. Slut användaren kan registrera sig för den förlängda garantin i det land där han/hon bor om landet finns angivet i registreringsformuläret online och där detta alternativ är giltigt. Dessutom måste slut användaren ge sitt medgivande till lagring av data vilket krävs vid registrering online samt acceptera villkoren. Bekräftelsekvittot för registreringen som skickas ut via e-post och originalfakturan som visas köpdatumet kommer att gälla som bevis för den förlängda garantin.
3. Garantin täcker alla produktdefekter under garantiperioden som beror på brister i utförande eller material vid köpdatumet. Garantin är begränsad gällande reparation och/eller utbyte och inkluderar inte några skyldigheter inklusive men inte begränsat till oförutsedda skador eller följskador. Garantin är inte giltig om produkten har missbrukats, använts i strid med bruksanvisningen eller inte anslutits på rätt sätt. Denna garanti täcker inte:
 - eventuella skador på produkten som uppstått till följd av felaktigt underhåll
 - produkter som har ändrats eller modifierats
 - produkter där ursprungliga identifieringsmärkningar (varumärke, serienummer) har målats över, ändrats eller tagits bort
 - eventuella skador som uppstått till följd av att bruksanvisningen inte efterföljts
 - alla icke CE-produkter
 - eventuella produkter som har försökts repareras av en icke-kvalificerad yrkesman eller utan föregående medgivande från Technronic Industries.
 - eventuella produkter som anslutits till felaktig strömförsörjning (ampere, volt, frekvens)
 - eventuella skador som uppstått till följd av yttre påverkan (kemisk, fysisk, stöt) eller främmande ämnen
 - normalt slitage av reservdelar
 - olämplig användning, överbelastning av verktyget
 - användningen av icke-godkända tillbehör eller delar
 - tillbehör till elverktyg som medföljde verktyget eller köpts separat. Sådana undantag inkluderar men är inte begränsat till skruvmejselbits, borrbits, slipskivor, sandpapper, blad och sidoskena
 - Komponenter (delar och tillbehör) är föremål för naturligt slitage, inklusive men inte begränsat till service- och underhållsatsar, kolborstar, kullager, chuck, tillbehör eller tillhörande SDS-borrbitt, strömsladd, hjälphandtag, transportväska, slipplatta, dammpåse, dammutblåsör, filterbrickor, stift och fjädrar till mutterdragare osv.
4. Vid service måste produkten skickas eller uppvisas för en RYOBI- auktoriserad servicestation som står angiven för varje land i följande adresslista över servicestationer. I vissa länder tar din lokala RYOBI- återförsäljare på sig ansvaret att skicka produkten till RYOBI- serviceorganisationen. När en produkt skickas till en RYOBI- servicestation, ska produkten paketeras säkert utan något förligt innehåll såsom bensin, markeras med avsändarens adress samt en kort beskrivning av felet.
5. En reparation/ett utbyte under denna garanti är kostnadsfri. Det utgör inte en förlängning eller förnyelse av garantiperioden. Utbyta delar eller verktyg blir vår egendom. I vissa länder måste leveranskostnader eller porto betalas av avsändaren. Dina lagstadgade rättigheter som härrör från köpet av verktyget förblir opåverkade
6. Denna garanti är giltig i Europeiska gemenskapen: Schweiz, Island, Norge, Liechtenstein, Turkiet och Ryssland. Utanför dessa länder, kontakta din auktoriserade RYOBI-återförsäljare för att avgöra om en annan garanti gäller.

AUKTORISERAT SERVICECENTER

Du hittar närmaste auktoriserade servicecenter genom att gå till <http://se.ryobitools.eu/header/service-and-support/service-agents>.

FI RYOBI®-TAKUUN SOVELTAMISEHDOT

Tällä tuotteella on oston luomien lakisääteisten oikeuksien ohella alla mainitun mukainen takuu.

1. Takuun kesto on kuluttajille 24 kuukautta ja takuuaika alkaa tuotteen ostohetkestä. Tämän päivämäärän tulee lukea laskussa tai muussa ostotositteessa. Tuote on suunniteltu ja tarkoitettu vain kuluttajien ja yksityiseen käyttöön. Takuu ei siis kata ammatti- eikä kaupallista käyttöä.
2. Joidenkin sähkötyökalujen (AC/DC) takuun kesto on mahdollista laajentaa yllä mainittua kestoä pidemmäksi verkko-sivuston www.ryobitools.eu rekisteröinnin kautta. Työkalujen kelppoisuus takuujakson laajennukseen näkyy selkeästi myymälöissä ja/tai pakkauksissa ja/ tai tämä tieto sisältyy tuotedokumentaation. Loppukäyttäjän täytyy rekisteröidä vasta hankitut työkalut internetissä 30 päivän kuluessa ostopäivämäärästä. Loppukäyttäjät voi rekisteröidä laajennettun takuun kotimaassaan, jos se on luetteluna online-rekisteröintilomakkeessa, jossa mainitaan, missä tämä vaihtoehto on voimassa. Loppukäyttäjien täytyy lisäksi hyväksyä tietojen tallennus, jotka heidän täytyy antaa online-tilassa sekä ehdot. Rekisteröinnin vahvistuskuitti, joka lähetetään sähköpostitse, ja alkuperäinen ostopäivämäärän ilmaiseva lasku toimivat laajennettun takuun tositteina.
3. Takuu kattaa kaikki tuotteeseen takuuaikana tulevat viat, joiden aiheuttajina ovat tuotteessa ostopäivänä olleet valmistus- tai materiaali- viat. Takuu on rajoitettu korjaukseen ja/tai vaihtoon eikä se sisällä mitään muuta velvoitetta mukaan lukien satunnais- ja seurannaisvahinkoja, mutta rajoittumatta niihin. Takuu ei päde, jos tuotetta on käylytty väärin, käyttöohjeen vastaisesti tai jos se on liitetty virheellisesti. Tämä takuu ei kata:
 - virheellisestä huollosta johtuvia vaurioita
 - muunnettua tai muutettua tuotetta
 - tuotetta, jonka alkuperäiset tunnistemerkinnät (tavaramerkki, sarjanumero) on turmeltu, muutettu tai poistettu
 - tämän käyttöoppaan laiminlyönnistä johtuvia vaurioita
 - ei-CE-tuotetta
 - tuotetta, jota on yrittänyt korjata epäpätevä ammattilainen tai joka on korjattu ilman Technronic Industriesin ennakkulouppaa.
 - tuotetta, joka on liitetty virheelliseen teholähteeseen (ampeirit, jännite, taajuus)
 - ulkoisten vaikutusten (kemiallinen, fyysinen, iskut) tai vieraiden aineiden aiheuttamaa vauriota
 - normaaleja kuluvia vaurioita
 - virheellistä käyttöä, työkalun ylikuormitusta
 - ei-hyväksytyjen tarvikkeiden tai osien käyttöä
 - sähkötyökalun tarvikkeita, jotka on toimitettu työkalun mukana tai ostettu erikseen. Poissuljettuja osia ovat ruuvausterät, poranterät, hiomalaikat, hiekkapaperi ja terät, sivuohjain, näihin kuitenkaan rajoittumatta
 - Luonnollisesti kuluvia komponentteja (osia tai tarvikkeita), joihin sisältyvät huolto- ja kunnossapitoset, hiiliharjat, laakerit, terästäukat, SDS-porien kiinnittin tai istukka, virtajohto, apukahva, kuljetuskotelo, hiomalaikka, pölypussi, pölynpoistoputki, huopatiivisteet, iskunvääntimen pultit ja jouset yms. näihin kuitenkaan rajoittumatta.
4. Tuote on lähetettävä huollettavaksi valtuutettuun RYOBI-huoltoon tai näytettävä siellä. Niiden osoitteet kussakin maassa löytyvät seuraavasta luettelosta. Joissakin maissa paikallinen RYOBI-jälleenmyyjä huolehtii tuotteen lähetyksestä RYOBI-huolto-organisaatioon. Kun tuote lähetetään RYOBI-huoltoon, se täytyy pakata hyvin ilman vaarallisia aineita, kuten polttoainetta, ja pakkaukseen täytyy merkitä lähettäjän nimi sekä vain lyhyt kuvaus.
5. Takuun kattama korjaus/vaihto on maksuton. Se ei tarkoita takuuaajan laajennusta tai alkamista alusta. Vaihdetut osat tai työkalut siirtyvät valmistajan omistukseen. Joissakin maissa lähettäjän täytyy maksaa lähetyskustannukset tai postikulut. Työkalun oston luomat lakisääteiset oikeudet pysyvät koskemattomina
6. Tämä takuu on voimassa Euroopan yhteisössä, Sveitsissä, Islannissa, Norjassa, Liechtensteinissä, Turkissa ja Venäjällä. Ota näiden alueiden ulkopuolella yhteyttä omaan valtuutettuun RYOBI-jälleenmyyjään ja selvitä, onko jotain muuta takuuta.

VALTUUTETTU HUOLTO

Voit etsiä lähimmän valtuutetun huollon sivulta <http://fi.ryobitools.eu/header/service-and-support/service-agents>.

NO RYOBI® GARANTIBETINGELSER

I tillegg til eventuelle lovbestemte rettigheter som følger av kjøpet, er dette produktet dekket av en garanti som angitt nedenfor.

1. Garantiperioden er 24 måneder for konsumenter og gjelder fra den datoen som produktet ble kjøpt. Denne datoen skal dokumenteres med en faktura eller annet kjøpsbevis. Produktet er designet og beregnet kun til konsument- og privat bruk. Så det gis ingen garanti ved profesjonell eller kommersiell bruk.
2. For en del av utvalget av elektriske verktøy (AC/DC) er det mulighet til å utvide garantiperioden i den perioden som er beskrevet ovenfor ved bruk av registreringen på nettsidene www.ryobitools.eu. Kvalifisering av verktøyene for en utvidelse av garantiperioden er tydelig vist i butikker og/eller på pakningen / og finnes innen produktdokumentasjonen. Sluttbrukeren må registrere sine nylig anskaffede verktøy online innen 30 dager etter kjøpsdato. Sluttbrukeren kan registrere seg for den utvidede garantien i sitt land hvis det er opplistet på online registreringsskjemaet der dette alternativet er gyldig. Videre må sluttbrukere gi sitt samtykke til oppbevaring av dataene som kreves for å gå online, og de må godta vilkår og betingelser. Registreringsbekreftelsen, som sendes ut på e-post, og den originale fakturaen som viser kjøpsdato, vil tjene som bevis for den utvidede garantien.
3. Garantien dekker alle defekter i produktet under garantiperioden på grunn av defekter i utførelse eller materiale på kjøpsdato. Garantien er begrenset til å reparere og/eller erstatte og inkluderer ikke noen andre forpliktelser, inkludert, men ikke begrenset til, tilfældige eller følgesmessige skader. Garantien er ikke gyldig hvis produktet har blitt misbrukt, brukt på annen måte enn det som beskrives i bruksanvisningen eller er koblet til på feil måte. Denne garantien gjelder ikke for:
 - enhver skade på produktet som er resultat av utlirekkelig vedlikehold
 - ethvert produkt som har blitt endret eller modifisert
 - ethvert produkt der de originale identifiseringsmerkene (varemerke, serienummer) har blitt uleselig, er endret eller fjernet
 - enhver skade som forårsakes av ikke-overholdelse av instruksjonshåndboken
 - ethvert ikke-CE-produkt
 - ethvert produkt som har blitt forsøkt reparert eller av en ikke-kvalifisert fagperson eller uten tidligere autorisasjon fra Techtronic Industries.
 - ethvert produkt tilkoblet feil strømforsyning (ampere, spenning, frekvens)
 - enhver skade som er forårsaket av eksterne påvirkninger (kjemiske, fysiske, støt) og fremmede stoffer
 - normal slitasje og slireservvedeler
 - feil bruk, overbelastning av verktøyet
 - bruk av ikke-godkjent tilbehør eller deler
 - Elektrisk verktøytilbehør levert med verktøyet eller kjøpt separat. Slike ekskluderinger, inkludert, men ikke begrenset til skrutrekkerbits, drillbits, slipedisker, sandpapir og blader, lateral føring
 - Komponenter (deler og tilbehør) som er utsatt for naturlig slitasje, inkludert, men ikke begrenset til service- og vedlikeholdssett, karbonborster, lagre, chuck, SDS-borrlifeste eller -mottak, strømledning, hjelpéhåndtak, transportbæreskive, sandingsplate, støvpose, støvutslippsrør, filtpakninger, støtnøkkelpinner og fjær, osv.
4. For service må produktet sendes eller fremlegges for en RYOBI-autorisert servicestasjon opplistet for hvert land i den følgende listen over servicestasjonsadresser. I noen land sender den lokale RYOBI-forhandleren produktet til RYOBI serviceorganisasjonen. Ved å sende et produkt til en RYOBI servicestasjon skal produktet være sikkert pakket uten noe farlig innhold, slik som bensin, merket med senderens adresse og fulgt av en kort beskrivelse av feilen.
5. En reparasjon/erstatning under denne garantien er gratis. Den utgjør ingen forlengelse eller en ny start av garantiperioden. Utvekslede deler eller verktøy blir vår eiendom. I noen land vil leveringskostnader eller frankering måtte betales av senderen. Dine lovbestemte rettigheter som oppstår fra kjøp av verktøyet forblir uberørt.
6. Denne garantien er gyldig i EU, Sveits, Island, Norge, Liechtenstein, Tyrkia og Russland. Utenfor disse områdene ta kontakt med din autoriserte RYOBI-forhandler om en annen garanti gjelder.

AUTORISERT SERVICESENTER

For å finne et autorisert servicecenter i nærheten, gå til <http://no.ryobitools.eu/header/service-and-support/service-agents>.

RU УСЛОВИЯ ПРИМЕНЕНИЯ ГАРАНТИИ НА ПРОДУКЦИЮ RYOBI®

Помимо законных прав, возникающих при покупке, данное изделие покрывается гарантией в соответствии с приведенными ниже пунктами.

1. Гарантийный период для покупателя составляет 24 месяца с даты покупки изделия. Дата покупки должна быть подтверждена полностью заполненным гарантийным талоном и чеком о покупке. Данное изделие предназначено только для частного использования покупателем. Поэтому гарантия не распространяется на использование в профессиональных или коммерческих целях.
2. Предусмотрена возможность продления для части изделий линейки электроинструментов (AC/DC) гарантийного периода с помощью регистрации на сайте www.ryobitools.eu. Право инструмента на продление гарантийного периода четко указано в магазинах и / или на упаковке / и содержится в сопутствующей инструменту документации. Конечный пользователь должен зарегистрировать свой приобретенный инструмент в течение 30 дней с даты покупки. Конечный пользователь может зарегистрировать свой инструмент на продление гарантии в стране своего проживания, если она указана в форме онлайн-регистрации. Кроме того, конечный пользователь должен дать свое согласие на хранение данных, которое необходимо ввести в онлайн-форму и принять правила и условия. Подтверждение регистрации, которое вы получите по электронной почте, заполненный гарантийный талон и оригинальный чек, в котором указана дата покупки, будут служить доказательством продленной гарантии.
3. Гарантия покрывает в течение гарантийного периода все дефекты качества или материала изделия на дату покупки. Гарантия ограничена ремонтом и / или заменой и не включает никакие другие обязательства, включая, но не ограничиваясь случайным или косвенным убыткам. Гарантия становится недействительной, если изделие использовалось не по назначению, вопреки инструкциям, данным в Руководстве пользователя или было неправильно подключено. Настоящая гарантия не распространяется на:
 - любые повреждения изделия в результате неправильного технического обслуживания или недостаточного ухода за инструментом
 - любые изделия, подвергшиеся изменениям и модификации
 - любые изделия, оригинальные идентификационные отметки которого (торговая марка, серийный номер) были повреждены, изменены или удалены
 - любые повреждения, вызванные несоблюдением инструкций Руководства пользователя
 - любые изделия, не сертифицированные маркировкой "CE" для продажи в Европейском союзе
 - любые изделия, подвергшиеся попыткам ремонта неквалифицированным работником или без предварительного утверждения компанией Techtronic Industries.
 - любые изделия, подключенные к неправильному источнику питания (сила тока, напряжение, частота)
 - любые повреждения, вызванные внешними воздействиями (химические, физические, удары) или посторонними веществами
 - естественный износ запасных деталей
 - несоответствующее использование, перегрузка инструмента
 - использование неутвержденных аксессуаров и неофициальных запасных деталей
 - аксессуары электроинструментов, поставляемые с инструментом или приобретаемые отдельно. К этому списку относятся, но не исчерпывают его: сверла шуруповертов, дрелей, абразивные диски, наждачную бумагу, лезвия и боковые направляющие компоненты (детали и аксессуары), подверженные естественному износу и износу, включая, но не ограничиваясь наборы для технического обслуживания, угольные щетки, подшипники, патроны, переходники SDS, кабели питания, дополнительные ручки, футляры для транспортировки, шифовальные подошвы, пылесборники, трубки для отвода пыли, войлочные шайбы, штыри и пружины ударных ключей и др.
4. Для проведения технического обслуживания изделие следует направлять в авторизованные сервисные центры RYOBI, указанные для каждой страны в приведенном ниже списке адресов станций сервисного обслуживания. В некоторых странах местные дилеры RYOBI отправляют изделия в сервисные организации RYOBI. При отправке изделия в сервисный центр RYOBI, изделие должно быть безопасно упаковано и не содержать никаких опасных веществ, таких как бензин, должен быть подписан адрес отправителя и сопровождаться кратким описанием неисправности.
5. Ремонт / замена проводится в рамках настоящей гарантии бесплатно. Он не продлевает гарантию и не начинает новый гарантийный период. Замененные детали и инструменты становятся нашей собственностью. В некоторых странах отправитель должен оплачивать стоимость отправки. Ваши законные права, возникшие при покупке инструмента, остаются неизменными.
6. Данная гарантия действительна в Европейском Сообществе, Швейцарии, Исландии, Норвегии, Лихтенштейне, Турции и России. Вне указанных территорий обращайтесь к своему авторизованному дилеру RYOBI, чтобы узнать, применяются ли условия каких-либо других гарантий.

УПОЛНОМОЧЕННЫЙ СЕРВИСНЫЙ ЦЕНТР

Чтобы найти ближайший уполномоченный сервисный центр, обратитесь к веб-сайту <http://ru.ryobitools.eu/header/service-and-support/service-agents>.

PL WARUNKI GWARANCJI RYOBI®

Oprócz praw ustawowych wynikających z zakupu produkt jest objęty gwarancją, której warunki podano poniżej.

1. Okres gwarancyjny wynosi 24 miesiące dla konsumentów i rozpoczyna się w dniu zakupu produktu. Datę zakupu należy udokumentować fakturą lub innym dowodem zakupu. Produkt został zaprojektowany i jest przeznaczony do użytku konsumenckiego i prywatnego. W związku z tym gwarancja nie obejmuje zastosowań profesjonalnych i komercyjnych.
2. Istnieje możliwość wydłużenia okresu gwarancyjnego dla części asortymentu narzędzi ręcznych z napędem mechanicznym (AC/DC) poprzez zarejestrowanie produktu na stronie internetowej www.ryobitools.eu. Kwalifikowalność narzędzi do wydłużenia okresu gwarancyjnego jest wyraźnie określona w sklepach i/lub na opakowaniu oraz w dokumentacji produktu. Użytkownik końcowy musi zarejestrować nowo kupione narzędzia online w ciągu 30 dni od daty zakupu. Użytkownik końcowy może zarejestrować się w celu przedłużenia gwarancji w swoim kraju zamieszkania, jeżeli jest on wymieniony w formularzu rejestracji online, gdzie opcja ta obowiązuje. Ponadto użytkownicy końcowi muszą wyrazić zgodę na przechowywanie danych, wprowadzanych na stronie internetowej i zaakceptować regulamin. Dowodem wydłużenia gwarancji jest wysłane pocztą elektroniczną potwierdzenie rejestracji i oryginał faktury potwierdzającej datę zakupu.
3. Gwarancja obejmuje wszystkie wady produktu ujawnione w okresie gwarancyjnym wynikające usterek wykonania lub materiału obecnego w dniu zakupu. Gwarancja jest ograniczona do naprawy i/lub wymiany i nie obejmuje żadnych innych zobowiązań, w tym między innymi odpowiedzialności za szkody przypadkowe lub wtórne. Gwarancja nie obowiązuje, jeżeli produkt był nieprawidłowo używany, używany niezgodnie z instrukcją lub nie był prawidłowo podłączony. Gwarancja nie obejmuje:
 - uszkodzenia produktu wynikającego z nieprawidłowej konserwacji,
 - produktu, który został zmieniony lub zmodyfikowany,
 - produktu, którego oryginalne oznaczenie (znak towarowy, numer seryjny) zostało zniszczone, zmienione lub usunięte,
 - jakiegokolwiek uszkodzeń wynikających z nieprzestrzegania instrukcji,
 - jakiegokolwiek produktu bez certyfikatu CE,
 - jakiegokolwiek produktu, który próbowano naprawić z pomocą niewykwalifikowanej osoby lub bez uzyskania wcześniejszej zgody firmy Techtronic Industries.
 - jakiegokolwiek produktu podłączonego nie prawidłowego źródła zasilania (nieprawidłowe napięcie prądu, napięcie, częstotliwość),
 - jakiegokolwiek uszkodzeń spowodowanych wpływem czynników zewnętrznych (chemicznych, fizycznych, drgań) lub substancji obcych,
 - normalnego zużycia części zamiennych,
 - nieprawidłowego użycia, przeciążenia narzędzia,
 - stosowania niezatwierdzonych akcesoriów lub części,
 - akcesoriów narzędzi ręcznych z napędem mechanicznym dostarczonych z narzędziem lub kupionych oddzielnie. Takie wykluczenia obejmują, między innymi, wymienne ostrza wkrętaka, wiertła, tarcze cierne, papier ścierny i ostrza, prowadnicę boczną.
 - elementów (części i akcesoriów) podlegających naturalnemu zużyciu obejmujących, między innymi, zestawy do konserwacji i serwisu, szczotki węglowe, łożyska, uchwyty, przystawkę wiertła SDS, gniazdo, przewód zasilania, uchwyty pomocnicze, skrzynię transportową, płytę szlifierską, worek pyłowy, rurę odprowadzania pyłu, podkładki filcowe, korki i sprężyny klucza udarowego itp.
4. W celu serwisowania produkt należy wysłać lub okazać w autoryzowanym punkcie serwisowym RYOBI znajdującym się na przedstawionym poniżej wykazie punktów serwisowych w poszczególnych krajach. W niektórych krajach lokalny dystrybutor produktów RYOBI podejmuje się wysyłki produktu do centrum serwisowego RYOBI. W przypadku wysyłki do punktu serwisowego RYOBI produkt — pozbawiony jakiegokolwiek niebezpiecznych substancji, na przykład benzyny — należy bezpiecznie zapakować i dołączyć adres nadawcy oraz krótki opis usterek.
5. Naprawa/wymiana w ramach niniejszej gwarancji jest bezpłatna. Nie stanowi jednak o przedłużeniu lub rozpoczęciu od nowa biegu okresu gwarancyjnego. Wymienione części lub narzędzia stają się naszą własnością. W przypadku niektórych krajów nadawca będzie musiał uregulować koszty dostawy lub opłaty pocztowe. Prawa ustawowe wynikające z zakupu narzędzia pozostają niezmienione.
6. Niniejsza gwarancja obowiązuje w Unii Europejskiej, Szwajcarii, Islandii, Norwegii, Liechtensteinie, Turcji i Rosji. Poza tymi obszarami należy skontaktować się z autoryzowanym dostawcą produktów RYOBI i ustalić, czy obowiązuje inna gwarancja.

AUTORYZOWANY PUNKT SERWISOWY

Najbliższy autoryzowany punkt serwisowy można wyszukać w witrynie internetowej <http://pl.ryobitools.eu/header/service-and-support/service-agents>.

CS ZÁRUČNÍ PODMÍNKY RYOBI®

Kromě zákonných práv vyplývajících z koupě výrobku se na tento výrobek vztahuje také níže uvedená záruka.

1. Záruční doba pro spotřebitele je 24 měsíců a začíná datem nákupu výrobku. Datum musí být zaznamenáno na fakturě nebo jiném dokladu o koupi. Tento výrobek je navržen a určen pouze pro soukromé účely spotřebitelů. Záruka se tedy nevztahuje na profesionální nebo komerční využití výrobku.
2. U některých elektrických nástrojů (AC/DC) je možné záruční dobu prodloužit. K tomu je nutná registrace na stránkách www.ryobitools.eu. Možnost prodloužení záruční doby výrobků je jasně uvedena v prodejních, popř. na obalech nebo v dokumentech o výrobku. Koncový uživatel musí svůj nový nástroj zaregistrovat online do 30 dnů od data nákupu. Koncový uživatel se může k prodloužení záruční doby zaregistrovat v zemi trvalého pobytu, pokud je tato uvedena na internetovém registračním formuláři u výrobku, kde je tato možnost dostupná. Koncoví uživatelé musí dále souhlasit s uložením osobních údajů, která musí zadat na internetu, a přijmout obchodní podmínky. E-mail s původní registrací a původní faktura s datem koupě poslouží jako důkaz o prodloužení záruce.
3. Záruka se vztahuje na veškeré vady na výrobku v rámci záruční doby způsobené výrobními vadami nebo vadami materiálu v době koupě. Záruka je omezena na opravu, popřípadě výměnu a nezahrnuje žádné další povinnosti, včetně mimo jiné vedlejších či následných odškodnění. Záruka neplatí při použití výrobku k nevhodným účelům, v rozporu s uživatelskou příručkou nebo při nesprávném zapojení. Záruka se nevztahuje na:
 - veškeré škody na výrobku způsobené nesprávnou údržbou
 - veškeré produkty, které byly pozměněny nebo upraveny
 - veškeré produkty, kde byly původní identifikační prvky (obchodní značka, sériové číslo) poničeny, pozměněny nebo odstraněny
 - veškeré škody způsobené nedodržením pokynů uživatelské příručky
 - veškeré produkty bez CE certifikace
 - veškeré produkty, kde byly opravy provedeny nekvalifikovanými odborníky nebo opravy bez předchozího svolení společnosti Techtronic Industries.
 - veškeré produkty zapojené do nesprávného elektrického zdroje (proud, napětí, frekvence)
 - veškeré škody způsobené externími vlivy (chemickými, fyzickými, nárazy) nebo cizími látkami
 - běžné opotřebování dílů
 - nevhodné použití, přetěžování nástroje
 - použití neschválených příslušenství nebo dílů
 - příslušenství k elektrickému nástroji poskytnuté s nástrojem nebo zakoupené samostatně. Tyto výjimky se vztahují mimo jiné na šroubovací bity, vrtáky, brusné disky, brusný papír a čepele, postranní vodič lišty
 - komponenty (díly a příslušenství) podléhající přirozenému opotřebování, včetně mimo jiné veškerých sad, karbonových kartáčů, ložisek, sklíčidla, SDS nástavce na vrtací bity, napájecího kabelu, pomocné rukojeti, přepravního pouzdra, brusné desky, prachového vaku, výfukové prachové trubice, plstěných podložek, západek a pružin rážového utahávkového trudu.
4. K provedení servisu musí být výrobek zaslán nebo předán do autorizovaného servisního centra společnosti RYOBI, jejichž adresy jsou uvedeny podle zemi v seznamu servisních center. V některých zemích z vás výrobek pošle servisní organizaci RYOBI sám prodejce výrobků této značky. Při zasílání výrobku do servisního centra RYOBI je potřeba výrobek bezpečně zabalit bez nebezpečného obsahu jako benzín, opatřit adresou odesílatele a přiložit krátký popis závady.
5. Oprava, popř. výměna v rámci této záruky je zdarma. Neznamená to prodloužení nebo začátek nové záruční lhůty. Vyměněné díly nebo nástroje přejdou do našeho vlastnictví. V některých zemích platí poštovné odesílatele. Vaše zákonná práva vyplývající z koupě tohoto nástroje zůstávají nedotčena.
6. Tato záruka platí v Evropském Společenství, Švýcarsku, Norsku, Lichtenštejnsku, Turecku, Rusku a na Islandu. Mimo tuto území kontaktujte autorizovaného prodejce značky RYOBI, který zjistí, zda se na výrobek vztahuje jiná záruka.

POVĚŘENÉ SERVISNÍ STŘEDISKO

Pro nalezení nejbližšího pověřeného servisního střediska navštivte <http://cz.ryobitools.eu/header/service-and-support/service-agents>.

HU A RYOBI® GARANCIA ALKALMAZÁSÁNAK FELTÉTELEI

A vásárlásból adódó törvényben rögzített jogok mellett a termékre az alábbi garancia vonatkozik.

1. A fogyasztói garancia tartama 24 hónap, mely a termék vásárlásának napjával kezdődik. Ezt a dátumot számlával vagy a vásárlást igazoló egyéb dokumentummal kell bizonyítani. A termék rendeltetése csak fogyasztói és magáncéli használat. Ezért professzionális vagy kereskedelmi használat esetén a garancia nem érvényes.
2. A szerszámgépek (egyenáramú/váltóáramú) egy részénél a garancia időtartama a www.ryobitools.eu weblapon regisztrálva meghosszabbítható. Az áruházakban, a csomagolásban, illetve a termék dokumentációjában egyértelműen jelezzük, hogy az adott termék garanciája meghosszabbítható-e. A végfelhasználónak a vásárlás dátumától számított 30 napon belül regisztrálnia kell az újonnan vásárolt szerszámot. A végfelhasználó akkor regisztrálhatja a kiterjesztett garanciára, ha az ország, ahol lakik, fel van sorolva az online regisztrációs űrlapon azon országok között, ahol választható ez az opció. Ezenkívül a végfelhasználónak bele kell egyeznie az online regisztrálás során szükséges adatok tárolásába, és el kell fogadnia a felhasználási feltételeket. A kiterjesztett garanciát a regisztráció beérkezésétől e-mailben küldött visszaigazolás és a vásárlás dátumát tartalmazó eredeti számla igazolja.
3. A garancia a termék vásárlásakor fennálló, a gyártás során keletkezett hibákra és anyaghibákra érvényes a garanciális időtartamon belül. A garancia csak a javításra/cserére korlátozódik, és nem terjed ki semmilyen egyéb kötelezettségre, nem kizárólagosan ideértve a véletlen vagy szándékos rongálást. A garancia nem érvényes, ha a terméket nem megfelelően, a használati utasításban foglaltakkal ellentétben, illetve nem megfelelően csatlakoztatva használták. A garancia nem vonatkozik:
 - a terméket a nem megfelelő karbantartás következtében ért károsodásra
 - megváltoztatott vagy átalakított termékre
 - olyan termékre, melyen az eredeti azonosítókat (védjegy, sorozatszám) megrongálták, megváltoztatták vagy eltávolították
 - a használati utasítás be nem tartásából eredő kárra
 - CE jelöléssel nem rendelkező termékekre
 - olyan termékre, melyet nem képzett, illetve a Techtronic Industries által nem fejlesztett szerelvény javított
 - nem megfelelő (áramerősségű, feszültségű, frekvenciájú) áramforrásra csatlakoztatott termékre
 - külső (vegyi, fizikai, ütés) hatásokból vagy idegen anyagokból eredő károkkra
 - a cserélhető alkatrészek természetes kopására és elhasználódására
 - a szerszám helytelen használatára, túlterhelésére
 - nem jóváhagyott tartozékok és alkatrészek használatára
 - A szerszámmal adott vagy külön megvásárolt tartozékokra. Ilyenek például (de nem kizárólag) a csavarhűzőfejek, fűrészláncok, csiszolókorongok, csiszolópapír, kések, oldalirányú terelők.
 - A természetes kopásnak, elhasználódásnak kitett alkatrészek és kiegészítők, például (de nem kizárólag) szerviz- és karbantartókészletek, szénkéfék, csapagyak, tokmány, SDS fűrészlánc csatlakozója, tápkábel, segédfogantyú, szállítók, csiszolólap, porzsák, porelvezető cső, filcaltátek, ütműves csavarbehajtó gép csapszege és rugója stb.
4. A terméket javításra el kell vinni egy meghatalmazott RYOBI szervizbe; ezeket az egyes országokhoz a következők listában találja. Egyes országokban a helyi RYOBI kereskedő vállalja a termék elszállítását a RYOBI szervizbe. A terméket veszélyes tartalom, például benzín nélkül csomagolja, a feladó címét feltüntetve, a hiba rövid leírásával együtt küldje el a RYOBI szervizbe.
5. A jelen garancia hatálya alatt végzett javítás, illetve csere ingyenes. Nem jelenti a garanciális időtartam újraindulását. A kicserélt alkatrészek és szerszámok a mi tulajdonunkba kerülnek. Egyes országokban a szállítás vagy postázás költségét a feladó viseli. A vevőnek a szerszám megvásárlásából adódó törvényes jogai nem változnak.
6. Jelen garancia az Európai Közösségben, Svájcban, Izlandon, Norvégiában, Liechtensteinben, Törökországban és Oroszországban érvényes. E területeken kívül kérdezze meg a RYOBI forgalmazót, hogy milyen garancia van érvényben.

HIVATALOS SZERVIZKÖZPONT

A legközelebbi hivatalos szervizközpont megtalálásához látogasson el a <http://hu.ryobitools.eu/header/service-and-support/service-agents>.

RO CONDIȚII DE APLICARE A GARANȚIEI PENTRU PRODUSELE RYOBI®

În plus față de condițiile statutare rezultate din achiziționarea acestui produs, acesta este acoperit de garanția stipulată mai jos.

1. Perioada de garanție este de 24 de luni pentru consumatori și începe de la data achiziționării produsului. Data de începere a garanției trebuie demonstrată cu o factură sau altă dovadă a cumpărării produsului. Produsul este destinat și conceput doar pentru utilizare în scopuri personale. Din acest motiv, nu se oferă garanție pentru utilizarea sa în scop profesional sau comercial.
2. Există posibilitatea de a extinde a perioadei de garanție pentru gama de unelte electrice (de CA/CC) peste perioada stipulată mai sus prin înscrierea produsului pe [website-ul www.ryobitools.eu](http://www.ryobitools.eu). Eligibilitatea pentru perioada de extindere a garanției este afișată în mod clar în magazinele de vânzare și/sau pe ambalaj sau este inclusă în documentația livrată împreună cu produsul. Utilizatorul final este obligat să-și înregistreze produsul online în termen de maxim 30 de zile de la data achiziției acestuia. Utilizatorul final poate înregistra produsul pentru garanția extinsă oferită în țara sa de rezidență dacă aceasta este listată în formularul de înregistrare online și dacă această opțiune este validă. În plus, utilizatorul final trebuie să-și dea acordul pentru stocarea datelor personale solicitate la înregistrarea online și trebuie să accepte termenii și condițiile. Mesajul de confirmare a înregistrării, trimis prin e-mail și factura originală cu data achiziției vor dovedi perioada de garanție extinsă.
3. Garanția acoperă toate defecțiunile produsului survenite în perioada de garanție datorate defectelor de execuție sau materialelor folosite, începând cu data achiziției acestuia. Garanția este limitată la reparare și/sau înlocuire și nu include alte obligații, inclusiv, dar fără a se limita la daune accidentale sau rezultate pe cale de consecință. Garanția își pierde valabilitatea dacă produsul este utilizat necorespunzător, utilizat neconform cu instrucțiunile de utilizare din manualul cu instrucțiuni sau conectat incorect. Garanția nu se aplică în cazul:
 - oricărei defecțiuni survenite în urma întreținerii necorespunzătoare a produsului
 - oricărui produs alterat sau modificat
 - oricărui produs la care inscripțiile cu datele de identificare (marca comercială, numărul de serie) au fost șterse, modificate sau îndepărtate
 - oricărei defecțiuni datorate neconformării cu instrucțiunile din manualul de utilizare
 - oricărui produs necertificat CE
 - oricărui produs asupra căruia au fost efectuate tentative de reparare de către personal necertificat sau fără autorizație prealabilă din partea Techtronic Industries.
 - oricărui produs conectat la o sursă de alimentare necorespunzătoare (curent, tensiune, frecvență)
 - oricărui defecțiuni datorate unor influențe externe (chimice, fizice, socuri) sau substanțe străine
 - uzurii și fisurării normale a pieselor de rezervă
 - utilizării neadecvate, suprasolicitării uneltei
 - utilizării de piese și accesorii neaprobate
 - accesorilor pentru unelți furnizate odată cu acestea sau achiziționate separat. Acestea excluzi se aplică, dar fără a se limita la următoarele: burghie, biți de șurubelniță, discuri abrazive, hârte abrazive și lame de tăiere, ghidaje laterale
 - Componentele (piese și accesorii) supuse uzurii normale, care includ, fără a se limita la, kituri de întreținere și service, perii de carbon, rulmenți, mandrină, adaptor pentru burghie SDS, cordon de alimentare, manere auxiliare, cutie de transport, placă pentru șlefuit, sac pentru praf, tub pentru evacuarea prafului, discuri de păsă, adaptoare și resorturi pentru cheile de strângere prin vibrație, etc.
4. Pentru efectuarea reparațiilor, produsul trebuie trimis sau adus la un centru de reparații autorizat RYOBI din lista următoare de centre de reparații prezentate pentru fiecare țară. În anumite țări, reprezentantul local RYOBI va trimite produsul spre reparare la sediul central de reparații RYOBI. Atunci când trimiteți produsul spre reparare la un centru de reparații RYOBI, acesta trebuie ambalat în siguranță, fără conținut periculos (cum ar fi benzina), marcat cu adresa expeditorului și însoțit de o scurtă descriere a defecțiunii.
5. Repararea/inlocuirea în perioada de garanție este gratuită. Aceasta nu este însoțită de o prelungire sau o reinițiere a perioadei de garanție. Piesele sau uneltele schimbate devin proprietatea dvs. În anumite țări, taxele de expediție sau poștale vor fi suportate de expeditor. Drepturile dvs. statutare rezultate din achiziția produsului rămân neschimbate
6. Această garanție este valabilă în Comunitatea Europeană, Elveția, Islanda, Norvegia, Liechtenstein, Turcia și Rusia. În afara acestor zone, vă rugăm să contactați reprezentantul dvs. local RYOBI pentru a determina dacă se aplică alt tip de garanție.

CENTRU DE SERVICE AUTORIZAT

Pentru a găsi un centru de service autorizat lângă dvs., vizitați <http://uk.ryobitools.eu/header/service-and-support/service-agents>.

LV RYOBI® GARANTIJAS PIEMĒROŠANAS NOSACĪJUMI

Papildus jebkādam likumiskajām tiesībām, kuras rodas, veicot pirkumu, izstrādājums tiek nodrošināts ar tālāk tekstā noteikto garantiju.

1. Garantijas periods patērētājiem ir 24 mēneši, tā atskaitē tiek sākta no datuma, kurā veikta izstrādājuma iegāde. Šim datumam jābūt dokumentētam rēķinā vai citā pirkumu apliecināšā dokumentā. Izstrādājums ir radīts un paredzēts tikai patērētāja privātai lietošanai. Saistībā ar iepriekšminēto, garantija netiek nodrošināta profesionālas vai komerciālas lietošanas gadījumā.
2. Pastāv iespēja pagarināt daļas no elektroinstrumentu klāsta (Mainstrāvas/akumulatoru) garantiju ilgāk par iepriekš minēto periodu, izmantojot reģistrāciju interneta vietnē www.ryobitools.eu. Instrumenti, kas pakļauti garantijas perioda pagarināšanai, tiek skaidri apzīmēti veikalos un/vai uz iepakojuma un izstrādājumu komplektējošajā dokumentācijā. Gala lietotājam nepieciešams reģistrēt tālruni jauno instrumentu 30 dienu laikā no pirkuma datuma. Gala lietotājs var reģistrēties pagarinātajai garantijai savā mitnē vai, ja tā minēta tiešsaistes reģistrācijas veidlapā, kurā šī iespēja ir aktīva. Bez tam, gala lietotājam ir jāsniedz pierādīšana tiešsaistes ievadīšanai nepieciešamo datu glabāšanai un jāpiekrīt noteikumiem un nosacījumiem. Reģistrācijas apstiprinājums, kas tiek nosūtīts, izmantojot e-pastu, un rēķina oriģināls, kurā norādīts iegādes datums, kalpo kā pagarinātās garantijas apstiprinājums.
3. Garantija attiecas uz visiem izstrādājumu defektiem garantijas periodā, kas saistīti ar ražošanas vai materiālu defektiem no pirkuma datuma. Šī garantija tiek ierobežota ar remontu un/vai nomaiņu un neietver jebkādas citas saistības, tajā skaitā, bet ne tikai, cēloņsakarīgos vai saistītos bojājumus. Garantija nav spēkā, ja izstrādājums ir nepareizi lietots, izmantots pretēji norādēm lietošanas rokasgrāmatā vai bijis nepareizi pieslēgts. Šī garantija netiek attiecināta uz:
 - jebkādiem izstrādājuma bojājumiem, kas radušies nepareizas uzturēšanas rezultātā
 - jebkuru izstrādājumu, kas ticis pārveidots vai mainīts
 - jebkuru izstrādājumu, kura oriģinālais identifikācijas (preču zīme, sērijas numurs) marķējums ir ticis nodzēsts, mainīts vai noņemts
 - jebkādiem bojājumiem, kuri radušies neievērojot norādes lietošanas rokasgrāmatā
 - jebkādam izstrādājumam bez CE sertifikācijas
 - jebkuru izstrādājumam, kura remontu mēģinājis veikt nekvalificēts personāls vai bez Technronic Industries iepriekšējas autorizācijas.
 - jebkuru izstrādājumam, kurš bijis pieslēgts neatbilstošu parametru (strāvas, sprieguma, frekvences) sprieguma avotam
 - jebkuriem bojājumiem, kuri radušies ārējas iedarbības (ķīmiskas, fiziskas, triecieni) vai vielu ietekmē
 - detaļu normāla lietošanas nodiluma rezultātā
 - nepareizas lietošanas vai instrumentu pārslodzes rezultātā
 - neapstiprinātu detaļu vai aprīkojuma lietošanas rezultātā
 - elektroinstrumentu aksesuāriem, kas atrodas instrumenta komplektācijā vai ir iegādāti atsevišķi. Šis izņēmums attiecinās uz, bet neaprobežojoties ar, skrūvgriežu uzgaļiem, urbjiem, abrazīvajiem diskkiem, smilšpapīru un asmeņiem, sānu vadotnēm
 - komponentiem (daļām un aksesuāriem), kas pakļauti normālam nodilumam, ieskaitot, bet neaprobežojoties ar Servisa un apkopju komplekti, oglekļa sukuks, gultņi, patrona, SDS urbju uztvērējiem vai uzlikas, elektrības vads, papildus rukturis, transportēšanas un pārnēsāšanas kaste, stipmašīnas plāksne, putekļu maisis, putekļu izvadīšanas caurule, paplākšņi, triecienatslēgu tapas un atsperes, u.t.t.
4. Servisa nodrošināšanai, izstrādājums ir jānodod pilnvarotā RYOBI servisa centrā, kas norādīts katrā valstij tālāk minētajā servisa centru adresē sarakstā. Dažās valstīs jūs vietējais RYOBI izplatītājs uzņemas izstrādājuma nosūtīšanu uz RYOBI servisa organizāciju. Nosūtīt izstrādājumu uz RYOBI servisa centru, izstrādājuma jābūt droši iepakotam, tas nedrīkst saturēt bīstamas vielas kā degvielu, sūtfūmajam jābūt marķētam ar sūtītāja adresi un īsu kļūmes aprakstu.
5. Remonts/nomaiņa šīs garantijas ietvaros ir bezmaksas. Tas nerada garantijas perioda pagarināšanu vai jaunu garantiju. Nomaiņās daļas vai instrumentu kļūst par mūsu īpašumu. Dažās valstīs piegādes vai pasta izmaksas būs jāapmaksā sūtītājam. Jūsu likumiskās tiesības, kas nodibinās, iegādājoties instrumentu, paliek nemainīgas
6. Šī garantija ir spēkā Eiropas Kopienā, Šveicē, Islandē, Norvēģijā, Līhtenšteinā, Turcijā un Krievijā. Ārpus šīm teritorijām, lūdzu, sazinieties ar jūsu pilnvaroto RYOBI izplatītāju, lai noteiktu, vai ir piemērojama cita garantija.

AUTORIZĒTS APKALPOŠANAS CENTRS

Lai atrastu tuvāko autorizēto apkalpošanas centru, apmeklējiet <http://uk.ryobitools.eu/header/service-and-support/service-agents>.

LT „RYOBI®“ GARANTIJOS TAIKYMO SĄLYGOS

Papildant bet kokias įstatybose numatytas perkanat atsirančias teises, šiam įrenginiui taikoma toliau nurodyta garantija.

1. Vartotojams suteikiama 24 mėnesių trukmės garantija nuo įrenginio įsigijimo datos. Ši data turi būti nurodyta sąskaitoje faktūroje ar kitame pirkimą įrodančiame dokumente. Šis įrenginys skirtas tik vartotojų rinkai ir asmeniniam naudojimui. Todėl garantija netaikoma, jei įrenginys naudojamas profesiniams ar komerciniams reikiams.
2. Įsigijus tam tikrus elektrinius įrenginius (AC/DC), suteikiama galimybė pratęsti garantiją, kad ji galiojūt ilgiau, nei nurodyta pirmiau, naudojantis registracija interneto svetainėje www.ryobitools.eu. Ar galima pratęsti įrenginio garantinį laikotarpį, aiškiai nurodoma parduotuvėse ir (arba) ant įrenginio pakuočės, ir (arba) įrenginio dokumentuose. Galutinis naudotojas turi užregistruoti savo naujai įsigytą įrenginį per 30 dienų nuo įsigijimo datos. Galutinis naudotojas gali registruotis išplėstinei garantijai savo gyvenamojoje šalyje, jei ji nurodyta internetinėje registracijos formoje, kurioje siūloma tokia galimybė. Be to, galutiniai naudotojai turi sutikti su duomenų, kuriuos reikia įvesti internetu, saugojimu ir sveatinės naudojimo sąlygomis. Kaip išplėstinės garantijos įrodymas naudojamas registracijos patvirtinimo kvitas, atsiunčiamas e. paštu, ir originali sąskaita faktūra, kurioje nurodyta įsigijimo data.
3. Ši garantija apima visus garantiniu laikotarpiu aptiktus įrenginio trūkumus, atsiradusius dėl gamybos arba medžiaginių defektų nuo įsigijimo datos. Ši garantija nbrojama remontu ir (arba) pakeitimu, jei neapima jokių kitų įsipareigojimų, įskaitant (bet tuo neapsiribojant) šalutinius arba antrinius nuostolius. Garantija anuliuojama, jei įrenginys buvo naudojamas netinkamai, naudojamas ne pagal naudojimo instrukciją arba netinkamai prijungtas. Ši garantija netaikoma:
 - jokiai įrenginiui padarytai žalai, kurią lemė netinkama techninė priežiūra;
 - jokiam įrenginiui, kuris buvo keičiamas ar modifikuojamas;
 - jokiam įrenginiui, kurio originalūs identifikavimo ženklai (prekės ženklas, serijos numeris) buvo sugadinti, pakeisti arba pašalinti;
 - jokiai žalai, kurią lemė naudojimo instrukcijos nesilaikymas;
 - jokiams CE ženklu nepažymėtiems įrenginiams;
 - jokiam įrenginiui, kurį bandė remontuoti nekvalifikuoti asmenys arba kuris buvo remontojamas be „Technronic Industries“ leidimo;
 - jokiam įrenginiui, kuris buvo prijungtas prie netinkamo maitinimo tinklo (netinkamos srovės, įtampos, dažnio);
 - jokiai žalai, kurią lemė išorinis poveikis (cheminis, fizinis, smūgiai) arba pašalinės medžiagos;
 - dėvimosioms dalims;
 - netinkamam naudojimui, įrenginio perkrovai;
 - nepatvirtintų priedų arba dalių naudojimui;
 - su įrenginiu pateiktiems arba atskirai įsigytiems elektrinio įrenginio priedams. Šios išimty apima (tuo neapsiribojant) atsektuvų antgalius, gražtų antgalius, šlifavimo diskus, švitrinį popierių ir geležtes, šoninį kreiptuvą;
 - komponentams (dalims ir priedams), kurie natūraliai dėviis, įskaitant (bet tuo neapsiribojant) įprastines ir technines priežiūros rinkinius, anglinius šepetėlius, guolius, laikiklį, SDS gražtų antgalį priedą arba lizdą, maitinimo kabelį, pagalbini rąnkėną, nešiojimo dėklą, šlifavimo diską, maišelį dulkmės, dulkių ištraukimo vamzdelį, fetro poveržles, smūginio veržliarakčio kaiščius ir spyruokles ir pan.
4. Prireikus atlikti priežiūros darbus, įrenginį reikia siųsti arba atvežti RYOBI įgaliotajam priežiūros centrui, nurodytam kiekvienos šalies priežiūros centrų adresų sąrašė. Kai kuriose šalyse vietinis RYOBI atstovas siunčia įrenginį RYOBI priežiūros organizacijai. Siunčiant įrenginį RYOBI priežiūros centrui, reikia saugiai jį supakuoti pašalinant visas pavojingas medžiagas, pvz., benzina, nurodyti ant pakuotės siuntytojo adresą ir pridėti trumpą gedimo aprašymą.
5. Pagal šią garantiją remontas / keitimas atliekami nemokamai. Tokie veiksmai netaikomi garantijos pratęsimu arba naujo garantinio laikotarpio pradžia. Dalys arba įrenginiai, kuriuos pakeitėme, tampa mūsų nuosavybe. Kai kuriose šalyse pristatymo ir pašto išlaidas turi padengti siuntėjas. Įstatymuose numatytos Europos teisės, atsirandančios perkanat įrenginį, lieka nepakeistos
6. Ši garantija galioja Europos bendrijoje, Šveicarijoje, Islandijoje, Norvegijoje, Lichtenšteine, Turkiijoje ir Rusijoje. Jei gyvenate ne šiose šalyse, kreipkitės į įgaliotąjį RYOBI atstovą ir sužinokite, ar jums taikoma kita garantija.

ĮGALIOTOS TECHNINĖS PRIEŽIŪROS CENTRAS

Jei norite surasti įgaliotą techninės priežiūros centrą netoli Jūsų, silankykite interneto svetainėje <http://uk.ryobitools.eu/header/service-and-support/service-agents>.

Lisaks toote ostust tulenevatele seadusjärgsetele õigustele, kehtib tootele ka alitooldud garantiiga.

1. Tarbijatele on garantiiaeg 24 kuud ja algab sellel kuupäeval, mil toode osteti. Selle kuupäeva tähtsuseks on vaja arvet või mõnda teist tõendit ostu sooritamise kohta. Toode on mõeldud eratarbijatele ainult isiklikuks kasutamiseks. Seega ei kehti garantii ostu kasutamisel kutsetegevuses või kaubanduslikel eesmärkidel.
2. Teatud osale elektrilistele (vahelduvvoolu/alalisvoolu) tööriistadele on võimalik pikendada tähtsust 24 kuud garantiieaga, kasutades toote registreerimist veebilehel www.ryobitools.eu. Teave tööriista võimaliku pikendatud garantiiaja kohta on selgelt esile toodud poodides ja/või pakendil / ning see sisaldub toote dokumentatsioonis. Lõpparbiaja peab registreerima oma uued tööriistad interneti teel 30 päeva jooksul pärast ostmise päeva. Lõppkasutaja võib registreerida pikendatud garantiiaja saamise oma elukohariigis, kui veebis olevas registreerimisvormis on see valik lubatav. Lisaks peavad kasutajad andma oma nõusoleku veebis nõutud sisestavate andmete säilitamiseks ning nad peavad nõustuma tingimustega. E-posti teel saadetak registreerimise kinnitus ja arve originaal, kus on näha ostu sooritamise kuupäev, on pikendatud garantiiaja tähtsuseks.
3. Garantii katab kõik defektid toote garantiiaja jooksul, kui ostu kuupäeval ilmnevad talitlus- või materjalivead. Garantii piirub toote remondi ja/või väljavahetamisega ning ei sisalda muid kohustusi, muu hulgas ettenägematuid või kaudseid kahjusid. Garantii ei kehti, kui toodet ei ole kasutatud sihtotstarbelselt või kooskõlas kasutusjuhendiga või see on valesti ühendatud. Garantii ei kehti järgmistel põhjustel:
 - toode on kahjustatud vale hoolduse tõttu
 - toodet on muudetud
 - toote algsuunatud identifitseerimisnumbrid (kaubamärk, seerianumber) on rikutud, muudetud või eemaldatud
 - kahju on tekkinud kasutusjuhendi mittejärgmisest
 - tootel puudub CE-märgis
 - toodet on püüdnud remontida vastavat kvalifikatsiooni mitte omav isik või ilma firma Techtronic Industries eelneva loata.
 - toode on ühendatud valesse toiteallikasse (voolutugevus, pinge, sagedus)
 - välismõjude (keemilised, füüsilised, elektrilöögid) või võrkehade tekitatud kahju
 - tavapärase kulumine ja katkised varuosad
 - ebaõige kasutamine, tööriista ülekoormamine
 - heakskiitmata tarvikute või osade kasutamine
 - koos tööriistaga saadud või eraldi ostetud elektriliste tööriistade tarvikud. Need erandid puudutavad muu hulgas kruvikeeraja otsakuid, puuriterasid, lihvkettaid, lihvpaberit ja -tald, küljuhukuid
 - Komponentid (osad ja tarvikud), mida iseloomustab kulumine ja vananemine, muu hulgas remondi- ja hoolduskomplektid, süsinikharjad, laagrid, padrunid, SDS-puuriterade tarvikud, tõeitehju, lisakäepide, transpordikott, lihvplaat, tolmuokott, tolmu väljalasketoru, viildist seibid, löökmutrivõtme viildid ja vedrud jne.
4. Hoolduseks peab toote saatma või viima RYOBI volitatud teenindusse, mille aadressi leiata järgnevast teeninduspunkti nimekirjast vastava riigi alt. Mõnedes riikides võtab kohalik RYOBI edasimüüja enda kanda kohustuse saata toode RYOBI teenindusorganisatsiooni. Toote saatmisel RYOBI teenindusse peab toode olema ohutult pakitud ja ei tohi sisaldada ohtlikke aineid (nt bensiini), kirjas peab olema saatja aadress ja lisatud vea lühikirjeldus.
5. Garantii alusel tehtavad remonditööd / asendamine on tasuta. See ei pikenda garantii kehtivusaega ega tähista uue garantiiaja algust. Väljavahetatud osad või tööriistad kuuluvad meile. Mõnedes riikides maksab kätetoimetamis- ja postikulud saatja. Teile jäävad kehtima tööriista ostust tulenevad seadusjärgsed õigused
6. See garantii kehtib Euroopa Ühenduste territooriumil, Šveitsis, Islandil, Norras, Liechtensteinis, Türgis ja Venemaal. Väljaspool neid piirkondi võtke ühendust volitatud RYOBI edasimüüjaga, et teha kindlaks kas kehtib mõni teine garantii.

VOLITATUD HOOLDUSKESKUS

Oma volitatud hoolduskeskuse leiate veebisaidilt <http://uk.ryobitools.eu/header/service-and-support/service-agents>.

Osim svim zakonskim pravima koja proizlaze iz kupnje, ovaj je proizvod pokriven jamstvom kako je navedeno u nastavku.

1. Jamstveno razdoblje za potrošače traje 24 mjeseca i počinje s datumom na koji je proizvod kupljen. Taj datum mora se dokumentirati računom ili drugim dokazom o kupnji. Proizvod je konstruiran i namijenjen samo za privatnu upotrebu korisnika. Stoga se jamstvo ne daje u slučaju profesionalne ili komercijalne uporabe.
2. Postoji mogućnost da se za dio asortimana električnih alata pokretanih izmjeničnom strujom (AC/DC) produži gore navedeno jamstveno razdoblje putem registriranja na mrežnom mjestu www.ryobitools.eu. Uvjeti koje je potrebno zadovoljiti kako bi se produžilo jamstveno razdoblje jasno su istaknuti u prodavaonicama i / ili na pakiranju / i nalaze se unutar dokumentacije proizvoda. Krajnji korisnik mora registrirati svoje novo kupljene alate na mreži u roku od 30 dana od datuma kupnje. Krajnji korisnik može se registrirati za produženo jamstvo u svojoj zemlji boravišta ako se nalazi na popisu u mrežnom obrascu za registraciju gdje je ta opcija važeća. Nadalje, krajnji korisnici moraju dati svoj pristanak na pohranu podataka koji su potrebni za mrežni ulazak i moraju prihvatiti odredbe i uvjete. Potvrda o prijemu registracije, koja se šalje putem e-pošte, kao i originalni račun s vidljivim datumom kupnje poslužiti će kao dokaz produženog jamstva.
3. Jamstvo pokriva sve nedostatke proizvoda tijekom jamstvenog razdoblja koji su nastali zbog neispravnosti prilikom izrade ili materijala s datumom kupnje. Jamstvo je ograničeno na popravak i/ili zamjenu i ne obuhvaća nikakve druge obveze, uključujući, ali ne ograničavajući se na slučajne ili posljedične štete. Jamstvo ne vrijedi ako je proizvod bio zlorabljeno, korišten u suprotnosti s priručnikom s uputama ili ako je pogrešno spojen. Ovo jamstvo ne primjenjuje se na:
 - svaku štetu koja je na proizvodu nastala kao rezultat nepravilnog održavanja
 - svaki proizvod koji je promijenjen ili izmijenjen
 - svaki proizvod na kojem su izvorne identifikacijske oznake (žig, serijski broj) bile oštećene, izmijenjene ili uklonjene
 - svaku štetu prouzročenu nepridržavanjem priručnika s uputama
 - svaki proizvod koji nema oznaku CE
 - svaki proizvod koji je pokušao popraviti neovlašćen profesionalac ili onaj koji je popravljao bez prethodnog odobrenja tvrtke Techtronic Industries.
 - svaki proizvod koji je spojen na neprikladan izvor električnog napajanja (neodgovarajuća amperaza, napon, frekvencija)
 - svaku štetu prouzročenu unutarnjim utjecajima (kemijskim, fizikalnim, udarima) ili stranim tvarima
 - normalno habanje i trošenje rezervnih dijelova
 - neodgovarajuću uporabu, preopterećenje alata
 - upotrebu neodobrenog pribora ili dijelova
 - dodatnu opremu električnog alata isporučenu s alatom ili kupljenu odvojeno. Takvi izuzetci uključuju ali nisu ograničeni na vrhove odvijачa, svrdla bušilice, abrazivne diske, brusni papir i noževe, bočnu vodilicu
 - Komponente (dijelovi i pribor) podložne prirodnom trošenju i habanju, što uključuje, ali nije ograničeno na komplecte za servisiranje i održavanje, ugljične četkice, ležajeve, steznu glavu, nastavak ili priključak za svrdla za SDS bušilicu, priključni kabel, pomoćnu ručku, transportne torbe, brusnu ploču, vreću za prašinu, ispušnu cijev za prašinu, podloške od filca, udami ključ, zatici i opruge, itd.
4. Za potrebe servisiranja, proizvod se mora poslati ili odnijeti u ovlaštenu servisnu postaju tvrtke RYOBI navedenu na sljedećem popisu s adresama servisnih postaja u svakoj zemlji. U nekim zemljama, vaš lokalni RYOBI zastupnik obvezuje se da će poslati proizvod u servisnu organizaciju tvrtke RYOBI. Kada se proizvod šalje u neku servisnu postaju tvrtke RYOBI, proizvod se mora sigurno pakirati bez jednog od opasnih sadržaja kao što je benzin, na njemu mora pisati adresa pošiljatelja i mora biti popraćen kratkim opisom kvara.
5. Popravak / zamjena pod ovim jamstvom su besplatni. Oni ne predstavljaju produženje ili novi početak jamstvenog razdoblja. Zamijenjeni dijelovi ili alati postaju vaše vlasništvo. U nekim državama troškove isporuke ili poštarinu mora platiti pošiljatelj. Vaša zakonska prava koja proizlaze iz kupnje alata ostaju nepromijenjena
6. Ovo jamstvo vrijedi u Europskoj uniji, Švicarskoj, Islandu, Norveškoj, Lihtenštajnu, Turskoj i Rusiji. Izvan tih područja vas molimo da se obratite svojem ovlaštenom zastupniku tvrtke RYOBI kako biste utvrdili primjenjuje li se drugo jamstvo.

OVLAŠTENI SERVISNI CENTAR

Za pronalaženje ovlaštenog servisnog centra pored vas posjetite <http://uk.ryobitools.eu/header/service-and-support/service-agents>.

SL POGOJI ZA VELJAVNOST GARANCIJE RYOBI®

Poleg morebitnih zakonsko določenih pravic, ki izvirajo iz nakupa, za ta izdelek velja spodaj navedena garancija.

- Garancijsko obdobje je za potrošnike 24 mesecev in začne teči z dnem nakupa izdelka. Ta datum mora biti dokumentiran z računom ali drugim dokazilom o nakupu. Izdelek je zasnovan in namenjen izključno za potrošniško zasebno uporabo. V primeru strokovne oziroma komercialne uporabe izdelka garancija ne velja.
- Obstaja možnost podaljšanja garancije na del naše ponudbe električnih orodij (AC/DC) prek obdobja garancije, opisanega zgoraj, s pomočjo registracije na spletnem mestu www.ryobitools.eu website. Ustreznost orodij za podaljšanje garancijskega obdobja je jasno prikazana v trgovinah in/ali na embalaži oziroma je navedena v dokumentaciji izdelka. Končni uporabnik mora registrirati svoje novo orodje na spletu v 30 dneh po datumu nakupa. Končni uporabnik lahko registrira podaljšano garancijo v svoji državi bivanja, če je na obrazcu spletne registracije navedeno, da ta možnost velja za njegovo državo. Poleg tega morajo končni uporabniki podati svoje soglasje za shranjevanje podatkov, ki so potrebni za spletni dostop in morajo sprejeti pogoje in določila uporabe spletnega mesta. Potrdilo o registraciji, ki ga pošljemo prek e-pošte, in originalni račun, ki prikazuje datum nakupa, služita kot dokazilo o podaljšani garanciji.
- Garancija krije vse okvare izdelka, do katerih pride v garancijskem obdobju zaradi napak v izdelavi ali materialu, ki so bile prisotne ob datumu nakupa. Garancija je omejena na popravilo in/ali zamenjavo in ne vključuje nobenih drugih obveznosti, med drugim vključno z naključno ali posledično škodo. Garancija ne velja, če je bil izdelek napačno uporabljen, uporabljen v nasprotju z navodili iz priročnika za uporabo ali če ni bil pravilno povezan. Ta garancija ne velja za:
 - škodo na izdelku, ki je posledica neustreznega vzdrževanja
 - spremenjen ali prilagojen izdelek
 - izdelek, katerega originalna identifikacijska oznaka (blagovna znamka, serijska številka) je bil poškodovan, spremenjena ali odstranjena
 - škodo, ki je posledica neupoštevanja navodil iz priročnika za uporabo izdelka, ki nima oznake CE
 - izdelek, ki ga je poskušal opraviti nequalificiran strokovnjak ali ki je bil popraviljen brez predhodne odobritve s strani družbe Techtronic Industries.
 - izdelek, ki je bil povezan na neustrezno napajanje (amperska moč, napetost, frekvenca)
 - škodo, ki jo povzročijo zunanji vplivi (kemični, fizični, mehanski) ali tuje snovi
 - rezervne dele, ki so podvrženi običajni uporabi
 - neprimerno uporabo, preobremenitev orodja
 - uporabo neodobrenih dodatkov ali delov
 - Dodatno električno orodje, priloženo orodju ali kupljeno ločeno. Take izjeme so med drugim nastavki za izvijače, svedri, abrazivni diski, brusni papir in rezila, stranska vodila.
 - Komponente (sestavni in rezervni deli), ki so podvrženi običajni obrabi, med drugim vključno s kompleti za servisiranje in vzdrževanje, oglikovimi krtačkami, ležaji, vpenjali, svedrni priključki SDS ali sprejemnimi odprtini zanje, napajalnimi kablji, pomožnimi ročajji, prenosnimi kovčki, brusnimi ploščami, vreckami za prah, cevmi za izpuh prahu, tesnilni iz filca, iglami in vzmetni udamega ključa itd.
- Za servisiranje morate izdelek poslati ali prinesiti v pooblaščen servisni center družbe RYOBI, ki je naveden za vsako državo na naslednjem seznamu naslovov servisnih centrov. V nekaterih državah se vaš lokalni posrednik družbe RYOBI obveže, da bo poslal izdelek na servis družbe RYOBI. Ko pošiljate izdelek v servisni center družbe RYOBI, mora biti izdelek varno zapakiran in ne sme vsebovati nobenih nevarnih snovi, kot je npr. bencin, opremljen pa mora biti z naslovom pošiljatelja in vsebovati kratek opis napake.
- Popravilo/zamenjava v skladu s to garancijo sta brezplačni storitvi. To pa ne predstavlja podaljšanja ali ponovnega začetka garancijskega obdobja. Zamenjani deli ali orodja postanejo naša last. V nekaterih državah stroške dostave ali poštnino plača pošiljatelj. Vaše zakonsko določene pravice, ki izvirajo iz nakupa orodja, ostajajo nespremenjene.
- Ta garancija velja v Evropski skupnosti, Švici, Islandiji, na Norveškem, v Lichtenštajnu, v Turčiji in Rusiji. Izven teh območij se obrnite na svojega pooblaščenega posrednika izdelkov RYOBI, dealer ki vam bo povedal, ali velja kakšna druga garancija.

POOBLAŠČEN SERVISNI CENTER

Pooblaščen servisni center blizu vas poiščite na <http://uk.ryobitools.eu/header/service-and-support/service-agents>.

SK ZÁRUČNÉ PODMIENKY RYOBI®

Na tento výrobok sa okrem všetkých zákonných práv, vyplývajúcich z nákupu, vzťahuje záruka v nasledovnom znení.

- Záručná doba pre spotrebiteľa je 24 mesiacov a začína plynúť odo dňa, kedy bol výrobok zakúpený. Tento dátum musí byť doložený faktúrou alebo iným dokladom o zakúpení. Výrobok je navrhnutý a určený pre spotrebiteľov a ten na súkromné používanie. Preto sa záruka sa neposkytuje v prípade použitia na profesionálne a komerčné účely.
- V prípade elektrického náradia (na striedavý/jednosmerný prúd AC/DC), existuje možnosť predĺženia záručnej doby oproti záručnej dobe, uvedenej vyššie, s využitím on-line registrácie na webovej stránke www.ryobitools.eu. Označenie na náradí o nároku na predĺženie záručnej doby je zreteľne uvedené v obchodoch a/alebo na obale a je uvedené v dokumentácii k výrobku. Koncový používateľ musí zaregistrovať svoje novozískané náradie on-line do 30 dní odo dňa nákupu. Koncový používateľ sa môže zaregistrovať na predĺženie záruky v krajine svojho bydliska, ak je v on-line registračnom formulári uvedená táto možnosť. Ďalej musia koncoví používatelia ešte dať svoj súhlas k uchovávaniu údajov, ktoré je potrebné zadať on-line a musia súhlasiť s podmienkami. Potvrdenie o prijatí registrácie, ktorý je zasielané e-mailom a originál faktúra, v ktorej je uvedený dátum nákupu, slúžia ako dôkaz o predĺženej záruke.
- Záruka sa vzťahuje na všetky poruchy výrobku v záručnej dobe, spôsobené chybami materiálů alebo spracovania k dátumu nákupu. Táto záruka je obmedzená na opravu a/alebo výmenu a nezahŕňa ďalšie povinnosti, vrátane, okrem iných, náhodné alebo následné škody. Táto záruka je neplatná, ak bol výrobok nesprávne používaný, bol používaný v rozpore s návodom na použitie alebo bol nesprávne zapojený. Táto záruka sa nevzťahuje na:
 - akékoľvek poškodenie výrobku, ktoré bolo spôsobené nesprávnou obsluhou
 - akýkoľvek výrobok, ktorý bol zmenený alebo upravený
 - akýkoľvek výrobok, na ktorom bolo poškodené, upravené alebo odstránené identifikačné označenie (ochranná známka, výrobné číslo)
 - akékoľvek škody, spôsobené nedodrzaním návodu na obsluhu
 - akýkoľvek výrobok, ktorý neobsahuje označenie CE
 - akýkoľvek výrobok, ktorý sa pokúšal opraviť nequalifikovaný odborník alebo bol opravovaný bez predchádzajúceho súhlasu so strany spoločnosti Techtronic Industries.
 - akýkoľvek výrobok, pripojený k nesprávnemu napájaciemu zdroju (ampéry, napätie, frekvencia)
 - akékoľvek poškodenia, spôsobené vonkajšími vplyvmi (chemickými, fyzikálnymi, nárazmi) alebo cudzorodými látkami
 - bežné opotrebovanie náhradných dielov
 - nevhodné používanie, preťažovanie nástroja
 - používanie neschváleného príslušenstva a dielov
 - príslušenstvo k elektrickému náradiu, dodávané spolu s náradím alebo zakúpené oddelene. Takéto vylúčenia sa vzťahujú, okrem iného, na násady skrutkovačov, vrtačky, brusne kotúče, brusný papier a čepele, bočné vodiace lišty
 - Súčiastky (diely a príslušenstvo), ktoré podliehajú prirodzenému opotrebeniu, okrem iného súpravy na servis a údržbu, uhliky, ložiská, skľučovadlá, SDS vrtáky a príslušenstvo, príloh alebo prijímanie, napájací kábel, pomocná rukoväť, prepravná skriňa, brusná doska, pracovné vrecko, výfuková trubica, pistené podložky, kotlíky a pružiny na rázový uťahovač atď.
- Na opravu musí byť výrobok odoslaný alebo doručený do autorizovaného servisného strediska RYOBI, uvedeného pre každú krajinu v nasledovnom zozname adries servisných stredísk. V niektorých krajinách miestny zástupca RYOBI preberá na seba záväzok zaslať tovar do servisnej organizácie RYOBI. Pri odoslaní výrobku do servisného strediska RYOBI je potrebné výrobok bezpečne zabaliť bez akéhokoľvek nebezpečného obsahu, ako je benzín, s vyznačením adresy odosielateľa, s krátkym popisom poruchy.
- Oprava/výmena je vrámci tejto záruky bezplatná. Neznamená to predĺženie záruky alebo spustenie novej záručnej doby. Vymenené diely alebo nástroje sa stávajú našim vlastníctvom. V niektorých krajinách náklady na odoslanie alebo poštovné musí zaplatiť odosielateľ. Vaše zákonné práva, vyplývajúce z nákupu náradia, zostávajú nedotknuté.
- Táto záruka platí v Európskej únii, Švajčiarsku, Islande, Nórsku, Lichtenštajnsku, Turesku a Rusku. Ak sa nachádzate mimo týchto oblastí, obráťte sa na autorizovaného predajcu RYOBI na určenie, či sa dá uplatniť iná záruka.

AUTORIZOVANÉ SERVISNÉ CENTRUM

Ak chcete nájsť najbližšie autorizované servisné centrum, navštívte stránku <http://uk.ryobitools.eu/header/service-and-support/service-agents>.

BG УСЛОВИЯ ЗА ВАЛИДНОСТ НА ГАРАНЦИЯТА НА RYOBI®

В допълнение към законоустановените права, произтичащи от покупката, този продукт е обхванат от гаранция, както е изложено по-долу.

- Гаранционният срок е 24 месеца за клиенти и започва да тече от деня на закупуване на продукта. Тази дата трябва да се докаже с фактура или друго доказателство за покупка. Продуктът е изработен и предназначен само за потребителска и лична употреба. Следователно не се дава гаранция в случай на използване от професионалисти или с търговска цел.
- Съществува възможност за удължаване на гаранционния срок за част от диалогана на гаранцията на електрически инструменти (AC/DC) след изтичането на описания тук чрез регистрация на уеб сайта www.ryobitools.eu. В магазините и/или на опаковката или вътре в документацията на продукта е показано ясно дали инструментът отговаря на условията за такова удължаване на гаранционния срок. Крайният потребител трябва да регистрира своите новопридобити инструменти онлайн в рамките на 30 дни от датата на покупка. Крайният потребител може да се регистрира за удължена гаранция в държавата си на пребиваване, ако е посочена във формуляра за онлайн регистрация като място, където тази опция е валидна. Освен това крайните потребители трябва да дадат съгласието си за съхранение на данните, които са задължителни за ползване онлайн, и трябва да приемат общите условия. Полученото потвърждение за регистрация, изпратено по електронна поща, и оригиналната фактура, показваща датата на покупка, ще служат като доказателство за удължената гаранция.
- Гаранцията покрива всички дефекти на продукта по време на гаранционния срок, които се дължат на проблеми в изработката или материалите към момента на покупката. Гаранцията е ограничена до ремонт и/или замяна и не включва други задължения, включително, но не само, случайни или косвени щети. Гаранцията е невалидна, ако продуктът е използван неправилно или в противоречие с ръководството с инструкции, както и ако е свързан неправилно. Тази гаранция не важи за:
 - щети по продукта в резултат на неправилна профилактика
 - продукти, които са били изменени или модифицирани
 - продукт, при който оригиналните маркировки за идентификация (търговска марка, серийен номер) са изтрети, променени или премахнати
 - повреда, причинена от неспазване на ръководството с инструкции
 - продукт без CE маркировка
 - продукт, за който е направен опит за ремонт от неквалифициран специалист или без предварително разрешение от Techtronic Industries.
 - продукт, свързан към неподходящо електрозахранване (ампераж, волтаж, честота)
 - щети, причинени от външни влияния (химични, физични, удари) или чужди вещества
 - нормално износване на резервни част
 - неподходяща употреба, претоварване на инструмента
 - използване на неодобрен аксесоар или части
 - Аксесоарите за електрически инструмент са предоставени с инструмента или се кулват отделно. Тези изключения включват, но не само, накрайници за отвертка, сверела, абразивни дискове, шкурка и остриета, страничен водач
 - Компоненти (части и аксесоари), подложени на естествено износване, включително, но не само, комплекти за обслужване и поддръжка, карбонови четки, лагери, патронник, приставка със средло SDS или приемно устройство, захранващ кабел, спомогателна ръкохватка, кутия за транспортиране, шлифовъчна пластина, торба за прах, тръба за отвеждане на прах, филцови шайби, цифрове и пружини за винтоверти и др.
- За обслужване продуктът трябва да се изпрати или занесе на авторизан сервис на RYOBI, посочен за всяка държава в следния списък с адреси на сервиси. В някои държави местният търговец на RYOBI поема отговорността да изпрати продукта до сервизен център на RYOBI. При изпращане на продукт до сервис на RYOBI той трябва да е опакован безопасно без опасо съдържание, напр. бензин, да е маркиран с адреса на подателя и придружен от кратко описание на повредата.
- Ремонът/замяната по силата на тази гаранция са безплатни. Те не водят до удължаване или подновяване на гаранционния срок. Сменените части или инструменти стават наша собственост. В някои държави таксите за доставка или изпращане трябва да се платят от подателя. Законоустановените ни права, произтичащи от закупуването на инструмента, остават незасегнати.
- Тази гаранция е валидна в Европейската общност, Швейцария, Исландия, Норвегия, Лихтенщайн, Турция и Русия. Извън тези области се свържете с упълномощения търговец на RYOBI, за да се установи дали е приложима друга гаранция.

УПЪЛНОМОЩЕН СЕРВИЗЕН ЦЕНТЪР

За да намерите упълномощен сервизен център близо до вас, посетете <http://uk.ryobitools.eu/header/service-and-support/service-agents>.

UK ГАРАНТИЙНИ УМОВИ ДЛЯ RYOBI®

Окрім загалом установлених законом прав, що стосуються покупки, цей пристрій покривається гарантією, що зазначено нижче.

- Гарантійний період для споживачів складає 24 місяці і починається з моменту придбання цього пристрою. Ця дата повинна бути задокументована у гарантійному талоні або чеку. Цей пристрій був розроблений і призначений тільки для споживчого та приватного використання. У разі професійного або комерційного використання цього пристрою, він втрачає гарантію.
- Існує можливість подовжити гарантійний період для частини лінійки електронструментів (перемінного/постійного струму), понад період описаний вище за допомогою реєстрації на сайті www.ryobitools.eu. Пристрої, які мають право на подовження гарантійного періоду, мають чіткі позначки щодо цього в магазинах і / або на упакуванні / та документації до пристрою. Кінцевий користувач повинен зареєструвати його/її новопридбаний пристрій онлайн протягом 30 днів з дати покупки. Кінцевий користувач може зареєструватися для подовження гарантійного періоду в своїй країні постійного перебування, якщо вона є доступною у відповідній опції онлайн форми реєстрації. Крім того, кінцеві користувачі повинні дати свою згоду на зберігання даних, які необхідні для введення онлайн, а також вони повинні прийняти правила та умови. Отримання підтвердження реєстрації, яке відправляється на адресу електронної пошти, та оригінал гарантійного талона і зазначеною датою покупки буде служити доказом подовженої гарантії.
- Гарантія поширюється на всі дефекти пристрою протягом гарантійного терміну щодо недотримання стандартів виробництва або матеріалів на дату придбання. Гарантія обмежується ремонтом та/або заміною, та не включає в себе будь-яких інших зобов'язань, в тому числі, але не обмежена у разі випадкових та ненадлежащих пошкоджень. Гарантія не діє, якщо пристрій використовувався ненадлежащим чином, всупереч інструкції з експлуатації або був неправильно підключений до мережі. Дана гарантія не поширюється на:
 - пристрої, що були пошкоджені у результаті неправильного технічного обслуговування;
 - пристрої, що були видозміннені або модифіковані;
 - пристрої, оригінальні ідентифікаційні (товарний знак, серійний номер) маркування яких було пошкоджене, змінене або видалено;
 - будь-які пошкодження, заподіяні недотриманням інструкції з експлуатації;
 - пристрої, що не мають маркування CE;
 - пристрої, що були відремонтовані некваліфікованим фахівцем або за відсутності попереднього дозволу від Techtronic Industries;
 - пристрої, підключені до невідповідного джерела живлення (сила току, напруги, частота);
 - будь-які пошкодження спричинені зовнішнім впливом (хімічним, фізичним, стрибком напруги) або сторонніми речовинами;
 - нормальну амортизацію запасних частин;
 - невідповідне використання, перевантаження пристрою;
 - використання не підтверджених запасних частин або аксесуарів;
 - приладдя до електронструменту, що постачається разом з пристроєм або купуються окремо. Такі винятки враховують але не є обмеженнями для наконечників викруток, свердел, абразивних дисків, наждачного паперу та лез, бічних напрямних – компоненти(частини та приладдя) з урахуванням нормального зношування, враховуючи, але без обмеження на комплекти профілактики та технічного обслуговування, вузькі шітки, підшипники, патрони, кріплення або прийом SDS свердел, кабелі живлення, додаткові рукоятки, чохла для транспортування, шліфувальні пластини, мішки для збору пилу, трубки вихлопу, шпурові кільця, шпирі і пружини гайковерту і т.д.
- Для обслуговування, пристрій має бути відправлений або поданий до одного з авторизованих сервісних центрів RYOBI, які перелічені для кожної країни у наступному переліку адрес сервісних центрів. У деяких країнах місцевий дилер RYOBI зобов'язується відправити пристрій до сервісного центру RYOBI. При відправленні пристрою до сервісного центру RYOBI, пристрій має бути надійно упакований без будь-якого небезпечного вмісту, наприклад бензину, з позначеною адресою відправника та супроводжується коротким описом несправності.
- Ремонт / заміна відповідно до цієї гарантії здійснюється безкоштовно. Це не є основою для подовження або початку нового гарантійного періоду. Замінені частини або прилади переходять до власності компанії. У деяких країнах вартість доставки або поштові витрати повинні бути сплачені відправником. Загально встановлені права покупця на пристрій залишаються незмінними.
- Ця гарантія діє в Європейському Союзі, Швейцарії, Ісландії, Норвегії, Лихтенштейні, Туреччині та Росії. За межами цих зон, будь ласка, зверніться до офіційного дилера RYOBI, щоб визначити, чи застосовується інша гарантія.

АВТОРИЗОВАНІ СЕРВІСНІ ЦЕНТРИ

Для отримання оновленого переліка авторизованих сервісних центрів, відвідайте <http://uk.ryobitools.eu/header/service-and-support/service-agents>.

TR RYOBI® GARANTİ UYGULAMA KOŞULLARI

Alımdan kaynaklanan yasal haklara ek olarak, ürün aşağıda belirtilen garanti kapsamındadır.

1. Tüketiciler için 24 ay olan garanti süresi, ürünün satın alındığı tarihte başlar. Bu tarihin bir faturası ya da alım kanıtıyla belgelenmesi gerekir. Ürün sadece tüketim ve özel kullanım için geliştirilmiş ve adanmıştır. Bu nedenle, profesyonel ya da ticari kullanımlar halinde garanti kapsamı dışlanmaz.
2. Elektrikli el aletlerinin bir bölümü (AC/DC) için www.ryobitools.eu sayfasındaki kayıt işlemini kullanarak garantinin belirtilen süresinin ötesine sayfa imkanı mevcuttur. Aletlerin garanti süresinin uzatılmasına uygun olup olmadığı mağazalarda ve / veya ambalajda açıkça belirtilmiş olup, ürün dokümantasyonunda gösterilir. Son kullanıcının yeni aldığı aletleri satın alma tarihini izleyen 30 gün içinde kaydetmesi gerekir. Son kullanıcı ikamet ettiği ülkede, bu seçeneğin geçerli olduğu çevrimiçi kayıt formunda belirtilmişse, uzatılmış garanti süresi için kayıt yapılabilir. Dahası, son kullanıcıların çevrimiçi giriş için gerekli verilerin kaydedilmesine izin vermek ve hüküm ve koşulları kabul etmelidir. E-posta ile gönderilen kayıt teyit makbuzu ve alım tarihini gösteren orijinal fatura uzatılmış garantinin kanıtı olarak değerlendirilir.
3. Garanti, ürünün alım tarihindeki işçilik ve malzeme kusurları nedeniyle garanti süresi içinde oluşacak bütün arızaları kapsar. Bu garanti onarım ve değiştirilmeyle sınırlı olup, tasadufi ya da dolaylı hasarlar da dahil, ancak bunlarla kısıtlı olmayan başka hiçbir tahahhüd kapsamaz. Garanti, ürünün kötü, kullanıcı kılavuzuna aykırı kullanımıyla ya da yanlış bağlanmış olması halinde geçerli değildir. Bu garanti aşağıdakileri kapsamaz:
 - üründe, yanlış bakımından kaynaklanan herhangi bir hasar
 - değiştirilmesi ya da modifiye edilmiş herhangi bir ürün
 - orijinal tanıtmış işaretleri (ticari marka, seri numarası) silinmiş, değiştirilmiş ya da kaldırılmış herhangi bir ürün
 - kullanma kılavuzuna uymamaktan kaynaklanmış herhangi bir hasar
 - herhangi bir AT dışı ürün
 - kalifiye olmamış personel tarafından ya da önceden Techtronic Industries onayı alınmadan onarılmış herhangi bir ürün.
 - uygunsuz güç kaynağına (amper, voltaj, frekans) bağlanmış herhangi bir ürün
 - harici etkenlerden (kimyasal, fiziksel, darbe) veya yabancı cisimlerden kaynaklanan her türlü hasar
 - normal aşınır ve yıpranır aksam
 - uygunsuz kullanım, aletin aşırı yüklenmesi
 - onaysız aksesuar veya parça kullanımı
4. Aletle birlikte sağlanmış ya da ayrıca alınmış elektrikli alet aksesuarları, Tornavida uçları, matkap uçları, aşındırıcı diskler, zımpara kağıdı ve bıçakları, yanıl kılavuz gibi aksesuarları, ancak bunlarla sınırlı olmayan eklentiler
5. Servis ve Bakım kitiyle, kömür fırçalar, yataklar, kovanlar, SDS matkap ucu bağlantısı ya da yuvaları, güç kablosu, yedek tutamak, nakliye ve taşıma kutusu, kuşlama plakası, toz torbası, toz egzoz borusu, keçe rondelalar, Darbeli Tornavida Pim ve yayları vb. gibi parçaları kapsayan, ancak bunlarla sınırlı olmayan, aşınma ve yıpranmaya tabi bileşenler (aksam ve aksesuarlar).
4. Ürünün servis için her ülkede aşağıdaki servis istasyonları adres listesinde yer alan yetkili bir RYOBI servis istasyonuna gönderilmesi ya götürülmesi gereklidir. Bazı ülkelerde, yerel RYOBI distribütörünüz ürünü RYOBI servis teşkilatına göndermeyi üstlenir. Bir ürün bir RYOBI servis istasyonuna gönderilirse, ürünün güvenli bir biçimde ambalajlanması, benzin gibi tehlikeli maddeler içermemesi, gönderinen adresini taşıması ve arızanın kısa bir açıklamasını içermesi gerekir.
5. Bu garanti kapsamında yapılacak onarım / değişiklik ücretsizdir. Garanti süresinin uzatılması ya da yeniden başlatılması anlamına gelmez. Değiştirilmiş parçalar veya aletler bize ait olur. Bazı ülkelerde teslimat ücretleri veya posta giderlerinin gönderici tarafından ödenmesi gerekir. Alımdan kaynaklanan yasal haklarınıza etkilenmez
6. Bu Garanti Avrupa Topluçuluğu, İsviçre, İzlanda, Norveç, Liechtenstein, Türkiye ve Rusya'da geçerlidir. Bu alanların dışında, başka bir garantinin geçerli olup olmadığını belirlemek için lütfen yetkili RYOBI distribütörünüzle iletişime geçin.

YETKİLİ SERVİS MERKEZİ

En yakın yetkili servis merkezini öğrenmek için <http://uk.ryobitools.eu/header/service-and-support/service-agents> sitesine girin.

EL ΟΡΟΙ ΕΦΑΡΜΟΓΗΣ ΤΩΝ ΠΡΟΫΠΟΘΕΣΩΝ ΕΓΓΥΗΣΗΣ ΤΗΣ RYOBI®

Εκτός από τα νόμιμα δικαιώματα, τα οποία προκύπτουν από την αγορά, το προϊόν καλύπτεται από εγγύηση, λεπτομέρειες της οποίας ακολουθούν στη συνέχεια.

1. Η διάρκεια της εγγύησης για τους καταναλωτές είναι 24 μήνες και αρχίζει από την ημερομηνία αγοράς. Η ημερομηνία θα πρέπει να αναγράφεται στην απόδειξη ή σε άλλο αποδεικτικό αγοράς. Το προϊόν έχει σχεδιαστεί και προορίζεται αποκλειστικά για οικιακή χρήση από καταναλωτές. Συνεπώς, δεν παρέχεται εγγύηση σε περίπτωση επαγγελματικής ή εμπορικής χρήσης.
2. Υπάρχει η δυνατότητα επέκτασης της εγγύησης για ορισμένα ηλεκτρικά εργαλεία (AC/DC), πέραν του παραπάνω αναφερόμενου χρονικού διαστήματος, μέσω εγγραφής στο δικτυακό τόπο www.ryobitools.eu. Η επλεξιμότητα των εργαλείων με δυνατότητα επέκτασης της περιόδου εγγύησης αναγράφεται ρητά στα καταστήματα κατά την επίσκεψή τους στο κατάστημα, ενώ περιέχεται στην τεκμηρίωση του προϊόντος. Το τελικό χρήστη θα πρέπει να καταχωρήσει τα προσωπικά αποκτηθέντα εργαλεία online, εντός 30 ημερών από την ημερομηνία αγοράς. Ο τελικός χρήστης μπορεί να εγγραφεί για την επέκταση εγγύησης επί χώρα κατοικίας, εφόσον αυτή περιλαμβάνεται στο online έντυπο εγγραφής, εάν υπάρχει η δυνατότητα επέκτασης. Επιπλέον, οι τελικοί χρήστες θα πρέπει να παρέχουν τη συγκατάθεσή τους για την αποθήκευση των στοιχείων τους, τα οποία οφείλουν να καταχωρούνται online, όπως και να αποθηκεύονται του όρους και τις προϋποθέσεις. Η απόδειξη επιβεβαίωσης της εγγραφής, η οποία αποστέλλεται μέσω email, και η πρωτότυπη απόδειξη αγοράς, η οποία αναγράφει την ημερομηνία αγοράς, αποτελούν αποδεικτικά της παρατεταμένης εγγύησης.
3. Η εγγύηση καλύπτει όλα τα ελαττώματα του προϊόντος, κατά τη διάρκεια της περιόδου εγγύησης, λόγω κατασκευαστικών ελαττωμάτων ή αστοχίας υλικού κατά την ημερομηνία αγοράς. Η εγγύηση περιορίζεται στην επίσκεψη κατά την αντικατάσταση και δεν περιλαμβάνει καμία άλλη υποχρέωση, συμπεριλαμβανομένων, ενδεικτικά, συμπληρωματικών ή παρεπόμενων ζημιών. Η εγγύηση δεν ισχύει εφόσον, έχει σημειωθεί κακομεταχείριση του προϊόντος, δεν έχουν τηρηθεί οι οδηγίες του εγχειριδίου οδηγιών ή το προϊόν έχει συνδεθεί λανθασμένα. Η εγγύηση δεν ισχύει για:
 - οποιαδήποτε ζημία στο προϊόν, η οποία είναι αποτέλεσμα κακής συντήρησης
 - οποιοδήποτε προϊόν, το οποίο έχει αλλοιωθεί ή τροποποιηθεί
 - οποιοδήποτε προϊόν, στο οποίο έχει αλλοιωθεί, τροποποιηθεί ή αφαιρεθεί το γνήσιο αναγνωριστικό (σήμα κατατεθέν, σειριακός αριθμός)
 - οποιαδήποτε ζημία προκλήθηκε λόγω μη τήρησης του εγχειριδίου οδηγιών
 - οποιοδήποτε προϊόν χωρίς σήμανση CE
 - οποιοδήποτε προϊόν, στο οποίο έχει γίνει προσπάθεια επίσκεψης από μη καταρτισμένο επαγγελματία ή χωρίς την προηγούμενη έγκριση της Techtronic Industries.
 - οποιαδήποτε προϊόν, το οποίο έχει συνδεθεί σε ακατάλληλη παροχή ρεύματος (αμπερ, ισχύ, συχνότητα)
 - οποιαδήποτε ζημία έχει προκληθεί από εξωτερικές επιδράσεις (χημικές, φυσικές, κλιματιομετρικές) ή ξένες ουσίες
 - φυσιολογική φθορά και ρήξη ανταλλακτικών
 - ακατάλληλη χρήση, υπερφόρτωση του εργαλείου
 - χρήση μη ενδεδειγμένων εξαρτημάτων ή ανταλλακτικών
 - Εξαρτήματα ηλεκτρικών εργαλείων που παρασχεθήκαν με το εργαλείο ή αγοράστηκαν ξεχωριστά. Τέτοιες εξαρτήματα περιλαμβάνουν, ενδεικτικά, μύτες κατασθίδιου, τρυπάνια, δίσκους λείανσης, γυαλόχαρτο και λειπίδες, πλευρικό οδηγό
 - Εξαρτήματα (ανταλλακτικά και αξεσουάρ) που υποκείμενα σε φυσική φθορά και θραύση, συμπεριλαμβανομένων, ενδεικτικά, σετ επίσκεψης & συντήρησης, ψηκτρών άνθρακα, εφεδράνων, τοοκ, εξαρτημάτων ή υποδοχών τρυπανιών SDS, καλωδίων ισχύος, βοηθητικής λαβής, βαλβίδας μεταφοράς, βάσης τριβείου, σκαουλιάς συλλογής σκόνης, σωλήνα εξαναγκαστικής σκόνης, ροδελών τόδρας, μυτών και ελατηρίων κροστικού κελυφού κοχλιών, κτλ.
4. Το προϊόν θα πρέπει να αποσταλεί ή να παραδοθεί για επισκευή ή συντήρηση σε εξουσιοδοτημένο σημείο σέρβις της RYOBI που περιλαμβάνεται στον ακόλουθο κατάλογο διευθύνσεων να κάθε χώρα. Σε ορισμένες χώρες, το τοπικό σημείο πώλησης της RYOBI αναλαμβάνει την αποστολή του προϊόντος στο κεντρικό σέρβις της RYOBI. Κατά την αποστολή ενός προϊόντος σε σημείο σέρβις της RYOBI, αυτό θα πρέπει να είναι ασφαλισμένο συσκευασμένο, χωρίς επικίνδυνα περιεχόμενο, όπως, πετρέλαιο, να φέρει τη διευθύνση του αποστολέα και να συνοδεύεται από σύντομη περιγραφή της βλάβης.
5. Η επιδιόρθωση / αντικατάσταση υπό την παρούσα εγγύηση παρέχεται δωρεάν. Δε συνιστά παράταση της περιόδου εγγύησης ή εκκίνηση νέας περιόδου εγγύησης. Τα μέρη που αντικαθίστανται περιέχονται στην κυριότητα μας. Σε ορισμένες χώρες, τα ενδεχόμενα έξοδα παράδοσης ή μεταφοράς βερνιών που αποστέλνεται. Τα νόμιμα δικαιώματά σας, τα οποία απορρέουν από την αγορά του εργαλείου, δεν θίγονται.
6. Η παρούσα εγγύηση ισχύει στην Ευρωπαϊκή Κοινότητα, την Ελβετία, την Ισπανία, τη Νορβηγία, το Λιχτενστάιν, την Τουρκία και την Ρωσία. Εκτός των παραπάνω περιοχών, σας παρακαλούμε να επικοινωνήσετε με εξουσιοδοτημένο κατάστημα πώλησης της RYOBI, προκειμένου να διαπιστωθεί εάν ισχύει κάποια άλλη εγγύηση.

ΕΞΟΥΣΙΟΔΟΤΗΜΕΝΟ ΚΕΝΤΡΟ ΣΕΡΒΙΣ

Για να εντοπίσετε ένα εξουσιοδοτημένο κέντρο σέρβις στην περιοχή σας, επισκεφτείτε τη σελίδα <http://uk.ryobitools.eu/header/service-and-support/service-agents>.

EN DECLARATION OF CONFORMITY

Technronic Industries GmbH
Max-Eyth-Straße 10, 71364 Winnenden, Germany

Herewith we declare that the product

18V Air compressor
Brand: RYOBI
Model number: R18AC
Serial number range: 47507201000001 - 47507201999999

is in conformity with the following European Directives and harmonised standards

2006/42/EC, 2014/30/EU, 2011/65/EU
EN 55014-1: 2017; EN 55014-2: 2015;
EN 1012-1: 2010; EN 60204-1: 2018

RoHS documentation is compiled according to EN IEC 63000: 2018

Todd Chipner
Sr. Director, CPT Quality and Asia Regulatory & Safety
Winnenden, Oct. 28, 2019

Authorised to compile the technical file:

Alexander Krug, Managing Director
Technronic Industries GmbH
Max-Eyth-Straße 10, 71364 Winnenden, Germany

CE

ES DECLARACIÓN DE CONFORMIDAD

Technronic Industries GmbH
Max-Eyth-Straße 10, 71364 Winnenden, Germany

Por la presente declaramos que los productos

Compresor de aire de 18 V
Marca: RYOBI
Número de modelo: R18AC
Intervalo del número de serie: 47507201000001 - 47507201999999

se encuentra en conformidad con las siguientes Directivas Europeas y normas armonizadas

2006/42/EC, 2014/30/EU, 2011/65/EU
EN 55014-1: 2017; EN 55014-2: 2015;
EN 1012-1: 2010; EN 60204-1: 2018

Documentación sobre restricción de sustancias peligrosas (RoHS) recopilada según la norma EN IEC 63000: 2018

Todd Chipner
Director principal, Calidad CPT y Normas y Seguridad para Asia
Winnenden, Oct. 28, 2019

Autorizado para elaborar la ficha técnica:

Alexander Krug, Administrador Ejecutivo
Technronic Industries GmbH
Max-Eyth-Straße 10, 71364 Winnenden, Germany

CE

FR DÉCLARATION DE CONFORMITÉ

Technronic Industries GmbH
Max-Eyth-Straße 10, 71364 Winnenden, Germany

Déclarons par la présente que le produit

Compresseur pneumatique 18 V
Marque: RYOBI
Numéro de modèle: R18AC
Étendue des numéros de série: 47507201000001 - 47507201999999

est conforme aux Directives Européennes et Normes Harmonisées suivantes

2006/42/EC, 2014/30/EU, 2011/65/EU
EN 55014-1: 2017; EN 55014-2: 2015;
EN 1012-1: 2010; EN 60204-1: 2018

La documentation RoHS a été dressée d'après EN IEC 63000: 2018

Todd Chipner
Directeur principal, Qualité CPT et Réglementation/Sécurité pour la région Asie
Winnenden, Oct. 28, 2019

Autorisé à rédiger le dossier technique:

Alexander Krug, Directeur Général
Technronic Industries GmbH
Max-Eyth-Straße 10, 71364 Winnenden, Germany

CE

IT DICHIARAZIONE DI CONFORMITÀ

Technronic Industries GmbH
Max-Eyth-Straße 10, 71364 Winnenden, Germany

Si dichiara con la presente che il prodotto

Compresore ad aria da 18 V
Marca: RYOBI
Numero modello: R18AC
Gamma numero seriale: 47507201000001 - 47507201999999

è conforme alle seguenti Direttive Europee e ai seguenti standard armonizzati

2006/42/EC, 2014/30/EU, 2011/65/EU
EN 55014-1: 2017; EN 55014-2: 2015;
EN 1012-1: 2010; EN 60204-1: 2018

La documentazione RoHS è stata compilata come indicato dalle norme EN IEC 63000: 2018

Todd Chipner
Sig. Direttore, qualità CPT e sicurezza e normativa per l'Asia
Winnenden, Oct. 28, 2019

Autorizzato per compilare il file tecnico:

Alexander Krug, Direttore Amministrativo
Technronic Industries GmbH
Max-Eyth-Straße 10, 71364 Winnenden, Germany

CE

DE KONFORMITÄTSERKLÄRUNG

Technronic Industries GmbH
Max-Eyth-Straße 10, 71364 Winnenden, Germany

Hiermit erklären wir, dass das Produkt

18V-Druckluftkompressor
Marke: RYOBI
Modellnummer: R18AC
Seriennummernbereich: 47507201000001 - 47507201999999

den folgenden europäischen Richtlinien und harmonisierten Normen entspricht

2006/42/EC, 2014/30/EU, 2011/65/EU
EN 55014-1: 2017; EN 55014-2: 2015;
EN 1012-1: 2010; EN 60204-1: 2018

RoHS Dokumentation ist gemäß EN IEC 63000: 2018 zusammengestellt

Todd Chipner
Sr. Director, Qualität CPT und Regulierung und Sicherheit in Asien
Winnenden, Oct. 28, 2019

Autorisiert die technische Datei zu erstellen:

Alexander Krug, Geschäftsführer
Technronic Industries GmbH
Max-Eyth-Straße 10, 71364 Winnenden, Germany

CE

NL CONFORMITEITSVERKLARING

Technronic Industries GmbH
Max-Eyth-Straße 10, 71364 Winnenden, Germany

Hierbij verklaren wij dat het product

18 V luchtcompressor
Merk: RYOBI
Modelnummer: R18AC
Seriennummereg: 47507201000001 - 47507201999999

is in overeenstemming met de volgende Europese Richtlijnen en geharmoniseerde normen

2006/42/EC, 2014/30/EU, 2011/65/EU
EN 55014-1: 2017; EN 55014-2: 2015;
EN 1012-1: 2010; EN 60204-1: 2018

RoHS-documentatie is samengesteld in overeenstemming met EN IEC 63000: 2018

Todd Chipner
Sr. Directeur, CPT Kwaliteit en Azië Regelgeving en veiligheid
Winnenden, Oct. 28, 2019

Afgevaardigde voor het samenstellen van de technische fiche:

Alexander Krug, Directeur
Technronic Industries GmbH
Max-Eyth-Straße 10, 71364 Winnenden, Germany

CE



PT DECLARAÇÃO DE CONFORMIDADE

Techtronic Industries GmbH
Max-Eyth-Straße 10, 71364 Winnenden, Germany

Pelo presente declaramos que os produtos

Compressor de ar de 18 V
Marca: RYOBI
Número do modelo: R18AC
Intervalo do número de série: 47507201000001 - 47507201999999

se encontra em conformidade com as seguintes Directivas Europeias e normas harmonizadas

2006/42/EC, 2014/30/EU, 2011/65/EU
EN 55014-1: 2017; EN 55014-2: 2015;
EN 1012-1: 2010; EN 60204-1: 2018

Documentação sobre restrição de substâncias perigosas (RoHS) compilada segundo a norma EN IEC 63000: 2018

Todd Chipner
Diretor Sénior, Qualidade CPT e Assuntos Regulamentares e de Segurança da Ásia
Winnenden, Oct. 28, 2019

Autorizado para compilar o ficheiro técnico:
Alexander Krug, Administrador Executivo
Techtronic Industries GmbH
Max-Eyth-Straße 10, 71364 Winnenden, Germany

DA OVERENSSTEMMELSESERKLÆRING

Techtronic Industries GmbH
Max-Eyth-Straße 10, 71364 Winnenden, Germany

Vi erklærer hermed, at produktet

18 V luftkompressor
Brand: RYOBI
Modelnummer: R18AC
Serienummerområde: 47507201000001 - 47507201999999

er i overensstemmelse med følgende EU-direktiver og harmoniserede standarder

2006/42/EC, 2014/30/EU, 2011/65/EU
EN 55014-1: 2017; EN 55014-2: 2015;
EN 1012-1: 2010; EN 60204-1: 2018

RoHS-dokumentationen er udarbejdet i henhold til EN IEC 63000: 2018

Todd Chipner
Hr. Direktør, CPT Quality and Asia Regulatory & Safety
Winnenden, Oct. 28, 2019

Bemyndiget til at udarbejde det tekniske kartotek:
Alexander Krug, Administrerende Direktør
Techtronic Industries GmbH
Max-Eyth-Straße 10, 71364 Winnenden, Germany

SV KONFORMITETSDEKLARATION

Techtronic Industries GmbH
Max-Eyth-Straße 10, 71364 Winnenden, Germany

Härmed deklarerar vi att produkterna

Luftkompressor på 18 V
Märke: RYOBI
Modellnummer: R18AC
Serienummerintervall: 47507201000001 - 47507201999999

är i enlighet med följande EU-direktiv och harmoniserade standarder

2006/42/EC, 2014/30/EU, 2011/65/EU
EN 55014-1: 2017; EN 55014-2: 2015;
EN 1012-1: 2010; EN 60204-1: 2018

RoHS-dokumentation sammanställd enligt EN IEC 63000: 2018

Todd Chipner
Teknisk chef, CPT-kvalitet samt regelverk och säkerhet för Asien
Winnenden, Oct. 28, 2019

Godkänd att sammanställa den tekniska filen:
Alexander Krug, VD
Techtronic Industries GmbH
Max-Eyth-Straße 10, 71364 Winnenden, Germany

FI SÄÄNNÖSTEN NOUDATTAMINEN

Techtronic Industries GmbH
Max-Eyth-Straße 10, 71364 Winnenden, Germany

Ilmoittamme täten, että tuotteet

18 V:n ilmakompressori
Tuotemerkki: RYOBI
Mallinnumero: R18AC
Sarjanumeroalue: 47507201000001 - 47507201999999

noudattaa seuraavia EU-direktiivejä ja harmonoituja standardeja

2006/42/EC, 2014/30/EU, 2011/65/EU
EN 55014-1: 2017; EN 55014-2: 2015;
EN 1012-1: 2010; EN 60204-1: 2018

RoHS-dokumentaatio on koottu standardin EN IEC 63000: 2018 mukaisesti

Todd Chipner
Vanhempi, CPT-toimitusten laadusta ja Aasian alueen sääntelystä ja turvallisuudesta
vastaava johtaja
Winnenden, Oct. 28, 2019

Valtuutettu kokoamaan tekninen tiedosto:
Alexander Krug, Toimitusjohtaja
Techtronic Industries GmbH
Max-Eyth-Straße 10, 71364 Winnenden, Germany

NO SAMSVARERKLÆRING

Techtronic Industries GmbH
Max-Eyth-Straße 10, 71364 Winnenden, Germany

Herved erklærer vi at produktet

18 V luftkompressor
Merke: RYOBI
Modellnummer: R18AC
Serienummerserie: 47507201000001 - 47507201999999

er i samsvar med følgende europeiske direktiver og harmoniserte standarder

2006/42/EC, 2014/30/EU, 2011/65/EU
EN 55014-1: 2017; EN 55014-2: 2015;
EN 1012-1: 2010; EN 60204-1: 2018

RoHS dokumentasjonen er skrevet i samsvar med EN IEC 63000: 2018

Todd Chipner
Sr. direktør, CPT kvalitet, samt juridisk og sikkerhet for Asia
Winnenden, Oct. 28, 2019

Autorisert til å sette sammen den tekniske filen:
Alexander Krug, Administrerende Direktør
Techtronic Industries GmbH
Max-Eyth-Straße 10, 71364 Winnenden, Germany

RU ЗАЯВЛЕНИЕ О СООТВЕТСТВИИ ТРЕБОВАНИЯМ

Techtronic Industries GmbH
Max-Eyth-Straße 10, 71364 Winnenden, Germany

Настоящим мы заявляем, что данный продукт

Воздушный компрессор 18 В
Марка: RYOBI
Номер модели: R18AC
Диапазон заводских номеров: 47507201000001 - 47507201999999

соответствует требованиям следующих Директив ЕС и согласованных стандартов

2006/42/EC, 2014/30/EU, 2011/65/EU
EN 55014-1: 2017; EN 55014-2: 2015;
EN 1012-1: 2010; EN 60204-1: 2018

Документация RoHS соответствует стандарту EN IEC 63000: 2018

Todd Chipner
Г-н Директор по контролю качества продукции CPT, нормативов и безопасности
Азиатском регионе
Winnenden, Oct. 28, 2019

Лицо, ответственное за подготовку технической документации:
Alexander Krug, Директор
Techtronic Industries GmbH
Max-Eyth-Straße 10, 71364 Winnenden, Germany





PL DEKLARACJA ZGODNOŚCI

Techtronic Industries GmbH
Max-Eyth-Straße 10, 71364 Winnenden, Germany

Niniejszym deklarujemy, że produkt

Sprężarka powietrza 18 V
Marka: RYOBI
Numer modelu: R18AC
Zakres numerów seryjnych: 47507201000001 - 47507201999999

jest zgodny z następującymi dyrektywami europejskimi i zharmonizowanymi normami

2006/42/EC, 2014/30/EU, 2011/65/EU
EN 55014-1: 2017; EN 55014-2: 2015;
EN 1012-1: 2010; EN 60204-1: 2018

Dokumentacja RoHS została opracowana zgodnie z normą EN IEC 63000: 2018

Todd Chipner

Starszy dyrektor ds. jakości elektronarzędzi konsumenckich oraz przepisów i bezpieczeństwa na Azję
Winnenden, Oct. 28, 2019

Osoba upoważniona do sporządzenia dokumentu technicznego:

Alexander Krug, Dyrektor Zarządzający
Techtronic Industries GmbH
Max-Eyth-Straße 10, 71364 Winnenden, Germany

RO DECLARAȚIE DE CONFORMITATE

Techtronic Industries GmbH
Max-Eyth-Straße 10, 71364 Winnenden, Germany

Prin prezenta, declarăm că produsul este

Compresor de aer, 18V
Marcă: RYOBI
Număr serie: R18AC
Gamă număr serie: 47507201000001 - 47507201999999

este în conformitate cu următoarele Directive Europene și standarde armonizate

2006/42/EC, 2014/30/EU, 2011/65/EU
EN 55014-1: 2017; EN 55014-2: 2015;
EN 1012-1: 2010; EN 60204-1: 2018

Documentația RoHS este întocmită în conformitate cu EN IEC 63000: 2018

Todd Chipner

Director Senior, Calitate Unelte Electrice și Siguranță & Reglementare Asia
Winnenden, Oct. 28, 2019

Autorizat să completeze fișa tehnică:

Alexander Krug, Director General
Techtronic Industries GmbH
Max-Eyth-Straße 10, 71364 Winnenden, Germany

CS PROHLÁŠENÍ O SHODĚ

Techtronic Industries GmbH
Max-Eyth-Straße 10, 71364 Winnenden, Germany

Tímto prohlašujeme, že výrobky

18V vzduchový kompresor
Značka: RYOBI
Číslo modelu: R18AC
Rozsah sériových čísel: 47507201000001 - 47507201999999

že tento výrobek je v souladu s evropskými a harmonizovanými standardy

2006/42/EC, 2014/30/EU, 2011/65/EU
EN 55014-1: 2017; EN 55014-2: 2015;
EN 1012-1: 2010; EN 60204-1: 2018

RoHS dokumentace sestavena dle EN IEC 63000: 2018

Todd Chipner

Vrchní ředitel, jakost elektrického nářadí (CPT) a předpisy a bezpečnost pro Asii
Winnenden, Oct. 28, 2019

Pověření ke kompilaci technického souboru:

Alexander Krug, Generální ředitel
Techtronic Industries GmbH
Max-Eyth-Straße 10, 71364 Winnenden, Germany

LV ATBILSTĪBAS DEKLARĀCIJA

Techtronic Industries GmbH
Max-Eyth-Straße 10, 71364 Winnenden, Germany

Ar šo paziņojam, ka produkti

18 V oro kompresorius
Zīmols: RYOBI
Modeļa numurs: R18AC
Sērijas numura intervāls: 47507201000001 - 47507201999999

atbilst šādām Eiropas direktīvām un saskaņotajiem standartiem

2006/42/EC, 2014/30/EU, 2011/65/EU
EN 55014-1: 2017; EN 55014-2: 2015;
EN 1012-1: 2010; EN 60204-1: 2018

RoHS dokumentācija ir izstrādāta saskaņā ar EN IEC 63000: 2018

Todd Chipner

Vecākais Direktors, CPT kvalitāte un Āzijas atbilstība un drošība
Winnenden, Oct. 28, 2019

Pilnvarots sastādīt tehnisko failu:

Alexander Krug, Izpildedzinātājs
Techtronic Industries GmbH
Max-Eyth-Straße 10, 71364 Winnenden, Germany

HU MEGFELELŐSÉGI NYILATKOZAT

Techtronic Industries GmbH
Max-Eyth-Straße 10, 71364 Winnenden, Germany

Ezúton kijelentjük, hogy a termék

18 V-os levegőkompresszor
Márka: RYOBI
Típuszám: R18AC
Sorozatszám tartomány: 47507201000001 - 47507201999999

megfelel az alábbi Európai Irányelvek és harmonizált szabványok vonatkozó rendelkezéseinek

2006/42/EC, 2014/30/EU, 2011/65/EU
EN 55014-1: 2017; EN 55014-2: 2015;
EN 1012-1: 2010; EN 60204-1: 2018

A RoHS dokumentáció összeállításra az EN IEC 63000: 2018 szerint történt

Todd Chipner

Senior igazgató, CPT minőség, ázsiai szabályozás és biztonság
Winnenden, Oct. 28, 2019

A műszaki dokumentáció összeállítására felhatalmazott:

Alexander Krug, Ügyvezető Igazgató
Techtronic Industries GmbH
Max-Eyth-Straße 10, 71364 Winnenden, Germany

LT ATITIKTIES PAREIŠKIMAS

Techtronic Industries GmbH
Max-Eyth-Straße 10, 71364 Winnenden, Germany

Mes pareiškiame, kad šie produktai

18 V oro kompresorius
Prekės ženklas: RYOBI
Modelio numeris: R18AC
Serijinio numerio diapazonas: 47507201000001 - 47507201999999

pagamintas laikantis toliau nurodytųjų Europos Direktyvų ir darniųjų standartų

2006/42/EC, 2014/30/EU, 2011/65/EU
EN 55014-1: 2017; EN 55014-2: 2015;
EN 1012-1: 2010; EN 60204-1: 2018

Tam tikrų pavojingų medžiagų naudojimo elektros ir elektroninės įrangos apri bojimo dokumentai sudaryti pagal standartą EN IEC 63000: 2018

Todd Chipner

Vyr. direktorius, BEJ kokybės ir reglamentavimo bei saugos Azijoje skyrius
Winnenden, Oct. 28, 2019

Igaliotas sudaryti techninį failą:

Alexander Krug, Generalinis Direktorius
Techtronic Industries GmbH
Max-Eyth-Straße 10, 71364 Winnenden, Germany



(ET) VASTAVUSDEKLARATSIOON

Techtronic Industries GmbH
Max-Eyth-Straße 10, 71364 Winnenden, Germany

Kinnitame, et see toode
18 V õhukompressor
Mark: RYOBI
Mudeli number: R18AC
Seeriainumbri vahemik: 47507201000001 - 47507201999999

vastab järgmistele Euroopa direktiividele ja harmoniseeritud standarditele
2006/42/EC, 2014/30/EU, 2011/65/EU
EN 55014-1-1: 2017; EN 55014-2: 2015;
EN 1012-1: 2010; EN 60204-1: 2018

RoHS dokumentid on koostatud vastavuses standardi EN IEC 63000: 2018 nõuetele.




Todd Chipner
Vanemdirektor, mootorõõristade kvaliteet ning Aasia järelevalve ja ohutus
Winnenden, Oct. 28, 2019

Tehnilise faili koostamiseks volitatud isik:
Alexander Krug, Tegevdirektor
Techtronic Industries GmbH
Max-Eyth-Straße 10, 71364 Winnenden, Germany

(SK) PREHLÁSENIE O ZHODE

Techtronic Industries GmbH
Max-Eyth-Straße 10, 71364 Winnenden, Germany

Týmto vyhlasujeme, že výrobok
18-voltový vzduchový kompresor
Značka: RYOBI
Číslo modelu: R18AC
Rozsah sériových čísiel: 47507201000001 - 47507201999999

je v súlade s nasledujúcimi Európskymi smernicami a harmonizovanými normami
2006/42/EC, 2014/30/EU, 2011/65/EU
EN 55014-1-1: 2017; EN 55014-2: 2015;
EN 1012-1: 2010; EN 60204-1: 2018

Dokumentácia RoHS je zostavená podľa EN IEC 63000: 2018




Todd Chipner
vyšší riaditeľ, kvalita spotrebiteľského elektrického náradia, regulačné záležitosti pre Áziu a bezpečnosť
Winnenden, Oct. 28, 2019

Oprávnená osoba na zostavenie technického súboru:
Alexander Krug, Generálny Riaditeľ
Techtronic Industries GmbH
Max-Eyth-Straße 10, 71364 Winnenden, Germany

(HR) IZJAVA O USKLADENOSTI

Techtronic Industries GmbH
Max-Eyth-Straße 10, 71364 Winnenden, Germany

Ovime izjavljujemo da su proizvodi
Zračni kompresor od 18 V
Marka: RYOBI
Broj modela: R18AC
Raspon serijskog broja: 47507201000001 - 47507201999999

usklađen sa sledećim Europskim Direktivama i usklađenim normama
2006/42/EC, 2014/30/EU, 2011/65/EU
EN 55014-1-1: 2017; EN 55014-2: 2015;
EN 1012-1: 2010; EN 60204-1: 2018

RoHS dokumentacija sukladna je EN IEC 63000: 2018




Todd Chipner
Viši direktor, Odjel za upravljanje kvalitetom CPT alata, regulative i sigurnosti za područje Azije
Winnenden, Oct. 28, 2019

Ovlašten da sastavi tehničku datoteku:
Alexander Krug, Direktor Upravljanja
Techtronic Industries GmbH
Max-Eyth-Straße 10, 71364 Winnenden, Germany

(BG) ДЕКЛАРАЦИЯ НА ЗА СЪОТВЕТСТВИЕ

Techtronic Industries GmbH
Max-Eyth-Straße 10, 71364 Winnenden, Germany

С настоящето декларираме, че продуктите
Въздушен компресор, 18V
Марка: RYOBI
Номер на модела: R18AC
Обхват на серийни номера: 47507201000001 - 47507201999999

отговаря на следните директиви на ЕС и хармонизирани стандарти
2006/42/EC, 2014/30/EU, 2011/65/EU
EN 55014-1-1: 2017; EN 55014-2: 2015;
EN 1012-1: 2010; EN 60204-1: 2018

Документацията за RoHS е съставена в съответствие с EN IEC 63000: 2018.




Todd Chipner
Главен директор, Качество на CPT и нормативно съответствие и безопасност за Азия
Winnenden, Oct. 28, 2019

Упълномощено лице за съставяне на техническия файл:
Alexander Krug, Изпълнителен Директор
Techtronic Industries GmbH
Max-Eyth-Straße 10, 71364 Winnenden, Germany

(SL) IZJAVA O SKLADNOSTI

Techtronic Industries GmbH
Max-Eyth-Straße 10, 71364 Winnenden, Germany

Izjavljamo, da je izdelek
Zračni kompresor 18 V
Znamka: RYOBI
Številka modela: R18AC
Razpon serijskih števil: 47507201000001 - 47507201999999

v skladu s sledećimi evropskimi direktivami in harmoniziranimi standardi
2006/42/EC, 2014/30/EU, 2011/65/EU
EN 55014-1-1: 2017; EN 55014-2: 2015;
EN 1012-1: 2010; EN 60204-1: 2018

Dokumentacija RoHS je sestavljena skladno s standardom EN IEC 63000: 2018




Todd Chipner
Višji direktor, oddelek za kakovost potrošniškega električnega orodja ter regulativo in varnost za Azijo
Winnenden, Oct. 28, 2019

Pooblaščen oseba za sestavo tehnične dokumentacije:
Alexander Krug, Izvršni Direktor
Techtronic Industries GmbH
Max-Eyth-Straße 10, 71364 Winnenden, Germany

(UK) ДЕКЛАРАЦИЯ ПРО ВІДПОВІДНІСТЬ

Techtronic Industries GmbH
Max-Eyth-Straße 10, 71364 Winnenden, Germany

При цьому ми заявляємо, що продукт
18 В пневматичний компресор
Марка: RYOBI
Номер моделі: R18AC
Діапазон серійного номеру: 47507201000001 - 47507201999999

у відповідності з наступними європейськими директивами та гармонізованими стандартами
2006/42/EC, 2014/30/EU, 2011/65/EU
EN 55014-1-1: 2017; EN 55014-2: 2015;
EN 1012-1: 2010; EN 60204-1: 2018

Документація RoHS складена відповідно до EN IEC 63000: 2018




Todd Chipner
Ген. директор з питань якості CPT, і регулювання охорони праці та техніки безпеки в Азії
Winnenden, Oct. 28, 2019

Дозвіл на складання технічного файлу:
Alexander Krug, Керуючий директор
Techtronic Industries GmbH
Max-Eyth-Straße 10, 71364 Winnenden, Germany

**(TR) UYGUNLUK BEYANI**

Techtronic Industries GmbH
Max-Eyth-Straße 10, 71364 Winnenden, Germany

Böylelikle beyan ederiz ki; ürün
18V Hava kompresörü
Marka: RYOBI
Model numarası: R18AC
Seri numarası aralığı: 47507201000001 - 47507201999999

aşağıdaki Avrupa Direktifleri ve uyumlaştırılmış standartlara uygundur
2006/42/EC, 2014/30/EU, 2011/65/EU
EN 55014-1: 2017; EN 55014-2: 2015;
EN 1012-1: 2010; EN 60204-1: 2018

RoHS belgeleri EN IEC 63000: 2018 uyarınca derlenmiştir

Todd Chipner
Kıdemli Direktör, CPT Kalitesi ve Asya Düzenleme ve Güvenlik
Winnenden, Oct. 28, 2019

Teknik dosya hazırlamaya yetkilidir:
Alexander Krug, Genel Müdür
Techtronic Industries GmbH
Max-Eyth-Straße 10, 71364 Winnenden, Germany

**(EL) ΔΗΛΩΣΗ ΣΥΜΜΟΡΦΩΣΗΣ**

Techtronic Industries GmbH
Max-Eyth-Straße 10, 71364 Winnenden, Germany

Δια του παρόντος δηλώνουμε ότι το προϊόν
Αεροσυμπιεστής 18 V
Μάρκα: RYOBI
Αριθμός μοντέλου: R18AC
Εύρος σειριακών αριθμών: 47507201000001 - 47507201999999

είναι σύμφωνο με τις παρακάτω Ευρωπαϊκές Οδηγίες και εναρμονισμένα πρότυπα
2006/42/EC, 2014/30/EU, 2011/65/EU
EN 55014-1: 2017; EN 55014-2: 2015;
EN 1012-1: 2010; EN 60204-1: 2018

Τα έγγραφα RoHS συντάσσονται σύμφωνα με το EN IEC 63000: 2018

Todd Chipner
Ανώτερος Διευθυντής, Υπεύθυνος CPT Ασίας για Ποιότητα & Ασφάλεια
Winnenden, Oct. 28, 2019

Εξουσιοδοτημένο άτομο για σύνταξη τεχνικού αρχείου:
Alexander Krug, Διευθύνων Σύμβουλος
Techtronic Industries GmbH
Max-Eyth-Straße 10, 71364 Winnenden, Germany



- EN** RYOBI is a trademark of Ryobi Limited, and is used under license.
FR RYOBI est une marque déposée de Ryobi Limited, et est utilisée sous licence.
DE RYOBI ist ein Markenzeichen von Ryobi Limited und wird in Lizenz verwendet.
ES RYOBI es una marca registrada de Ryobi Limited, y se utiliza bajo licencia.
IT L'utilizzo del marchio registrato RYOBI è legato alla licenza concessa da Ryobi Limited.
NL RYOBI is een handelsmerk van Ryobi Limited en wordt onder licentie gebruikt.
PT RYOBI é uma marca comercial de Ryobi Limited, e é utilizada sob licença.
DA RYOBI er et varemærke tilhørende Ryobi Limited og bruges under licens.
SV RYOBI är en del av varumärke Ryobi Limited och dess användning är licensierad.
FI RYOBI on Ryobi Limitedin omistama tavaramerkki, ja sitä käytetään lisenssin puitteissa.
NO RYOBI er et varemærke for Ryobi Limited, og brukes under lisens.
RU RYOBI является товарным знаком компании Ryobi Limited, используемым по лицензиям.
PL RYOBI to znak towarowy firmy Ryobi Limited i jest używany zgodnie z udzieloną licencją.
CS RYOBI je ochranná známka společnosti Ryobi Limited a její používání podléhá licenci.
HU A RYOBI a Ryobi Limited védjegye, használatát licenc keretében történik.
RO RYOBI este o marcă comercială a firmei Ryobi Limited și este utilizată sub licență.
LV RYOBI ir Ryobi Limited preču zīme un tiek izmantota saskaņā ar licenci.
LT „RYOBI” yra „Ryobi Limited” prekės ženklas, naudojamas pagal licenciją.
ET RYOBI on ettevõtte Ryobi Limited kaubamärk, mida kasutatakse litsentsi alusel.
HR RYOBI je žig tvrtke Ryobi Limited i koristi se po licenci.
SL RYOBI je blagovna znamka družbe Ryobi Limited in se uporablja na podlagi dovoljenja.
SK RYOBI je ochranná známka spoločnosti Ryobi Limited a používa sa na základe licencie.
BG RYOBI е търговска марка на Ryobi Limited и се използва под лиценз.
UK RYOBI є товарним знаком Ryobi Limited, і використовується за ліцензією.
TR RYOBI, Ryobi Limited şirketine ait olup, lisans altında kullanılan bir ticari markadır.
EL Το RYOBI αποτελεί εμπορικό σήμα της Ryobi Limited και χρησιμοποιείται μετά από χορήγηση άδειας.





Techtronic Industries GmbH
Max-Eyth-Straße 10,
71364 Winnenden, Germany

20190919v1