



TECHNICAL SPECIFICATION

PDT-000026

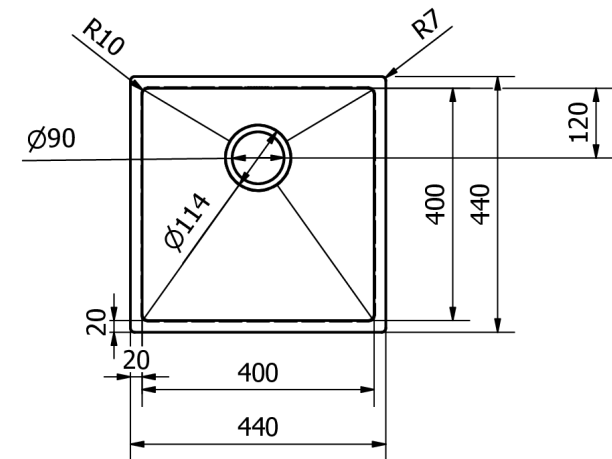
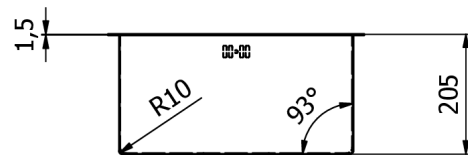
Elite Single Bowl Inset or Undermounted Stainless Steel Kitchen Sink & Waste
- Over Size: 440x440x205mm - Gold Finish

General Information

Standards 1	n/a
Construction Material	S/S 304
Installation type	Inset or Undermounted
Colour / Finish	Brushed Gold
Certification	No
WRAS No:	n/a

Specification

Material Thickness	1.5mm
Number of Bowls:	1
Bowl	Single
Suitable for a waste disposer	Yes
Antibacterial Coating	Yes
Scratch Resistant	Yes
Wastes and overflows included	Yes
Tap Hole provided	No
Minimum Cabinet Size:	460mm
Main Bowl Capacity	32L Approx.
Heat Resistance	200°C
Waste Size	90mm
Bowl Shape	Square
Surface treatment	Brushed
Finish	Brushed Satin
Height (mm)	205
Width (mm)	440
Length / Depth (mm)	440
SKU CAT No:	3
Category	Kitchens
Sub Category	Kitchen Sinks
Product Weight (KG)	6
Carton Quantity (Pcs)	1
EAN:	5010000026004



T: 01724 847397 or E: SALES@ELLSI.CO.UK

Check out our full range of Kitchen Products

Kitchen Sinks

Stainless Steel Kitchen Sinks

Granite Composite Kitchen Sinks

Glass Kitchen Sinks

Ceramic Kitchen Sinks

Franke Kitchen Sinks

Kitchen Taps

Contemporary Kitchen Taps

Traditional Kitchen Taps

Franke Kitchen Taps

Pull out Rinser Kitchen Taps

Instant Boiling Water Taps

Insinkerator Waste Disposal Units

plumbworld
Big brands, small prices.