



TECHNICAL SPECIFICATION

PDT-000027

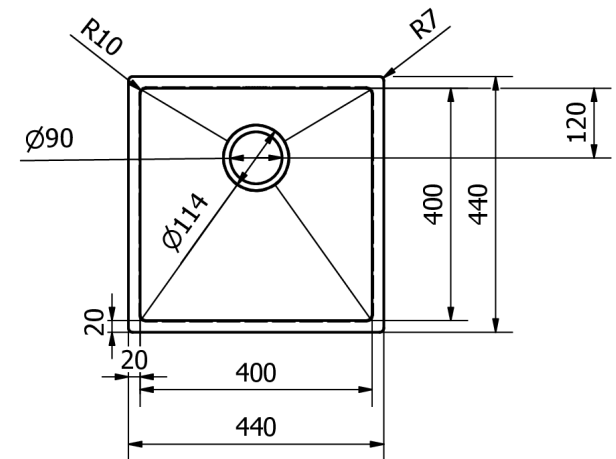
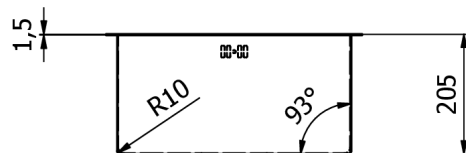
Elite Single Bowl Inset or Undermounted Stainless Steel Kitchen Sink & Waste
- Over Size: 440x440x205mm - Copper Finish

General Information

| | |
|-----------------------|-----------------------|
| Standards 1 | n/a |
| Construction Material | S/S 304 |
| Installation type | Inset or Undermounted |
| Colour / Finish | Brushed Copper |
| Certification | No |
| WRAS No: | n/a |

Specification

| | |
|-------------------------------|---------------|
| Material Thickness | 1.5mm |
| Number of Bowls: | 1 |
| Bowl | Single |
| Suitable for a waste disposer | Yes |
| Antibacterial Coating | Yes |
| Scratch Resistant | Yes |
| Wastes and overflows included | Yes |
| Tap Hole provided | No |
| Minimum Cabinet Size: | 460mm |
| Main Bowl Capacity | 32L Approx. |
| Heat Resistance | 200°C |
| Waste Size | 90mm |
| Bowl Shape | Square |
| Surface treatment | Brushed |
| Finish | Brushed Satin |
| Height (mm) | 205 |
| Width (mm) | 440 |
| Length / Depth (mm) | 440 |
| SKU CAT No: | 3 |
| Category | Kitchens |
| Sub Category | Kitchen Sinks |
| Product Weight (KG) | 6 |
| Carton Quantity (Pcs) | 1 |
| EAN: | 5010000027001 |



T: 01724 847397 or E: SALES@ELLSI.CO.UK

Check out our full range of Kitchen Products

Kitchen Sinks

Stainless Steel Kitchen Sinks

Granite Composite Kitchen Sinks

Glass Kitchen Sinks

Ceramic Kitchen Sinks

Franke Kitchen Sinks

Kitchen Taps

Contemporary Kitchen Taps

Traditional Kitchen Taps

Franke Kitchen Taps

Pull out Rinser Kitchen Taps

Instant Boiling Water Taps

Insinkerator Waste Disposal Units

plumbworld
Big brands, small prices.