



INSTALLATION FOR UNDERMOUNTED SINK

Please carefully read complete instructions before beginning installation. these instructions are for installation with solid surface, composite material countertops. we recommend professional countertop installers and is not responsible for damage to the countertop or sink during installation

1. Unpack the new sink and check the contents of the materials supplied: Sink, Mounting Brackets ,strainer and Cutout template (depending on model).

2. Supplied cutout template provides follow options of installation: A. Flush mount: Sink edge is flush with counter-top opening.(FIGURE 1)

3.Cut out the appropriate template for your sink model and desired installation option. Place template in desired position on counter-top , locating center of the bowl over cabinet and faucet holes .

4.Trace the outline of the template and cut counter-top according to templated outline suing appropriate cutting tools. Template is for guide only. Use physical sink to ensure accurate cutout opening .(FIGURE 2)

5.Locate the drill holes on the underside of the counter-top, approximately 1"from edge of the sink to be installed. Holes should be evenly spaced approximately 6" to 8"apart starting from every corner as shown in(FIGURE 3). It is recommended to install a faucet at this point before installing the sink.

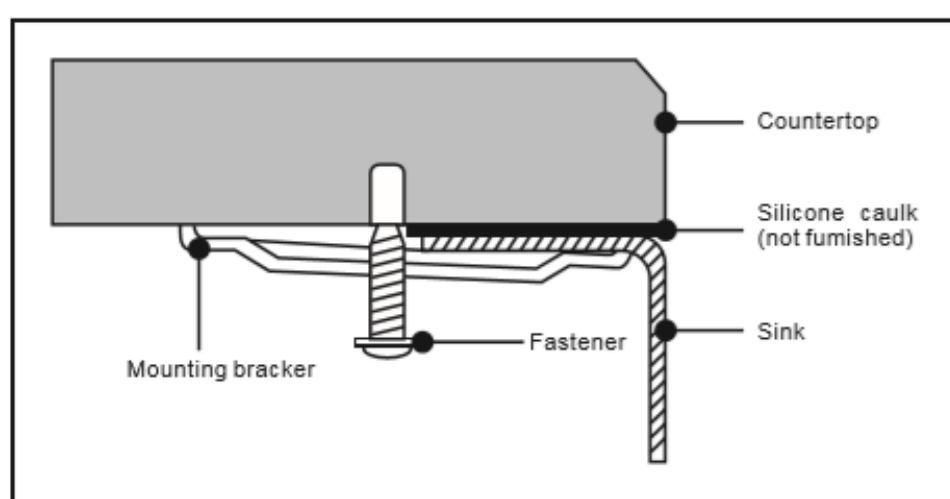


FIGURE 1

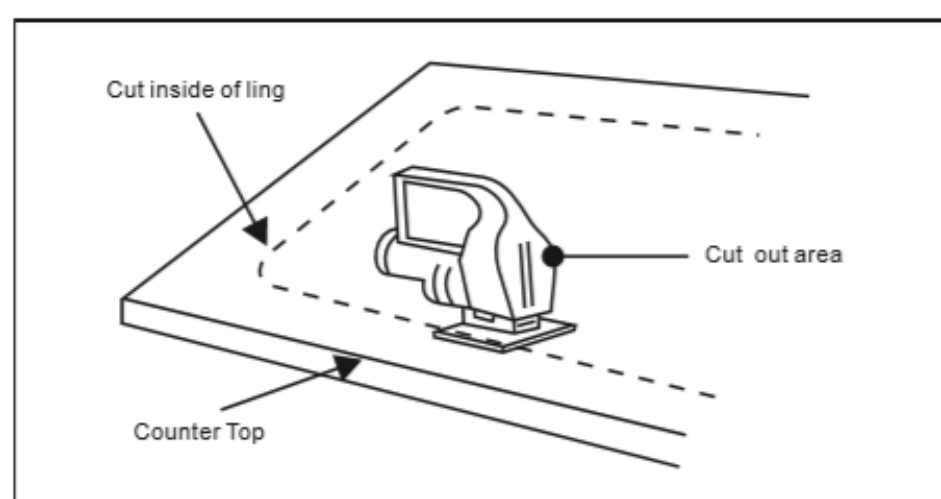


FIGURE 2

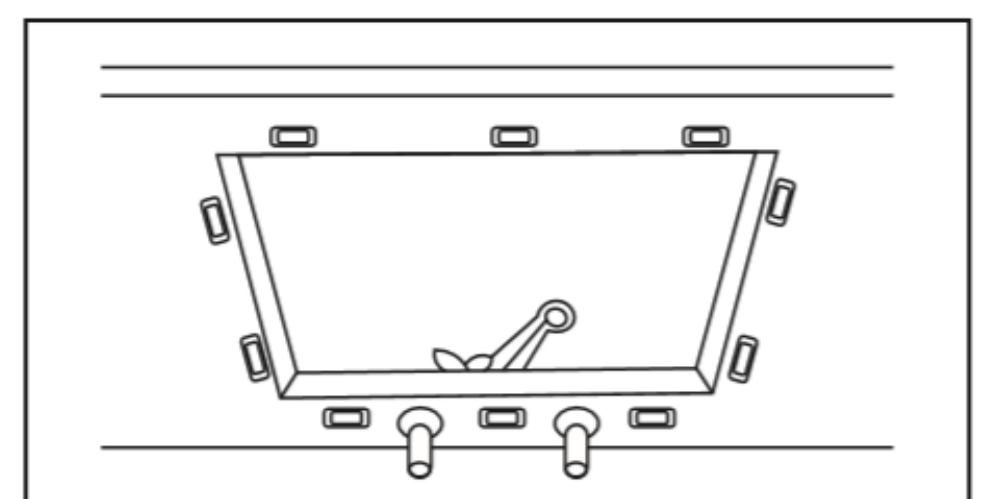


FIGURE 3

6. Loosely attach mounting brackets to the countertop, parallel to the cutout opening using the supplied mounting screws and nuts. Mounting screws with brass inserts with brass inserts are supplied with the sink, however, countertop material vary and the correct type of fasteners should be recommended by your installer or supplier.

7. Clean sink flange and underside of cutout area of countertop, making sure that the area is smooth and free of grease. Apply continuous bead of silicone caulk evenly on top of sink flange. (FIGURE 4)

8. Position and align sink over the countertop opening and press sink onto countertop. Turn bent end of mounting bracket to snug over the sink rim. (FIGURE 5)

9. Check alignment of sink again and tighten fasteners to secure sink.

10. Wipe away excess silicone caulk with damp cloth. Connect drain and water supply according to manufacturer's instruction. (FIGURE 6)

1. Bucket 2. Metal Strainer 3. Screw 4. Rubber seal 5. Rubber gasket 6. Main body

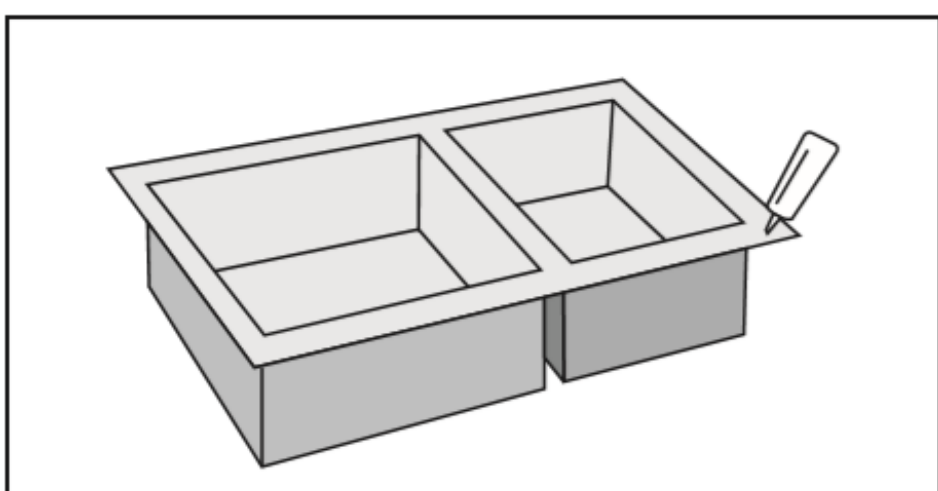


FIGURE 4

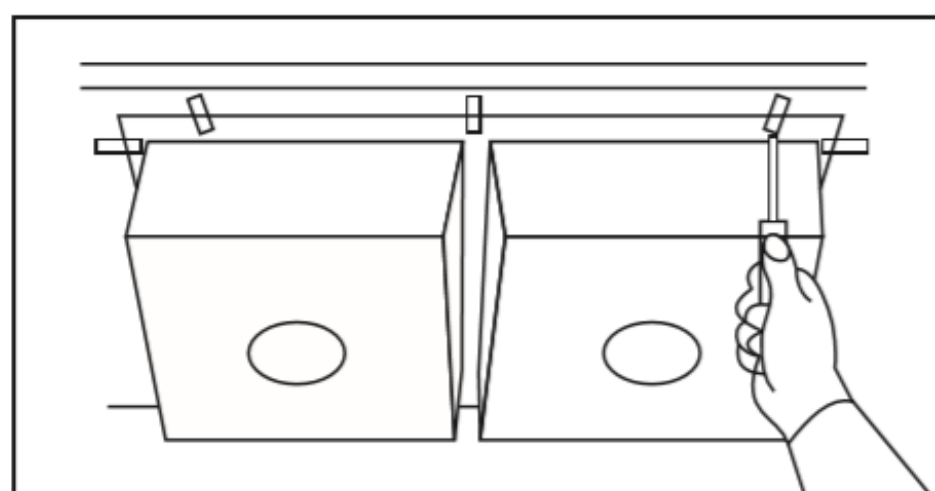


FIGURE 5

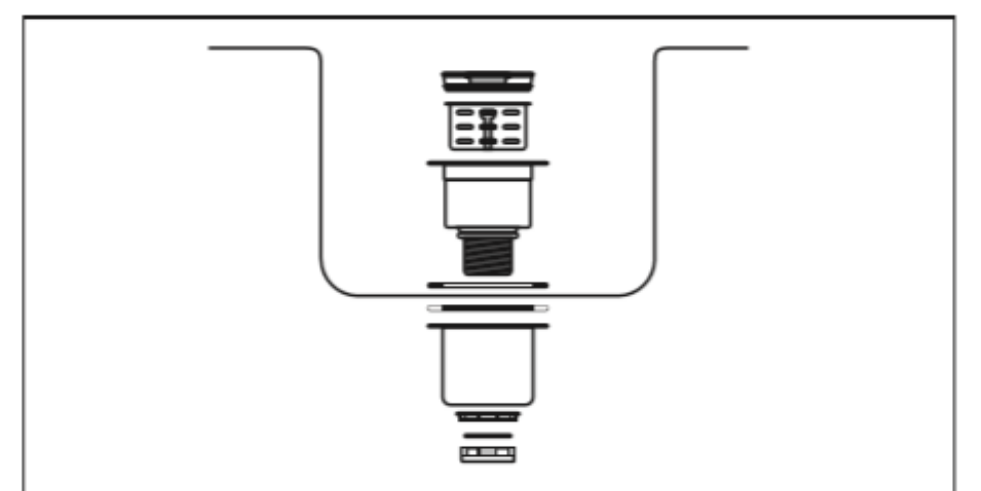


FIGURE 6

Check out our full range of Kitchen Products

Kitchen Sinks

Stainless Steel Kitchen Sinks

Granite Composite Kitchen Sinks

Glass Kitchen Sinks

Ceramic Kitchen Sinks

Franke Kitchen Sinks

Kitchen Taps

Contemporary Kitchen Taps

Traditional Kitchen Taps

Franke Kitchen Taps

Pull out Rinser Kitchen Taps

Instant Boiling Water Taps

Insinkerator Waste Disposal Units

plumbworld
Big brands, small prices.