

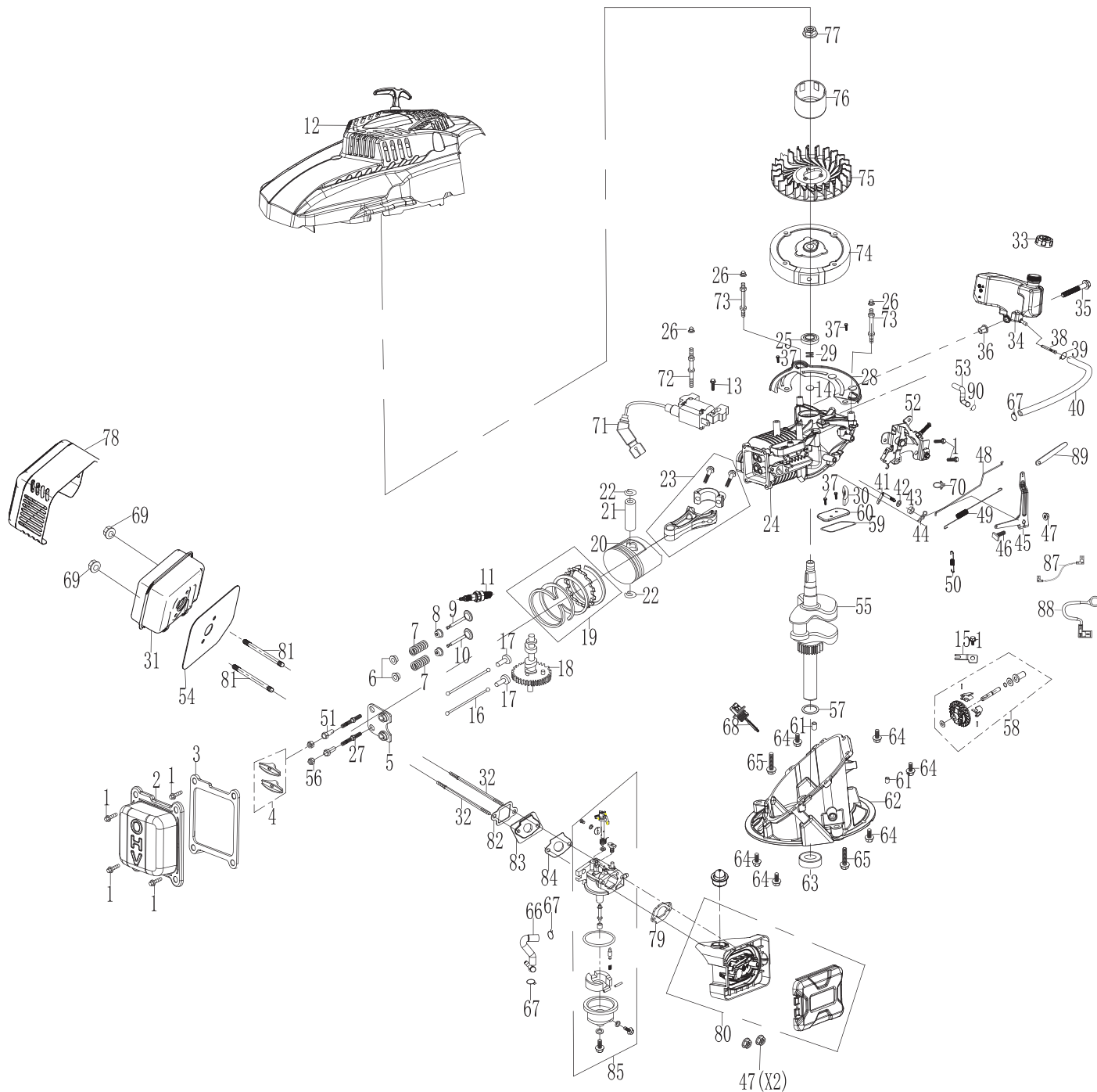
# DRAPER®

PETROL

# CULTIVATOR/ TILLER



04604 - CP165 SPARE PARTS DRAWING/LISTING



KEY No.	PART No.	STOCK No.	DESCRIPTION
1	YCP165-01	69388	BOLT M6X12
2	YCP165-02	69407	CYLINDER HEAD COVER COMPLETE
3	YCP165-03	69417	PACKING HEADCOVER
4	YCP165-04	69588	ROCKER ARM
5	YCP165-05	69701	PUSH ROD GUIDE PLATE

KEY No.	PART No.	STOCK No.	DESCRIPTION
6	YCP165-06	69773	VALVE SPRING INLET SEAT
7	YCP165-07	69951	VALVE SPRING
8	YCP165-08	69975	INTAKE VALVE RETURNER
9	YCP165-09	69977	INTAKE VALVE
10	YCP165-10	69981	EXHAUST VALVE

Helpline: +44 (0) 23 8049 4344 Sales Desk: +44 (0) 23 8049 4333 General Enquiries: +44 (0) 23 8026 6355 internet: drapertools.com email: sales@drapertools.com

Draper Tools Limited, Hursley Road, Chandler's Ford, Eastleigh, Hampshire. SO53 1YF UK.

KCMC1018



PETROL

# CULTIVATOR/ TILLER



## 04604 - CP165 SPARE PARTS LISTING

KEY No.	PART No.	STOCK No.	DESCRIPTION
11	YCP145-18	43413	SPARK PLUG
12	YCP165-12	70006	RECOIL COVER
13	YCP165-13	70007	BOLT M6X25
14	YCP165-14	70010	CIRCULAR PLATE
15	YCP165-15	70020	GOVERNOR PLATE
16	YCP165-16	70063	PUSH ROD
17	YCP165-17	70096	VALVE LIFTER
18	YCP165-18	70193	CAMSHAFT ASSEMBLY
19	YCP165-19	70244	PISTON SCRAPER RING SET
20	YCP165-20	70293	PISTON
21	YCP165-21	70421	PISTON PIN
22	YCP165-22	70558	PISTON CLIP
23	YCP165-23	70578	CONNECTING ROD ASSEMBLY
24	YCP165-24	70579	CYLINDER
25	YCP165-25	70624	OIL SEAL
26	YCP165-26	70625	FLANGE NUT
27	YCP165-27	70640	ROCKER ARM ADJUSTER
28	YCP165-28	70642	SHROUD
29	YCP165-29	70644	BREATHER VALVE SPRING
30	YCP165-30	70645	BREATHER FILTER
31	YCP165-31	70646	MUFFLER ASSEMBLY
32	YCP165-32	70647	STUD BOLT
33	YCP165-33	70648	FUEL TANK CAP COMPLETE
34	YCP165-34	70649	FUEL TANK
35	YCP165-35	70742	BOLT M6X38
36	YCP165-36	70743	FUEL TANK BUSHING
37	YCP165-37	70754	BOLT M6X16
38	YCP165-38	70755	FILTER
39	YCP165-39	42612	FUEL LINE CLIP
40	YCP165-40	70756	FUEL LINE
41	YCP165-41	70797	GOVERNOR ARM SHAFT
42	YCP165-42	70825	GOVERNOR ARM SHAFT WASHER
43	YCP165-43	70852	GOVERNOR ARM SHAFT SEAL
44	YCP165-44	70853	LOCK PIN
45	YCP165-45	70897	GOVERNOR ARM
46	YCP165-46	70918	GOVERNOR ARM BOLT
47	YCP165-47	70964	HEX FLANGE BOLT
48	YCP165-48	70983	GOVERNOR ROD
49	YCP165-49	70984	THROTTLE RETURN SPRING
50	YCP165-50	71074	GOVERNOR SPRING
51	YCP165-51	71076	NUT

KEY No.	PART No.	STOCK No.	DESCRIPTION
52	YCP165-52	71096	UPPER SHROUD ASSEMBLY
53	YCP165-53	71098	BREATHER TUBE
54	YCP165-54	71099	EXHAUST GASKET
55	YCP165-55	71100	CRANKSHAFT ASSEMBLY
56	YCP165-56	71102	NUT
57	YCP165-57	71103	CRANKSHAFT WASHER
58	YCP165-58	71104	GOVERNOR ASSEMBLY
59	YCP165-59	71109	BREATHER CHAMBER GASKET
60	YCP165-60	71112	BREATHER CHAMBER CAP
61	YCP165-61	71115	CASECOVER DOWEL PIN
62	YCP165-62	71117	CRANKCASE COVER ASSEMBLY
63	YCP165-63	71125	OIL SEAL
64	YCP165-64	71126	BOLT M6X18
65	YCP165-65	71127	BOLT M6X45
66	YCP165-66	71132	TUBE
67	YCP165-67	71133	FUEL LINE CLIP
68	YCP165-68	71147	DIPSTICK
69	YCP165-69	71159	NUT M6
70	YCP165-70	71164	WIRE HARNESS CLIP
71	YCP165-71	71222	IGNITION COIL ASSEMBLY
72	YCP165-72	71223	IGNITION COIL BOLT STUD
73	YCP165-73	71246	RECOIL STARTER BOLT STUD
74	YCP165-74	71282	FLYWHEEL ASSEMBLY
75	YCP165-75	71357	RECOIL STARTER FAN
76	YCP165-76	71358	STARTER PULLEY
77	YCP165-77	71375	NUT M4
78	YCP165-78	71585	MUFFLER SHIELD
79	YCP165-79	71595	AIR CLEANER GASKET
80	YCP165-80	71730	AIR CLEANER ASSEMBLY
81	YCP165-81	71921	STUD BOLT
82	YCP165-82	71922	INTAKE PACKING
83	YCP165-83	71943	CARBURETTOR INSULATOR
84	YCP165-84	72025	CARBURETTOR PACKING
85	YCP165-85	72043	CARBURETTOR ASSEMBLY
86	YCP165-86	72044	FUEL LINE CLIP
87	YCP165-87	72127	FLAMEOUT WIRE
88	YCP165-88	77128	FLAMEOUT WIRE
89	YCP165-89	72386	WIRE HARNESS CLIP
90	YCP165-90	72430	FUEL HOSE
42	YPJ30HL-42	66817	Locking ring

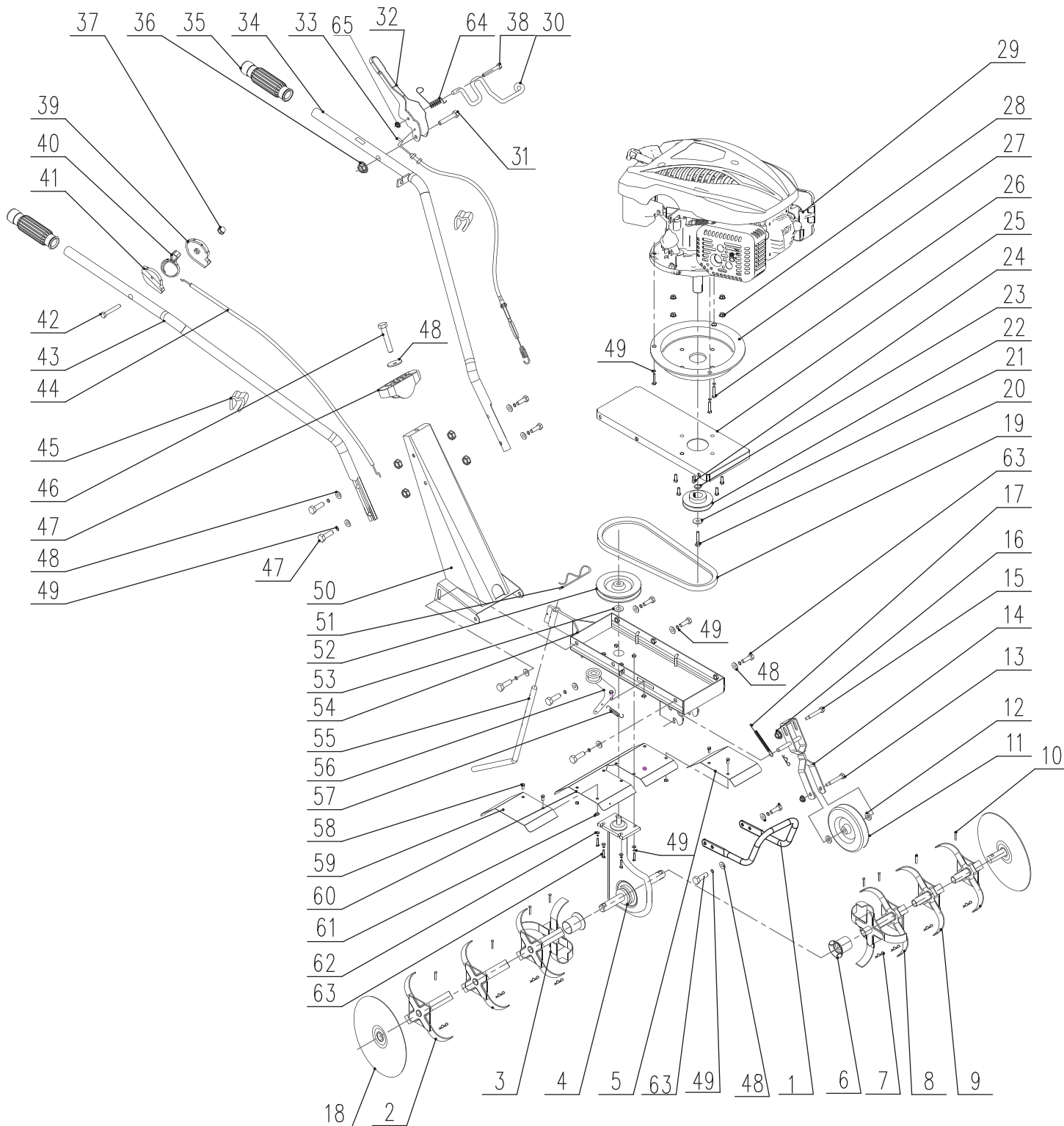
**DRAPER**<sup>®</sup>

PETROL

# CULTIVATOR/ TILLER



04604 - CP165 SPARE PARTS DRAWING





PETROL

# CULTIVATOR/ TILLER



## 04604 - CP165 SPARE PARTS LISTING

KEY No.	PART No.	STOCK No.	DESCRIPTION
1	YCP165-91	72431	HANDLE
2	YCP165-92	72432	RIGHT OUTER TINE
3	YCP165-93	72457	RIGHT INNER TINE
4	YCP165-94	72812	GEAR BOX
5	YCP165-95	72825	LEFT FENDER
6	YCP165-96	72923	PLUGGING COVER
7	YCP165-97	72939	CIRCLIP
8	YCP165-98	72956	LEFT INNER TINE
9	YCP165-99	72983	LEFT OUTER TINE
10	YCP165-100	72992	CLEVIS PIN WITH HEAD 8X35
11	YCP165-101	73002	FRONT WHEEL
12	YCP165-102	73068	NYLON WASHER
13	YCP165-103	73258	BOLT
14	YCP165-104	73267	WHEEL FIXING
15	YCP165-105	73303	BOLT GB5782 M10X65
16	YCP165-106	73367	NUT GB6182 M10
17	YCP165-107	73405	SPRING
18	YCP165-108	73425	ROUND KNIFE PLATE
19	YCP165-109	73517	BELT VZ610
20	YCP165-110	73518	BOLT BS17689 1/2UNF X 30
21	YCP165-111	73529	WASHER GB96 10.5X30X2
22	YCP165-112	73709	INITIATIVE PULLEY
23	YCP165-113	73710	WASHER GB97 10 DIAM
24	YCP165-114	73719	FLAT KEY 4.75X5.5X30
25	YCP165-115	73725	BELT
26	YCP165-116	73737	BOLT M8X30
27	YCP165-117	73739	ENGINE FIXING
28	YCP165-118	73749	NUT M8
30	YCP165-120	73964	CLUTCH SPRING
31	YCP165-121	74049	BOLT M8X40
32	YCP165-122	74315	CLUTCH HANDLE
33	YCP165-123	74338	CLUTCH CABLE
34	YCP165-124	74350	LEFT HANDLE
35	YCP165-125	74386	HANDLE COVER
36	YCP165-126	74417	NUT M8
37	YCP165-127	74424	NUT M6
38	YCP165-128	74426	BOLT M5X35
39	YCP165-129	74615	THROTTLE SWITCH COVER (L)
40	YCP165-130	74617	THROTTLE SWITCH HANDLE
41	YCP165-131	74843	THROTTLE SWITCH COVER ( R )
42	YCP165-132	75038	BOLT M6X44

KEY No.	PART No.	STOCK No.	DESCRIPTION
43	YCP165-133	75072	RIGHT HANDRAIL
44	YCP165-134	75099	THROTTLE CABLE
45	YCP165-135	75117	CLIP
46	YCP165-136	75118	BOLT M8X16
47	YCP165-137	75119	HANDRAILS CLIP
48	YCP165-138	75120	WASHER GB96 8.4X24X2
49	YCP165-139	75171	WASHER GB93 8.1X2.1
50	YCP165-140	75228	HANDLE STENT
51	YCP165-141	75229	CIRCLIP
52	YCP165-142	75239	DRIVEN PULLEY
53	YCP165-143	75240	WASHER 13.2X24X1.5
54	YCP165-144	75253	GEARBOX STENT
55	YCP165-145	75254	RESISTANCE POLE
56	YCP165-146	75255	TENSION PULLEY
57	YCP165-147	75257	SPRING
58	YCP165-148	75258	BOLT M6X16
59	YCP165-149	75259	RIGHT FENDER
60	YCP165-150	75261	FENDER
61	YCP165-151	75262	NUT M6
62	YCP165-152	75263	WASHER 8
63	YCP165-153	75264	BOLT 8X25
64	YCP165-154	75266	CLUTCH SPRING
65	YCP165-155	75267	NUT M5