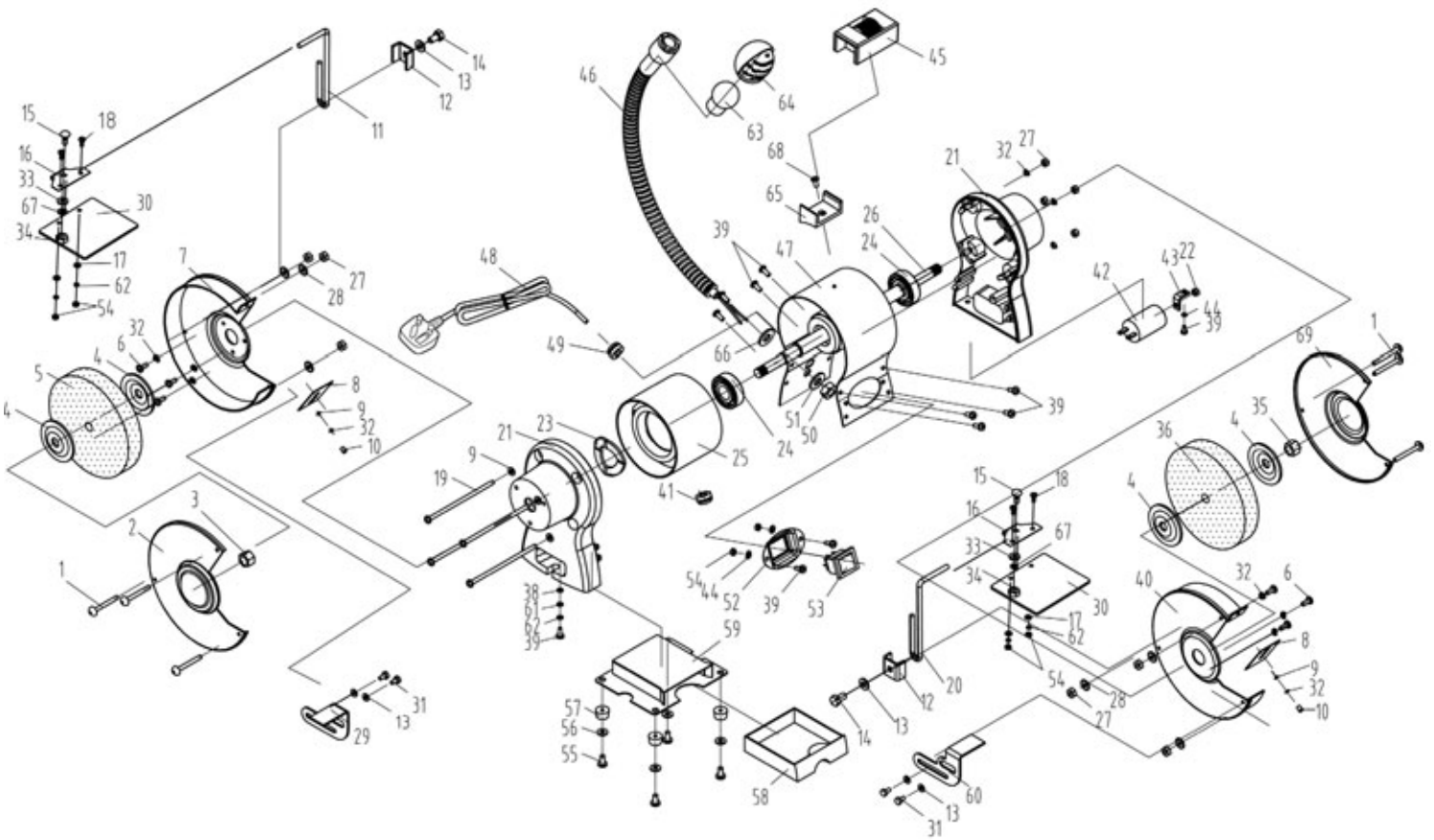


# DRAPER®

## SPARE PARTS LISTING & DRAWING SHEET FOR 150mm 350W Bench Grinder with Worklight

Stock No.05095

Part No.GD625L



KEY No.	PART No.	STOCK No.	DESCRIPTION
1	YGD625L-1	05257	Screw.
2	YGD625L-2	05258	Left hand wheel cover.
3	YGD625L-3	05259	Nut.
4	YGD625L-4	05261	Wheel clamp flange.
5	AG150	09506	Grinding wheel – coarse.
6	YGD625L-6	05262	Screw.
7	YGD625L-7	05263	Left guard.
8	YGD625L-8	05264	Spark deflector.
9	YGD625L-9	05265	Washer.
10	YGD625L-10	05266	Screw.

KEY No.	PART No.	STOCK No.	DESCRIPTION
11	YGD625L-11	05267	Left eyeshield rod.
12	YGD625L-12	05268	Bracket.
13	YGD625L-13	05269	Washer.
14	YGD625L-14	05270	Bolt.
15	YGD625L-15	05271	Bolt.
16	YGD625L-16	05272	Plate.
17	YGD625L-17	05273	Washer.
18	YGD625L-18	05274	Screw.
19	YGD625L-19	05275	Screw.
20	YGD625L-20	05276	Right eyeshield holder.

**Helpline:** (023) 8049 4344. **Sales Desk:** (023) 8049 4333. **General Enquiries:** (023) 8026 6355.

DRAPER TOOLS LTD, HURSLEY ROAD, CHANDLER'S FORD, EASTLEIGH, HANTS. SO53 1YF. U.K. internet: [www.draper.co.uk](http://www.draper.co.uk) e-mail: [sales@drapertools.com](mailto:sales@drapertools.com)

DKCH020311

**DRAPER**<sup>®</sup>

SPARE PARTS LISTING SHEET FOR

# 150mm 350W Bench Grinder with Worklight

Stock No.05095

Part No.GD625L

KEY No.	PART No.	STOCK No.	DESCRIPTION
21	YGD625L-21	05277	End bell.
22	YGD625L-22	05279	Nut.
23	YGD625L-23	05280	Wave spring washer.
24	YGD625L-24	05281	Bearing.
25	YGD625L-25	05282	Stator.
26	YGD625L-26	05283	Rotor.
27	YGD625L-27	05284	Nut.
28	YGD625L-28	05285	Toothed lock washer.
29	YGD625L-29	05287	Left tool rest.
30	YGD625L-30	05288	Eyeshield.
31	YGD625L-31	05289	Bolt.
32	YGD625L-32	05290	Washer.
33	YGD625L-33	05291	Washer.
34	YGD625L-34	05292	Nut.
35	YGD625L-35	05293	Nut.
36	AG150	09505	Grinding wheel – fine.
38	YGD625L-38	05294	Washer.
39	YGD625L-39	05295	Screw.
40	YGD625L-40	05296	Right safe guard.
41	YGD625L-41	05297	Power cable bush.
42	YGD625L-42	05298	Capacitor.
43	YGD625L-43	05299	Capacitor support.
44	YGD625L-44	05300	Washer.
45	YGD625L-45	05302	Wheel dressing tool.

KEY No.	PART No.	STOCK No.	DESCRIPTION
46	YGD625L-46	05303	Lamp pipe.
47	YGD625L-47	05304	Motor housing.
48	YGD625L-48	05305	Plug and cable.
49	YGD625L-49	05306	Cable clamp.
50	YGD625L-50	05307	Nut.
51	YGD625L-51	05308	Washer.
52	YGD625L-52	05309	Switch plate.
53	YGD625L-53	05310	Switch.
54	YGD625L-54	05311	Nut.
55	YGD625L-55	05312	Screw.
56	YGD625L-56	05313	Washer.
57	YGD625L-57	05314	Rubber foot.
58	YGD625L-58	05315	Tool tray.
59	YGD625L-59	05316	Base plate.
60	YGD625L-60	05317	Right tool rest.
61	YGD625L-61	05318	Washer.
62	YGD625L-62	05320	Washer.
63	YGD625L-63	05321	Bulb.
64	YGD625L-64	05322	Lamp shade.
65	YGD625L-65	05323	Wheel dresser base.
66	YGD625L-66	05324	Washer.
67	YGD625L-67	05325	Washer.
68	YGD625L-68	05326	Screw.
69	YGD625L-69	05328	Right wheel cover.

**Helpline: (023) 8049 4344. Sales Desk: (023) 8049 4333. General Enquiries: (023) 8026 6355.**DRAPER TOOLS LTD, HURSLEY ROAD, CHANDLER'S FORD, EASTLEIGH, HANTS. SO53 1YF. U.K. internet: [www.draper.co.uk](http://www.draper.co.uk) e-mail: [sales@drapertools.com](mailto:sales@drapertools.com)