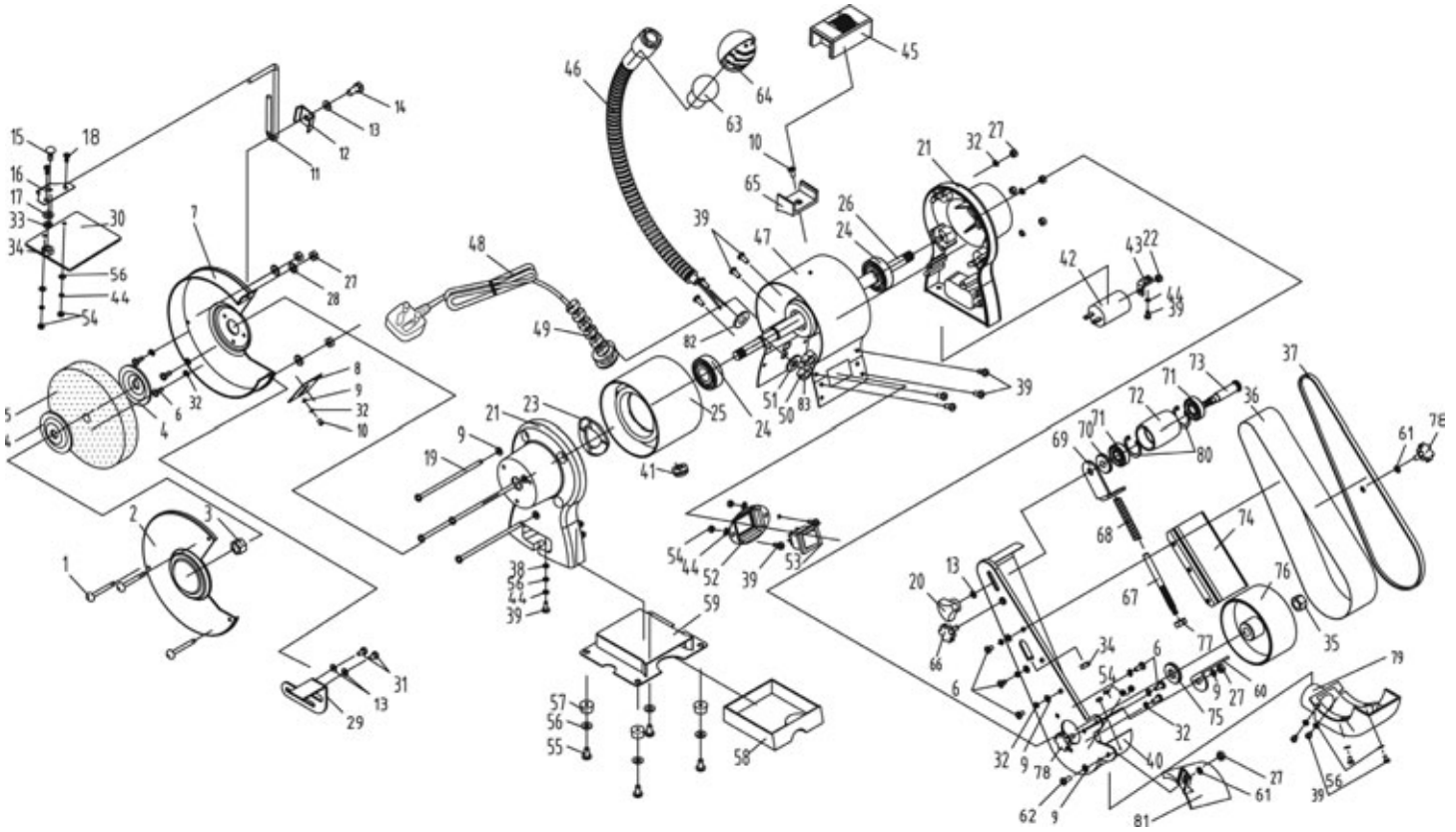


DRAPER®

SPARE PARTS LISTING & DRAWING SHEET FOR 150mm 370W Bench Grinder with Sanding Belt and Worklight

Stock No.05096

Part No.GD650A



KEY No.	PART No.	STOCK No.	DESCRIPTION
1	YGD650A-1	05403	Screw.
2	YGD650A-2	05404	Left hand wheel cover.
3	YGD650A-3	05405	Nut.
4	YGD650A-4	05406	Wheel flange.
5	AG-150	09506	Grinding wheel.
6	YGD650A-6	05407	Screw.
7	YGD650A-7	05408	Left hand guard.
8	YGD650A-8	05409	Spark deflector.
9	YGD650A-9	05410	Washer.
10	YGD650A-10	05411	Screw.
11	YGD650A-11	05412	Left hand eyeshield rod.
12	YGD650A-12	05413	Bracket.

KEY No.	PART No.	STOCK No.	DESCRIPTION
13	YGD650A-13	05414	Washer.
14	YGD650A-14	05415	Bolt.
15	YGD650A-15	05416	Bolt.
16	YGD650A-16	05417	Plate.
17	YGD650A-17	05418	Washer.
18	YGD650A-18	05419	Screw.
19	YGD650A-19	05420	Screw.
20	YGD650A-20	05421	Nut.
21	YGD650A-21	05422	End bell.
22	YGD650A-22	05423	Nut.
23	YGD650A-23	05424	Washer.
24	YGD650A-24	05425	Bearing.

Helpline: (023) 8049 4344. Sales Desk: (023) 8049 4333. General Enquiries: (023) 8026 6355.

DRAPER TOOLS LTD, HURSLEY ROAD, CHANDLER'S FORD, EASTLEIGH, HANTS. SO53 1YF. U.K. internet: www.draper.co.uk e-mail: sales@drapertools.com

DKCH020311

DRAPER[®]

SPARE PARTS LISTING SHEET FOR

150mm 370W Bench Grinder with Sanding Belt and Worklight

Stock No.05096

Part No.GD650A

KEY No.	PART No.	STOCK No.	DESCRIPTION
25	YGD650A-25	05427	Stator.
26	YGD650A-26	05428	Rotor.
27	YGD650A-27	05429	Nut.
28	YGD650A-28	05430	Washer.
29	YGD650A-29	05431	Left tool rest.
30	YGD650A-30	05432	Eyeshield.
31	YGD650A-31	05433	Bolt.
32	YGD650A-32	05434	Washer.
33	YGD650A-33	05435	Washer.
34	YGD650A-34	05436	Nut.
35	YGD650A-35	05437	Nut.
36	YGD650A-36	05438	Sanding belt.
37	YGD650A-37	05439	Right hand guard cover.
38	YGD650A-38	05440	Washer.
39	YGD650A-39	05441	Screw.
40	YGD650A-40	05443	Right hand guard.
41	YGD650A-41	05444	Wire bushing.
42	YGD650A-42	05445	Capacitor.
43	YGD650A-43	05446	Rod.
44	YGD650A-44	05447	Washer.
45	YGD650A-45	05448	Wheel dressing tool.
46	YGD650A-46	05449	Flexible pipe.
47	YGD650A-47	05450	Motor housing.
48	YGD650A-48	05451	Plug and cable.
49	YGD650A-49	05452	Cable clip.
50	YGD650A-50	05453	Nut.
51	YGD650A-51	05454	Washer.
52	YGD650A-52	05455	Switch plate.
53	YGD650A-53	05456	Switch.
54	YGD650A-54	05457	Nut.

KEY No.	PART No.	STOCK No.	DESCRIPTION
55	YGD650A-55	05458	Screw.
56	YGD650A-56	05459	Washer.
57	YGD650A-57	05460	Rubber foot.
58	YGD650A-58	05461	Tool tray.
59	YGD650A-59	05462	Base plate.
60	YGD650A-60	05463	Right tool rest
61	YGD650A-61	05464	Washer.
62	YGD650A-62	05465	Screw.
63	YGD650A-63	05466	Bulb
64	YGD650A-64	05467	Lamp shade.
65	YGD650A-65	05469	Wheel dressing tool base.
66	YGD650A-66	05470	Knob.
67	YGD650A-67	05471	Shaft.
68	YGD650A-68	05472	Spring.
69	YGD650A-69	05473	Bracket.
70	YGD650A-70	05474	Washer.
71	YGD650A-71	05475	Bearing.
72	YGD650A-72	05477	Cylinder.
73	YGD650A-73	05478	Roller.
74	YGD650A-74	05479	Support.
75	YGD650A-75	05480	Washer.
76	YGD650A-76	05481	Driving roller.
77	YGD650A-77	05482	Nut.
78	YGD650A-78	05483	Knob.
79	YGD650A-79	05484	Dust collection port.
80	YGD650A-80	05485	Circlip.
81	YGD650A-81	05486	Guard cover.
82	YGD650A-82	05487	Plate.
83	YGD650A-83	05488	Board.
84	YGD650A-84	05489	Spring.

Helpline: (023) 8049 4344. Sales Desk: (023) 8049 4333. General Enquiries: (023) 8026 6355.

DRAPER TOOLS LTD, HURSLEY ROAD, CHANDLER'S FORD, EASTLEIGH, HANTS. SO53 1YF. U.K. internet: www.draper.co.uk e-mail: sales@drapertools.com