

DRAPER[®]

SPARE PARTS LISTING SHEET FOR

230V 1" Bench Morticer

Stock No.09896 Part No.BM25/AABM25

| KEY No. | PART No. | STOCK No. | DESCRIPTION |
|---------|----------|-----------|------------------|
| 1 | YBM25-01 | 86689 | Base. |
| 2 | YBM25-02 | 86690 | Table base. |
| 3 | YBM25-03 | 86691 | Drift. |
| 4 | YBM25-04 | 86692 | Screw. |
| 5 | YBM25-05 | 86693 | Nut. |
| 6 | YBM25-06 | 86694 | Washer. |
| 7 | YBM25-07 | 86695 | Washer. |
| 8 | YBM25-08 | 86696 | Screw. |
| 9 | YBM25-09 | 86697 | Column. |
| 10 | YBM25-10 | 86698 | Screw. |
| 11 | YBM25-11 | 86699 | Spring. |
| 12 | YBM25-12 | 86700 | Screw. |
| 13 | YBM25-13 | 86701 | Nut. |
| 14 | YBM25-14 | 86702 | Drift. |
| 15 | YBM25-15 | 86703 | Screw. |
| 16 | YBM25-16 | 86704 | Rack. |
| 17 | YBM25-17 | 86705 | Screw. |
| 18 | YBM25-18 | 86706 | Fence. |
| 19 | YBM25-19 | 86707 | Washer. |
| 20 | YBM25-20 | 86708 | Washer. |
| 21 | YBM25-21 | 86709 | Screw. |
| 22 | YBM25-22 | 86710 | Localizer. |
| 23 | YBM25-23 | 86711 | Washer. |
| 24 | YBM25-24 | 86712 | Screw. |
| 25 | YBM25-25 | 86713 | Screw. |
| 26 | YBM25-26 | 86714 | Pin. |
| 27 | YBM25-27 | 86715 | Nut. |
| 28 | YBM25-28 | 86716 | Washer. |
| 29 | YBM25-29 | 86717 | Screw. |
| 30 | YBM25-30 | 86718 | Screw. |
| 31 | YBM25-31 | 86719 | Setting collar. |
| 32 | YBM25-32 | 86720 | Setting rod. |
| 33 | YBM25-33 | 86721 | Setting collar. |
| 34 | YBM25-34 | 86722 | Nut. |
| 35 | YBM25-35 | 86723 | Washer. |
| 36 | YBM25-36 | 86724 | Screw. |
| 37 | YBM25-37 | 86725 | Screw. |
| 38 | YBM25-38 | 86726 | Screw. |
| 39 | YBM25-39 | 86727 | Screw. |
| 40 | YBM25-40 | 86728 | Depth gauge. |
| 41 | YBM25-41 | 86729 | Screw. |
| 43 | YBM25-43 | 86731 | Screw. |
| 44 | YBM25-44 | 86732 | Washer. |
| 45 | YBM25-45 | 86733 | Localizer. |
| 46 | YBM25-46 | 86734 | Nut. |
| 47 | YBM25-47 | 86735 | Washer. |
| 48 | YBM25-48 | 86736 | Spring. |
| 49 | YBM25-49 | 86737 | Washer. |
| 50 | YBM25-50 | 86738 | Connecting bend. |
| 51 | YBM25-51 | 86739 | Handle. |
| 52 | YBM25-52 | 86740 | Motor. |
| 53 | YBM25-53 | 86741 | Handle grip. |
| 54 | YBM25-54 | 86742 | Power cord. |
| 55 | YBM25-55 | 86743 | Cable strain. |
| 56 | YBM25-56 | 86744 | Switch box. |
| 57 | YBM25-57 | 86745 | Switch. |
| 58 | YBM25-58 | 86746 | Screw. |
| 59 | YBM25-59 | 86747 | Screw. |
| 60 | YBM25-60 | 86748 | Chuck. |
| 61 | YBM25-61 | 86749 | Screw. |
| 62 | YBM25-62 | 86750 | Cover. |
| 63 | YBM25-63 | 86751 | Gear. |
| 64 | YBM25-64 | 86752 | Shaft. |
| 65 | YBM25-65 | 86753 | Connecting bend. |
| 66 | YBM25-66 | 86754 | Spring. |
| 67 | YBM25-67 | 86755 | Screw. |
| 68 | YBM25-68 | 86756 | Headstock. |
| 69 | YBM25-69 | 86757 | Screw. |
| 70 | YBM25-70 | 86758 | Rule. |

| KEY No. | PART No. | STOCK No. | DESCRIPTION |
|---------|-----------|-----------|--------------------|
| 71 | YBM25-71 | 86759 | Screw. |
| 72 | YBM25-72 | 86760 | Setting collar. |
| 73 | YBM25-73 | 86761 | Screw. |
| 74 | YBM25-74 | 86762 | Setting rod. |
| 75 | YBM25-75 | 86763 | Setting collar. |
| 76 | YBM25-76 | 86764 | Screw. |
| 77 | YBM25-77 | 86765 | Bushing. |
| 79 | YBM25-79 | 86766 | Pin. |
| 80 | YBM25-80 | 86767 | Clamp plate. |
| 81 | YBM25-81 | 86768 | Spring. |
| 82 | YBM25-82 | 86769 | Spring cover. |
| 83 | YBM25-83 | 86770 | Handle. |
| 84 | YBM25-84 | 86771 | Cover. |
| 85 | YBM25-85 | 86772 | Screw. |
| 86 | YBM25-86 | 86773 | Cover base. |
| 87 | YBM25-87 | 86774 | Spring. |
| 88 | YBM25-88 | 86775 | Handle. |
| 89 | YBM25-89 | 86776 | Shaft. |
| 90 | YBM25-90 | 86777 | Clamping block. |
| 91 | YBM25-91 | 86778 | Nut. |
| 92 | YBM25-92 | 86779 | Screw. |
| 93 | YBM25-93 | 86780 | Locking shaft. |
| 94 | YBM25-94 | 86781 | Handle. |
| 95 | YBM25-95 | 86782 | Wood table. |
| 96 | YBM25-96 | 86783 | Screw. |
| 97 | YBM25-97 | 86784 | Table. |
| 98 | YBM25-98 | 86785 | Washer. |
| 99 | YBM25-99 | 86786 | Screw. |
| 100 | YBM25-100 | 86787 | Rack. |
| 101 | YBM25-101 | 86788 | Screw. |
| 102 | YBM25-102 | 86789 | Gear. |
| 103 | YBM25-103 | 86790 | Drift. |
| 104 | YBM25-104 | 86791 | Nut. |
| 105 | YBM25-105 | 86792 | Screw. |
| 106 | YBM25-106 | 86793 | Pin. |
| 107 | YBM25-107 | 86794 | Gear shaft. |
| 108 | YBM25-108 | 86795 | Collar. |
| 109 | YBM25-109 | 86796 | Handwheel. |
| 110 | YBM25-110 | 86797 | Screw. |
| 111 | YBM25-111 | 86798 | Handwheel. |
| 112 | YBM25-112 | 86799 | Screw. |
| 113 | YBM25-113 | 86800 | Collar. |
| 114 | YBM25-114 | 86801 | Lead screw. |
| 115 | YBM25-115 | 86802 | Lead nut. |
| 116 | YBM25-116 | 86803 | Washer. |
| 117 | YBM25-117 | 86804 | Screw. |
| 120 | YBM25-120 | 86805 | Shaft. |
| 121 | YBM25-121 | 86806 | Setting piece. |
| 122 | YBM25-122 | 86807 | Spring. |
| 123 | YBM25-123 | 86808 | Clamping body. |
| 124 | YBM25-124 | 86809 | Circlip. |
| 125 | YBM25-125 | 86810 | Locking handle. |
| 126 | YBM25-126 | 86811 | Screw. |
| 127 | YBM25-127 | 86812 | Pin. |
| 128 | YBM25-128 | 86813 | Disc. |
| 129 | YBM25-129 | 86814 | Screw. |
| 140 | YBM25-140 | 86815 | Rod. |
| 141 | YBM25-141 | 86816 | Bolt. |
| 142 | YBM25-142 | 86817 | Setting clip. |
| 143 | YBM25-143 | 86818 | Spring. |
| 144 | YBM25-144 | 86819 | Cover. |
| 145 | YBM25-145 | 86820 | Back bar. |
| 146 | YBM25-146 | 86821 | Circlip. |
| 147 | YBM25-147 | 86822 | Circlip. |
| 148 | YBM25-148 | 86823 | Cover. |
| 149 | YBM25-149 | 86824 | Nut. |
| 150 | YBM25-150 | 86825 | Stop disc. |
| 151 | YBM25-151 | 86826 | Front setting rod. |

Helpline: (023) 8049 4344. Sales Desk: (023) 8049 4333. General Enquiries: (023) 8026 6355.

DRAPER TOOLS LTD, HURSLEY ROAD, CHANDLER'S FORD, EASTLEIGH, HANTS. SO53 1YF. U.K.

internet: www.draper.co.uk

e-mail: sales@drapertools.com

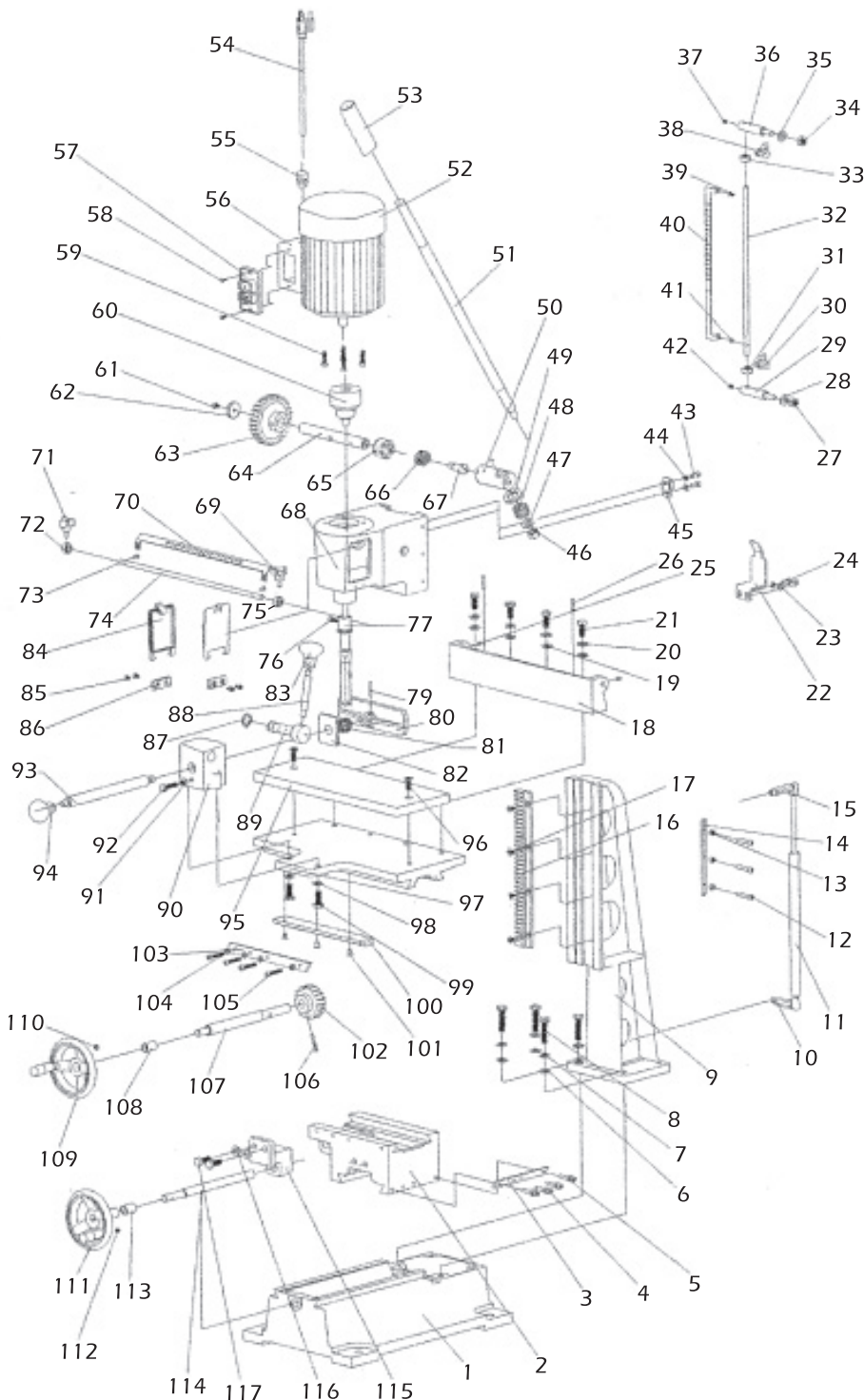
NWJW110809



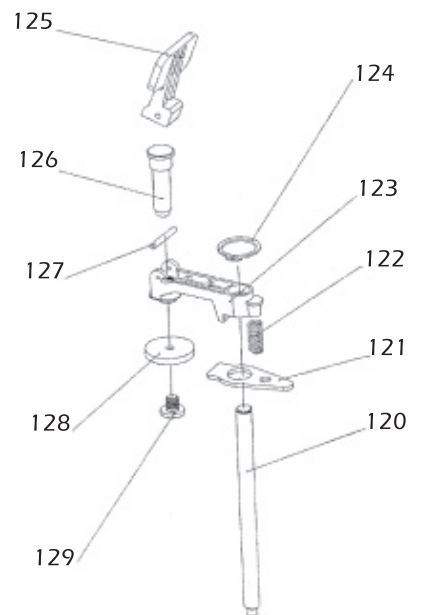
SPARE PARTS DRAWING SHEET FOR

230V 1" Bench Morticer

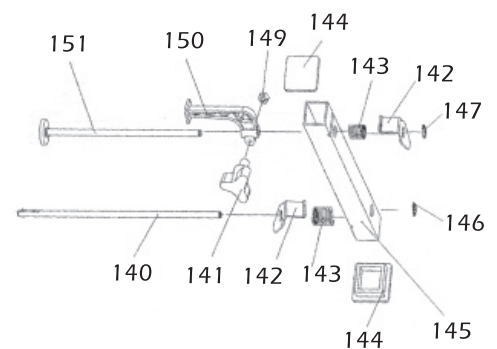
Stock No.09896 Part No.BM25/AABM25



Clamping Bar Assembly



Work Stop Assembly



Helpline: (023) 8049 4344. Sales Desk: (023) 8049 4333. General Enquiries: (023) 8026 6355.