

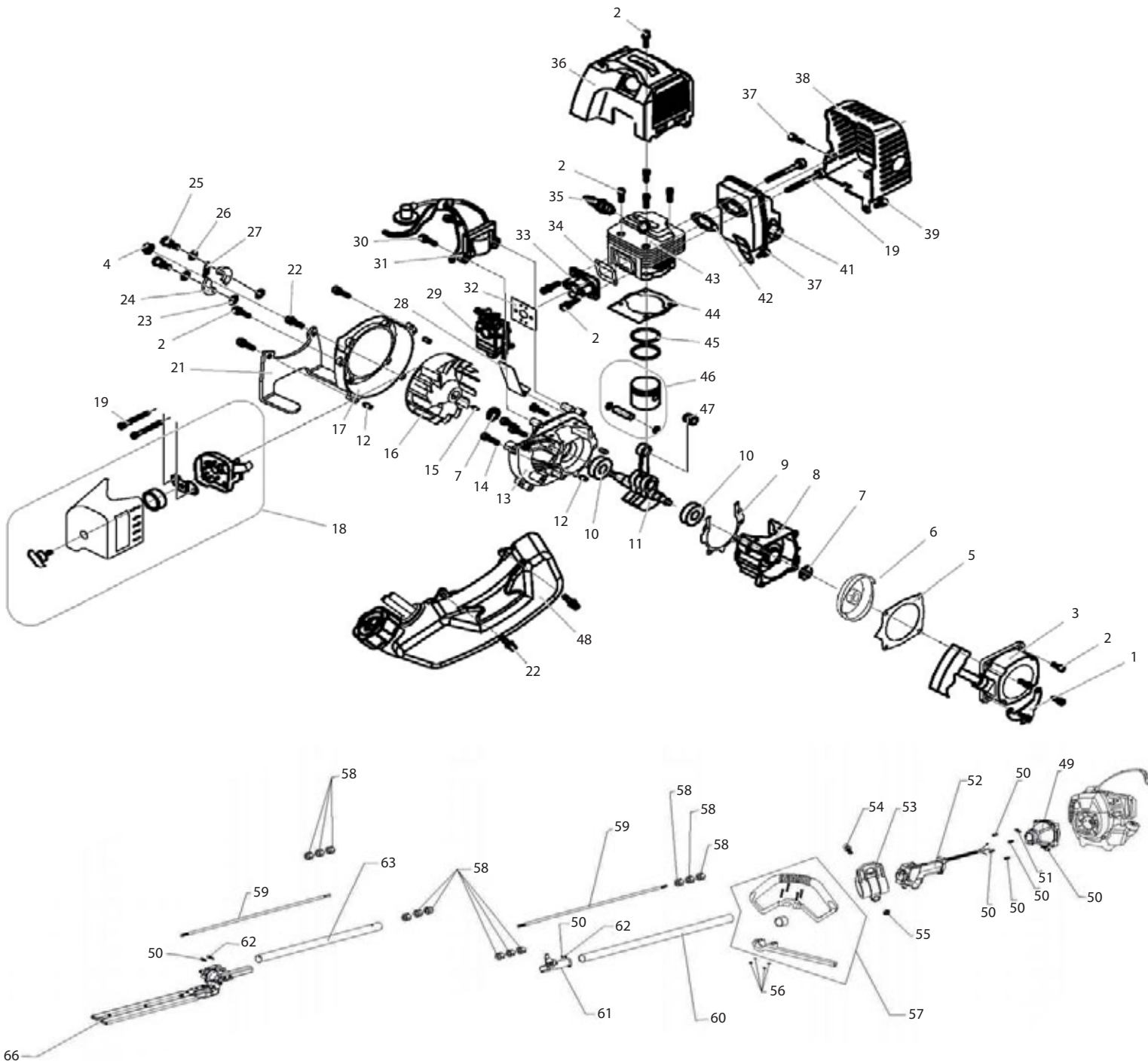


SPARE PARTS DRAWING SHEET FOR

# 32.5cc Petrol 2-in-1 Garden Tool

Stock No.16056

Part No.GTP32



**Helpline: (023) 8049 4344. Sales Desk: (023) 8049 4333. General Enquiries: (023) 8026 6355.**

DRAPER TOOLS LTD, HURSLEY ROAD, CHANDLER'S FORD, EASTLEIGH, HANTS. SO53 1YF. U.K. Website: [www.drapertools.com](http://www.drapertools.com) e-mail: [sales@drapertools.com](mailto:sales@drapertools.com)

KCCH0516

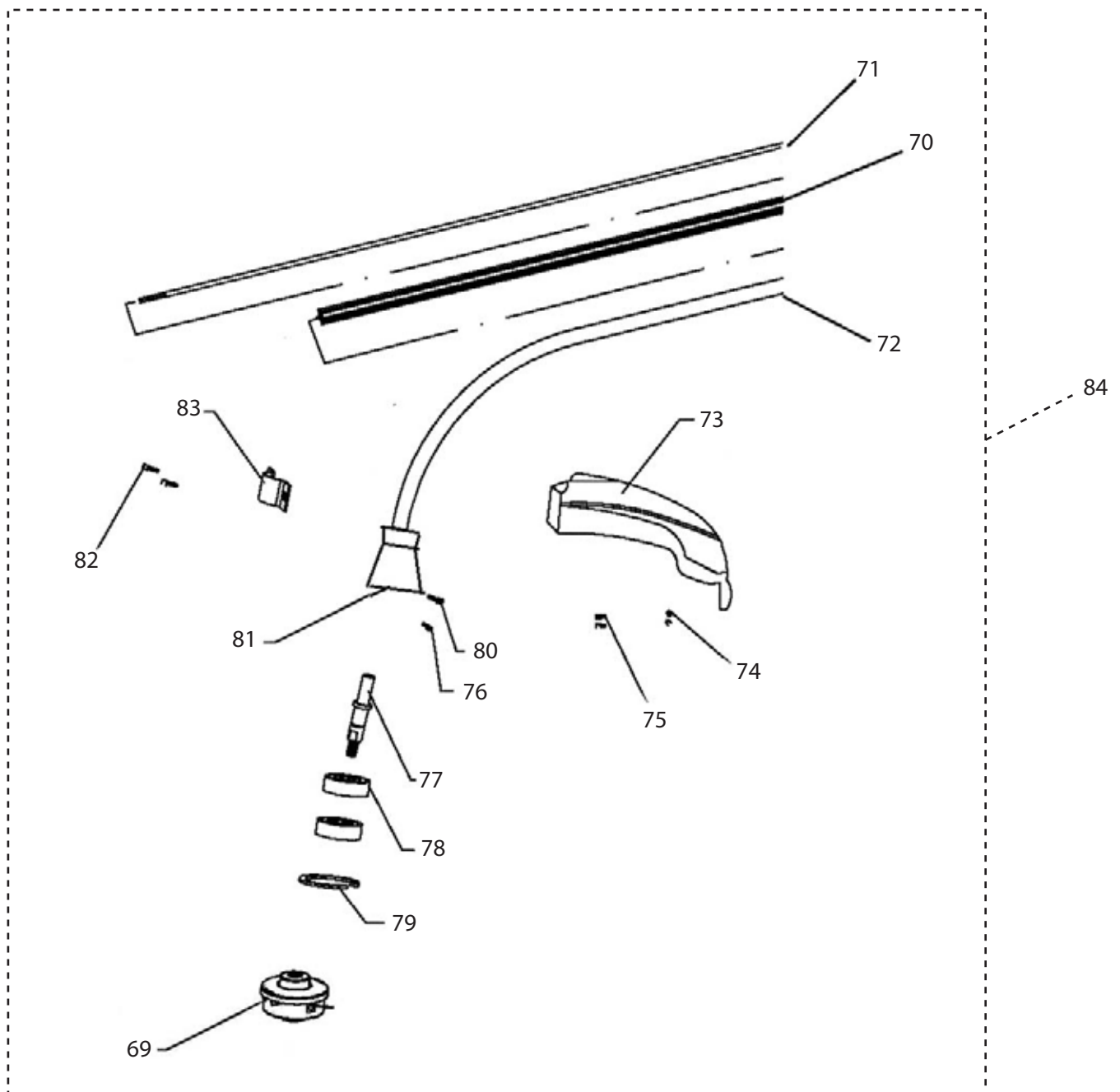


SPARE PARTS DRAWING SHEET FOR

# 32.5cc Petrol 2-in-1 Garden Tool

Stock No.16056

Part No.GTP32



**Helpline:** (023) 8049 4344. **Sales Desk:** (023) 8049 4333. **General Enquiries:** (023) 8026 6355.

DRAPER TOOLS LTD, HURSLEY ROAD, CHANDLER'S FORD, EASTLEIGH, HANTS. SO53 1YF. U.K. Website: [www.drapertools.com](http://www.drapertools.com) e-mail: [sales@drapertools.com](mailto:sales@drapertools.com)

KCCH0516



SPARE PARTS LISTING SHEET FOR

# 32.5cc Petrol 2-in-1 Garden Tool

Stock No.16056

Part No.GTP32

KEY No.	PART No.	STOCK No.	DESCRIPTION
1	Y-GTP33-01	85217	Plate.
2	Y-GTP33-02	85218	Bolt.
3	Y-GTP33-03	85219	Starter Assembly.
4	Y-GTP33-04	85220	Nut.
5	Y-GTP33-05	85221	Washer.
6	Y-GTP33-06	85222	Real Starter.
7	Y-GTP33-07	85223	Oil Seal.
8	Y-GTP33-08	85224	Crank Case (Small).
9	Y-GTP33-09	85225	Gasket Crank Case.
10	Y-GTP33-10	85226	Bearing Needle.
11	Y-GTP33-11	85227	Crankshaft.
12	Y-GTP33-12	85228	Pin.
13	Y-GTP33-13	85229	Crank Case (Big).
14	Y-GTP33-14	85230	Bolt.
15	Y-GTP33-15	85231	Key-flywheel.
16	Y-GTP33-16	85232	Flywheel.
17	Y-GTP33-17	85233	Cover.
18	Y-GTP33-18	85234	Air Filter.
19	Y-GTP33-19	85235	Bolt.
21	Y-GTP33-21	85236	Flat Washer.
22	Y-GTP33-22	85238	Bolt.
23	Y-GTP33-23	85239	Washer.
24	Y-GTP33-24	85240	Spring Drum Clutch.
25	Y-GTP33-25	85241	Bolt.
26	Y-GTP33-26	85242	Washer.
27	Y-GTP33-27	85243	Clutch Spring.
28	Y-GTP33-28	85244	Stop.
29	Y-GTP33-29	85245	Carburetor.
30	Y-GTP33-30	85246	Bolt.
31	Y-GTP33-31	85247	Electric Ignition.
32	Y-GTP33-32	85248	Carburetor Washer.
33	Y-GTP33-33	85249	Intake Hose.
34	Y-GTP33-34	85250	Intake Hose Washer.
35	Y-GTP33-35	85251	Spark Plug.
36	Y-GTP33-36	85252	Cylinder Cover.
37	Y-GTP33-37	85253	Bolt.
38	Y-GTP33-38	85254	Cover Muffler.
39	Y-GTP33-39	85255	Bolt.
41	Y-GTP33-41	85256	Muffler.

KEY No.	PART No.	STOCK No.	DESCRIPTION
42	Y-GTP33-42	85257	Muffler Gasket.
43	Y-GTP33-43	85258	Cylinder.
44	Y-GTP33-44	85259	Cylinder Gasket.
45	Y-GTP33-45	85260	Piston Ring.
46	Y-GTP33-46	85261	Piston.
47	Y-GTP33-47	85262	Needle Bearing.
48	Y-GTP33-48	85263	Oil Tank Assembly
49	Y-GTP33-49	85264	Clutch.
50	Y-GTP33-50	85265	Bolt.
51	Y-GTP33-51	85266	Bolt.
52	Y-GTP33-52	85267	Handle.
53	Y-GTP33-53	85268	Ring.
54	Y-GTP33-54	85269	Bolt.
55	Y-GTP33-55	85270	Nut.
56	Y-GTP33-56	85271	Bolt.
57	Y-GTP33-57	85272	Handle.
58	Y-GTP33-58	85273	Bearing.
59	Y-GTP33-59	85274	Shaft.
60	Y-GTP33-60	85275	Pipe.
61	Y-GTP33-61	85276	Quick Change.
62	Y-GTP33-62	85277	Bolt.
66	AGTP33-HT	84757	Hedge trimmer attachment.
69	Y-GTP33-69	85288	Line trimmer spool.
70	Y-GTP32-70	16378	Sleeve.
71	Y-GTP32-71	16379	Flexible shaft.
72	Y-GTP32-72	16381	Curved aluminium pipe.
73	Y-GTP32-73	16382	Safety guard.
74	Y-GTP32-74	16383	M5 screw.
75	Y-GTP32-75	16384	Blade.
76	Y-GTP32-76	16385	Screw.
77	Y-GTP32-77	16386	Shaft.
78	Y-GTP32-78	16387	Bearing.
79	Y-GTP32-79	16388	Ring.
80	Y-GTP32-80	16389	M5 x 20 screw.
81	Y-GTP32-81	16390	Shroud.
82	Y-GTP32-82	16391	M5 x 16 screw.
83	Y-GTP32-83	16392	Collar.
84	AGTP32-84	17772	Line trimmer attachment.

**Helpline:** (023) 8049 4344. **Sales Desk:** (023) 8049 4333. **General Enquiries:** (023) 8026 6355.