



230V 20L WET AND DRY VACUUM CLEANER 20515

SPARE PARTS LISTING SHEET

| KEY No. | PART No. | STOCK No. | DESCRIPTION |
|---------|-----------|-----------|---------------------------------------|
| 1 | YWDVSS-1 | 66256 | Handle |
| 2 | YWDVSS-2 | 66260 | Switch push button |
| 3 | YWDVSS-3 | 66261 | Switch |
| 4 | YWDVSS-4 | 66263 | Motor top cover |
| 4 | YWDVSS-4A | 81940 | Motor top cover (B/C 195551 onwards) |
| 5 | YWDVSS-5 | 66264 | Motor |
| 5 | YWDVSS-5A | 81941 | Motor (B/C 195551 onwards) |
| 6 | YWDVSS-6 | 66265 | Motor base cover |
| 6 | YWDVSS-6A | 81952 | Motor base cover (B/C 195551 onwards) |
| 7 | YWDVSS-7 | 66266 | Screw |
| 8 | | see no.5 | Washer |
| 9 | | see no.5 | Bushing |
| 10 | | see no.5 | Fan |
| 11 | | see no.5 | Washer |
| 12 | | see no.5 | Nut |
| 13 | YWDVSS-13 | 66341 | Air inlet grid |
| 14 | YWDVSS-14 | 66425 | Screw |
| 15 | YWDVSS-15 | 66461 | Floating block |
| 16 | YWDVSS-16 | 66463 | Filter support |
| 17 | YWDVSS-17 | 66470 | Name plate |
| 18 | YWDVSS-18 | 66474 | Top cover |
| 19 | YWDVSS-19 | 66553 | Stoppie |
| 20 | YWDVSS-20 | 66619 | Screw |
| 21 | YWDVSS-21 | 66625 | Air outlet foam |

| KEY No. | PART No. | STOCK No. | DESCRIPTION |
|---------|-------------|-----------|--------------------------|
| 22 | YWDVSS-22 | 66626 | Air outlet plate |
| 23 | YWDVSS-23 | 66627 | Screw |
| 24 | YWDVSS-24 | 66641 | Power cord plate |
| 25 | YWDVSS-25 | 66757 | Power cord |
| 26 | YWDVSS-26 | 66768 | Power cord sheathing |
| 27 | YWDVSS-27 | 66771 | Screw |
| 28 | YWDVSS-28 | 66772 | Suction connection plate |
| 29 | YWDVSS-29 | 66784 | Suction connection |
| 30 | YWDVSS-30 | 66813 | Screw |
| 31 | YWDVSS-31 | 66822 | Clip base |
| 32 | YWDVSS-32 | 66824 | Clip 1 |
| 33 | YWDVSS-33 | 66826 | Clip 2 |
| 34 | YWDV20SS-34 | 66846 | Tank-20L |
| 35 | YWDVSS-35 | 66861 | Cord hook |
| 36 | YWDVSS-36 | 66878 | Tank base |
| 37 | YWDVSS-37 | 67124 | Wheel |
| 43 | AWDVSS-43 | 67794 | Tube |
| 44 | AWDVSS-44 | 67812 | Hose |
| 45 | AWDVSS-45 | 67818 | Filter foam |
| 46 | AWDVSS-46 | 67819 | Wet brush |
| 47 | AWDVSS-47 | 67999 | Crevice tool |
| 48 | AWDVSS-48 | 68015 | Paper bag (3-pack) |
| 49 | AWDVSS-49 | 68049 | Cloth filter |
| 50 | AWDVSS-50 | 68301 | Round brush |

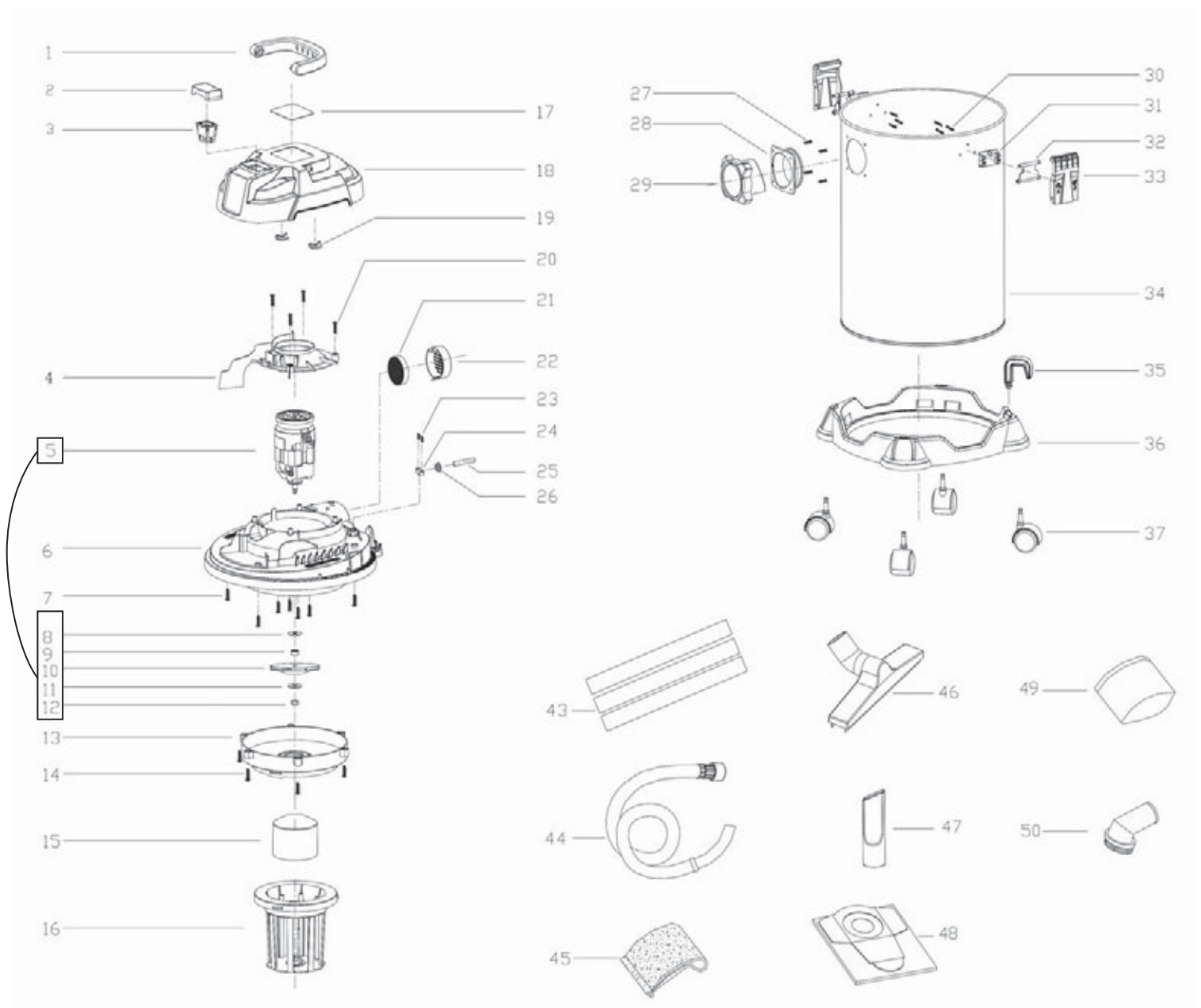
Helpline: (023) 8049 4344. Sales Desk: (023) 8049 4333. General Enquiries: (023) 8026 6355.

DRAPER TOOLS LTD, HURSLEY ROAD, CHANDLER'S FORD, EASTLEIGH, HANTS. SO53 1YF. U.K website: drapertools.com e-mail: sales@drapertools.com



230V 20L WET AND DRY VACUUM CLEANER 20515

SPARE PARTS DRAWING SHEET



Helpline: (023) 8049 4344. Sales Desk: (023) 8049 4333. General Enquiries: (023) 8026 6355.

DRAPER TOOLS LTD, HURSLEY ROAD, CHANDLER'S FORD, EASTLEIGH, HANTS. SO53 1YF. U.K website: drapertools.com e-mail: sales@drapertools.com