

**DRAPER**<sup>®</sup>

# Steel Shelving Unit

Stock No.21658

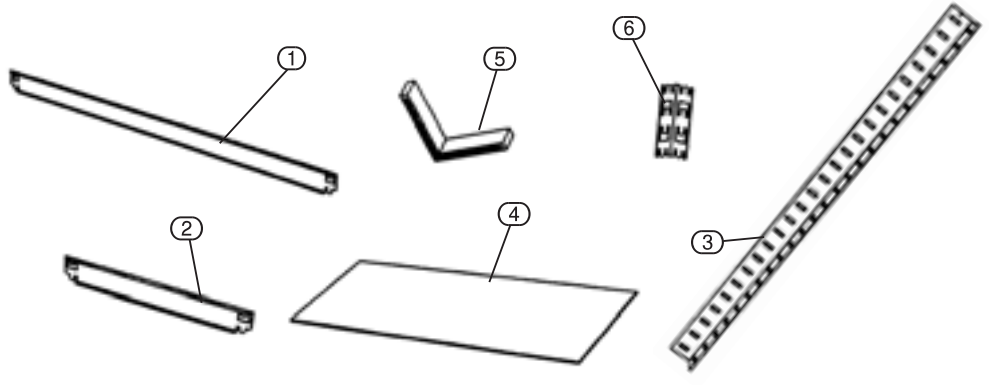
Part No.MSU152

## INSTRUCTIONS

02/2010

**DRAPER**<sup>®</sup>

### GETTING TO KNOW YOUR SHELVING UNIT



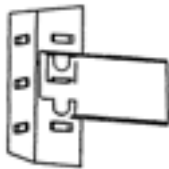
- ① Beams x 8      ② Braces x 8      ③ Post x 8      ④ Board x 4      ⑤ Endcap x 8      ⑥ Connect x 4

- **UNPACKING:** After removing the packing material, make sure the product is in perfect condition and that there are no visible damaged parts. If in doubt, do not use the product and contact the dealer from whom it was purchased. The packaging materials (plastic bags, polystyrene, etc.), must be disposed of in an appropriate refuse collection container. These materials must not be left within the reach of children as they are potential sources of danger.

#### PROPER INSTALLATION TECHNIQUES FOR TAB ENGAGEMENT

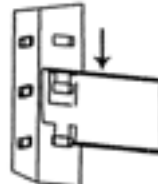
##### - A-Tap Overlay

Brace tab are over post holes, and the brace is flush to the post.



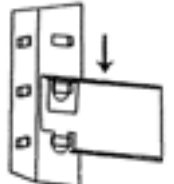
##### - B-Partial Engagement

Apply downward pressure to the brace by hand, to partially seat tabs.



##### - C-Full Engagement

Tap brace down lightly with a mallet to fully seat the tabs



**DRAPER**<sup>®</sup>

### SAFETY INSTRUCTIONS

- These units should be placed on a level surface. Failure to do so can result in poor product performance or create a possible safety hazard. This unit should be securely anchored to a wall of floor with suitable fasteners, which are not included. Do not use this unit for anything other than the manufactures intended purpose. **DO NOT STAND ON ANY PART OF THE UNIT, OR USE IT AS A LADDER.** Evenly distribute the weight on each level and always keep the heavier loads on the bottom. Use care when working with metal parts.

**DRAPER**<sup>®</sup>

### OPERATIONS AND USES

- Assembly is done with tabs of the beams and braces fitting into the holes of the post(See "Proper Installation Techniques For Tab Engagement"). A rubber mallet may be used on the beams and braces to seat that tabs properly. A hammer can also be used, providing one uses a cloth or a block of wood between the hammer head and the parts to prevent damage. Tap gently and be sure the tabs are straight and fully engaged. During shipping and handling some of the holes of the post that are used for engaging the beams and braces may have become closed. Visually inspect all the post. If it is found that some holes are closed, use a small tipped screwdriver to push the tabs slightly to re-open.



# Steel Shelving Unit

Stock No.21658

Part No.MSU152

## INSTRUCTIONS

02/2010

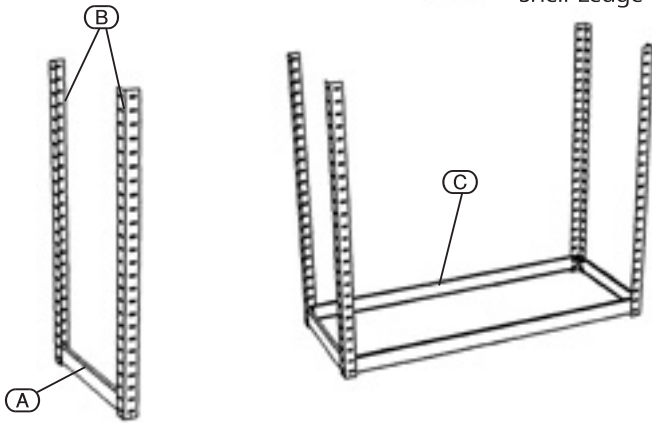
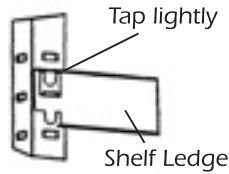


### OPERATIONS AND USES

- Assemble two Posts (B) with one Brace (A). Place the tabs of the Brace into the holes of the Post with the shelf ledge facing up.

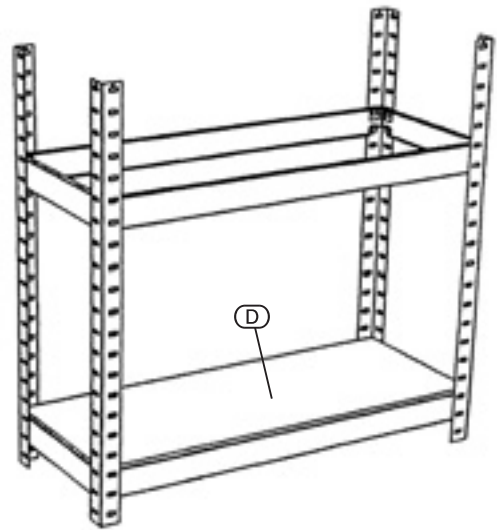
Tap lightly to seat Tabs.

Repeat with two Post and one Brace. Assemble the two Post end units with two Beams (C). Skip one Tab from the bottom of post, tap lightly to seat beams.



- Start by adding a board shelf (D) to the level previously built, then continue working by adding the second level using two beams and two braces to the post of your desired height.

Again place the tabs of the beams and braces into the post holes with the shelf ledge facing up and tap lightly to seat the tabs.

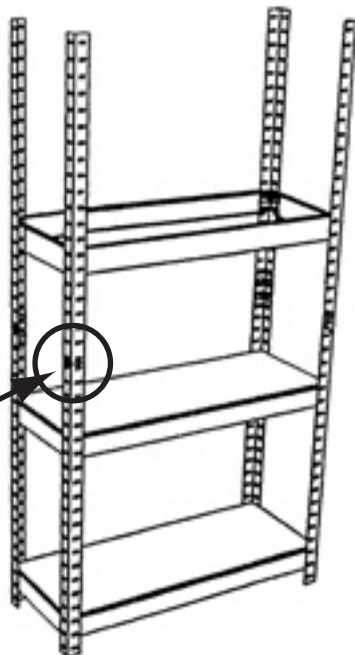


**IMPORTANT NOTE:** Make sure all beam/brace tabs are fully seated into the holes of the post.

- Add a Board to the previously built level, then assemble the top post to the bottom post by using four Connects.

Place the connectors into the top end of bottom post and the bottom end of top post, tap down to seat properly(see detailed figure).

Continue by adding the third level; again tap lightly to seat the tabs.



- Adding a board shelf to the level previously built, then continue working by adding the final level using two beams and two braces to the unit.

Tap lightly to seat the tabs and add final board to the top of the unit.

Put Endcaps to both ends of four Posts.

