

DRAPER®

INSTRUCTIONS FOR Steel Workbench

Stock No.24912
24913

Part No.WB1200
WB1800

IMPORTANT: PLEASE READ THESE INSTRUCTIONS CAREFULLY TO ENSURE THE SAFE AND EFFECTIVE USE OF THIS PRODUCT.



CE

DRAPER®

GENERAL INFORMATION

These instructions accompanying the product are the original instructions. This document is part of the product, keep it for the life of the product passing it on to any subsequent holder of the product. Read all these instructions before assembling, operating or maintaining this product.

This manual has been compiled by Draper Tools describing the purpose for which the product has been designed, and contains all the necessary information to ensure its correct and safe use. By following all the general safety instructions contained in this manual, it will ensure both product and operator safety, together with longer life of the product itself. All photographs and drawings in this manual are supplied by Draper Tools to help illustrate the operation of the product. Whilst every effort has been made to ensure the accuracy of information contained in this manual, the Draper Tools policy of continuous improvement determines the right to make modifications without prior warning.

2. CONTENTS

2.1 CONTENTS

Page content Page

1	TITLE PAGE	
	1.1 INTRODUCTION	2
	1.2 REVISION HISTORY.....	2
	1.3 UNDERSTANDING THIS MANUAL	2
	1.4 COPYRIGHT NOTICE.....	2
2	CONTENTS	
	2.1 CONTENTS	3
3	GUARANTEE	
	3.1 GUARANTEE	4
4	INTRODUCTION	
	4.1 SCOPE	4
	4.2 SPECIFICATION	4
	4.3 HANDLING & STORAGE	4
5	HEALTH & SAFETY INFORMATION	
	5.1 SAFETY INSTRUCTIONS FOR STEEL WORKBENCHES	4
6	TECHNICAL DESCRIPTION	
	6.1 TECHNICAL DESCRIPTION	4
7	UNPACKING & CHECKING	
	7.1 PACKAGING.....	5
8	PREPARING THE LEVEL	
	8.1 ASSEMBLY	5
	DECLARATION OF CONFORMITY	ENCLOSED

1. TITLE PAGE

1.1 INTRODUCTION:

USER MANUAL FOR:

STEEL WORKBENCH

Stock no. 224912, 24913.

Part no. WB1200, WB1800.

1.2 REVISIONS:

Date first published September 2012

As our user manuals are continually updated, users should make sure that they use the very latest version.

Downloads are available from: <http://www.drapertools.com/b2c/b2cmanuals.pgm>

DRAPER TOOLS LIMITED

HURSLEY ROAD

CHANDLER'S FORD

EASTLEIGH

HAMPSHIRE

SO53 1YF

UK

WEBSITE: www.drapeer.co.uk

PRODUCT HELPLINE: +44 (0) 23 8049 4344

GENERAL FAX: +44 (0) 23 8026 0784

1.3 UNDERSTANDING THIS MANUALS SAFETY CONTENT:

WARNING! Information that draws attention to the risk of injury or death.

CAUTION! Information that draws attention to the risk of damage to the product or surroundings.

1.4 COPYRIGHT © NOTICE:

Copyright © Draper Tools Limited.

Permission is granted to reproduce this publication for personal & educational use only.

Commercial copying, redistribution, hiring or lending is prohibited.

No part of this publication may be stored in a retrieval system or transmitted in any other form or means without written permission from Draper Tools Limited.

In all cases this copyright notice must remain intact.

3. GUARANTEE

3.1 GUARANTEE

Draper tools have been carefully tested and inspected before shipment and are guaranteed to be free from defective materials and workmanship. Should the tool develop a fault, please return the complete tool to your nearest distributor or contact Draper Tools Limited, Chandler's Ford, Eastleigh, Hampshire, SO53 1YF, England. Telephone Sales Desk: (023) 8049 4333 or Product Helpline (023) 8049 4344.

A proof of purchase must be provided with the tool.

If upon inspection it is found that a fault occurring is due to defective materials or workmanship, repairs will be carried out free of charge. The guarantee period covering parts/labour is 12 months from the date of purchase. This guarantee does not apply to normal wear and tear, nor does it cover any damage caused by misuse, careless or unsafe handling, alterations, accidents, or repairs attempted or made by any personnel other than the authorised Draper warranty repair agents.

Note: If the tool is found not to be within the Terms of Warranty, repair and carriage charges will be quoted and made accordingly.

This guarantee applies in lieu of any other guarantee expressed or implied and variations of its terms are not authorised.

Your Draper guarantee is not effective unless you can produce upon request a dated receipt or invoice to verify your proof of purchase within the guarantee period.

Please note that this guarantee is an additional benefit and does not affect your statutory rights.

Draper Tools Limited.

4. INTRODUCTION

4.1 SCOPE

This workbench is of steel construction that requires no nuts and bolts, with a wooden worktop and shelf.

4.2 SPECIFICATION

Stock no	24912	24913
Part no	WB1200	WB1800
Measurements		
Length	1200mm	1800mm
Width.....	600mm	600mm
Height.....	900mm	900mm
Max. loading (per shelf).....	200kg	200kg

4.3 HANDLING & STORAGE

Care must be taken when handling and lifting. Dropping the bench could damage components and may result in personal injury. Ensure it is stored in a dry location, damp can have an effect on the wood and steel components.

5. HEALTH & SAFETY INFORMATION

5.1 SAFETY INSTRUCTIONS FOR STEEL WORKBENCHES

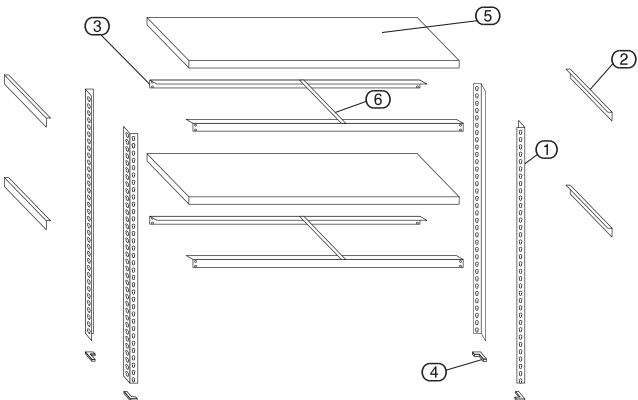
WARNING: Please read the following instructions carefully, failure to do so could lead to serious personal injury. Read all these instructions before operating this product and save these instructions.

IMPORTANT: Draper Tools Limited recommends that this workbench should not be modified or used for any application other than for which it was designed.

- i. Use adequate manpower when assembling and moving this unit. Failure to do so may cause personal injury or product damage.
- ii. DO NOT stand on this product, you may fall which may cause personal injury.
- iii. DO NOT mount this product on a truck bed or any other moving object. This may cause personal injury or product damage.
- iv. DO NOT move this product with a forklift.
- v. DO NOT alter this product in any manner. This may cause product damage or personal injury.
- vi. Keep the product on level surfaces. The product may become unstable and tip if stored or moved on an unlevel surface, which may cause personal injury or product damage.
- vii. Be sure to secure the unit to a studded or concrete wall. Failure to do so may cause the unit to become unstable and tip. This may cause personal injury or product damage.
- viii. Maximum combined weight limit not to exceed 400kgs. If the limit is exceeded, the product could collapse and cause personal injury or product damage.

6. TECHNICAL DESCRIPTION

6.1 TECHNICAL DESCRIPTION



- ① Support rack x4
- ② Cross rail (short) x4
- ③ Cross rail (long) x4
- ④ Feet x4
- ⑤ Wooden top x2
- ⑥ Support rail x2

7. UNPACKING & CHECKING

7.1 PACKAGING

Carefully remove all components from the packaging and examine it for any sign of damage that may have happened during shipping. Lay the contents out and check them against the parts shown below. If any part is damaged or missing; please contact the Draper Helpline (the telephone number appears on the Title page) and do not attempt to use the workbench.

The packaging material should be retained at least during the guarantee period: in case the machine needs to be returned for repair.

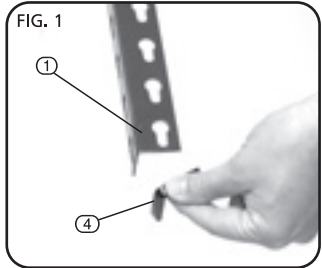
Warning! Some of the packaging materials used may be harmful to children. Do not leave any of these materials in the reach of children.

If any of the packaging is to be thrown away, make sure they are disposed of correctly; according to local regulations.

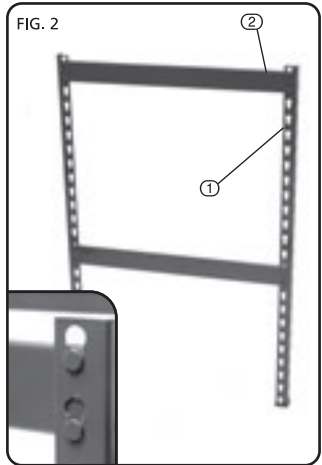
8. PREPARING THE WORKBENCH

8.1 ASSEMBLY - FIGS. 1 - 5

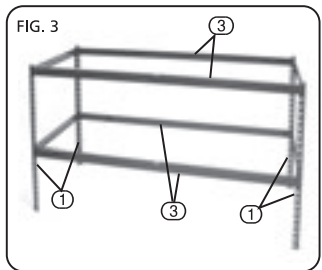
Attach the rubber feet (4) to the base of each support rail (1).



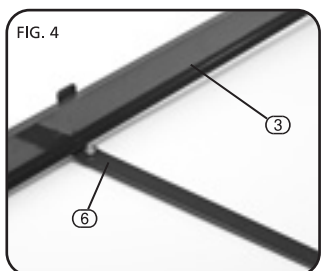
Locate the plug from the cross rail (2) into the slot of the support rail (1). Using a rubber mallet, gently tap the plug down so it is secure. Repeat this for both ends of the workbench.



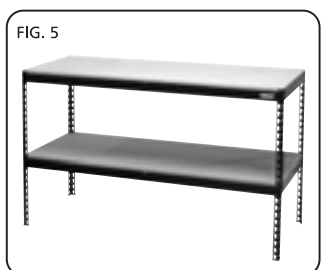
Locate the long cross rail (3) plug into the slot of the support rail (1) again using a soft mallet tap the plug so it is secure.



Secure the support rail (6) between the cross rail (3) on both sides using the nuts and bolts provided.



Insert the wooden top and shelf (ensuring you do not trap fingers) into the recess in the rails.



- **DRAPER TOOLS LIMITED,**
Hursley Road, Chandler's Ford,
Eastleigh, Hampshire. SO53 1YF. U.K.
- **Helpline:** (023) 8049 4344
- **Sales Desk:** (023) 8049 4333
- **Internet:** www.draper.co.uk
- **E-mail:** sales@drapertools.com
- **Sales Fax:** (023) 8049 4209
- **General Enquiries:** (023) 8026 6355
- **Service/Warranty Repair Agent**
For aftersales servicing or warranty repairs, please
contact the Draper Tools Helpline for details of an
agent in your local area.

YOUR DRAPER STOCKIST