



SPARE PARTS LISTING SHEET FOR

230V 24L

Air Compressor

Stock No.24980

Part No.DA25/207

| KEY No. | PART No. | STOCK No. | DESCRIPTION |
|---------|--------------|-----------|----------------------|
| 1 | CDA25/207-01 | 25580 | Bolt |
| 2 | CDA25/207-02 | 25582 | Cylinder head |
| 3 | CDA25/207-03 | 25583 | Air filter |
| 4 | CDA25/207-04 | 25584 | Cylinder head gasket |
| 5 | CDA25/207-05 | 25585 | Valve plate |
| 6 | CDA25/207-06 | 25586 | Valve plate gasket |
| 7 | CDA25/207-07 | 25587 | Valve |
| 8 | CDA25/207-08 | 25588 | Pin |
| 9 | CDA25/207-09 | 25589 | Cylinder |
| 10 | CDA25/207-10 | 25590 | Bolt |
| 11 | CDA25/207-11 | 25591 | Cylinder gasket |
| 12 | CDA25/207-12 | 25592 | Piston ring |
| 13 | CDA25/207-13 | 25593 | Piston |
| 14 | CDA25/207-14 | 25594 | Piston pin |
| 15 | CDA25/207-15 | 25595 | Circlip |
| 16 | CDA25/207-16 | 25597 | Bolt |
| 17 | CDA25/207-17 | 25598 | Crankcase cover |
| 18 | CDA25/207-18 | 25599 | Vial gasket |
| 19 | CDA25/207-19 | 25600 | Vial |
| 20 | CDA25/207-20 | 25601 | Bolt |
| 21 | CDA25/207-21 | 25602 | Circlip |
| 22 | CDA25/207-22 | 25603 | Gasket |
| 23 | CDA25/207-23 | 25604 | Connecting rod |
| 24 | CDA25/207-24 | 25605 | Bolt |
| 25 | CDA25/207-25 | 25607 | Crank |
| 26 | CDA25/207-26 | 25608 | Crankcase |
| 27 | CDA25/207-27 | 25609 | Sealing ring |
| 28 | CDA25/207-28 | 25612 | Bearing |
| 29 | CDA25/207-29 | 25615 | Field |
| 30 | CDA25/207-30 | 25616 | Stator |
| 31 | CDA25/207-31 | 25617 | Bearing |
| 32 | CDA25/207-32 | 25618 | Washer |

| KEY No. | PART No. | STOCK No. | DESCRIPTION |
|---------|--------------|-----------|------------------|
| 33 | CDA25/207-33 | 25619 | Motor cover |
| 34 | CDA25/207-34 | 25620 | Bolt |
| 35 | CDA25/207-35 | 25621 | Motor cover |
| 36 | CDA25/207-36 | 25622 | Circlip |
| 37 | CDA25/207-37 | 25623 | Connector |
| 38 | CDA25/207-38 | 25624 | Fan cover |
| 39 | CDA25/207-39 | 25625 | Nut |
| 40 | CDA25/207-40 | 25626 | Washer |
| 41 | CDA25/207-41 | 25627 | Capacitor |
| 42 | CDA25/207-42 | 25628 | Nut |
| 43 | CDA25/207-43 | 25629 | Check valve |
| 44 | CDA25/207-44 | 25631 | Release pipe |
| 45 | CDA25/207-45 | 25632 | Bolt |
| 46 | CDA25/207-46 | 25633 | Discharge pipe |
| 47 | CDA25/207-47 | 25634 | Nut |
| 48 | CDA25/207-48 | 25635 | Spring |
| 49 | CDA25/207-49 | 25636 | Washer |
| 50 | CDA25/207-50 | 25648 | Bush |
| 51 | CDA25/207-51 | 25654 | Wheel |
| 52 | CDA25/207-52 | 25655 | Bolt |
| 53 | CDA25/207-53 | 25656 | Foot |
| 54 | CDA25/207-54 | 25657 | Tank |
| 55 | CDA25/207-55 | 25658 | Bung |
| 56 | CDA25/207-56 | 25659 | Nut |
| 57 | CDA25/207-57 | 25660 | Plug and cable |
| 58 | CDA25/207-58 | 25661 | Cable |
| 59 | CDA25/207-59 | 25662 | Safety valve |
| 60 | CDA25/207-60 | 25663 | Pressure gauge |
| 61 | CDA25/207-61 | 25664 | Regualtor gauge |
| 62 | CDA25/207-62 | 25665 | Quick coupler |
| 63 | CDA25/207-63 | 25666 | Regualator valve |
| 64 | CDA25/207-64 | 25668 | Pressure switch |

Helpline: (023) 8049 4344. Sales Desk: (023) 8049 4333. General Enquiries: (023) 8026 6355.

DRAPER TOOLS LTD, HURSLEY ROAD, CHANDLER'S FORD, EASTLEIGH, HANTS. SO53 1YF. U.K website: www.drapertools.com e-mail: sales@drapertools.com

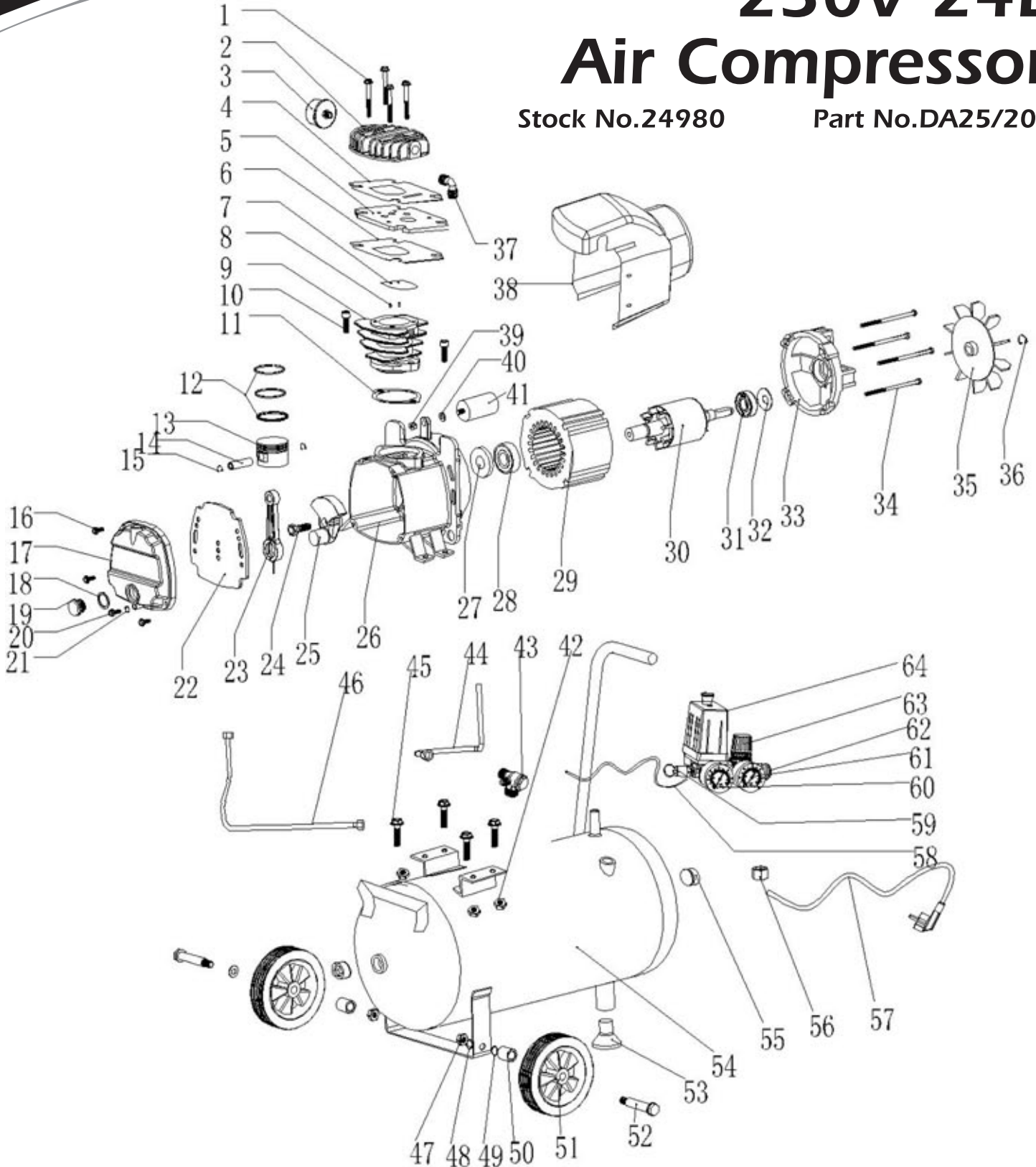


SPARE PARTS DRAWING SHEET FOR

230V 24L Air Compressor

Stock No.24980

Part No.DA25/207



Helpline: (023) 8049 4344. Sales Desk: (023) 8049 4333. General Enquiries: (023) 8026 6355.

DRAPER TOOLS LTD, HURSLEY ROAD, CHANDLER'S FORD, EASTLEIGH, HANTS. SO53 1YF. U.K website: www.drapertools.com e-mail: sales@drapertools.com

RWCH130812