



SPARE PARTS LISTING SHEET FOR 50L Twin V Oiled Air Compressor

Stock No.29355

Part No.DA50/412TV

KEY No.	PART No.	STOCK No.	DESCRIPTION
1	CDA50/412TV-01	30300	Bolt
2	CDA50/412TV-02	30304	Cylinder Head
3	CDA50/412TV-03	30305	Cylinder Sealing Ring
4	CDA50/412TV-04	30306	Valve Plate
5	CDA50/412TV-05	30307	Valve Plate Gasket
6	CDA50/412TV-06	30308	Valve Plate
7	CDA50/412TV-07	30311	Lock Pin
8	CDA50/412TV-08	30312	Cylinder
9	CDA50/412TV-09	30313	Cylinder Gasket
10	CDA50/412TV-10	30314	Gas Ring
11	CDA50/412TV-11	30318	Oil Ring
12	CDA50/412TV-12	30319	Piston
13	CDA50/412TV-13	30320	Piston Pin
14	CDA50/412TV-14	30321	Circlip
15	CDA50/412TV-15	30324	Connecting Rod
16	CDA50/412TV-16	30326	Gasket
17	CDA50/412TV-17	30327	Breather Pipe
18	CDA50/412TV-18	30329	Crank Case Cover
19	CDA50/412TV-19	30333	Bolt
20	CDA50/412TV-20	30334	Oil Vial
21	CDA50/412TV-21	30335	Screw
22	CDA50/412TV-22	30337	Gasket
23	CDA50/412TV-23	30338	Crank
24	CDA50/412TV-24	30339	Bolt
25	CDA50/412TV-25	30340	Crank Case
26	CDA50/412TV-26	30341	Bolt
27	CDA50/412TV-27	30342	Sealing Ring
28	CDA50/412TV-28	30343	Bearing
29	CDA50/412TV-29	30346	Capacitor
30	CDA50/412TV-30	30351	Nut
31	CDA50/412TV-31	30356	Operating Capacitor
32	CDA50/412TV-32	30360	Front Support Plate
33	CDA50/412TV-33	30361	Bolt
34	CDA50/412TV-34	30364	Curved Connector
35	CDA50/412TV-35	30366	Connecting Pipe
36	CDA50/412TV-36	30369	Curved Connector
37	CDA50/412TV-37	30371	Air Filter
38	CDA50/412TV-38	30372	Reset Switch
39	CDA50/412TV-39	30375	Bolt
40	CDA50/412TV-40	30376	Junction Box

KEY No.	PART No.	STOCK No.	DESCRIPTION
41	CDA50/412TV-41	30377	Stator
42	CDA50/412TV-42	30378	Rotor
43	CDA50/412TV-43	30380	Bearing
44	CDA50/412TV-44	30381	Washer
45	CDA50/412TV-45	30382	Plate
46	CDA50/412TV-46	30383	Centifuge
47	CDA50/412TV-47	30384	Motor Housing
48	CDA50/412TV-48	30385	Back Support Plate
49	CDA50/412TV-49	30386	Bolt
50	CDA50/412TV-50	30387	Fan
51	CDA50/412TV-51	30388	Check Ring
52	CDA50/412TV-52	30389	Front Fan Cover
53	CDA50/412TV-53	30390	Bolt
54	CDA50/412TV-54	30392	Nut
55	CDA50/412TV-55	30393	Fan Cover
56	CDA50/412TV-56	30394	Screw
57	CDA50/412TV-57	30395	Tube
58	CDA50/412TV-58	30396	Nut
59	CDA50/412TV-59	30398	Release Pipe
60	CDA50/412TV-60	30399	Bolt
61	CDA50/412TV-61	30400	Non-return Valve
62	CDA50/412TV-62	30401	Axle
63	CDA50/412TV-63	30402	Wheel
64	CDA50/412TV-64	30403	Plug
65	CDA50/412TV-65	30404	Nut
66	CDA50/412TV-66	30405	Washer
67	CDA50/412TV-67	30406	Drain Valve
68	CDA50/412TV-68	30407	Bolt
69	CDA50/412TV-69	30408	Rubber Foot
70	CDA50/412TV-70	30410	Nut
71	CDA50/412TV-71	30411	Nut
72	CDA50/412TV-72	30412	Support Bracket
73	CDA50/412TV-73	30415	Safety Valve
74	CDA50/412TV-74	30416	Quick Coupler
75	CDA50/412TV-75	30418	Pressure Gauge
76	CDA50/412TV-76	30419	Pressure Switch
77	CDA50/412TV-77	30420	Plug and Cable
78	CDA50/412TV-78	30421	Handle Grip
79	CDA50/412TV-79	30422	Tank

Helpline: (023) 8049 4344. Sales Desk: (023) 8049 4333. General Enquiries: (023) 8026 6355.

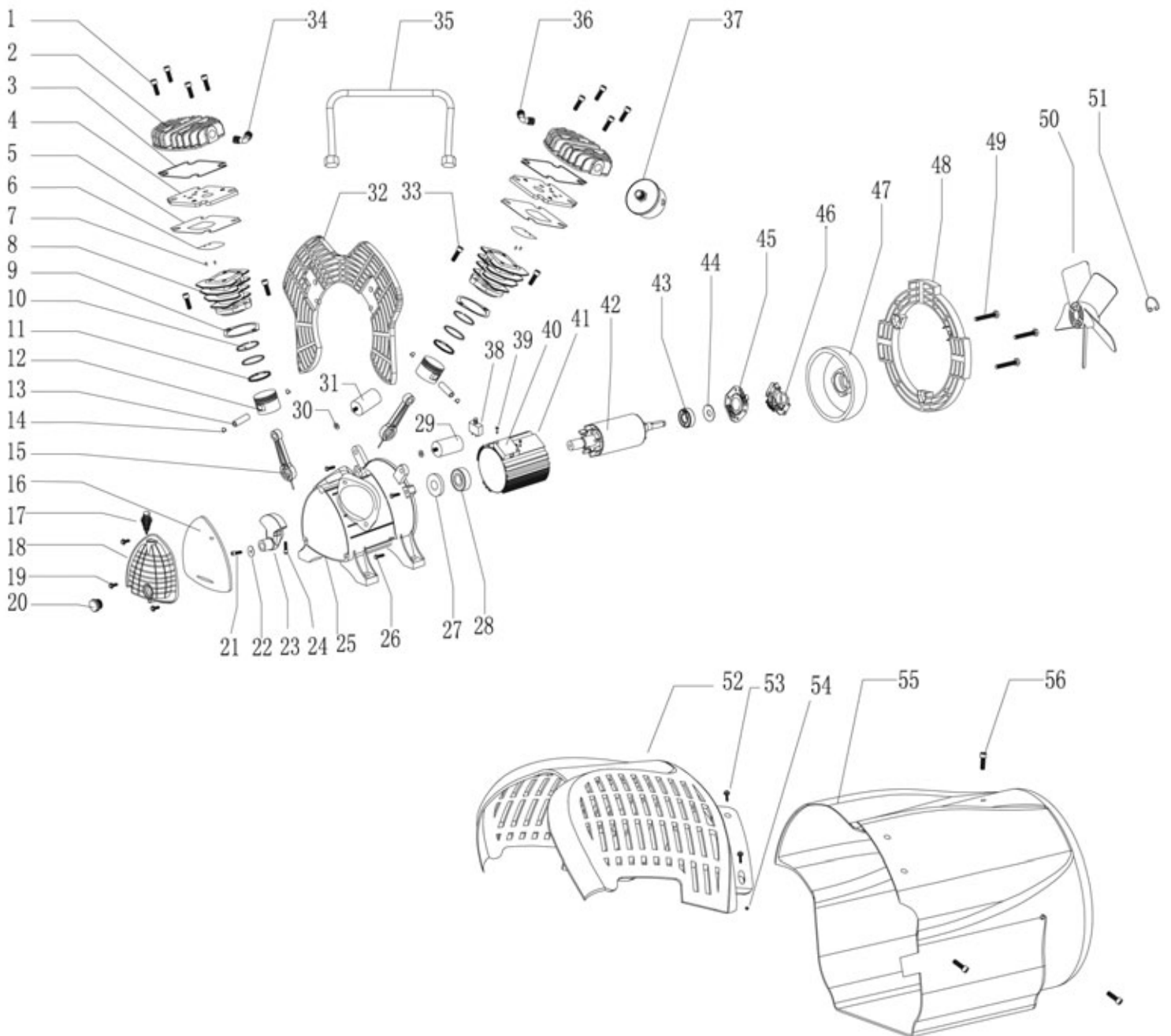


SPARE PARTS DRAWING SHEET FOR

50L Twin V Oiled Air Compressor

Stock No.29355

Part No.DA50/412TV



Helpline: (023) 8049 4344. **Sales Desk:** (023) 8049 4333. **General Enquiries:** (023) 8026 6355.

DRAPER TOOLS LTD, HURSLEY ROAD, CHANDLER'S FORD, EASTLEIGH, HANTS. SO53 1YF U.K website: www.drapertools.com e-mail: sales@drapertools.com

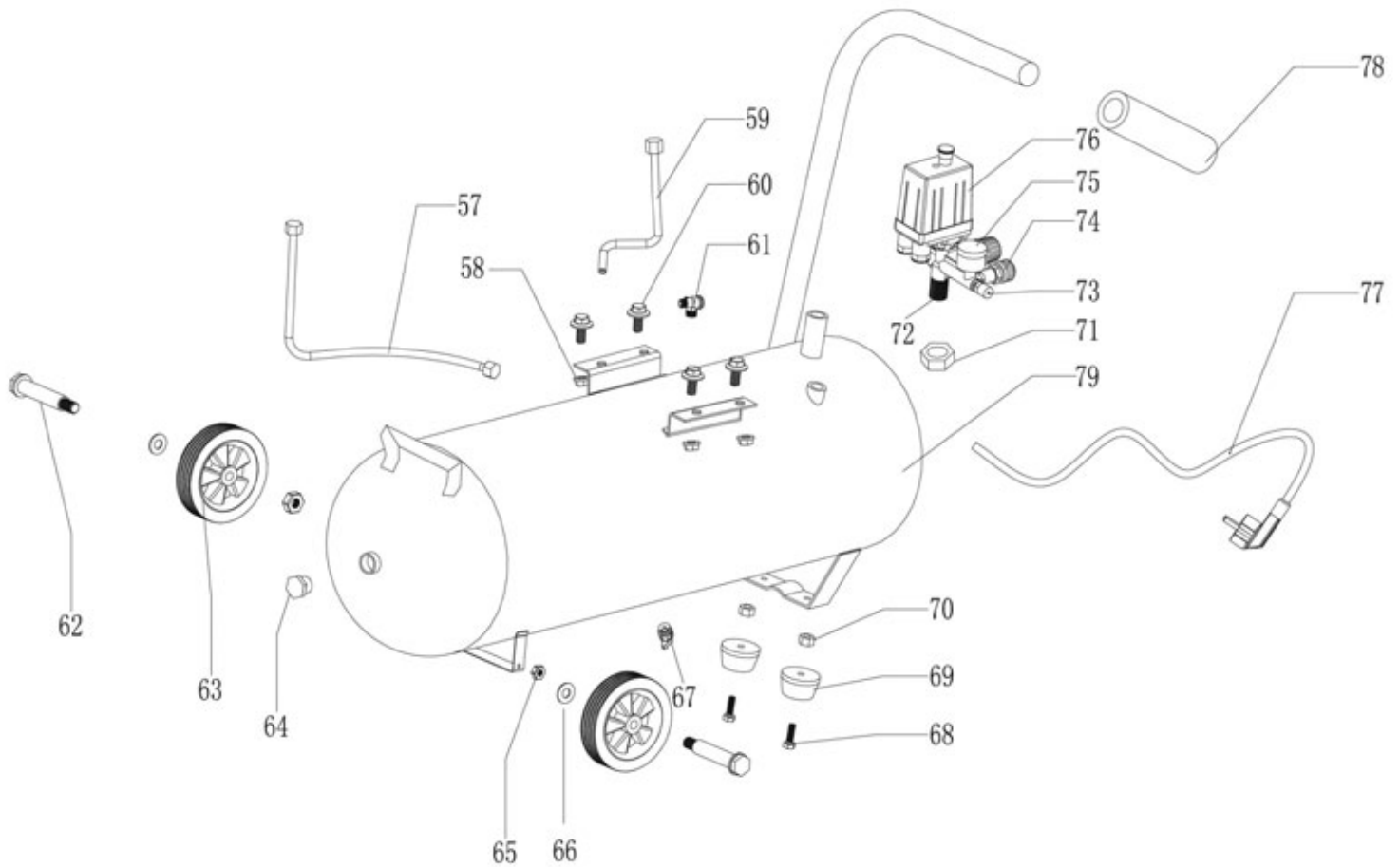
RWCH051212



SPARE PARTS DRAWING SHEET FOR
**50L Twin V
Oiled Air Compressor**

Stock No.29355

Part No.DA50/412TV



Helpline: (023) 8049 4344. **Sales Desk:** (023) 8049 4333. **General Enquiries:** (023) 8026 6355.

DRAPER TOOLS LTD, HURSLEY ROAD, CHANDLER'S FORD, EASTLEIGH, HANTS. SO53 1YF. U.K website: www.drapertools.com e-mail: sales@drapertools.com

RWCH040113