



SPARE PARTS LISTING SHEET FOR

**230V 100L**

# Belt Driven Air Compressor

Stock No.31254

Part No.DA100/330

KEY No.	PART No.	STOCK No.	DESCRIPTION
1	CDA100/330-01	35358	O-ring.
2	CDA100/330-02	35363	Oil plug.
3	CDA100/330-03	35366	End cap.
4	CDA100/330-04	35379	Pressure regulator.
5	CDA100/330-05	35380	Safety valve.
6	CDA100/330-06	35388	Release valve.
7	CDA100/330-07	35390	Pressure gauge.
8	CDA100/330-08	35393	Pressure switch.
9	CDA100/330-09	35398	Pipe.
10	CDA100/330-10	35399	Bearing.
11	CDA100/330-11	35401	Oil baffle plate.
12	CDA100/330-12	35405	O-ring.
13	CDA100/330-13	35407	Bearing.
14	CDA100/330-14	35409	Bolt.
15	CDA100/330-15	35410	Plug & cable.
16	CDA100/330-16	35419	Cable.
17	CDA100/330-17	35426	Plug.
18	CDA100/330-18	35427	One-way valve.
19	CDA100/330-19	35429	Elbow.
20	CDA100/330-20	35430	Axle set.
21	CDA100/330-21	35431	Wheel.
22	CDA100/330-22	35432	Drain valve.
23	CDA100/330-23	35433	Bolt.
24	CDA100/330-24	35434	Rubber pad.
25	CDA100/330-25	35436	Nut.
26	CDA100/330-26	35449	Tank.
27	CDA100/330-27	35452	Handle.
28	CDA100/330-28	35453	Bolt.
29	CDA100/330-29	35454	Guard.
30	CDA100/330-30	35455	Spacer pad.
31	CDA100/330-31	35458	Spacer.
32	CDA100/330-32	35459	Washer.
33	CDA100/330-33	35460	Bolt.
34	CDA100/330-34	35461	Belt.
35	CDA100/330-35	35462	Motor pulley.
36	CDA100/330-36	35471	Motor.

KEY No.	PART No.	STOCK No.	DESCRIPTION
37	CDA100/330-37	35472	Bolt.
38	CDA100/330-38	35473	Thermal protector.
39	CDA100/330-39	35474	Bolt.
40	CDA100/330-40	35475	Washer.
41	CDA100/330-41	35476	Pulley.
42	CDA100/330-42	35482	Capacitor.
43	CDA100/330-43	35487	Capacitor.
44	CDA100/330-44	35488	Bolt.
45	CDA100/330-45	35490	Bearing.
46	CDA100/330-46	35491	O-ring.
47	CDA100/330-47	35492	O-ring.
48	CDA100/330-48	35494	Bearing.
49	CDA100/330-49	35495	Lid.
50	CDA100/330-50	35496	Crankcase.
51	CDA100/330-51	35497	Crank shaft.
52	CDA100/330-52	35498	O-ring.
53	CDA100/330-53	35499	Link.
54	CDA100/330-54	35500	Piston pin.
55	CDA100/330-55	35501	Circlip.
56	CDA100/330-56	35502	Piston pin.
57	CDA100/330-57	35503	O-ring.
58	CDA100/330-58	35504	O-ring.
59	CDA100/330-59	35505	Elbow.
60	CDA100/330-60	35506	Bolt.
61	CDA100/330-61	35507	Pipe.
62	CDA100/330-62	35510	Cylinder.
63	CDA100/330-63	35511	Pin.
64	CDA100/330-64	35512	Valve.
65	CDA100/330-65	35514	Valve plate pad.
66	CDA100/330-66	35515	Valve plate.
67	CDA100/330-67	35516	O-ring.
68	CDA100/330-68	35517	Cylinder.
69	CDA100/330-69	35520	Bolt.
70	CDA100/330-70	35572	Cylinder head cover.
71	CDA100/330-71	35583	Bolt.
72	CDA100/330-72	35599	Air filter.

**Helpline: (023) 8049 4344. Sales Desk: (023) 8049 4333. General Enquiries: (023) 8026 6355.**

DRAPER TOOLS LTD, HURSLEY ROAD, CHANDLER'S FORD, EASTLEIGH, HANTS. SO53 1YF. U.K website: www.drapertools.com e-mail: sales@drapertools.co m

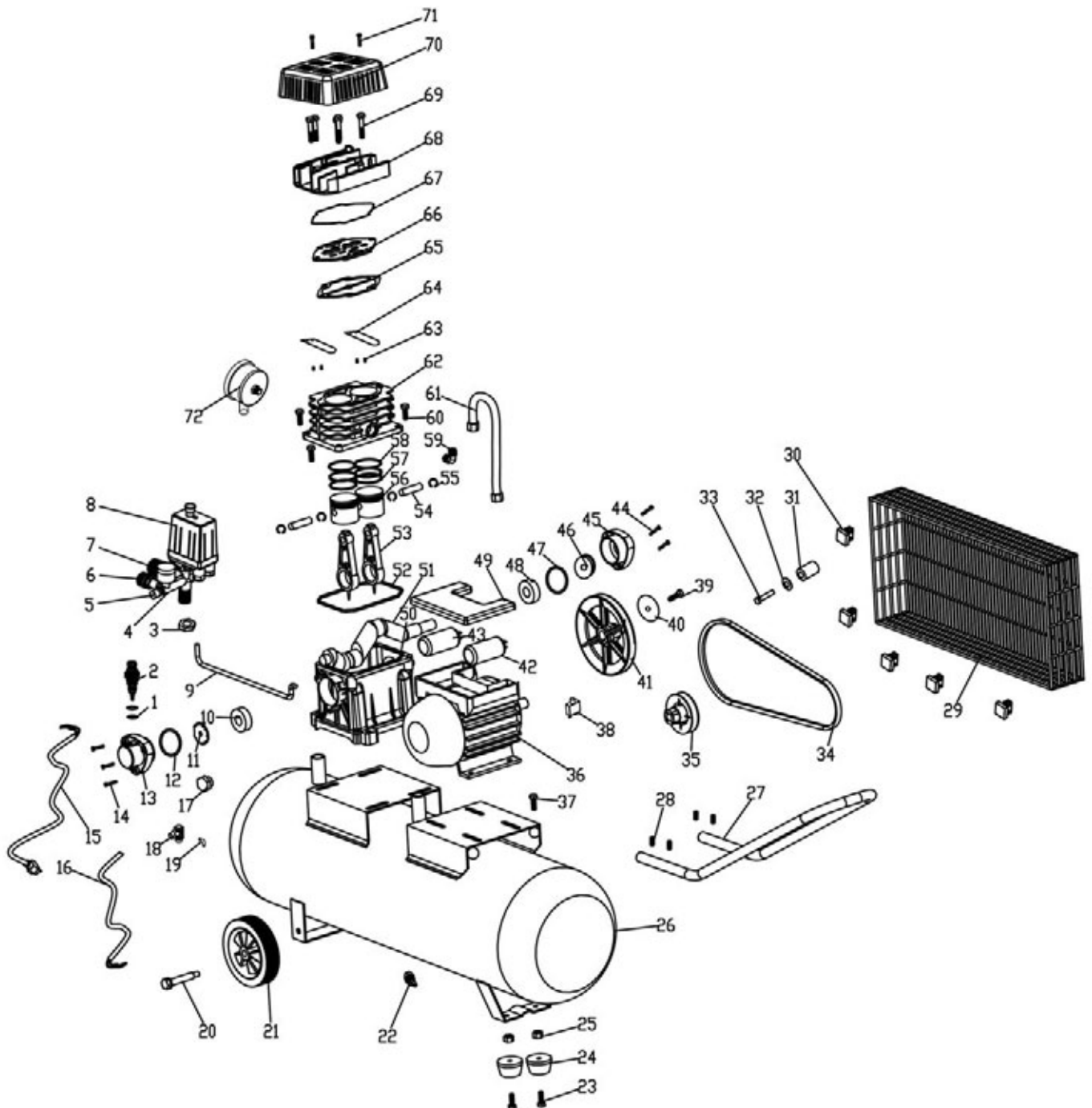


SPARE PARTS DRAWING SHEET FOR

# 230V 100L Belt Driven Air Compressor

Stock No.31254

Part No.DA100/330



**Helpline:** (023) 8049 4344. **Sales Desk:** (023) 8049 4333. **General Enquiries:** (023) 8026 6355.

DRAPER TOOLS LTD, HURSLEY ROAD, CHANDLER'S FORD, EASTLEIGH, HANTS. SO53 1YF. U.K website: [www.drapertools.com](http://www.drapertools.com) e-mail: [sales@drapertools.co.uk](mailto:sales@drapertools.co.uk)

RWJP090813