



PETROL  
**BLOWER/  
VAC**  
32301

**SPARE PARTS LISTING SHEET**

KEY NO.	PART NO.	STOCK NO.	DESCRIPTION
1	Y-BVP26-01	40110	Screw
2	Y-BVP26-02	40129	Washer
3	Y-BVP26-03	40210	Washer
4	Y-BVP26-04	40271	Plug cap
5	Y-BVP26-05	40427	Click spring
6	Y-BVP26-06	40432	Plug
7	Y-BVP26-07	40458	Muffler
8	Y-BVP26-08	40460	Muffler gasket
9	Y-BVP26-09	40461	Screw
10	Y-BVP26-10	40463	Washer
11	Y-BVP26-11	40464	Washer
12	Y-BVP26-12	40473	Rubber plug
13	Y-BVP26-13	40777	Screw
14	Y-BVP26-14	40782	Magneto stator
15	Y-BVP26-15	40800	Heat insulation pad
16	Y-BVP26-16	40808	Cylinder
17	Y-BVP26-17	40881	Cylinder
18	Y-BVP26-18	40883	Piston ring
19	Y-BVP26-19	40894	Piston
20	Y-BVP26-20	40895	Piston pin
21	Y-BVP26-21	40906	Piston pin
23	Y-BVP26-23	40927	Needle bearing
24	Y-BVP26-24	40936	Nut
25	Y-BVP26-25	41050	Washer
26	Y-BVP26-26	41207	Magneto rotor
27	Y-BVP26-27	41209	Screw
28	Y-BVP26-28	41210	Oil seal
29	Y-BVP26-29	41211	Front half crank case

KEY NO.	PART NO.	STOCK NO.	DESCRIPTION
30	Y-BVP26-30	41255	Annul
31	Y-BVP26-31	41288	Ball bearing
32	Y-BVP26-32	41298	Crank case gasket
33	Y-BVP26-33	41312	Key
34	Y-BVP26-34	41313	Crank shaft complete
35	Y-BVP26-35	41316	Rear half crank case
36	Y-BVP26-36	41319	Starter pulley
37	Y-BVP26-37	41320	Starter pawl spring
38	Y-BVP26-38	41323	Starter pawl
39	Y-BVP26-39	41329	Cylinder washer
40	Y-BVP26-40	41330	Slab
41	Y-BVP26-41	41331	Inlet manifold
42	Y-BVP26-42	41333	Screw
43	Y-BVP26-43	41334	Pull rod
44	Y-BVP26-44	41335	Pull rod cover
45	Y-BVP26-45	41337	Sealing washer
46	Y-BVP26-46	41340	Inlet manifold
47	Y-BVP26-47	41342	Sealing washer
48	Y-BVP26-48	41343	Carburettor
49	Y-BVP26-49	41344	Cleaner inside cover
50	Y-BVP26-50	41345	Choke
51	Y-BVP26-51	41346	Baffle
52	Y-BVP26-52	41348	Screw
53	Y-BVP26-53	41355	Cleaner element
54	Y-BVP26-54	41356	Cleaner outside cover
55	Y-BVP26-55	41358	Screw
64	Y-BVP26-64	41364	Starter
65	Y-BVP26-65	41374	Cylinder washer

**Helpline: (023) 8049 4344. Sales Desk: (023) 8049 4333. General Enquiries: (023) 8026 6355.**

DRAPER TOOLS LTD, HURSLEY ROAD, CHANDLER'S FORD, EASTLEIGH, HANTS. SO53 1YF. U.K website: drapertools.com e-mail: sales@drapertools.com

KCCH0117



PETROL  
**BLOWER/  
 VAC**  
 32301

**SPARE PARTS LISTING SHEET**

KEY NO.	PART NO.	STOCK NO.	DESCRIPTION
1	Y-BVP26-66	43212	Pipe
2	Y-BVP26-67	43213	Pipe
3	Y-BVP26-68	43217	Hoop
4	Y-BVP26-69	43245	Screw
5	Y-BVP26-70	43272	Washer
6	Y-BVP26-71	43295	Link board
7	Y-BVP26-72	43311	Screw
8	Y-BVP26-73	43313	Switch carapace
9	Y-BVP26-74	43314	Switch
10	Y-BVP26-75	43315	Switch antenna
11	Y-BVP26-76	43346	Volute case
12	Y-BVP26-77	43365	Washer
13	Y-BVP26-78	43366	Screw
14	Y-BVP26-79	43368	Net cover
15	Y-BVP26-80	43369	Spring screw
16	Y-BVP26-81	43371	Spring
17	Y-BVP26-82	43373	Nut
18	Y-BVP26-83	43378	Comminute board
19	Y-BVP26-84	43639	impeller
20	Y-BVP26-85	43677	link shaft
21	Y-BVP26-86	43744	Volute case
22	Y-BVP26-87	43767	Support
23	Y-BVP26-88	43792	Support
24	Y-BVP26-89	43800	Tube
25	Y-BVP26-90	43801	Plug
26	Y-BVP26-91	43804	Fuel tube
27	Y-BVP26-92	43806	Filter
28	Y-BVP26-93	43809	Fuel tank lid

KEY NO.	PART NO.	STOCK NO.	DESCRIPTION
29	Y-BVP26-94	43812	Lid
30	Y-BVP26-95	43813	Sealing washer
31	Y-BVP26-96	43814	End cover
32	Y-BVP26-97	43815	Air valve
33	Y-BVP26-98	43816	Chain
34	Y-BVP26-99	43817	Fuel tank
35	Y-BVP26-100	43818	Fuel tank pad
36	Y-BVP26-101	43819	Screw
37	Y-BVP26-102	43820	Drag board
38	Y-BVP26-103	43821	Hand grip
39	Y-BVP26-104	43822	Drag board
40	Y-BVP26-105	43823	Protection
41	Y-BVP26-106	43824	Handle cover
42	Y-BVP26-107	43826	Handle
43	Y-BVP26-108	43827	Switch
44	Y-BVP26-109	43830	Rubber plug
45	Y-BVP26-110	43832	Handle cover
46	Y-BVP26-111	43834	Stop switch
47	Y-BVP26-112	43836	Fuel throttle
48	Y-BVP26-113	43837	Collect plug
49	Y-BVP26-114	43857	Stop wire
50	Y-BVP26-115	44020	Stop switch
51	Y-BVP26-116	44260	Switch grommet
52	Y-BVP26-117	44301	Pipe
53	Y-BVP26-118	44319	Pipe
54	Y-BVP26-119	44335	Sealing washer 3.15 x 1.8
55	Y-BVP26-120	44343	Heat insulating pad

**Helpline: (023) 8049 4344. Sales Desk: (023) 8049 4333. General Enquiries: (023) 8026 6355.**

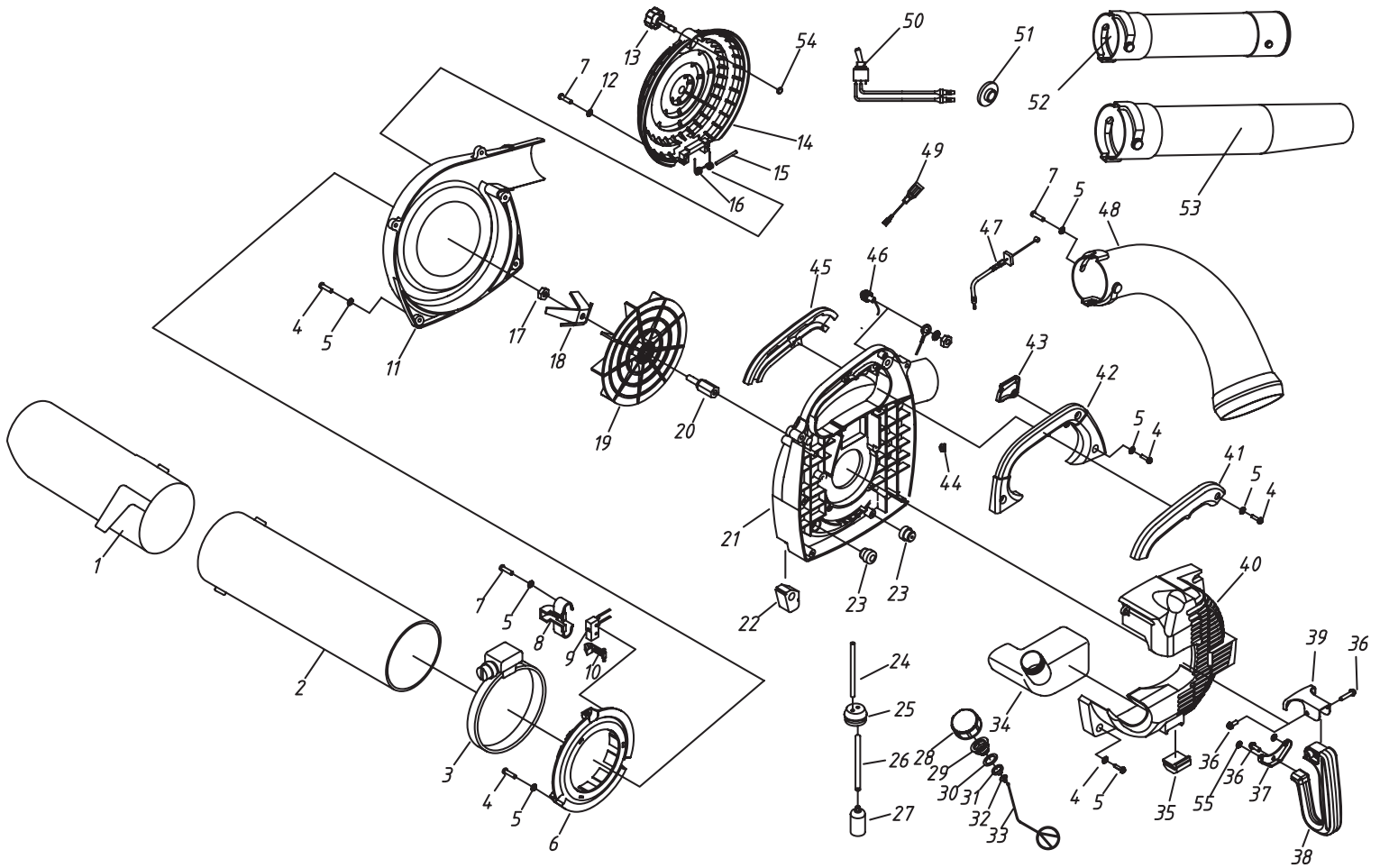
DRAPER TOOLS LTD, HURSLEY ROAD, CHANDLER'S FORD, EASTLEIGH, HANTS. SO53 1YF. U.K website: drapertools.com e-mail: sales@drapertools.com



# PETROL BLOWER/ VAC

32301

## SPARE PARTS DRAWING SHEET



**Helpline:** (023) 8049 4344. **Sales Desk:** (023) 8049 4333. **General Enquiries:** (023) 8026 6355.

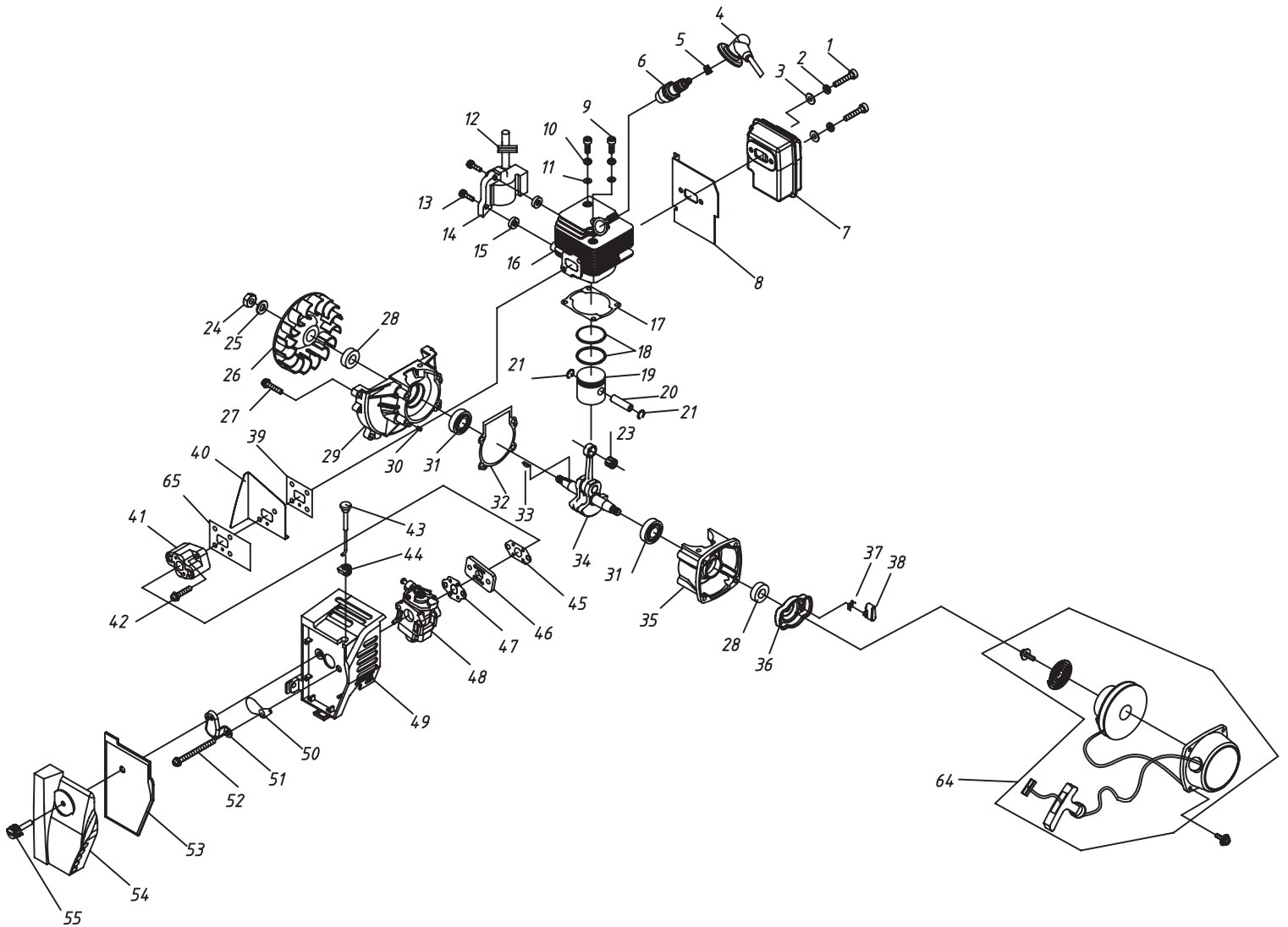
DRAPER TOOLS LTD, HURSLEY ROAD, CHANDLER'S FORD, EASTLEIGH, HANTS. SO53 1YF. U.K website: drapertools.com e-mail: sales@drapertools.com

KCCH0117



PETROL  
**BLOWER/  
VAC**  
32301

**SPARE PARTS DRAWING SHEET**



**Helpline: (023) 8049 4344. Sales Desk: (023) 8049 4333. General Enquiries: (023) 8026 6355.**

DRAPER TOOLS LTD, HURSLEY ROAD, CHANDLER'S FORD, EASTLEIGH, HANTS. SO53 1YF. U.K website: drapertools.com e-mail: sales@drapertools.com

KCCH0117