



PETROL
**HEDGE
TRIMMER**
32319

SPARE PARTS LISTING SHEET
(ENGINE/CUTTING HEAD ASSEMBLY)

| KEY NO. | PART NO. | STOCK NO. | DESCRIPTION |
|---------|---------------|-----------|------------------|
| 1 | YGP-HTP256-1 | 44690 | Engine |
| 2 | YGP-HTP256-2 | 44806 | Clutch drum |
| 3 | YGP-HTP256-3 | 44910 | Gear assembly |
| 4 | YGP-HTP256-4 | 44947 | Grease nipple |
| 5 | YGP-HTP256-5 | 44967 | Screw M6 x 16 |
| 6 | YGP-HTP256-6 | 45002 | Bearing 6001 |
| 7 | YGP-HTP256-7 | 45283 | Bearing 608 |
| 8 | YGP-HTP256-8 | 45308 | Gear pinion |
| 9 | YGP-HTP256-9 | 45319 | Passive gear |
| 10 | YGP-HTP256-10 | 45320 | Connecting rod |
| 11 | YGP-HTP256-11 | 45321 | Nut |
| 12 | YGP-HTP256-12 | 45345 | Connecting plate |
| 13 | YGP-HTP256-13 | 45367 | Nut M6 |
| 14 | YGP-HTP256-14 | 45379 | Screw M6 x 35 |
| 15 | YGP-HTP256-15 | 45383 | Front handle |
| 16 | YGP-HTP256-16 | 45407 | Guard tooth |

| KEY NO. | PART NO. | STOCK NO. | DESCRIPTION |
|---------|---------------|-----------|-------------------|
| 17 | YGP-HTP256-17 | 45427 | Blade layering |
| 18 | YGP-HTP256-18 | 45429 | Upper blade |
| 19 | YGP-HTP256-19 | 45436 | Bottom blade |
| 20 | YGP-HTP256-20 | 45448 | Washer |
| 21 | YGP-HTP256-21 | 45451 | Screw M6 x 16 |
| 22 | YGP-HTP256-22 | 45455 | Screw M6 x 20 |
| 23 | YGP-HTP256-23 | 45490 | Screw M3 x 5 |
| 24 | YGP-HTP256-24 | 45497 | Anti wear gasket |
| 25 | YGP-HTP256-25 | 45498 | Felt |
| 26 | YGP-HTP256-26 | 45500 | Gear assembly cap |
| 27 | YGP-HTP256-27 | 45502 | Screw M5 x 25 |
| 28 | YGP-HTP256-28 | 45503 | Screw M5 x 20 |
| 29 | YGP-HTP256-29 | 45572 | Screw M6 x 50 |
| 30 | YGP-HTP256-30 | 45815 | Rear handle |
| 31 | YGP-HTP256-31 | 45817 | Screw M6 x 35 |
| 32 | YGP-HTP256-32 | 45825 | Blade sheath |

Helpline: (023) 8049 4344. Sales Desk: (023) 8049 4333. General Enquiries: (023) 8026 6355.

DRAPER TOOLS LTD, HURSLEY ROAD, CHANDLER'S FORD, EASTLEIGH, HANTS. SO53 1YF. U.K website: drapertools.com e-mail: sales@drapertools.com

KCCH0117



PETROL
**HEDGE
 TRIMMER**
 32319

**SPARE PARTS LISTING SHEET
 (ENGINE)**

| KEY NO. | PART NO. | STOCK NO. | DESCRIPTION |
|---------|---------------|-----------|-------------------------|
| 33 | YGP-HTP256-33 | 50764 | Cylinder |
| 34 | YGP-HTP256-34 | 50768 | Sealing washer |
| 35 | YGP-HTP256-35 | 50771 | Spring washer 5 |
| 36 | YGP-HTP256-36 | 50785 | Spring washer 5 |
| 37 | YGP-HTP256-37 | 50825 | Screw M5 x 20 |
| 38 | YGP-HTP256-38 | 50836 | Cylinder side washer |
| 39 | YGP-HTP256-39 | 50837 | Inlet mag |
| 40 | YGP-HTP256-40 | 50943 | Carburettor side washer |
| 41 | YGP-HTP256-41 | 50948 | Screw assembly M5 x 20 |
| 42 | YGP-HTP256-42 | 50993 | Muffler |
| 43 | YGP-HTP256-43 | 51069 | Screw M5 x 55 |
| 44 | YGP-HTP256-44 | 51086 | Muffler washer |
| 45 | YGP-HTP256-45 | 51090 | Flash pan |
| 46 | YGP-HTP256-46 | 51120 | Screw M4 x 12 |
| 47 | YGP-HTP256-47 | 51128 | Cylinder cover |
| 48 | YGP-HTP256-48 | 51151 | Plug cover |
| 49 | YGP-HTP256-49 | 51164 | Screw assembly M5 x 14 |
| 50 | YGP-HTP256-50 | 51167 | Spark plug BMR6A |
| 51 | YGP-HTP256-51 | 51175 | Wire |
| 52 | YGP-HTP256-52 | 51186 | Orientation pin |
| 53 | YGP-HTP256-53 | 51277 | Fan cover |
| 54 | YGP-HTP256-54 | 51278 | Stator |
| 55 | YGP-HTP256-55 | 51284 | Rotor |
| 56 | YGP-HTP256-56 | 51325 | Clutch step screw |
| 57 | YGP-HTP256-57 | 51340 | Clutch washer |
| 58 | YGP-HTP256-58 | 51355 | Clutch shoe |
| 59 | YGP-HTP256-59 | 51376 | Clutch shoe seat |
| 60 | YGP-HTP256-60 | 51378 | Washer |
| 61 | YGP-HTP256-61 | 51380 | Nut M8 |
| 62 | YGP-HTP256-62 | 51391 | Screw M5 x 25 |
| 63 | YGP-HTP256-63 | 51394 | Front half crankcase |

| KEY NO. | PART NO. | STOCK NO. | DESCRIPTION |
|---------|---------------|-----------|------------------------|
| 64 | YGP-HTP256-64 | 51419 | Rear half crankcase |
| 65 | YGP-HTP256-65 | 51430 | Crankcase gasket |
| 66 | YGP-HTP256-66 | 51432 | Oil seal 12 x 22 x 7 |
| 67 | YGP-HTP256-67 | 51433 | Bearing 6001/P5 |
| 68 | YGP-HTP256-68 | 51437 | Key |
| 69 | YGP-HTP256-69 | 51438 | Piston ring |
| 70 | YGP-HTP256-70 | 51503 | Piston |
| 71 | YGP-HTP256-71 | 51514 | Needle bearing |
| 72 | YGP-HTP256-72 | 51515 | Piston ring |
| 73 | YGP-HTP256-73 | 51544 | Stop washer |
| 74 | YGP-HTP256-74 | 51547 | Piston ring circlip |
| 75 | YGP-HTP256-75 | 51978 | Crankshaft |
| 76 | YGP-HTP256-76 | 51589 | Start pulley assembly |
| 77 | YGP-HTP256-77 | 51590 | Starter assembly |
| 78 | YGP-HTP256-78 | 51680 | Carburettor |
| 79 | YGP-HTP256-79 | 51682 | Cleaner inside cover |
| 80 | YGP-HTP256-80 | 51683 | Screw assembly M5 x 55 |
| 81 | YGP-HTP256-81 | 51684 | Cleaner element |
| 82 | YGP-HTP256-82 | 51708 | Cleaner outside cover |
| 83 | YGP-HTP256-83 | 51714 | Big needle screw |
| 84 | YGP-HTP256-84 | 51725 | Tank cap |
| 85 | YGP-HTP256-85 | 51726 | Fuel tank |
| 86 | YGP-HTP256-86 | 51728 | Washer 5 |
| 87 | YGP-HTP256-87 | 51732 | Screw M5 x 20 |
| 88 | YGP-HTP256-88 | 51745 | Screw M5 x 16 |
| 89 | YGP-HTP256-89 | 51757 | Filter |
| 90 | YGP-HTP256-90 | 51802 | Rubber stopper |
| 91 | YGP-HTP256-91 | 51851 | Fuel pipe |
| 92 | YGP-HTP256-92 | 51858 | In fuel pipe |
| 93 | YGP-HTP256-93 | 51864 | Screw assembly M4 x 16 |
| 94 | YGP-HTP256-94 | 51868 | Plug protector |

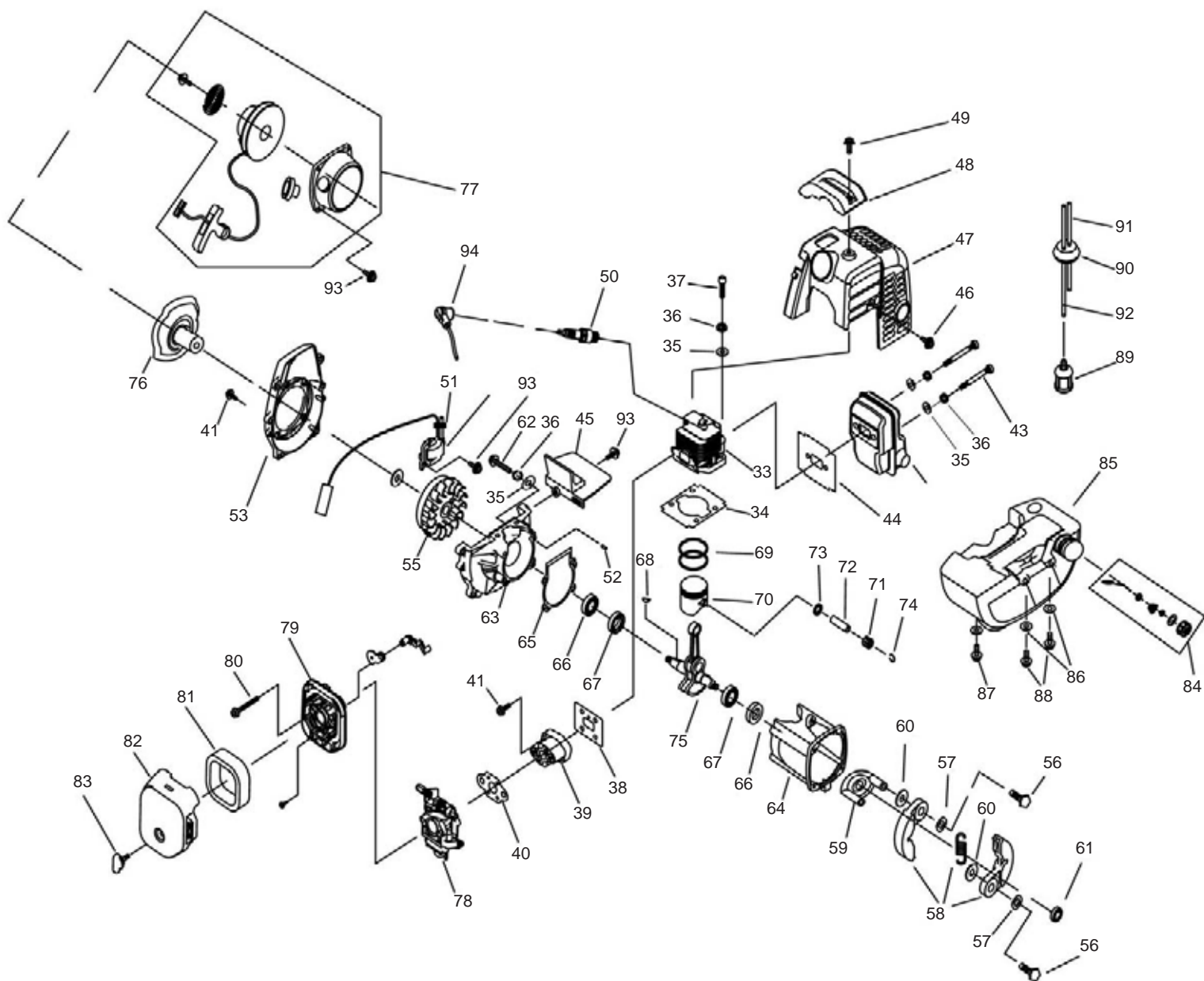
Helpline: (023) 8049 4344. Sales Desk: (023) 8049 4333. General Enquiries: (023) 8026 6355.



PETROL HEDGE TRIMMER

32319

SPARE PARTS DRAWING SHEET (ENGINE)



Helpline: (023) 8049 4344. Sales Desk: (023) 8049 4333. General Enquiries: (023) 8026 6355.

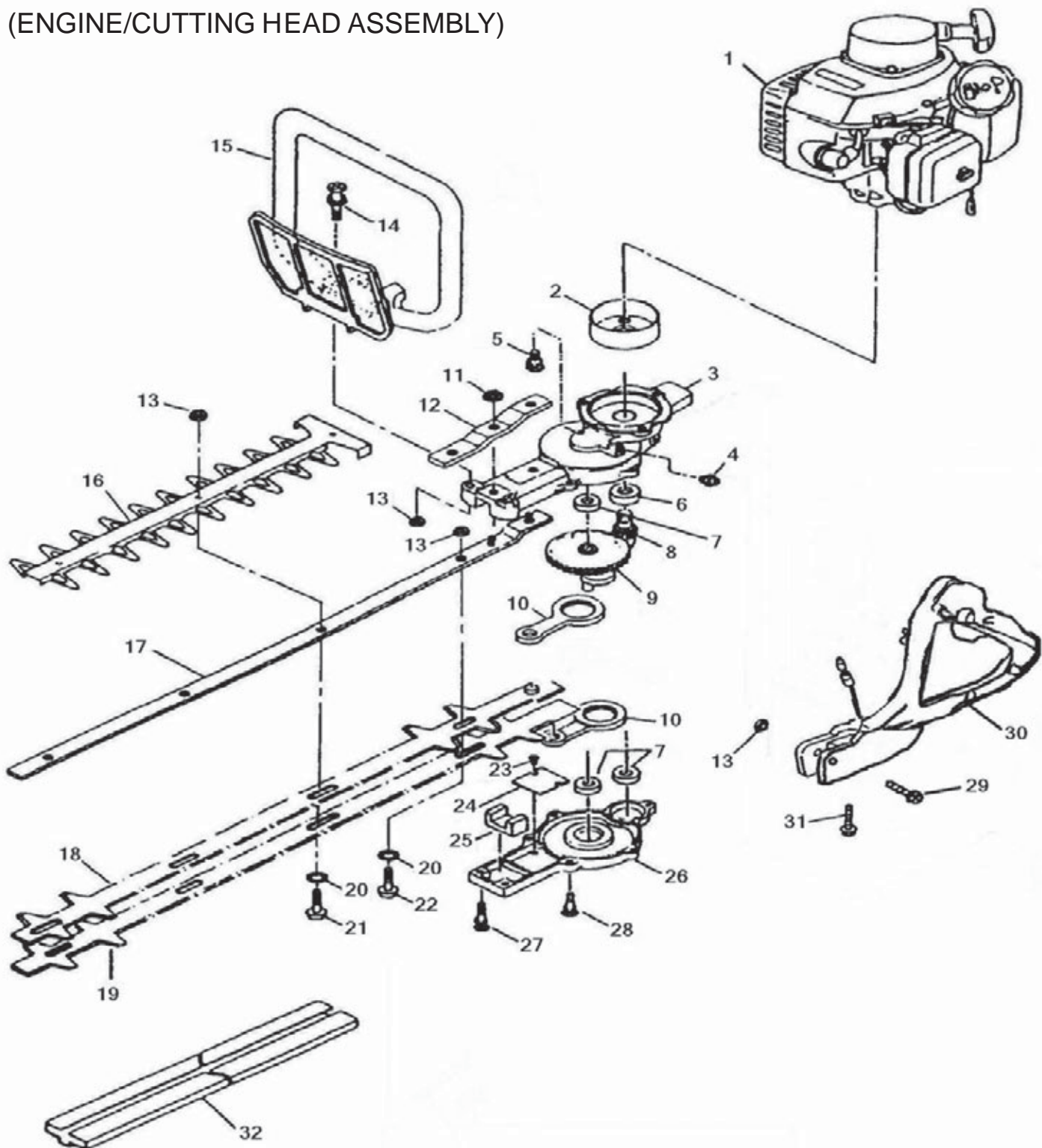
DRAPER TOOLS LTD, HURSLEY ROAD, CHANDLER'S FORD, EASTLEIGH, HANTS. SO53 1YF. U.K website: drapertools.com e-mail: sales@drapertools.com


DRAPER[®]

PETROL HEDGE TRIMMER

32319

SPARE PARTS DRAWING SHEET
(ENGINE/CUTTING HEAD ASSEMBLY)



Helpline: (023) 8049 4344. Sales Desk: (023) 8049 4333. General Enquiries: (023) 8026 6355.

DRAPER TOOLS LTD, HURSLEY ROAD, CHANDLER'S FORD, EASTLEIGH, HANTS, SO53 1YE, U.K. website: drapertools.com e-mail: sales@drapertools.com