



7 Day Digital Timer

Stock No.44912

Part No.DT2

INSTRUCTIONS

09/2015



SPECIFICATION

The Draper Tools policy of continuous improvement determines the right to change specification without notice.

Stock No.	44912
Part No.	DT2
Rated input.....	240V~50Hz
Max. output	2000W
IP Rating	IP20
Working Temperature	0 - 55° C
Time Setting Interval	1 Minute

IMPORTANT NOTICE:

Before first use, connect to mains supply for a minimum of 2 hours to charge the internal battery unit and then depress the "RESET" button to turn on the timer.

The internal battery allows the unit to retain the programmed instructions in case of a power cut.



SAFETY PRECAUTION

- This Timer is for indoor use only, DO NOT use outdoors.
- Appliance to be plugged into the Timer must have the same voltage and frequency ratings as in "Specification".
- The batteries will be fully charged in 2 hours after connection to mains power.



FUNCTIONS

- The Programmable Digital Timer (hereinafter referred as "Timer") can preset specific on/off time of your home electrical appliances, e.g. using in coffee machine, lamps. It is ideal for energy saving and home security.
- The countdown function can switch on/off your appliance on your pre-set time and random functions allows you to switch on and off the appliance in irregular time, it is ideal for home automation, also prevent burglary during your absence.
- The LCD displays program setting status and real time.
- With maximum 140 on/off programs per week.

DRAPER[®]

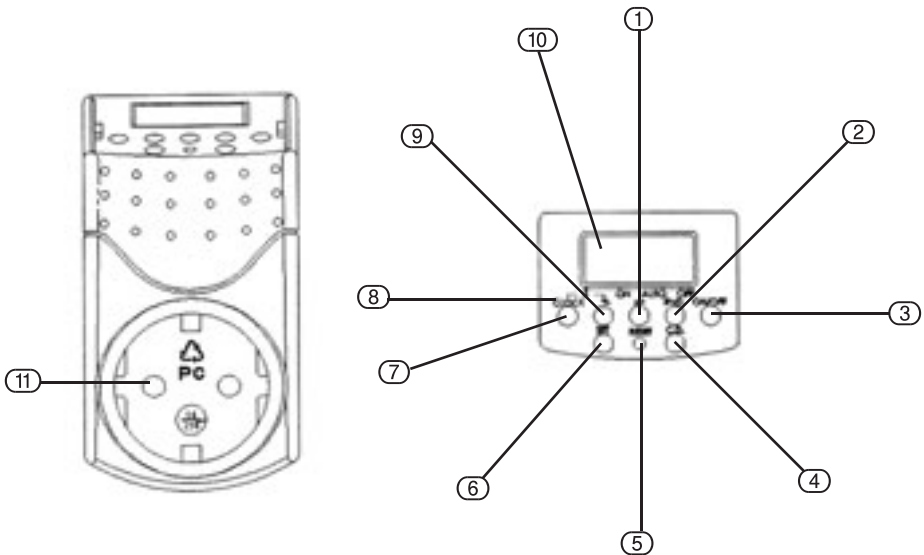
7 Day Digital Timer

Stock No.44912

Part No.DT2

INSTRUCTIONS**09/2015****DRAPER**[®]

GETTING TO KNOW YOUR DIGITAL TIMER



① ^+ button.

② RND button.

③ On/Off button.

④ CD button.

⑤ Reset button.

⑥ SET button.

⑦ CLOCK button.

⑧ S - silk screen printing.

⑨ v- button.

⑩ LCD Display.

⑪ Socket & Plug.



7 Day Digital Timer

Stock No.44912

Part No.DT2

INSTRUCTIONS

09/2015



TIME DISPLAY

There are two different kinds of time displays:

- 12 Hour display: The digital number is from 12:00 to 11:59 with AM or PM shown on the LCD.
- 24 Hour display: The digital number is from 00:00 to 23:59, no AM or PM is shown on the LED.
- To change from 12 hour display to 24 hour display, or vice versa, press CLOCK Button and hold it till the LCD display changes. Press CLOCK Button again to return to original display.



WEEK & TIME SETTING

Week Setting

- Press and hold the SET Button until the week display flashes, which indicates setting is ready
- Press ^+ Button to increase the day, or v- Button to reduce the day, the sequence of the display is shown as follows:

→Mo→Tu→We→Th→Fr→Sa→Su→

- Press ^+/v- Button once will increase or reduce the day by sequence slowly. To press and hold the button, the week display moves quickly. Release the button until your desired day of the week shown on the display. Press SET Button to confirm your setting.

Time setting

- After setting the day of the week, hour display flashes to indicate setting time can be started.
- Press ^+ Button to increase number of hour, or v- Button to reduce hour.
- Press ^+/v- Button once will increase or reduce each hour slowly. To press and hold the button, the hour display moves quickly. Release the button until your desired hour shown on the display. Press SET Button to confirm your setting.
- "Minute" display then flashes to indicate setting minute is ready. Repeat the same procedures in setting hour as mentioned above to set minutes.

Summer Time Setting

- Press CLOCK Button and v- Button at the same time to change to summer time, time display automatically adds one hour and "S" is shown on the LCD.
- By pressing Clock Button and v- Button again to cancel the summer time setting.

Note: LCD must be in real time display to start week and time setting. If LCD is in program setting display, press CLOCK Button once to return to real time display.

**DRAPER**[®]

7 Day Digital Timer

Stock No.44912

Part No.DT2

INSTRUCTIONS**09/2015****DRAPER**[®]

COUNTDOWN SETTING

- When the LCD is in real time display, press \vee - Button once to change to countdown setting display, "d ON (or OFF)" will be shown on the lower left corner of the LCD.
- "d": indicates the program is in countdown mode.
- "ON": counting down the power on time.
- "OFF": counting down the power off time.
- Press SET Button until the on/off display flashes, setting the countdown power on/off status is ready.
- Press \wedge / \vee - Button to chose countdown on/off program and press SET Button to confirm.
- Hour display flashes after setting the on/off status, then press \wedge / \vee - Button to increase or reduce hour and press SET Button to confirm.
- Minute display then flashes, press \wedge / \vee - Button to increase or reduce minute and press SET Button to confirm.
- Second display flashes, press \wedge / \vee - Button to increase or reduce the hour display and press SET Button to confirm. Setting interval is from 99:59:59 to 1 second.
- Connect the Timer to the AC socket and set the Timer to AUTO status in order to start/stop the countdown functions.
- Press CD Button once to start the countdown function, "d ON (or OFF)" flashes in the lower corner of the LCD to indicate countdown is in progress. Press CD Button again to stop the countdown function.

Note:

- When countdown is in progress, LCD is in real time displays, press Button once to view the countdown details.
- To change a preset program, repeat the above procedures and input the new data to replace the old setting.
- After program setting, press CLOCK Button to return to clock display at once, or it will be returned automatically after 15 seconds without pressing any other buttons.

**DRAPER**[®]

RANDOM SETTING

- Random function turns on and off the appliance irregularly:
- Minimum time for power off: 26 minutes
- Maximum time for power off: 42 minutes
- Minimum time for power on: 10 minutes
- Maximum time for power on: 26 minutes
- Connect the Timer to the AC socket and set the program to AUTO status in order to start/stop the random function.
- Press RND Button once, "r OFF" is flashing in the lower corner of the LCD, random function is activated. Power is off for 26 to 42 minutes. The mode will change to "r ON", where power turns on from 10 to 26. Then back to "r OFF" again.
- Press RND Button again can stop the random function, "r OFF" or "r ON" disappears from the LCD



7 Day Digital Timer

Stock No.44912

Part No.DT2

INSTRUCTIONS

09/2015



PROGRAM SETTING

- When the LCD is in real time display, press ^+ Button once to change to program setting display, "1ON" will be shown on the lower left corner of the LCD:
- "1" indicates the program group's number (program group is from 1 to 14).
- "ON" indicates power on time.
- "OFF" indicates power off time.
- To choose the program group and on/off status, press ^+ Button to increase the group number, sequence as follows:

→1ON→1OFF→20ON→ 20OFF→ d ON/OFF (for countdown)→ real time display →

- To reduce the program group number, press -Button, LCD displays in the following sequence:

→d ON/OFF (for countdown)→20OFF→20ON→1OFF→1ON →real time display →

- After choosing the program group, then can set the week and time. Press SET Button until the week display flashes, press ^+ Button each time, the LCD will display the following in sequence:
 - MO TU WE TH FR SA SU
 - Mo→Tu→We→Th→Fr→Sa→Su→
 - MO WE FR
 - TU TH SA
 - SA SU
 - MO TU WE
 - TH FR SA
 - MO TU WE TH FR and
 - MO TU WE TH FR SA
- By pressing the v-Button, the week display will be shown in the opposite direction as above sequence.
- Press ^+/-Button once will increase of reduce the week display slowly. To press and hold the button, the display moves quickly. Release the button until your desired week pattern shown on the display. Press SET Button to confirm, week display stops flashing.
- After set the day of the week, the hour display flashes, repeat procedures mentioned in the Time Setting section to set the time.
- To set other program group's on/off time, repeat procedures above.

Note: To change a preset program, repeat procedures for Time Setting and Program Setting to replace the old settings.

After program setting, press CLOCK Button to return to clock display at once, or it will be returned automatically after 15 seconds without pressing any other buttons.



7 Day Digital Timer

Stock No.44912

Part No.DT2

INSTRUCTIONS

09/2015



OVERRIDE/RESUME PRESET PROGRAM

- Press ON/OFF button each time can override/resume the preset program, LCD changes the display in the following sequence:
- ON: Override the preset program and appliance remains on at all time.
- AUTO: Resume the preset program, appliance will be turned on and off automatically according to the preset time.
- OFF: Override the preset program and appliance remains off at all time.

Note:

The preset countdown or random functions only activates when the Timer is in AUTO status.

When countdown function is activated, random and auto on/off program setting are not active.

When countdown function is activated, countdown and auto on/off program setting are not active.



CONNECTIONS

- Preset your desired on/off programs on the Timer as mentioned above.
- Switch off your electrical appliance.
- Connect your appliance's power cord to the Timer's socket, then connect the Timer to the AC socket to get power.
- Switch on your appliance.
- Appliance will then be turned on/off according to your preset programs unless manual override pressed.



DISPOSAL

- At the end of the machine's working life, or when it can no longer be repaired, ensure that it is disposed of according to national regulations.
- Contact your local authority for details of collection schemes in your area.

In all circumstances:

- Do not dispose of power tools with domestic waste.
- Do not incinerate.
- Do not abandon in the environment.
- Do not dispose of WEEE* as unsorted municipal waste.



* Waste Electrical & Electronic Equipment.