



SPARE PARTS LISTING SHEET FOR

# 3/8" Square Drive Soft Grip Reversible Air Ratchet

Stock No.47568

Part No.5224PRO

KEY No.	PART No.	STOCK No.	DESCRIPTION
1	Y33-301301	41619	Housing.
2	Y50102-12	41620	Spring pin.
3	Y522203-21	41621	Air inlet.
4	Y33-301304	41622	Throttle lever.
5	Y33-301305	41623	Throttle valve.
6	Y33-301306	41624	Bushing.
7	Y72804	41625	O-ring.
8	Y33-301308	41626	Spring.
9	YOR01104103	41627	O-ring.
10	Y33-301310	41628	Dial.
11	YOR01007105	41629	O-ring.
12	Y33-301307	41630	Throttle valve.
13	Y052213	41631	Ball bearing.
14	Y301114	41632	Rear end plate.
15	Y30115	41633	Rotor.
16	Y30116	41634	Rotor blade.
17	Y30117	41635	Pin.
18	Y50118	41636	Cylinder.
19	Y33-301319	41637	Front end plate.
20	Y030120	41638	Ball bearing.
21	Y30121	41639	Washer.
22	Y30122	41640	Thread ring gear.
23	Y33-3013L23	41641	Idler gear.
24	Y30124	41642	Idler gear pin.
25	Y30125	41643	Idler gear plate.
26	Y301126	41644	Clamp nut.
27	Y030129	41645	Needle bearing.
28	Y33-301328	41646	Ratchet housing.

KEY No.	PART No.	STOCK No.	DESCRIPTION
29	Y30129	41647	Bushing.
30	Y33-301330	41648	Crank shaft.
31	Y33-301331	41649	Drive bushing.
32	Y33-301332	41650	Yoke.
33	Y33-301333	41651	Reverse button.
34	Y33-301334	41652	Spring.
35	Y33-301335	41653	Lock pin.
36	Y30136	41654	Washer.
37	Y30137	41655	Ratchet pawl.
38	Y30138	48003	Ratchet anvil 3/8".
39	Y30139	41657	Spring.
40	Y30140	41658	Pin.
41	Y33-301336	48004	Thrust washer.
42	Y30142	41660	Retainer ring.
43	Y30143	41661	Steel ball.
44	Y30107	44315	O-ring.
45	Y33-301341	48005	Fixed shaft.
46	YOR00705105	41664	O-ring.
47	Y522243	41665	Washer.
48	Y33-301311	41666	Deflector.
49	YOR02607108	41667	O-ring.
50	Y33-301352	41668	Grip.
51	Y72017	41669	Spring pin.
52	YSP02001200	41670	Spring pin.
53	Y70117	41671	Spring pin.
54	Y80225	41672	Bushing.
55	Y33-301343	41673	Damping material.
56	Y30152	41674	Rubber hat.

**Helpline: (023) 8049 4344. Sales Desk: (023) 8049 4333. General Enquiries: (023) 8026 6355.**

DRAPER TOOLS LTD, HURSLEY ROAD, CHANDLER'S FORD, EASTLEIGH, HANTS. SO53 1YF. U.K. internet: www.draper.co.uk e-mail: sales@drapertools.com

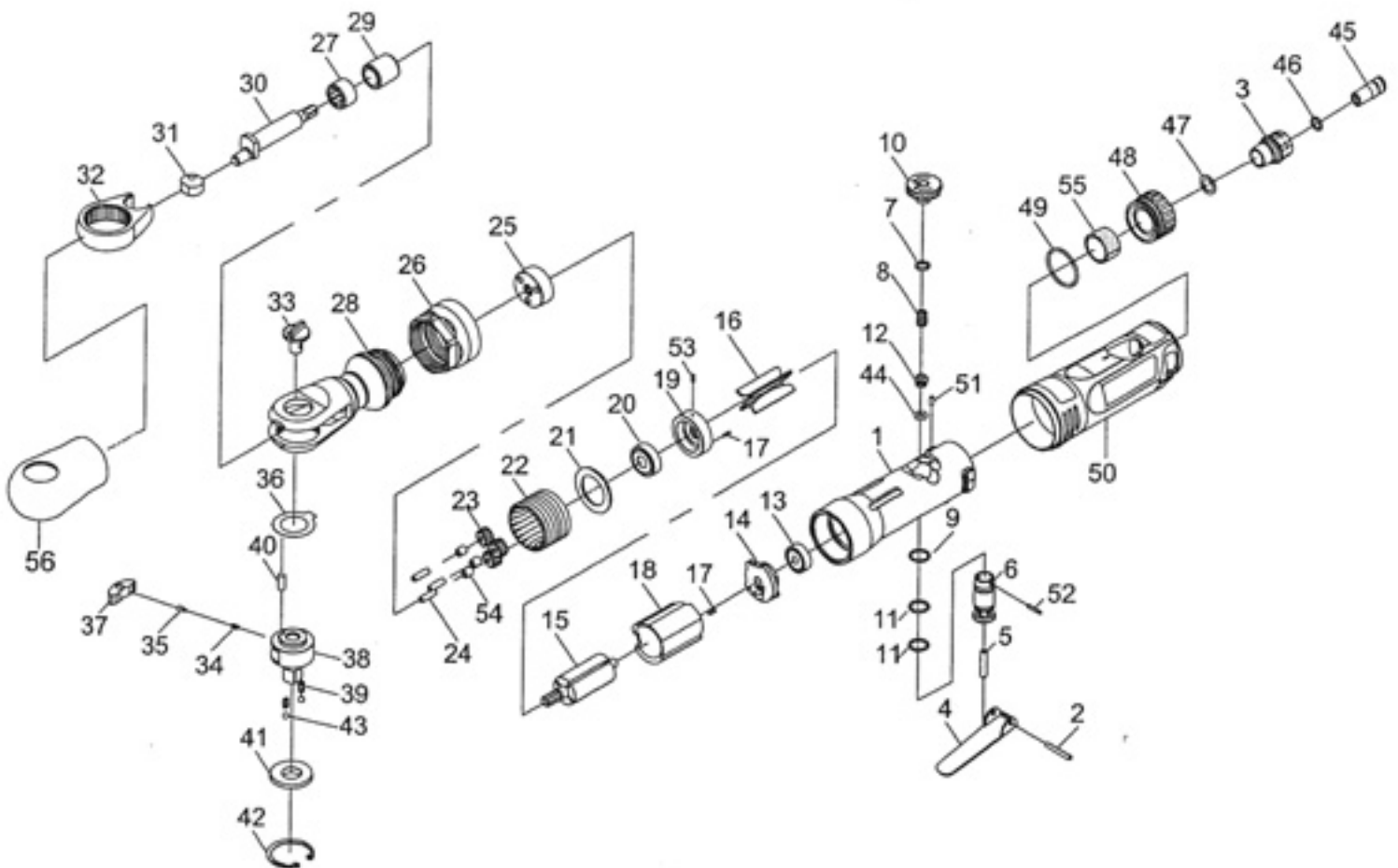


SPARE PARTS DRAWING SHEET FOR

# 3/8" Square Drive Soft Grip Reversible Air Ratchet

Stock No.47568

Part No.5224PRO



**Helpline:** (023) 8049 4344. **Sales Desk:** (023) 8049 4333. **General Enquiries:** (023) 8026 6355.

DRAPER TOOLS LTD, HURSLEY ROAD, CHANDLER'S FORD, EASTLEIGH, HANTS. SO53 1YF. U.K. internet: [www.draper.co.uk](http://www.draper.co.uk) e-mail: [sales@drapertools.com](mailto:sales@drapertools.com)

RWDH130308