

DRAPER[®]

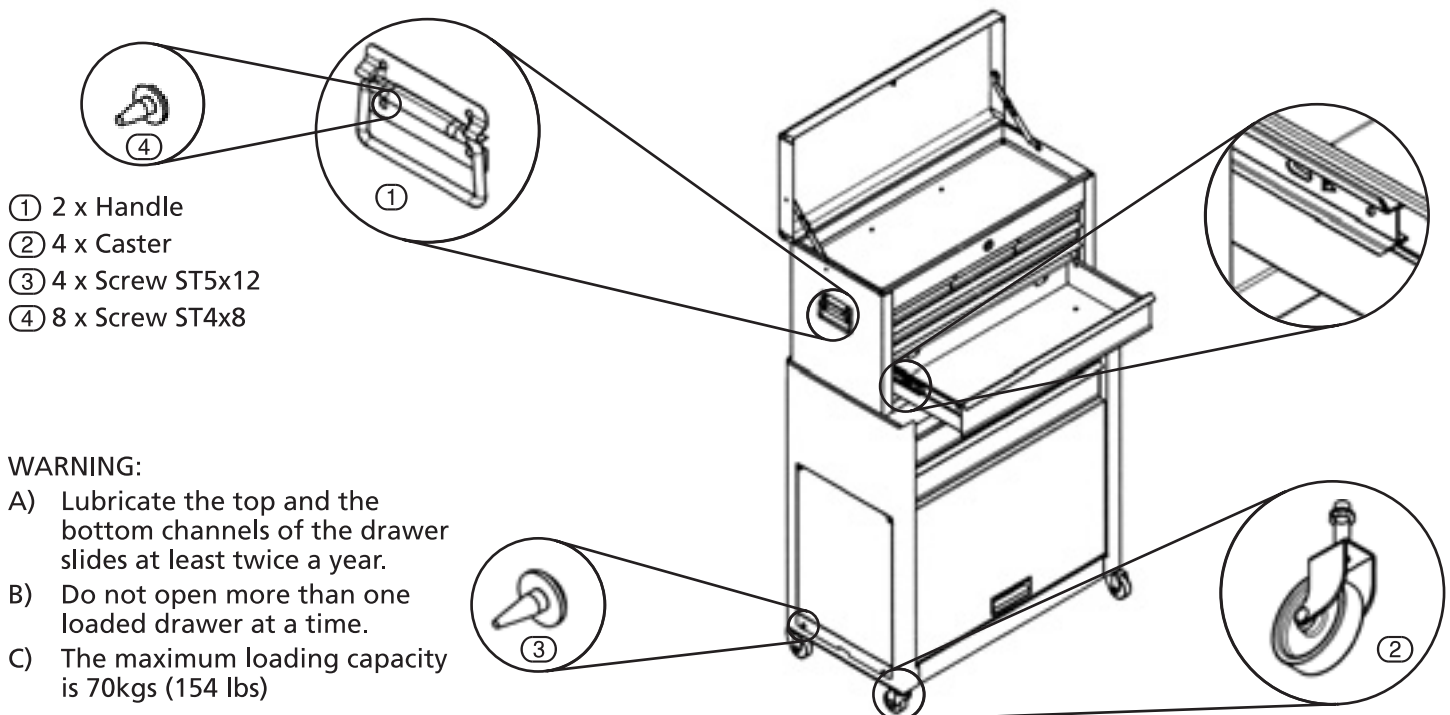
Combined Roller Cabinet & Chest

INSTRUCTIONS

1. HEALTH & SAFETY INFORMATION

- WEAR SAFETY GLASSES AND GLOVES when removing strapping and packaging materials. Straps can snap when removed causing personal injury.
- WEAR SAFETY GLASSES when replacing or repositioning ball bearing drawer slides.
- DO NOT pull this product-push the product to prevent personal injury.
- Swivel castor and push bar must be placed on same side of the product.
- USE THE BRAKE when this product is not being moved. The brake will prevent accidental rolling which may product damage or personal injury.
- DO NOT open more than one drawer at a time as this may cause the product to tip causing personal injury or product damage.
- DO NOT alter this product by welding attachment or adding electrical equipment. Do not mount this product on a moving object or vehicle as this may cause personal injury or product damage.
- DO NOT tow this product with moving equipment or vehicles as this may cause product to tip, causing personal injury or product damage.
- DO NOT step in drawers or on top of unit as this may cause the product to tip. This may cause personal injury or product damage.
- Take caution when closing the cover and remove hands before cover is closed completely.
- Maximum drawer weight capacity should not exceed 45kg (100lb).
- Maximum product weight (including contents) should not exceed 450kg (1000lb).
- To lock a chest, close drawers before closing lid, making sure all drawers are firmly closed to ensure proper function of locking bars.
- Always use the proper sized cabinet and chest combination. Improper matching of cabinet and chest components can cause the product to tip which may result in personal injury or product damage.
- DO NOT use the product on uneven surfaces or inclines as this may cause the product to tip or become unstable resulting in possible personal injury or product damage.
- Remove work surface (if provided) before mounting top chest. If work surface is not removed, the top chest may slide off cabinet causing personal injury or product damage.

2. TECHNICAL DESCRIPTION

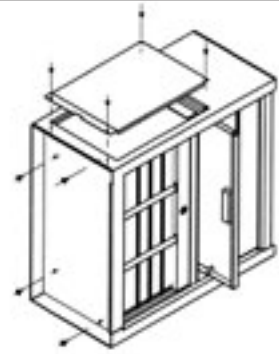


3. PREPARING THE TOOL CHEST

3.1 REMOVE SIDE PANEL

Remove screws with a suitable screwdriver.

FIG.1

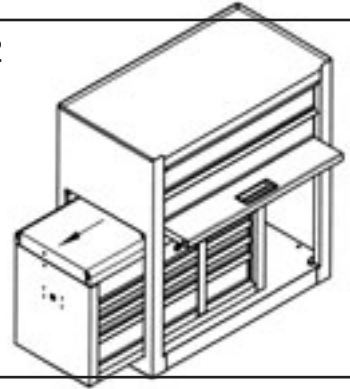


3.2 REMOVE CHEST

Place cabinet on level surface.

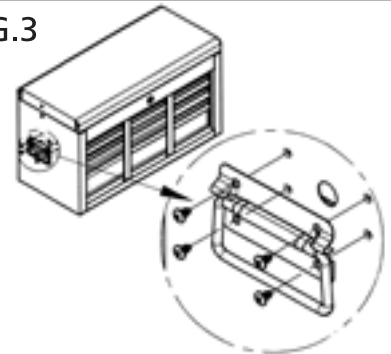
Slowly remove chest from the cabinet.

FIG.2



3.3 HANDLE ASSEMBLY

FIG.3



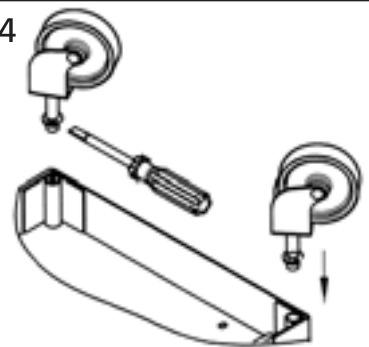
3.4 CASTOR ASSEMBLY

If castor assembly fits loosely, using a screwdriver, slightly spread apart split on shaft.

If the castor is a tight fit, crimp the split slightly.

Make only slight adjustments, until castor fits securely.

FIG.4



3.5 DRAWER SLIDES

If it becomes necessary to remove drawers, follow these drawer removal instructions:

- Pull drawer all the way out, then push back slightly.
- Insert screwdriver into slot in the slide and push in on the stop until it clears the lance. Repeat the procedure on the other slide and remove drawer.
- To re-install drawer, pry stop far enough out to engage lances (4.75mm to 6.35mm) and push drawer onto slide until stops engage lances.

FIG.5

