

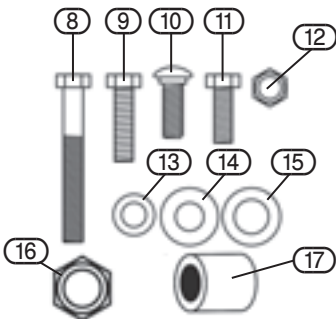
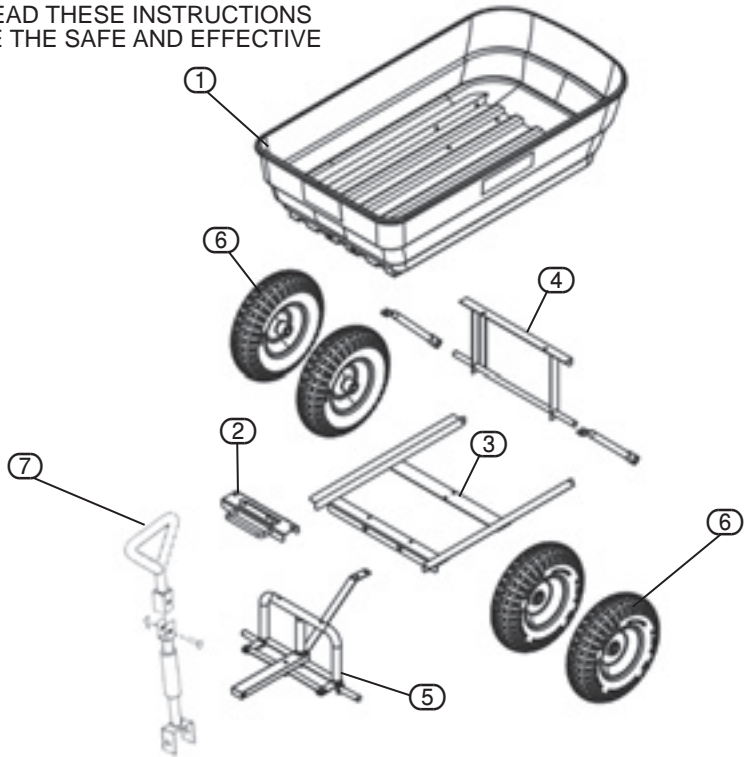


# 120L TIPPER CART

52628 - GTC/HD

**IMPORTANT:** PLEASE READ THESE INSTRUCTIONS CAREFULLY TO ENSURE THE SAFE AND EFFECTIVE USE OF THIS PRODUCT.

- ① Tray.
- ② Lock assembly.
- ③ Frame.
- ④ Rear axle assembly.
- ⑤ Front axle assembly.
- ⑥ Wheels (13-inch).
- ⑦ Handle.



- ⑧ M8x60 Hex head bolt x1
- ⑨ M8x40 Hex head bolt x2
- ⑩ M8x20 carriage bolt x10
- ⑪ M8x20 Hex head bolt x2
- ⑫ M8 Lock nut x15
- ⑬ M8 Washer x15
- ⑭ M11 Washer x10
- ⑮ M12 Washer x4
- ⑯ M12 Lock nut x4
- ⑰ Wheel spacer x4

## 2. HEALTH & SAFETY INFORMATION

---

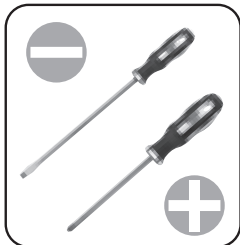
1. READ ALL INSTRUCTIONS CAREFULLY BEFORE USE.
2. Do not load the garden cart with more than 450kg. Do not use the tipping feature of the garden cart with more than 225kg. The weight rating is based on an evenly distributed load.
3. Do not allow children to use the garden cart unsupervised, it is not a toy.
4. Do not use the garden cart for transporting passengers.
5. The garden cart is not intended for motorway use.
6. Do not exceed 5mph when transporting with the cart.
7. Do not load any items on the top edges of the hopper.
8. If any parts become damaged, broken, or misplaced, do not use until replacement parts can be obtained.
9. Do not operate or use on objects that can cause damage to the pneumatic tyres or tubes. Do not inflate tyres to more than 30psi (2.1bar).
10. SAVE THESE INSTRUCTIONS!

## 3. PREPARATION FOR ASSEMBLY

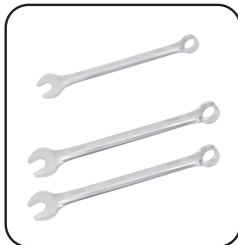
---

As your garden cart requires assembly, first check off the included parts and fittings against the listings on page 1 – ‘What’s in the box?’ section.

Tools required for assembly include:



Large plain slotted screwdriver and cross slot screwdriver.



1 x 19mm spanner.  
2 x 13mm spanners.

OR



Adjustable wrenches.

OR



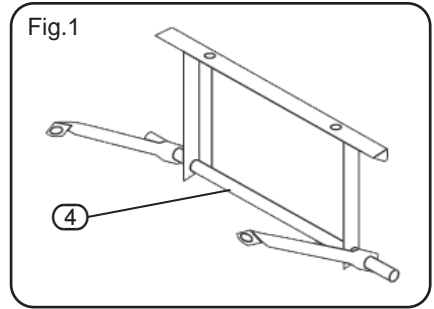
Socket and bit set.

\*Tools above are sold separately and shown for visual guidance only.

# 3. ASSEMBLY

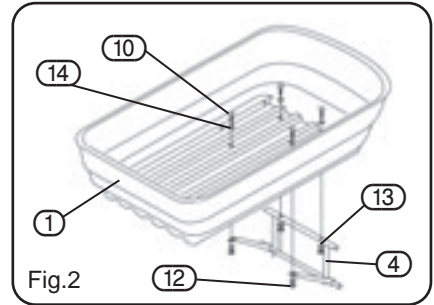
## STEP 1. (FIG.1)

Locate the rear axle assembly (4), the left and right rear struts are pre-assembled to the rear of the axle as shown in Fig.2



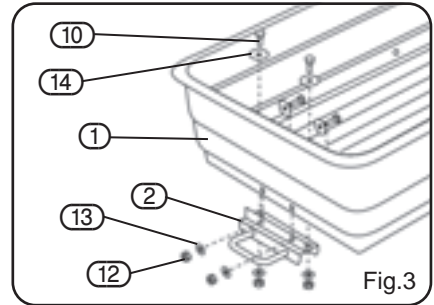
## STEP 2. (FIG.2)

Attach the rear axle assembly (4) to the tray (1) using M8x20 carriage bolts (10) (x4), M11 washers (14) (x4), M8 washers (13) (x4) and M8 lock nuts (12) (x4).



## STEP 3. (FIG.3)

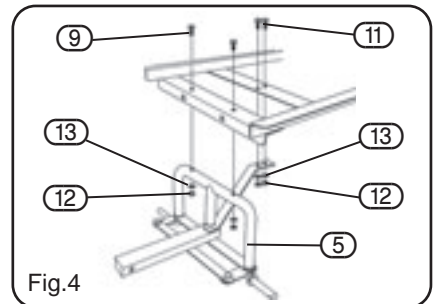
Attach the lock assembly (2) to the tray (1) using M8x20 carriage bolts (x4) (10), M11 washers (x4) (14), M8 washers (x4) (13) and M8 lock nuts (x4) (12).



## STEP 3. (FIG.4)

Attach the front axle assembly (5) to the frame using M8x40 hex head bolts (x2) (9), M8 lock nuts (x2) (12) and M8 washers (x2) (13).

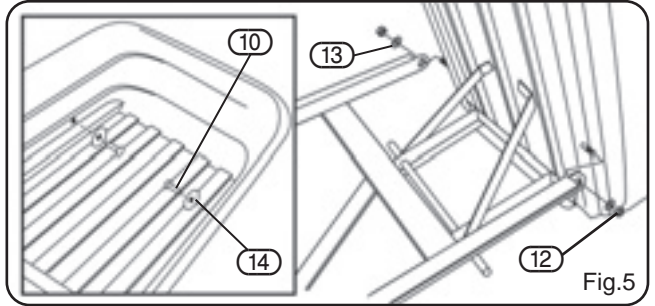
Attach the front axle support arm to the frame using M8x20 hex. head bolts (x2) (11), M8 lock nuts (x2) (12) and M8 washers (x2) (13).



### 3. ASSEMBLY

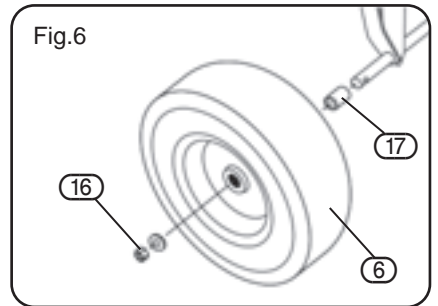
#### STEP 4. (FIG.5)

Attach the frame to the tray using M8x20 carriage bolts (x2) (10), M11 washers (x2) (14), M8 washers (x2) (13) and M8 lock nuts (12).



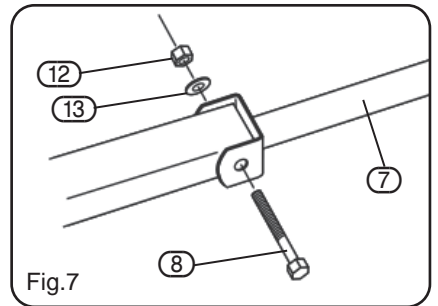
#### STEP 5. (FIG.6)

Attach the wheels (x4) (6) by first placing the wheel spacers (x4) (17) onto each axle, then placing the wheel onto the axle and finally the wheel washers (x4) (16) and attach the M12 lock nuts (x4) (16).



#### STEP 6. (FIG.7)

Attach the handle (7) to the yoke using M8x60 hex bolt (x1) (8), M8 lock nut (x1) (12) and M8 washer (x1) (13).

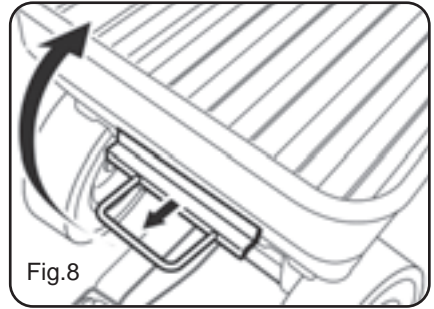


## 4. USING THE TIPPER CART

---

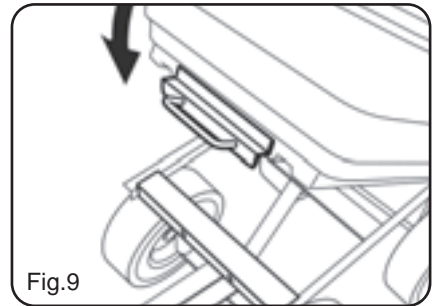
### 4.1 USING THE TIPPING FEATURE - FIG. 8

To operate the tipping feature, pull the tipping release handle outwards to release the tray from its locking mechanism. Lift up the release handle to rotate the cart upward into the tipping position.



### 4.2 RETURNING THE TRAY TO ITS LOWERED POSITION - FIG. 9

Rotate the tray back down to the lowered position. Ensure that the tipping release handle is locked into place when the cart is in the lowered position.



### CAUTION

**DO NOT EXCEED MAXIMUM OVERALL LOAD CAPACITY: 450KG.**

**MAXIMUM TIPPING LOAD CAPACITY: 225KG.**

**WEIGHT RATING BASED ON EVELY DISTRIBUTED LOAD.**





## CONTACTS

- **DRAPER TOOLS LIMITED,**  
Hursley Road, Chandler's Ford,  
Eastleigh, Hampshire. SO53 1YF. U.K.
- **Helpline:** (023) 8049 4344
- **Sales Desk:** (023) 8049 4333
- **General Enquiries:** (023) 8026 6355
- **Service/Warranty Repair Agent**  
For aftersales servicing or warranty repairs, please  
contact the Draper Tools Helpline for details of an  
agent in your local area.

YOUR DRAPER STOCKIST

SRDH1216

