



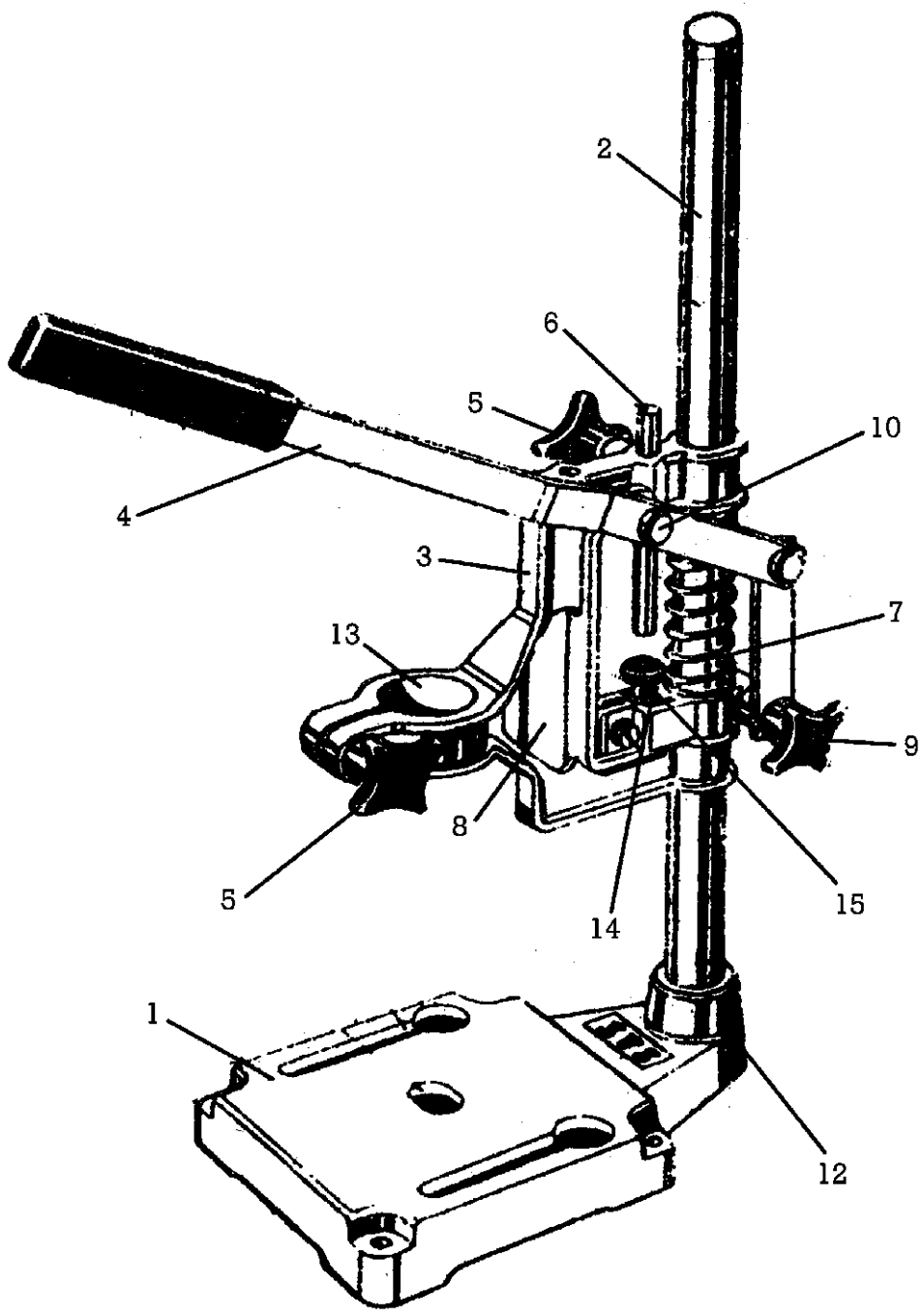
VERTICAL DRILL STAND

■ PART No.DS1. ■ STOCK No.54488.

THE TOOL COMPANY

SPARE PARTS LISTING

08/98



KEY No.	PART No.	STOCK No.	DESCRIPTION
1	YDS1-1	56076	Base
2	YDS1-2	56077	Pillar
3	YDS1-3	56078	Collar assembly
4	YDS1-4	56079	Handle
5	YDS1-5	56080	Knob
6	YDS1-6	56081	Depth plan
7	YDS1-7	56082	Spring
8	YDS1-8	56084	Ruler

KEY No.	PART No.	STOCK No.	DESCRIPTION
9	YDS1-9	56085	Knob
10	YDS1-10	56086	Bolt
11	YDS1-11	56087	Hex. key
12	YDS1-12	56088	Grub screw
13	YDS1-13	56089	Plastic collar insert
14	YDS1-14	56090	Depth stop
15	YDS1-15	56091	Depth stop spring