

**DRAPER**<sup>®</sup>  
*Expert*

GB

3 Year  
WARRANTY

230V 125mm

# WALL CHASER

54956



These instructions accompanying the product are the original instructions. This document is part of the product, keep it for the life of the product passing it on to any subsequent holder of the product. Read all these instructions before assembling, operating or maintaining this product.

This manual has been compiled by Draper Tools describing the purpose for which the product has been designed, and contains all the necessary information to ensure its correct and safe use. By following all the general safety instructions contained in this manual, it will ensure both product and operator safety, together with longer life of the product itself.

All photographs and drawings in this manual are supplied by Draper Tools to help illustrate the operation of the product.

Whilst every effort has been made to ensure the accuracy of information contained in this manual, the Draper Tools policy of continuous improvement determines the right to make modifications without prior warning.

# 1. TITLE PAGE

---

## 1.1 INTRODUCTION:

**USER MANUAL FOR: 230V 1320W Wall Chaser**

**Stock No: 54956**

**Part No: WC1320**

## 1.2 REVISIONS:

**Date first published July 2018.**

---

---

---

---

As our user manuals are continually updated, users should make sure that they use the very latest version.

**Downloads are available from:** <http://drapertools.com/manuals>

Draper Tools Limited

Hursley Road

Chandler's Ford

Eastleigh

Hampshire

SO53 1YF

UK

**Website:** [drapertools.com](http://drapertools.com)

**Product Helpline:** +44 (0) 23 8049 4344

**General Fax:** +44 (0) 23 8026 0784

## 1.3 UNDERSTANDING THIS MANUALS SAFETY CONTENT:

**WARNING!** – Information that draws attention to the risk of injury or death.

**CAUTION!** – Information that draws attention to the risk of damage to the product or surroundings.

## 1.4 COPYRIGHT © NOTICE:

Copyright © Draper Tools Limited.

Permission is granted to reproduce this publication for personal and educational use only. Commercial copying, redistribution, hiring or lending is prohibited.

No part of this publication may be stored in a retrieval system or transmitted in any other form or means without written permission from Draper Tools Limited.

In all cases this copyright notice must remain intact.

---

## 2. CONTENTS

---

|  |                 |
|--|-----------------|
| <b>1. TITLE PAGE</b>                                     |                 |
| 1.1 INTRODUCTION.....                                    | 2               |
| 1.2 REVISION HISTORY .....                               | 2               |
| 1.3 UNDERSTANDING THIS MANUAL .....                      | 2               |
| 1.4 COPYRIGHT NOTICE .....                               | 2               |
| <b>2. CONTENTS</b>                                       |                 |
| 2.1 CONTENTS.....  | 3               |
| <b>3. WARRANTY</b>                                       |                 |
| 3.1 WARRANTY.....  | 4               |
| <b>4. INTRODUCTION</b>                                   |                 |
| 4.1 SCOPE.....   | 5               |
| 4.2 SPECIFICATION .....                                  | 5               |
| 4.3 HANDLING AND STORAGE.....                            | 5               |
| <b>5. HEALTH AND SAFETY INFORMATION</b>                  |                 |
| 5.1 GENERAL SAFETY INSTRUCTIONS FOR POWER TOOL USE ..... | 6               |
| 5.2 ADDITIONAL SAFETY INSTRUCTIONS FOR WALL CHASERS..... | 7               |
| 5.3 RESIDUAL RISK .....                                  | 8               |
| 5.4 KICKBACK AND RELATED WARNINGS.....                   | 8               |
| 5.5 CONNECTION TO THE POWER SUPPLY .....                 | 9               |
| <b>6. TECHNICAL DESCRIPTION</b>                          |                 |
| 6.1 IDENTIFICATION .....                                 | 10              |
| <b>7. UNPACKING AND CHECKING</b>                         |                 |
| 7.1 PACKAGING .....                                      | 11              |
| 7.2 WHAT'S IN THE BOX .....                              | 11              |
| <b>8. PREPARING THE WALL CHASER</b>                      |                 |
| 8.1 FITTING AND REMOVING CUTTING BLADES .....            | 12              |
| 8.2 AUXILIARY HANDLE REMOVAL .....                       | 12              |
| 8.3 GUARD HOOD REMOVAL .....                             | 12              |
| 8.4 LOCKING FLANGE REMOVAL .....                         | 13              |
| 8.5 CUTTING BLADE REMOVAL & REPLACEMENT .....            | 13              |
| 8.6 CUTTING DEPTH ADJUSTMENT .....                       | 13              |
| <b>9. BASIC WALL CHASER OPERATIONS</b>                   |                 |
| 9.1 CUTTING WIDTH ADJUSTMENT .....                       | 14              |
| 9.2 FITTING AUXILIARY HANDLE .....                       | 14              |
| 9.3 SWITCHING ON AND OFF .....                           | 14              |
| 9.4 GENERAL CUTTING .....                                | 15              |
| <b>10. MAINTENANCE &amp; TROUBLESHOOTING</b>             |                 |
| 10.1 MAINTENANCE .....                                   | 16              |
| 10.2 TROUBLESHOOTING .....                               | 16              |
| <b>11. OPTIONAL ACCESSORIES</b>                          |                 |
| 11.1 OPTIONAL ACCESSORIES.....                           | 17              |
| <b>12. DISPOSAL</b>                                      |                 |
| 12.1 DISPOSAL .....                                      | 17              |
| <b>13. EXPLANATION OF SYMBOLS</b>                        |                 |
| 13.1 EXPLANATION OF SYMBOLS .....                        | 18              |
| <b>DECLARATION OF CONFORMITY .....</b>                   | <b>ENCLOSED</b> |

# 3. WARRANTY

---

## 3.1 WARRANTY

Draper tools have been carefully tested and inspected before shipment and are guaranteed to be free from defective materials and workmanship.

Should the tool develop a fault, please return the complete tool to your nearest distributor or contact:

**Draper Tools Limited, Chandler's Ford, Eastleigh, Hampshire, SO53 1YF. England.**

**Telephone Sales Desk: (023) 8049 4333 or:**

**Product Helpline (023) 8049 4344.**

A proof of purchase must be provided.

If upon inspection it is found that the fault occurring is due to defective materials or workmanship, repairs will be carried out free of charge. This warranty period covering labour is 12 months from the date of purchase except where tools are hired out when the warranty period is 90 days from the date of purchase. The warranty is extended to 24 months from the date of purchase for parts only. This warranty does not apply to any consumable parts, any type of battery or normal wear and tear, nor does it cover any damage caused by misuse, careless or unsafe handling, alterations, accidents, or repairs attempted or made by any personnel other than the authorised Draper warranty repair agent.

# FREE



Draper Tools Limited takes pride in the quality of its products and the services offered to our valued customers, as a result we offer a free, 3 year extended warranty for this product.

**\*To register your warranty, visit: [drapertools.com/warranty-registration](http://drapertools.com/warranty-registration)**

By registering your product you'll automatically become a Draper Club Member where you will have the option to receive news of our new products, offers, deals, competitions and more!

Registration can only be completed online. Full registration must be completed within 30 days from the date of purchase. The 3 year extended warranty only applies to permanent UK residents, to the original product purchased from an authorised Draper Tools stockist for use in their appropriate profession/trade. This warranty is not valid to purchasers reselling or hiring the product. This warranty is not transferrable and is only available to the original product purchaser who has completed their registration and is a Draper Club Member. The 3 year extended warranty period starts from the date of purchase and is not extended following an inspection, repair or replacement.

Note: If the tool is found not to be within the terms of warranty, repairs and carriage charges will be quoted and made accordingly.

This warranty applies in lieu of any other warranty expressed or implied and variations of its terms are not authorised.

Your Draper warranty is not effective unless you can produce upon request a dated receipt or invoice to verify your proof of purchase within the warranty period.

Please note that this warranty is an additional benefit and does not affect your statutory rights.

**Draper Tools Limited.**

For full terms and conditions visit: [drapertools.com/corporate-policies](http://drapertools.com/corporate-policies)

# 4. INTRODUCTION

---

## 4.1 SCOPE

This wall chaser is designed to cut narrow grooves in walls, for instance, when laying electrical cables. It is intended for trade use and has the quality and features to meet and exceed the expectations of the most demanding user.

Any application other than that it was designed for is considered misuse.

## 4.2 SPECIFICATION

|                             |                       |
|-----------------------------|-----------------------|
| Stock No. ....              | 54956                 |
| Part No. ....               | WC1320                |
| Rated voltage .....         | 230V~50Hz             |
| Rated input .....           | 1320W                 |
| Blade size .....            | 125mm x 2.0mm thick   |
| Bore .....                  | 22.2mm                |
| Cutting depth range .....   | 10 – 30mm             |
| Cutting width range .....   | 8 – 28mm              |
| Spindle thread .....        | M14                   |
| Speed (no load) .....       | 9000r/min             |
| Sound pressure level* ..... | 97.16dB(A)            |
| Sound power level** .....   | 108.16dB(A)           |
| Vibration level .....       | 7.451m/s <sup>2</sup> |
| Weight .....                | 4.54kg                |

\* *Continuous A-Weighted Sound Pressure Level at the workstation in accordance to prEN ISO 15744:19 99 and declared according to EN ISO 4871.*

\*\* *A-Weighted Sound Power Level in accordance to prEN ISO 15744:1999 and declared according to EN ISO 4871.*

## 4.3 HANDLING & STORAGE

- Care must be taken when handling this product.
  - Dropping this power tool could have an effect on its accuracy and could also result in personal injury. This product is not a toy and must be respected.
- Environmental conditions can have a detrimental effect on this product if neglected.
  - Exposure to damp air can gradually corrode components.
  - If the product is unprotected from dust and debris, components will become clogged.
  - If not cleaned and maintained correctly or regularly, the machine will not perform at its best.

# 5. HEALTH AND SAFETY INFORMATION

---

When using any type of power tool there are steps that should be taken to make sure that you, as the user, remain safe.

Common sense and a respect for the tool will help reduce the risk of injury.

## 5.1 GENERAL SAFETY INSTRUCTIONS FOR POWER TOOL USE

### Warning!

- Read all safety warnings and all instructions. Failure to follow the warnings and instructions may result in electric shock, fire and/or serious injury.

**Most important:** You must know how to safely start and stop this machine, especially in an emergency.

**Keep the work area tidy and clean.** Attempting to clear clutter from around the machine during use will reduce your concentration. Mess on the floor creates a trip hazard. Any liquid spilled on the floor could result in you slipping.

**Find a suitable location.** If the machine is bench mounted, the location should provide good natural light or artificial lighting as a replacement. Avoid damp and dusty locations as it will have a negative effect on the machine's performance. If the machine is portable do not expose the tool to rain. In all cases do not operate power tools near any flammable materials.

**Keep bystanders away.** Children, onlookers and passers by must be restricted from entering the work area for their own protection. The barrier must extend a suitable distance from the tool user. Unplug and house all power tools that are not in use. A power tool should never be left unattended while connected to the power supply. They must be housed in a suitable location, locked up and away from children.

**Do not overload or misuse the tool.** All tools are designed for a purpose and are limited to what they are capable of doing. Do not attempt to use a power tool (or adapt it in any way) for an application it is not designed for. Select a tool appropriate for the size of the job. Overloading a tool will result in tool failure and user injury. This covers the use of accessories.

**Dress properly.** Loose clothing, long hair and jewellery are all dangerous because they can become entangled in moving machinery. This can also result in parts of body being pulled into the machine. Clothing should be close fitted, with any long hair tied back and jewellery and neck ties removed. Footwear must be fully enclosed and have a non-slip sole.

**Wear personal protective equipment (PPE).** Dust, noise, vibration and swarf can all be dangerous if not suitably protected against. If the work involving the power tool creates dust or fumes wear a dust mask. Vibration to the hand, caused by operating some tools for longer periods must be protected against. Wear vibration reducing gloves and allow long breaks between uses. Protect against dust and swarf by wearing approved safety goggles or a face shield. These are some of the more common hazards and preventions, however, always find out what hazards are associated with the machine/work process and wear the most suitable protective equipment available.

**Do not breathe contaminated air.** If the work creates dust or fumes connect the machine (if possible) to an extraction system either locally or remotely. Working outdoors can also help if possible.

**Move the machine as instructed.** If the machine is hand held, do not carry it by the power supply cable. If the product is heavy, employ a second or third person to help move it safely or use a mechanical device. Always refer to the instructions for the correct method.

**Do not overreach.** Extending your body too far can result in a loss of balance and you falling. This could be from a height or onto a machine and will result in injury.

**Maintain your tools correctly.** A well maintained tool will do the job safely. Replace any damaged or missing parts immediately with original parts from the manufacturer. As applicable keep blades sharp, moving parts clean, oiled or greased, handles clean and emergency devices working.

# 5. HEALTH AND SAFETY INFORMATION

---

**Wait for the machine to stop.** Unless the machine is fitted with a safety brake, some parts may continue to move due to momentum. Wait for all parts to stop, then unplug it from the power supply before making any adjustments, carrying out maintenance operations or just finishing using the tool.

**Remove and check setting tools.** Some machinery requires the use of additional tools or keys to set, load or adjust the power tool. Before starting the power tool always check to make certain they have been removed and are safely away from the machine.

**Prevent unintentional starting.** Before plugging any machine in to the power supply, make sure the switch is in the OFF position. If the machine is portable, do not hold the machine near the switch and take care when putting the machine down, that nothing can operate the switch.

**Carefully select an extension lead.** Some machines are not suitable for use with extension leads. If the tool is designed for use outdoors, use an extension lead also suitable for that environment. When using an extended lead, select one capable of handling the current (amps) drawn by the machine in use. Fully extend the lead regardless of the distance between the power supply and the tool. Excess current (amps) and a coiled extension lead will both cause the cable to heat up and can result in fire.

**Concentrate and stay alert.** Distractions are likely to cause an accident. Never operate a power tool if you are under the influence of drugs (prescription or otherwise), including alcohol or if you are feeling tired. Being disorientated will result in an accident.

**Have this tool repaired by a qualified person.** This tool is designed to conform to the relevant international and local standards and as such should be maintained and repaired by someone qualified, using only original parts supplied by the manufacturer. This will ensure the tool remains safe to use.

## “IMPORTANT

**If using an extension lead, follow the instructions that came with your lead regarding maximum load while cable is wound. If in doubt, ensure that the entire cable is unwound. Using a coiled extension lead will generate heat which could melt the lead and cause a fire.”**

## 5.2 ADDITIONAL SAFETY INSTRUCTIONS FOR WALL CHASERS

**Important:** Draper Tools Limited recommends that this machine should not be modified or used for any application other than that for which it was designed. If you are unsure of its relative applications do not hesitate to contact us in writing and we will advise you.

1. Always use in conjunction with a suitable dust extraction device.
2. Always wear a dust mask and suitable eye & hearing protection.
3. Keep mains cable away from the cutting blades while cutting and ensure you don't over reach while using the tool.
4. Ensure tool has come to a complete stop before putting tool down on a surface.
5. When cutting into walls ensure that there are no electrical cables or pipes hidden within the wall.
6. Always use guard provided with the tool. The guard must be securely attached to the power tool and positioned for maximum safety, so the least amount of wheel is exposed towards the operator. Position yourself and bystanders away from the plane of the rotating wheel. The guard helps to protect operator from broken wheel fragments and accidental contact with wheel.
7. The rated speed of the cutting blades must be at least equal to the maximum speed marked on the power tool. Cutting blades running faster than their rated speed can break and fly apart.
8. Cutting blades must be used only for recommended applications. Side forces applied to these blades may cause them to shatter.
9. The arbor size of the cutting blades and flanges must properly fit the spindle of the power tool. Blades and flanges with arbor holes that do not match the mounting hardware of the power tool will run out of balance, vibrate excessively leading to loss of control.



## 5. HEALTH AND SAFETY INFORMATION

---

### 5.2 ADDITIONAL SAFETY INSTRUCTIONS FOR WALL CHASERS - continued

10. Don't use damaged cutting blades. Before each use, inspect the blades for chips and cracks. If power tool or wheel(s) are dropped, inspect for damage. After inspecting and installing the blade, position yourself and bystanders away from the plane of the cutting blade and run the power tool at maximum no load speed for one minute.
11. Hold the power tool only by the insulated gripping surfaces when performing an operation where the cutting tool may contact hidden wiring or its own cord. Contacting a live wire will make exposed metal parts of the power tool 'live' and shock the operator.

### 5.3 RESIDUAL RISK

**Important:** Although the safety instructions and operating manuals for our tools contain extensive instructions of safe working with power tools, every power tool involves a certain residual risk which can not be completely excluded by safety mechanisms. Power tools must therefore always be operated with caution!

### 5.4 KICKBACK AND RELATED WARNINGS

Kickback is a sudden reaction to a pinched or snagged cutting blade. Pinching or snagging causes rapid stalling of the rotating wheel which in turn causes the uncontrolled power tool to be forced in the opposite direction of the wheels rotation.

1. Maintain a firm grip on the power tool and position your body and arm to allow you to resist kickback forces. Always use auxiliary handle for maximum control over kickback or torque reaction during start-up. The operator can control torque reactions or kickback forces if proper precautions are taken. Never place your hand near the cutting blade. The wall chaser may kickback over your hand.
2. Do not position your body in the area where the power tool will move if kickback occurs. Kickback will propel the tool in the direction opposite to the wheel's movement at the point of snagging.
3. Use special care when working corners, sharp edges, etc. Avoid bouncing and snagging the accessory. Corners, sharp edges or bouncing have a tendency to snag the rotating accessory and cause loss of control or kickback.
4. Do not attach a saw chain woodcarving blade or toothed saw blade. Such blades create frequent kickback and loss of control over the power tool.
5. Do not 'jam' the cut-off wheel or apply excessive pressure. Do not attempt to make an excessive depth of cut. Overstressing the wheel increases the loading and susceptibility to twisting or binding of the wheel in the cut and the possibility of kickback or wheel breakage.
6. When the wheel is binding or when interrupting a cut for any reason, switch off the power tool and hold the tool motionless until the wheel comes to a complete stop. Never attempt to remove the cut-off wheel from the cut while the wheel is in motion, otherwise kickback may occur. Investigate and take corrective action to eliminate the cause of wheel binding.
7. Do not restart the cutting operation in the workpiece. Let the wheel reach full speed and carefully re-enter the cut. The wheel may bind, walk up or kickback if the power tool is restarted in the workpiece.
8. Use extra caution when making a 'pocket cut' into existing walls or other blind areas. The protruding wheel may cut gas or water pipes, electrical wiring or objects that can cause kickback.



# 5. HEALTH AND SAFETY INFORMATION

---

## 5.5 CONNECTION TO THE POWER SUPPLY

**Caution:** Risk of electric shock. Do not open.

This appliance is supplied with a moulded 3 pin mains plug for your safety. The value of the fuse fitted is marked on the pin face of the plug. Should the fuse need replacing, ensure the substitute is of the correct rating, approved to BS1362 and ASTA or BSI Kite marked.

ASTA 

BSI 


The fuse cover is removable with a small plain slot screwdriver. Ensure the fuse cover is replaced before attempting to connect the plug to an electrical outlet. If the cover is missing, a replacement must be obtained or the plug replaced with a suitable type.

If a replacement plug is to be fitted this must be carried out by a qualified electrician.

The damaged or incomplete plug, when cut from the cable should be disabled to prevent connection to a live electrical outlet.

This appliance is Class II<sup>†</sup> and is designed for connection to a power supply matching that detailed on the rating label and compatible with the plug fitted.

If an extension lead is required, use an approved and compatible lead rated for this appliance. Follow all the instruction supplied with the extension lead.

<sup>†</sup>Double insulated : This product requires no earth connection as supplementary insulation is applied to the basic insulation to protect against electric shock in the event of failure of the basic insulation.

**Important: If using an extension lead, follow the instructions that came with your lead regarding maximum load while cable is wound. If in doubt, ensure that the entire cable is unwound. Using a coiled extension lead will generate heat which could melt the lead and cause a fire.**

## 6. TECHNICAL DESCRIPTION

### 6.1 IDENTIFICATION



① Handle.

② Spindle lock.

③ Guard hood.

④ Operating switch.

⑤ Safety lock-off.

⑥ Locking screw for depth stop.

⑦ Depth stop.

⑧ Auxiliary handle.

⑨ Vacuum extractor unit adapter.

⑩ Guide roller.

## 7. UNPACKING AND CHECKING

### 7.1 PACKAGING

Carefully remove the product from the packaging and examine it for any sign of damage that may have happened during shipping. If any part is damaged or missing, please contact the Draper Help Line (the telephone number appears on the Title page) and do not attempt to use the product.

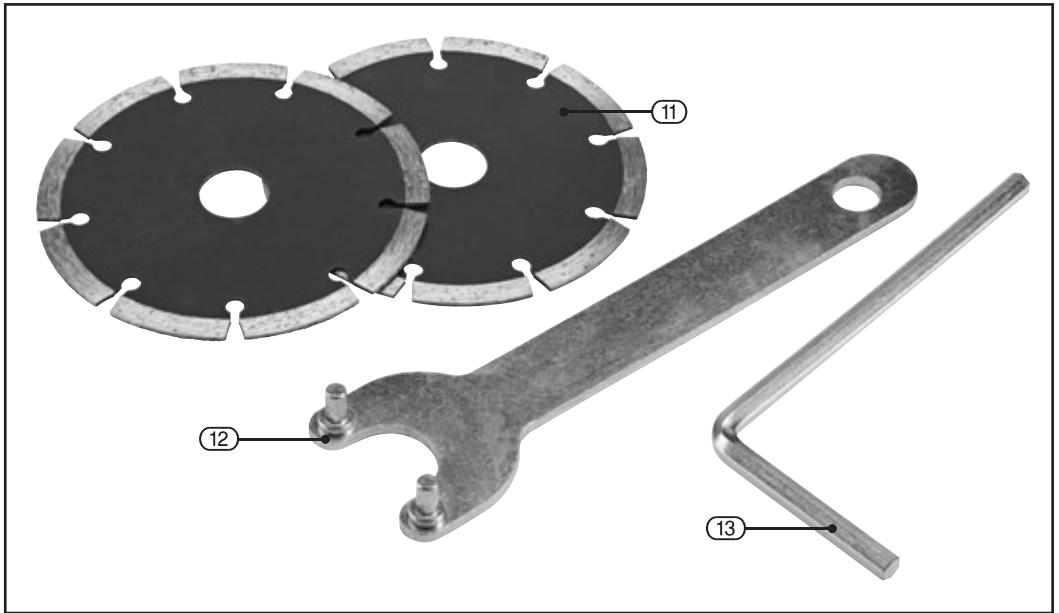
The packaging material should be retained at least during the guarantee period in case the machine needs to be returned for repair.

#### Warning!

- Some of the packaging materials used may be harmful to children. Do not leave any of these materials in the reach of children.
- If any of the packaging is to be thrown away, make sure they are disposed of correctly, according to local regulations.

### 7.2 WHAT'S IN THE BOX

As well as the product, there are several parts not fitted or attached to it.



(11) 2 × 125mm diamond cutting blades.

(12) 2 Pin spanner.

(13) Hexagon key.

## 8. PREPARING THE WALL CHASER

### 8.1 FITTING AND REMOVING CUTTING BLADES – FIGS. 1-5

#### Warning!

Always disconnect the plug from the power supply before refitting, removing or making any adjustments to this product.

Remove the depth stop locking screw (6).

#### Important!

Always replace cutting blades in pairs.

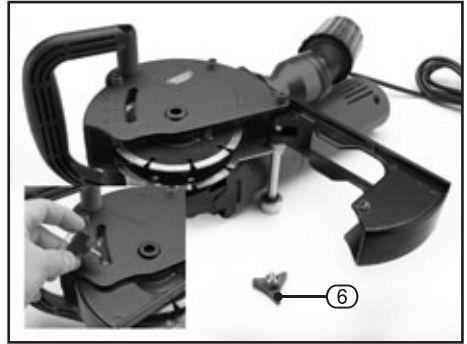


FIG.1

### 8.2 AUXILIARY HANDLE REMOVAL

Remove the handle (8) and its retaining screws,

(I) & (II).

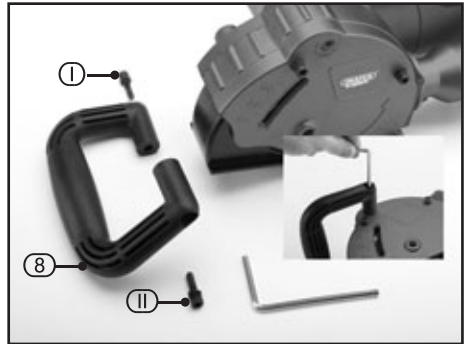


FIG.2

### 8.3 GUARD HOOD REMOVAL

Remove the guard hood (3), swinging the depth stop (7) down and away.

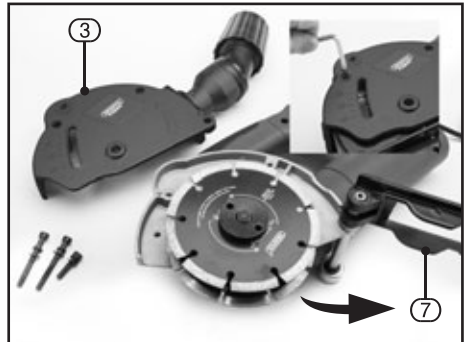


FIG.3

## 8. PREPARING THE WALL CHASER

### 8.4 LOCKING FLANGE REMOVAL

While holding the spindle lock button (2), unscrew the outer locking flange (III) using the 2 pin spanner (12).

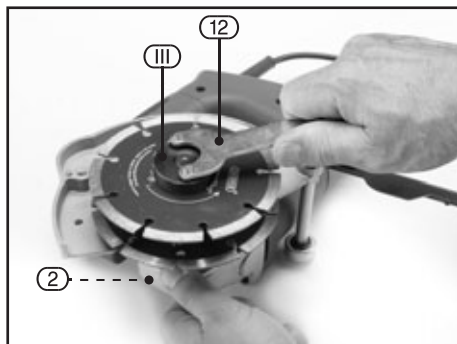


FIG.4

### 8.5 CUTTING BLADE REMOVAL & REPLACEMENT

Remove the top cutting blade.

Remove the 6 x spacer rings and the second cutting blade.

Place a replacement blade onto the inner flange, checking the direction of rotation on the blade matches the direction shown on the guard hood (3) Fig.6.

Add the required number of spacer rings (IV) followed by the second blade. Refit and tighten the outer locking flange using the spindle lock button (2) and 2 pin spanner (12).

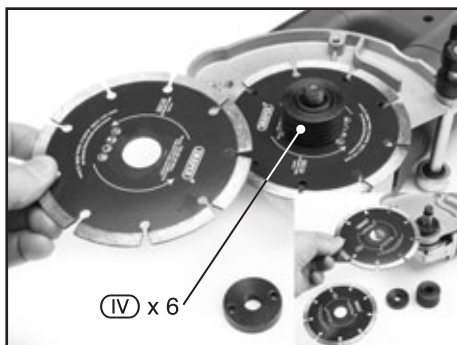


FIG.5

### 8.6 CUTTING DEPTH ADJUSTMENT - FIG. 6

The cutting depth range is 10 - 30mm.

Slacken the depth stop locking screw (6).

Set the depth stop (7) to the desired depth.

Re-tighten the depth stop locking screw (6).

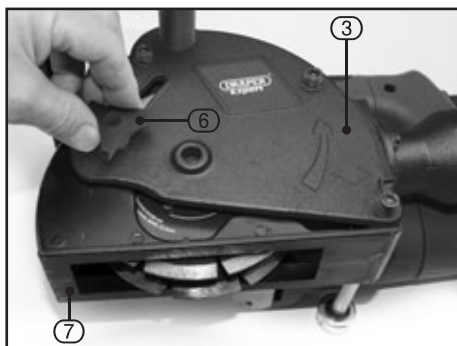


FIG.6

## 9. BASIC WALL CHASER OPERATIONS

### 9.1 CUTTING WIDTH ADJUSTMENT - FIG.7

The channel cutting width range is 8 - 28mm. Adjustments to sizes in this range are made by removing a number of spacer rings to suit the channel width you are cutting. It is important that all 6 x spacer rings are fitted, with excess ones fitted on the outside of the cutting blades.

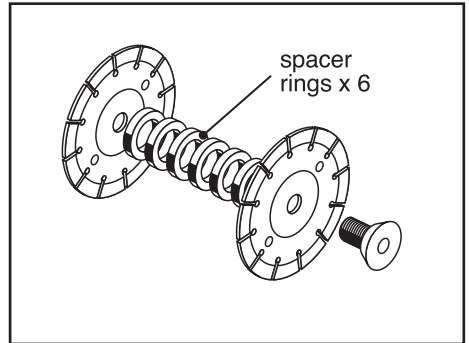


FIG.7

### 9.2 FITTING AUXILIARY HANDLE - FIG.8

Refit the guard hood (3) and handle (8) using the screws previously removed.



FIG.8

### 9.3 SWITCHING ON AND OFF - FIG.9

To turn the machine on, release the safety lock-off button (5), then depress the operating switch (4). To stop the machine, release both buttons (4) and (5).

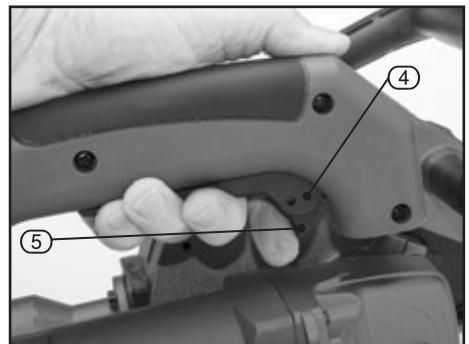


FIG.9

## 9. BASIC WALL CHASER OPERATIONS

### 9.4 GENERAL CUTTING - FIG.10

The device is fitted with an overload cut-out. The motor will cut out if overloaded. Relieve the load on the motor immediately and allow the masonry channel cutter to cool down for approximately 1 minute without load.

#### **Danger!**

#### **The device is for dry cutting only !**

- Use a cable/pipe detector to check for concealed electric cables, gas and water pipes in the wall before you start using the wall chaser.
- Select the desired groove width (see 9-1) and groove depth (see 8-6).

Only ever guide the machine along the workpiece while it is switched on.

- Place the machine against the wall with the guide roller (10) against the wall.
- Switch on the machine and then slowly cut into the wall until the depth stop (7) rests against the wall.
- Now you can cut the groove in the wall. Take care with the cutting direction, Fig.10, as you do so. The machine must always be handled on a counter rotating basis otherwise there is a risk that it may be forced out of the cut in an uncontrolled manner.

#### **Caution!**

Cut in a straight line only. It is not possible to cut curves.

- At the end of the groove, swing the machine out of the groove before you switch off.

#### **Warning!**

The machine must always be used cutting in the direction of the rotation arrow (C) as shown in Fig.10. Never move the machine in any other direction, otherwise there is a danger of it being pushed uncontrolled out of the cut, or it will damage the blades.

#### **Warning!**

Do not reduce the speed of the cutting blades when slowing down by applying sideways pressure.

**Note:** When working with 2 cutting blades always replace them in pairs.

#### **Warning!**

The mounted blades protrude out of the protective cover. Therefore, never set down the machine on the blades, but on the side.

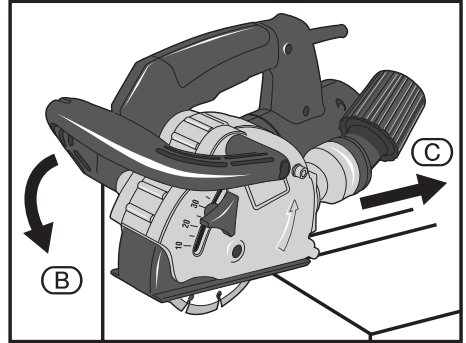


FIG.10



# 10. MAINTENANCE AND TROUBLESHOOTING

---

## 10.1 MAINTENANCE

Regular inspection and cleaning reduces the necessity for maintenance operations and will keep your tool in good working condition.

The motor must be correctly ventilated during tool operation. Avoid blocking the air inlets and vacuum the ventilation slots regularly.

## 10.2 TROUBLESHOOTING

**Note:** Remove the plug from the socket before carrying out adjustment, servicing or maintenance.

| <b>Problem</b>            | <b>Possible Cause</b>   | <b>Remedy</b>   |
|---------------------------|---|---|
| Motor does not start.     | <ol style="list-style-type: none"><li>1. Fuse.</li><li>2. Brushes worn.</li><li>3. Other.</li></ol>         | <ol style="list-style-type: none"><li>1. Replace/reset time delay fuse or circuit breaker.</li><li>2. Have brushes replaced by an authorised service agent.</li><li>3. Contact an authorised service agent.</li></ol> |
| Machine vibrates.         | <ol style="list-style-type: none"><li>1. Blade damaged or out of balance.</li><li>2. Blade loose.</li></ol> | <ol style="list-style-type: none"><li>1. Replace blade.</li><li>2. Stop machine immediately. Remove blade. Refit.</li></ol>   |
| Blade will not cut/grind. | <ol style="list-style-type: none"><li>1. Incorrect blade fitted.</li></ol>                                  | <ol style="list-style-type: none"><li>1. Fit correct blade for material/application.</li></ol>  |

# 11. OPTIONAL ACCESSORIES

---

## 11.1 OPTIONAL ACCESSORIES

Spare cutting blades are available from Draper Tools.

Please visit our website for details: [drapertools.com](http://drapertools.com)

# 12. DISPOSAL

---

## 12.1 DISPOSAL

- At the end of the machine's working life, or when it can no longer be repaired, ensure that it is disposed of according to national regulations.
- Contact your local authority for details of collection schemes in your area.

In all circumstances:

- Do not dispose of power tools with domestic waste.
- Do not incinerate.
- Do not dispose of WEEE\* as unsorted municipal waste.



\* *Waste Electrical & Electronic Equipment.*

# 13. EXPLANATION OF SYMBOLS

---

## 13.1 EXPLANATION OF SYMBOLS



Read the instruction manual.



Wear face mask and safety glasses.



Wear ear defenders.



Wear protective gloves.



Long and loose hair must be contained or securely tied back.



Keep out of the reach of children.



**Warning!**



Class II construction  
*(Double insulated).*



WEEE –  
Waste Electrical &  
Electronic Equipment.  
*Do not dispose of Waste Electrical  
& Electronic Equipment in with  
domestic rubbish.*



# CONTACTS

Draper Tools Limited, Hursley Road,  
Chandler's Ford, Eastleigh, Hampshire. SO53 1YF. U.K.

Helpline: (023) 8049 4344

Sales Desk: (023) 8049 4333

Internet: [drapertools.com](http://drapertools.com)

E-mail: [sales@drapertools.com](mailto:sales@drapertools.com)

General Enquiries: (023) 8026 6355

Service/Warranty Repair Agent:

For aftersales servicing or warranty repairs, please contact the Draper Tools Helpline for details of an agent in your local area.

YOUR DRAPER STOCKIST

PJLJ0718

©Published by Draper Tools Limited.

No part of this publication may be reproduced, stored in a retrieval system or transmitted in any form or by any means, electronic, mechanical photocopying, recording or otherwise without prior permission in writing from Draper Tools Ltd.