

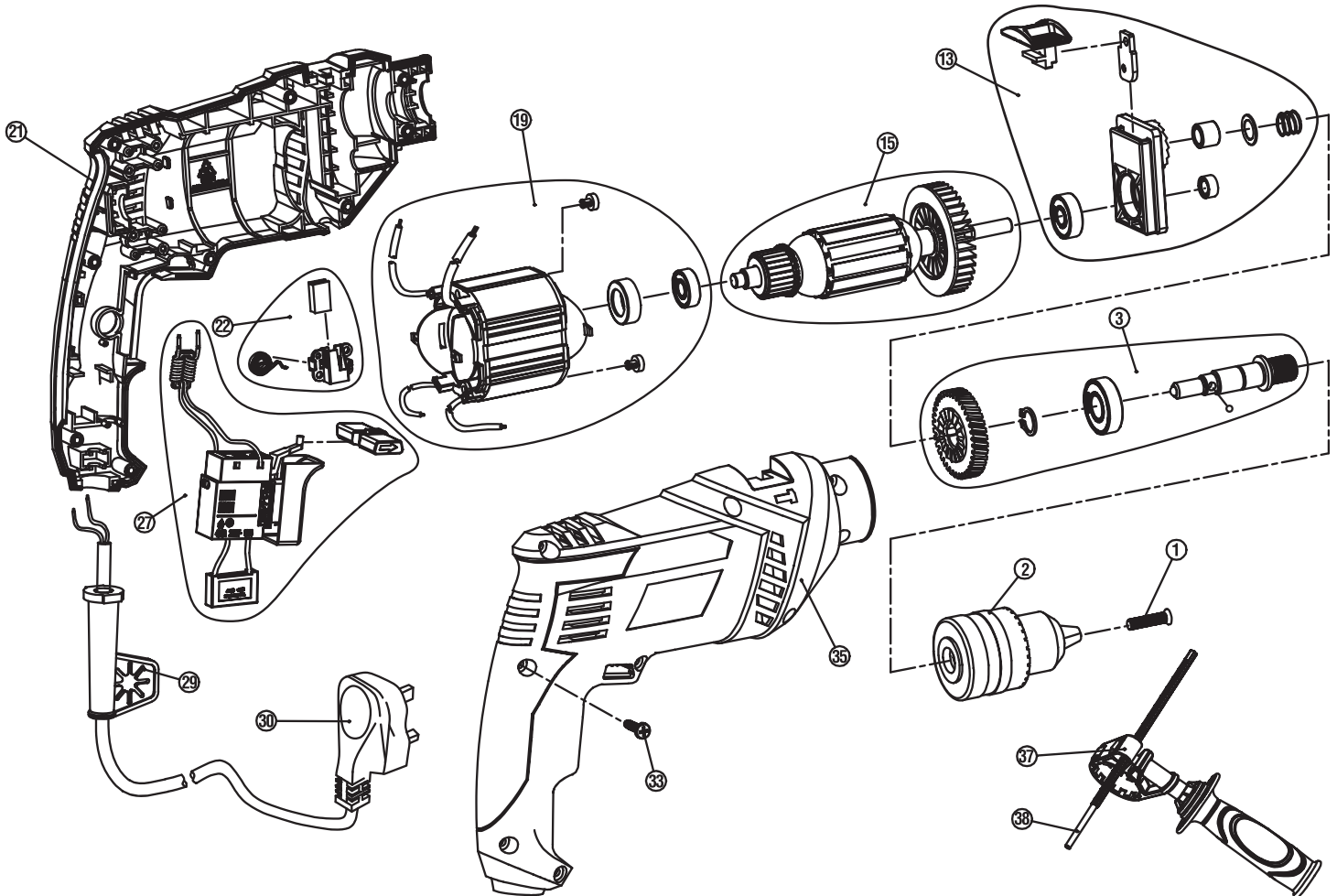
**DRAPER**<sup>®</sup>

230V 710W

# IMPACT DRILL

GB

56361 - ID710D SPARE PARTS DRAWING



| KEY No. | PART No.   | STOCK No. | DESCRIPTION                  |
|---------|------------|-----------|------------------------------|
| 1       | YID710D-1  | 97530     | Left-threaded screw M*25     |
| 2       | YID710D-2  |           | Chuck                        |
| 3       | YID710D-3  | 97436     | Output spindle assembly      |
| 13      | YID710D-13 | 97437     | Central support assembly     |
| 15      | YID710D-15 | 97438     | Rotor                        |
| 19      | YID710D-19 | 97439     | Stator assembly              |
| 21      | YID710D-21 | 97440     | Downward Housing             |
| 22      | YID710D-22 | 97441     | Carbon brush assembly (pair) |

| KEY No. | PART No.   | STOCK No. | DESCRIPTION                     |
|---------|------------|-----------|---------------------------------|
| 27      | YID710D-27 | 97442     | Switch FA2-4/1BEK assembly      |
| 29      | YID710D-29 | 97527     | Cable protector                 |
| 30      | YID710D-30 | 97528     | Cable & plug                    |
| 33      | YID710D-33 | 97505     | Self-tapping screw ST4*16 (set) |
| 35      | YID710D-35 | 97443     | Upward housing                  |
| 37      | YID710D-37 | 97444     | Auxiliary handle                |
| 38      | YID710D-38 | 97445     | Depth stop                      |

Helpline: +44 (0) 23 8049 4344 Sales Desk: +44 (0) 23 8049 4333 General Enquiries: +44 (0) 23 8026 6355 internet: drapertools.com email: sales@drapertools.com