

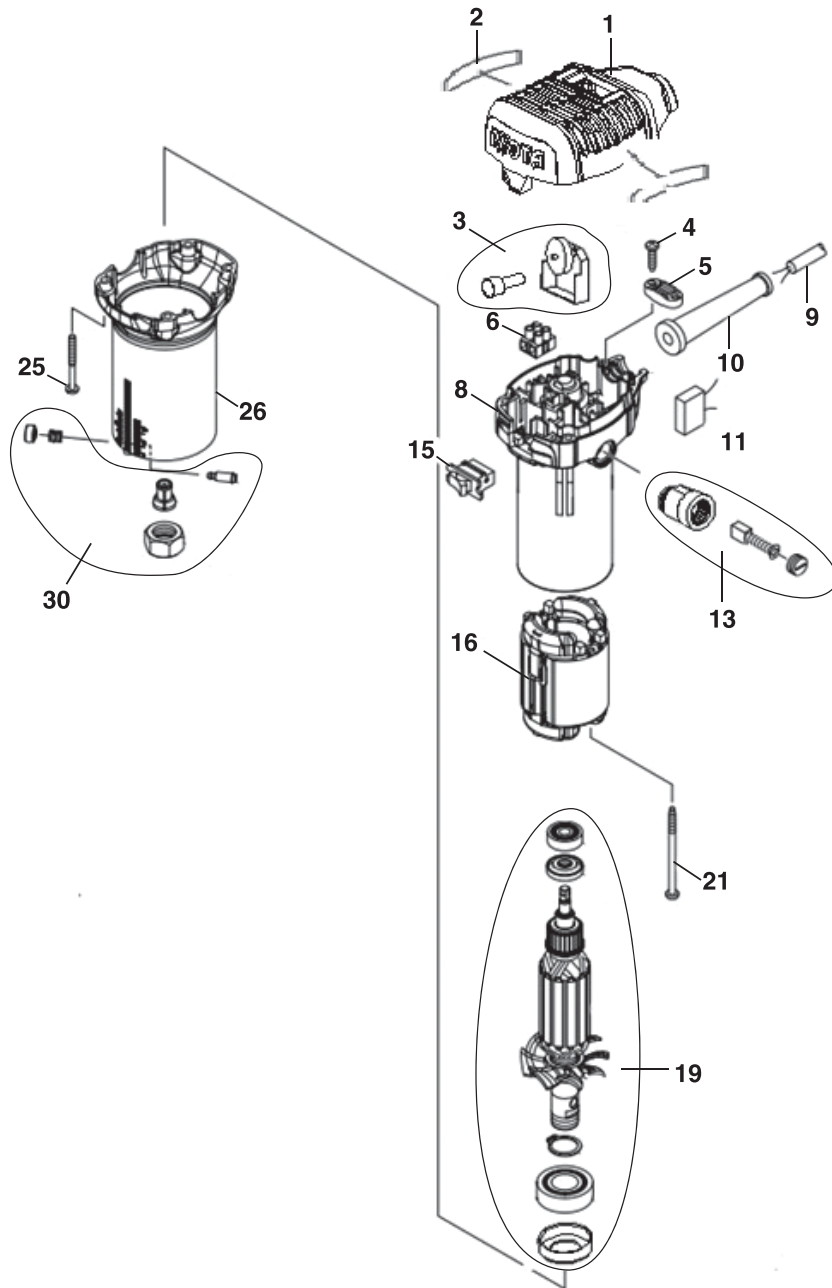
DRAPER®

230V

TRIMMING ROUTER

GB

58349 - PR710D SPARE PARTS DRAWING



KEY No.	PART No.	STOCK No.	DESCRIPTION
1	YPR710D-1	97086	Head cover
3	YPR710D-3	97087	Speed controler assembly
4	YPR710D-4	97089	Pointed self-tapping screws
5	YPR710D-5	97090	Tension disc
6	YPR710D-6	97091	Line bank
8	YPR710D-8	97092	Middle seat
9	YPR710D-9	97094	Cord plug
10	YPR710D-10	97095	Cord sleeve
11	YPR710D-11	97097	Capacity

KEY No.	PART No.	STOCK No.	DESCRIPTION
13	YPR710D-13	97098	Carbon brush assembly
15	YPR710D-15	97099	Switch
16	YPR710D-16	97100	Stator assembly
19	YPR710D-19	97102	Rotor assembly
21	YPR710D-21	97104	Tapping screw
25	YPR710D-25	97105	Tapping screw
26	YPR710D-26	97108	Housing
30	YPR710D-30	97118	Chuck assembly

Helpline: +44 (0) 23 8049 4344 Sales Desk: +44 (0) 23 8049 4333 General Enquiries: +44 (0) 23 8026 6355 internet: drapertools.com email: sales@drapertools.com

Draper Tools Limited, Hursley Road, Chandler's Ford, Eastleigh, Hampshire. SO53 1YF UK.

TAKC0219