

REVOLVING HEAD WOOD LATHE

■ STOCK No.58410 ■ PART No.WTL100A

PARTS LISTING

05/2000

KEY No.	PART No.	STOCK No.	DESCRIPTION
1	YWTL100A-01	62415	Head base
2	YWTL100A-02	62416	Head stock
3	YWTL100A-03	62417	Cover
4	YWTL100A-04	62418	Tall stock
5	YWTL100A-05	62419	Rear foot casting
6	YWTL100A-06	62420	Slide bed plate
7	YWTL100A-07	62421	Top slide bed plate
8	YWTL100A-08	62422	Screw (M6x8)
9	YWTL100A-09	62423	Location ball
10	YWTL100A-10	62424	locking handle (M8)
11	YWTL100A-11	62425	Spindle sleeve
12	YWTL100A-12	62426	Screw (M6x6)
13	YWTL100A-13	62427	Head stock spindle
14	YWTL100A-14	62428	Spindle pulley
15	YWTL100A-15	62429	Motor pulley
16	YWTL100A-16	62430	Tail stock spindle
17	YWTL100A-17	62431	Adjustable bolt
18	YWTL100A-18	62432	Spacer
19	YWTL100A-19	62433	Bed bar 1320mm
20	YWTL100A-20	62434	Hand wheel
21	YWTL100A-21	62435	Locking handle (M12)
22	YWTL100A-22	62436	Screw (M6x10)
23	YWTL100A-23	62437	Screw (M8x16)
24	YWTL100A-24	62438	Screw (M8x25)
25	YWTL100A-25	62439	Spring
26	YWTL100A-26	62440	V Belt
27	YWTL100A-27	62441	Retaining 'C' clip
28	YWTL100A-28	62442	Bearing (80204)
29	YWTL100A-29	62443	Locking handle (M8)
30	YWTL100A-30	62444	Tool rest handle
31	YWTL100A-31	62445	12" tool rest
32	YWTL100A-32	62446	6" tool rest
33	YWTL100A-33	62447	Hex bolt (M8x50)

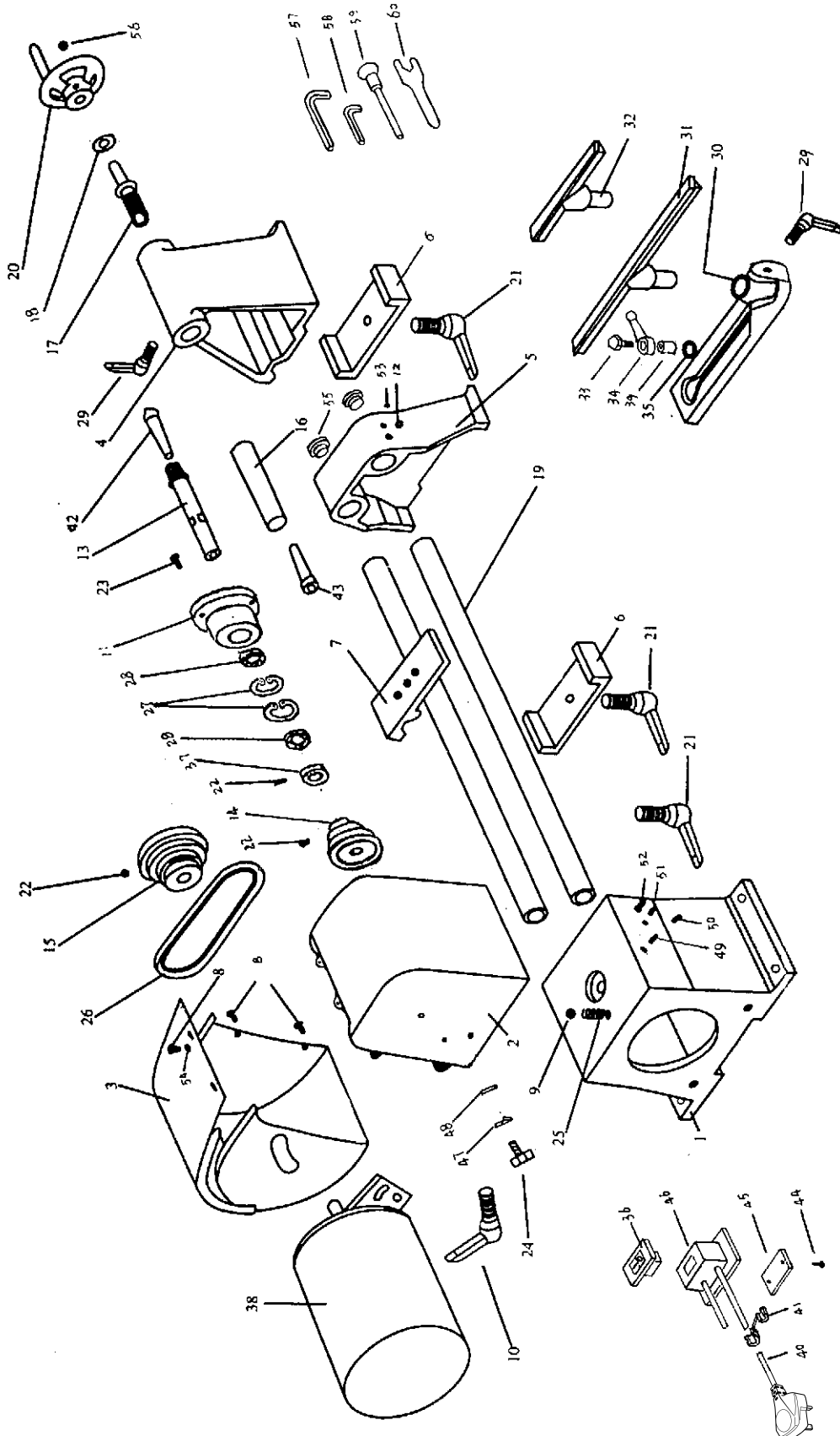
KEY No.	PART No.	STOCK No.	DESCRIPTION
34	YWTL100A-34	62448	Handle
35	YWTL100A-35	62449	Washer
36	YWTL100A-36	62450	No volt switch
37	YWTL100A-37	62451	Retaining ring
38	YWTL100A-38	62452	Motor
39	YWTL100A-39	62453	Bush
40	YWTL100A-40	62454	BS moulded plug and cable
41	YWTL100A-41	62455	Cable sheath
42	YWTL100A-42	62456	Centre spur
43	YWTL100A-43	62457	1MT cap centre
44	YWTL100A-44	62458	Self tapping screw
45	YWTL100A-45	62459	Switch plate
46	YWTL100A-46	62460	Switch box
47	YWTL100A-47	62461	Spring washer
48	YWTL100A-48	62462	Flat washer
49	YWTL100A-49	62463	Roll pin
50	YWTL100A-50	62464	Screw (M8x28)
51	YWTL100A-51	62465	Roll pin (6x30)
52	YWTL100A-52	62466	Screw (M8x28)
53	YWTL100A-53	62467	Roll pin (6x10)
54	YWTL100A-54	62468	Star washer
55	YWTL100A-55	62469	Stopper
56	YWTL100A-56	62470	Screw (M8x12)
57	YWTL100A-57	62471	4mm Hex key
58	YWTL100A-58	62472	3mm Hex key
59	YWTL100A-59	62473	Ejection pin
60	YWTL100A-60	62474	Spanner
*	YWTL100A	62475	Parts listing
*	YWTL100A	62476	Manual
*	YWTL100A	62477	Plain carton
*	YWTL100A	62478	Styrofoam
*	YWTL100A	62479	Sticker for carton

REVOLVING HEAD WOOD LATHE

■ STOCK No.58410 ■ PART No.WTL100A

PARTS DRAWING

05/2000



Helpline: (023) 8049 4344. Sales Desk: (023) 8049 4333. General Enquiries: (023) 8026 6355.