

DRAPER[®]

Steel Mesh Garden Cart

Stock No.58552

Part No.GMC

ASSEMBLY INSTRUCTIONS**06/2016**

CAUTION: Please read these assembly instructions fully **BEFORE** attempting to assemble this cart. Failure to comply with these instructions may result in injury. Do not load the garden cart with more than 200kg. Always distribute payload evenly over the surface of the bed. Do not operate or use on objects that can cause damage to the pneumatic tyres. Do not inflate tyres to more than 30psi (2.1bar). Save these instructions for further reference.

Warning:

This cart is not a toy. Do not allow children to play with this cart at any time. Do not exceed maximum load capacity 200kg on level ground.

DRAPER[®]

WHAT'S IN THE BOX?

PARTS LIST

Check that all parts are included with your Garden Cart prior to assembly.

(A) Handle.

QTY: 1PC.

(B) Axle bar.

QTY: 1PC.

(C) Bottom support.

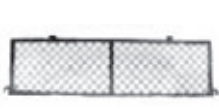
QTY: 1PC.

(D) Handle beam.

QTY: 1PC.

(E) Steel wheels.

QTY: 4PCS.

(F) Side fences.

QTY: 2PCS.

(G) Bed.

QTY: 1PC.

(H) Front and back fence.

QTY: 2PCS.

HARDWARE LIST

(1) Carriage support bolts 8mm x 16mm.

QTY: 8PCS.

(2) Carriage support bolt 8mm x 60mm.

QTY: 1PC.

(3) Nuts 8mm.

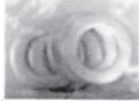
QTY: 9PCS.

(4) Washer 8mm

QTY: 9PCS.

(5) Fence assembly pins.

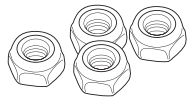
QTY: 8PCS.

(6) Washers 12mm, 17mm.

QTY: 5PCS.

(7) Pin.

QTY: 1PC.

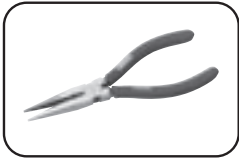
(8) M12 Lock nuts.

QTY: 4PCS.

PREPARATION FOR ASSEMBLY

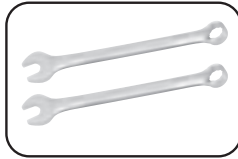
As your garden cart requires assembly, first check off the included parts and fittings against the listings on page 1 – ‘What’s in the box?’ section. Tools required for assembly include:

*Tools below are sold separately and shown for visual guidance only.



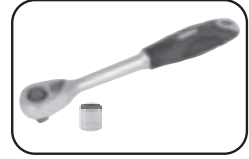
1 x 150mm
long nose pliers.

+



2 x 13mm spanners.

+

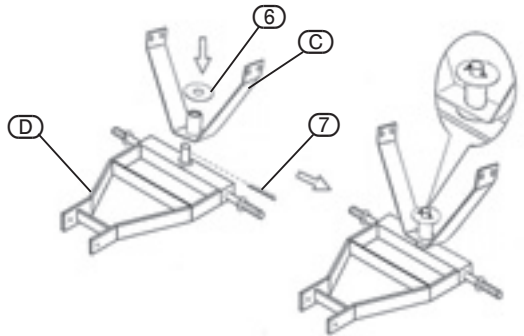


19mm Socket
and Ratchet

STEP 1: BOTTOM SUPPORT AND HANDLE BEAM

Assemble parts (C) and (D) together. Use washer (6) and pin (7) to secure as shown in the diagrams.

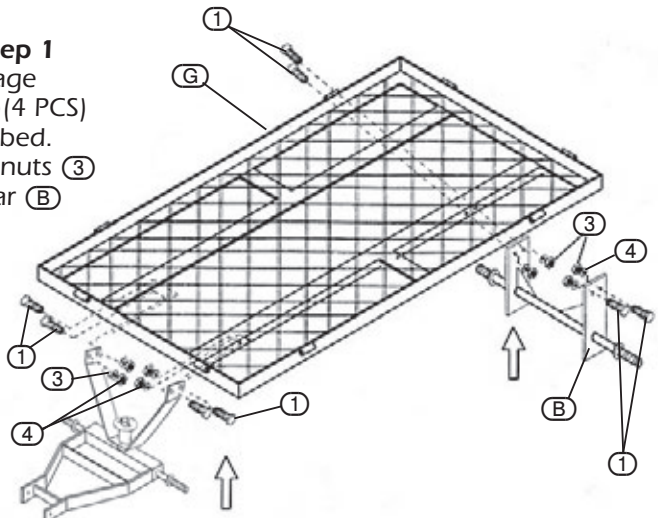
- (1PC) Bottom support (C)
- (1PC) Handle beam (D)
- (1PC) Washers 17mm (6)
- (1PC) Pin (7)



STEP 2: BED AND AXLE BAR

Connect assembled parts from **step 1** to the front of bed (G), use carriage support bolts (1) (4 PCS), nuts (3) (4 PCS) and washers (4) to fasten to the bed. Use remaining support bolts (1), nuts (3) and washers (4) to fasten axle bar (B) to the back of the bed.

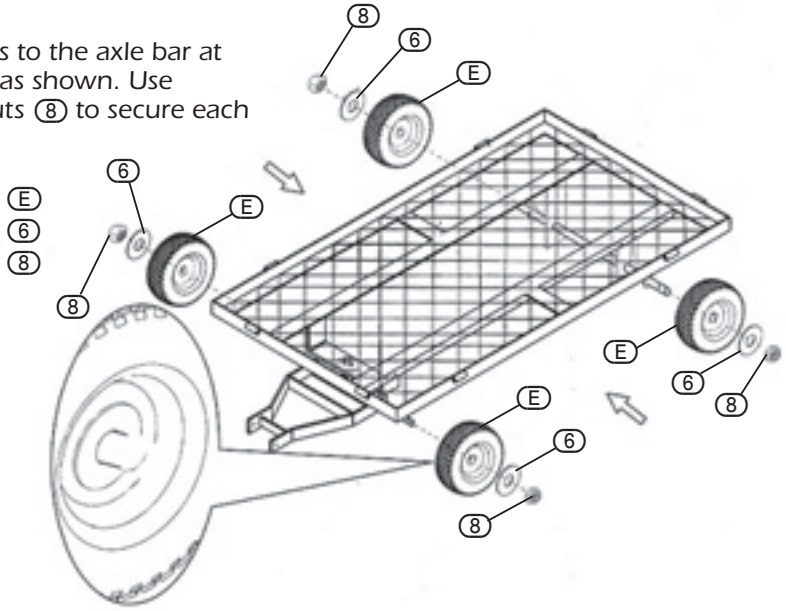
- (1PC) Axle bar (B)
- (1PC) Bed (G)
- (8PCS) Carriage support bolts 8mm x 16mm. (1)
- (8PCS) Nuts (3)
- (8PCS) Washer 8mm (4)



STEP 3: WHEELS

Connect the wheels to the axle bar at the front and back as shown. Use washers (6) and nuts (8) to secure each wheel.

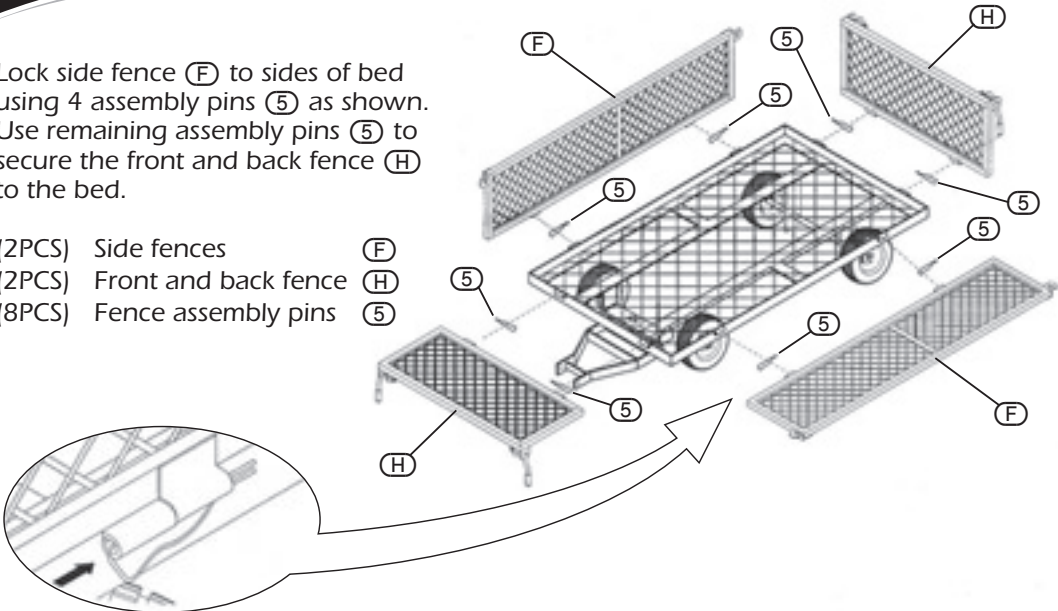
- (4PCS) Wheels
- (4PCS) Washers
- (4PCS) Nuts



STEP 4: FRAME

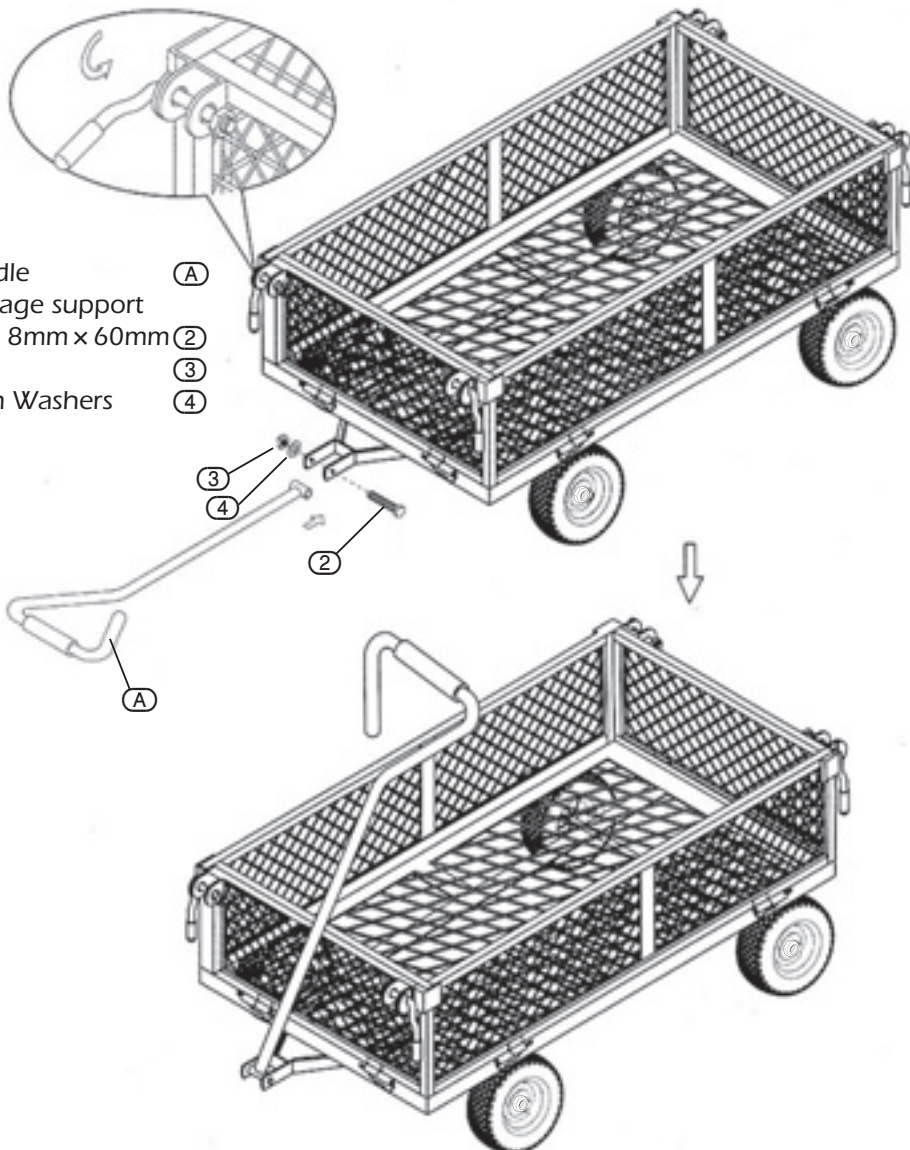
Lock side fence (F) to sides of bed using 4 assembly pins (5) as shown. Use remaining assembly pins (5) to secure the front and back fence (H) to the bed.

- (2PCS) Side fences
- (2PCS) Front and back fence
- (8PCS) Fence assembly pins



STEP 5: HANDLE

Use carriage support bolt (2), nut (3) and washer (4) to secure handle (A) to the handle beam.



**CHECK THAT ALL NUTS AND BOLTS ARE TIGHT AND SECURE PRIOR TO USE.
 YOUR GARDEN CART IS NOW READY FOR USE.**