

WOOD LATHE STAND

■ STOCK No.63196

■ PART No.AWL18



SPECIFICATION

Thickness - table 2.0mm
 - legs 1.5mm
 Weight 19kg



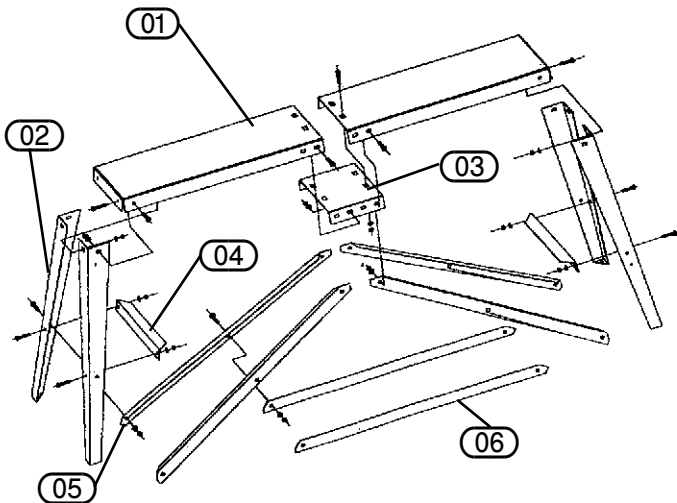
UNPACKING

Carefully unpack the wood lathe stand and all contents from the carton. Check that all the parts are present (see assembly).



ASSEMBLY

To assemble the wood lathe stand use the illustration below ensuring all nuts and bolts are fully tightened.



Key	Description	Qty	Part No.	Stock No.
01	Top	2	YAWL18-01	64738
02	Leg	4	YAWL18-02	64739
03	Centre supp.	1	YAWL18-03	64740
04	Cross brace	2	YAWL18-04	64741
05	Angle	4	YAWL18-05	64742
06	Cross brace	2	YAWL18-06	64743
*	Fixings	1	YAWL18-07	64744



FASTENING THE WOOD LATHE STAND TO FLOOR/SUPPORTING SURFACE

The wood lathe stand should always be fastened to the floor or a supporting surface. To fasten the stand select four suitable fixing bolts, (not supplied) and secure.



FASTENING YOUR WOOD LATHE TO THE STAND

The wood lathe stand is suitable for WTL30/WTL100A variable speed wood lathes. Place the wood lathe on the stand and mark where the wood lathe fixing holes are required, drill to size and fasten using suitable nuts and bolts (not supplied).