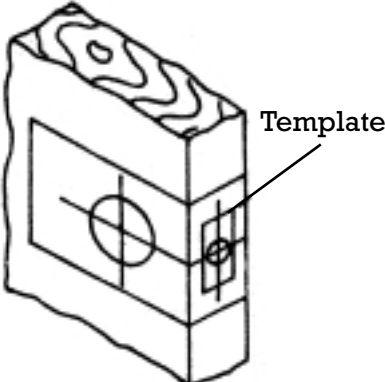


- STOCK No.63216    ■ PART No. HW-DK3
- STOCK No.63219    ■ PART No. HW-DK6

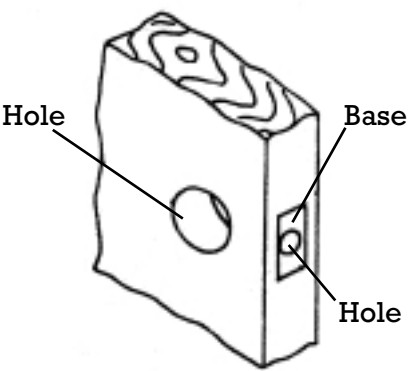
## ● INSTALLATION INSTRUCTIONS ●

**1. Mark Door**



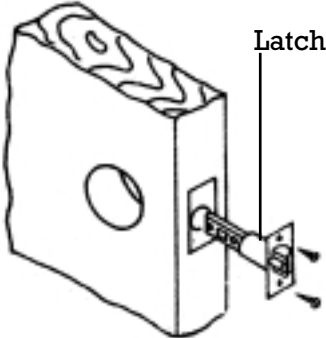
● Mark site of lock using template.

**2. Bore Holes**

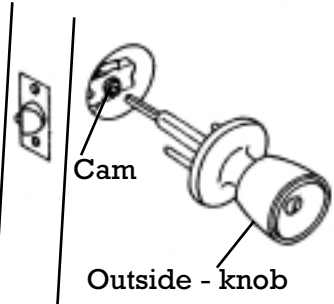


- Bore the holes through the door.
- Cut out base.

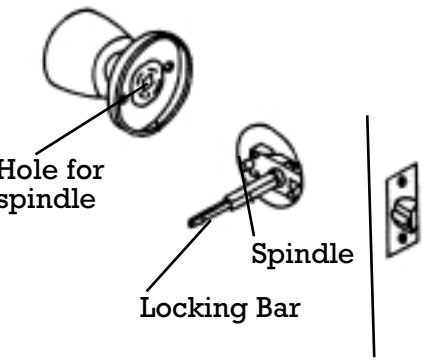
**3. Install Latch**



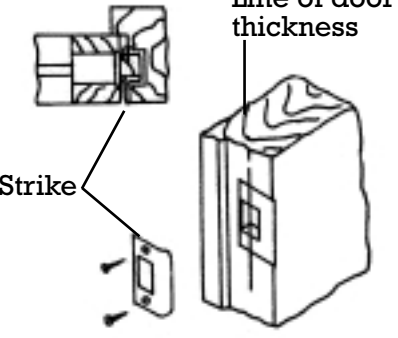
**4. Install Outside - Knob**



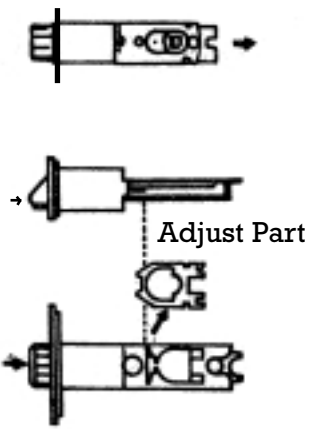
**5. Install Inside - Knob**



**6. Install Strike**



**7. Instructions for Adjustable Latch**



The cam is pushed fully to the right for 70mm backset. (During the adjustment keep two teeth of the cam in the forward position.)

---

Push the latch inward, take off the adjustment part for 70mm backset.