



SPARE PARTS DRAWING SHEET FOR
100A 230V
Gasless MIG Welder

Stock No.63669 Part No.MIG100

KEY No.	PART No.	STOCK No.	DESCRIPTION
1	Y-MIG100-01	61525	Screw
2	Y-MIG100-02	61583	Handle
3	Y-MIG100-03	61669	Top panel
4	Y-MIG100-04	61670	Left panel
5	Y-MIG100-05	61671	Middle panel
6	Y-MIG100-06	61672	Wire feeder
7	Y-MIG100-07	61674	Screw
8	Y-MIG100-08	61675	Wire spool holder
9	Y-MIG100-09	61676	Screw
10	Y-MIG100-10	61677	Spacer
11	Y-MIG100-11	61679	Nut
12	Y-MIG100-12	61757	Rivet
13	Y-MIG100-13	61762	Guard ring of torch
14	Y-MIG100-14	61766	Transformer
15	Y-MIG100-15	61767	Bottom panel
16	Y-MIG100-16	61793	Thermal protection
17	Y-MIG100-17	61804	Screw

KEY No.	PART No.	STOCK No.	DESCRIPTION
18	Y-MIG100-18	61816	Nut
19	Y-MIG100-19	61819	Potionmeter
20	Y-MIG100-20	63772	PC board
21	Y-MIG100-21	63791	Welding torch
22	Y-MIG100-22	63792	Kickstand
23	Y-MIG100-23	63795	Knob
24	Y-MIG100-24	63808	Fan
25	Y-MIG100-25	63819	Overheating indicator light
26	Y-MIG100-26	63820	Power switch
27	Y-MIG100-27	63821	Adjustment switch
28	Y-MIG100-28	63822	Water joint
29	Y-MIG100-29	63823	Earth clamp
30	Y-MIG100-30	63824	3-pin plug
31	Y-MIG100-31	63825	Screw
32	Y-MIG100-32	63831	Plastic foot
33	Y-MIG100-33	63861	Screw and spacer
34	Y-MIG100-34	63914	Right panel

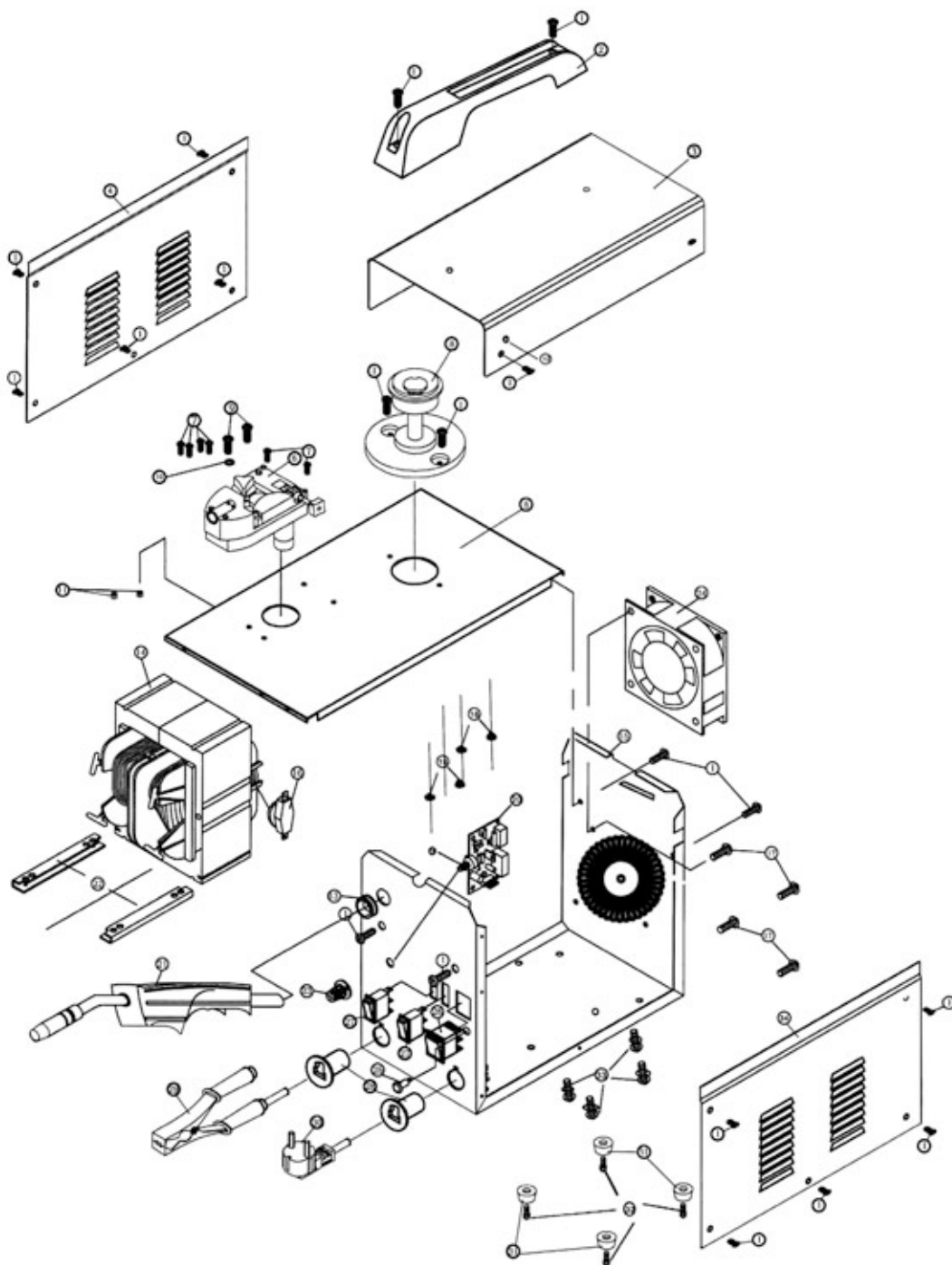
Helpline: (023) 8049 4344. Sales Desk: (023) 8049 4333. General Enquiries: (023) 8026 6355.

DRAPER TOOLS LTD, HURSLEY ROAD, CHANDLER'S FORD, EASTLEIGH, HANTS. SO53 1YF. U.K. Website: www.drapertools.com e-mail: sales@drapertools.com



SPARE PARTS DRAWING SHEET FOR
100A 230V
Gasless MIG Welder

Stock No.63669 Part No.MIG100



Helpline: (023) 8049 4344. **Sales Desk:** (023) 8049 4333. **General Enquiries:** (023) 8026 6355.

DRAPER TOOLS LTD, HURSLEY ROAD, CHANDLER'S FORD, EASTLEIGH, HANTS. SO53 1YF. U.K. Website: www.drapertools.com e-mail: sales@drapertools.com

KCDH1116