



THE TOOL COMPANY

60 WATT SQUARE  
**WALL LAMP**  
WITH P.I.R. MOVEMENT SENSOR

■ STOCK No.64280  
64281

■ PART No.WL8B  
WL8W

•INSTRUCTIONS•

**IMPORTANT:** PLEASE READ THESE INSTRUCTIONS  
CAREFULLY TO ENSURE THE SAFE AND EFFECTIVE USE OF THIS LIGHT UNIT



03/2001



# DECLARATION OF CONFORMITY

We

Draper Tools Ltd. Hursley Road, Chandler's Ford, Eastleigh, Hampshire. SO53 1YF. England.

Declare under our sole responsibility that the product:

**Stock No:-**64280 & 64281      **Part No:-**WL8B & WL8W

**Description:-** Wall lamp with PIR

To which this declaration relates is in conformity with the following directive(s):- 73/23/EEC & 89/336/EEC.

With reference to:- EN60588-2-7, EN60598-1/A13, EN60669-1A2, EN60669-2-1/A11, EN55015, EN61000-3-2/A13, EN61547 & EN61000-3-3.

JOHN DRAPER  
Managing Director

28/02/2001



# GUARANTEE

Draper electric lights have been carefully tested and inspected before shipment and are guaranteed to be free from defective materials and workmanship for a period of 12 months from the date of purchase except where items are hired out when the guarantee period is ninety days from the date of purchase.

Should the light develop any fault, please return the complete item to your nearest authorized warranty repair agent or contact Draper Tools Limited, Chandlers Ford, Eastleigh, Hampshire. SO53 1YF. England. Telephone: (023) 8049 4344.

If upon inspection it is found that the fault occurring is due to defective materials or workmanship, repairs will be carried out free of charge. This guarantee does not apply to normal wear and tear, nor does it cover any damage caused by misuse, careless or unsafe handling, alterations, accident, or repairs attempted or made by any personnel other than the authorized Draper warranty repair agent.

This guarantee applies in lieu of any other guarantee expressed or implied and variations of its terms are not authorized.

Your Draper guarantee is not effective unless you can produce upon request a dated receipt or invoice to verify your proof of purchase within the 12 month period.

Please note that this guarantee is an additional benefit and does not effect your statutory rights.

Bulbs are a consumable and are not covered by this guarantee.

DRAPER TOOLS LIMITED.

# SPECIFICATION

Whilst every effort has been made to ensure that the accuracy of information given in this booklet is correct at time of going to print, the Draper Tools policy of continuous improvement determines the right to change specification without notice.

Voltage .....	230V A.C. /50Hz.
Range .....	up to 12M
Coverage range .....	180 to 200°
Maximum load rating.....	60W
Bulb fixing type .....	Edison screw

# INSTALLATION

**CAUTION:** We recommend this lamp is installed by a qualified electrician. Switch off main power supply before installation.

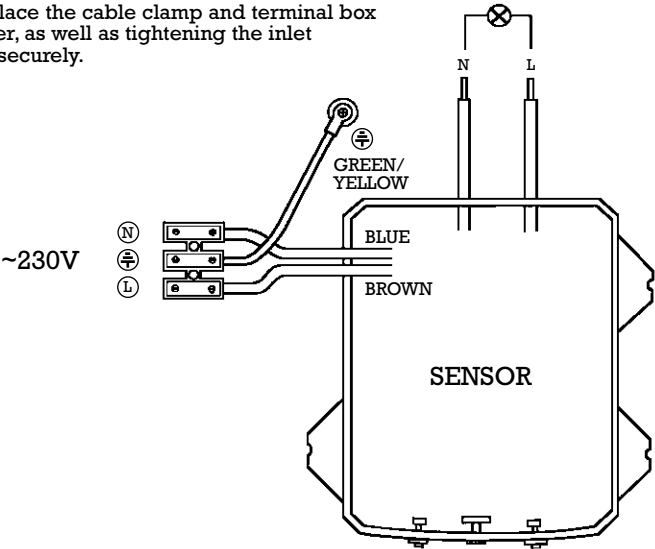
**FITTING BULBS**

1. Remove the lamp cover by undoing the retaining bolts.
2. Place the bulb into the bulb socket housing and tighten using finger tight pressure only - **Do not overtighten.**
3. Replace the lamp cover and secure in place using the relevant fixings and any waterproof seals supplied.

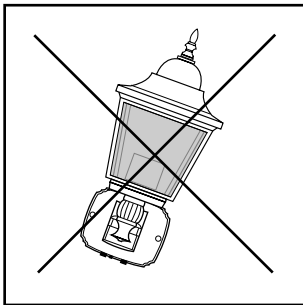
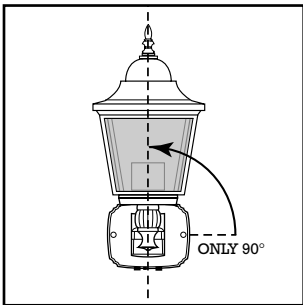
**WIRING THE LAMP**

(Brown=Live, Blue=Neutral, Green/Yellow=Earth)

1. Open terminal box cover and remove cable clamp.
2. Undo inlet nut and remove rubber sealing ring.
3. Thread correct size power cable (not supplied) through inlet nut and sealing ring.
4. Insert the ends of the cables into their relevant terminals and tighten.
5. Replace the cable clamp and terminal box cover, as well as tightening the inlet nut securely.



# INSTALLATION Cont'd.



### MOUNTING THE LAMP

The lamp must be securely fixed to vertical surfaces by using the holes provided in the back plate of the lamp.

# OPERATION

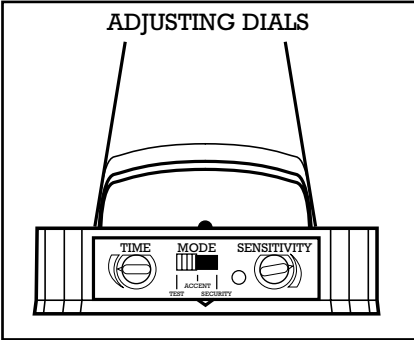
The detector unit is equipped with two adjustable dials.

### TIME ADJUSTMENT

This dial will adjust the amount of time the lamp will remain illuminated after detection of movement. The time delay is adjustable from six seconds to ten minutes. Turn the dial clockwise to increase the lighting time, or anticlockwise to decrease it.

### SENSITIVITY ADJUSTMENT

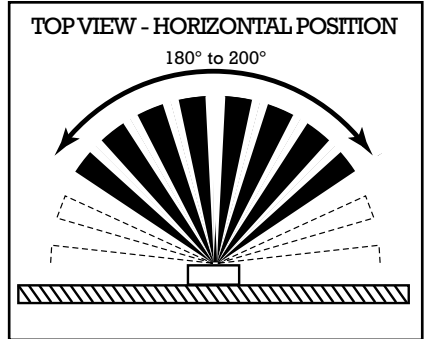
This dial will adjust the responsiveness of the infra-red detector unit. Turn the dial clockwise to increase the sensitivity of the lamp, or anticlockwise to decrease it.



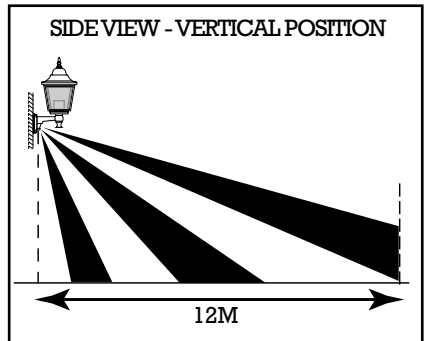
## FIELD OF DETECTION

The field of detection for the infra-red lamp can be adjusted to a maximum of 30° in the horizontal position and 30° in the vertical position. The benefit of this feature is it excludes any false detections from neighbouring areas.

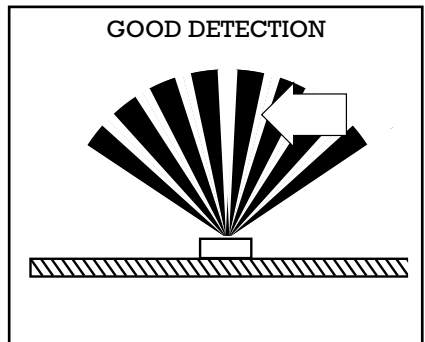
The fixed horizontal position has a permanent 180° to 200° field of detection.



The vertical position can be reduced or expanded within the range shown in the diagram.

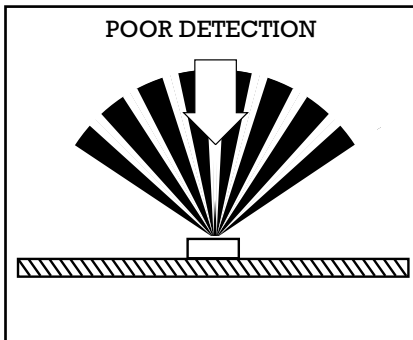


The best detection is obtained by approaching the field of detection at 90° to the direction in which the detector unit is facing.



## FIELD OF DETECTION Cont'd.

If the field of detection is approached in the same direction as the detector unit is facing, the response time in some cases will be delayed.

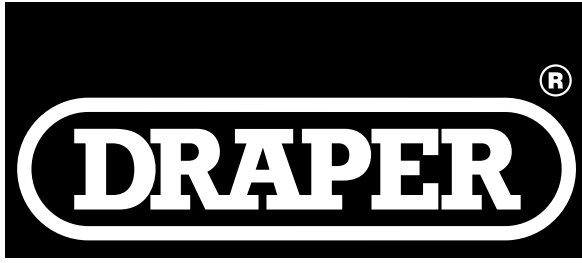


## POTENTIAL PROBLEMS

- Ventilation ducts, such as the hot air discharge from a vapour cap or dryer, can cause the lamp to switch on when it is not required.
- Passing traffic (warm engines), can cause the lamp to switch itself on.
- Nearby trees and bushes, etc., can cause the lamp to switch on with sudden gusts of wind or temperature changes.
- If the lamp has been placed in a dark or shaded location, the lamp may stay on during daylight hours.
- The lamp will not work satisfactorily if the field of detection is not broken.
- If the temperature difference between the object and its surrounding area is too small (especially in summertime), the lamp will respond later. The range of detection will be ten metres instead of twelve metres.
- If there are electromagnetic interferences greater than 4KV electrostatic discharge, 3V/m electromagnetic HF-field and 1KV electrical fast transient burst, then the lamp may switch on inadvertently.
- If the lamp does not work, the bulb may be defective – replace if necessary. If the bulb is okay check the mains fuse for failure. If these are tested and found to be okay, consult a qualified electrician.
- Bulbs are a consumable and not covered by the Draper warranty.



**NOTES**



## THE TOOL COMPANY

### **DRAPER TOOLS LIMITED,**

Hursley Road, Chandler's Ford, Eastleigh, Hants. SO53 1YF. U.K.

Helpline: (023) 8049 4344.

Sales Desk: (023) 8049 4333.

General Enquiries: (023) 8026 6355.

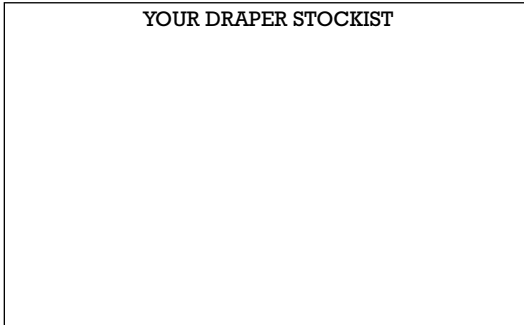
Fax: (023) 8026 0784.



[www.draper.co.uk](http://www.draper.co.uk)

e-mail: [sales@draper.co.uk](mailto:sales@draper.co.uk)

YOUR DRAPER STOCKIST



©Published by Draper Tools Ltd.

No part of this publication may be reproduced, stored in a retrieval system or transmitted in any form or by any means, electronic, mechanical photocopying, recording or otherwise without prior permission in writing from Draper Tools Ltd.