



SPARE PARTS LISTING SHEET FOR

1/2" Square Drive Compact Composite Body Air Impact Wrench

Stock No.65017

Part No.SFAI12

KEY No.	PART No.	STOCK No.	DESCRIPTION
1	YAI12-01	45792	Housing.
2	YAI12-02	45909	Front housing.
3	YAI12-03	45914	Oily bushing.
4	YAI12-04	45915	Anti-off circle.
5	YAI12-05	45917	O-ring.
6	YAI12-06	45918	Driving shaft.
7	YAI12-07	45919	Hammer cage.
8	YAI12-08	45926	Pin.
9	YAI12-09	45929	Hammer dog.
10	YAI12-10	45931	Cam.
11	YAI12-11	45933	Front gasket.
12	YAI12-12	45935	Bearing.
13	YAI12-13	46019	Front cylinder head.
14	YAI12-14	46020	Blade.
15	YAI12-15	46052	Rotor.
16	YAI12-16	46125	Straight pin.
17	YAI12-17	46126	Cylinder.
18	YAI12-18	46132	Straight pin.
19	YAI12-19	46141	Back cylinder head.

KEY No.	PART No.	STOCK No.	DESCRIPTION
20	YAI12-20	46142	Rear gasket.
21	YAI12-21	46143	Adjustment dial.
22	YAI12-22	46144	Spring.
23	YAI12-23	46145	Top sleeve.
24	YAI12-24	46146	O-ring.
25	YAI12-25	46147	O-ring.
26	YAI12-26	46148	Cap.
27	YAI12-27	46161	Screw.
28	YAI12-28	46164	Trigger.
29	YAI12-29	46293	Pin.
30	YAI12-30	46430	Straight pin.
31	YAI12-31	46431	Eye ring.
32	YAI12-32	46432	Valve pole.
33	YAI12-33	46433	Valve.
34	YAI12-34	46434	Spring.
35	YAI12-35	46435	Muffle cover.
36	YAI12-36	46436	Air inlet connector.
37	YAI12-37	46437	O-ring.
38	YAI12-38	46438	Muffle cotton.

Helpline: (023) 8049 4344. Sales Desk: (023) 8049 4333. General Enquiries: (023) 8026 6355.

DRAPER TOOLS LTD, HURSLEY ROAD, CHANDLER'S FORD, EASTLEIGH, HANTS. SO53 1YF. U.K website: www.drapertools.com e-mail: sales@drapertools.com

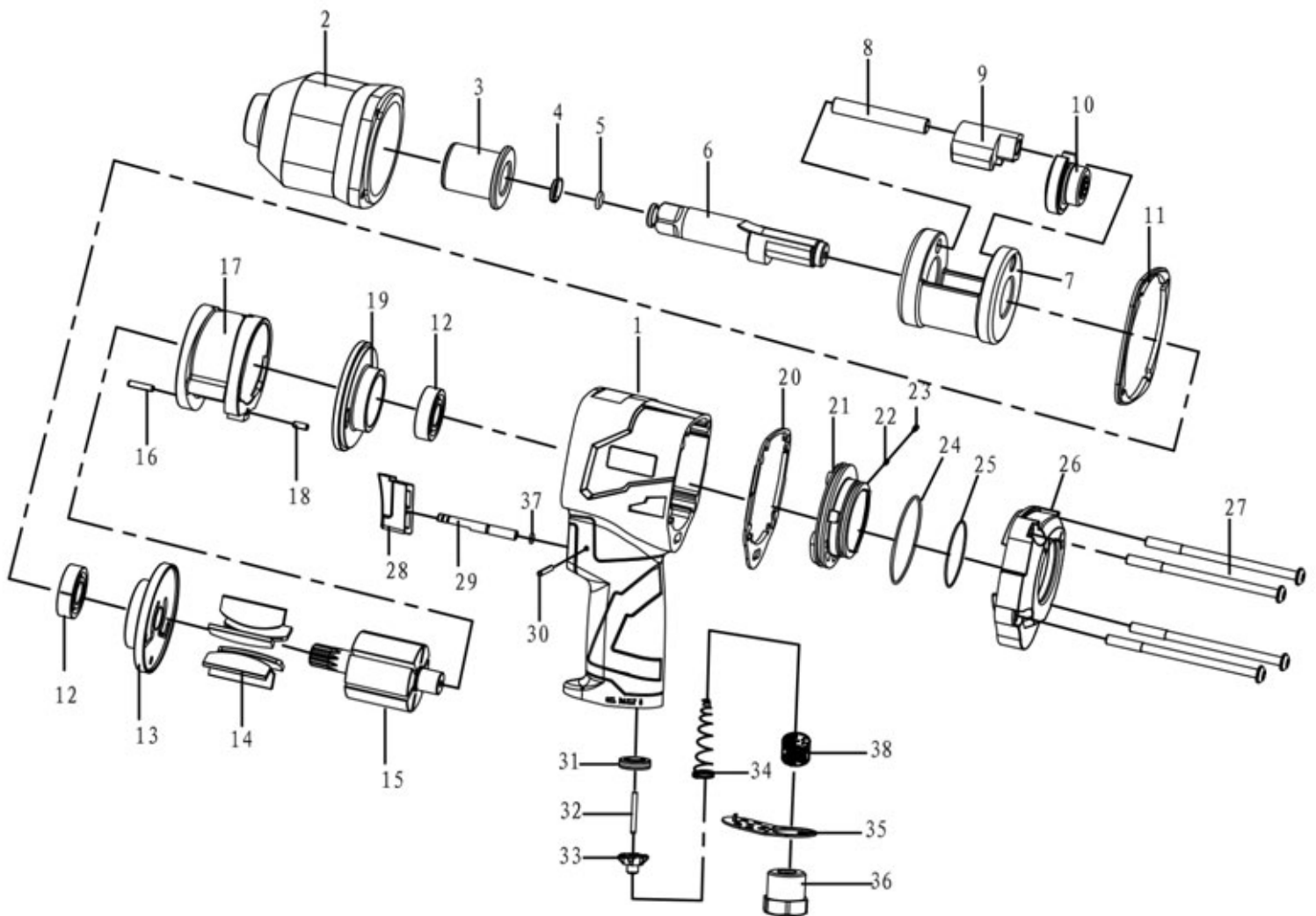


SPARE PARTS DRAWING SHEET FOR

1/2" Square Drive Compact Composite Body Air Impact Wrench

Stock No.65017

Part No.SFAI12



Helpline: (023) 8049 4344. **Sales Desk:** (023) 8049 4333. **General Enquiries:** (023) 8026 6355.

DRAPER TOOLS LTD, HURSLEY ROAD, CHANDLER'S FORD, EASTLEIGH, HANTS. SO53 1YF. U.K website: www.drapertools.com e-mail: sales@drapertools.com

RWKC141014