

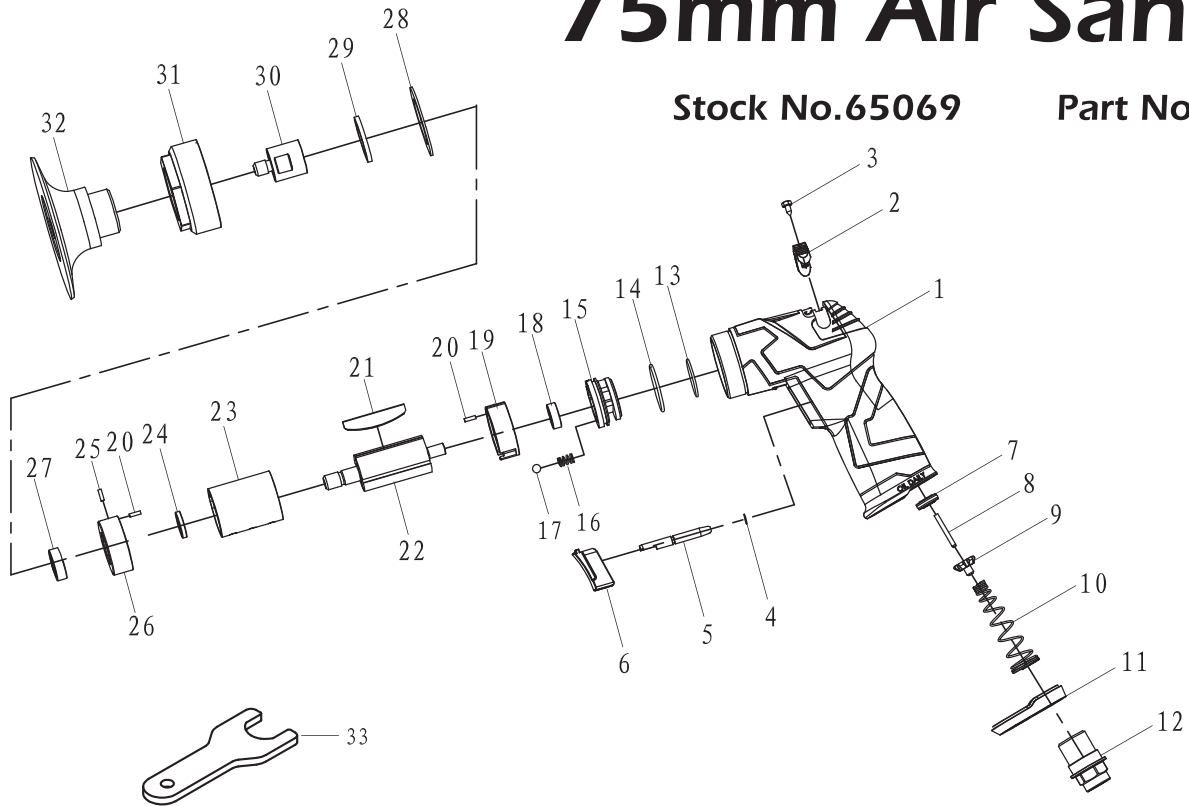
DRAPER

®

SPARE PARTS LISTING & DRAWING SHEET FOR Compact Composite 75mm Air Sander

Stock No.65069

Part No.SFAS75



KEY No.	PART No.	STOCK No.	DESCRIPTION
1	YSFAS75-01	66268	Housing
2	YSFAS75-02	66269	Switch
3	YSFAS75-03	66270	Screw
4	YSFAS75-04	66271	O-ring
5	YSFAS75-05	66282	Pin
6	YSFAS75-06	66283	Trigger
7	YSFAS75-07	66285	Gasket
8	YSFAS75-08	66289	Valve pole
9	YSFAS75-09	66290	Switch valve
10	YSFAS75-10	66291	Off valve spring
11	YSFAS75-11	66292	Muffle cover
12	YSFAS75-12	66293	Air inlet connector
13	YSFAS75-13	66294	O-ring
14	YSFAS75-14	66295	O-ring
15	YSFAS75-15	66296	One-way valve
16	YSFAS75-16	66297	Spring
17	YSFAS75-17	66298	Ball

KEY No.	PART No.	STOCK No.	DESCRIPTION
18	YSFAS75-18	66299	Bearing
19	YSFAS75-19	66300	Back cylinder head
20	YSFAS75-20	66301	Pin
21	YSFAS75-21	66302	Blade
22	YSFAS75-22	66303	Rotor
23	YSFAS75-23	66304	Cylinder
24	YSFAS75-24	66305	Washer
25	YSFAS75-25	66306	Pin
26	YSFAS75-26	66307	Front cylinder head
27	YSFAS75-27	66308	Bearing
28	YSFAS75-28	66310	Washer
29	YSFAS75-29	66311	O-ring
30	YSFAS75-30	66312	Connecting seat
31	YSFAS75-31	75125	Locking ring
32	YSFAS75-32	75165	Backing pad
33	YSFAS75-33	75167	Wrench

Helpline: (023) 8049 4344. Sales Desk: (023) 8049 4333. General Enquiries: (023) 8026 6355.

DRAPER TOOLS LTD, HURSLEY ROAD, CHANDLER'S FORD, EASTLEIGH, HANTS. SO53 1YF. U.K website: www.drapertools.com e-mail: sales@drapertools.com

DKMC101114