



SPARE PARTS LISTING SHEET FOR

# 6mm 90° Straight Air Die Grinder

Stock No.65137

Part Nos.SFAG90

KEY No.	PART No.	STOCK No.	DESCRIPTION
1	YSFAG90-01	66030	Housing
2	YSFAG90-02	66042	Trigger
3	YSFAG90-03	66069	Safety Latch
4	YSFAG90-04	66070	Spring
5	YSFAG90-05	66071	Pin
6	YSFAG90-06	66073	Pin
7	YSFAG90-07	66074	O-ring
8	YSFAG90-08	66077	Muffle cover
9	YSFAG90-09	66080	O-ring
10	YSFAG90-10	66086	Air inlet connector
11	YSFAG90-11	66087	Pin
12	YSFAG90-12	66094	Spring
13	YSFAG90-13	66097	Screw
14	YSFAG90-14	66099	O-ring
15	YSFAG90-15	66104	Pin
16	YSFAG90-16	66106	O-ring
17	YSFAG90-17	66107	Spring
18	YSFAG90-18	66108	O-ring
19	YSFAG90-19	66109	Dial
20	YSFAG90-20	66110	Sealing Gasket
21	YSFAG90-21	66111	Bearing
22	YSFAG90-22	66112	Back Cylinder Head
23	YSFAG90-23	66113	Pin

KEY No.	PART No.	STOCK No.	DESCRIPTION
24	YSFAG90-24	66114	Blade
25	YSFAG90-25	66115	Rotor
26	YSFAG90-26	66116	Cylinder
27	YSFAG90-27	66117	Washer
28	YSFAG90-28	66118	Pin
29	YSFAG90-29	66120	Front cylinder head
30	YSFAG90-30	66121	Bearing
31	YSFAG90-31	66122	Driving bevel gear
32	YSFAG90-32	66123	Locking ring
33	YSFAG90-33	66124	Nut
34	YSFAG90-34	66130	L Connector
35	YSFAG90-35	66131	Oil inlet
36	YSFAG90-36	66136	Bearing
37	YSFAG90-37	66137	Transmission gear
38	YSFAG90-38	66138	Retainer
39	YSFAG90-39	66139	Driving shaft
40	YSFAG90-40	66140	Key
41	YSFAG90-41	66146	Collet
42	YSFAG90-42	66147	Collet nut
43	YSFAG90-43	66148	Large spanner
44	YSFAG90-44	74887	Small spanner

**Helpline: (023) 8049 4344. Sales Desk: (023) 8049 4333. General Enquiries: (023) 8026 6355.**

DRAPER TOOLS LTD, HURSLEY ROAD, CHANDLER'S FORD, EASTLEIGH, HANTS. SO53 1YF. U.K website: [www.drapertools.com](http://www.drapertools.com) e-mail: [sales@drapertools.com](mailto:sales@drapertools.com)

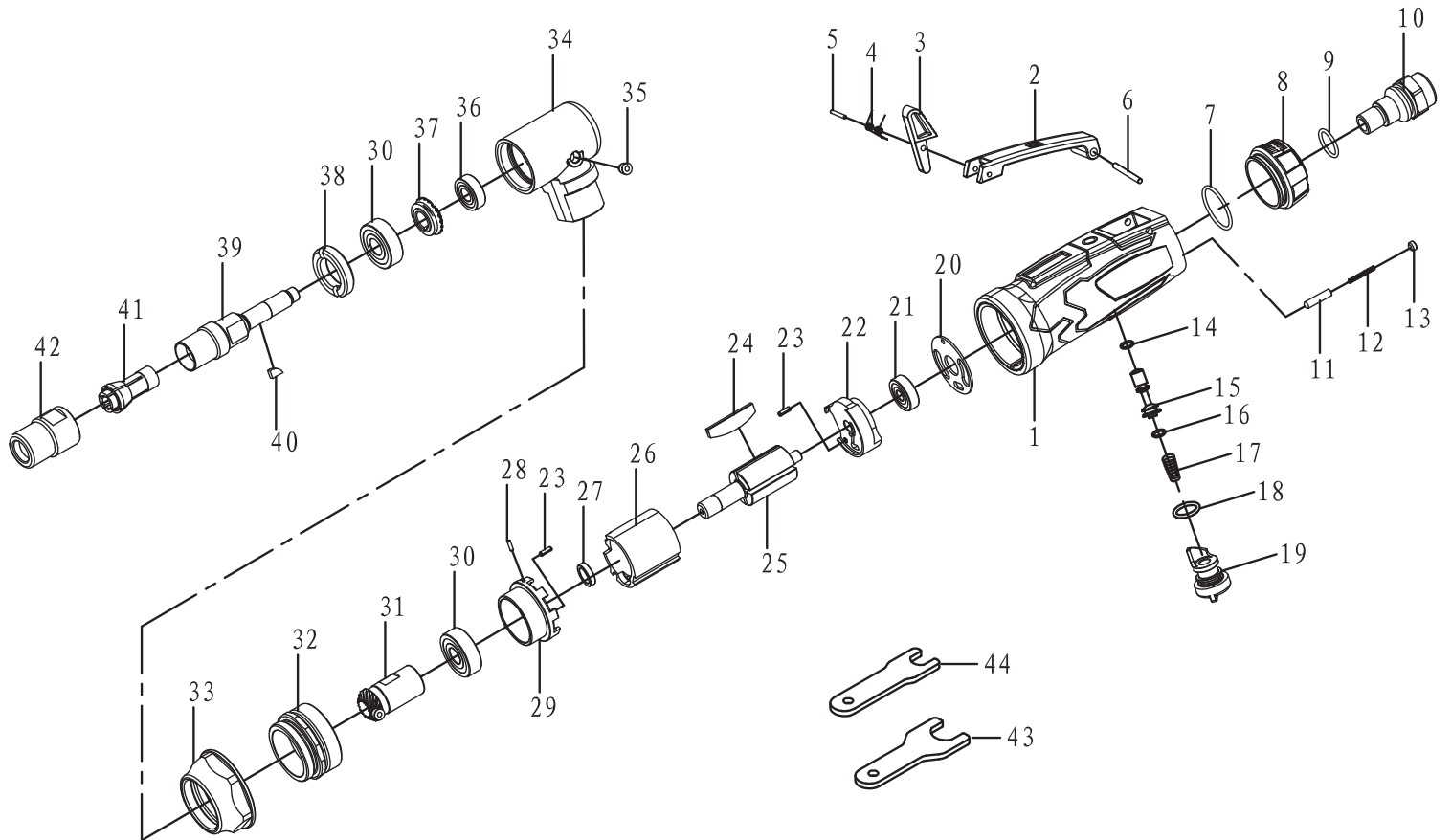


SPARE PARTS DRAWING SHEET FOR

# 6mm 90° Straight Air Die Grinder

Stock No.65137

Part Nos.SFAG90



**Helpline:** (023) 8049 4344. **Sales Desk:** (023) 8049 4333. **General Enquiries:** (023) 8026 6355.

DRAPER TOOLS LTD, HURSLEY ROAD, CHANDLER'S FORD, EASTLEIGH, HANTS. SO53 1YF. U.K website: [www.drapertools.com](http://www.drapertools.com) e-mail: [sales@drapertools.com](mailto:sales@drapertools.com)

RWMC111114