

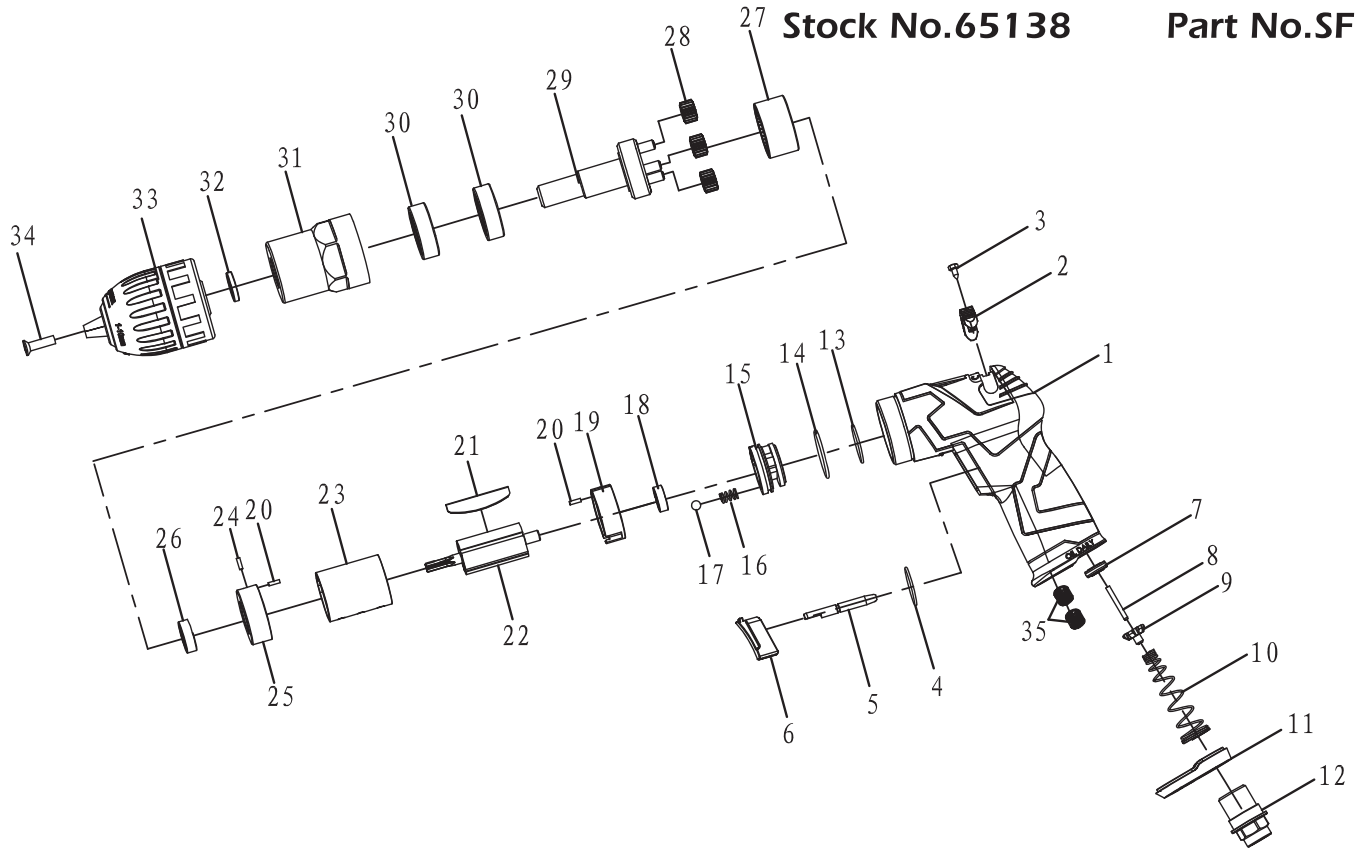
DRAPER

®

SPARE PARTS LISTING & DRAWING SHEET FOR 3/8" Reversible Air Drill

Stock No.65138

Part No.SFRAD



KEY No.	PART No.	STOCK No.	DESCRIPTION
1	YSFRAD-01	66819	Housing
2	YSFRAD-02	66820	Lever
3	YSFRAD-03	66823	Screw
4	YSFRAD-04	66825	O-Ring
5	YSFRAD-05	66828	Pin
6	YSFRAD-06	66832	Trigger
7	YSFRAD-07	66833	Gasket
8	YSFRAD-08	66834	Valve pole
9	YSFRAD-09	66835	Switch valve
10	YSFRAD-10	66836	Off valve spring
11	YSFRAD-11	66837	Muffle cover
12	YSFRAD-12	66838	Air inlet connector
13	YSFRAD-13	66839	O-ring
14	YSFRAD-14	66840	O-ring
15	YSFRAD-15	66841	Reversing valve
16	YSFRAD-16	66842	Spring
17	YSFRAD-17	66844	Ball
18	YSFRAD-18	66850	Bearing

KEY No.	PART No.	STOCK No.	DESCRIPTION
19	YSFRAD-19	66854	Back cylinder head
20	YSFRAD-20	66855	Pin
21	YSFRAD-21	66857	Blade
22	YSFRAD-22	66858	Rotor
23	YSFRAD-23	66868	Cylinder
24	YSFRAD-24	66873	Pin
25	YSFRAD-25	66874	Front cylinder head
26	YSFRAD-26	66876	Bearing
27	YSFRAD-27	66879	Gear ring
28	YSFRAD-28	66880	Planet gear
29	YSFRAD-29	66884	Drive shaft component
30	YSFRAD-30	66888	Bearing
31	YSFRAD-31	66890	Locking ring
32	YSFRAD-32	75055	Washer
33	YSFRAD-33	75057	Keyless chuck
34	YSFRAD-34	75059	Screw
35	YSFRAD-35	75076	Muffle cotton

Helpline: (023) 8049 4344. Sales Desk: (023) 8049 4333. General Enquiries: (023) 8026 6355.

DRAPER TOOLS LTD, HURSLEY ROAD, CHANDLER'S FORD, EASTLEIGH, HANTS. SO53 1YF. U.K website: www.drapertools.com e-mail: sales@drapertools.com

RWMC101114