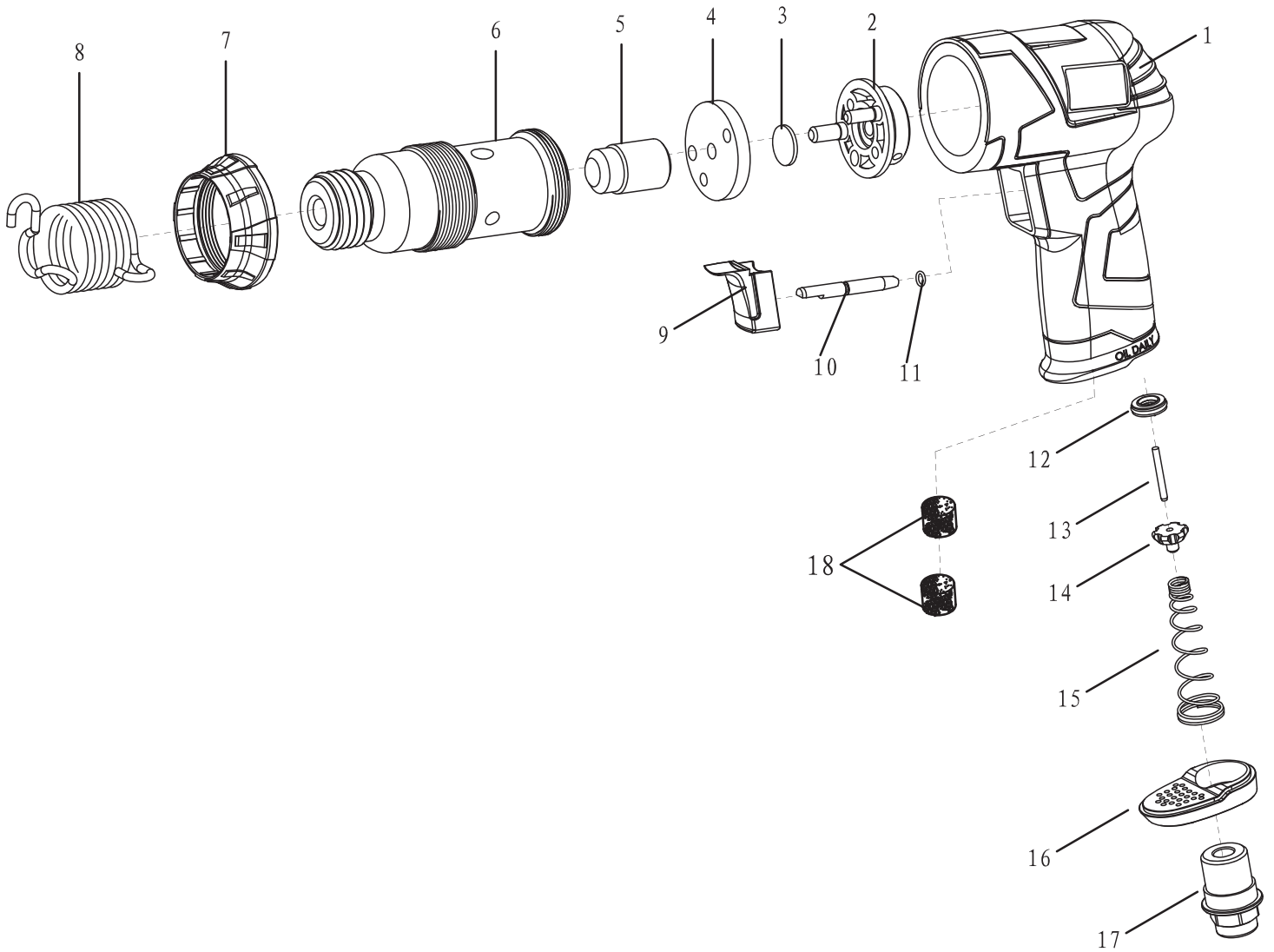




SPARE PARTS LISTING & DRAWING SHEET FOR

Composite Air Hammer

Stock No.65142 Part No.SFAH4



KEY No.	PART No.	STOCK No.	DESCRIPTION
1	YSFAH4-01	66909	Housing
2	YSFAH4-02	66925	Sealing Valve
3	YSFAH4-03	66941	Valve Plate
4	YSFAH4-04	67022	Sealing Valve Cover
5	YSFAH4-05	67023	Piston
6	YSFAH4-06	67024	Cylinder
7	YSFAH4-07	67025	Locking Cover
8	YSFAH4-08	67027	Spring
9	YSFAH4-09	67034	Trigger

KEY No.	PART No.	STOCK No.	DESCRIPTION
10	YSFAH4-10	67035	Pin
11	YSFAH4-11	67036	O-Ring
12	YSFAH4-12	67037	Gasket
13	YSFAH4-13	67045	Valve Pole
14	YSFAH4-14	67055	Switch Valve
15	YSFAH4-15	67056	Off Valve Spring
16	YSFAH4-16	67057	Muffle Cover
17	YSFAH4-17	67064	Air Inlet Connector
18	YSFAH4-18	67072	Muffle Cotton

Helpline: (023) 8049 4344. Sales Desk: (023) 8049 4333. General Enquiries: (023) 8026 6355.

DRAPER TOOLS LTD, HURSLEY ROAD, CHANDLER'S FORD, EASTLEIGH, HANTS. SO53 1YF. U.K website: www.drapertools.com e-mail: sales@drapertools.com